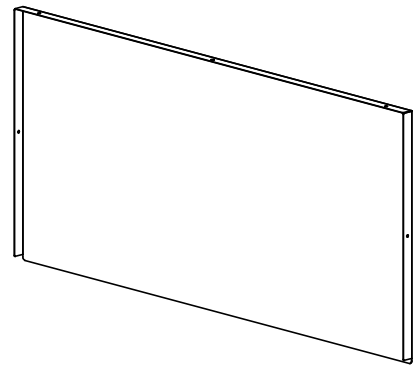
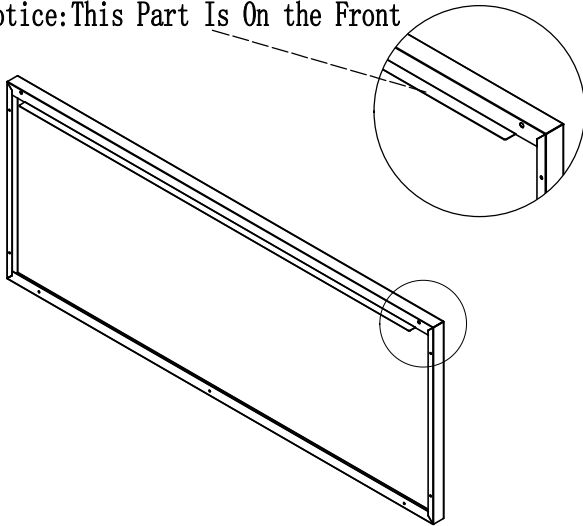


A\*2

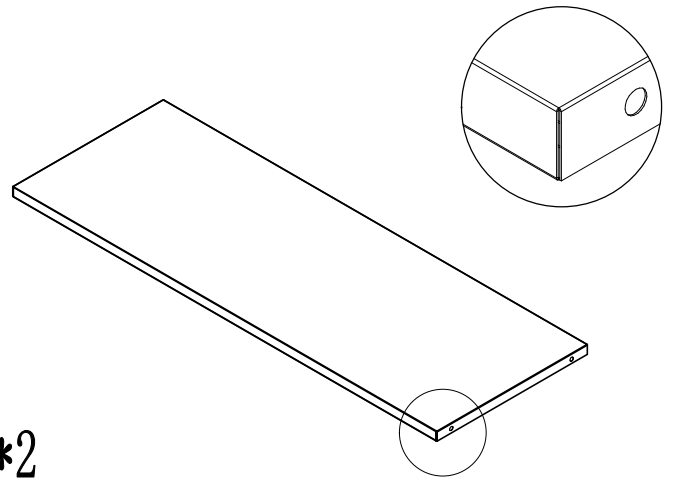


B\*1

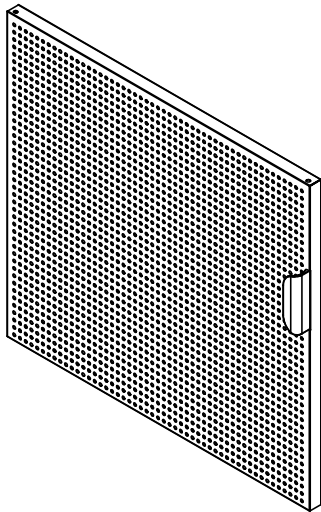
Notice: This Part Is On the Front



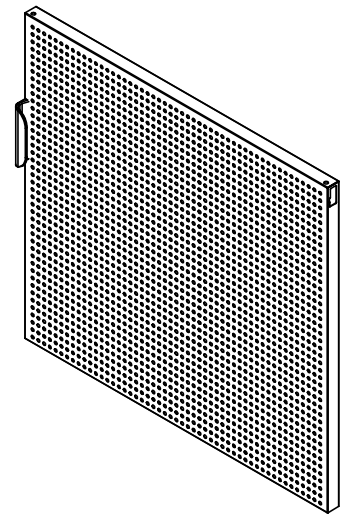
C\*1



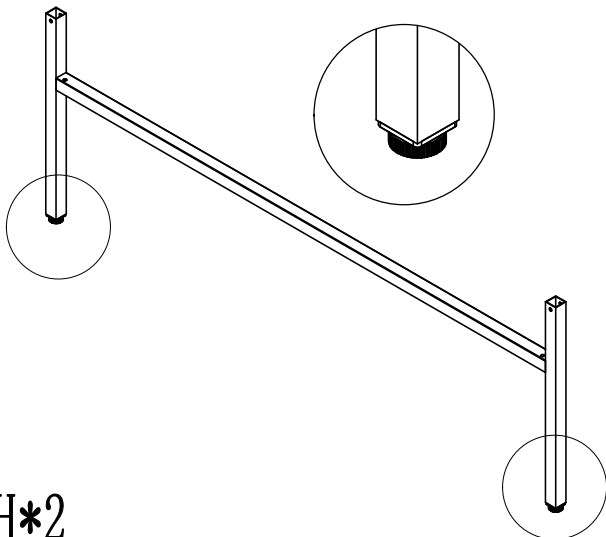
D\*2



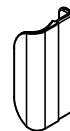
E\*1



F\*1



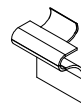
H\*2



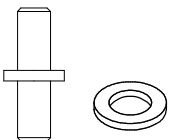
G\*2



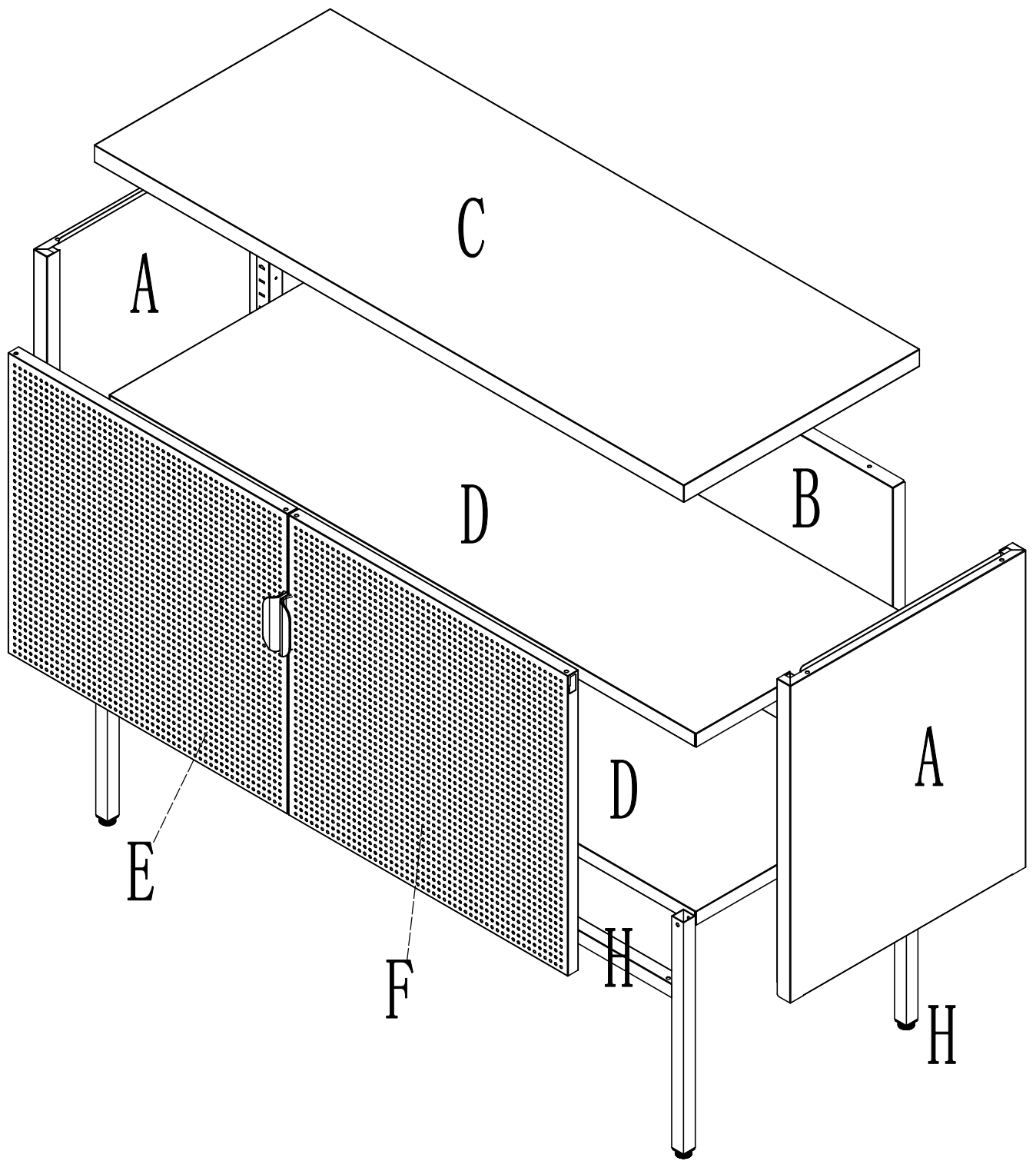
I\*17



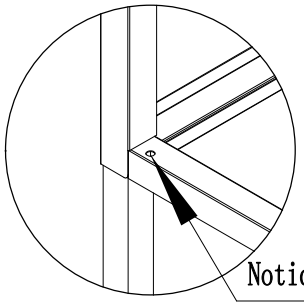
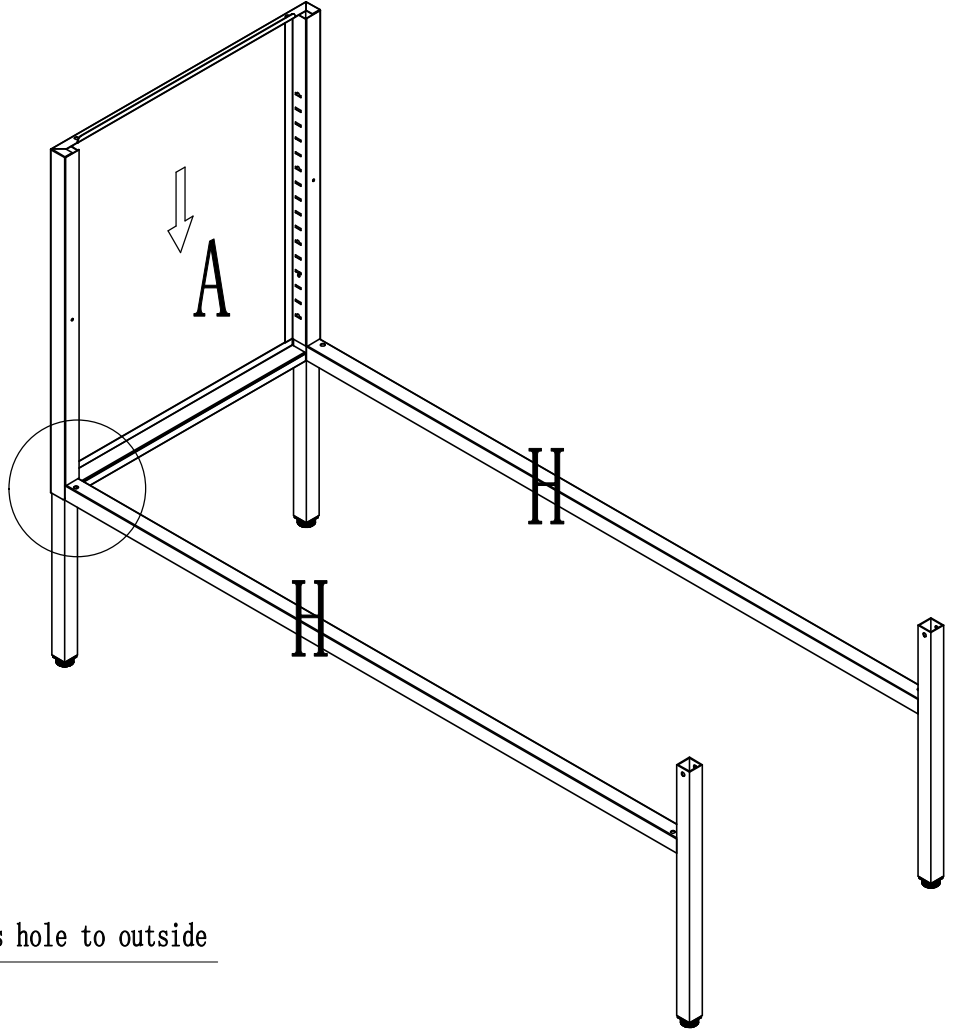
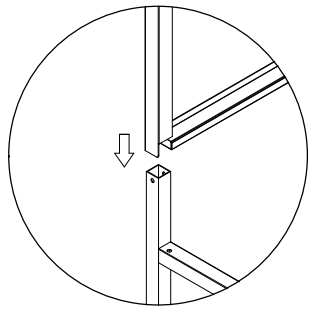
L\*4



K\*2

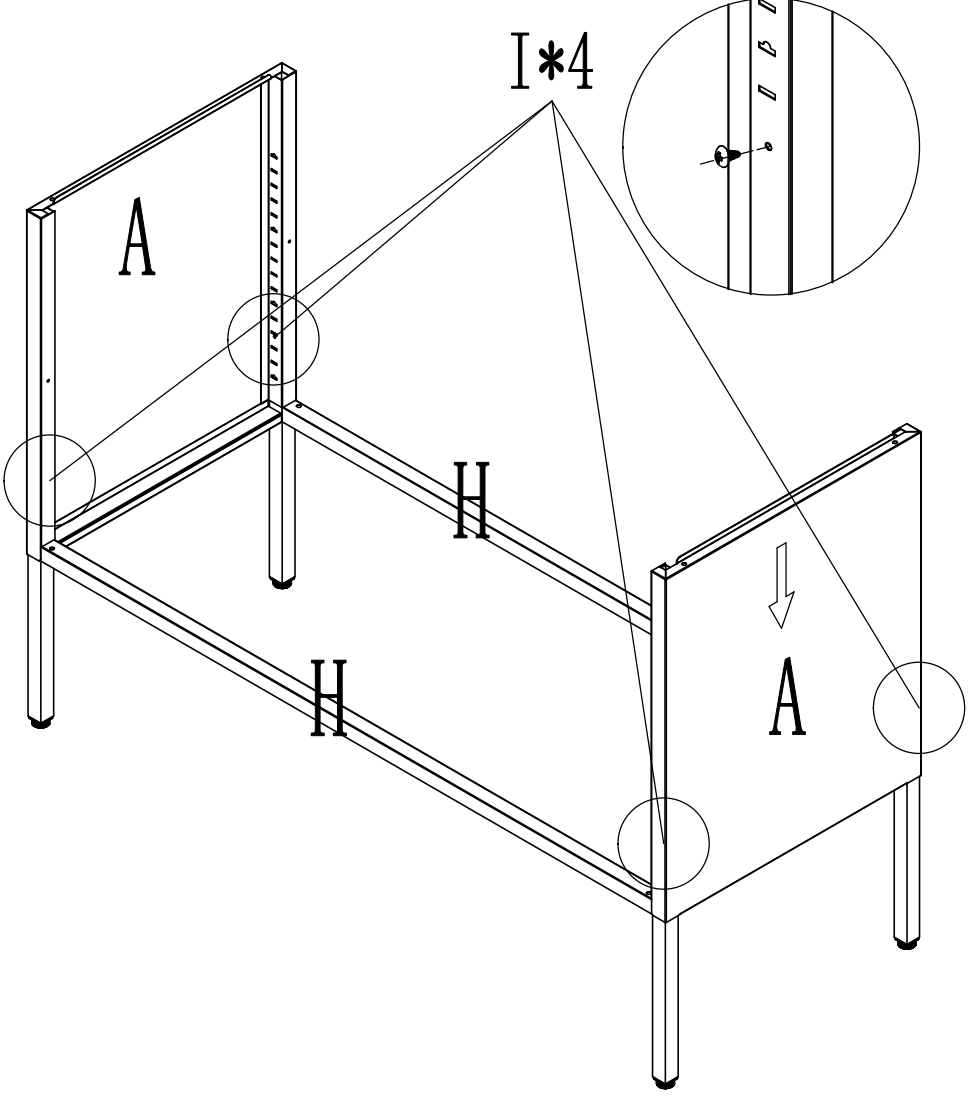


1

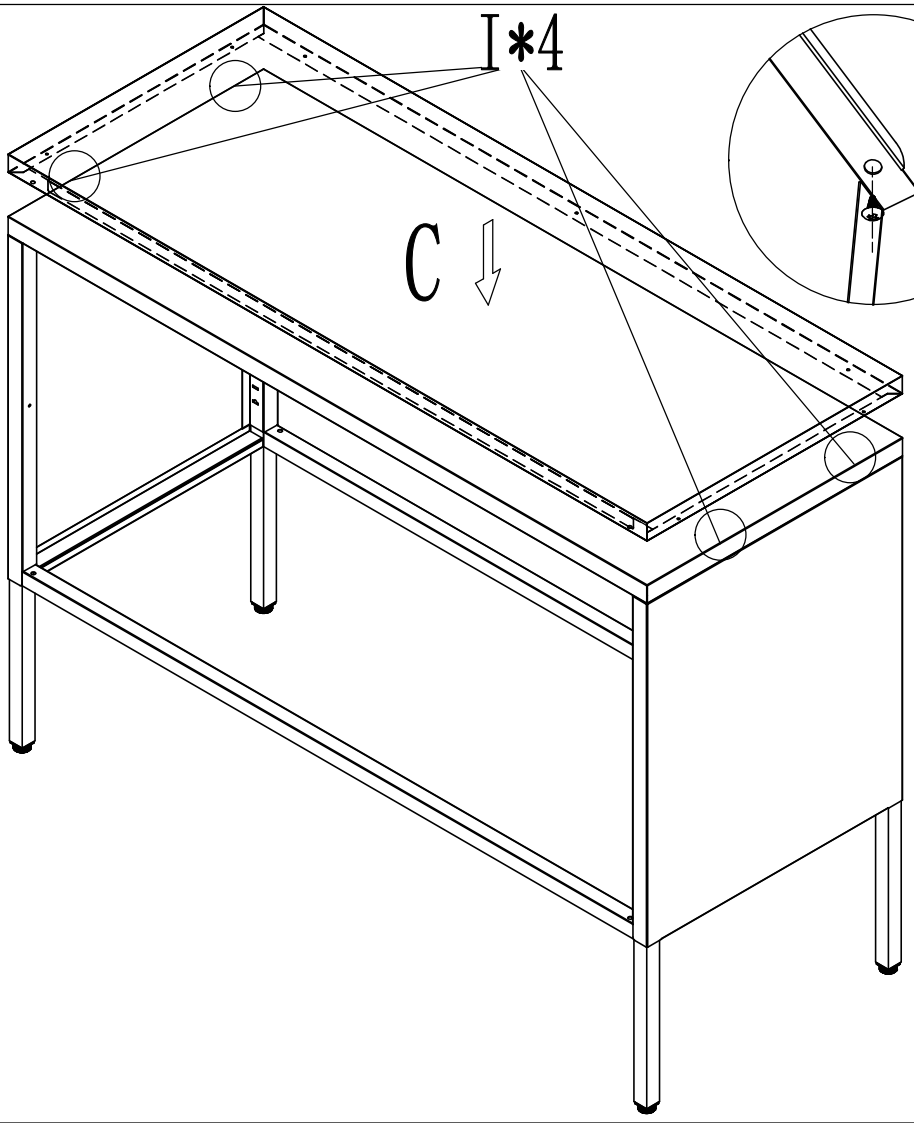


Notice: This hole to outside

2

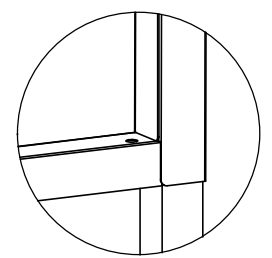
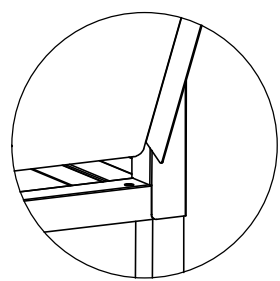
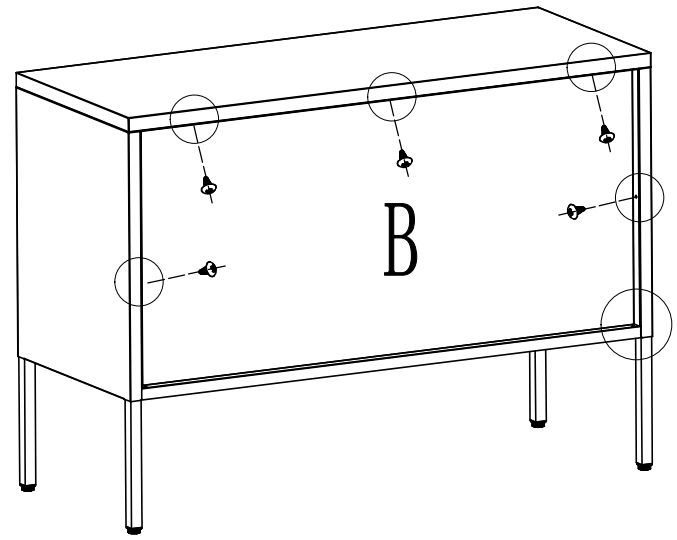
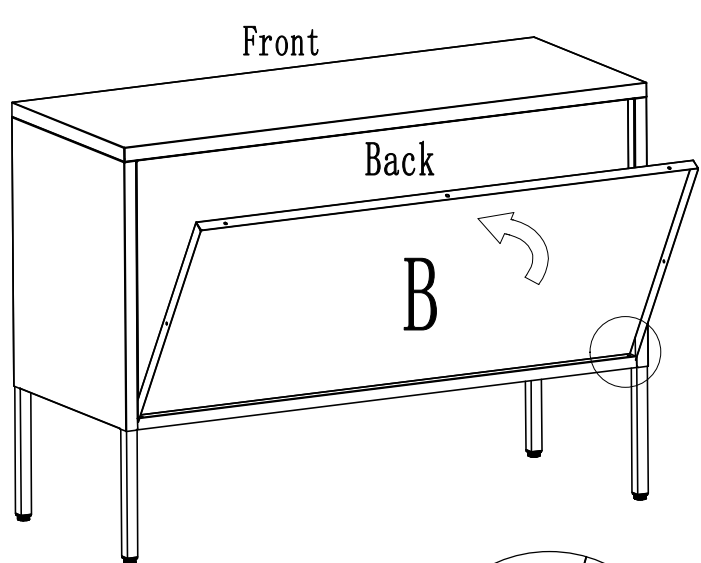


3

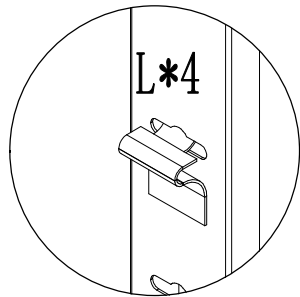


Notice: This part is on the front

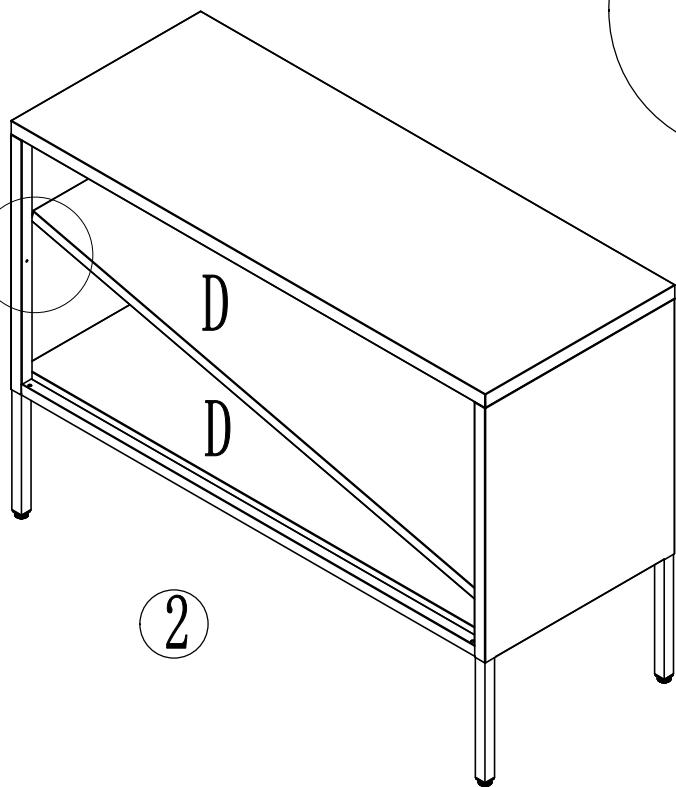
4



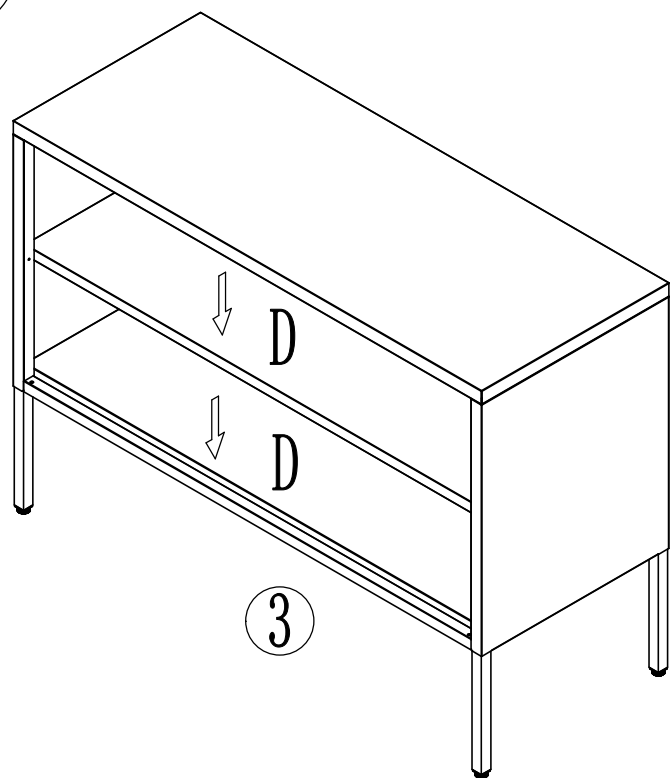
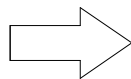
5



1

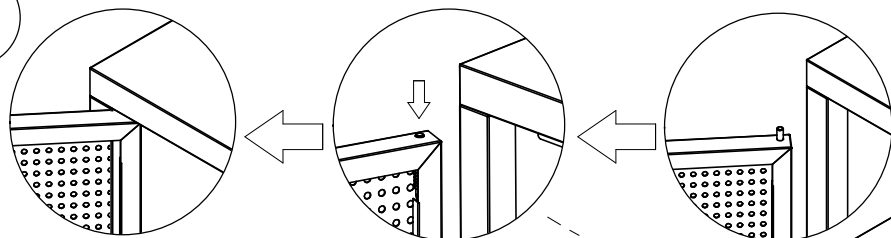


2

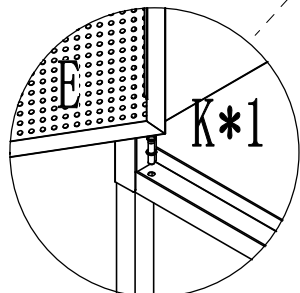
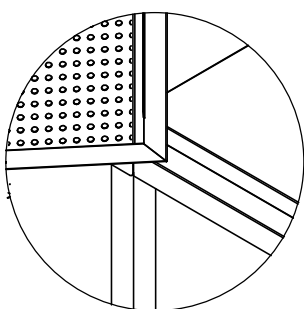
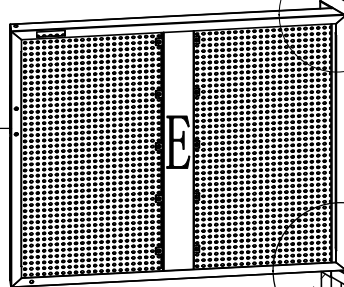
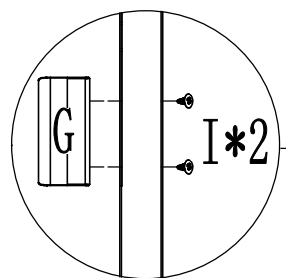


3

6



2



1

