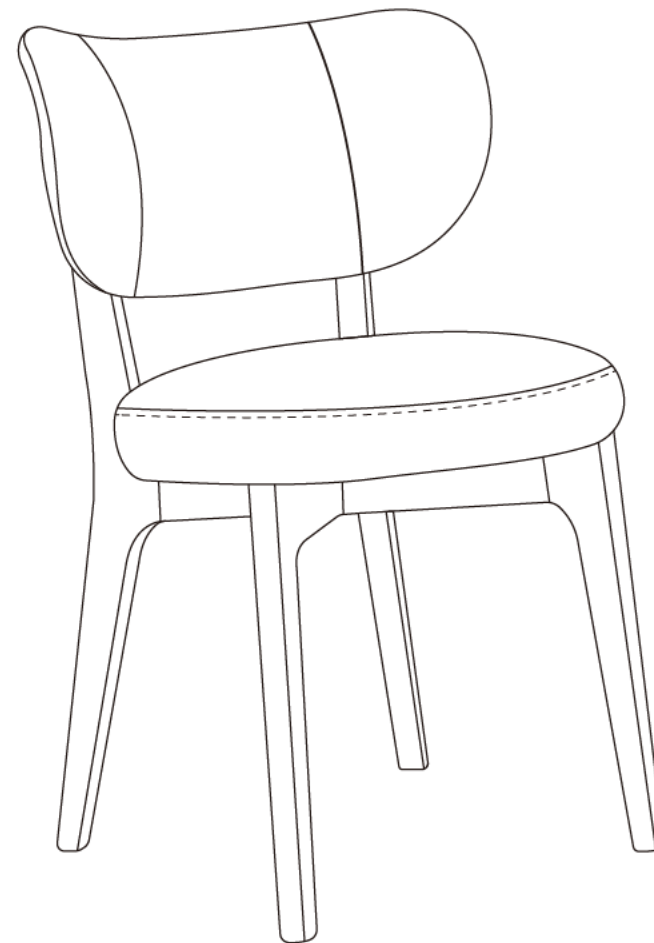


ASSEMBLY INSTRUCTIONS



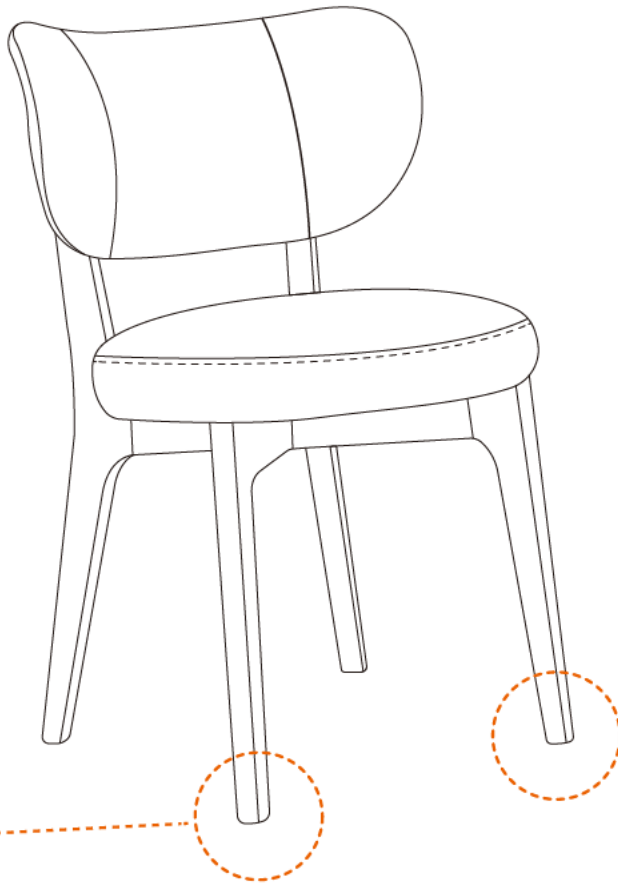
Be sure to keep spare parts.

**If screws or nails of a product are damaged or lost,
or screws or nails of a subsequent product are
damaged or aged, spare parts can be used to replace them.**

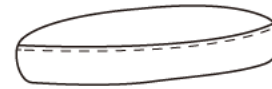
SPARE PARTS

Adjust to horizontal

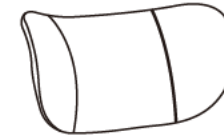
If the foot is still not stable after installation, adjust the front leg nail to adjust



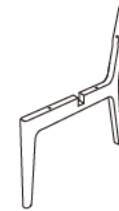
Front foot nails are adjustable, rear foot nails are not adjustable



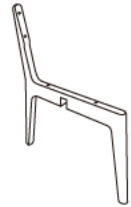
Ax1



Bx1



Cx1



Dx1



Ex1

(Φ6+Φ10)*2MM

lx8+1extra

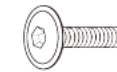


**M6x20MM
Fx4+1extra**



(Φ6+Φ13)*1MM

Jx4+1extra

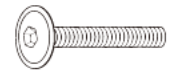


**M6x40MM
Gx4+1extra**



(Φ6+Φ16)*1.5MM

Kx4+1extra



**M6x60MM
Hx4+1extra**

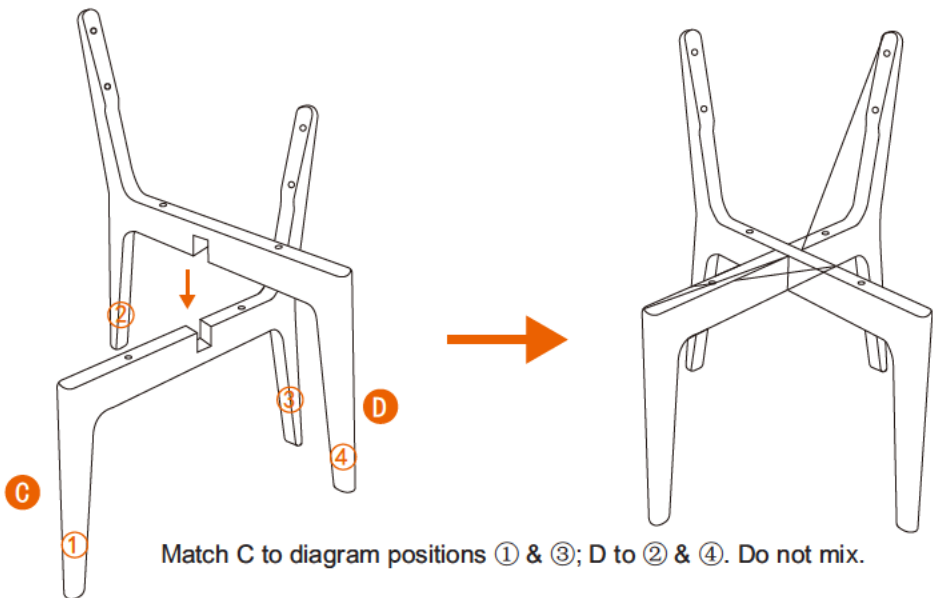


Lx1

1

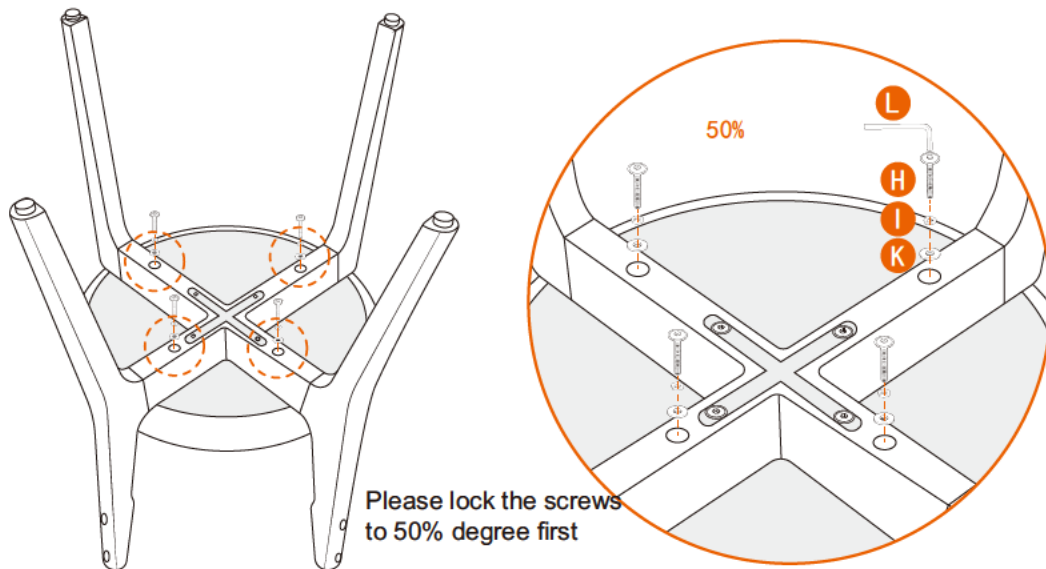
Cx1

Dx1



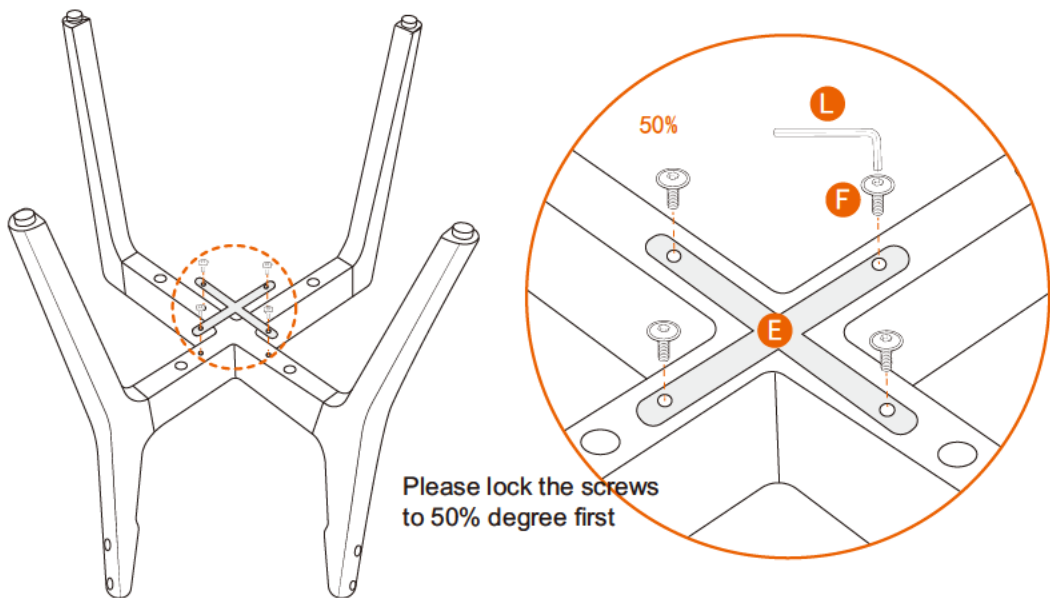
3

Ax1



2

Ex1



4

Bx1

