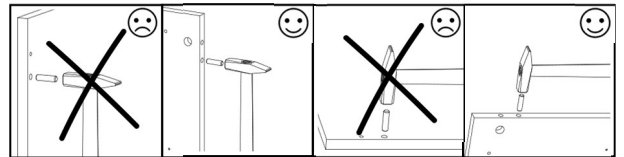
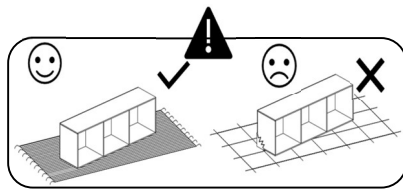
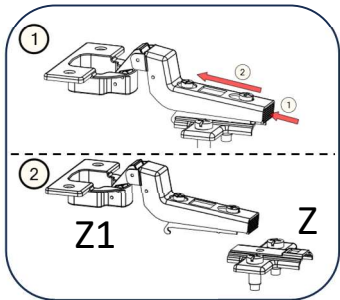
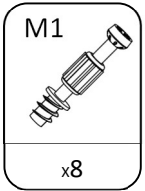
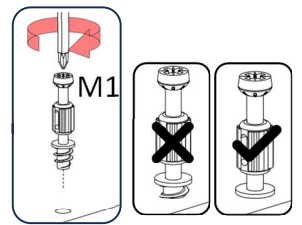
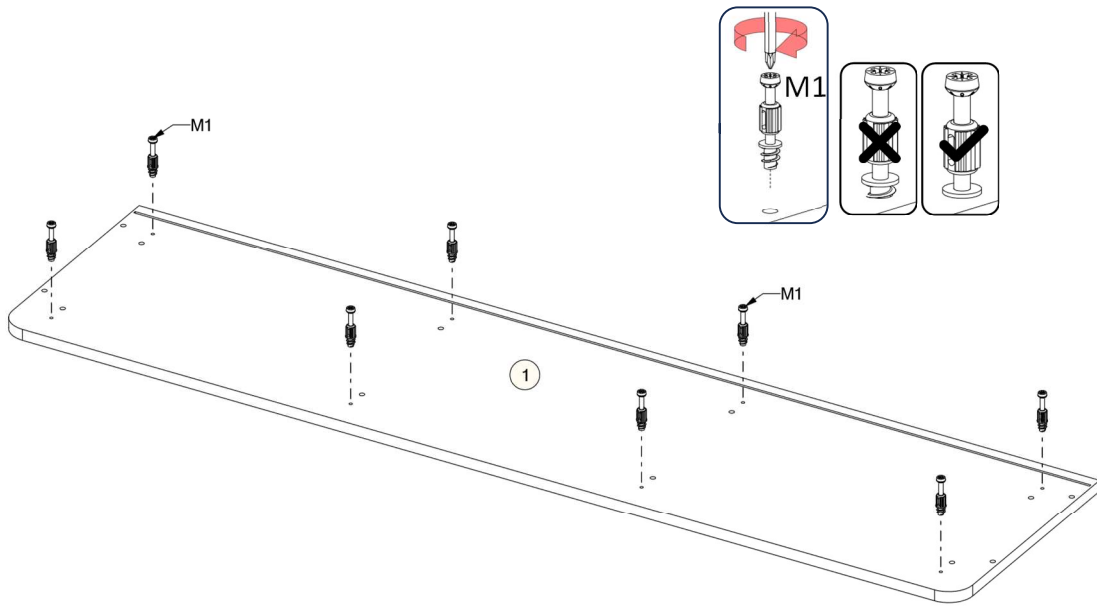


No	T(mm)	L(mm)	W(mm)	pcs.
1	18	1598	400	1
2	18	1598	400	1
3	16	600	333	2
4	66	600	66	2
5	16	600	355	1
6	16	600	355	1
7	16	600	355	1
8	16	600	355	1
9	16	481	355	2
10	16	467	355	1
11	18	592	486	2
12	18	592	480	1
13	3	609	505	2
14	3	609	484	1

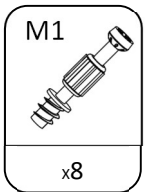
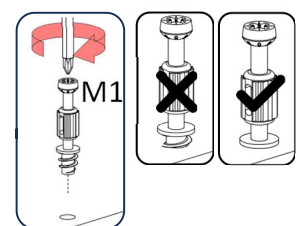
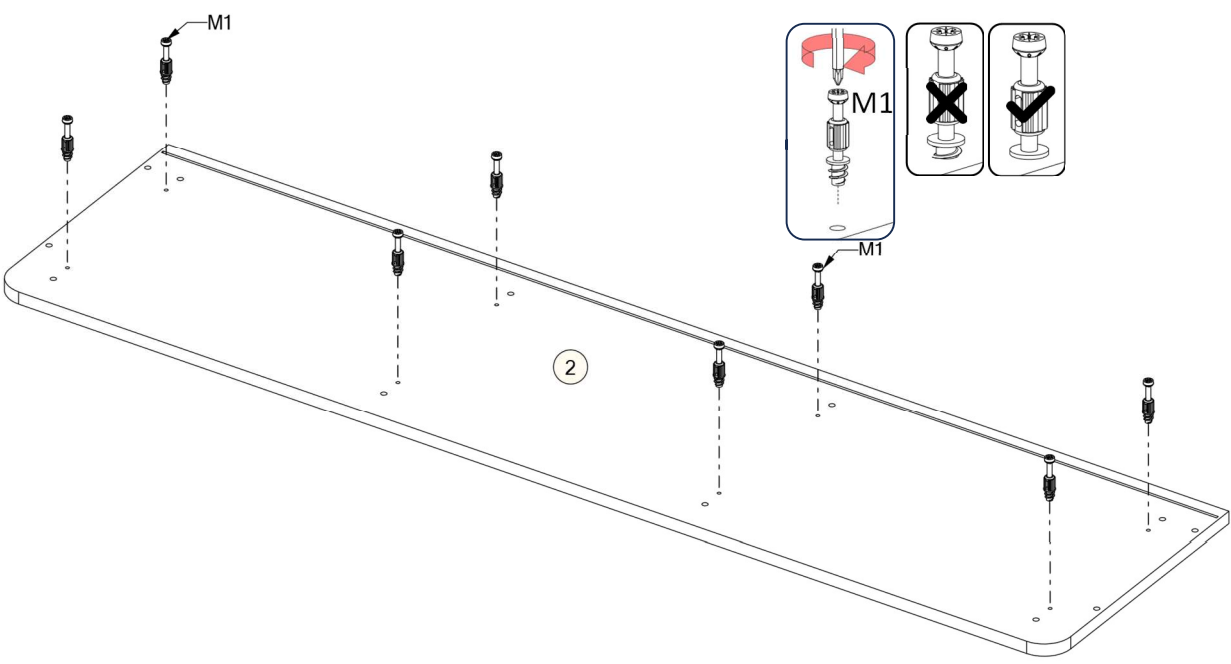


<p>K</p> <p>8x30</p> <p>x30</p>	<p>M1</p> <p>x20</p>	<p>ZM</p> <p>x20</p>	<p>E2</p> <p>6,3x13</p> <p>x24</p>	<p>Z2</p> <p>x2</p>	<p>D6</p> <p>3x16</p> <p>x12</p>	<p>W</p> <p>x1</p>	<p>Z</p> <p>x6</p>	<p>U</p> <p>x3</p>	<p>D5</p> <p>3x13</p> <p>x6</p>
<p>M</p> <p>x20</p>	<p>P</p> <p>x12</p>	<p>D4</p> <p>4x16</p> <p>x13</p>	<p>S</p> <p>x12</p>	<p>G</p> <p>2x20</p> <p>x14</p>	<p>Z1</p> <p>x4</p>	<p>BL</p> <p>x12</p>	<p>N</p> <p>x6</p>		

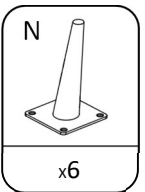
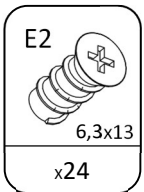
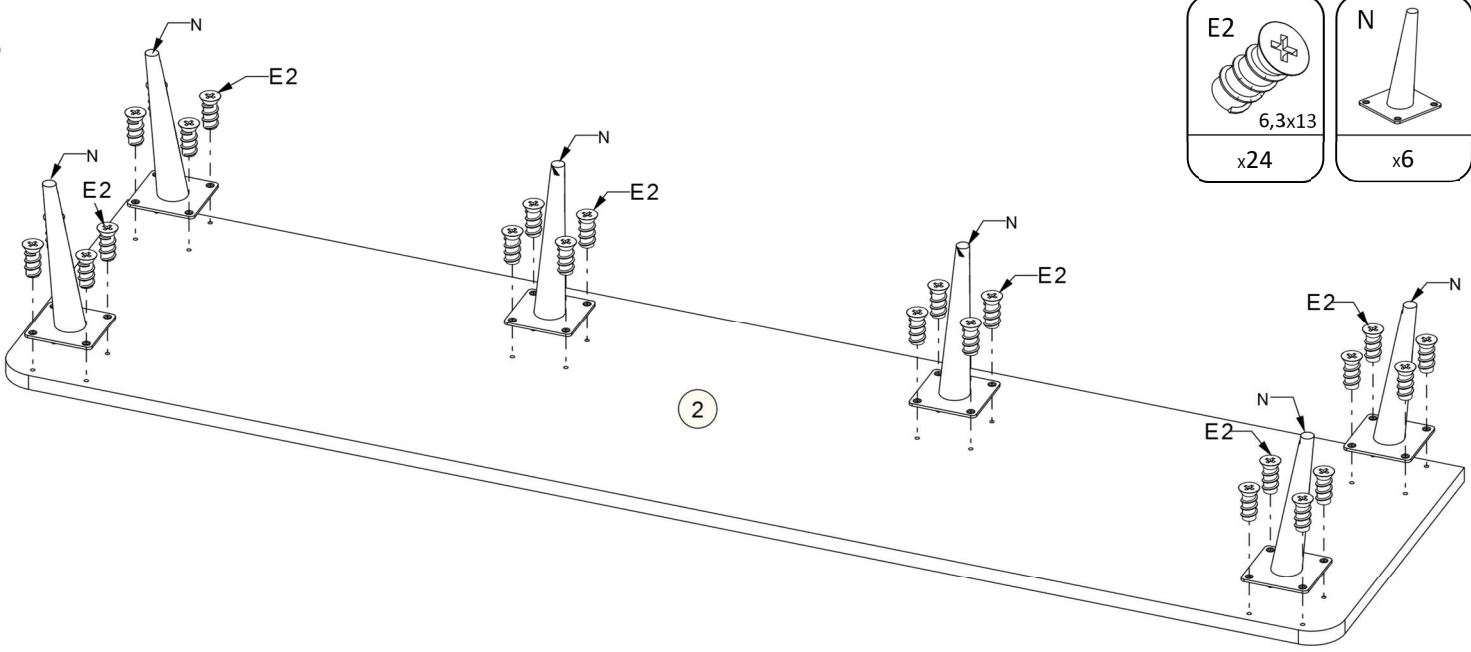
1



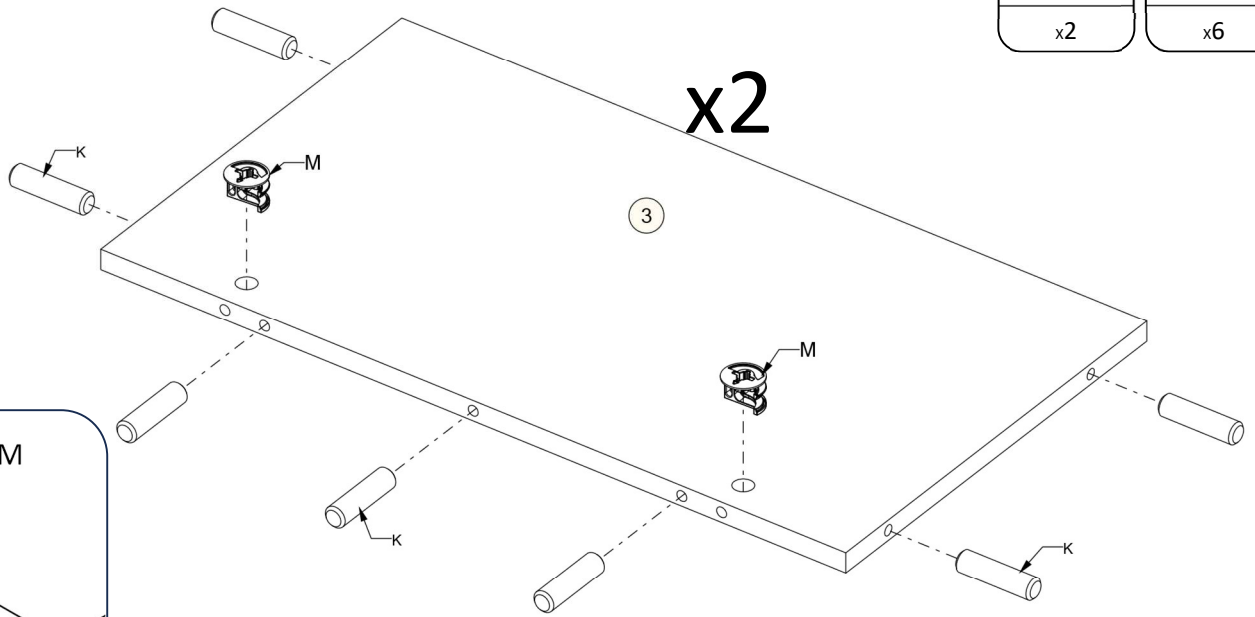
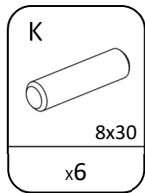
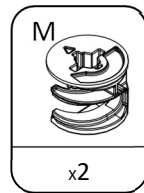
2



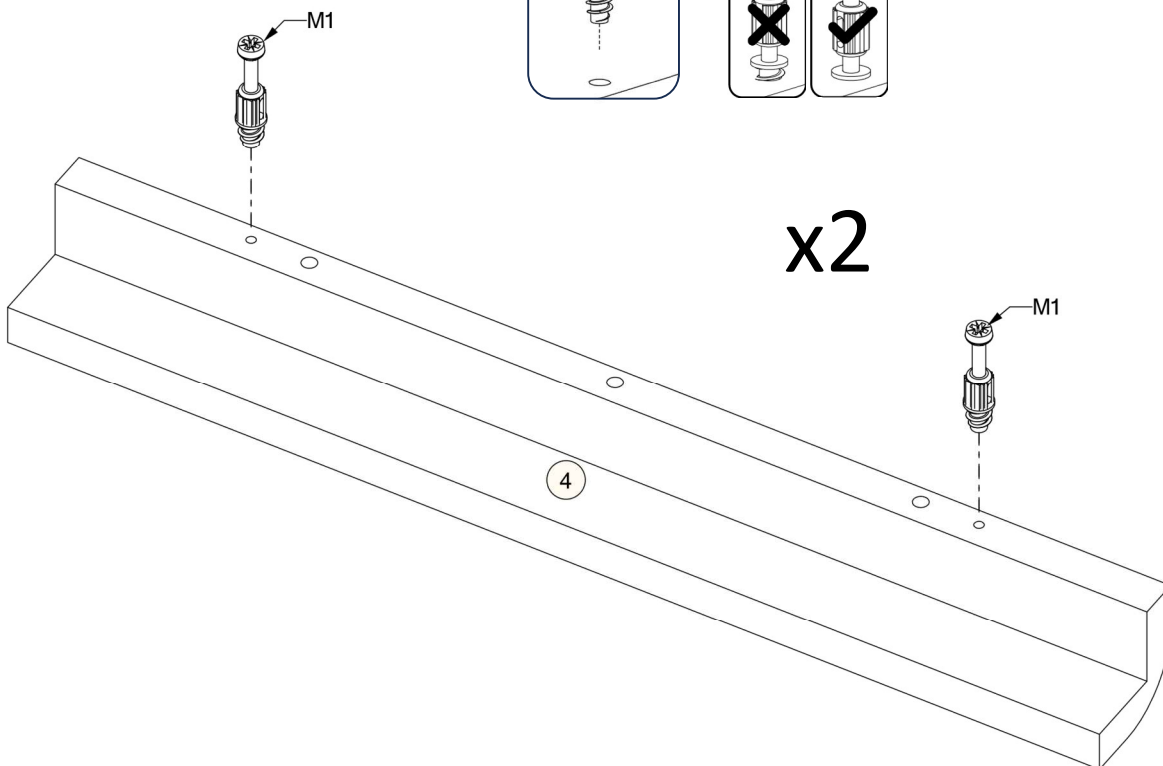
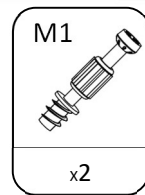
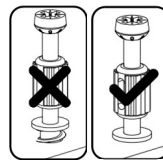
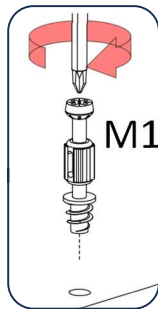
3



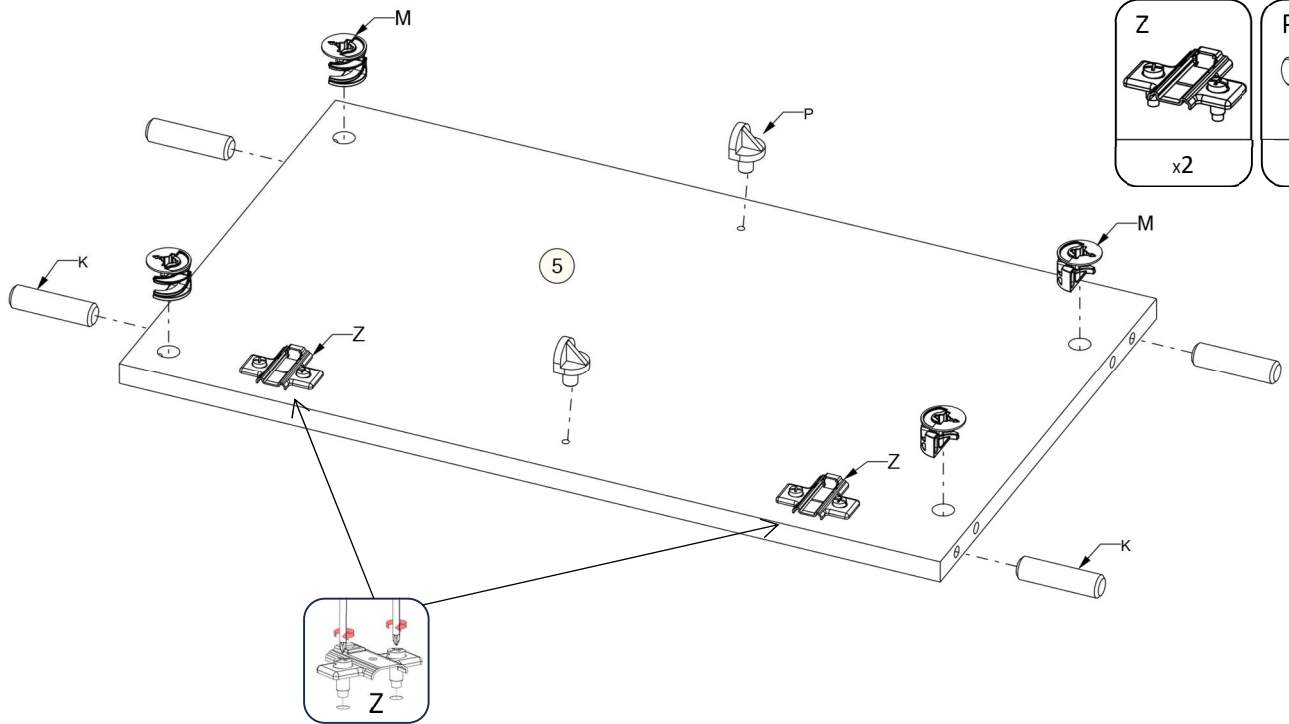
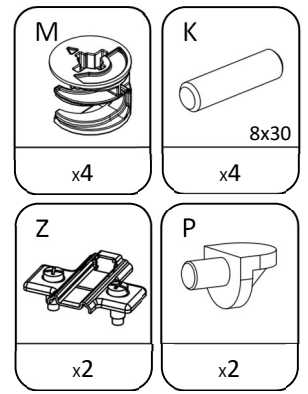
4



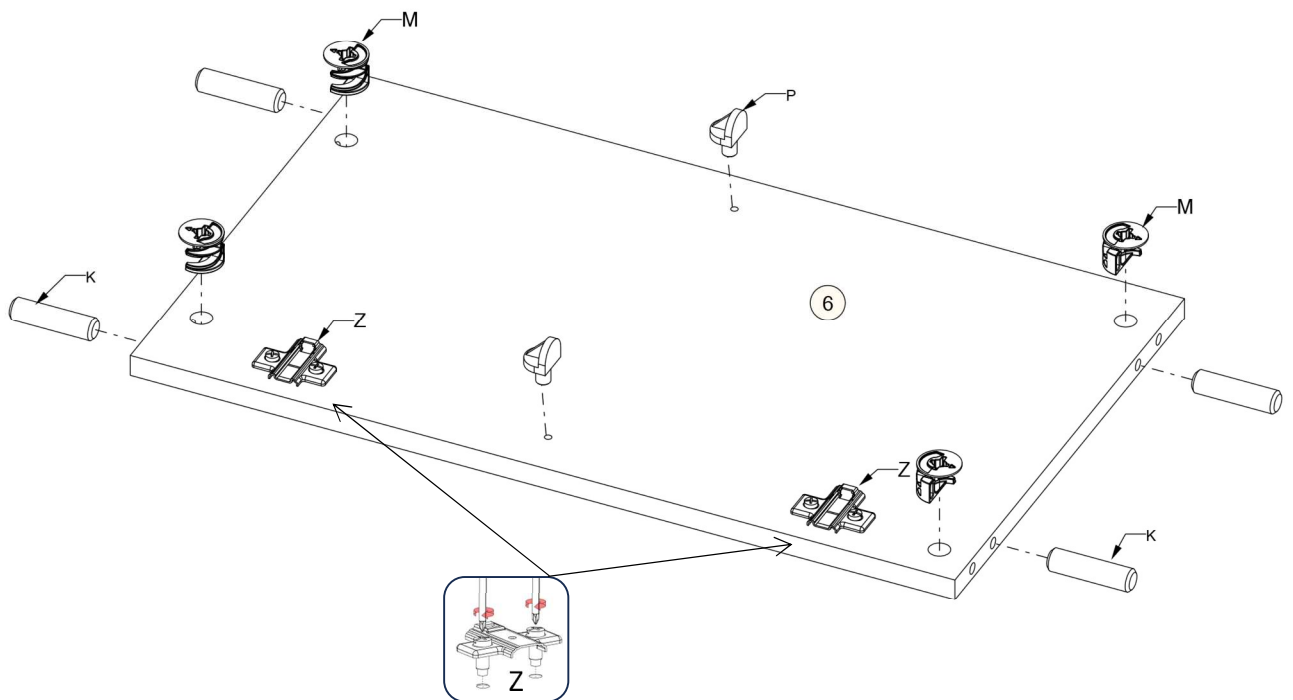
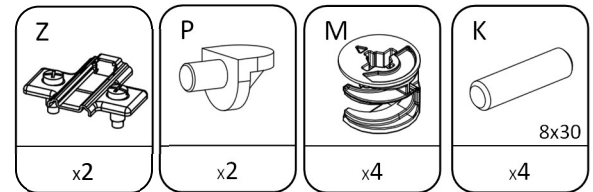
5



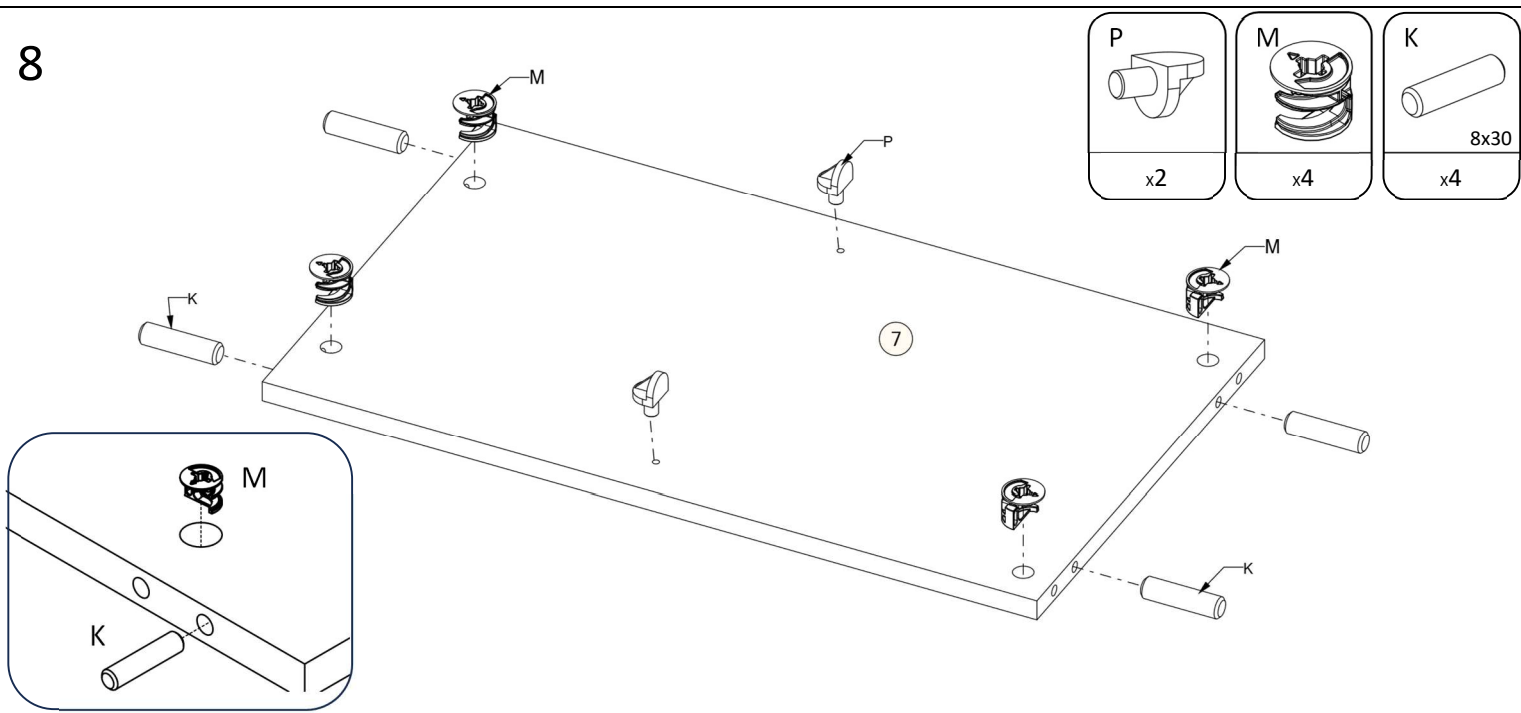
6



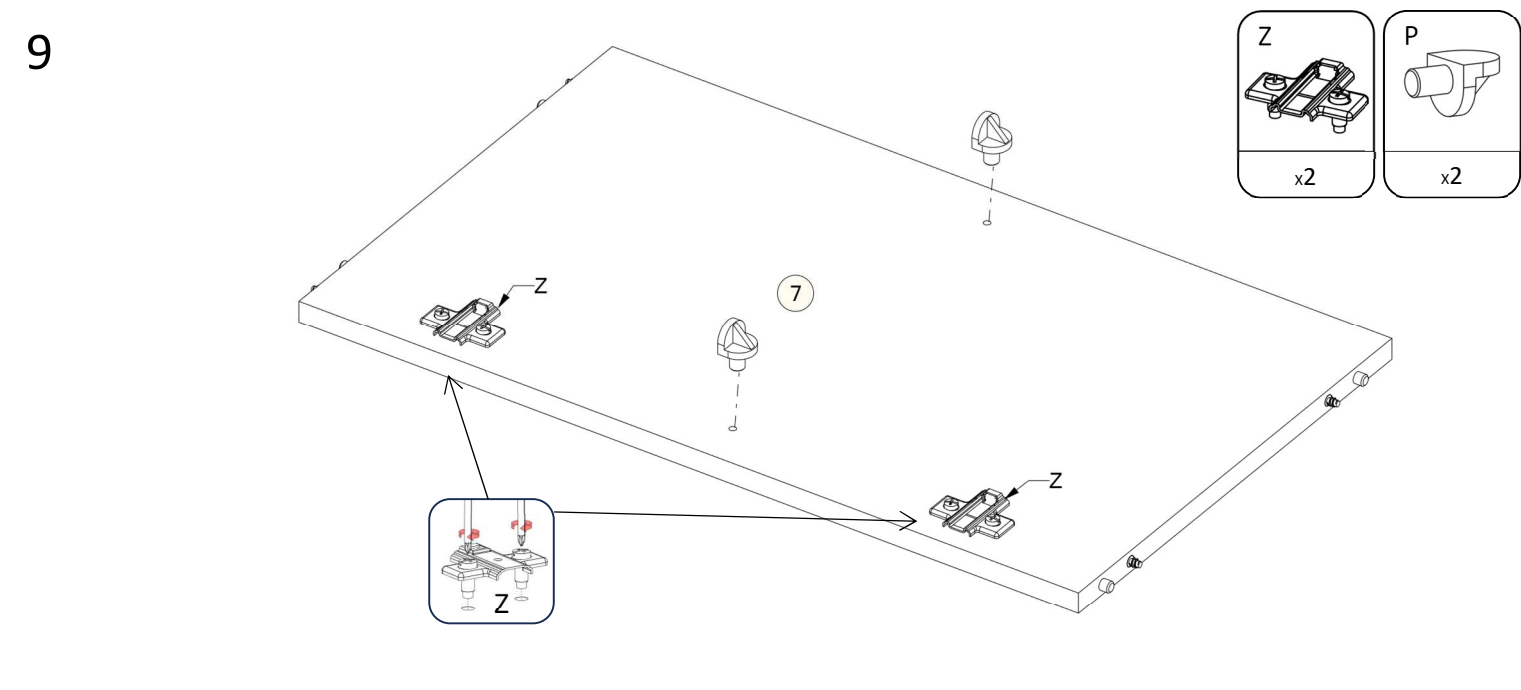
7



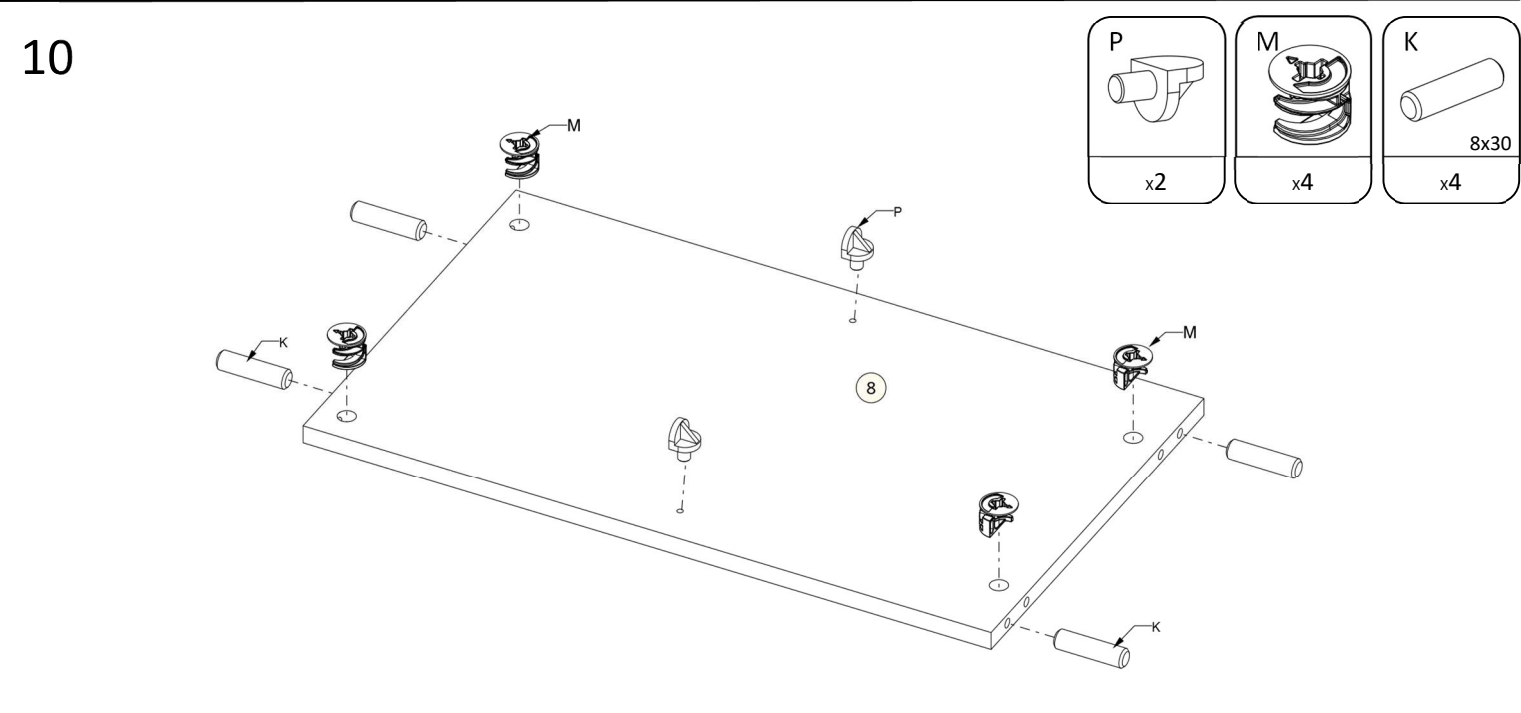
8



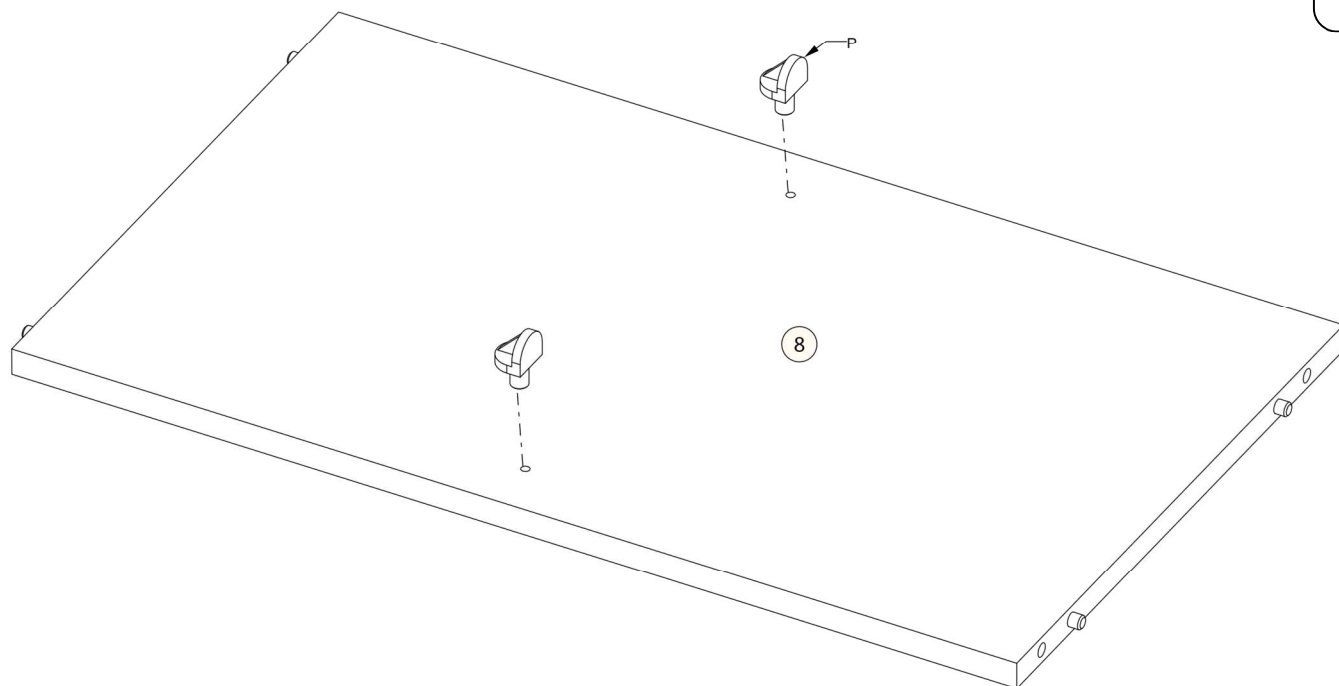
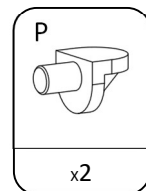
9



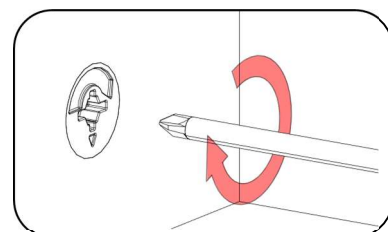
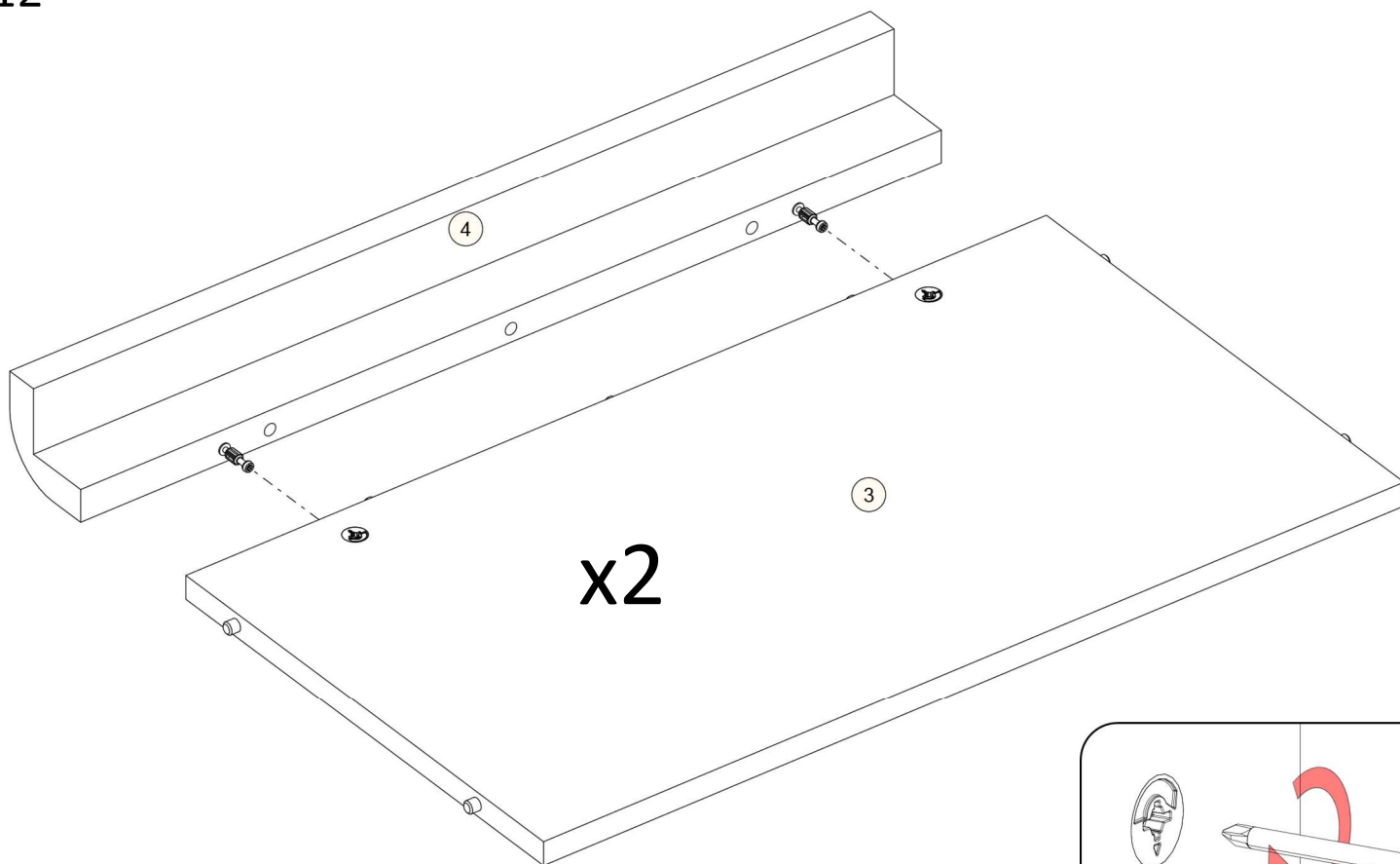
10



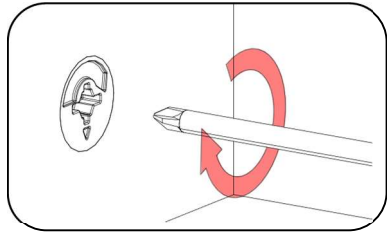
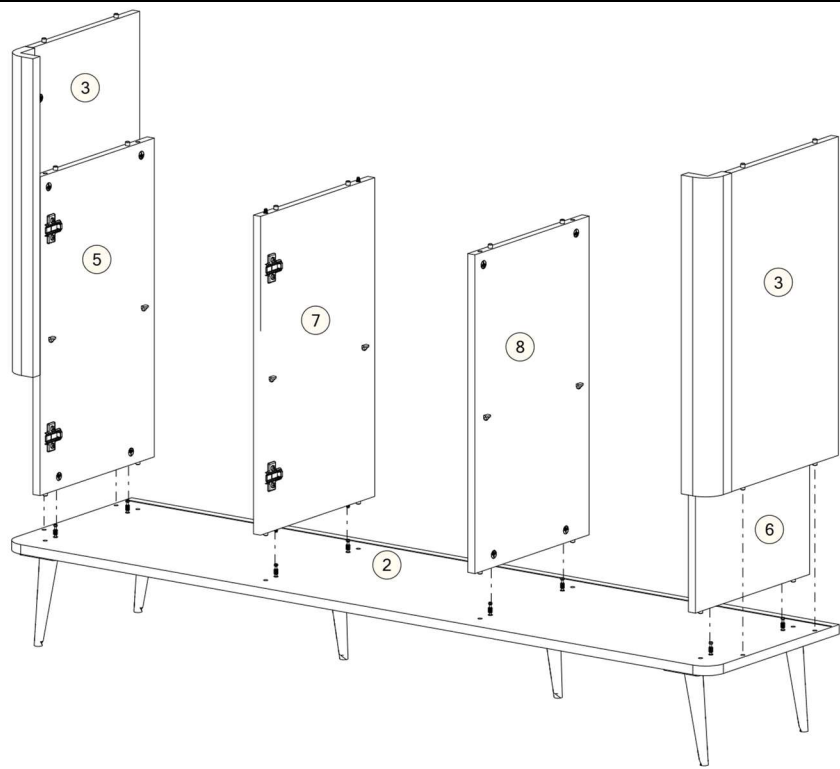
11



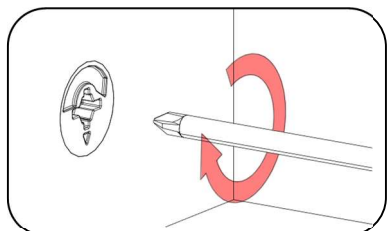
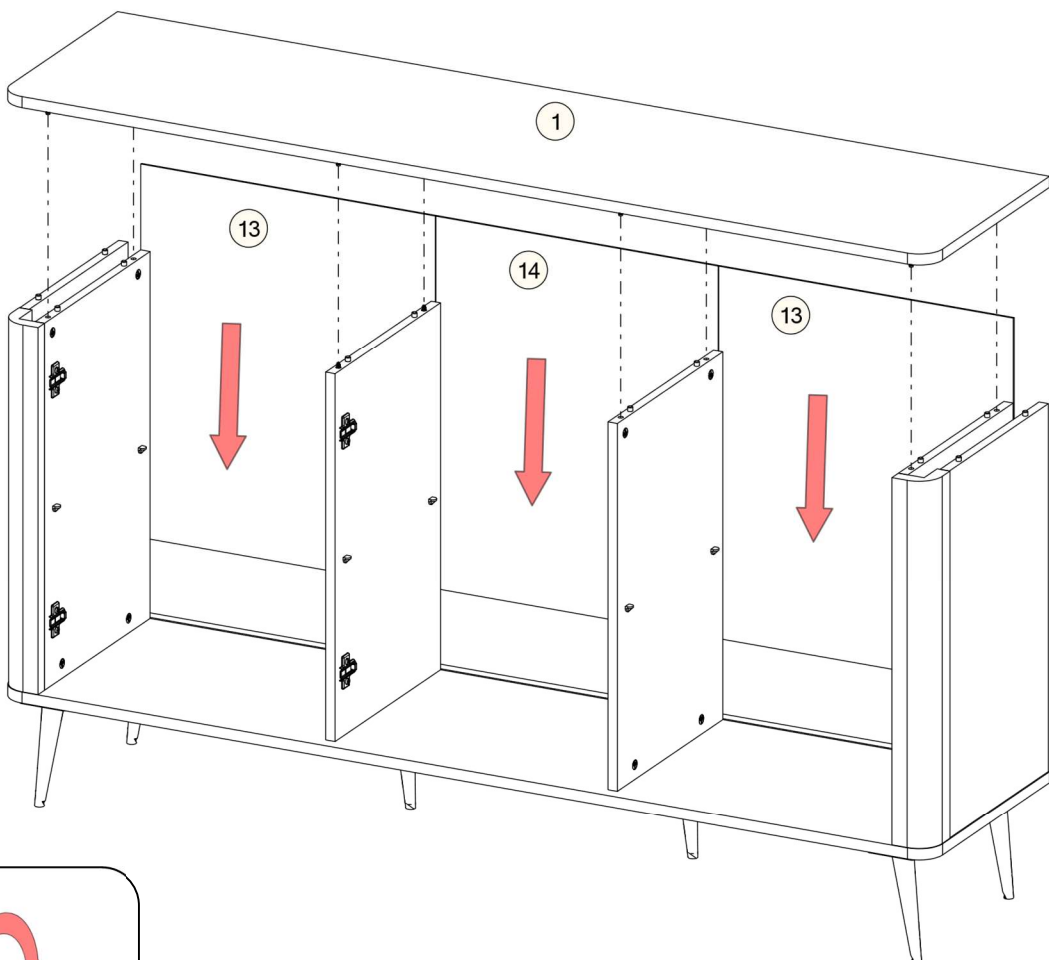
12



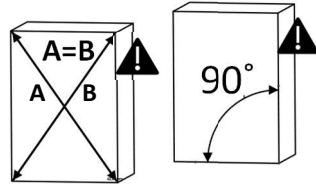
13



14

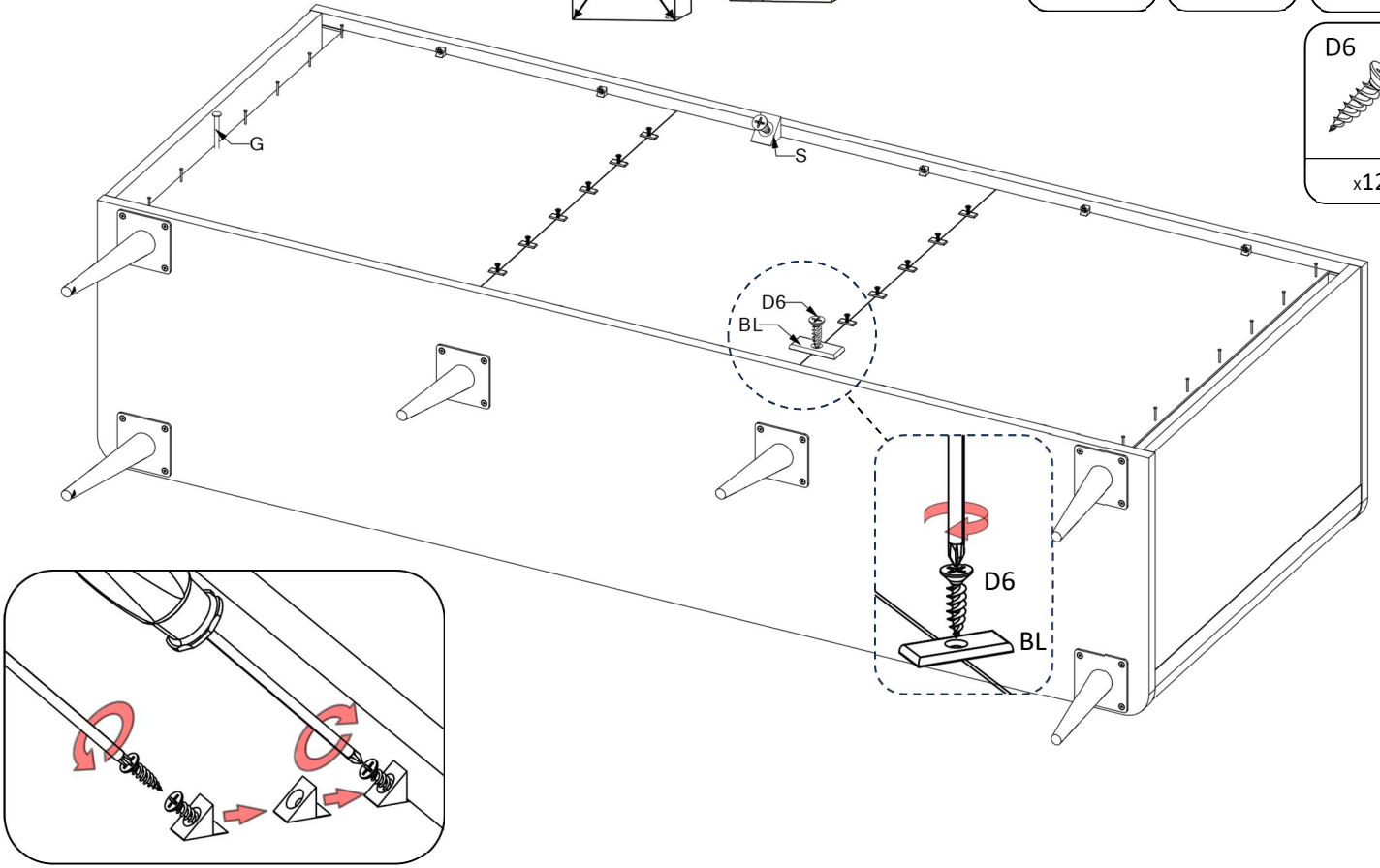


15



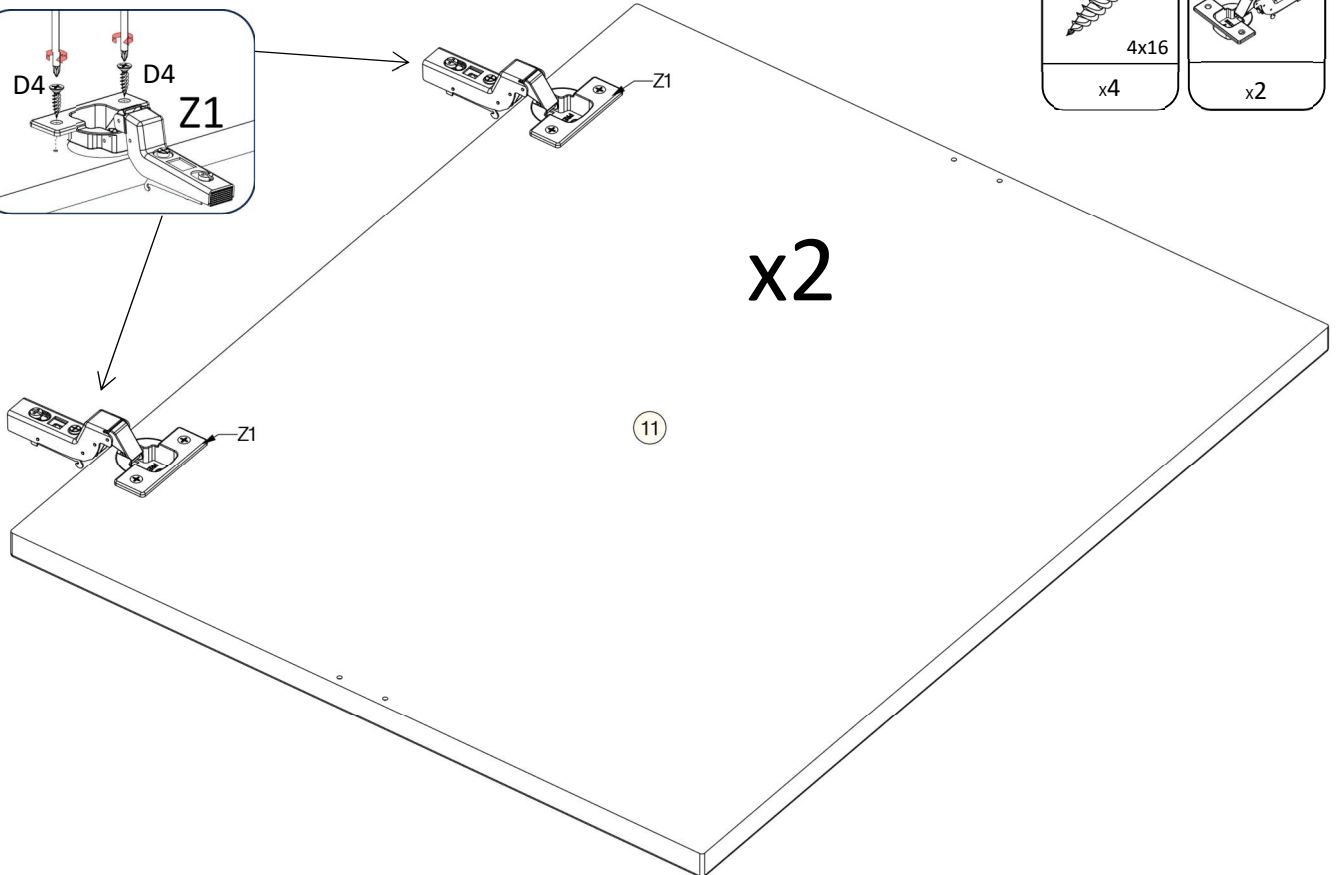
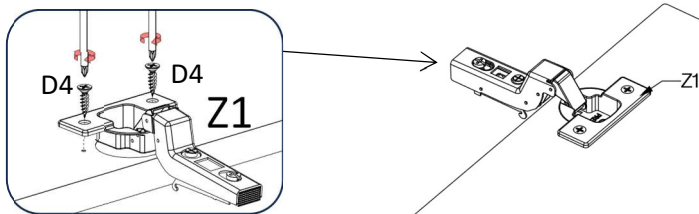
BL  x12	G  2x20 x14	S  x12
---------------	----------------------	--------------

D6  3x16 x12
-----------------------


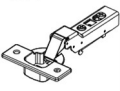


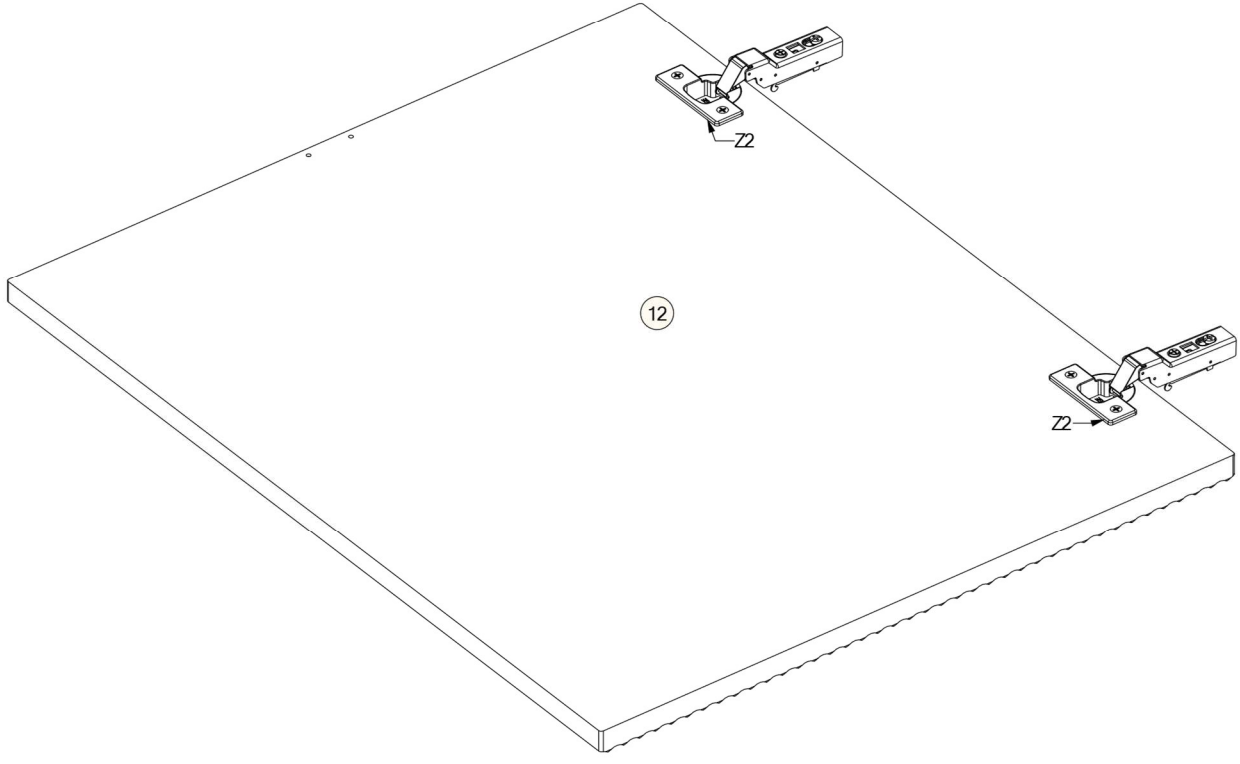
16

D4  4x16 x4	Z1  x2
----------------------	--------------

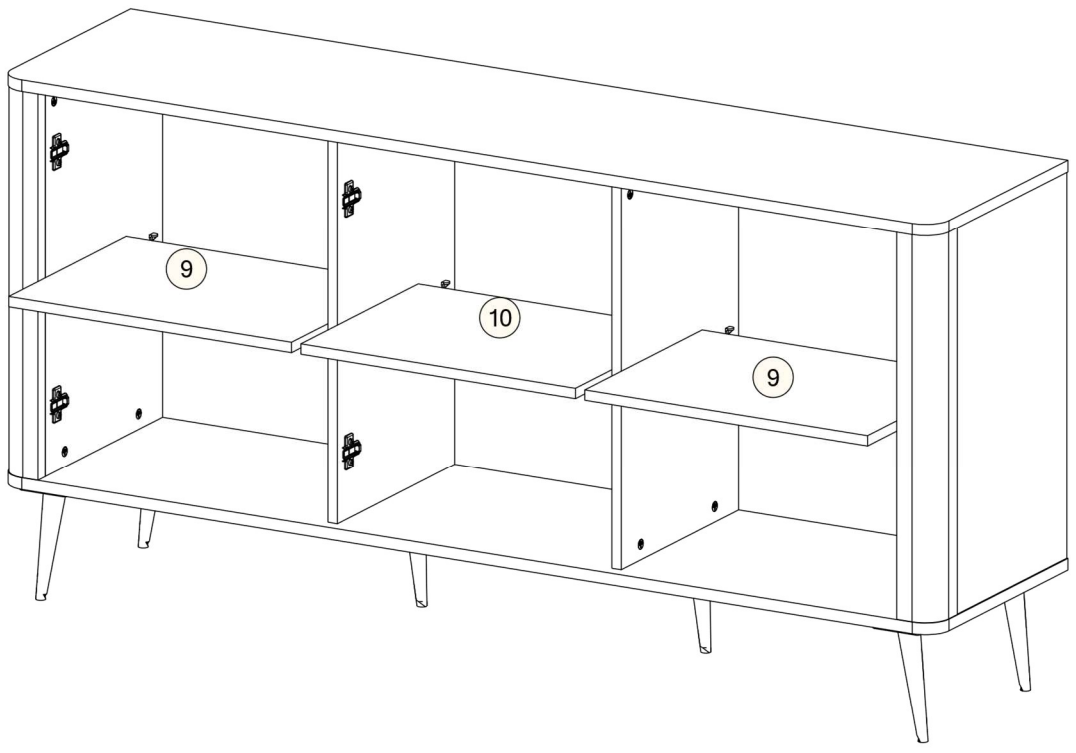


17

D4  4x16 x4	Z2  x2
---------------------------------------------------------------------------------------------------------	-------------------------------------------------------------------------------------------------



18



19

