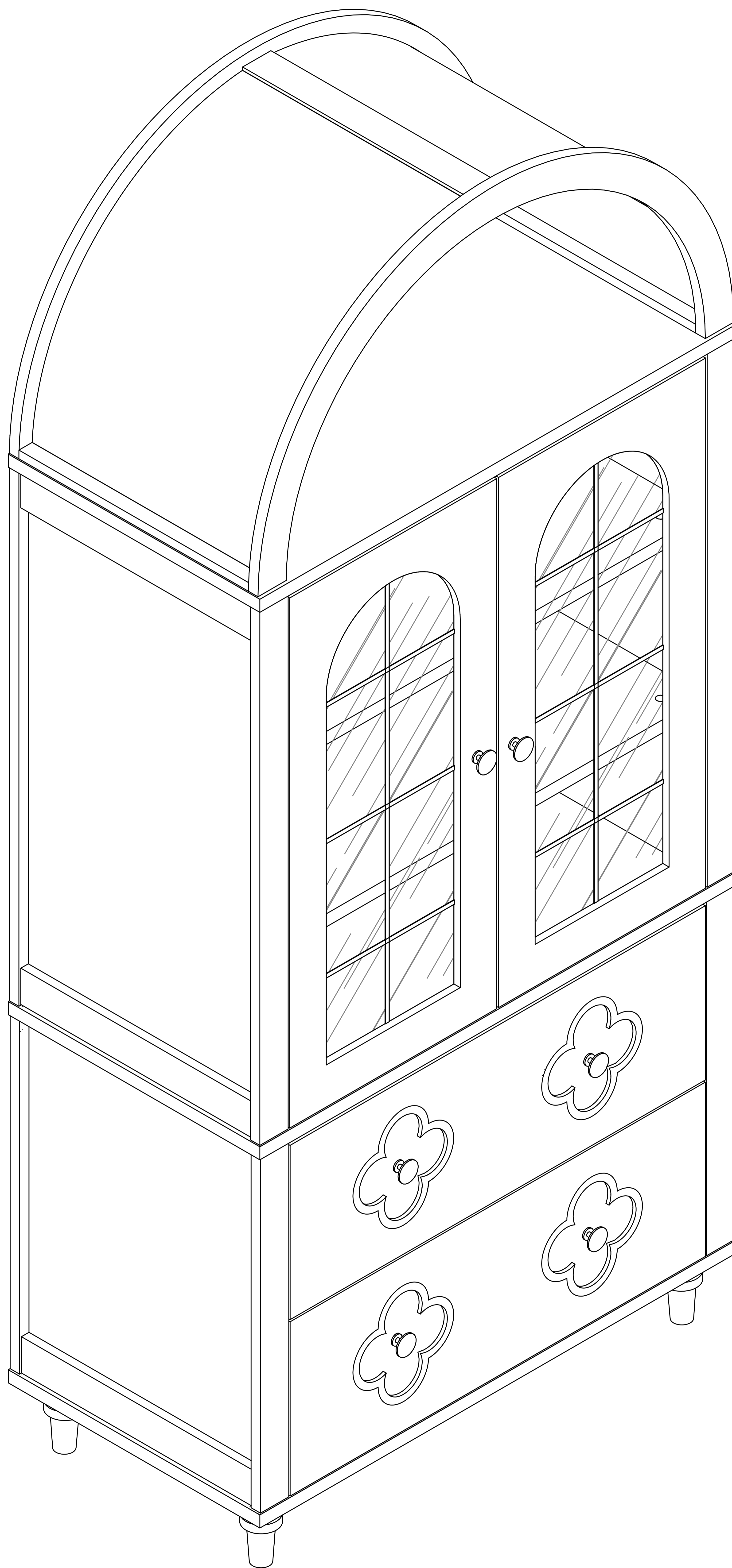


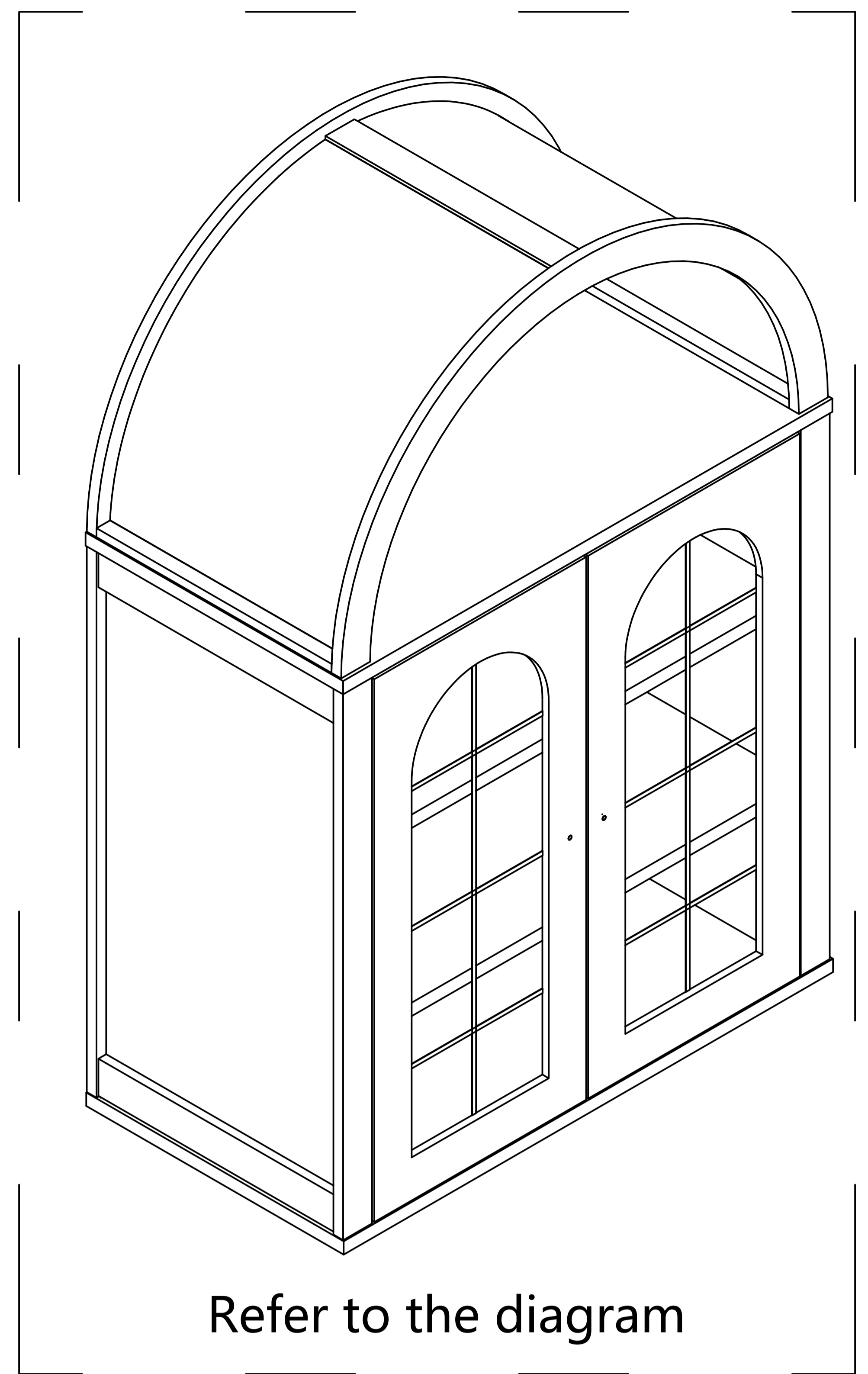
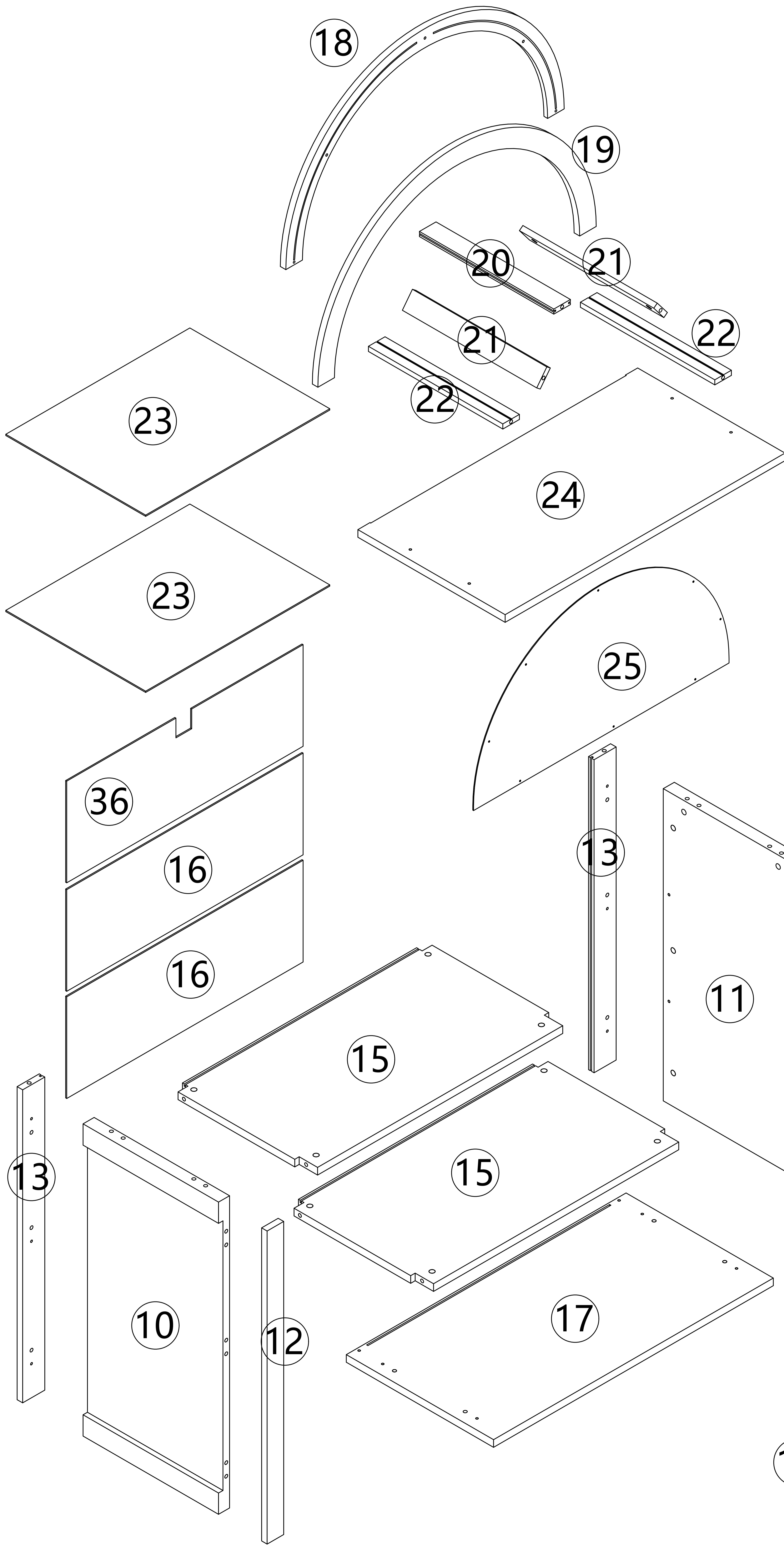
ASSEMBLY INSTRUCTIONS

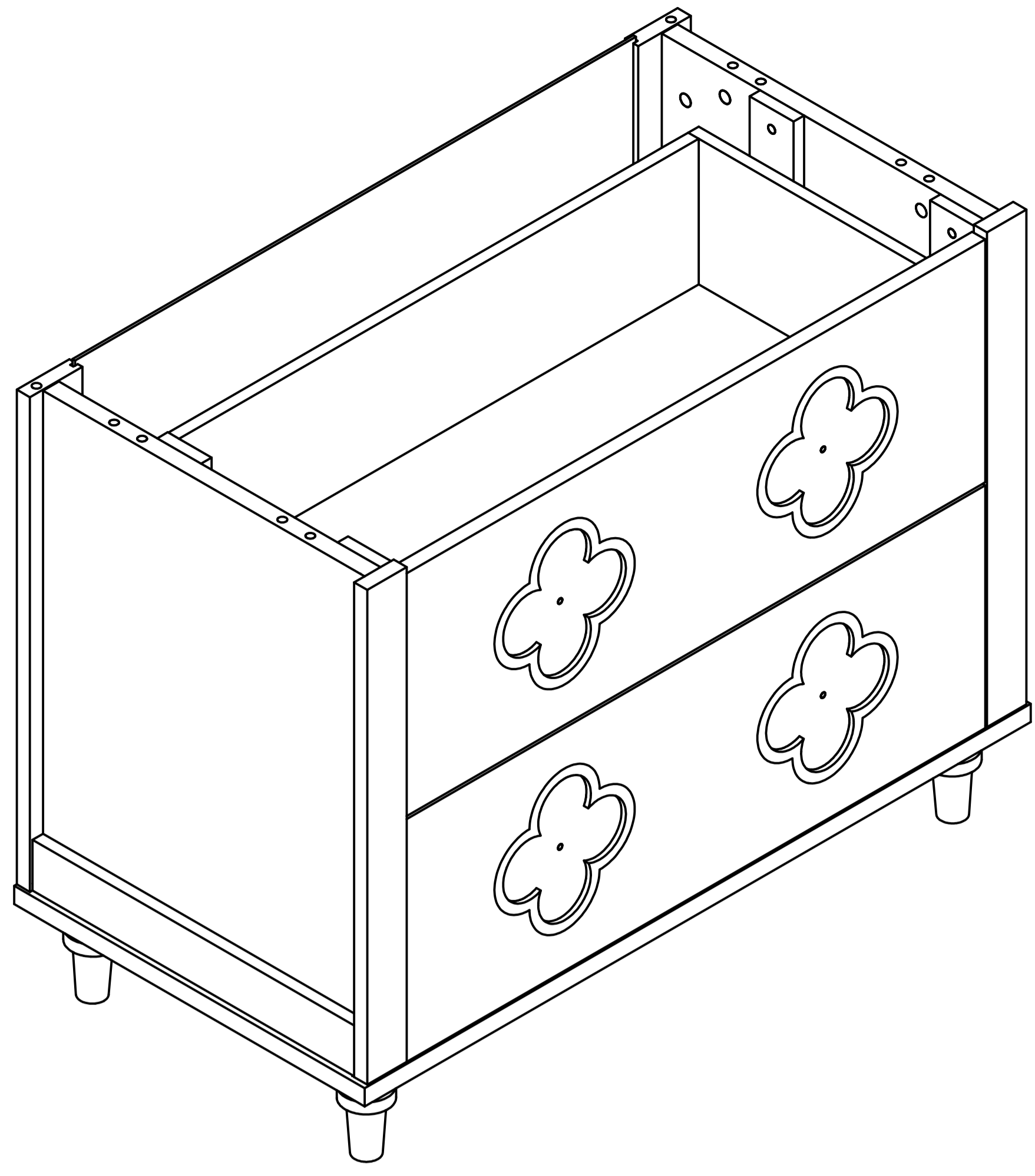
Arch Cabinet



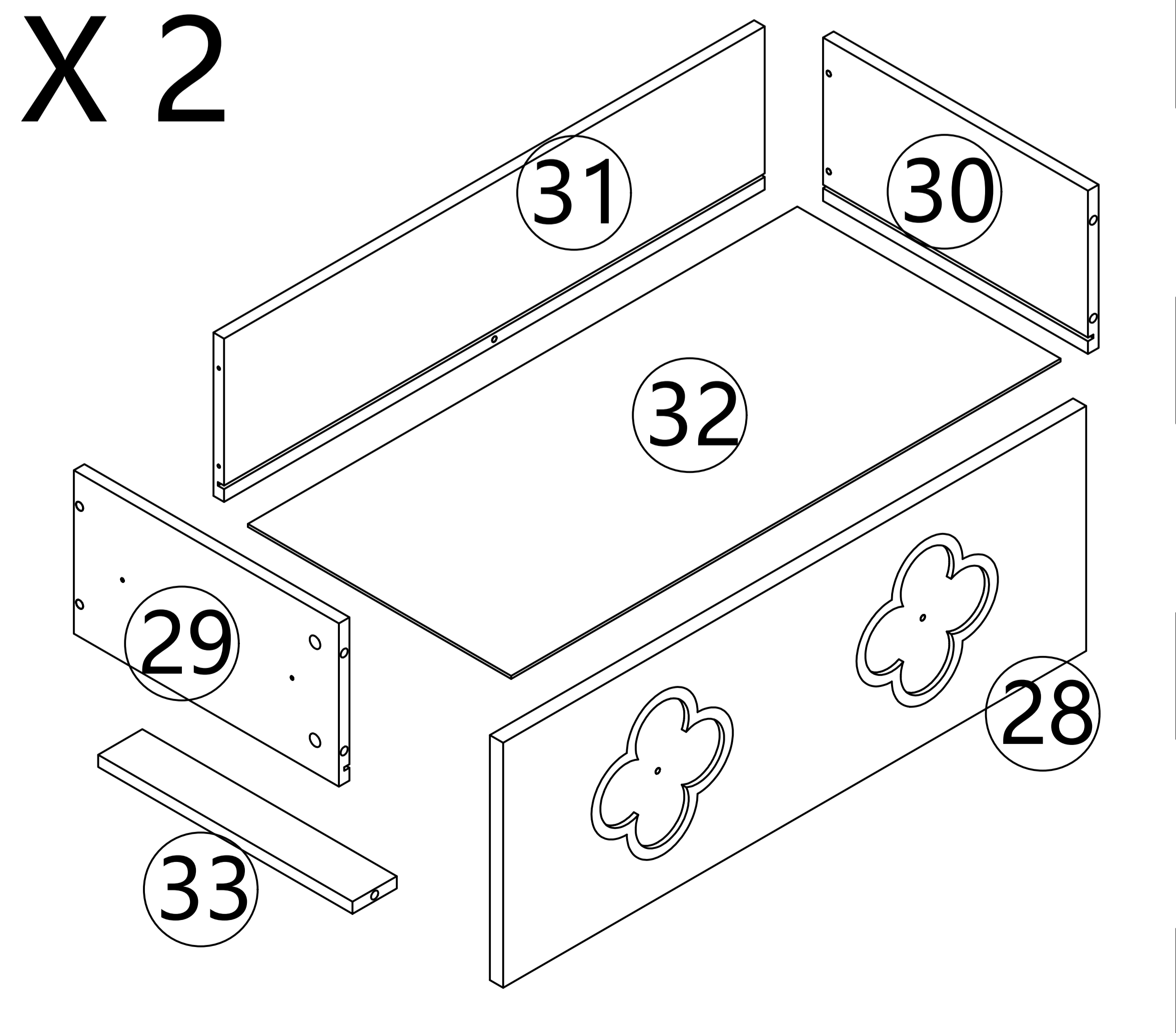
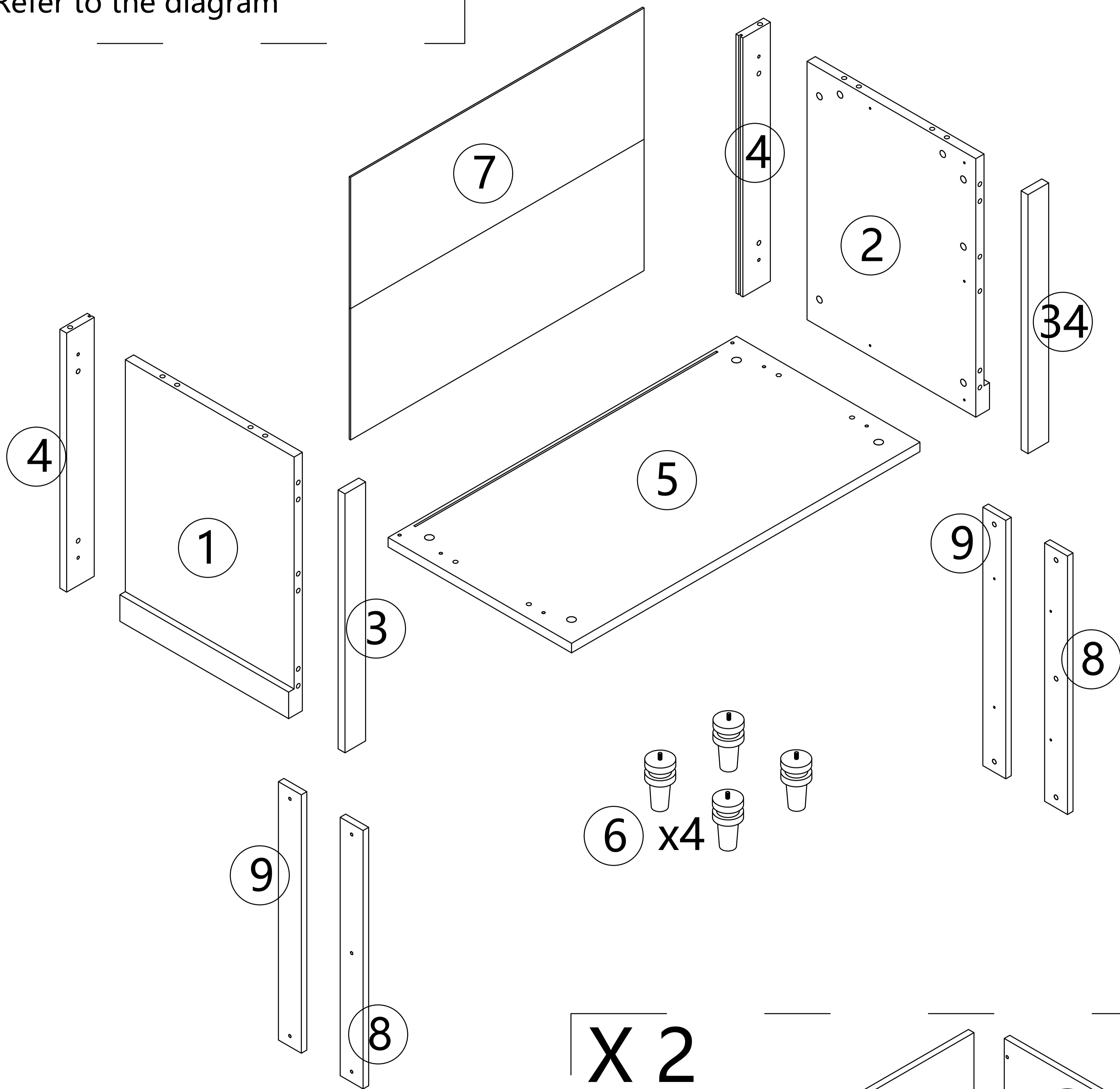
I1502570

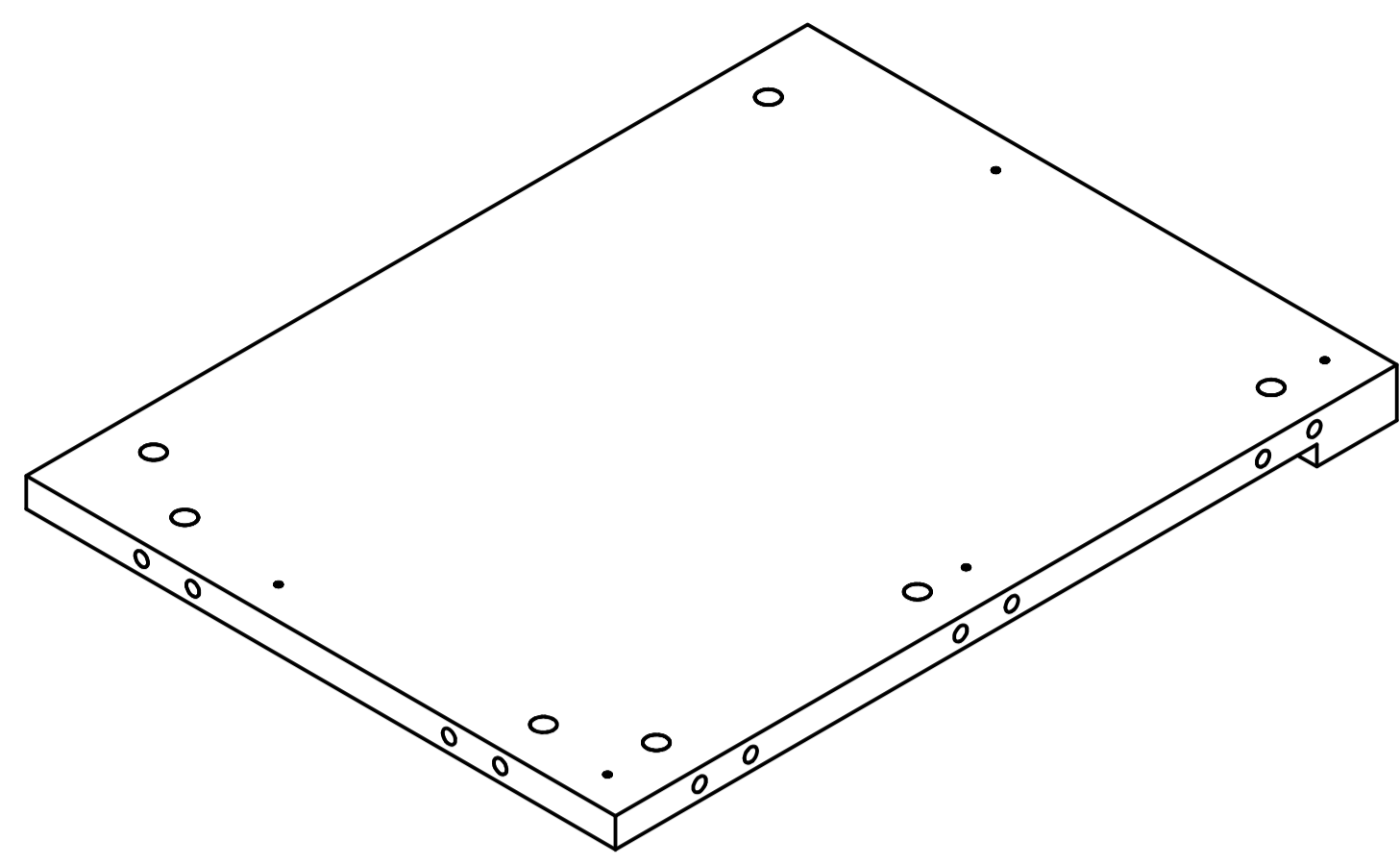
EXPLOSION FIGURE



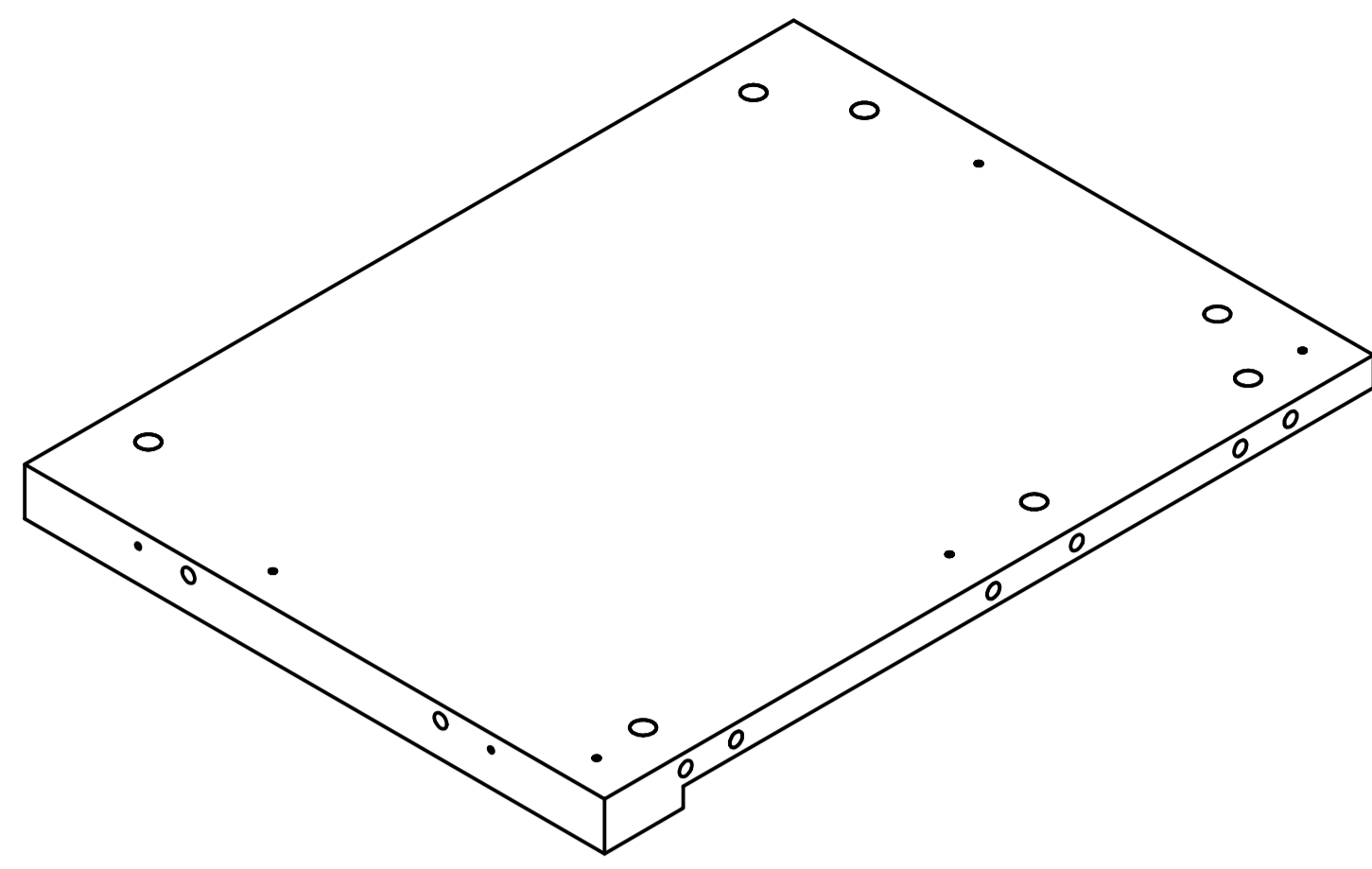


Refer to the diagram

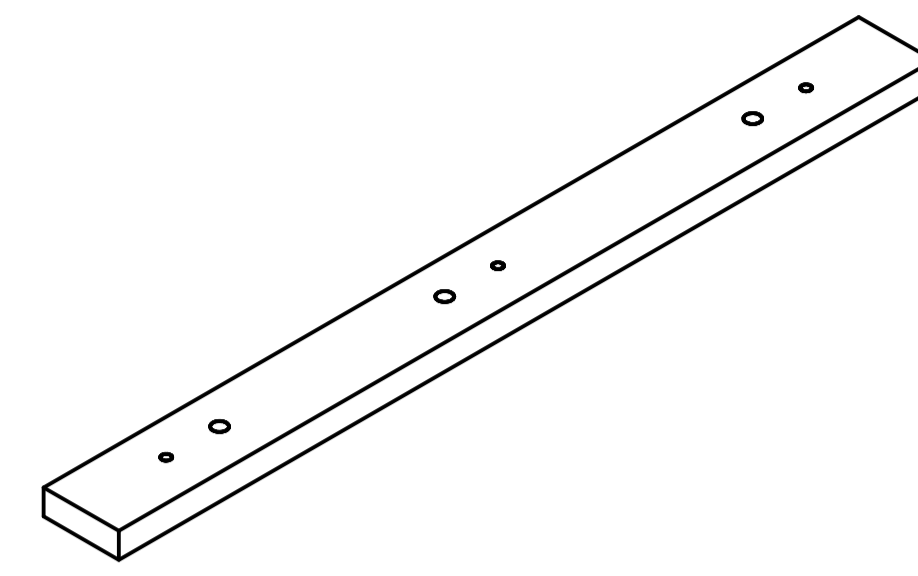




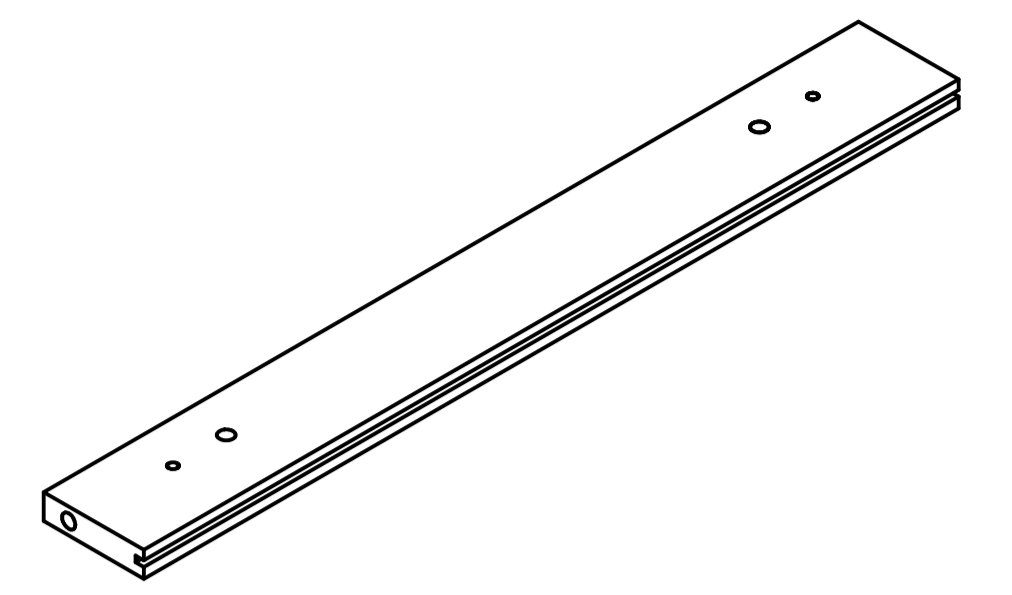
① x1



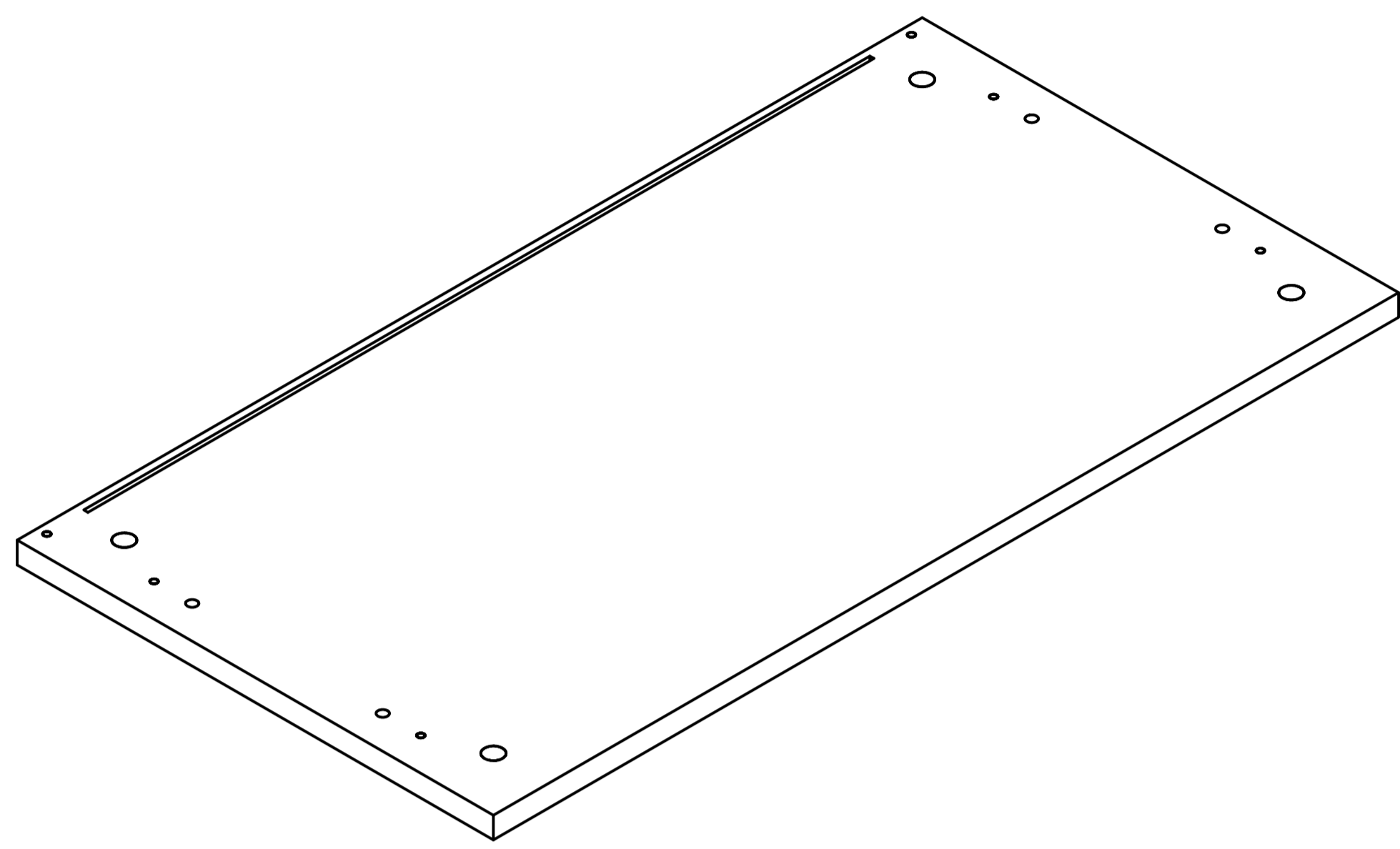
② x1



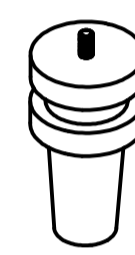
③ x1



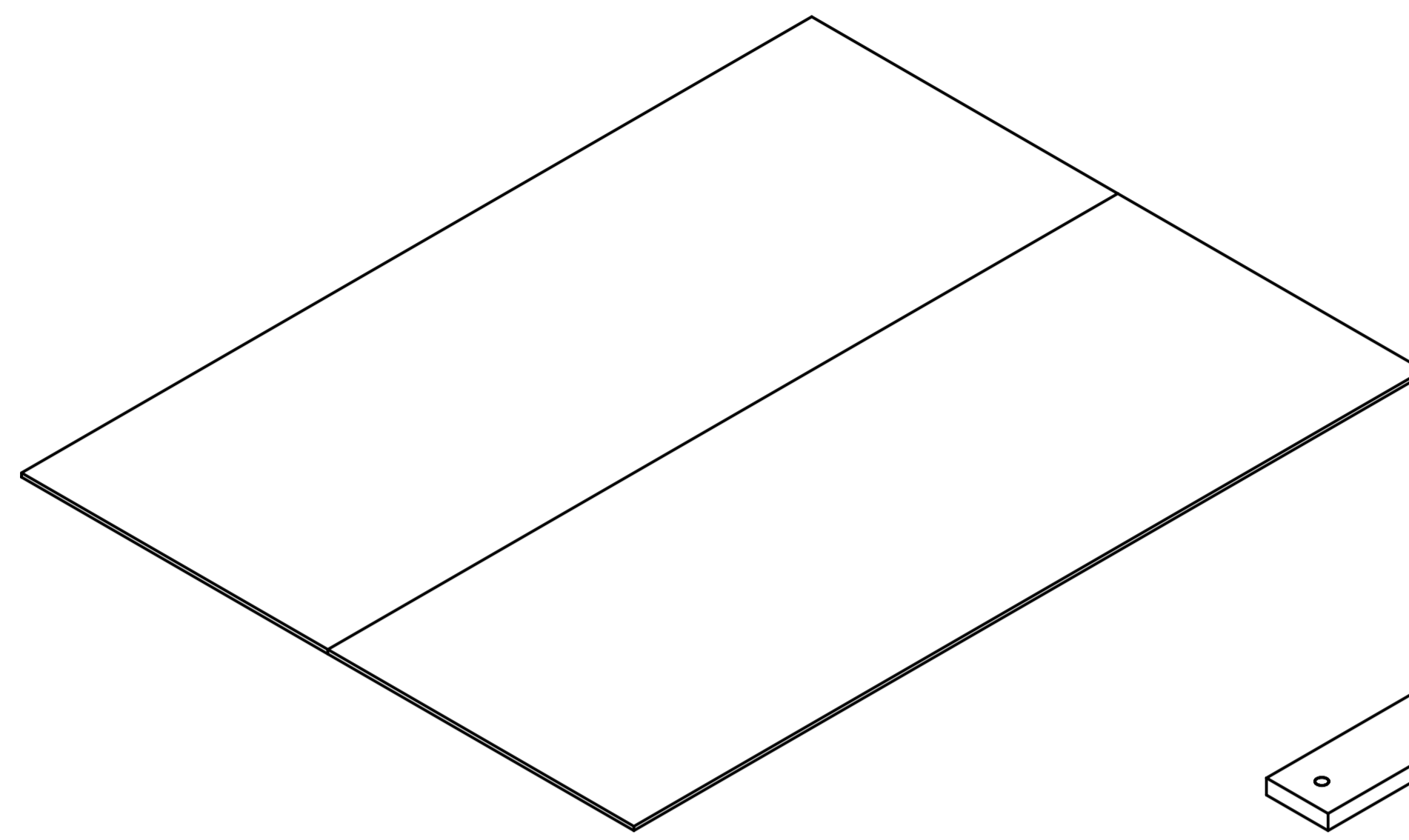
④ x2



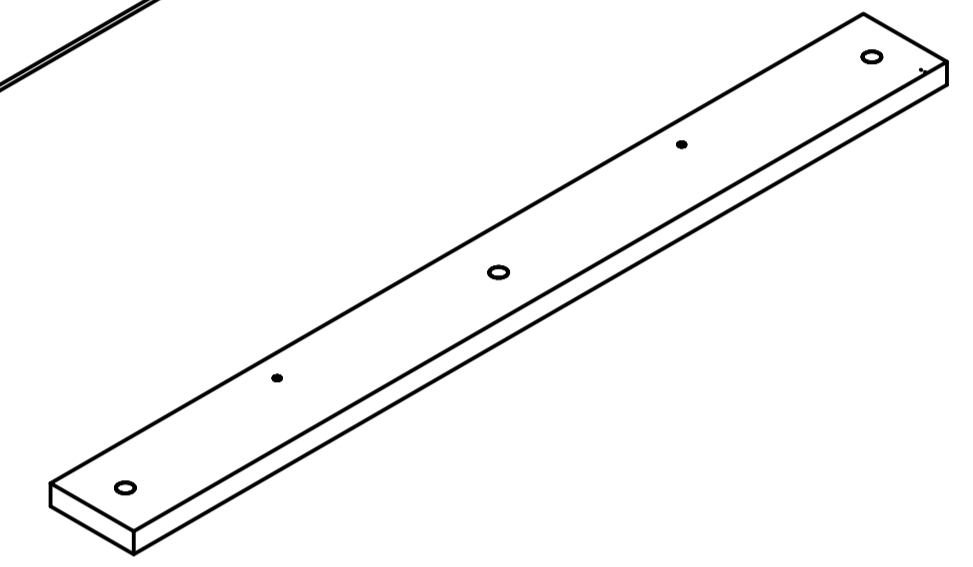
⑤ x1



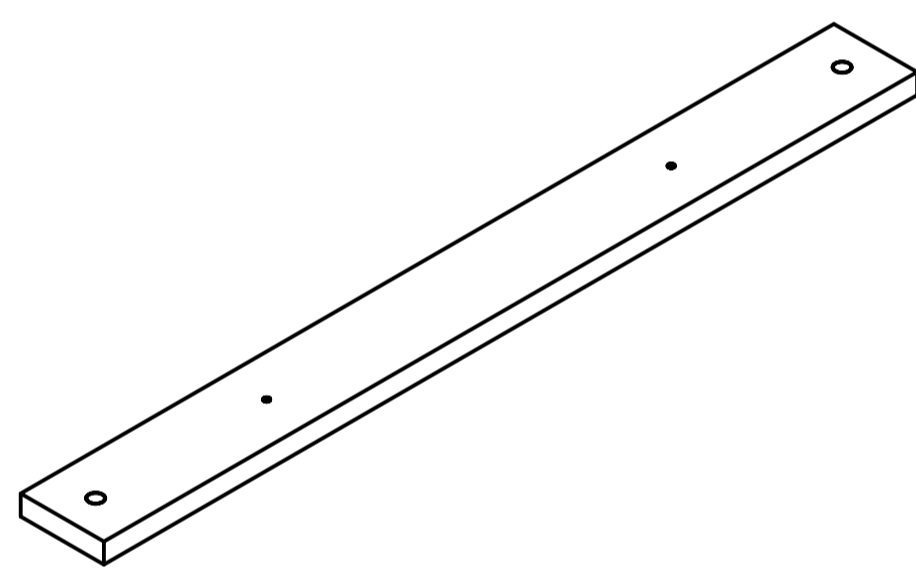
⑥ x4



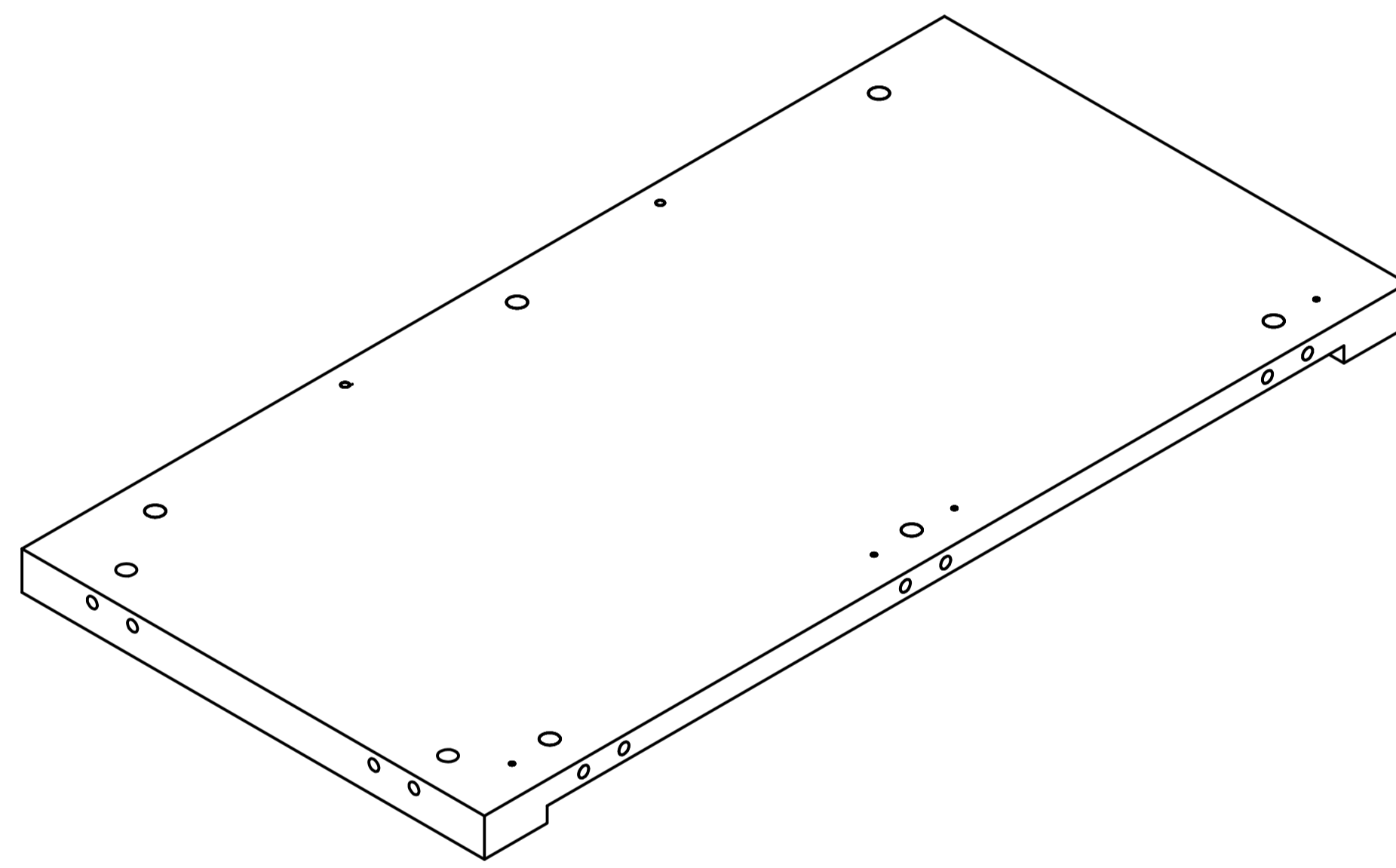
⑦ x1



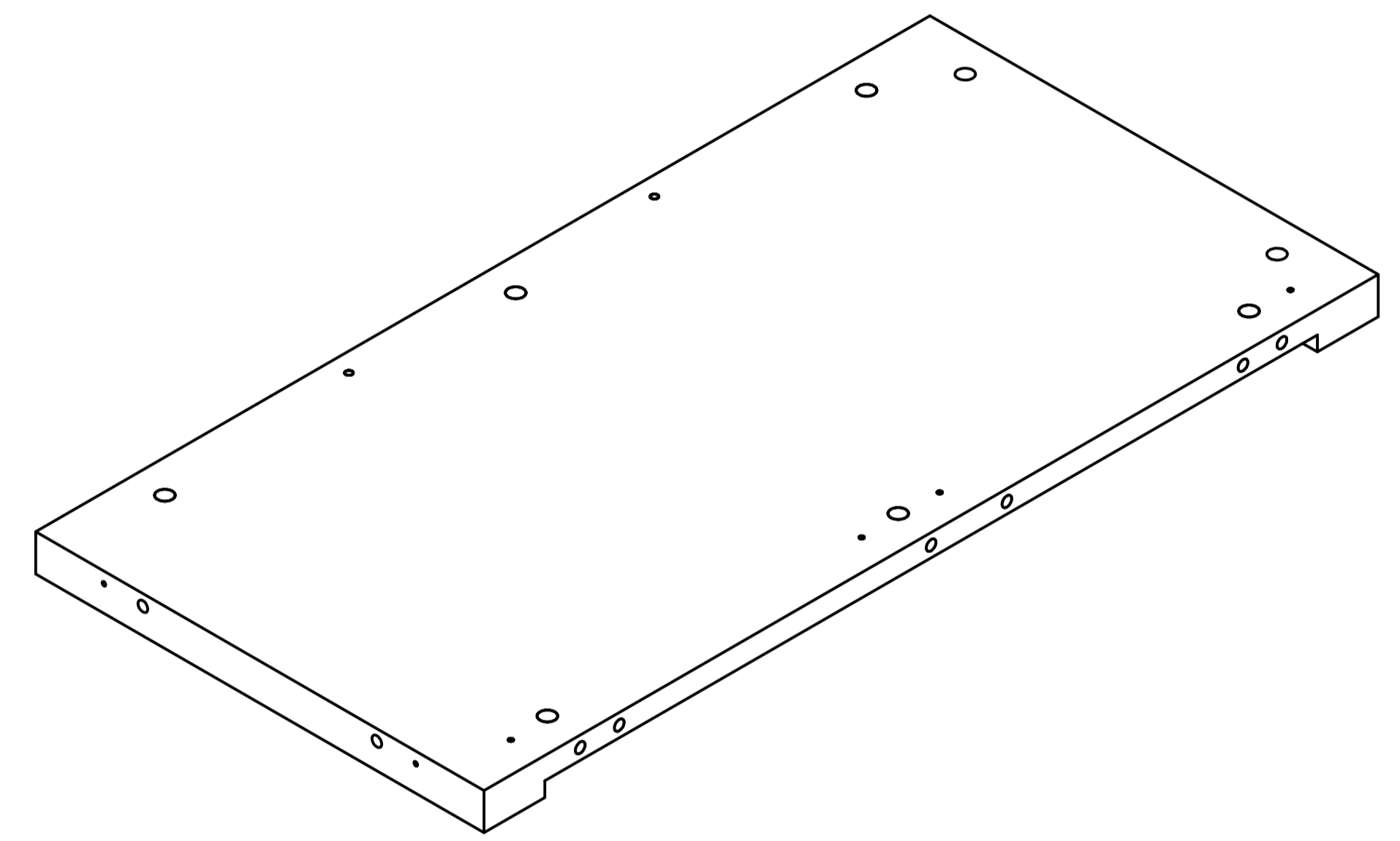
⑧ x2



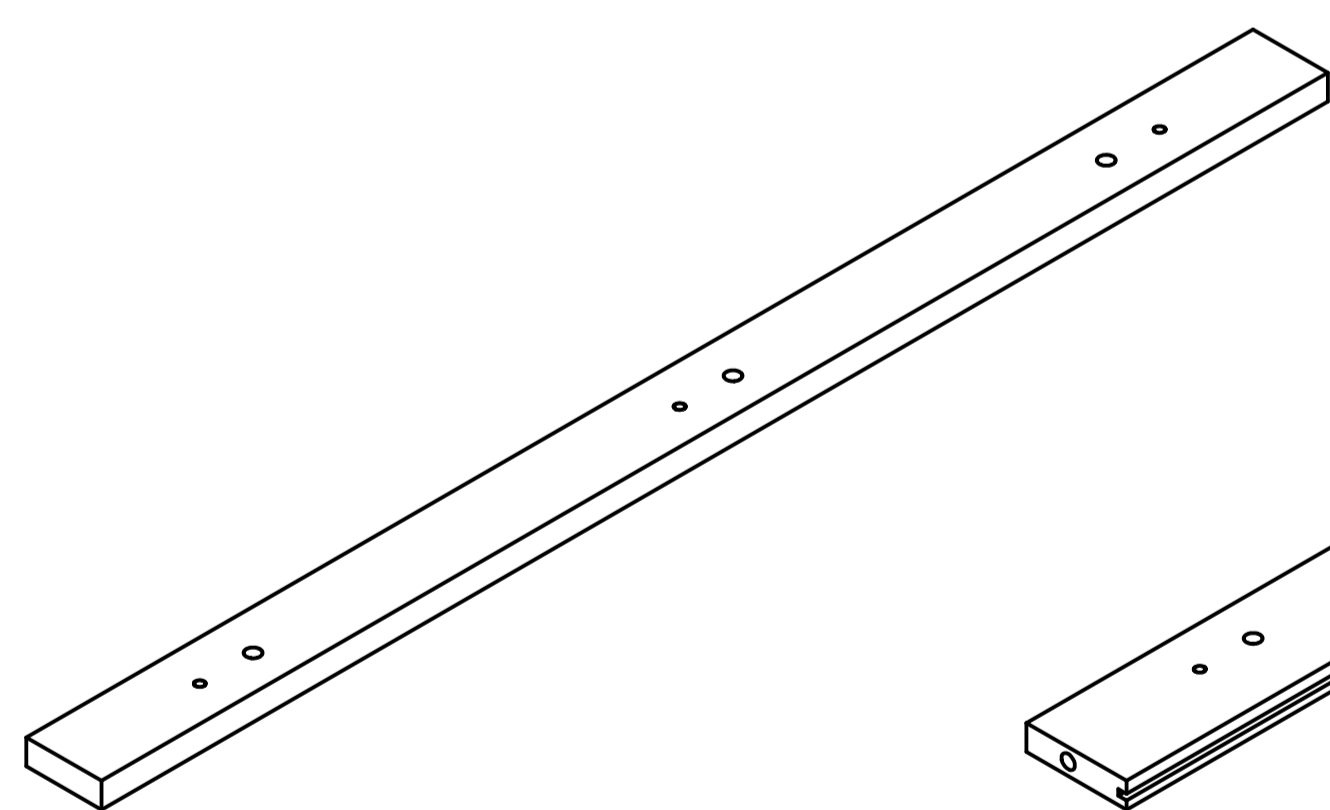
⑨ x2



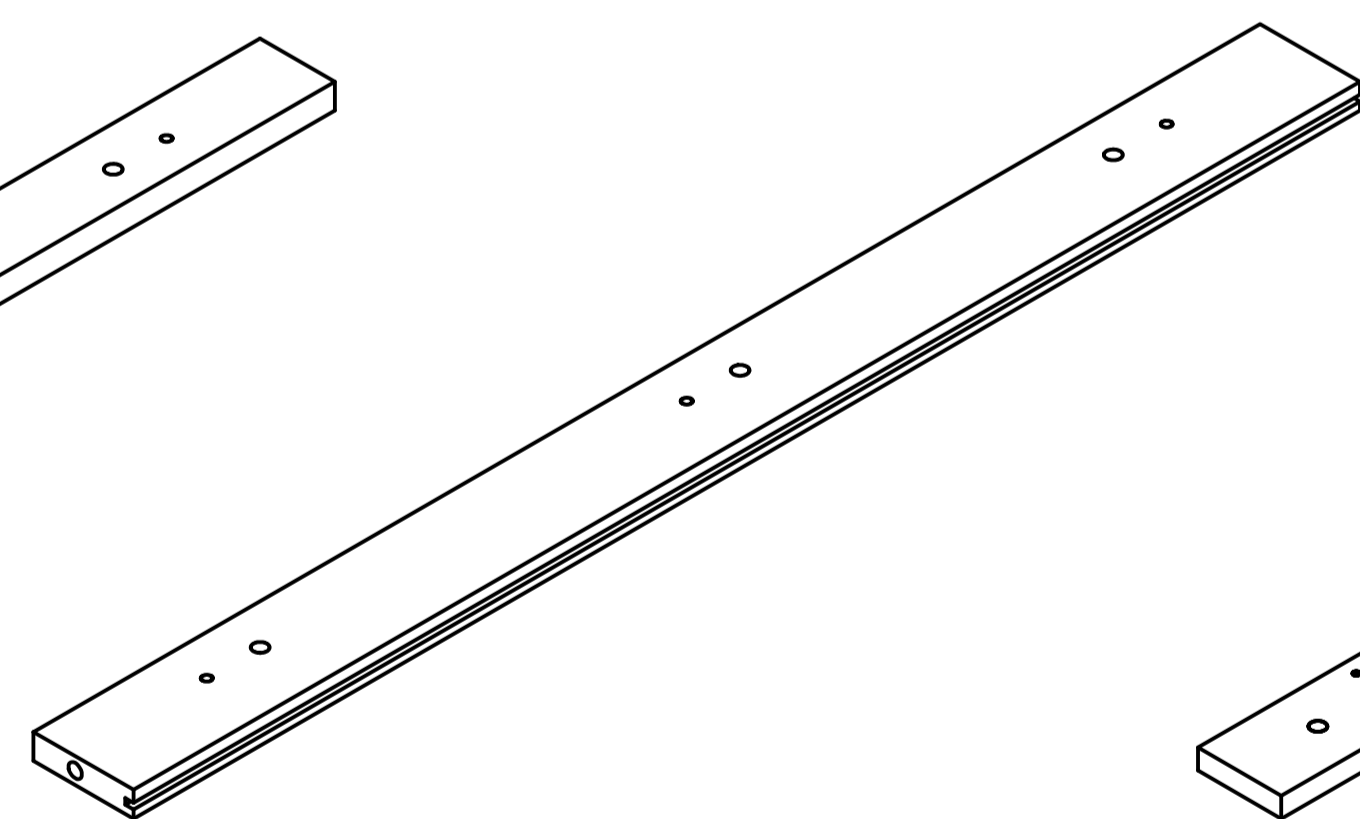
⑩ x1



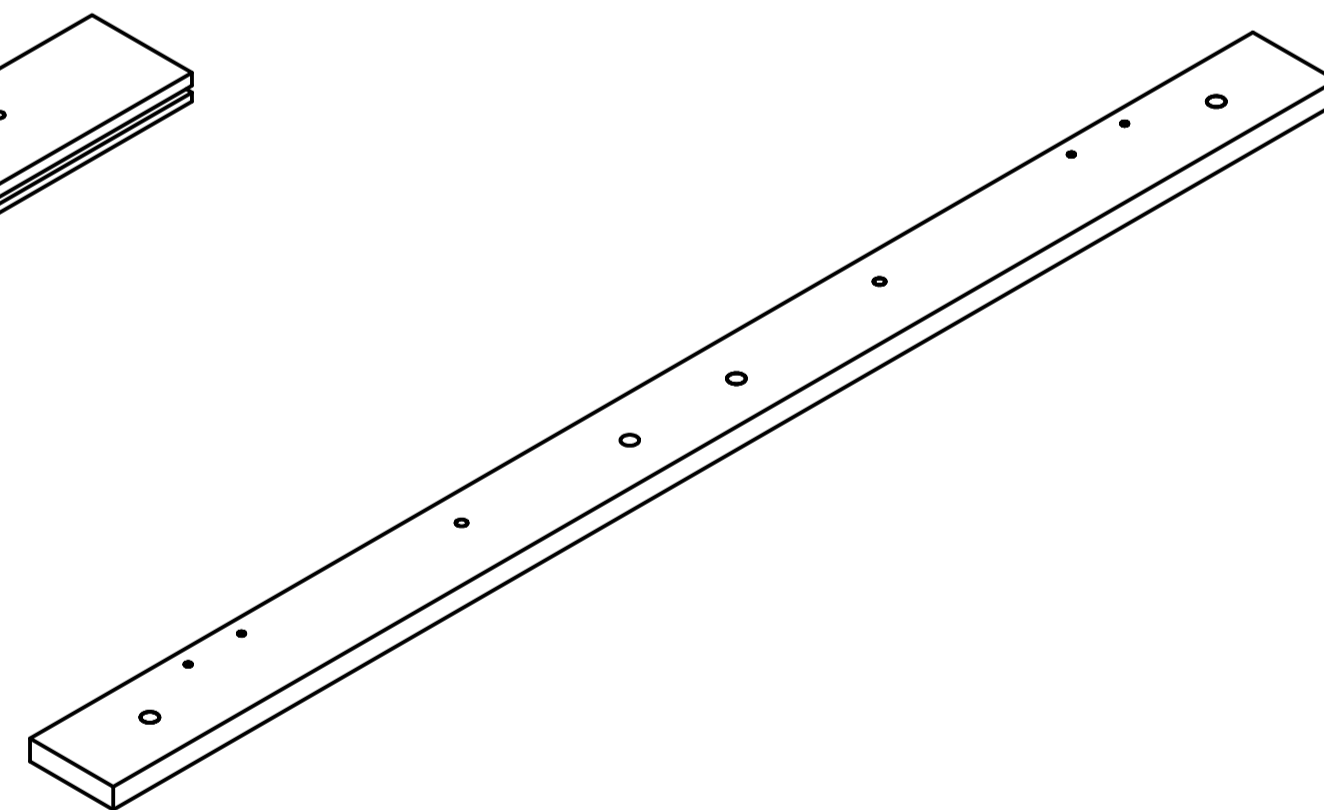
⑪ x1



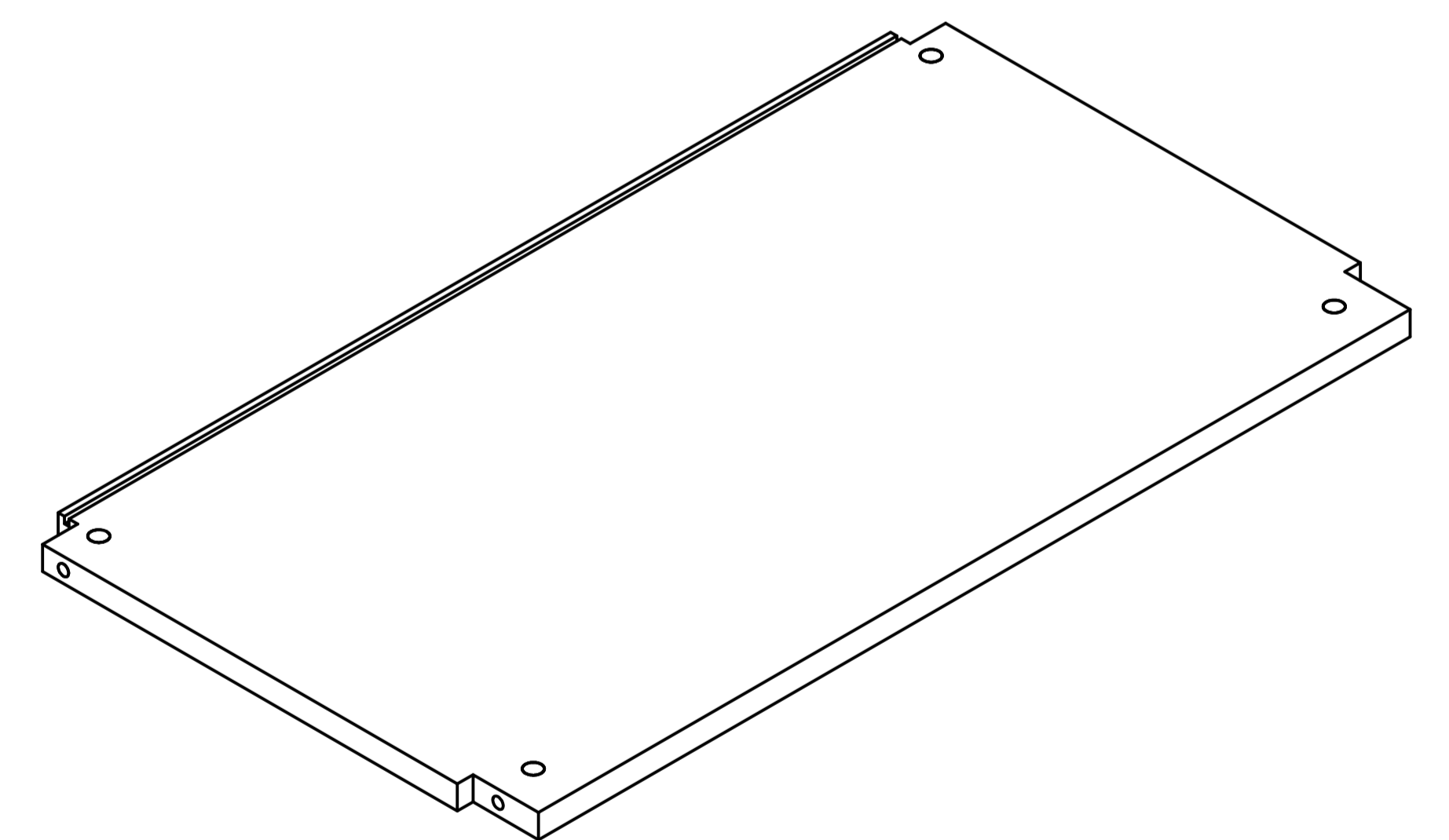
⑫ x1



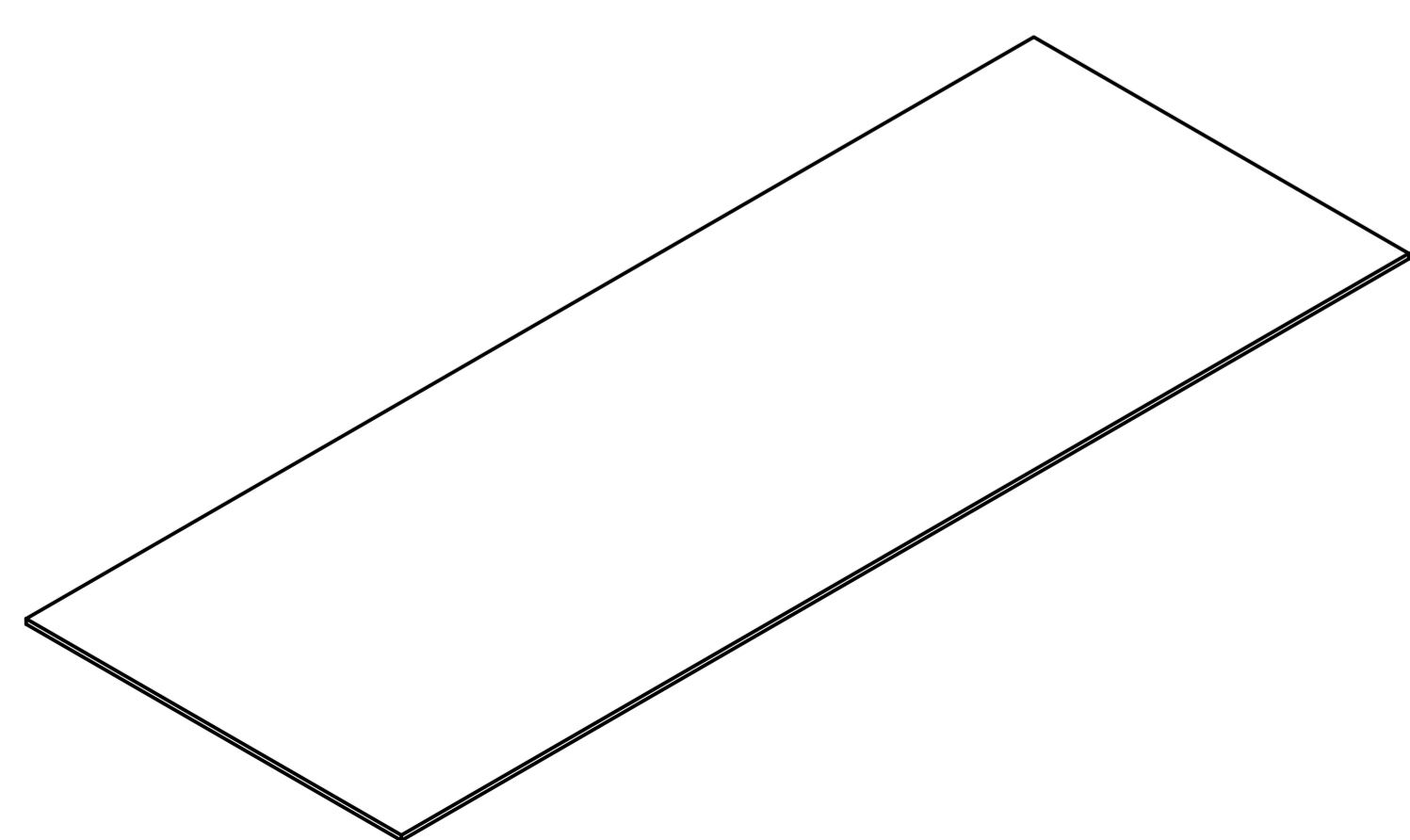
⑬ x2



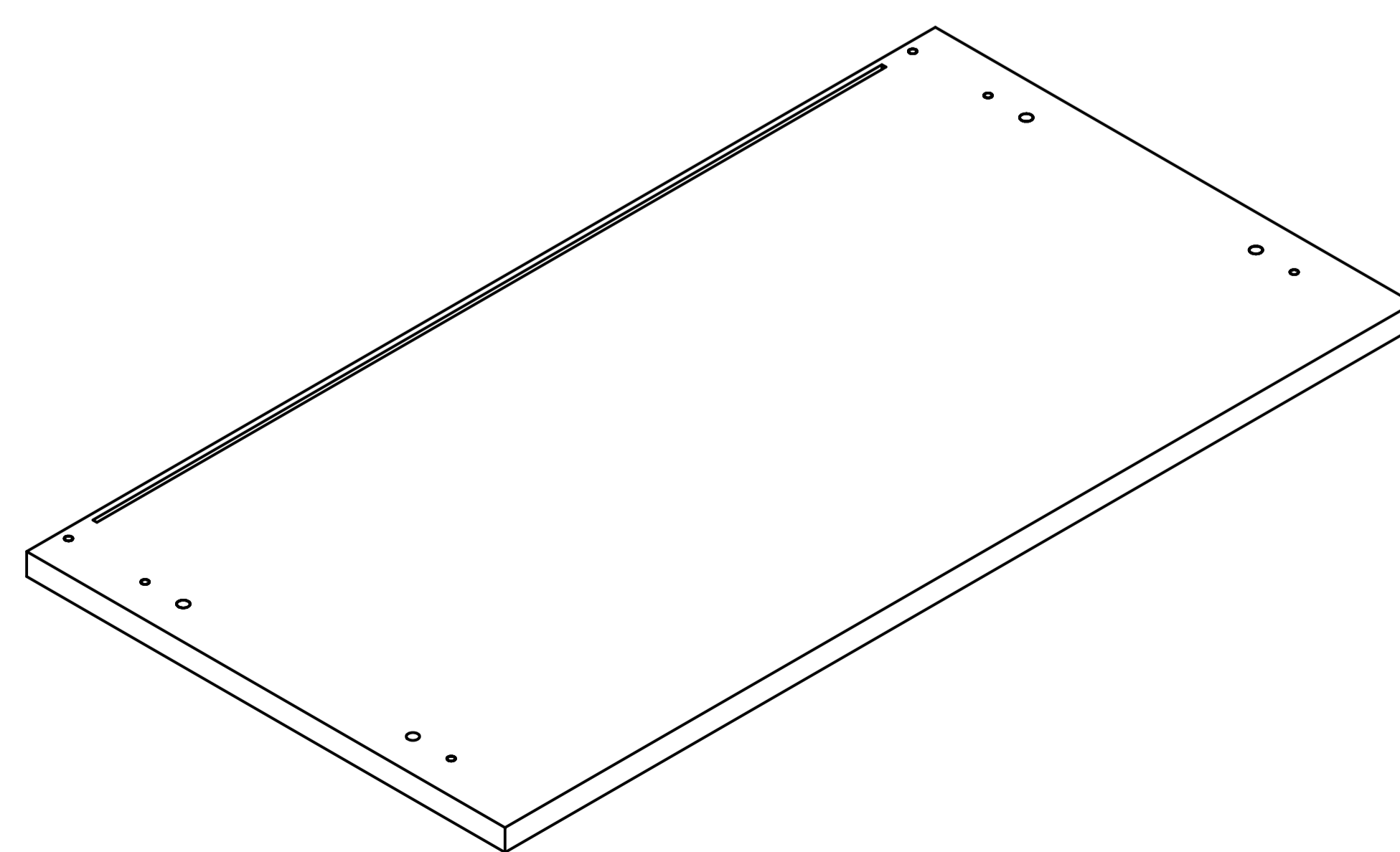
⑭ x2



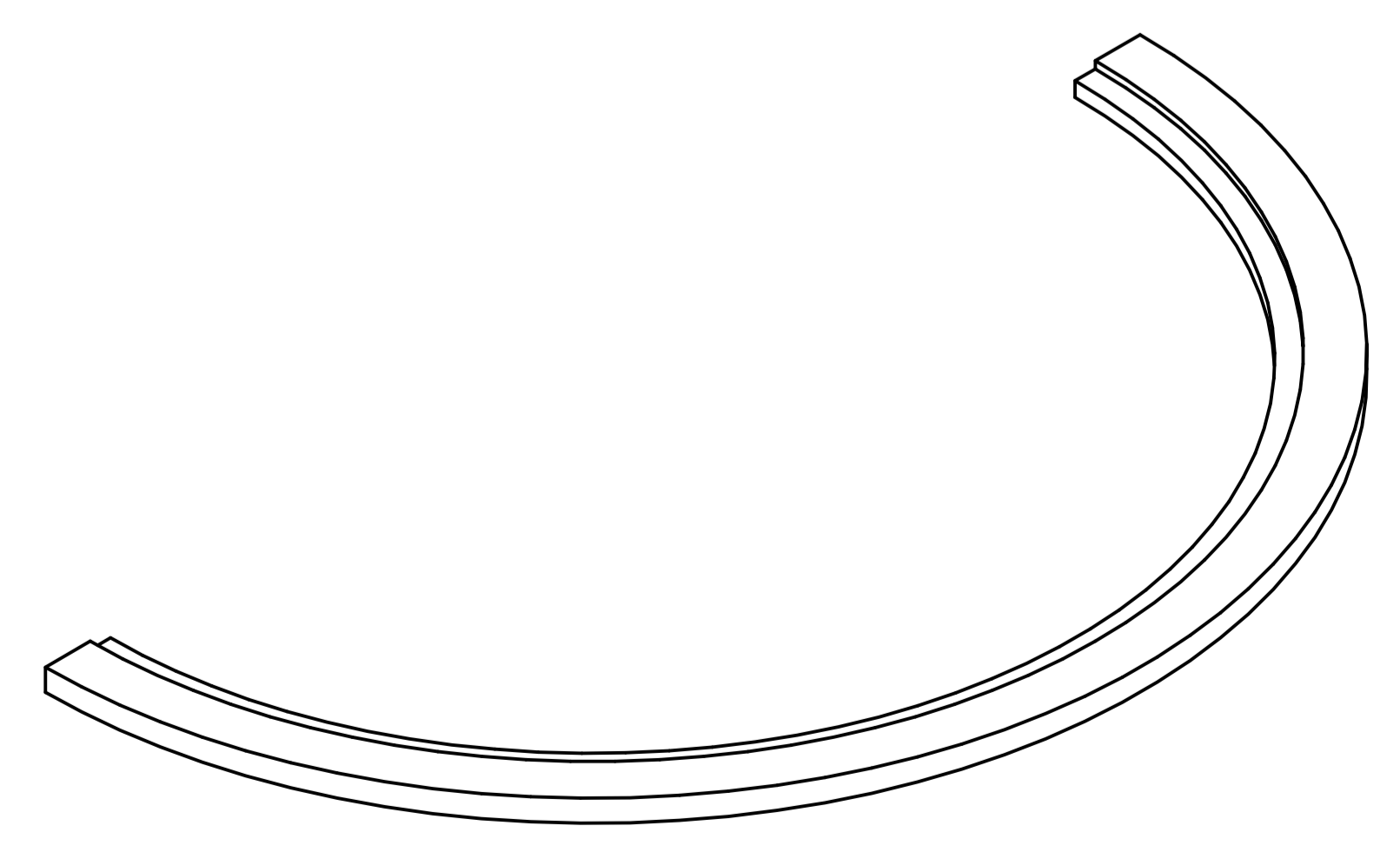
⑮ x2



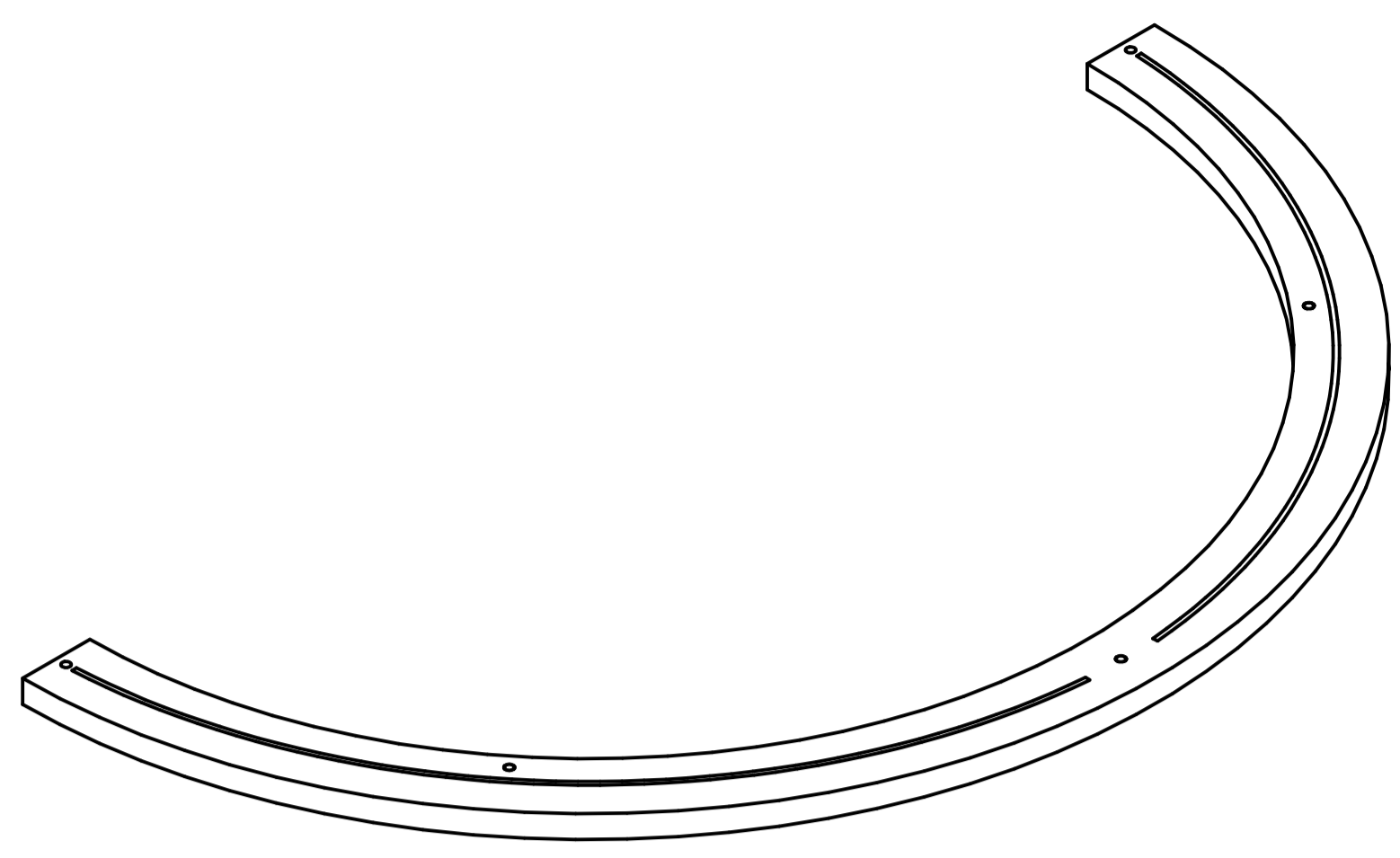
⑯ x2



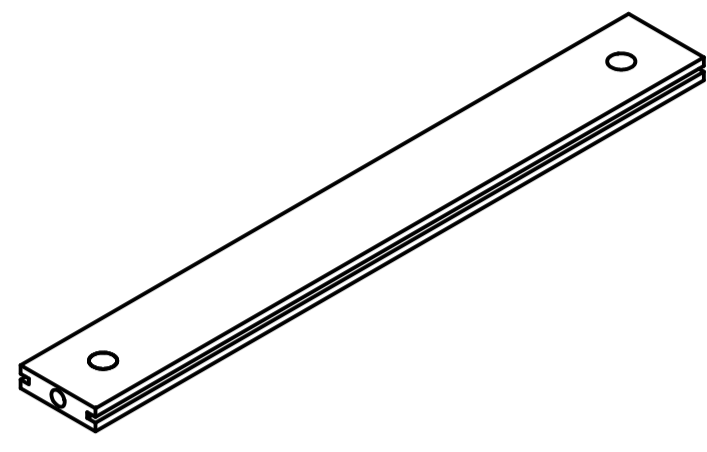
⑰ x1



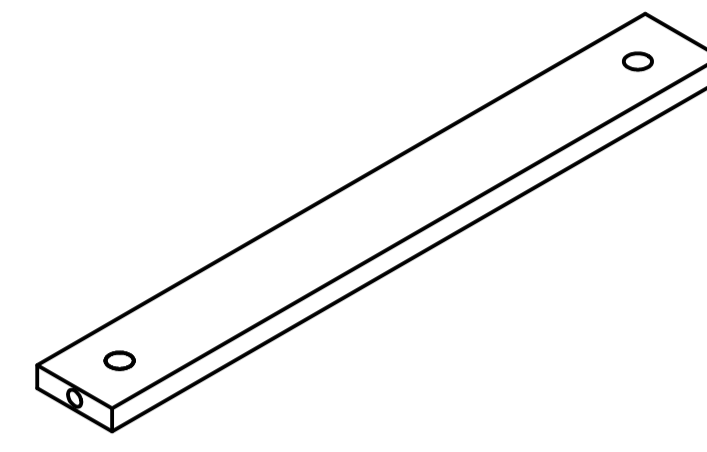
⑱ x1



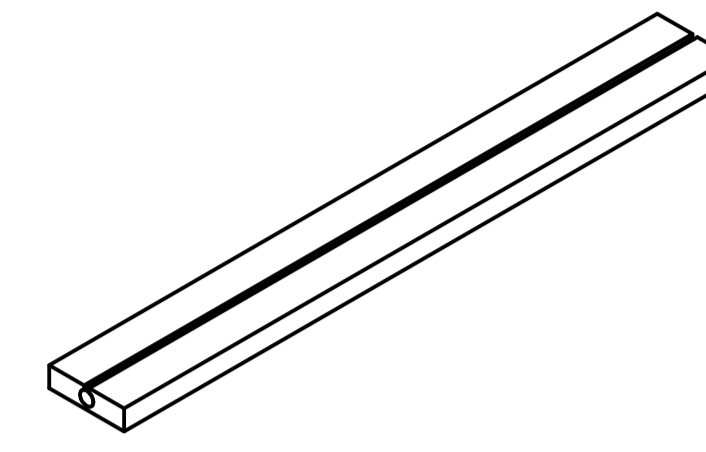
①⑨ x1



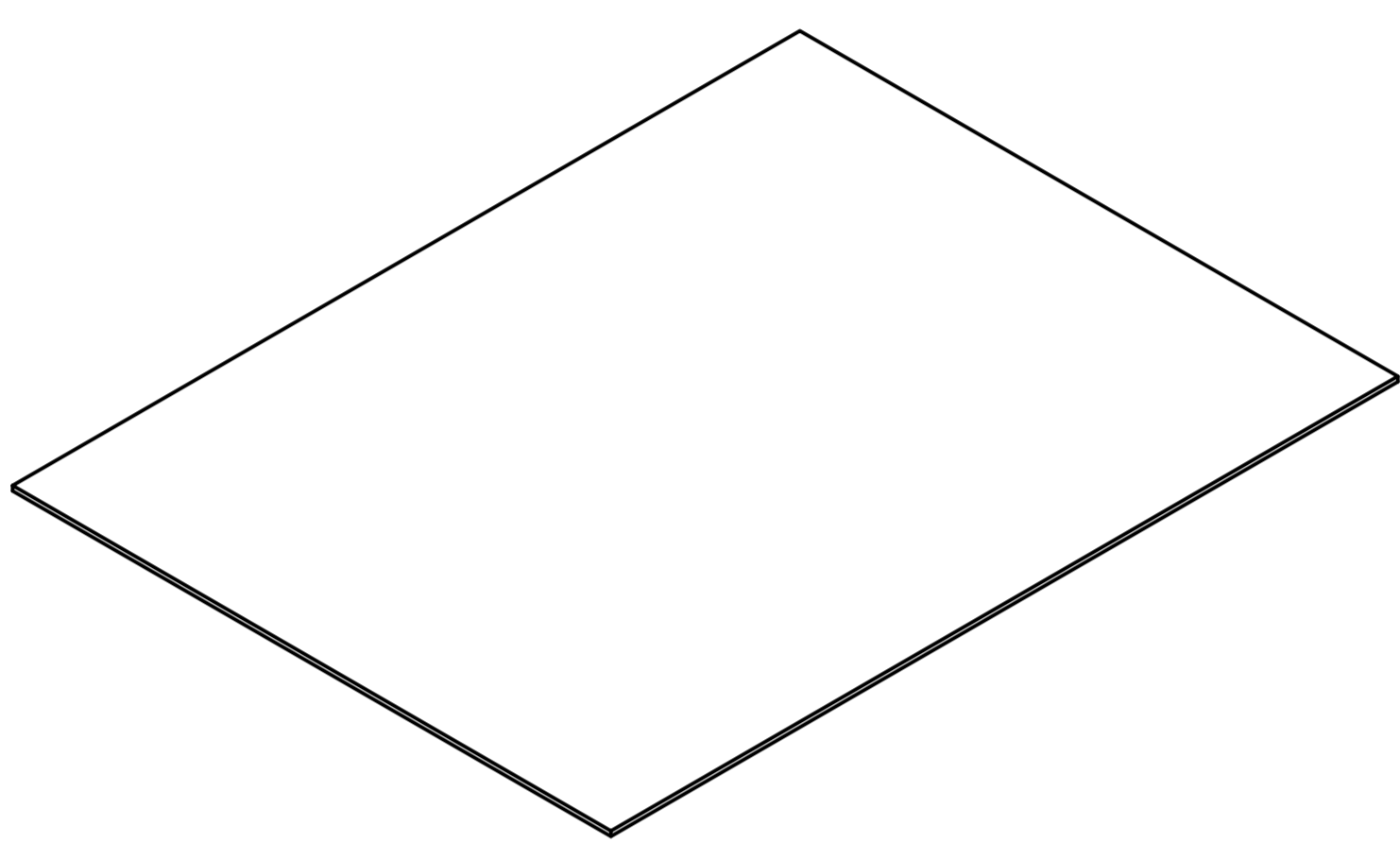
②⑦ x1



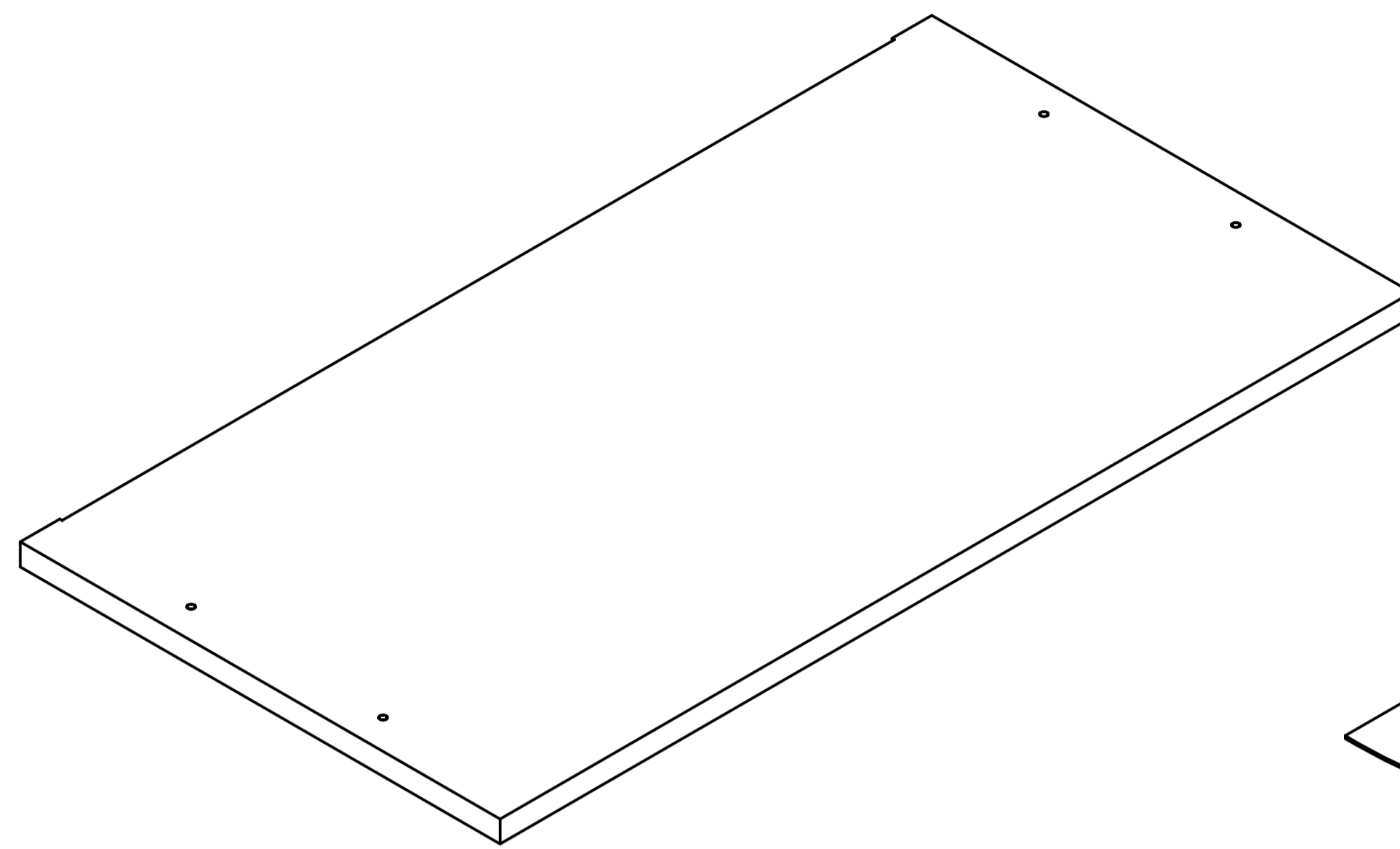
②① x2



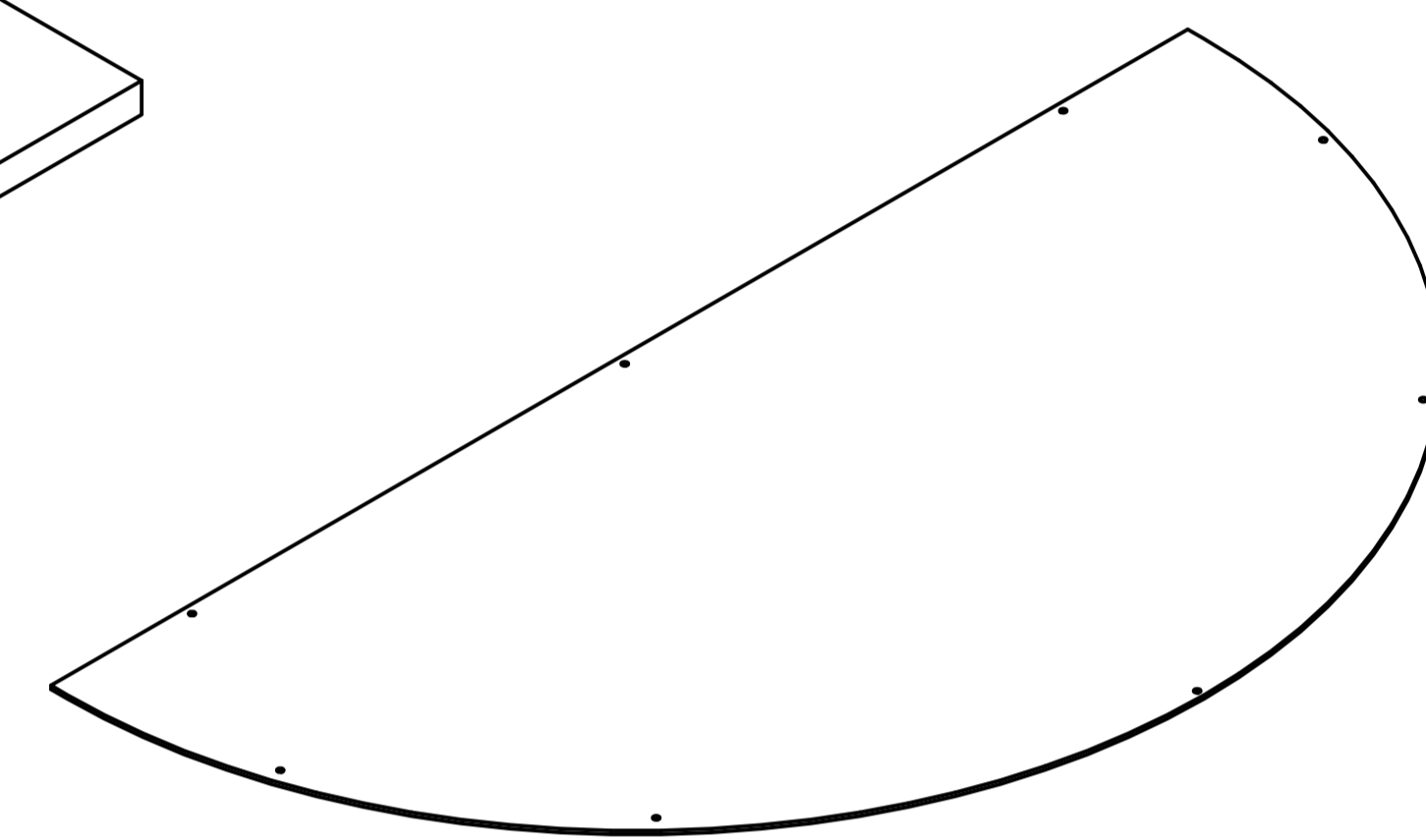
②② x2



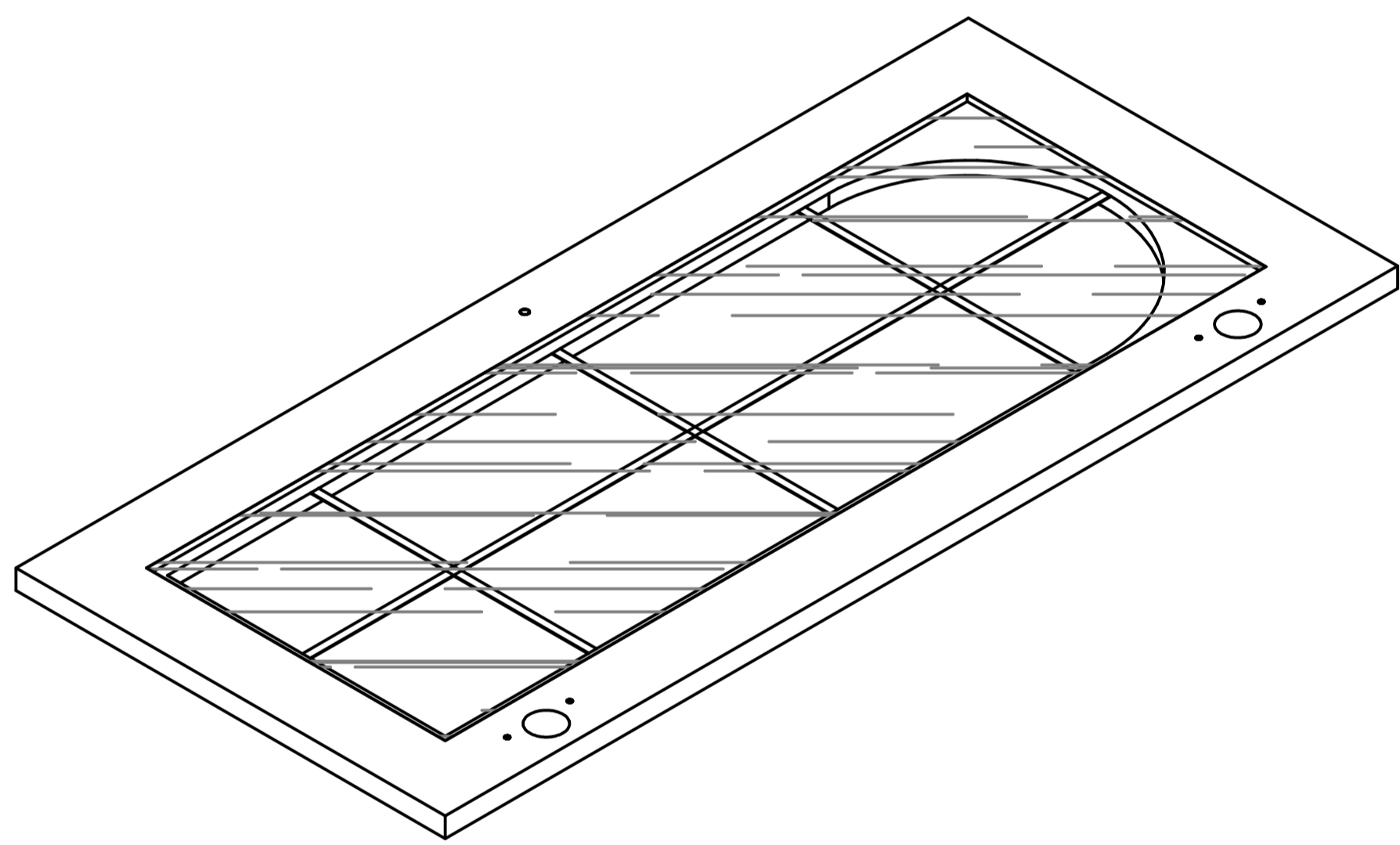
②③ x2



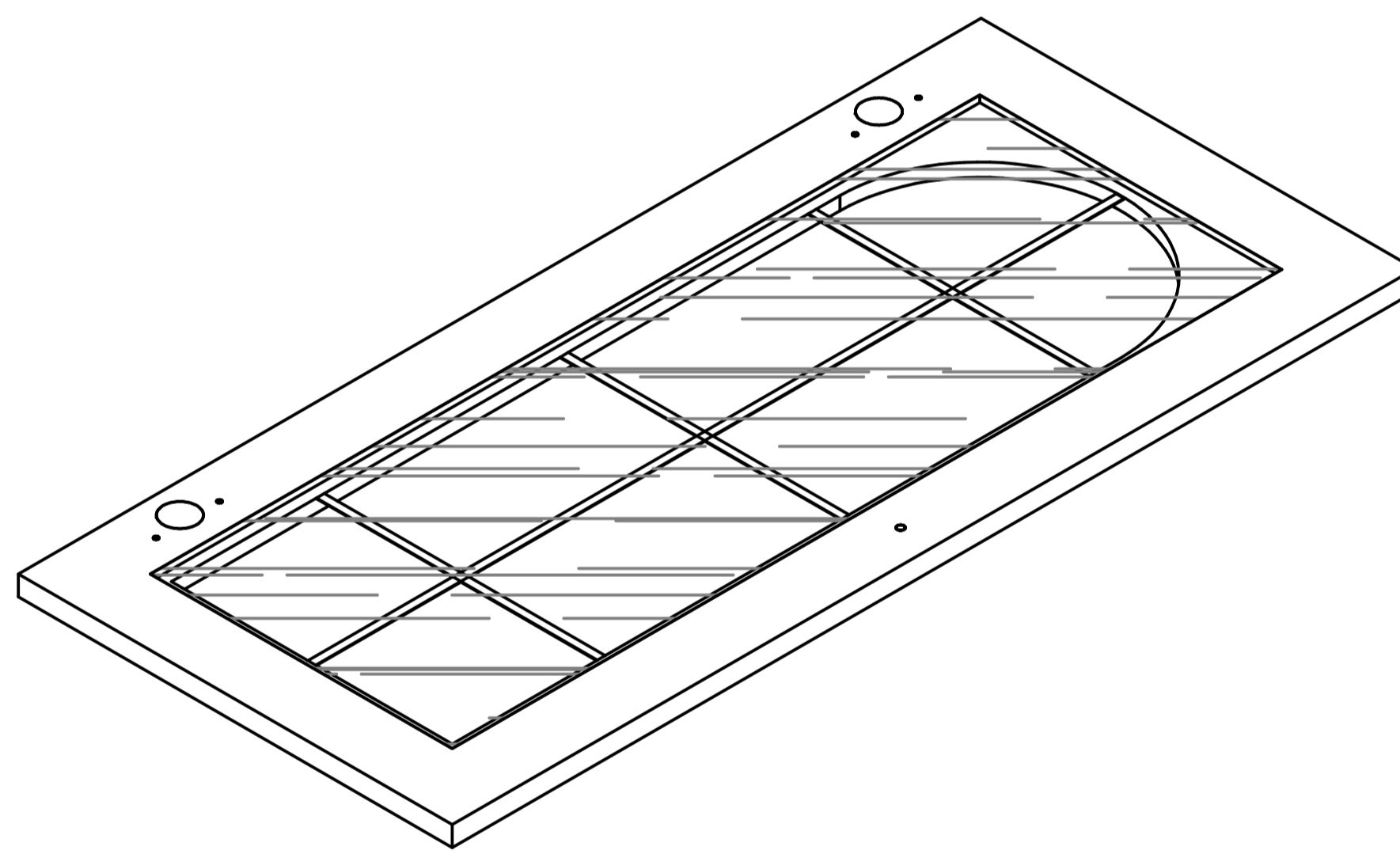
②④ x1



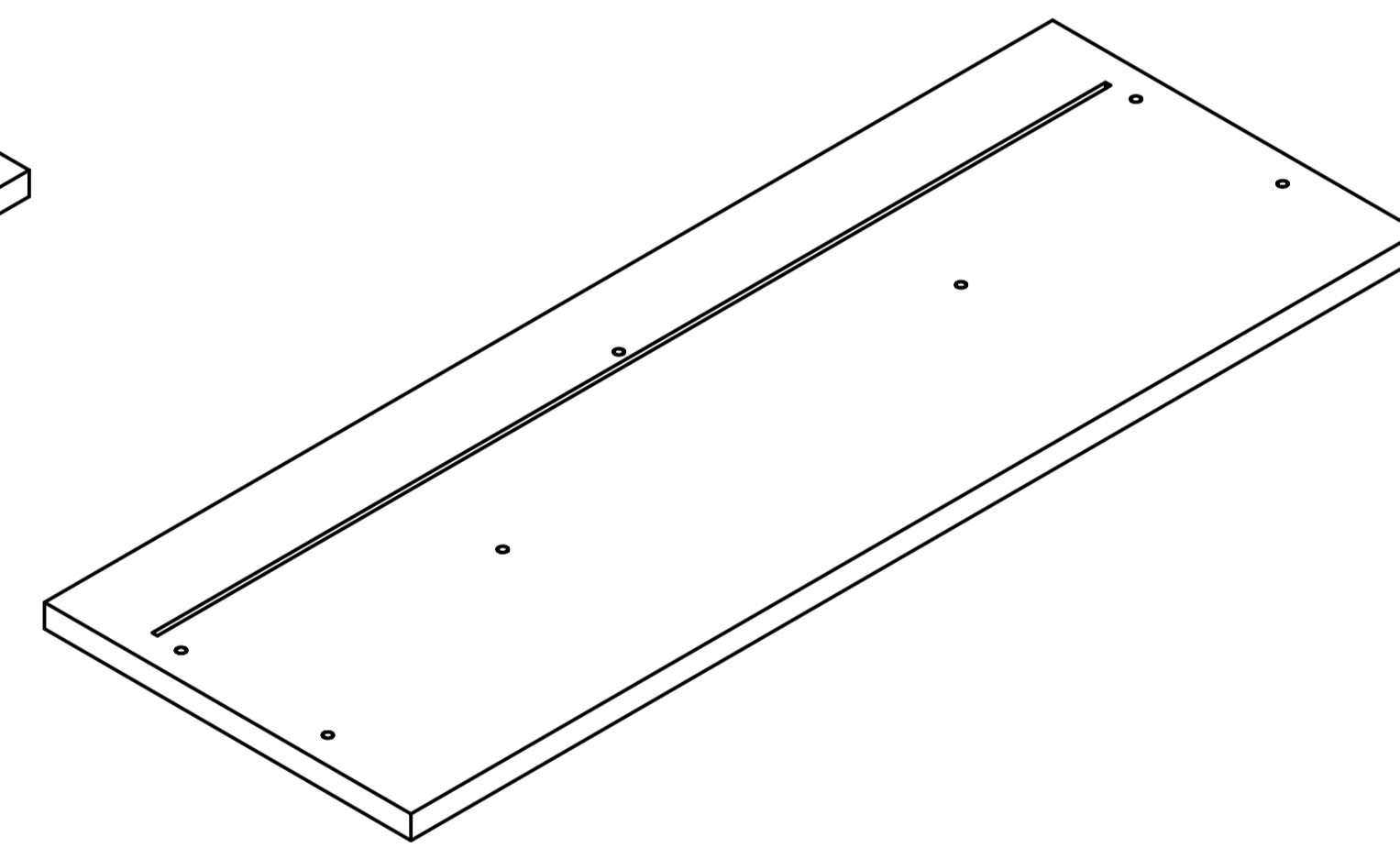
②⑤ x1



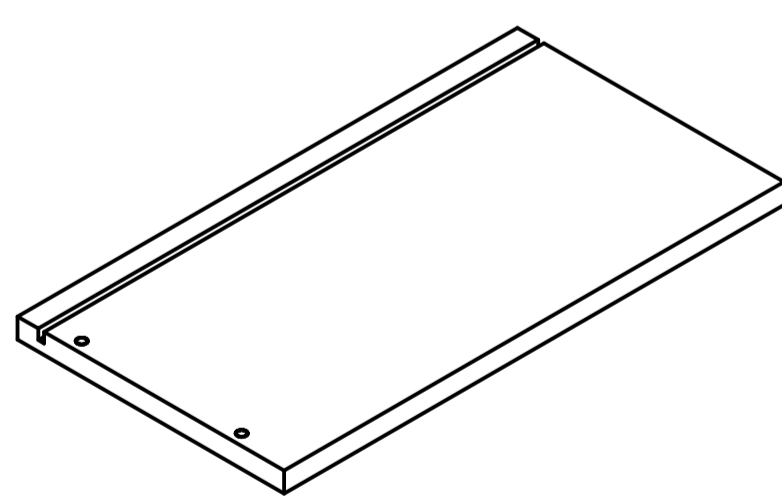
②⑥ x1



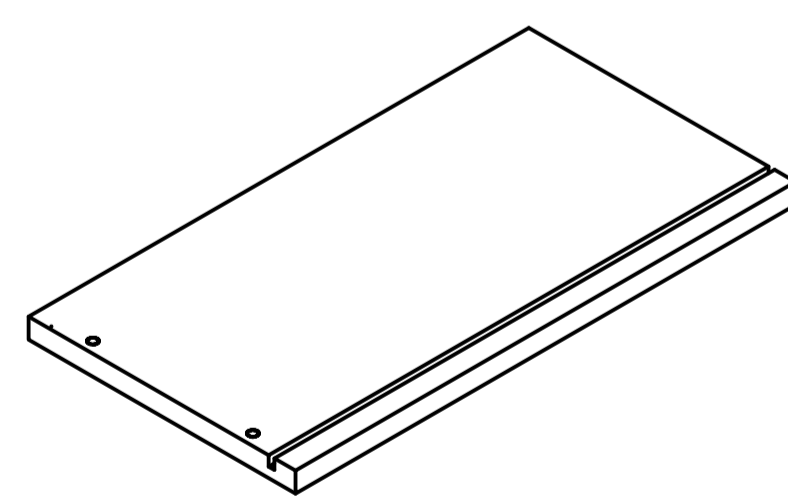
②⑦ x1



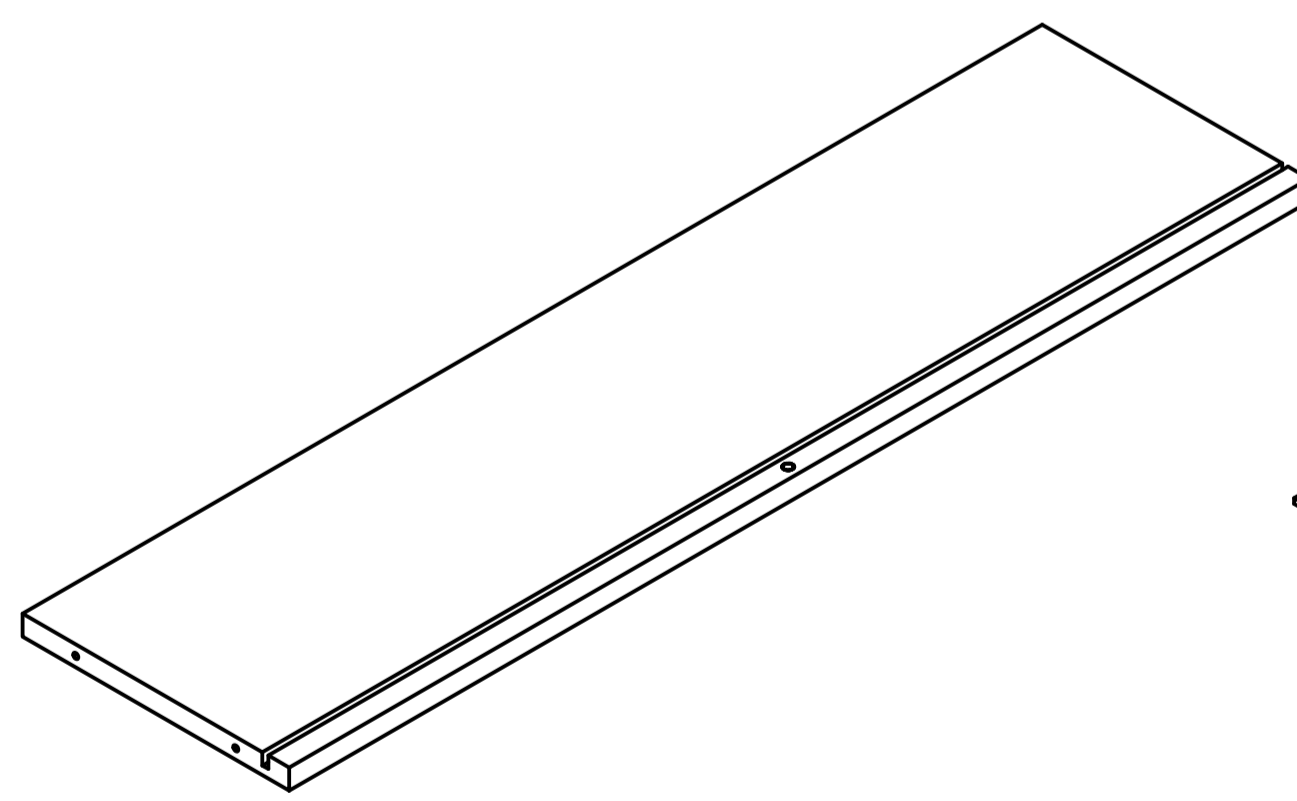
②⑧ x2



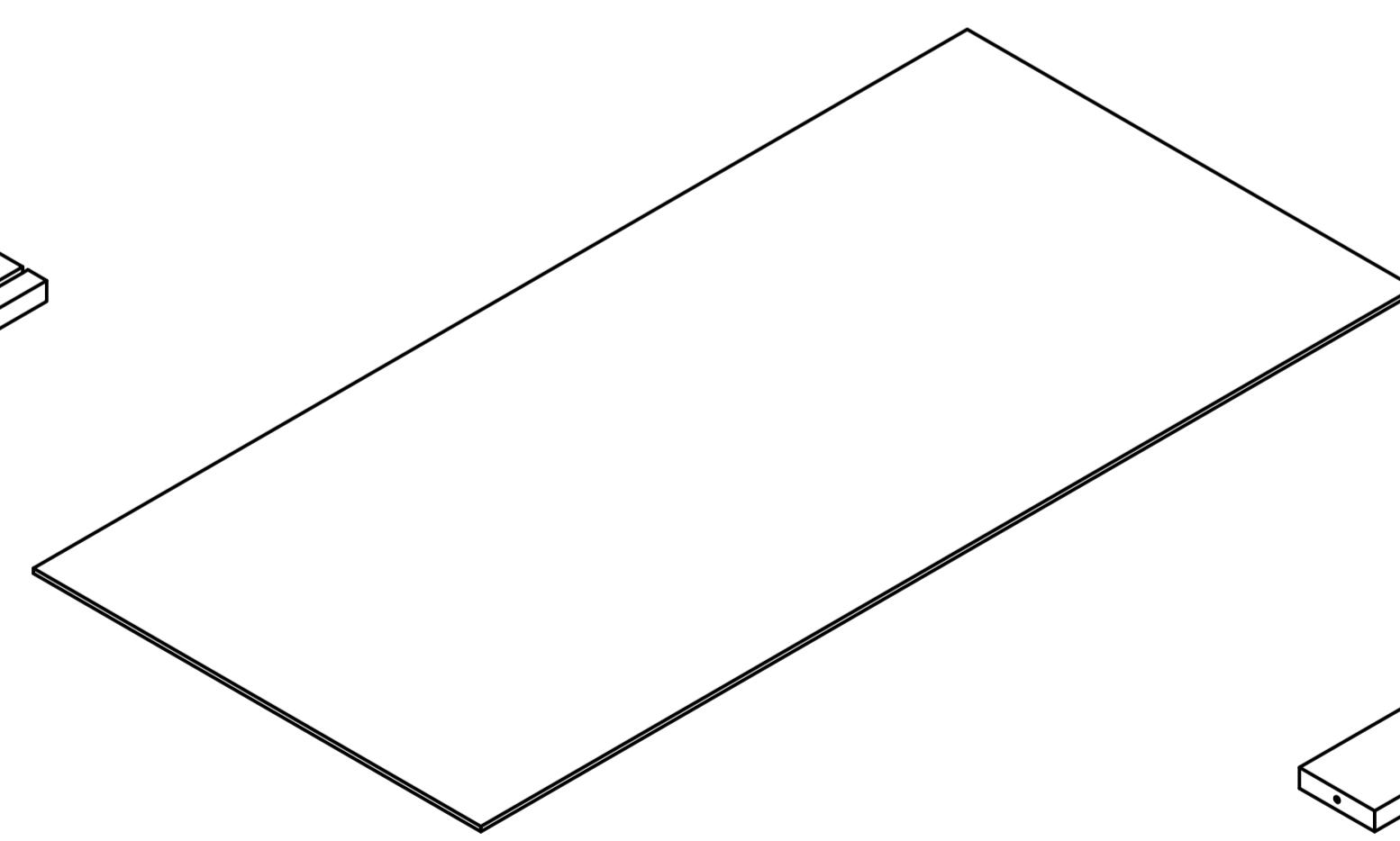
②⑨ x2



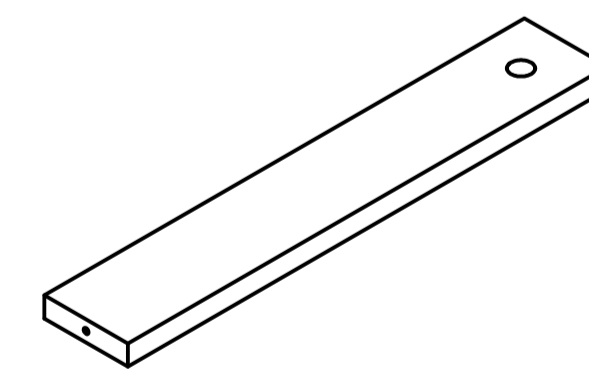
③⑦ x2



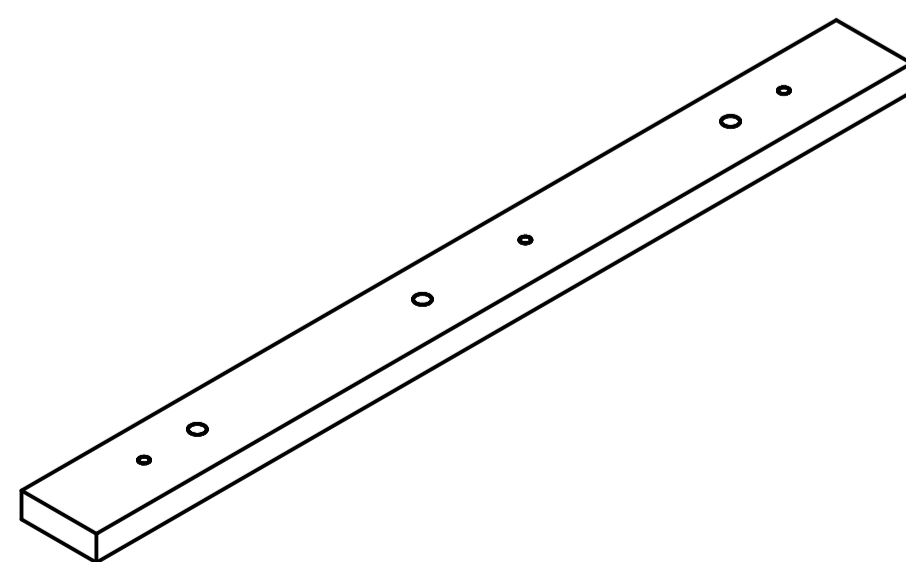
③① x2



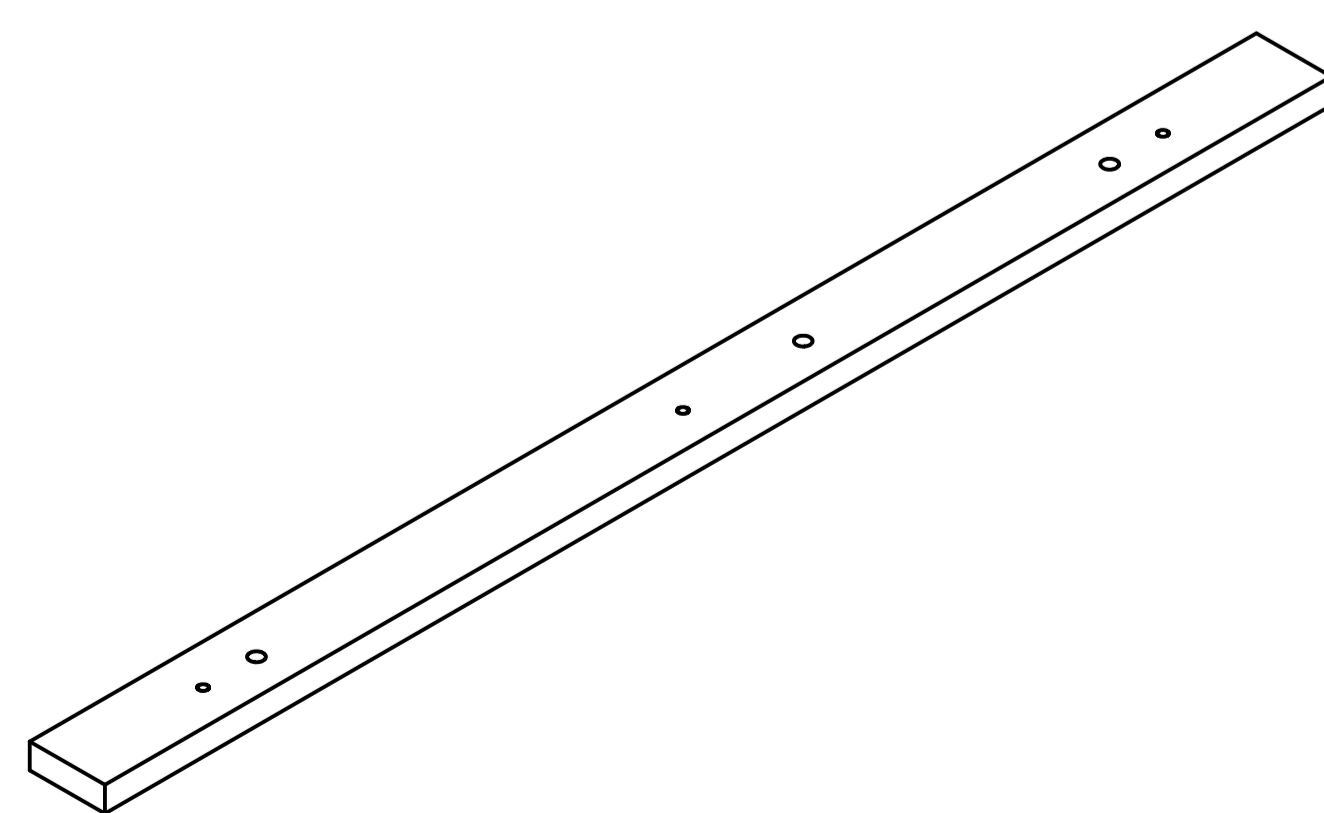
③② x2



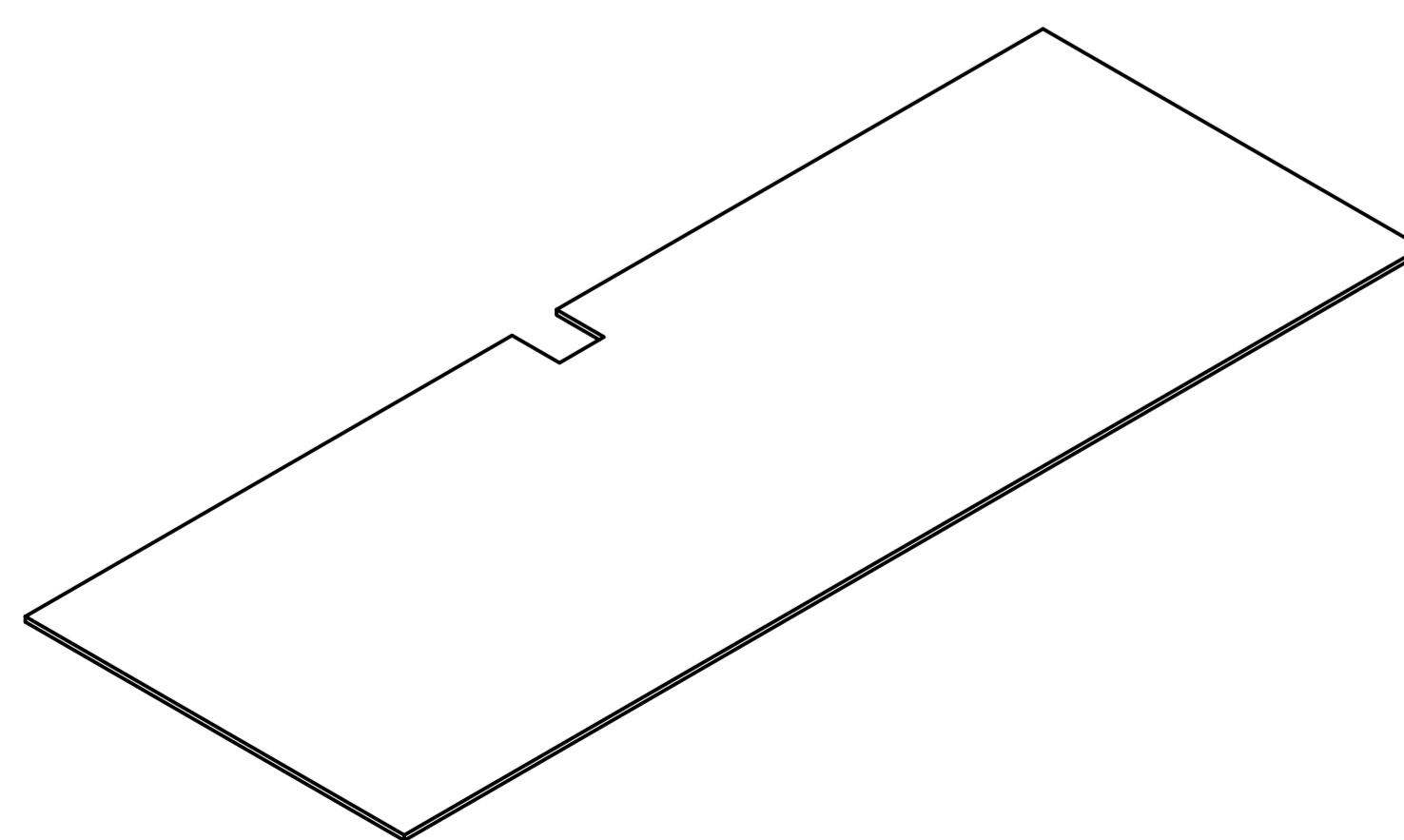
③③ x2



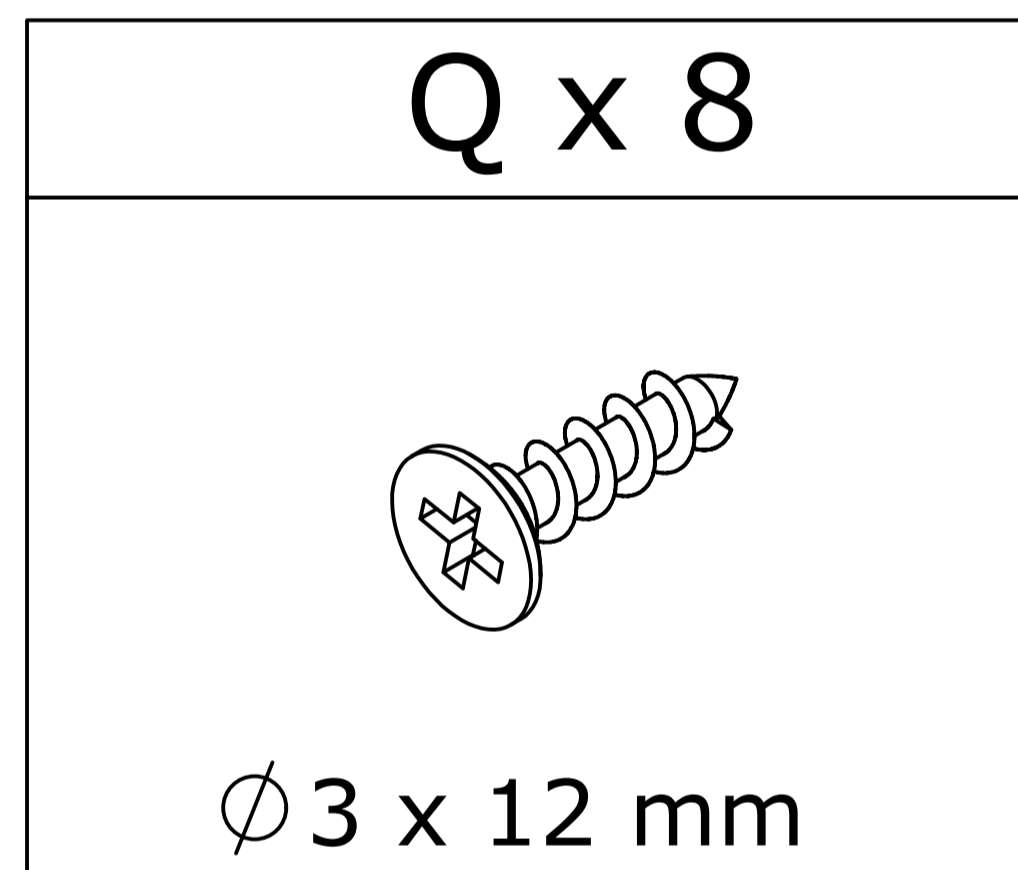
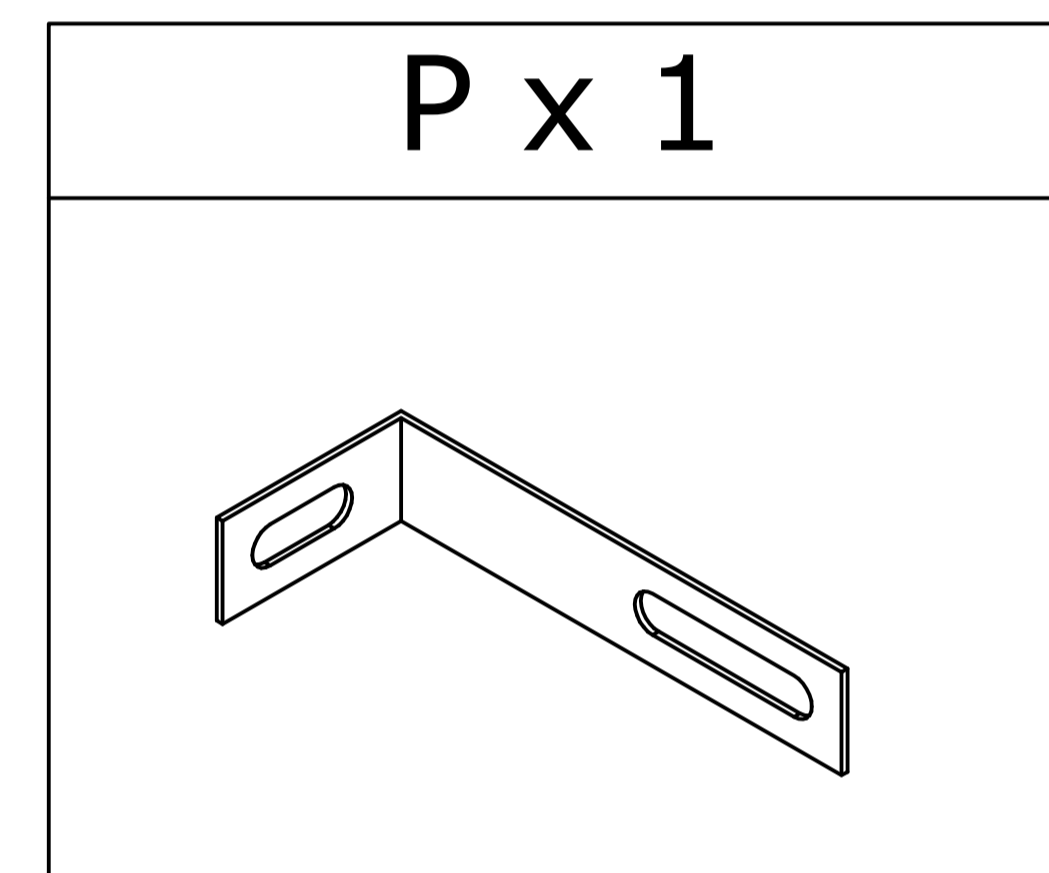
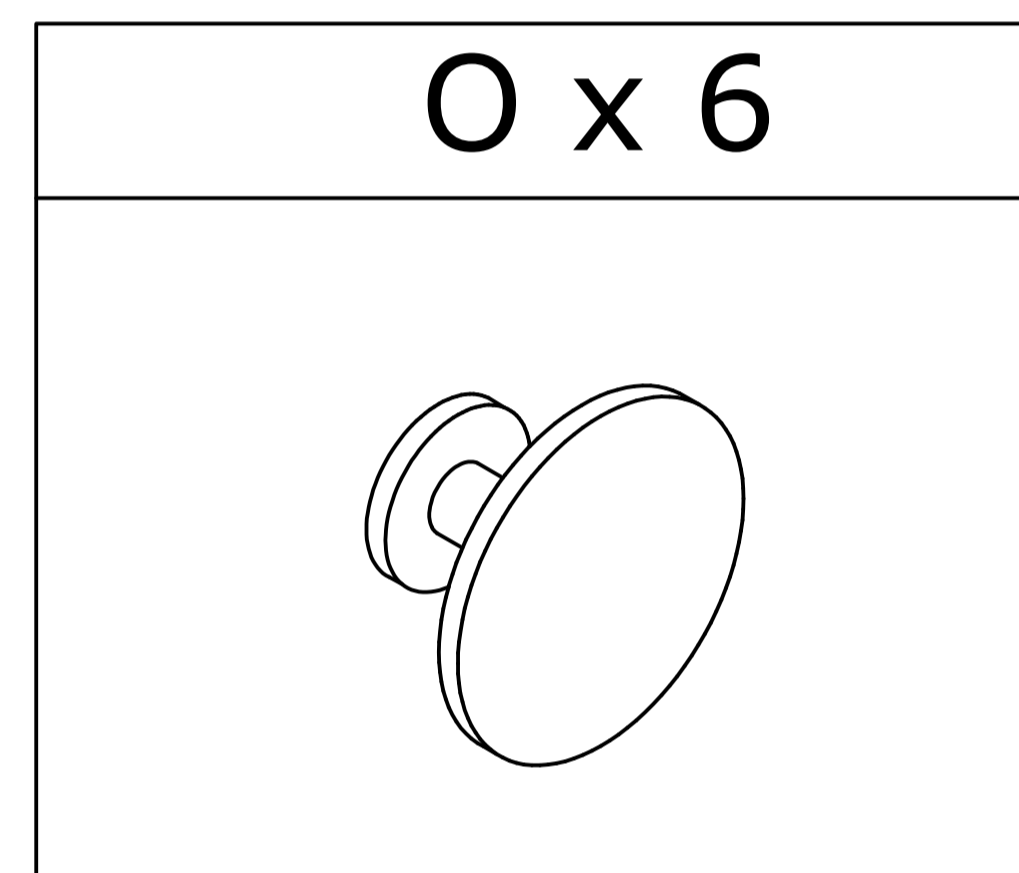
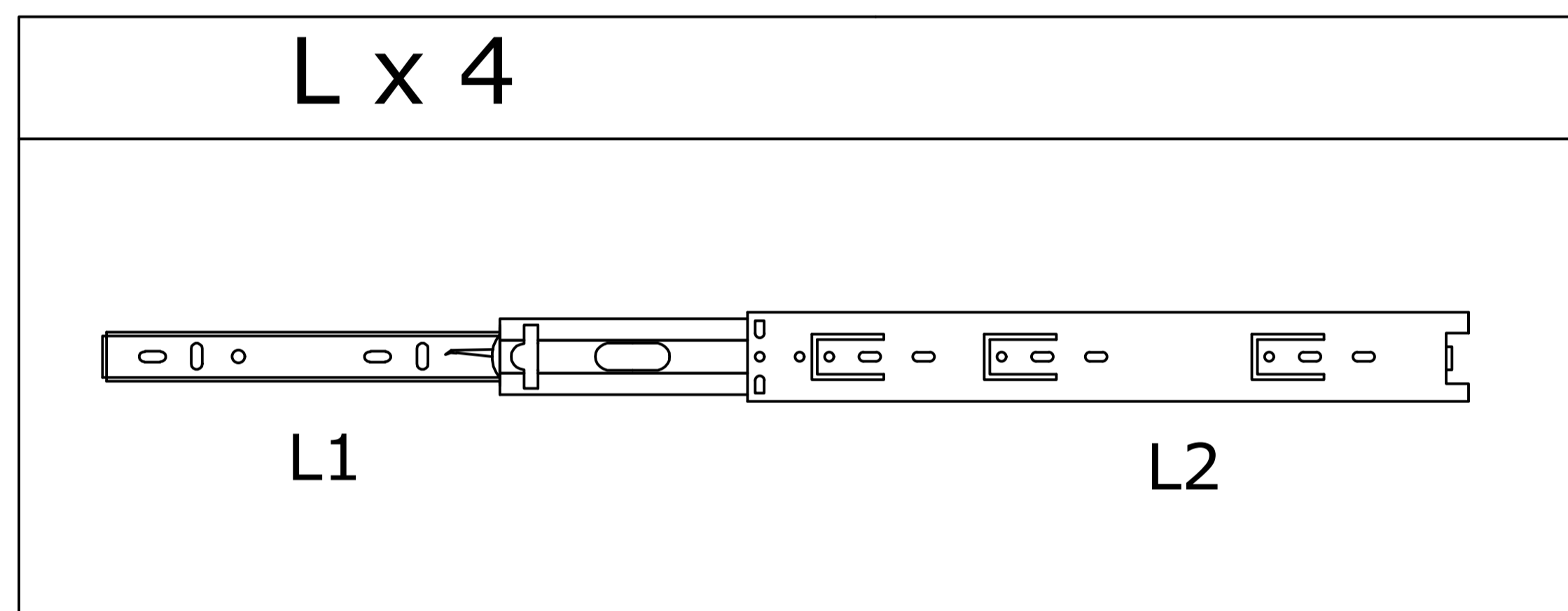
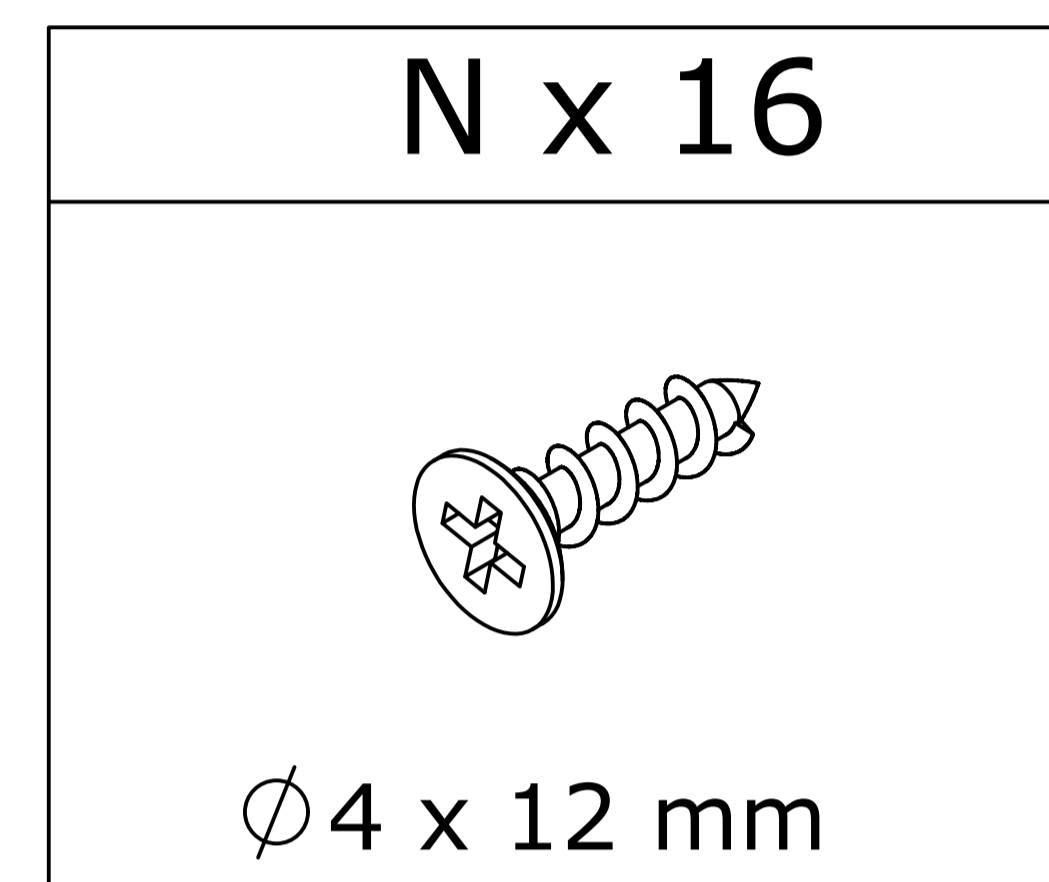
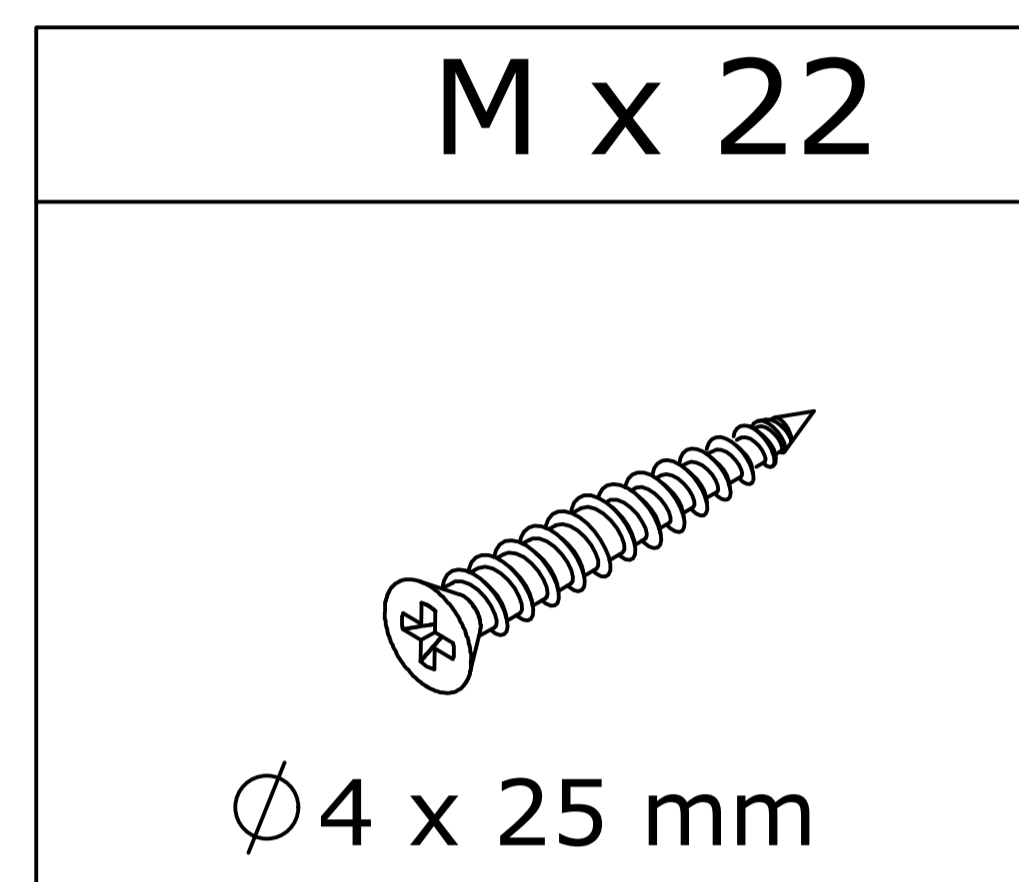
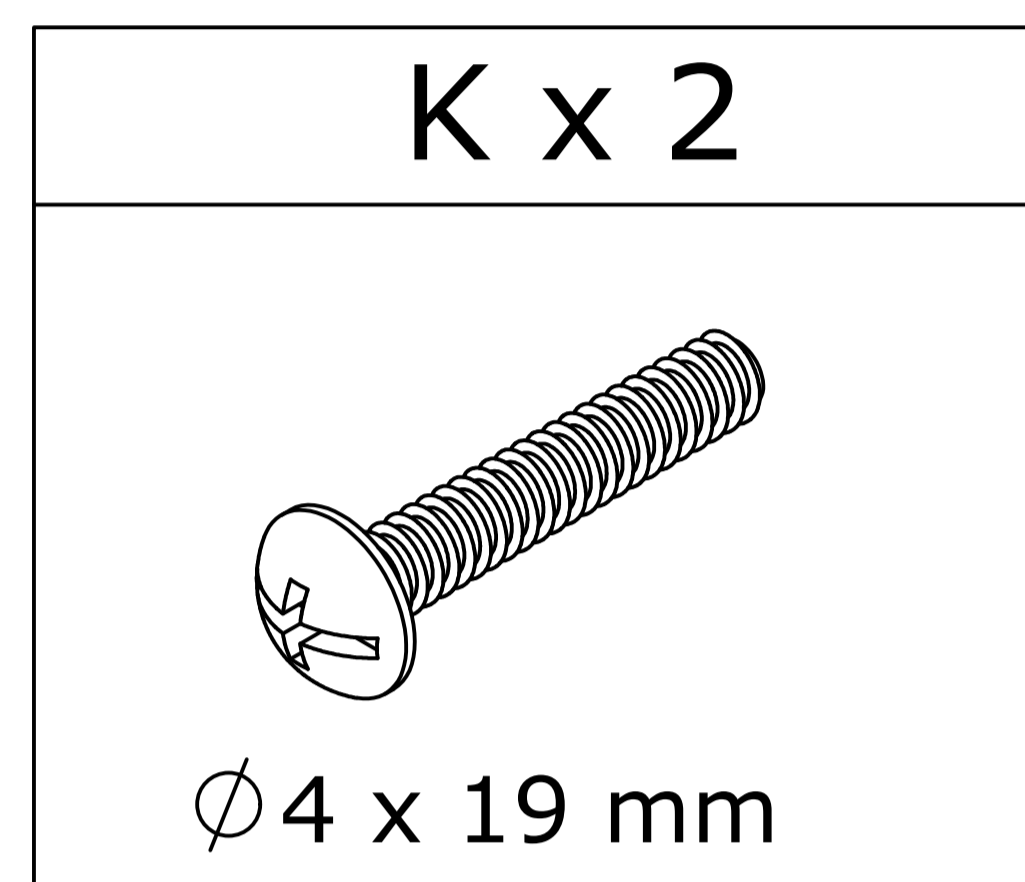
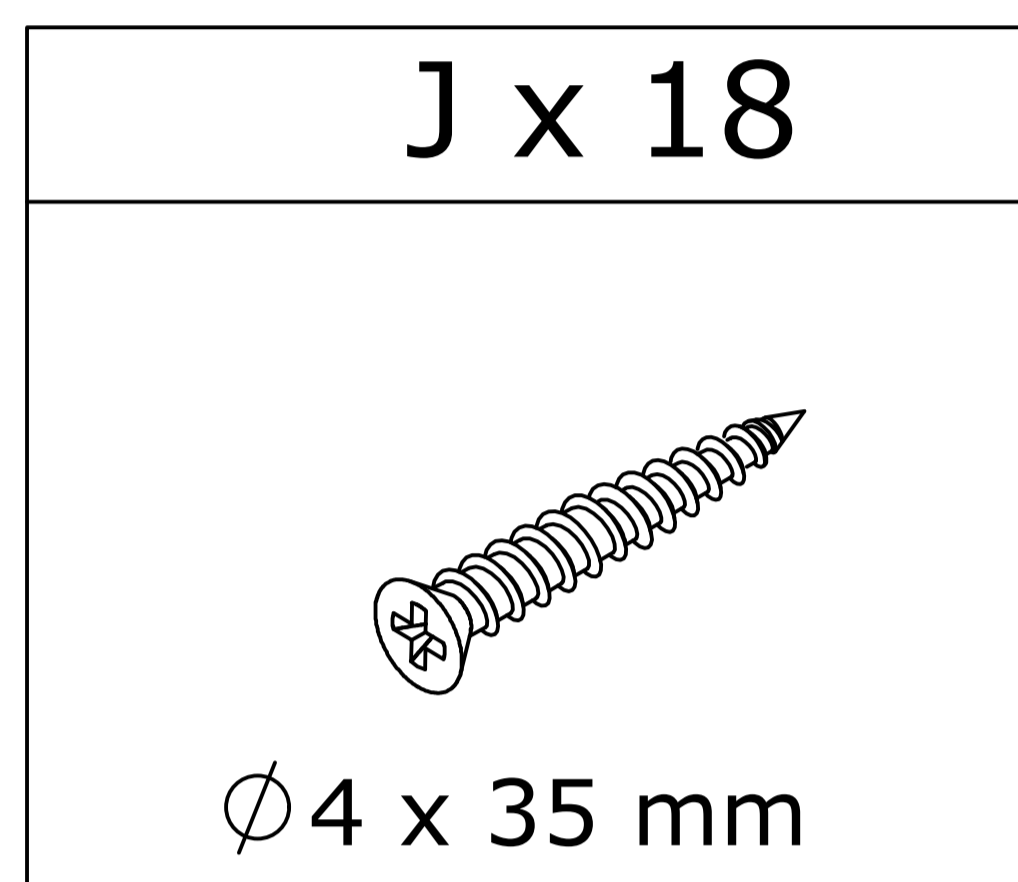
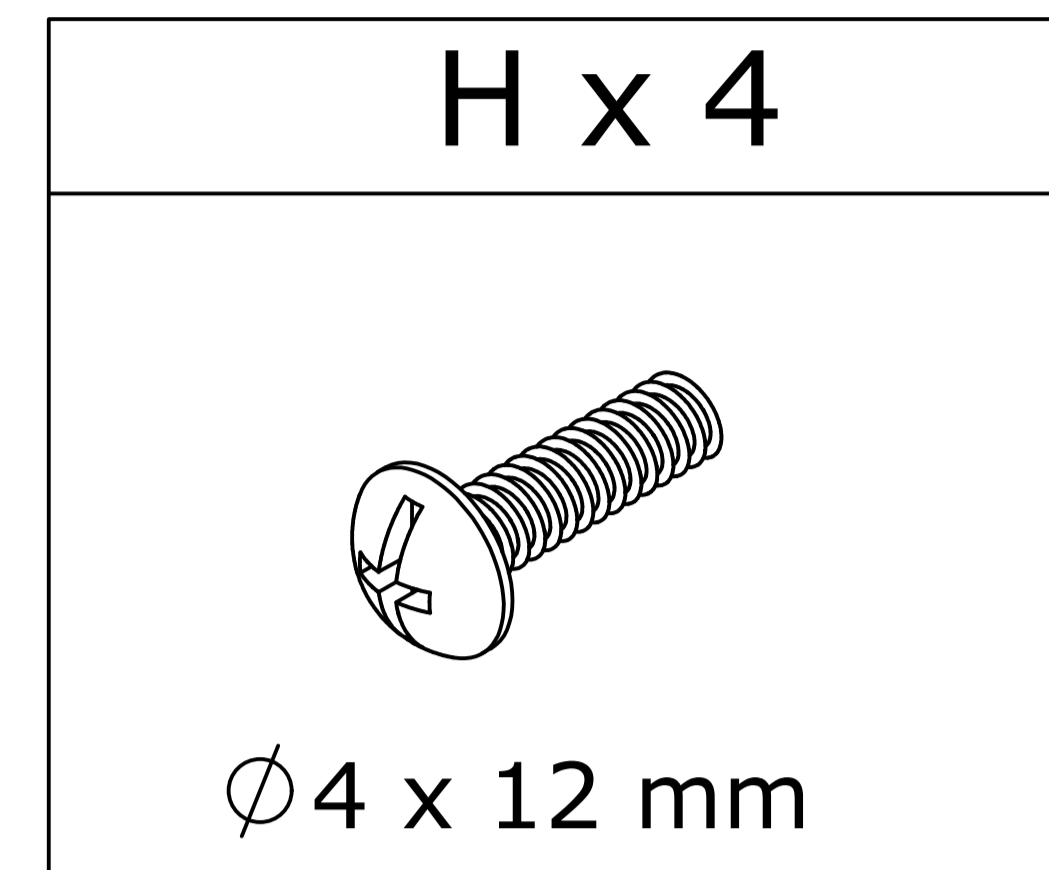
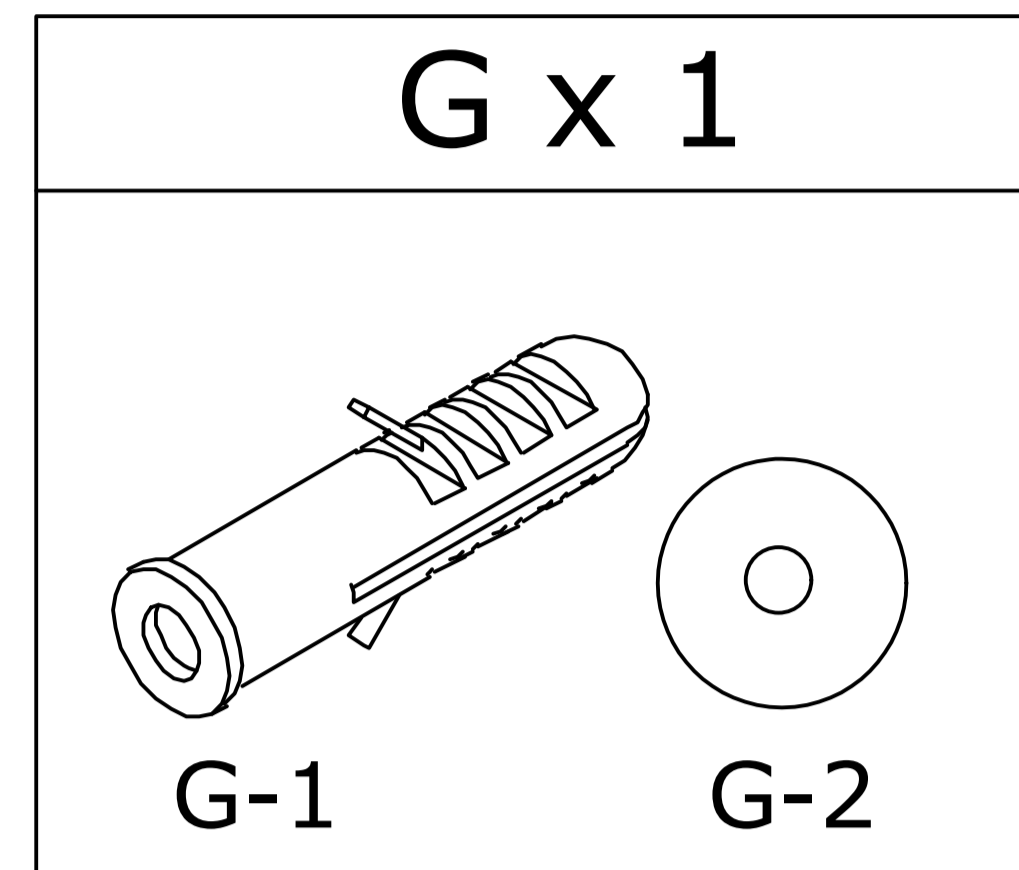
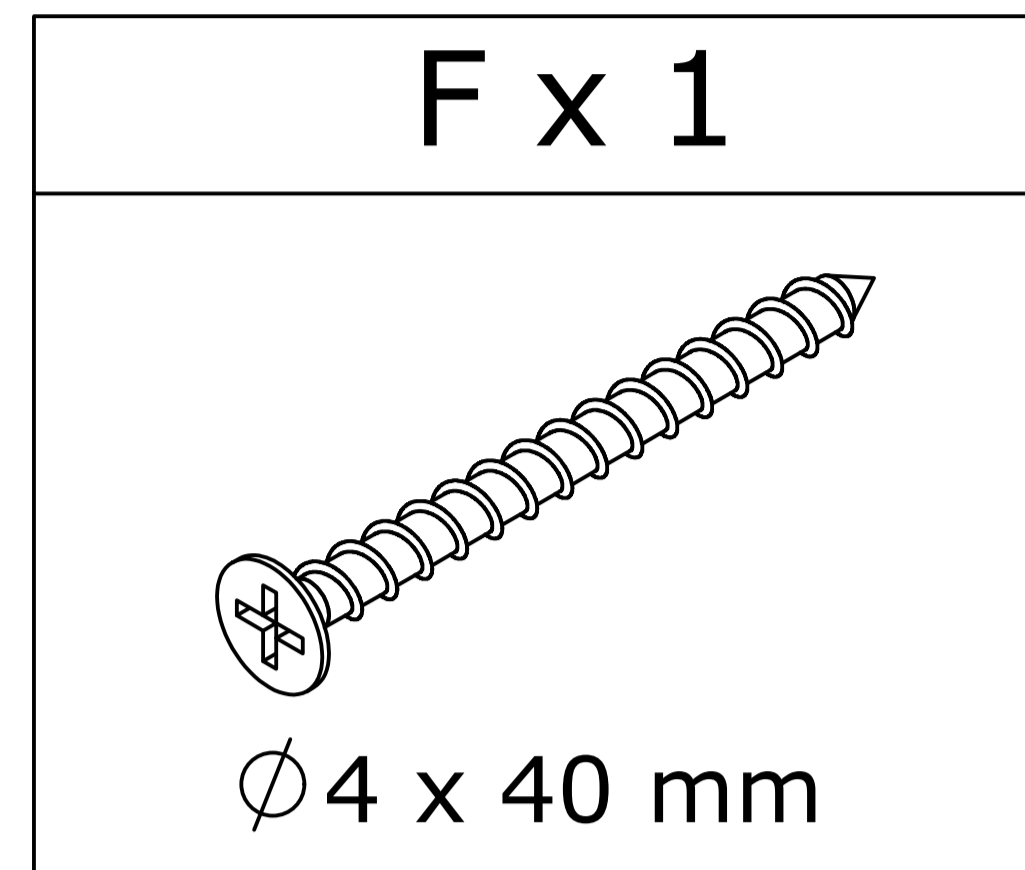
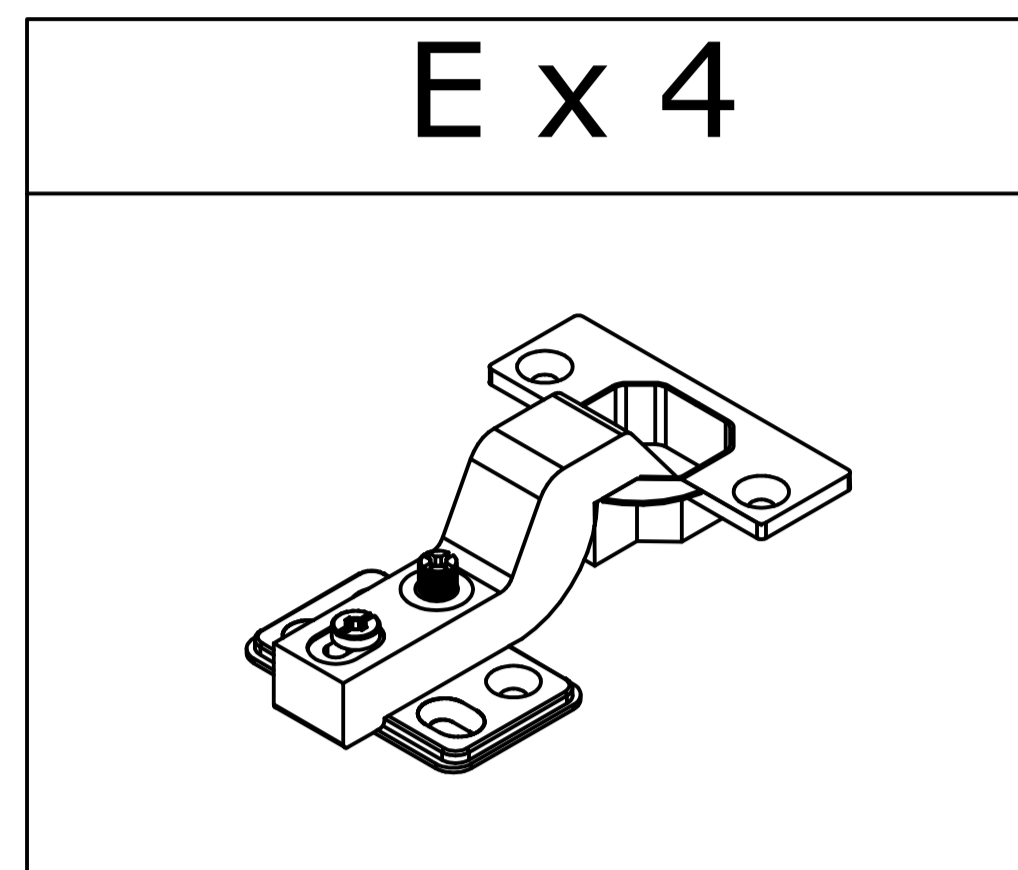
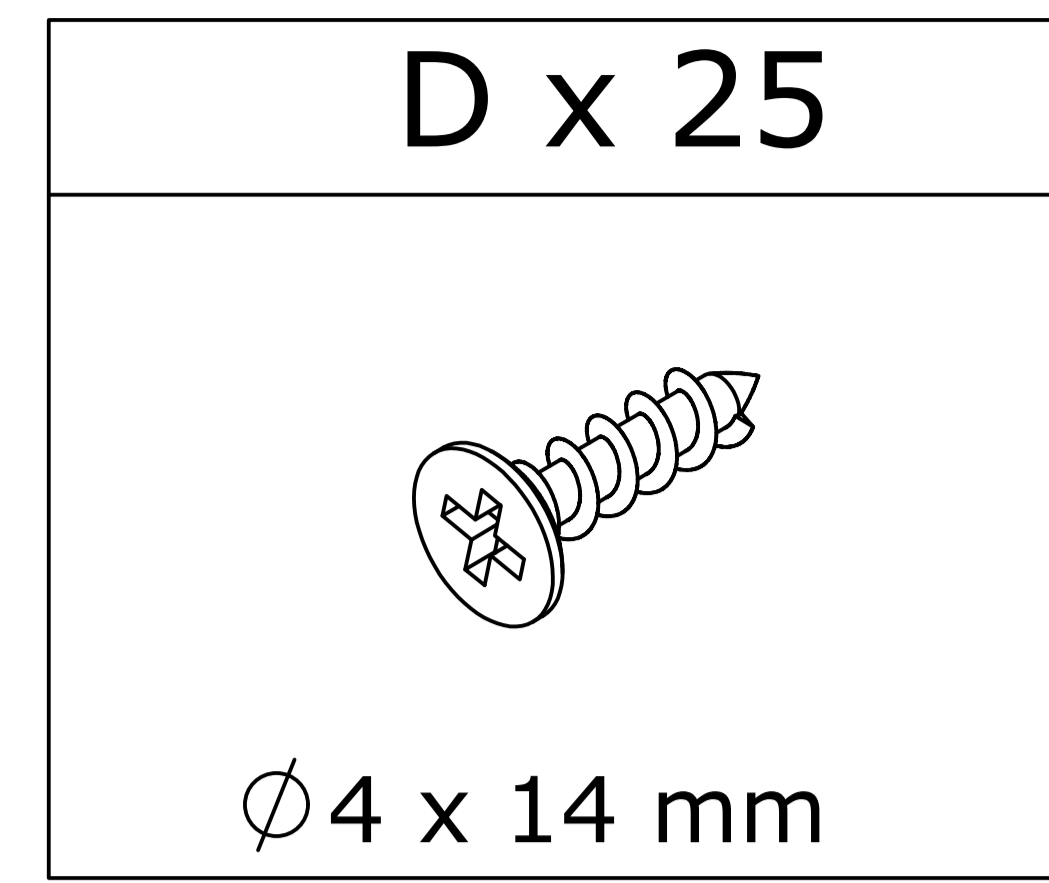
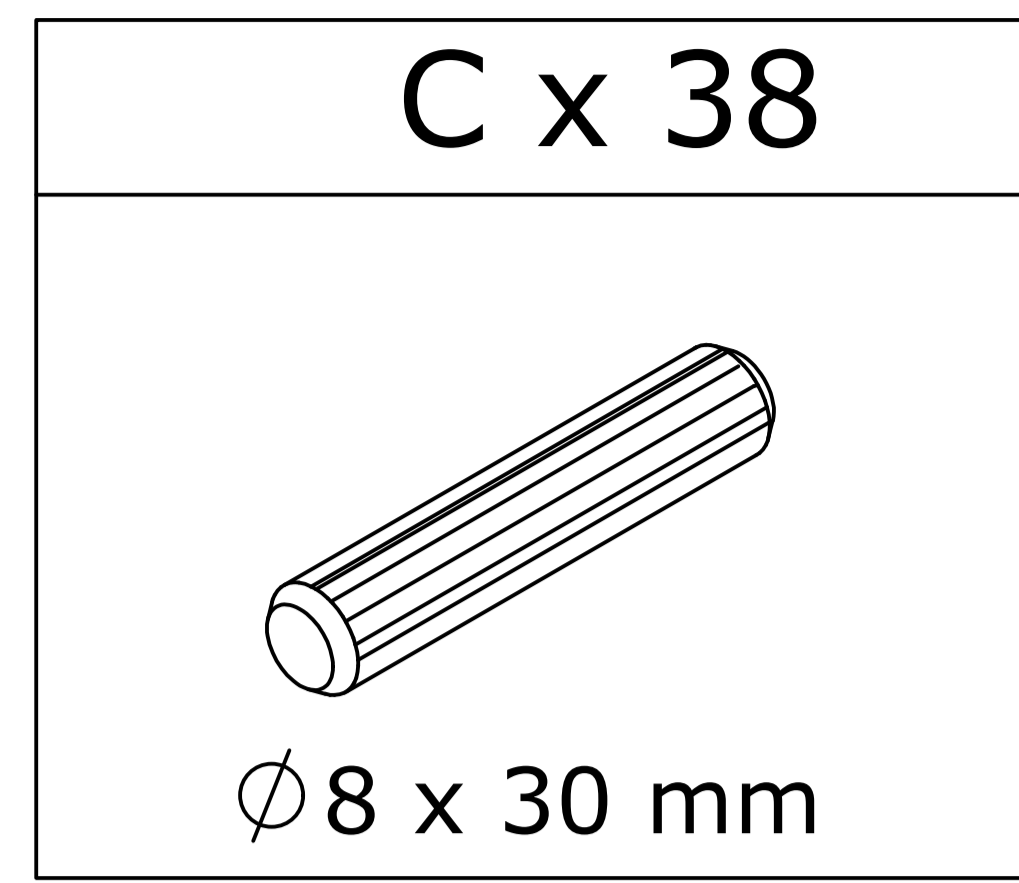
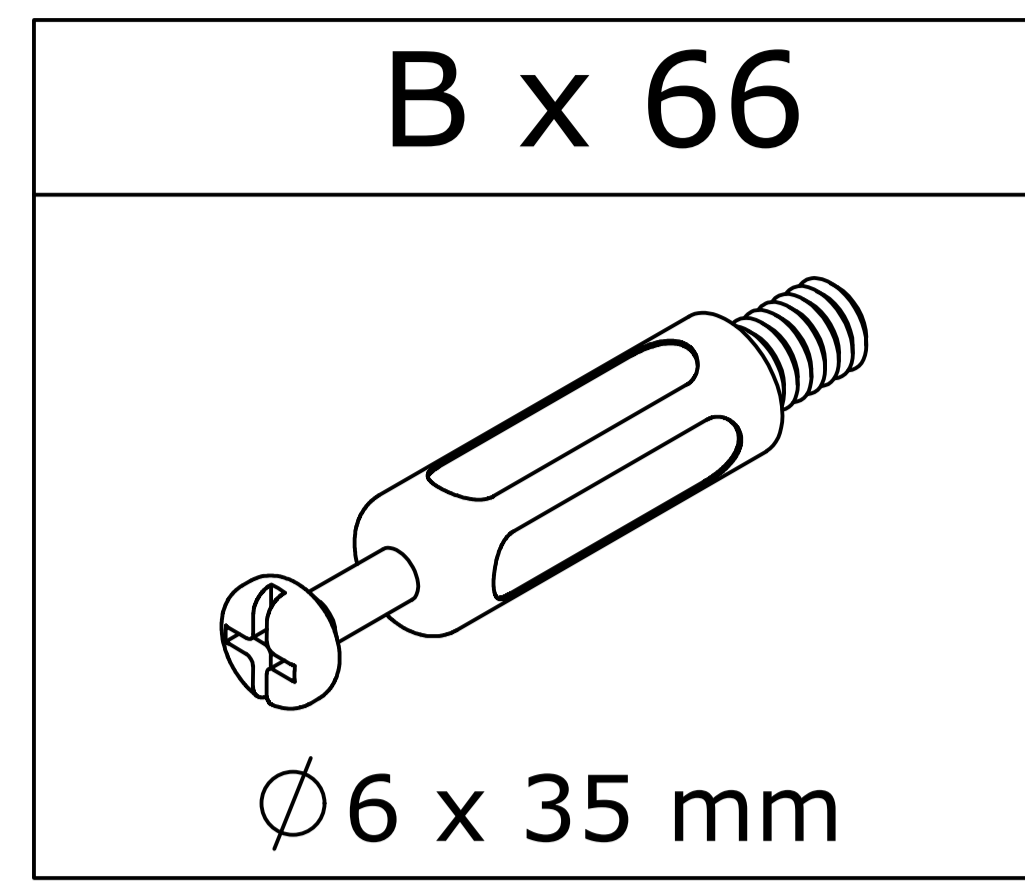
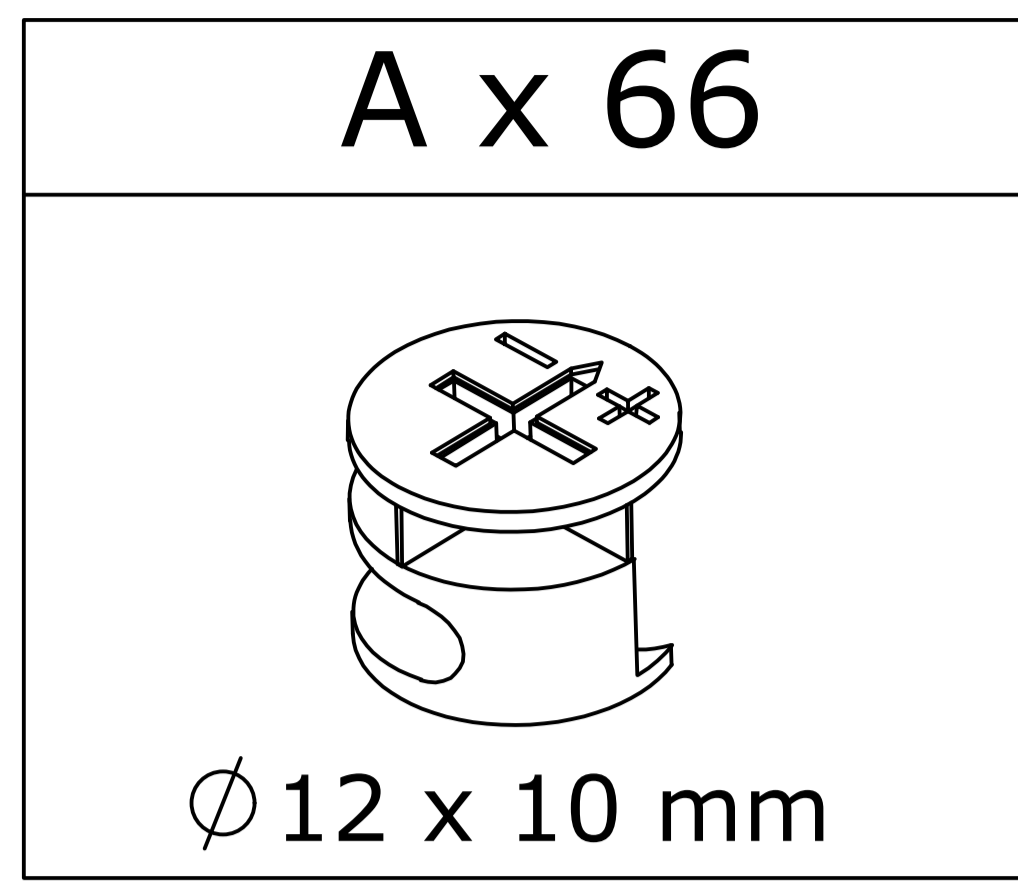
③④ x1



③⑤ x1

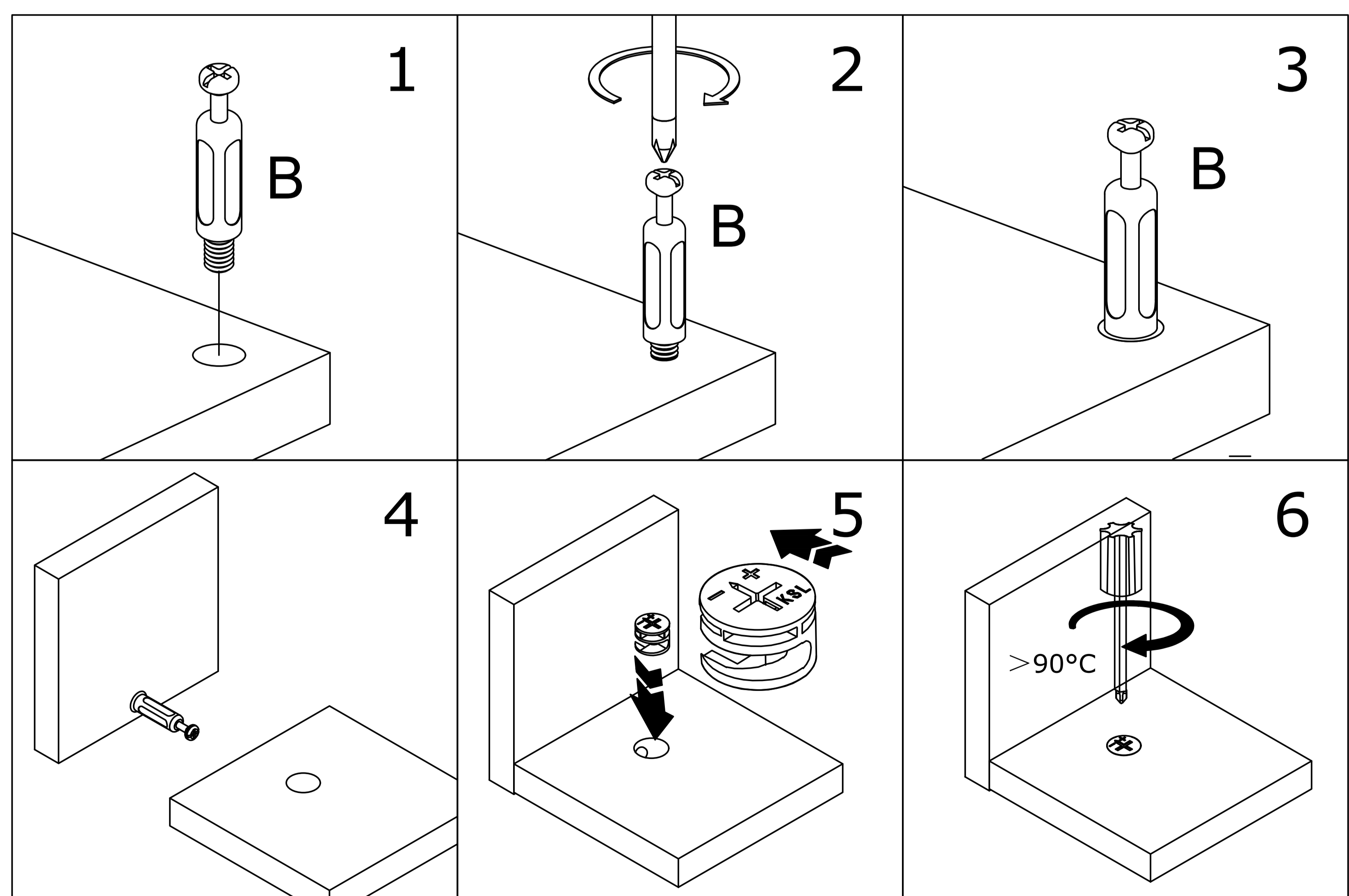
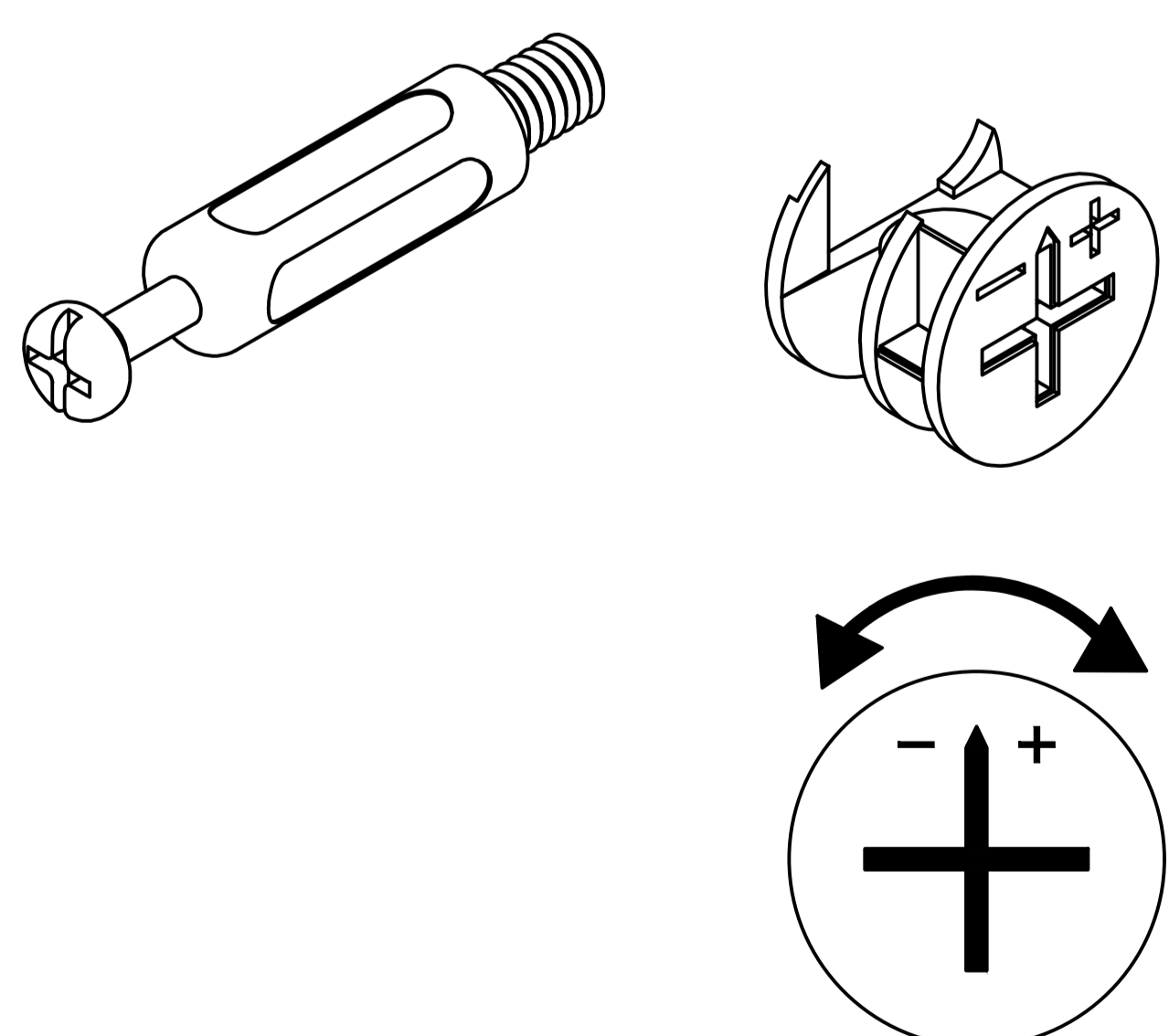


③⑥ x1



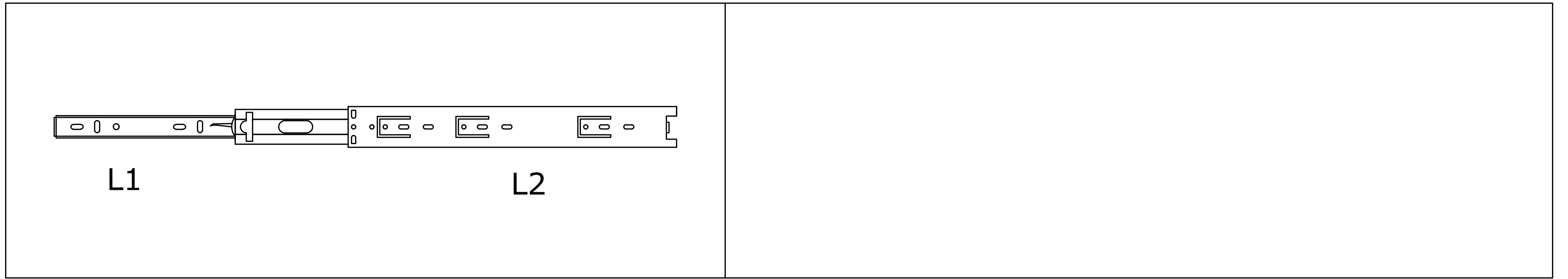
Cam Lock Fastening System

This Cam Lock Fastening System will be used throughout the assembly process



Point the opening towards the edge of the board.

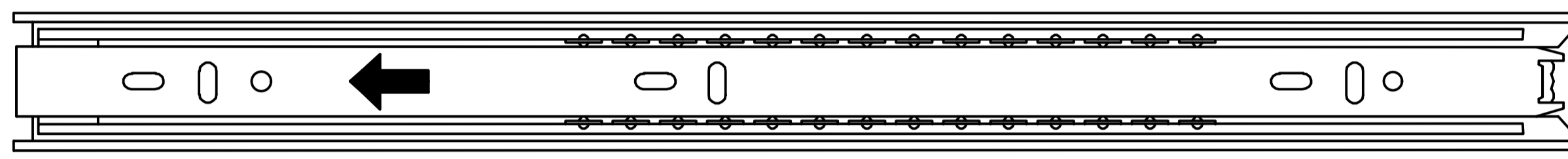
1



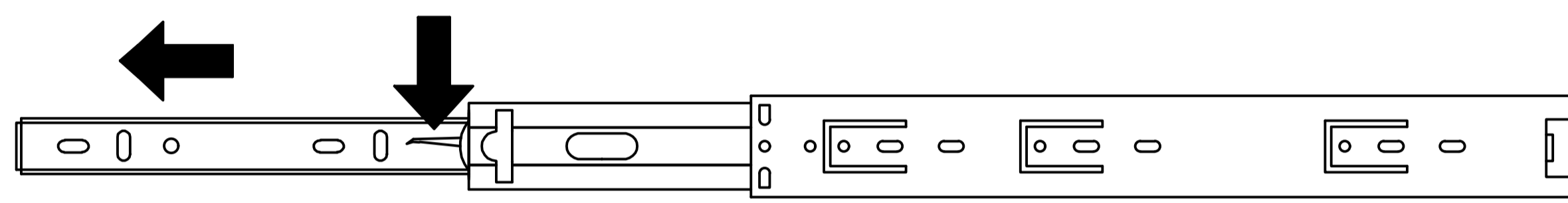
TIPS

How To Separate A Ball Bearing Slider

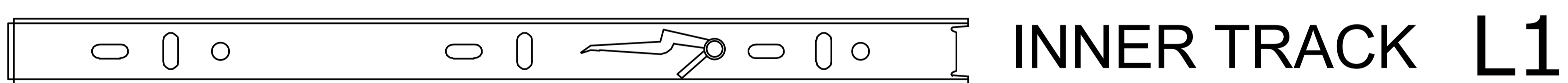
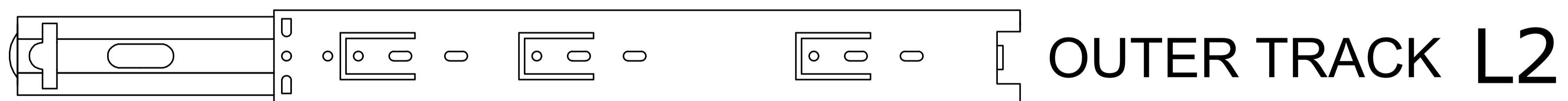
1) Pull toward arrow to open the slider until it's stops and then flip it over



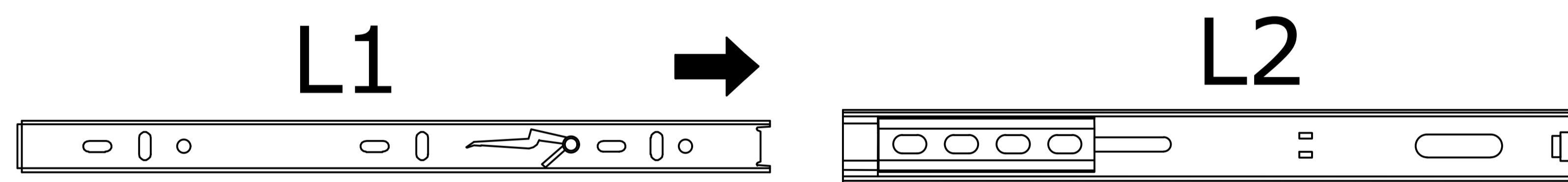
2) Push plastic lever down and pull apart the slider at the same time



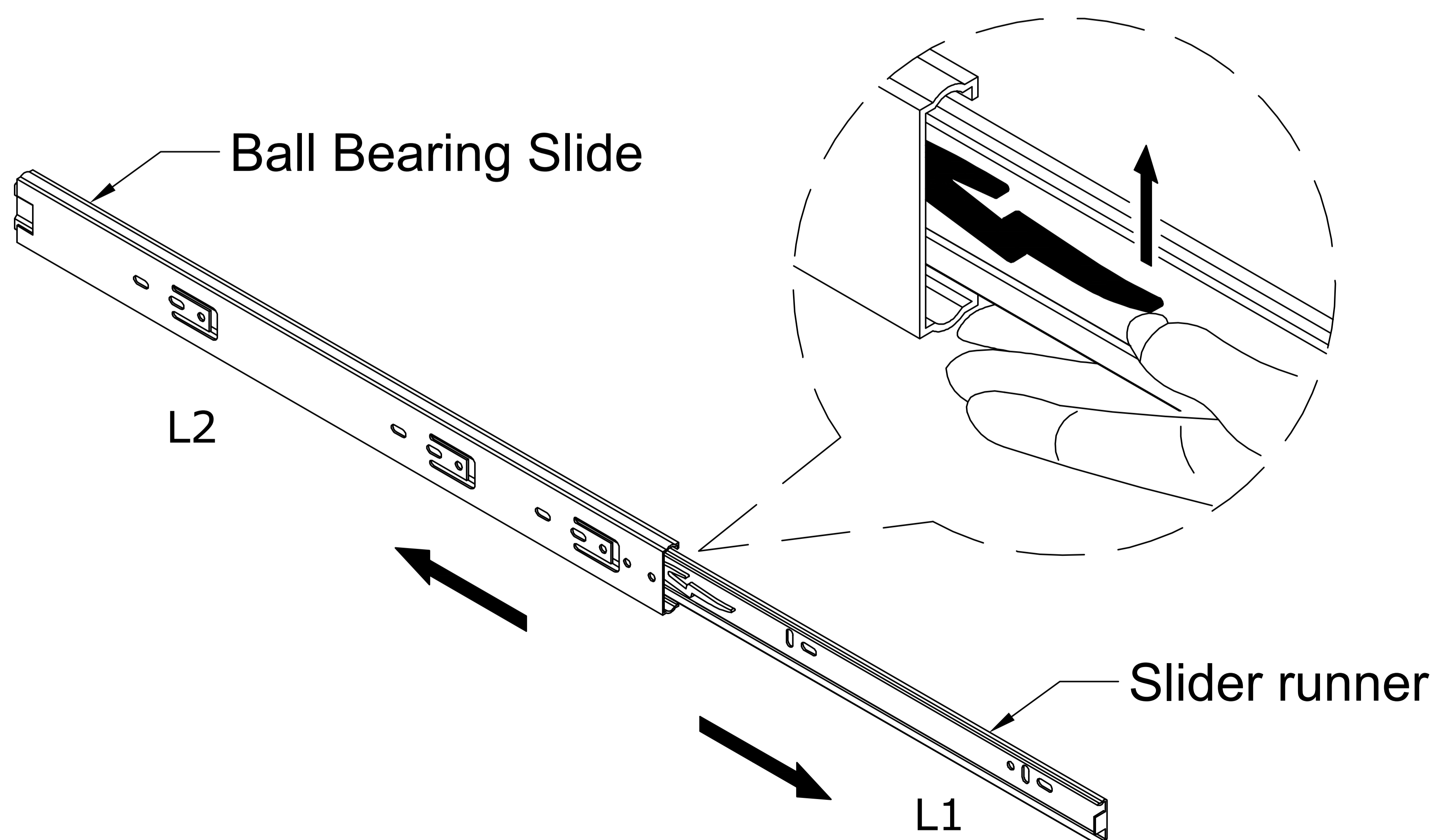
3) After disassembly



How to Assemble the Slider



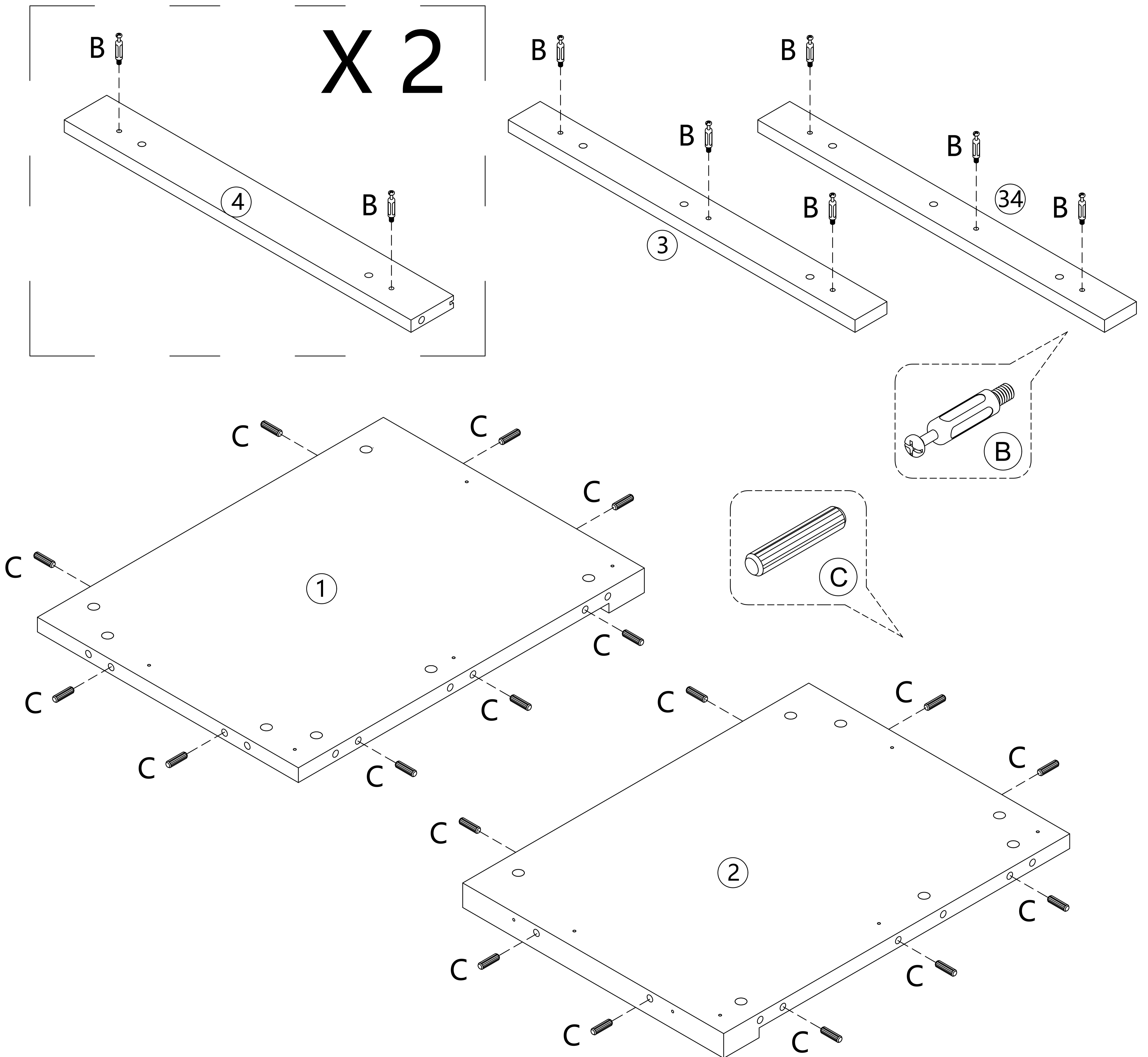
Align the outer track(L2) with the center of the inner track(L1) and push in.



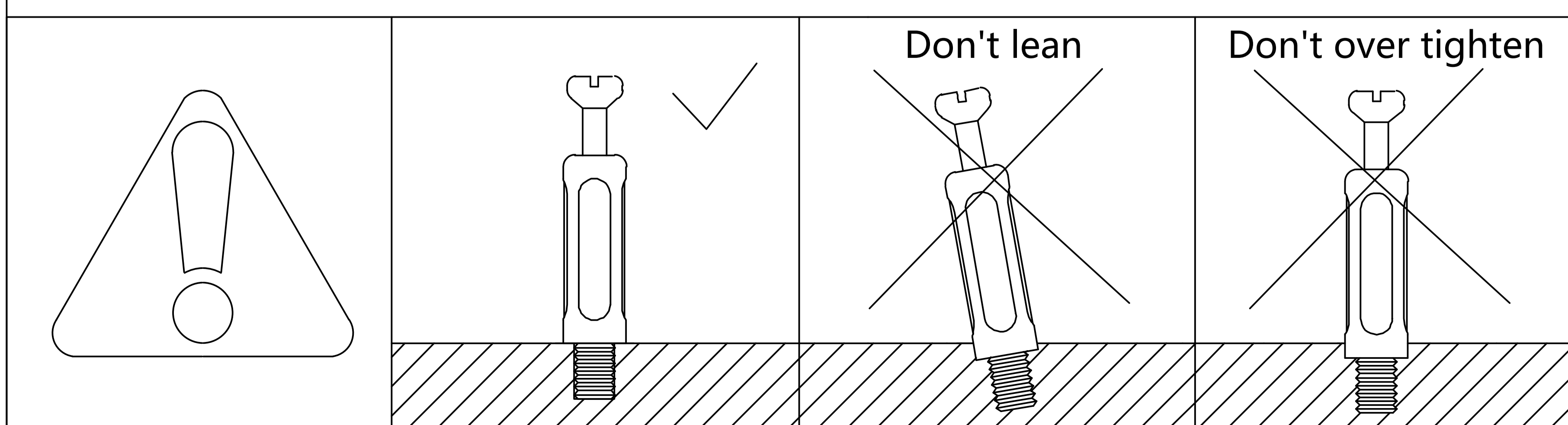
2

<p>B x 10</p>  <p>Ø 6 x 35 mm</p>	<p>C x 18</p>  <p>Ø 8 x 30 mm</p>	
--	--	--

- Refer to the illustration.
Insert the wooden rod (C) into the board, screw in the screw (B) into the board, and tighten it carefully.

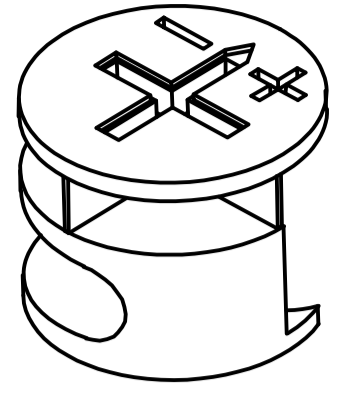


Reference case images



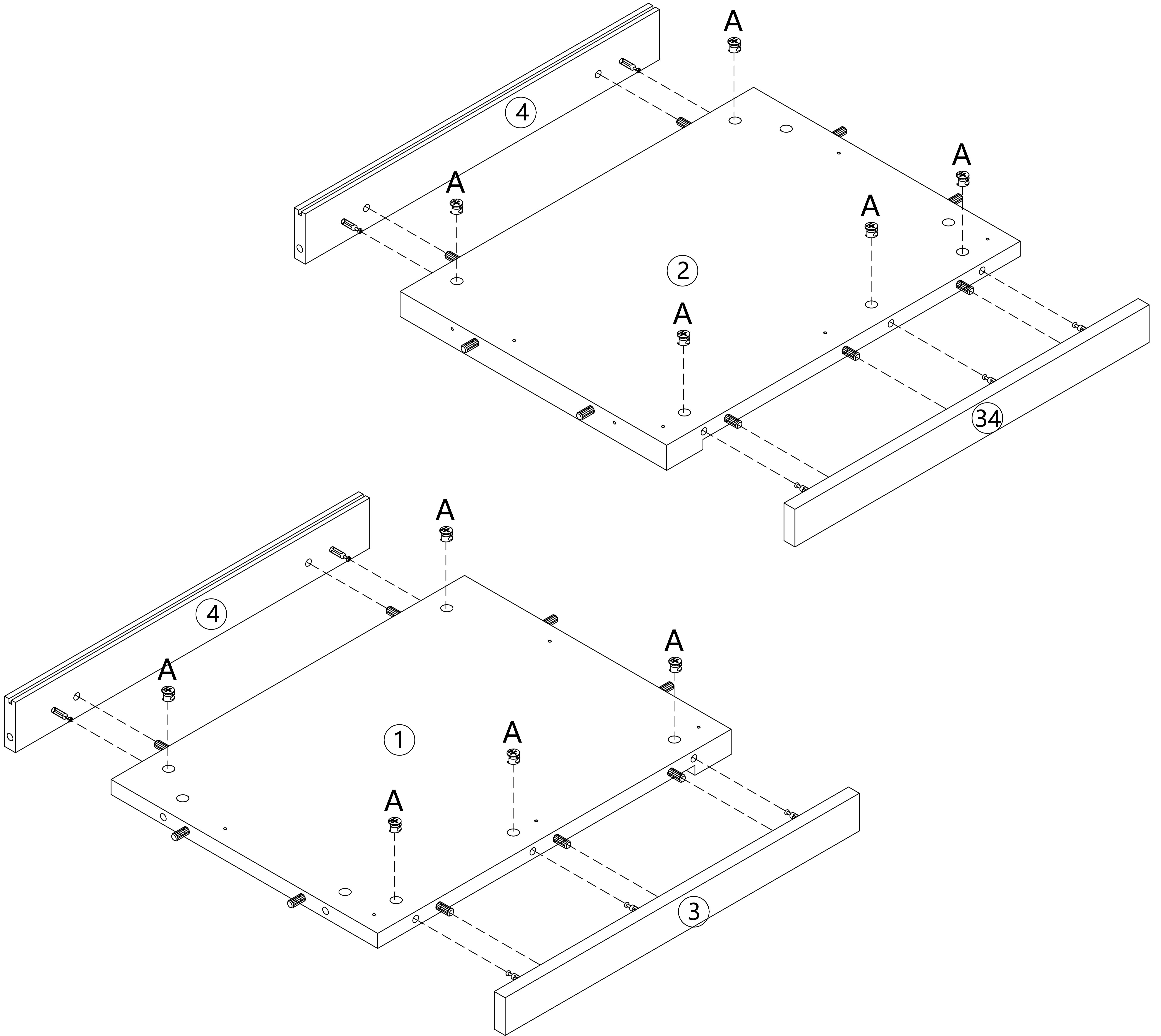
3

A x 10



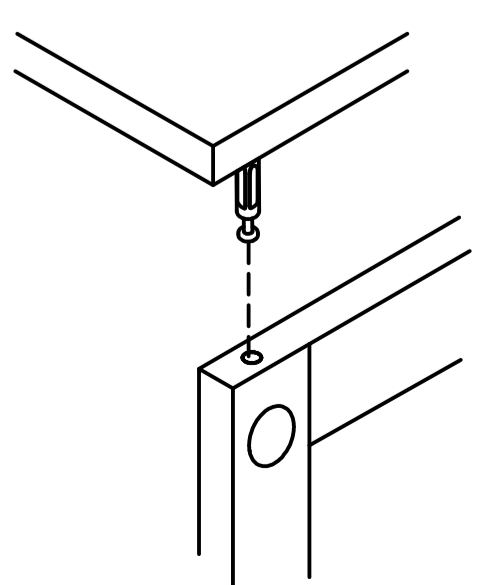
Ø 12 x 10 mm

- Refer to the illustration.
Tighten the buckle (A).

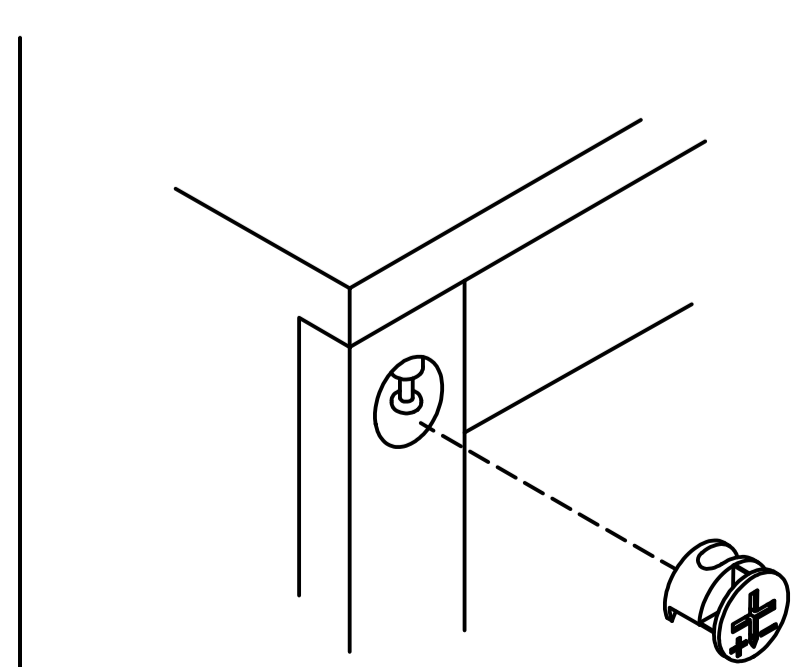


Reference case images

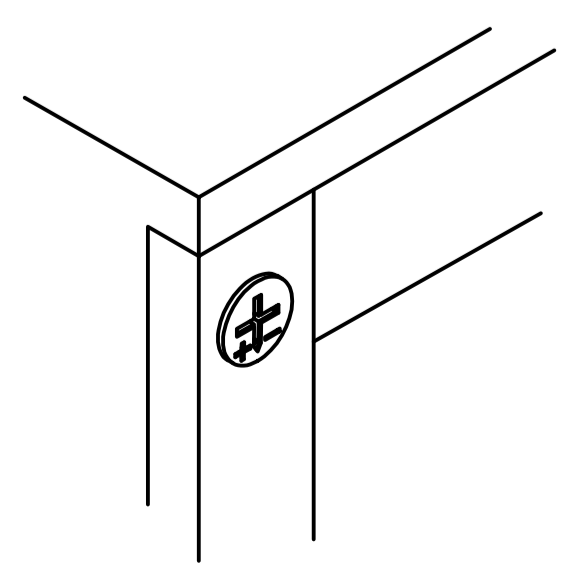
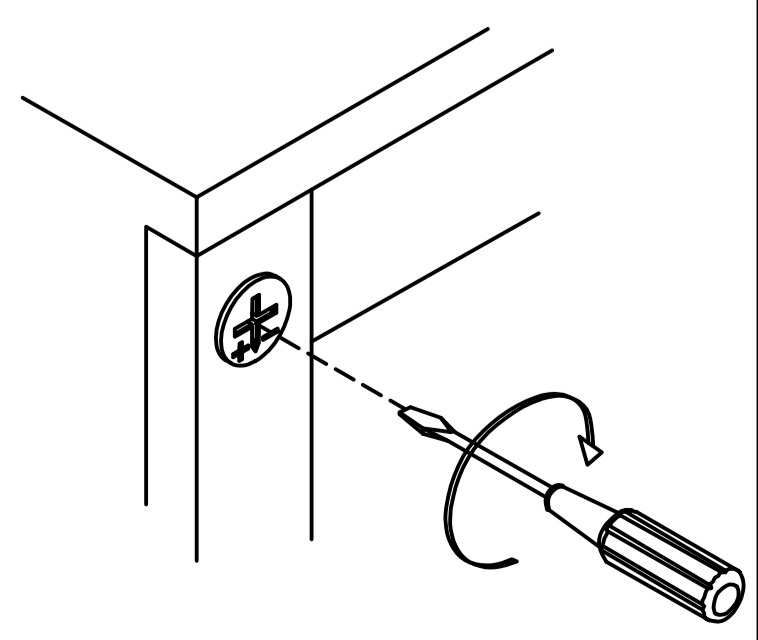
(1)



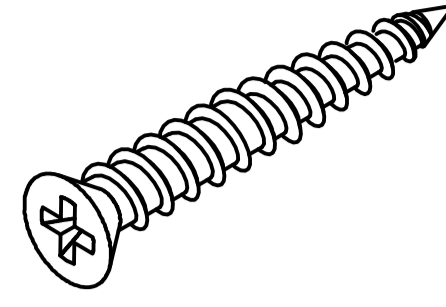
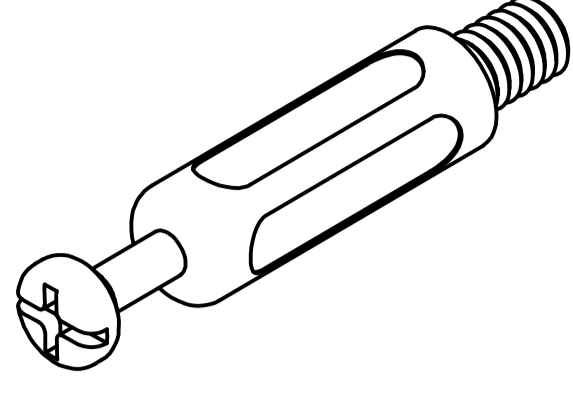
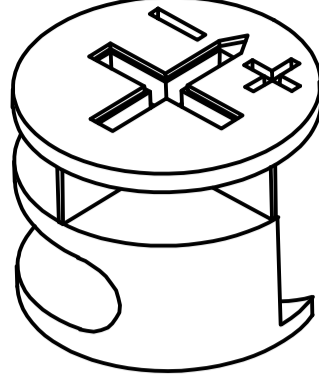
(2)



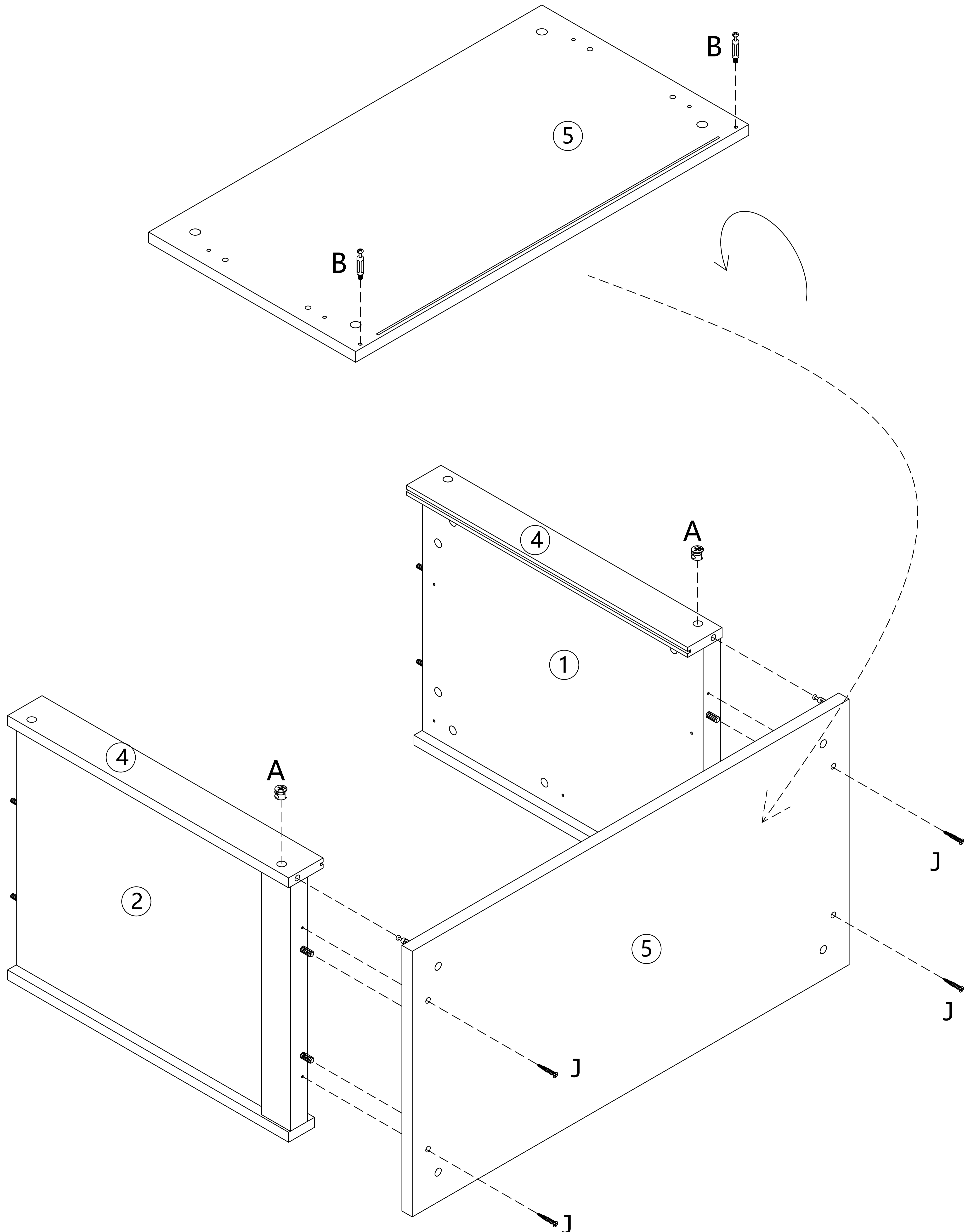
(3)



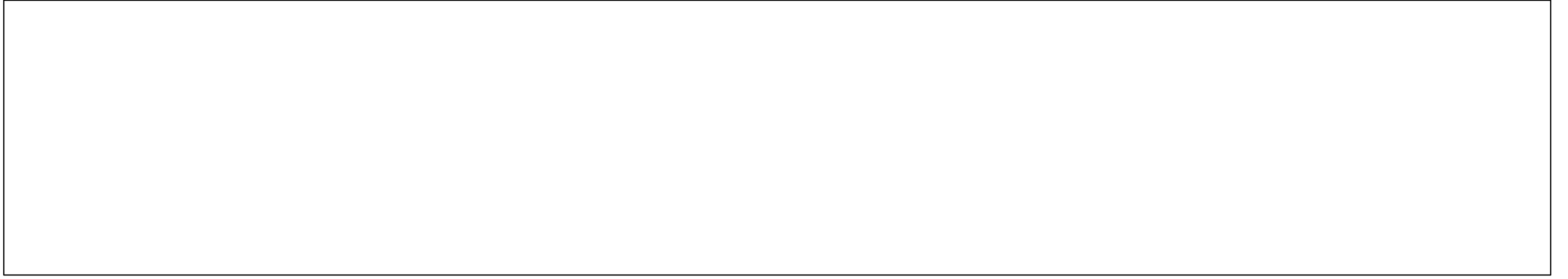
4

<p>J x 4</p>  <p>Ø 4 x 35 mm</p>	<p>B x 2</p>  <p>Ø 6 x 35 mm</p>	<p>A x 2</p>  <p>Ø 12 x 10 mm</p>	
---	---	--	--

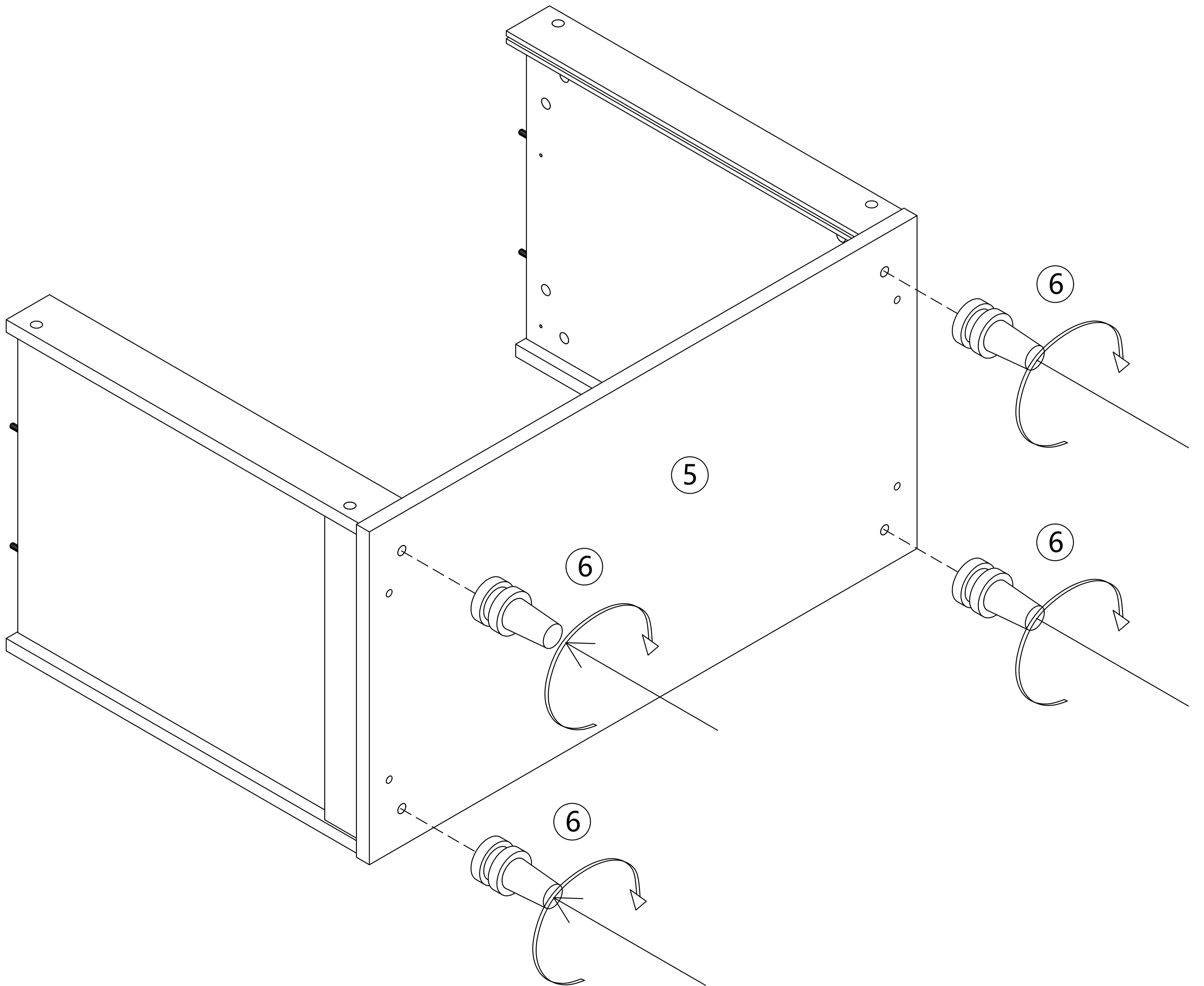
- Refer to the illustration.
First, screw screw (B) into plate (5), flip it over to connect with (1) and (2), fasten buckle (A), and then secure screw (J).



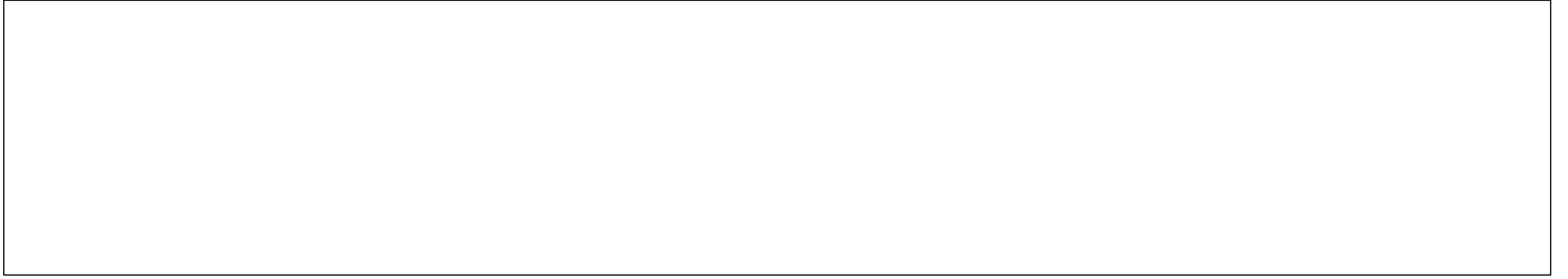
5



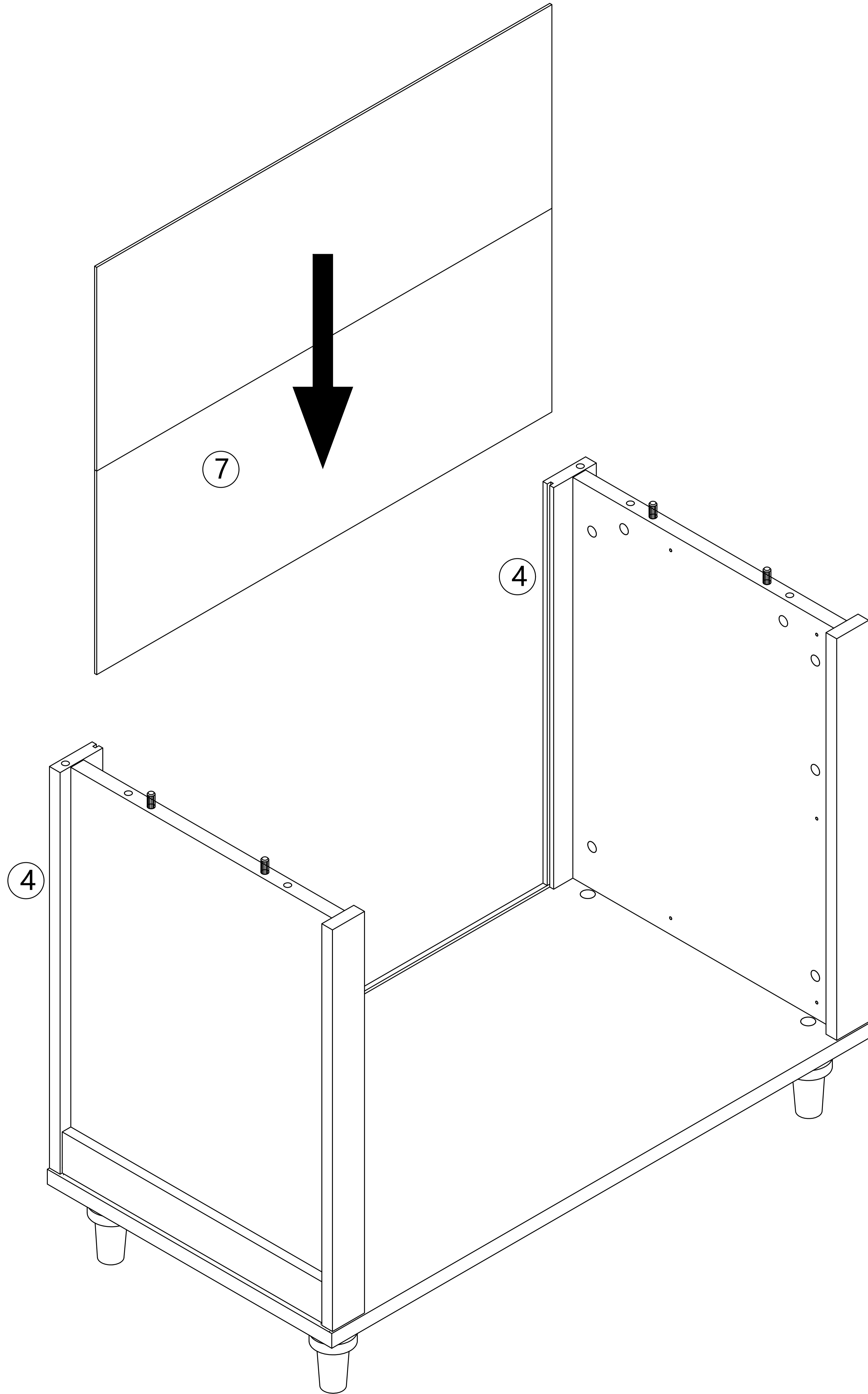
- Refer to the illustration.
Screw the wooden leg (6) into the plate (5).



6

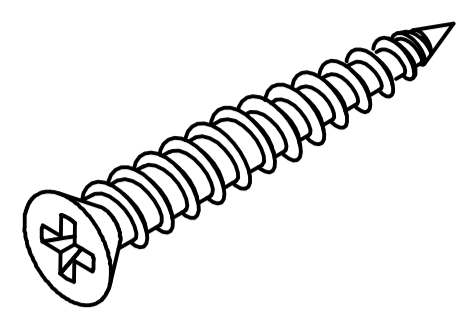


- Refer to the illustration.
Insert the plate (7).



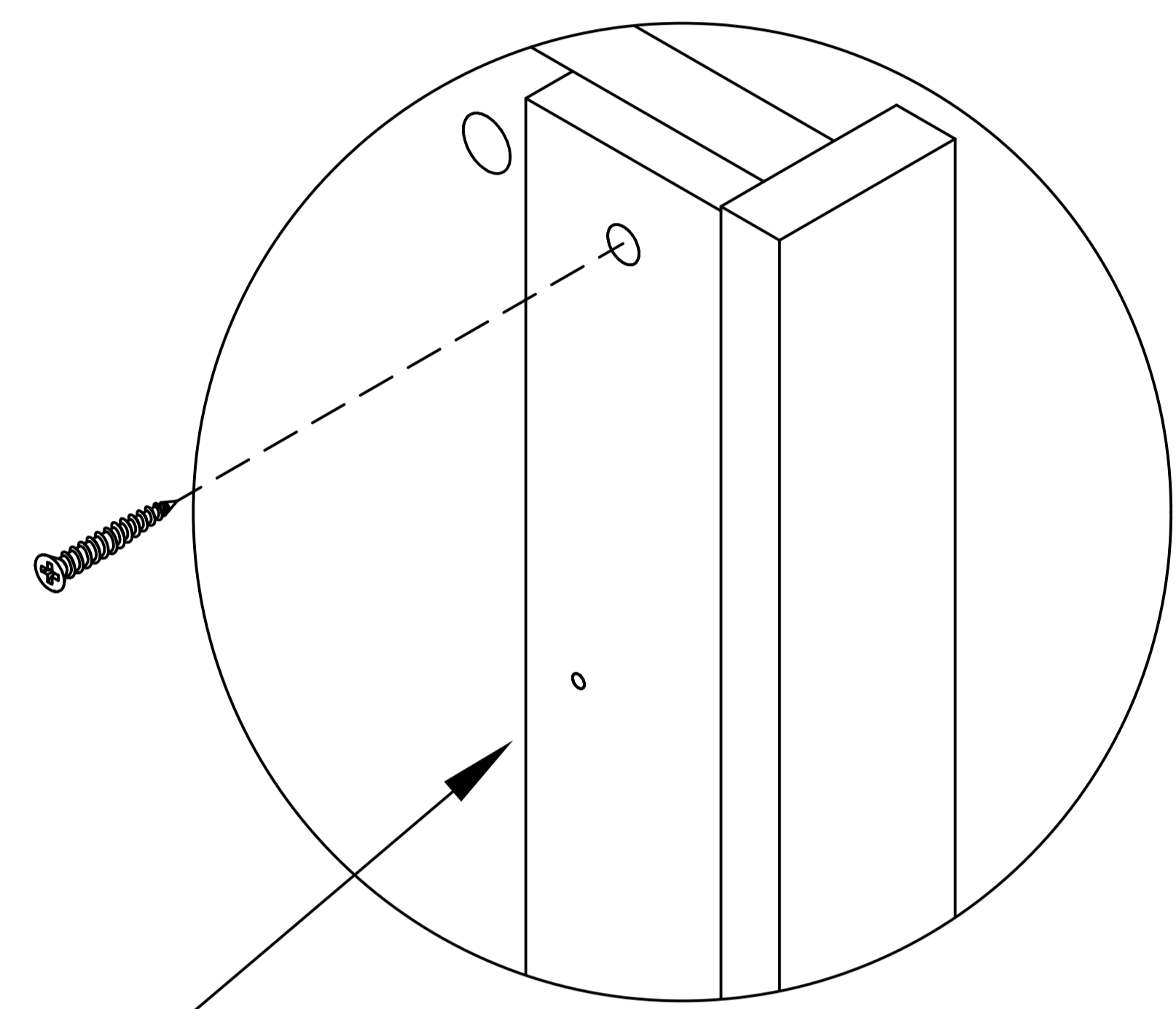
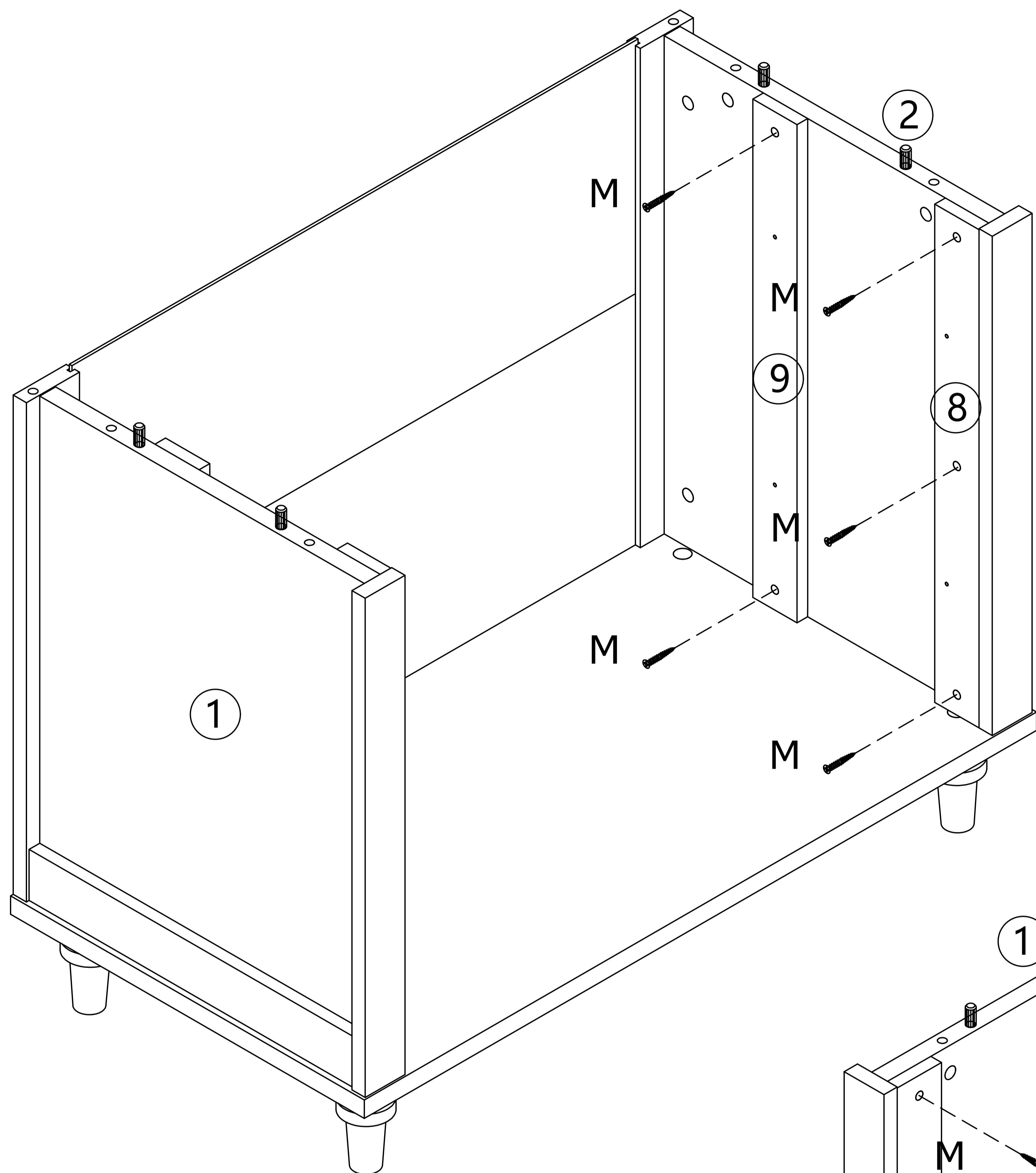
7

M x 10

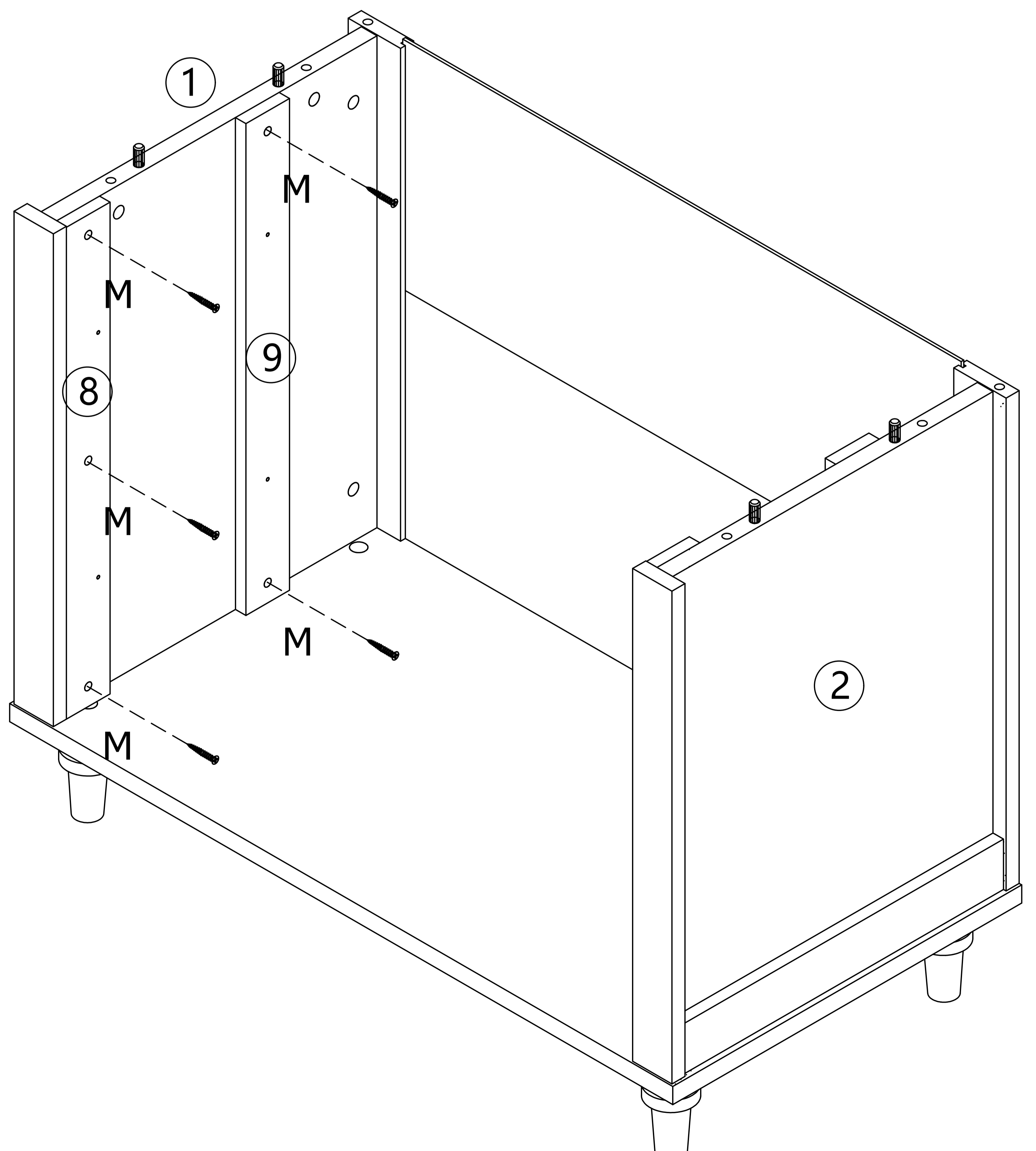


Ø4 x 25 mm

- Refer to the illustration.
Fix plates (8) and (9) to (1) and (2) with screws (M).

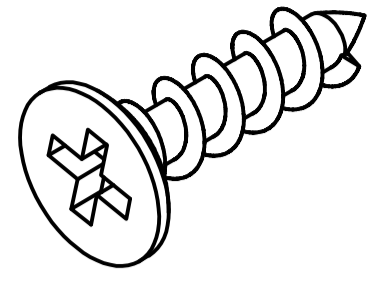


Note: When installing panel (8), align the holes toward the inside.



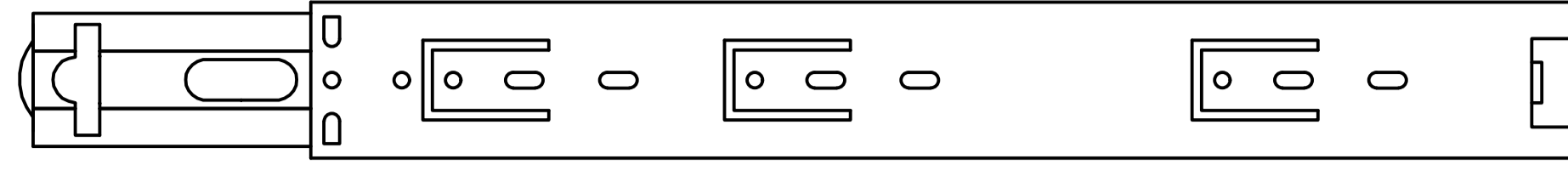
8

N x 8

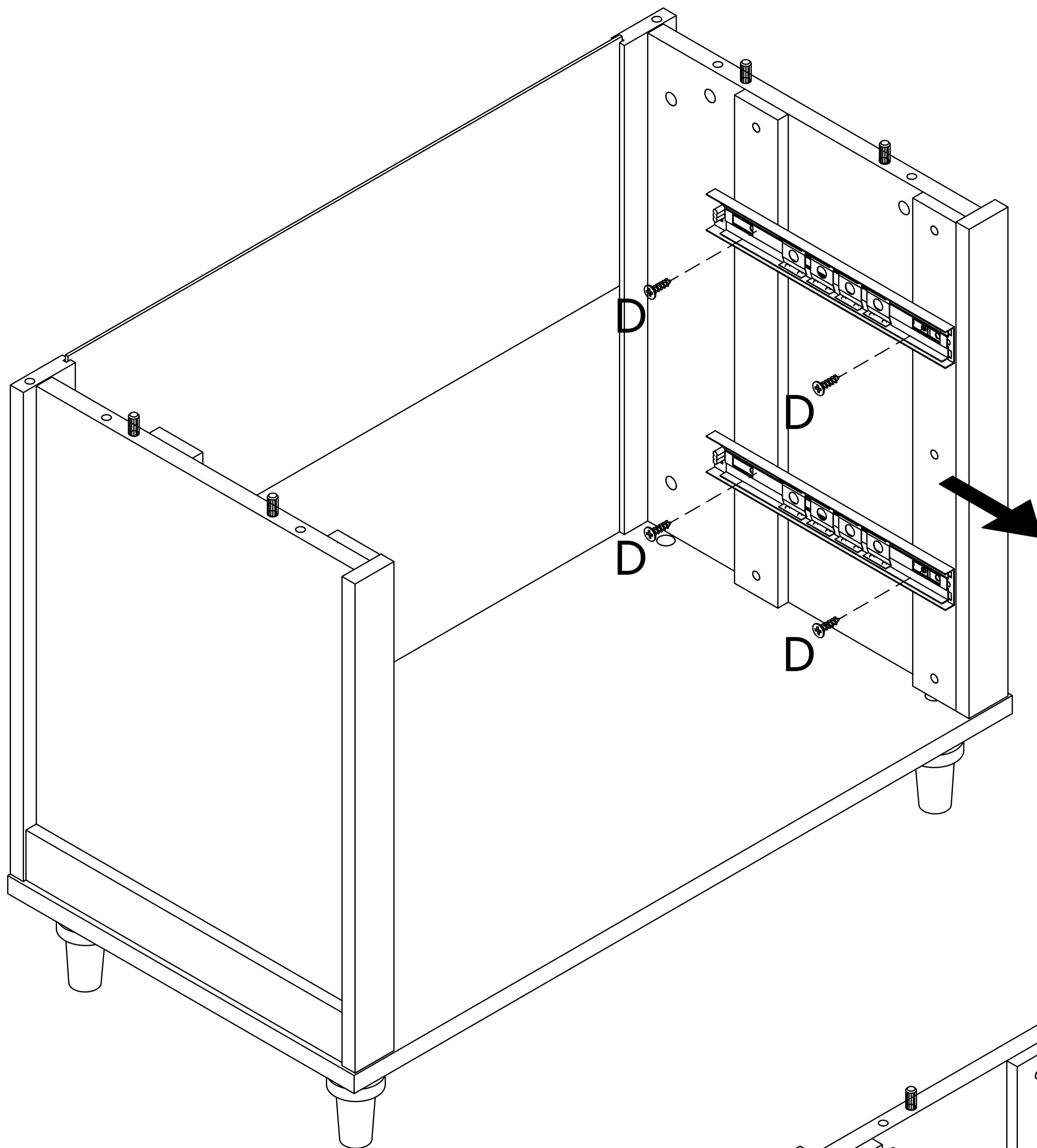


Ø4 x 12 mm

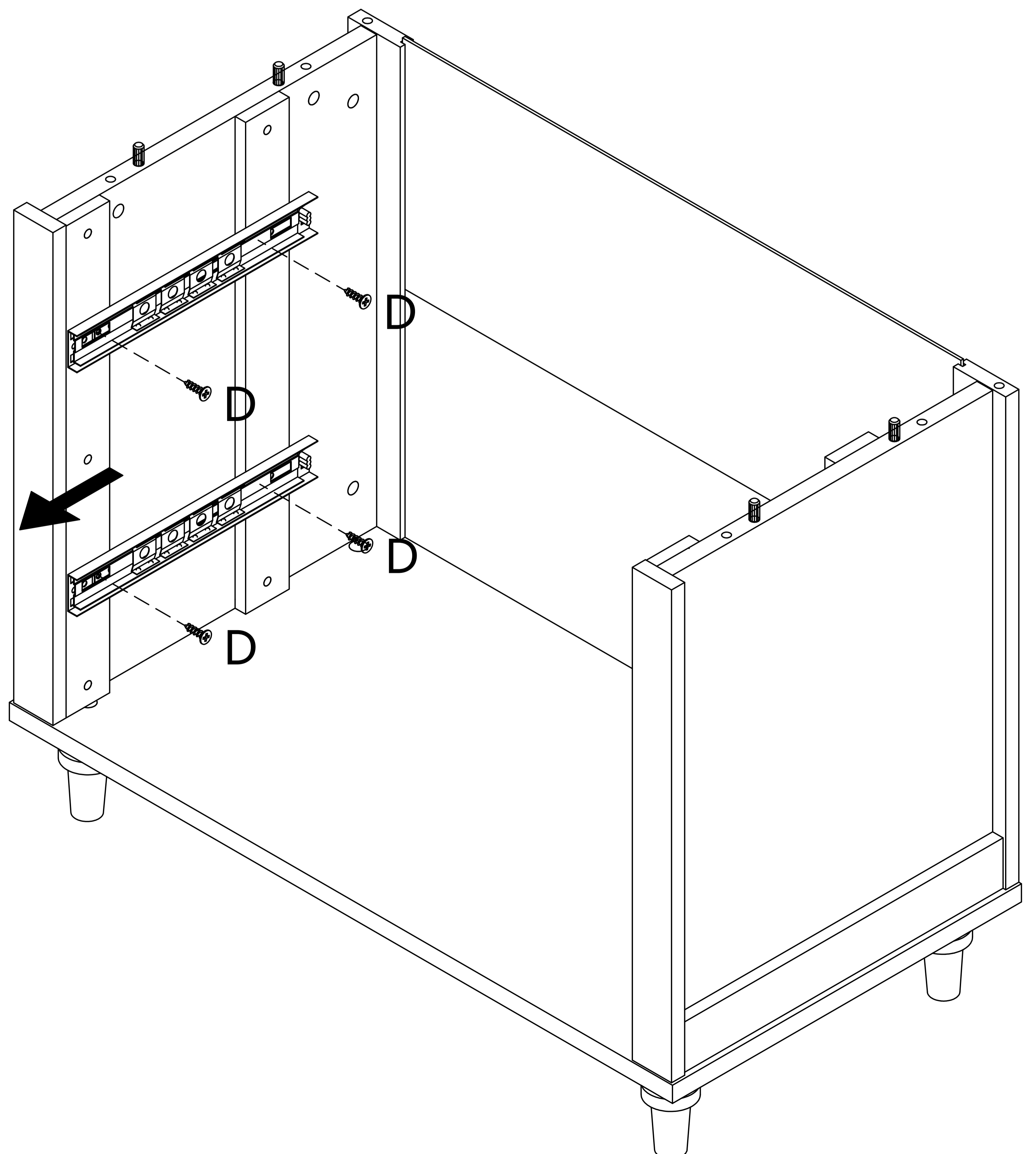
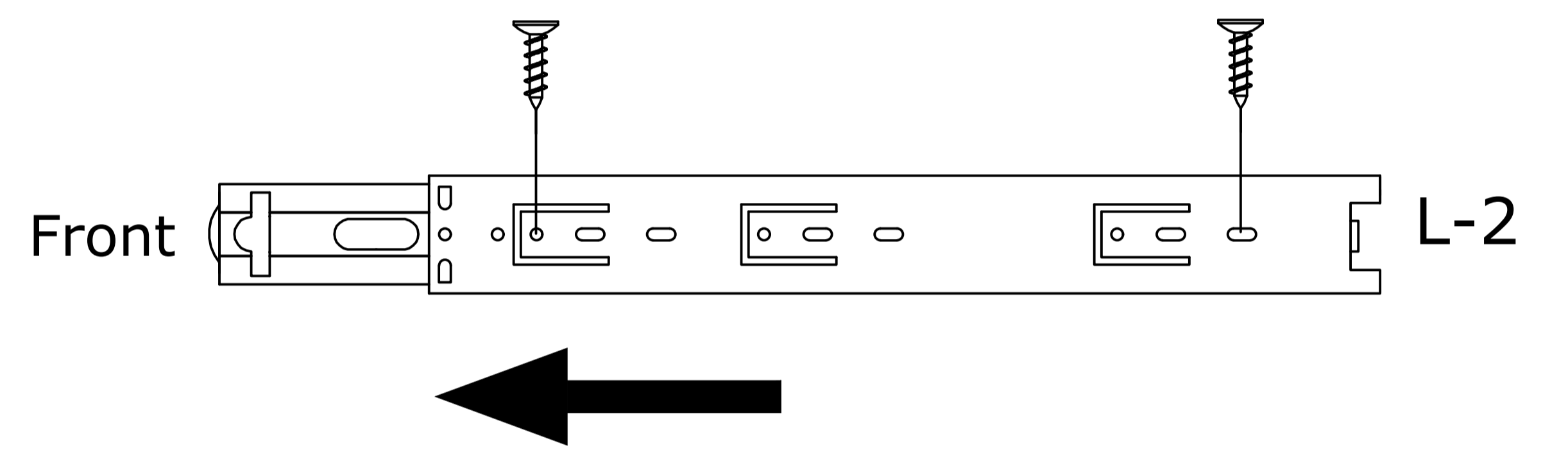
L2 x 4



- Refer to the illustration.
Fix the slide rail (L2) with screws (N).



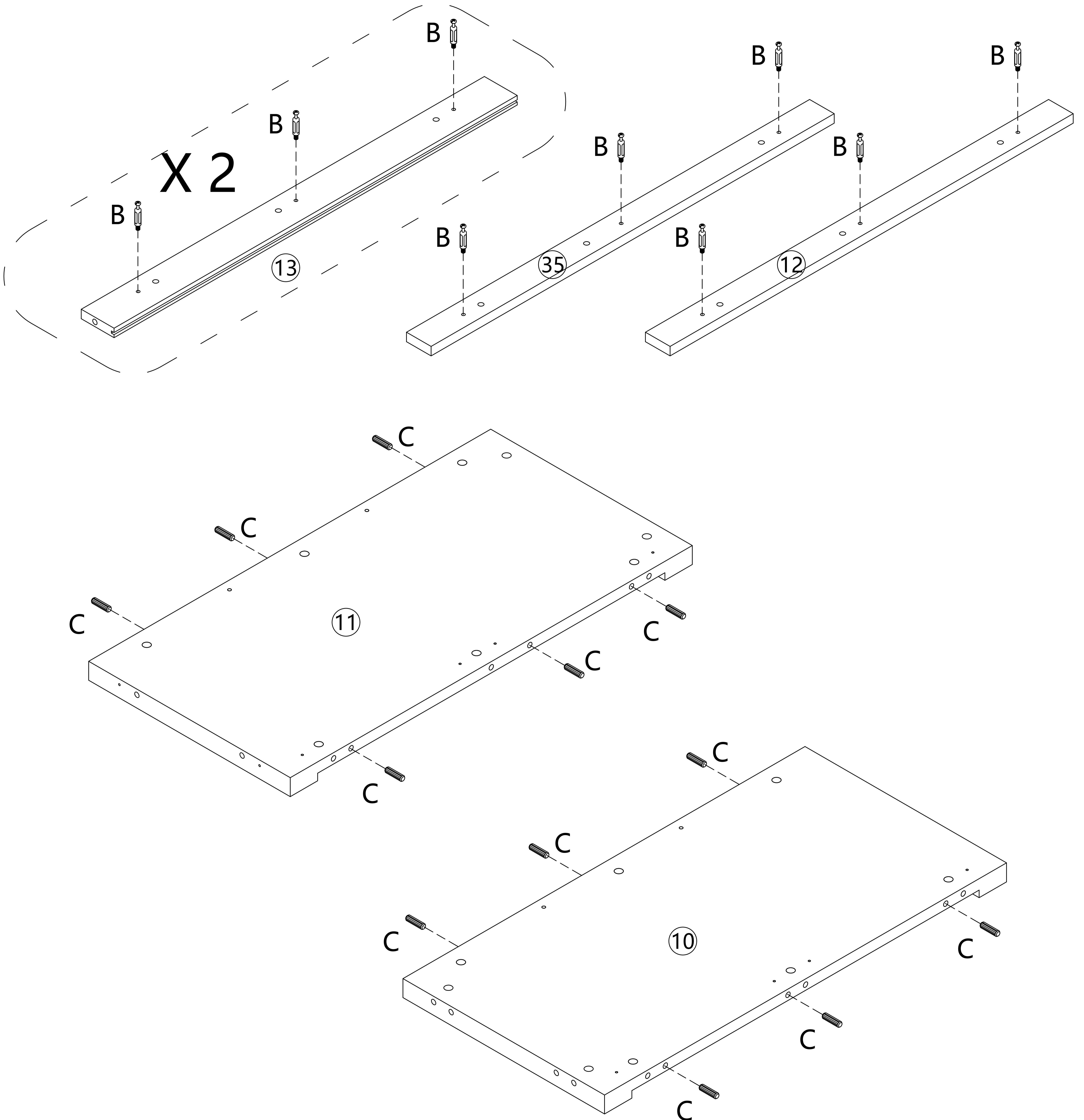
First, fix the first hole position with a screw, then move the track to fix the second hole position.



9

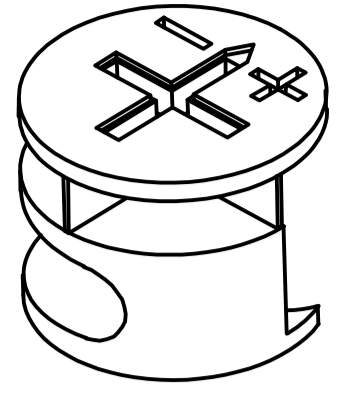
<p>B x 12</p>  <p>Ø 6 x 35 mm</p>	<p>C x 12</p>  <p>Ø 8 x 30 mm</p>	
--	--	--

- Refer to the illustration.
Insert the wooden rod (C) into the board, screw in the screw (B) into the board, and tighten it carefully.



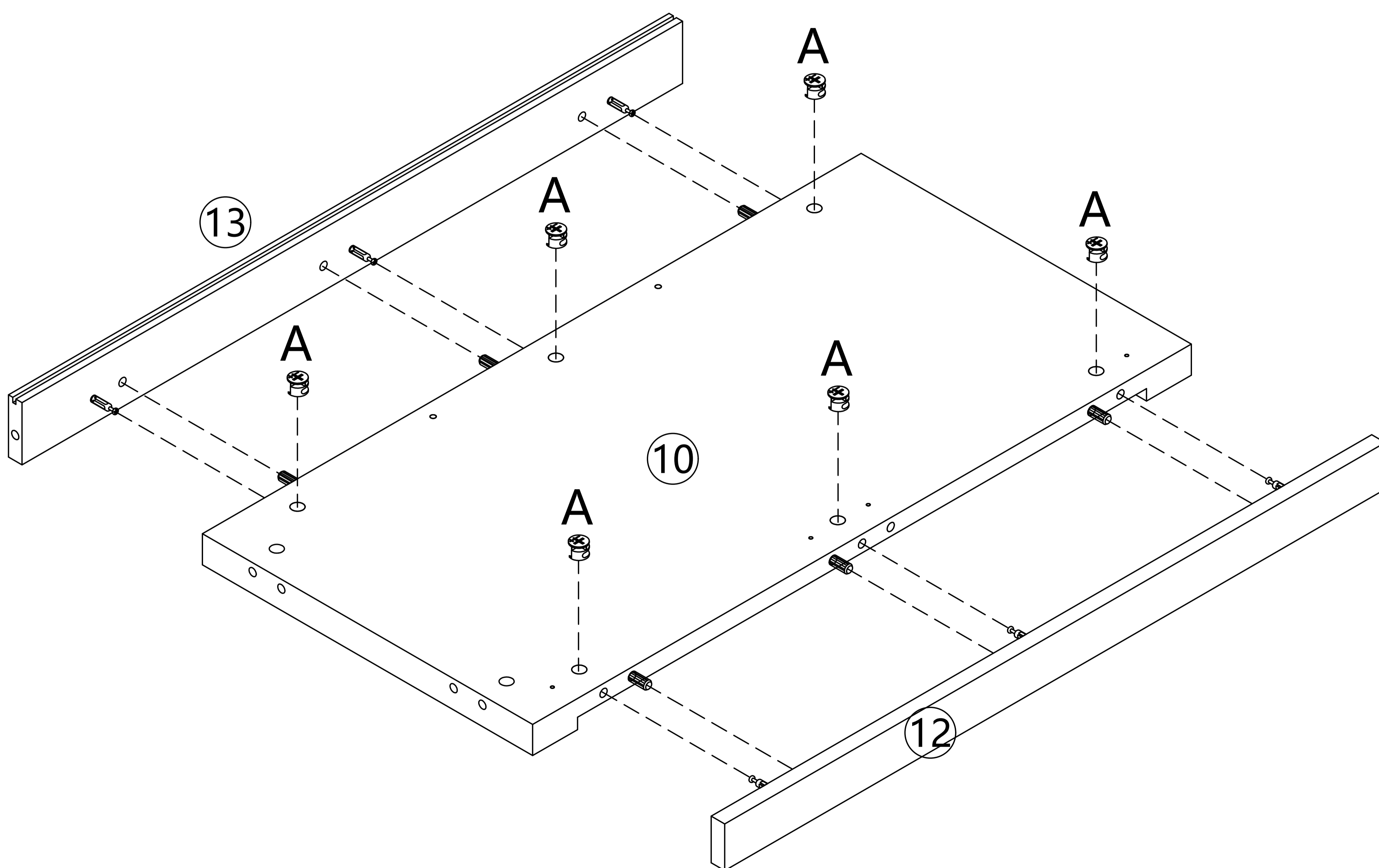
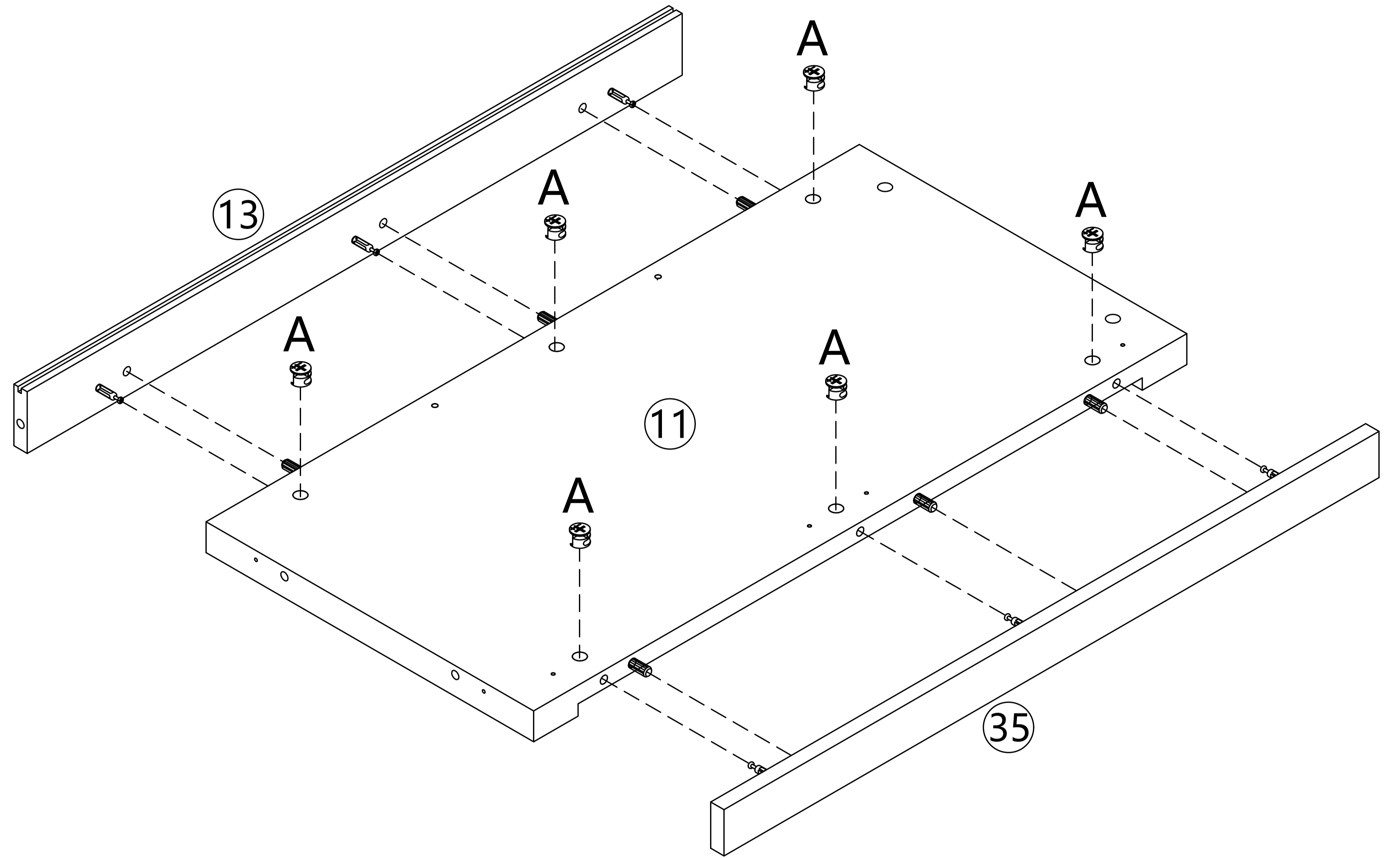
10

A x 12



Ø 12 x 10 mm

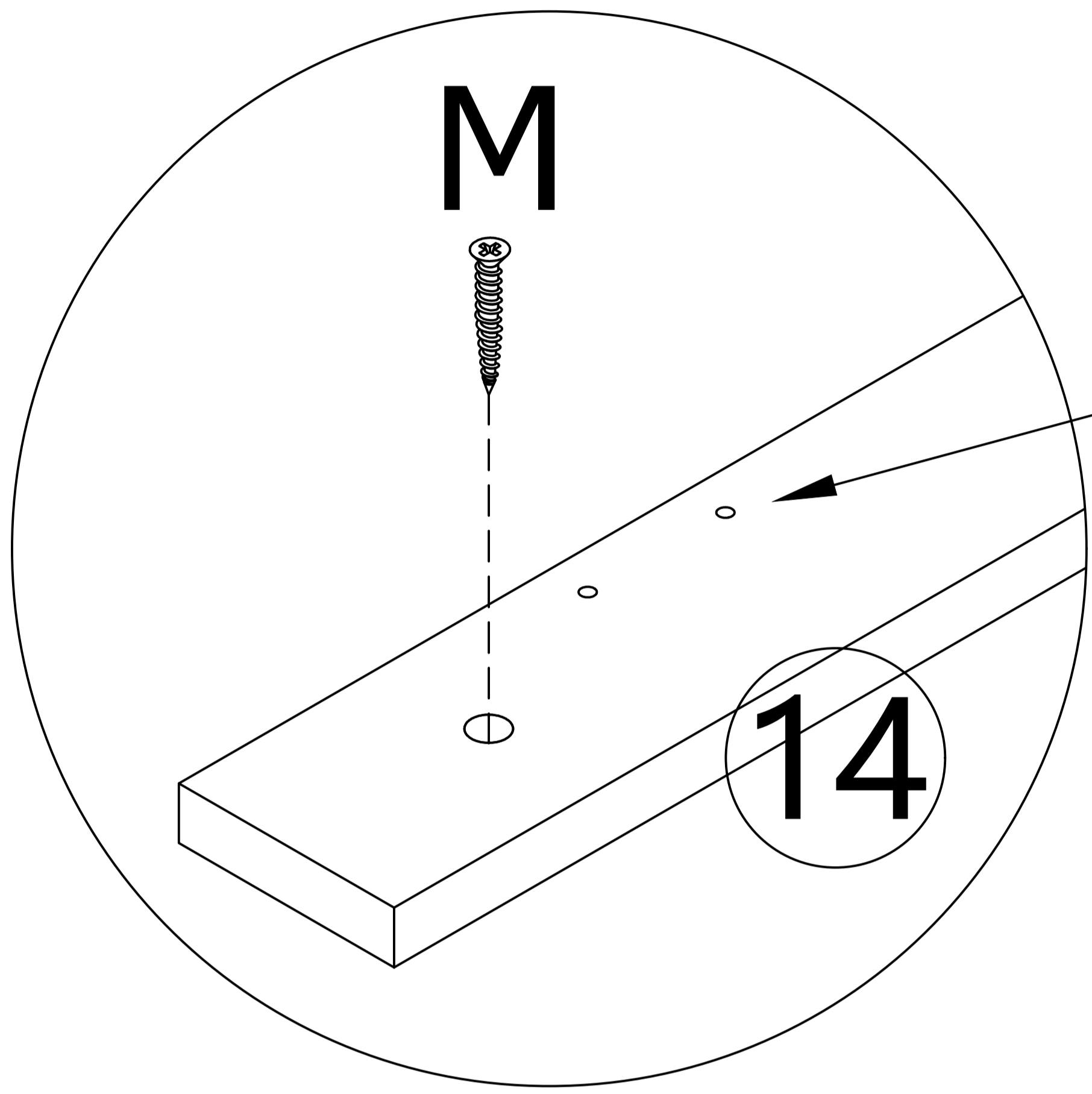
- Refer to the illustration.
Tighten the buckle (A).



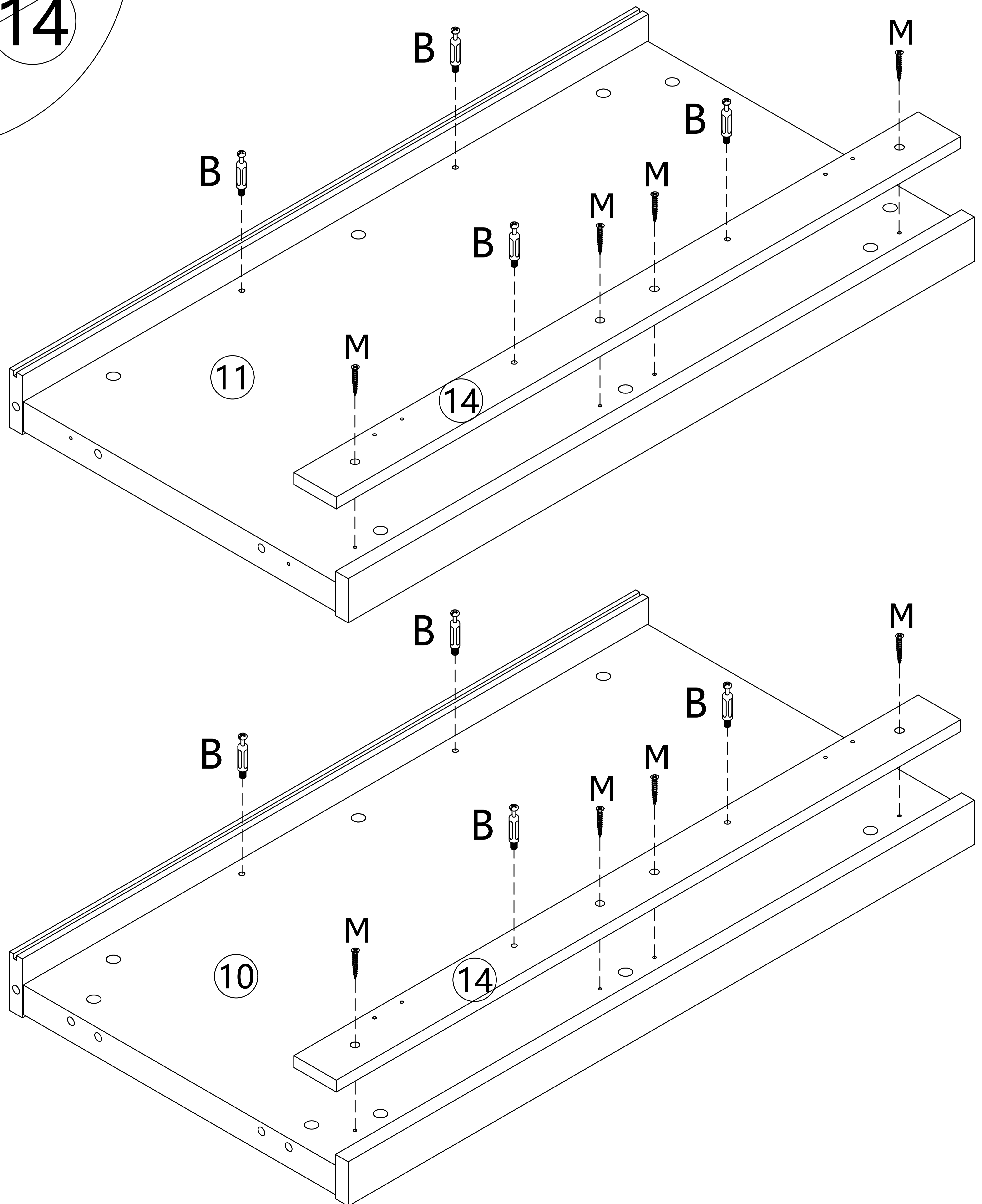
11



- Refer to the illustration.
Fix the panel (14) to (10) and (11) with screws (M), then screw in the screws (B) and tighten them carefully.

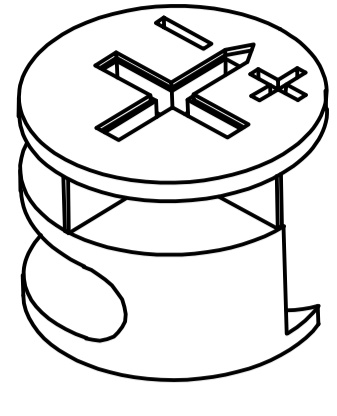


Note: When installing panel (14), align the holes toward the inside.



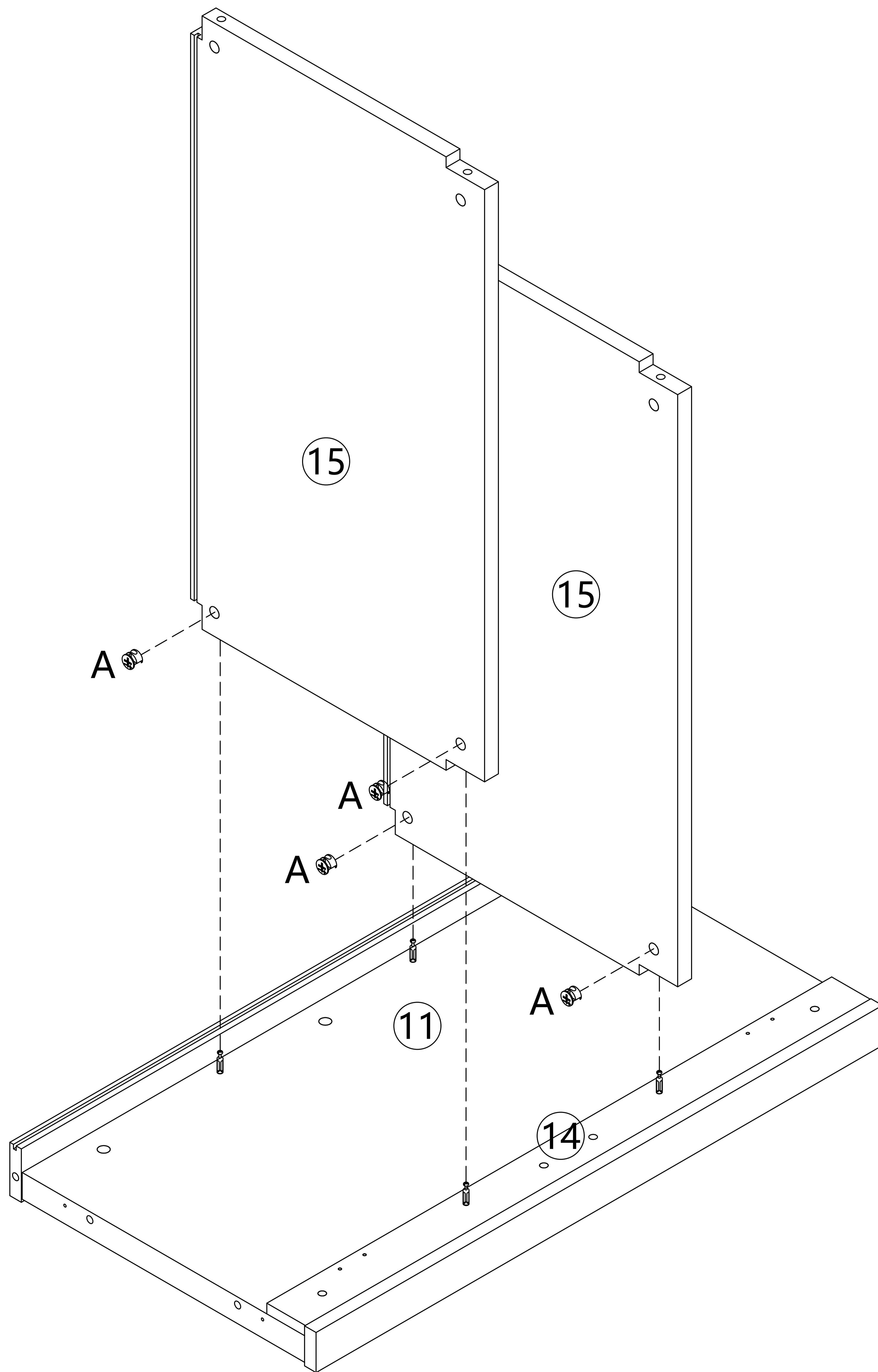
12

A x 4

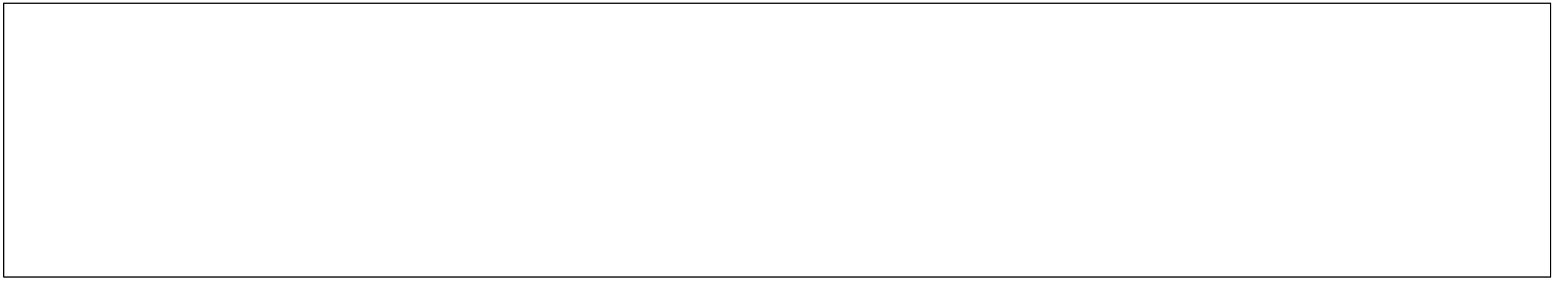


∅ 12 x 10 mm

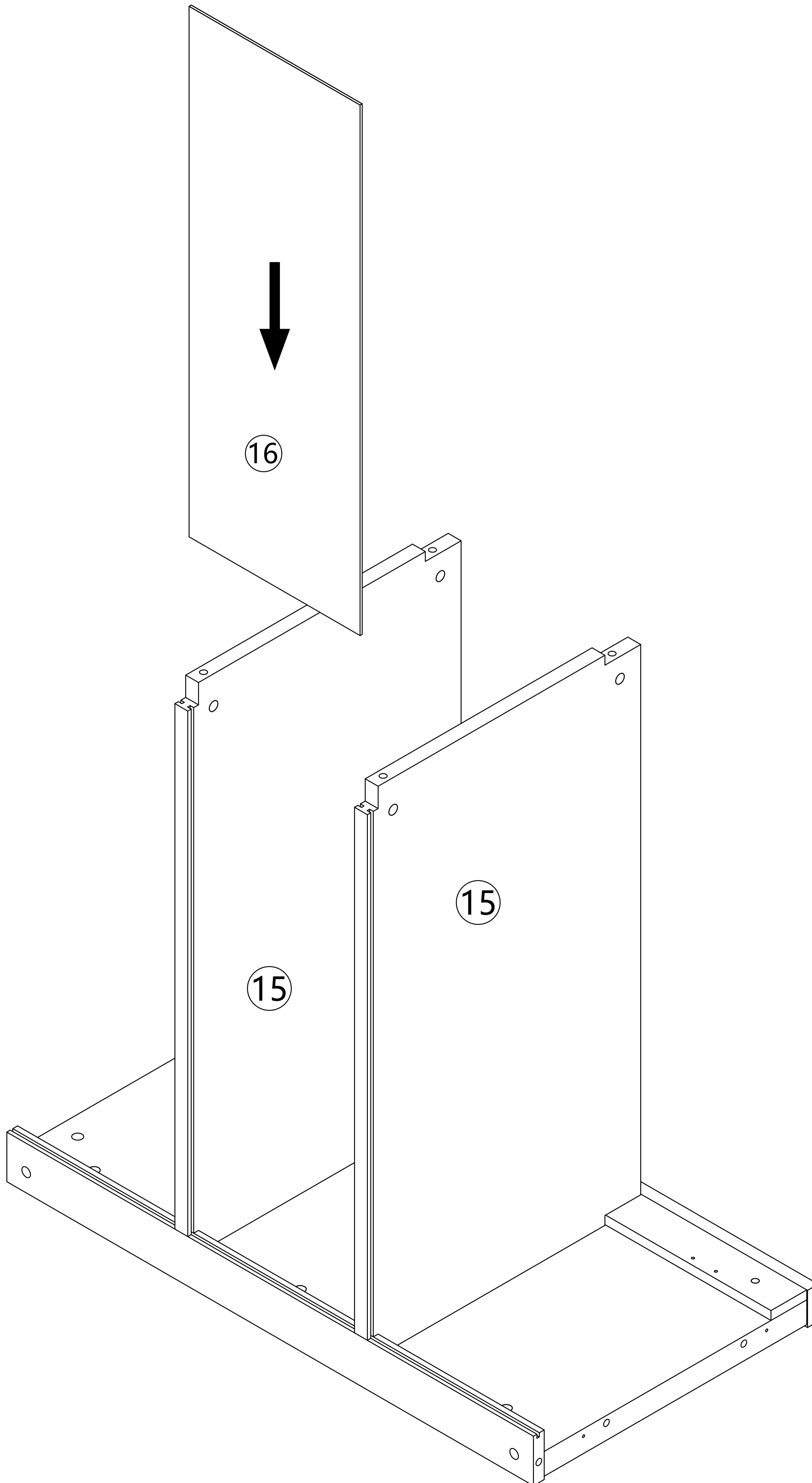
- Refer to the illustration.
Connect (15) with (11) and (14), and tighten the buckle (A).



13

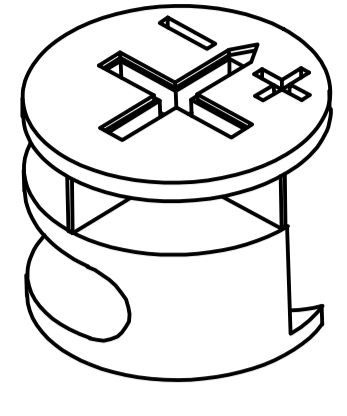


- Refer to the illustration.
Insert the plate (16).



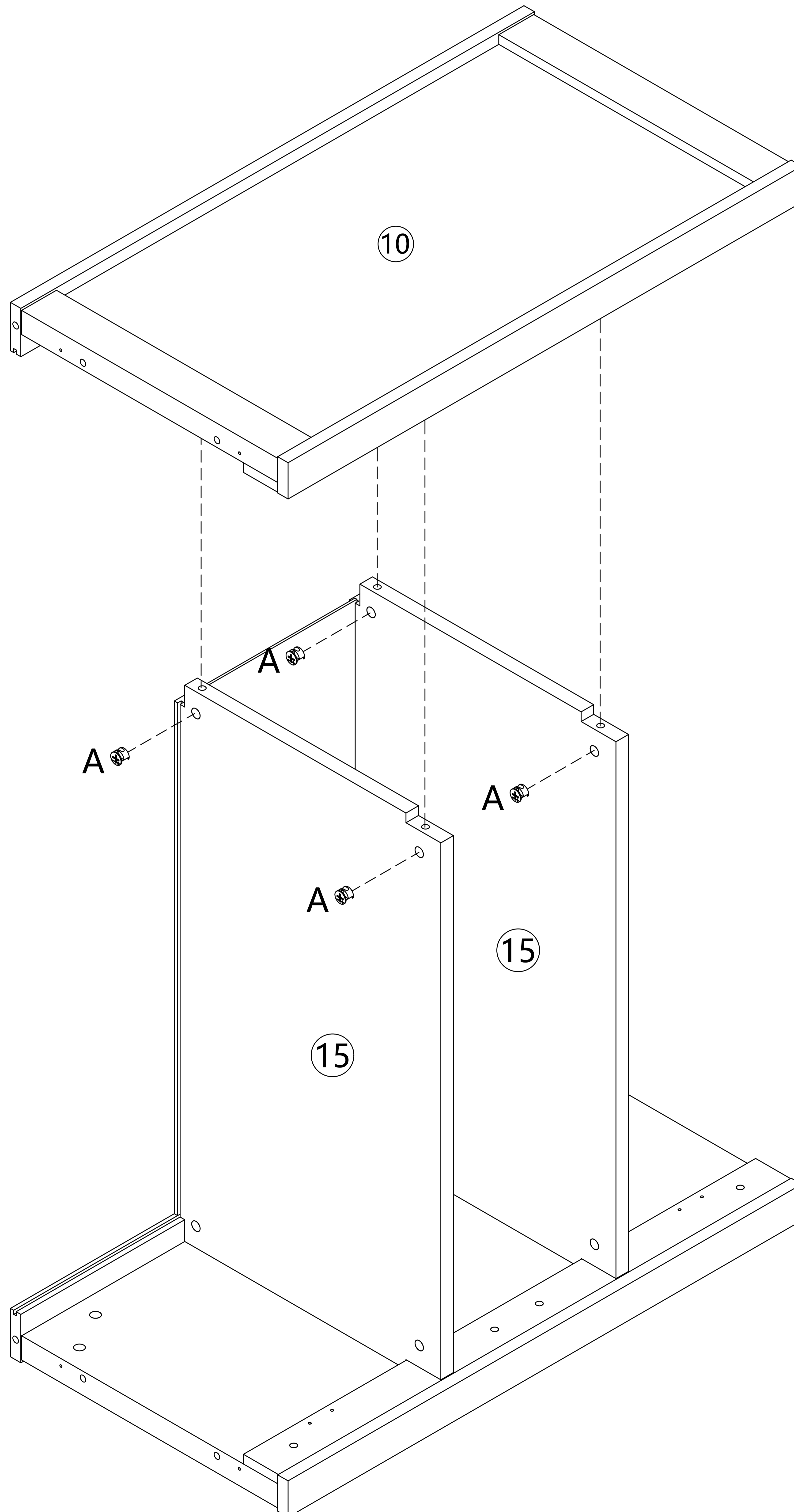
14

A x 4



Ø 12 x 10 mm

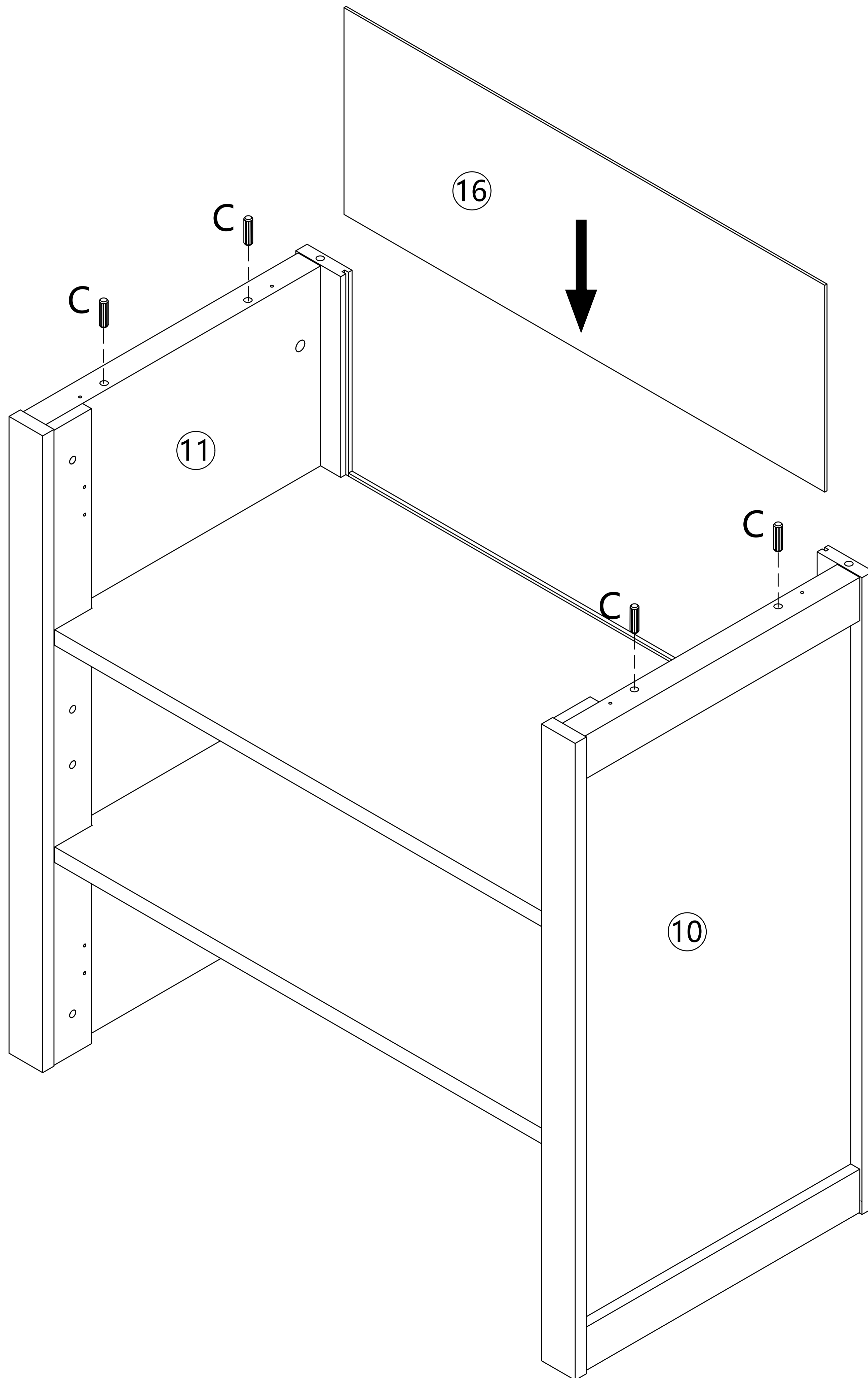
- Refer to the illustration.
Connect (10) with (15) and tighten the buckle (A).



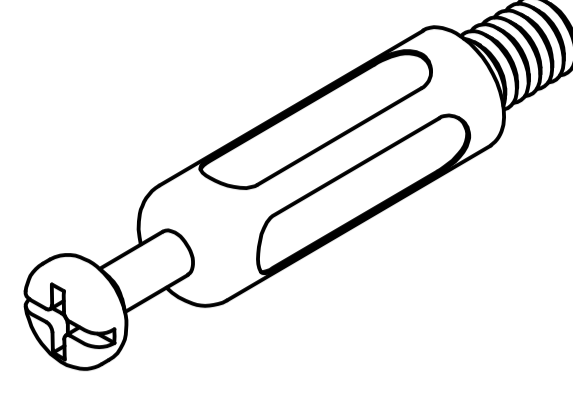
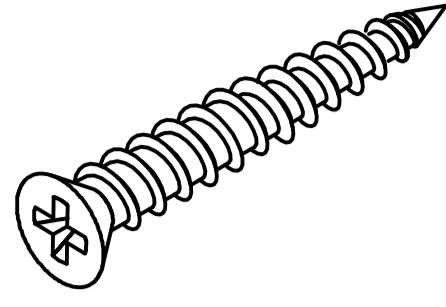
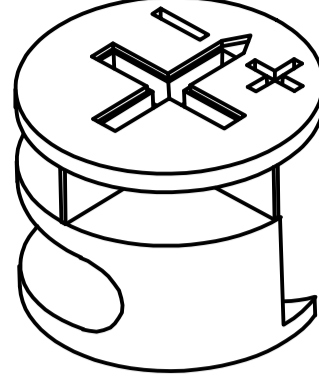
15



- Refer to the illustration.
Insert the plate (16), and insert the wooden rod (C) into (10) and (11).

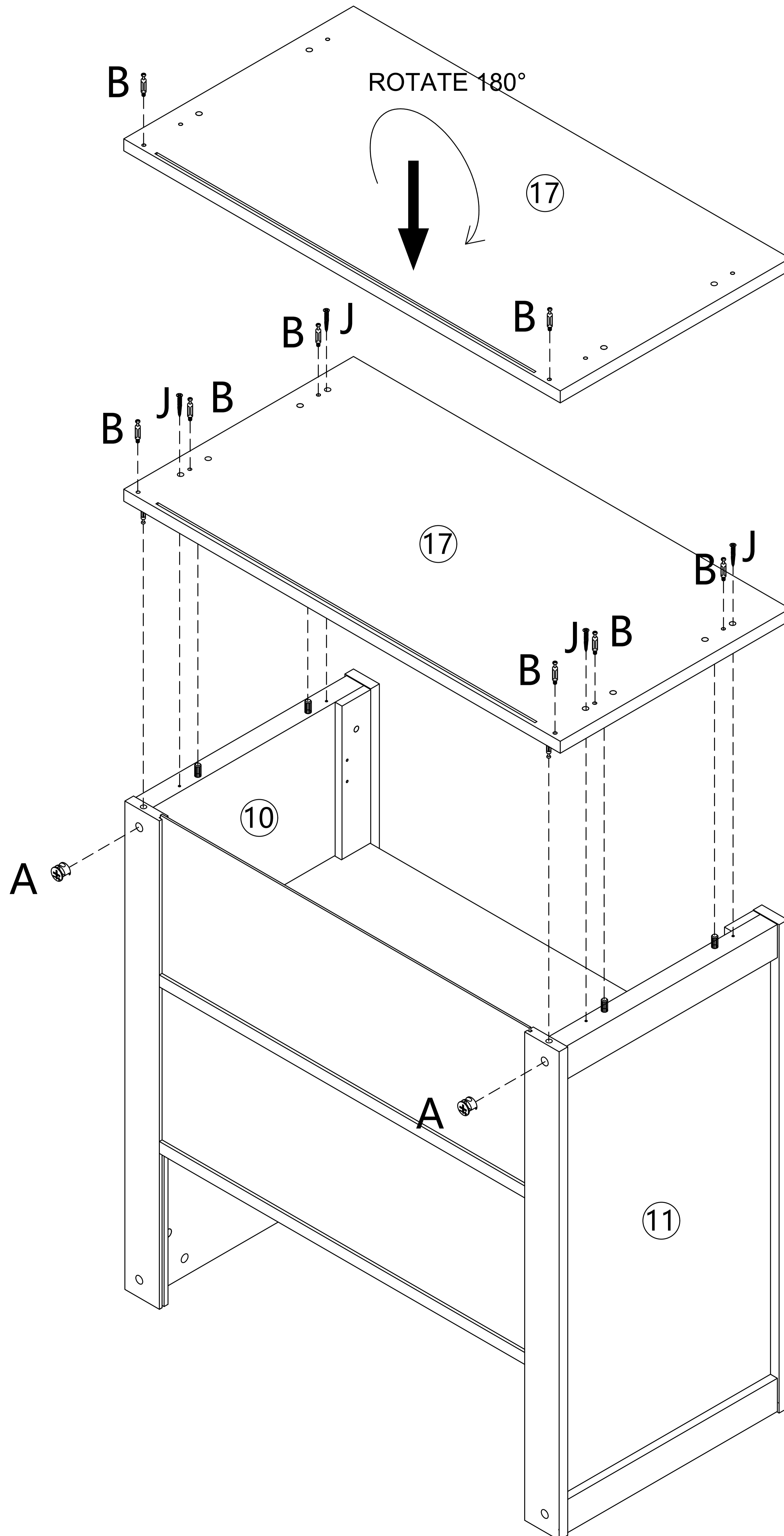


16

B x 8  Ø 6 x 35 mm	J x 4  Ø 4 x 35 mm	A x 2  Ø 12 x 10 mm	
--	--	---	--

- Refer to the illustration.

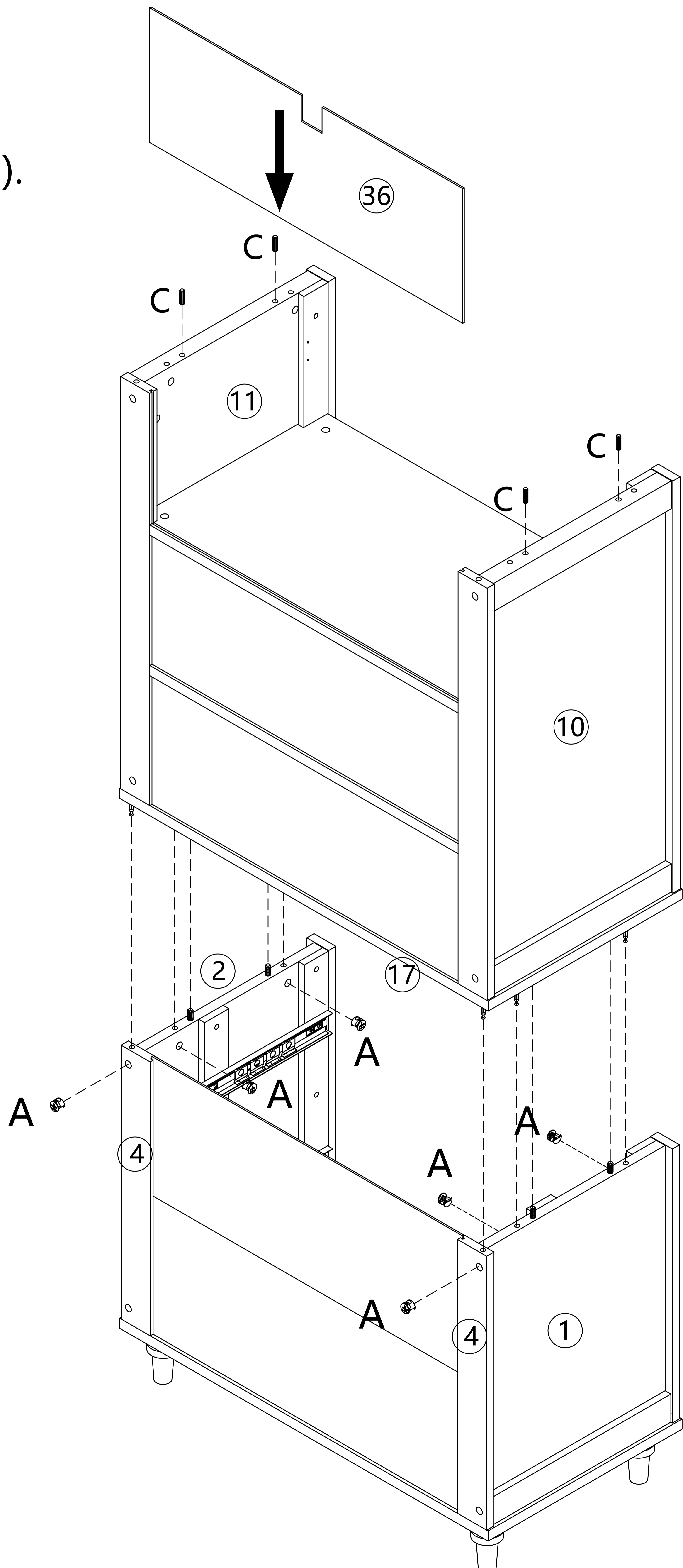
First, screw the screw (B) into the plate (17), flip it 180 degrees to connect with (10) and (11), tighten the buckle (A), fix the screw (J), and finally screw the screw (B) into the plate (17).



17

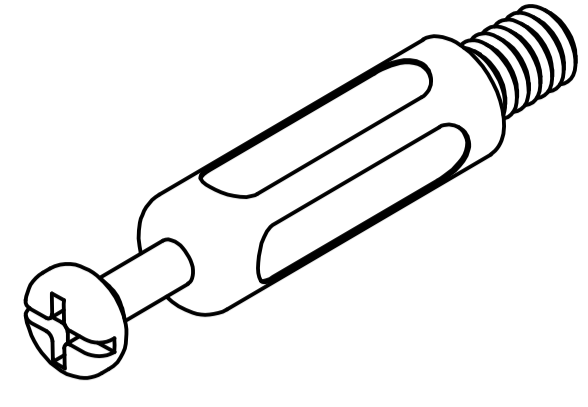


- Refer to the illustration.
Connect the cabinet,
tighten the buckle (A),
insert the wooden rod
(C) into (10) and (11),
and insert the panel (36).



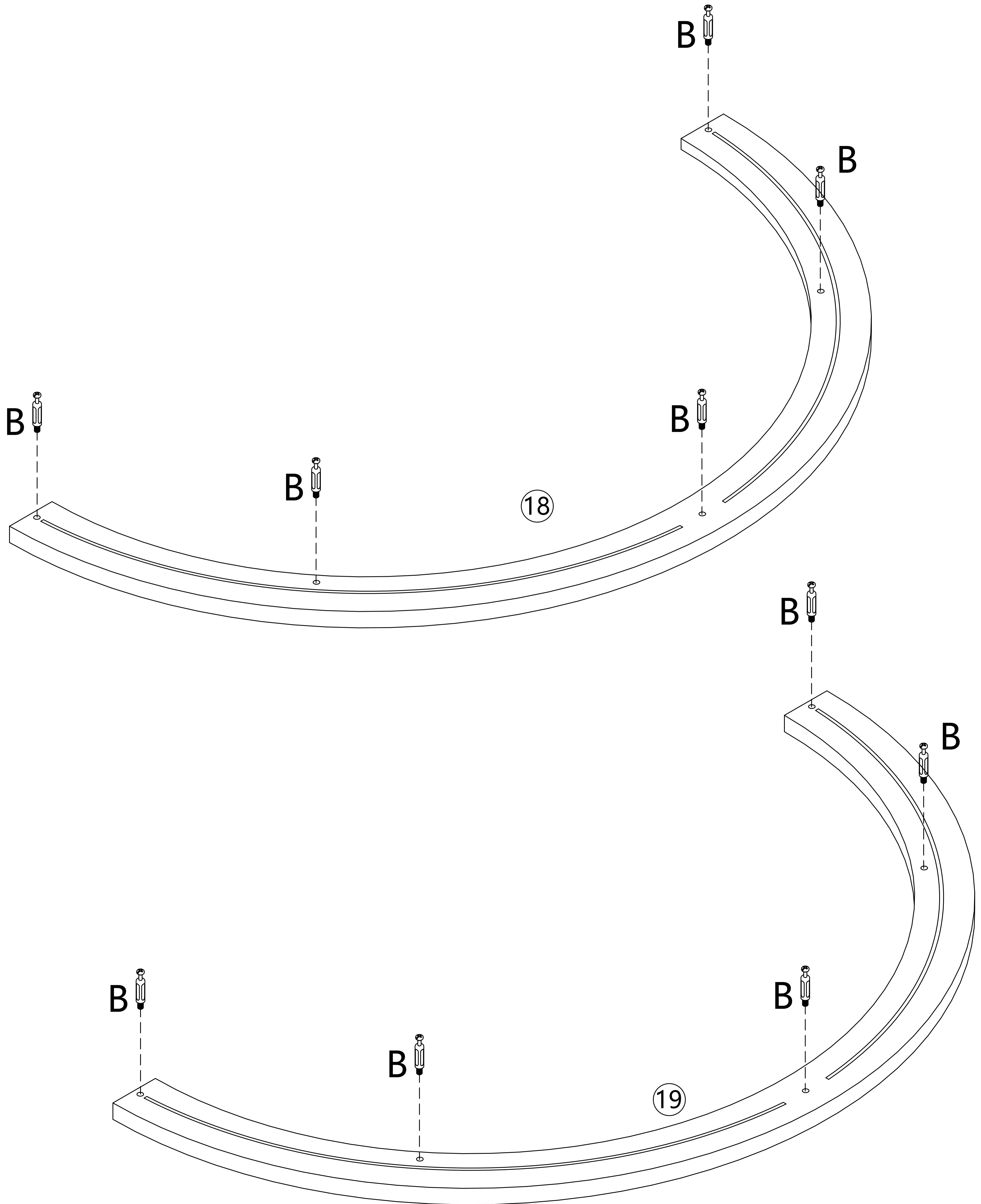
18

B x 10



Ø 6 x 35 mm

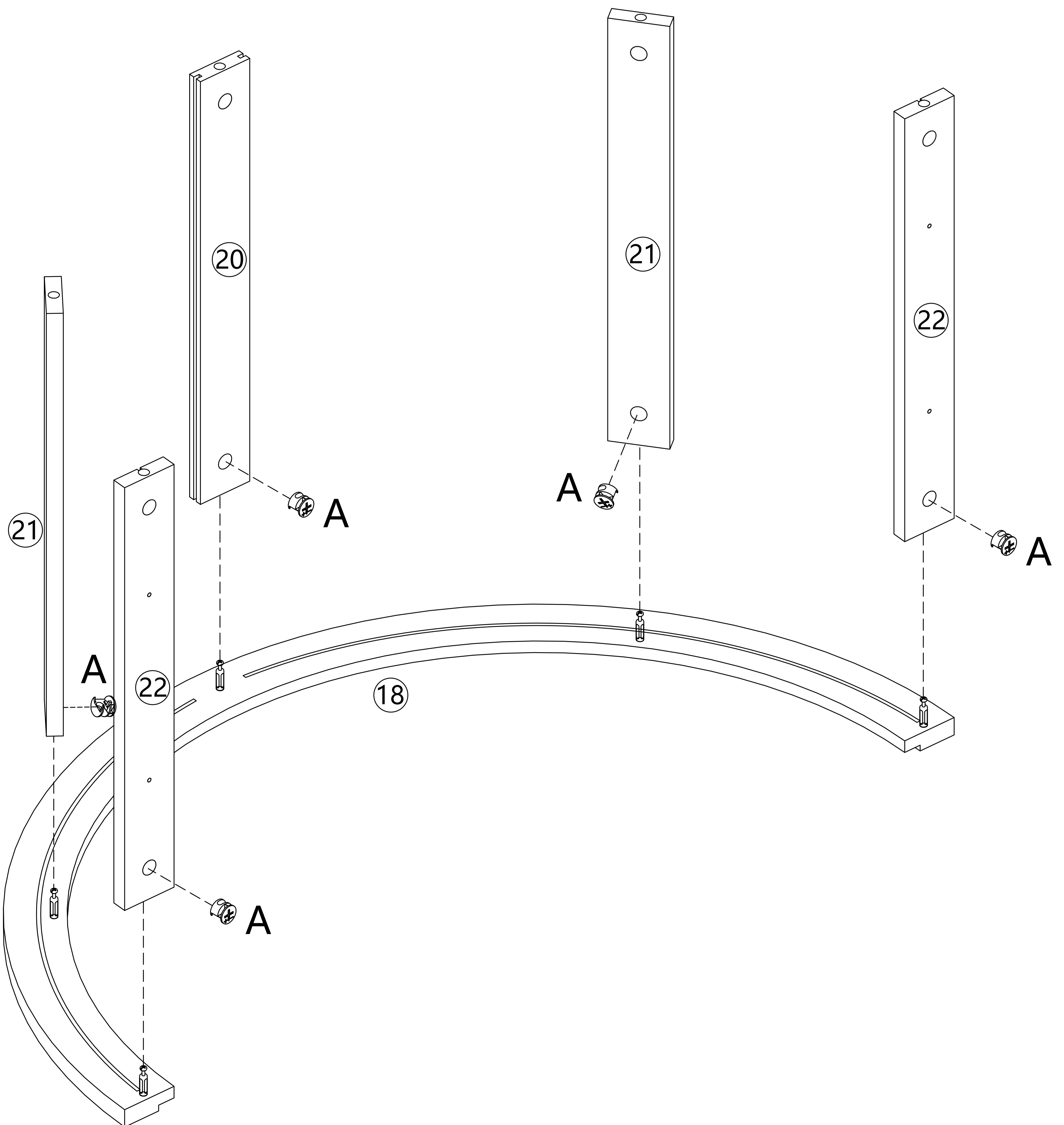
- Refer to the illustration.
Screw the screw (B) into the plates (18) and (19).



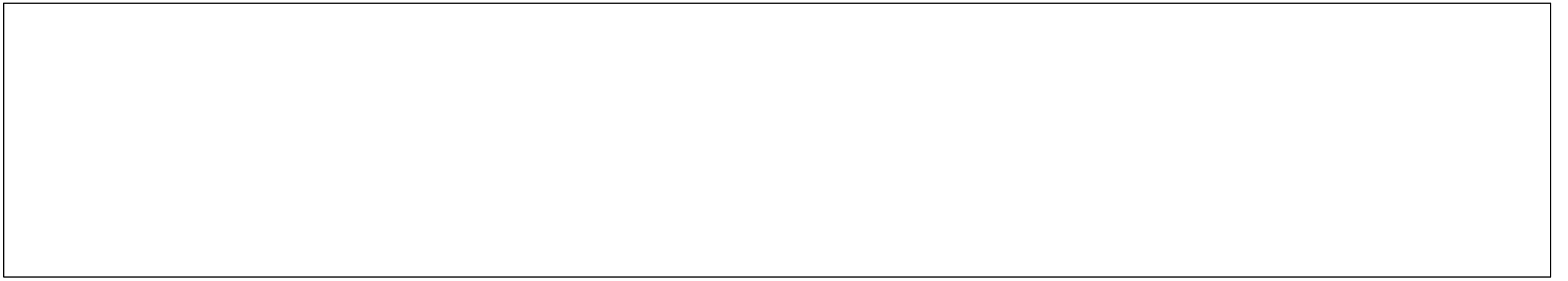
19



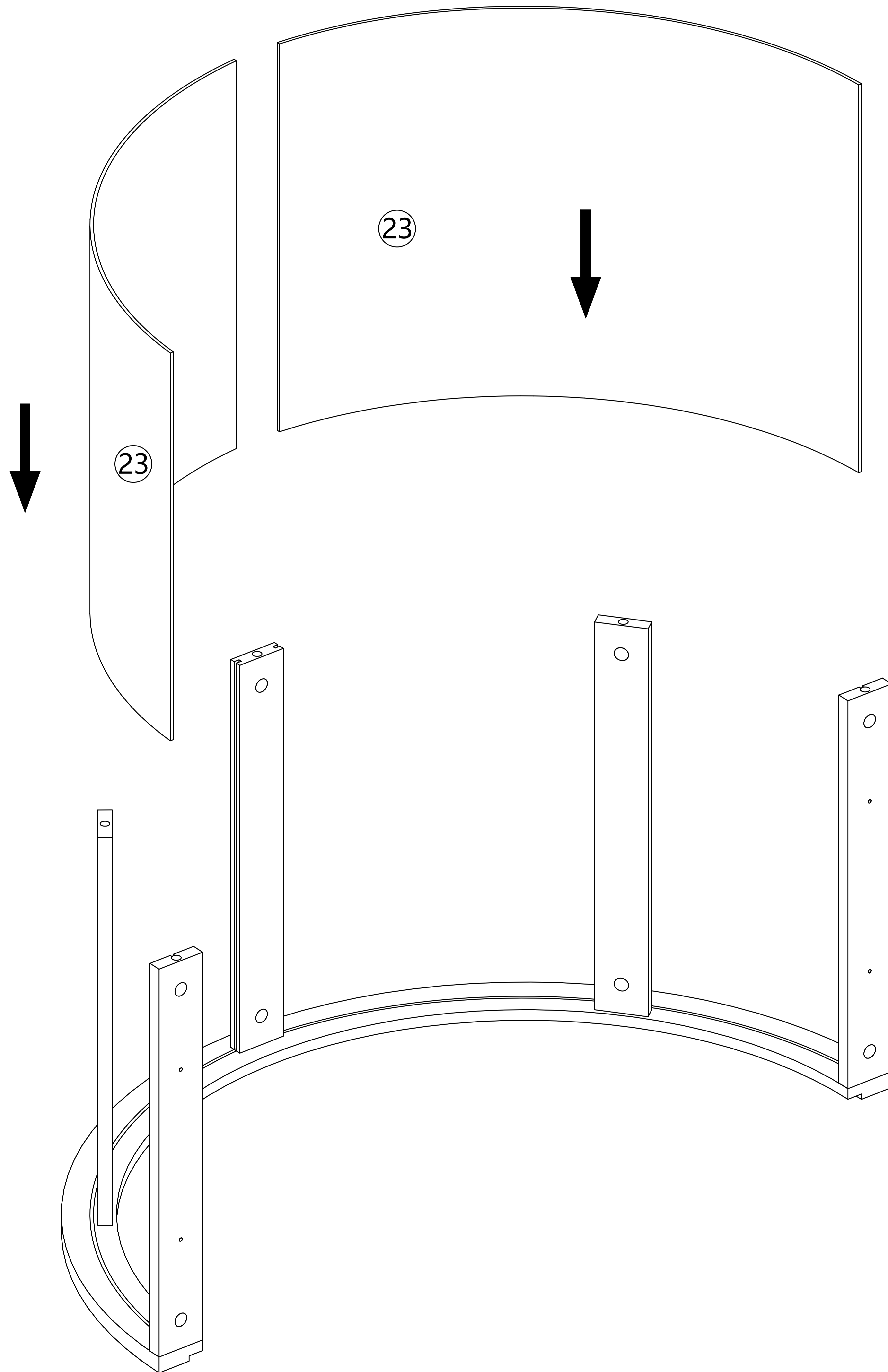
- Refer to the illustration.
Connect (18) with (20), (21) and (22), and tighten the buckle (A).



20



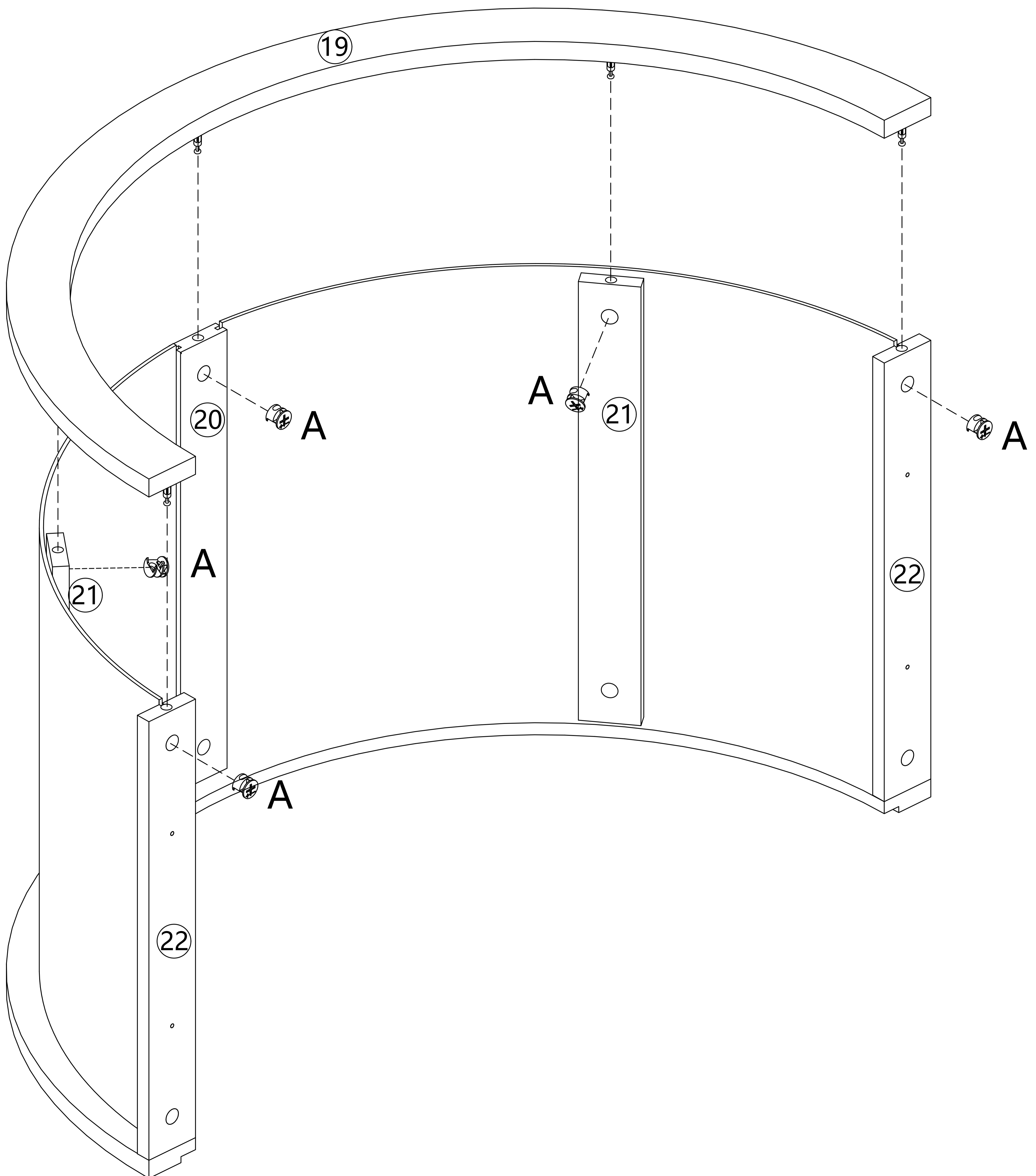
- Refer to the illustration.
Bend the plate (23) and then insert it.



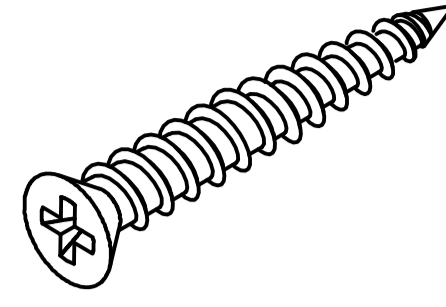
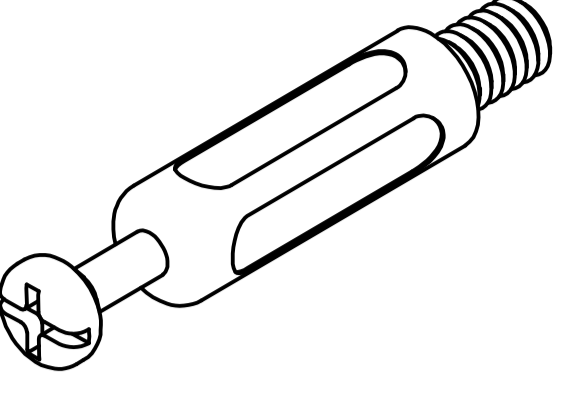
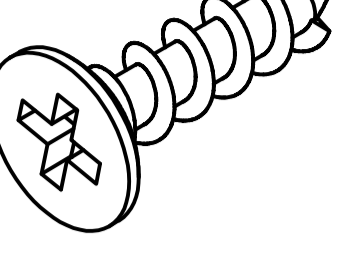
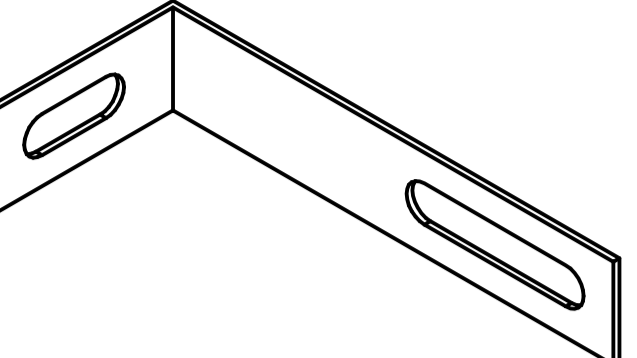
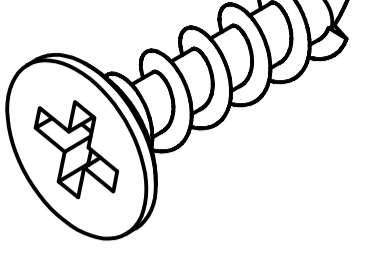
21



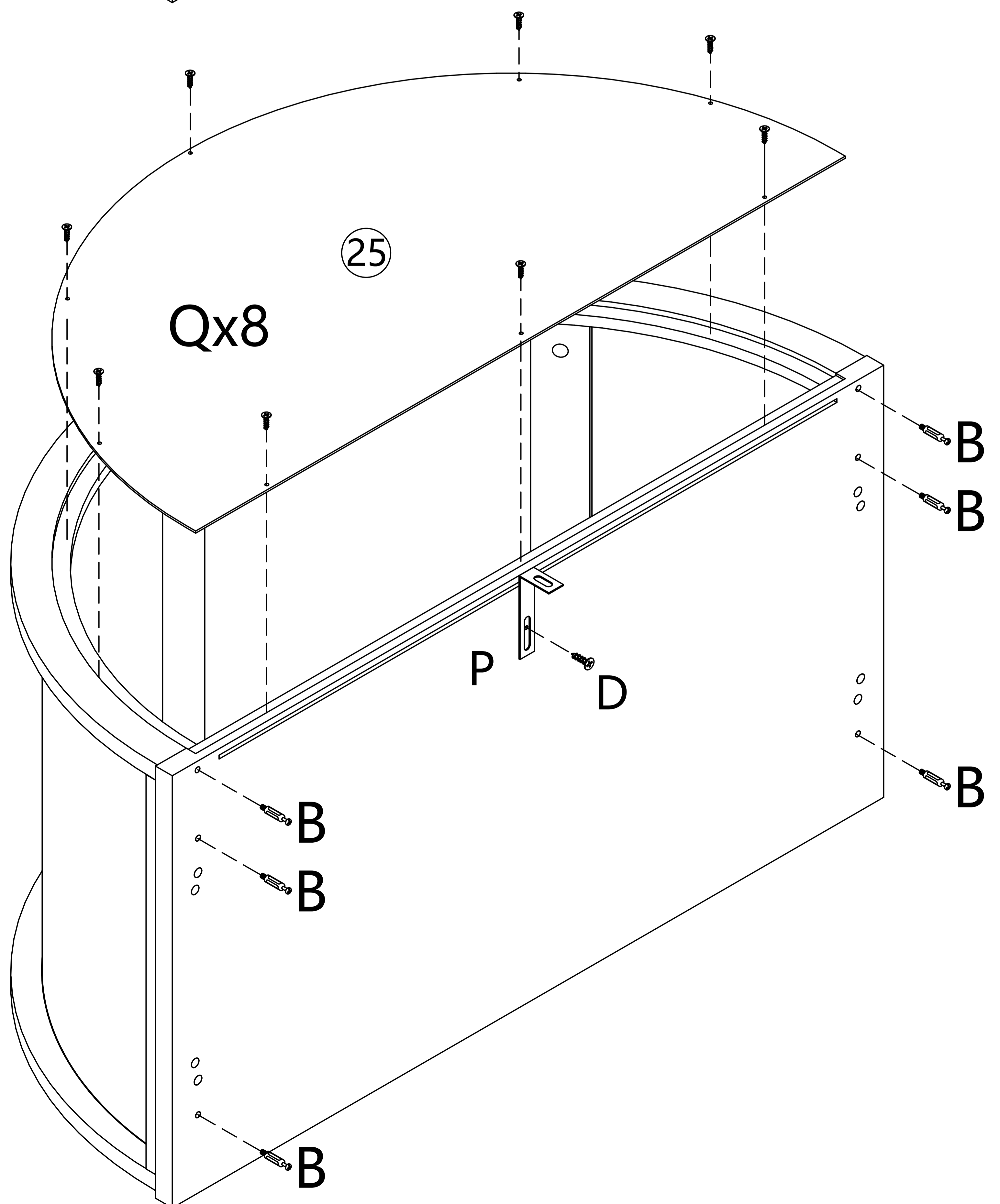
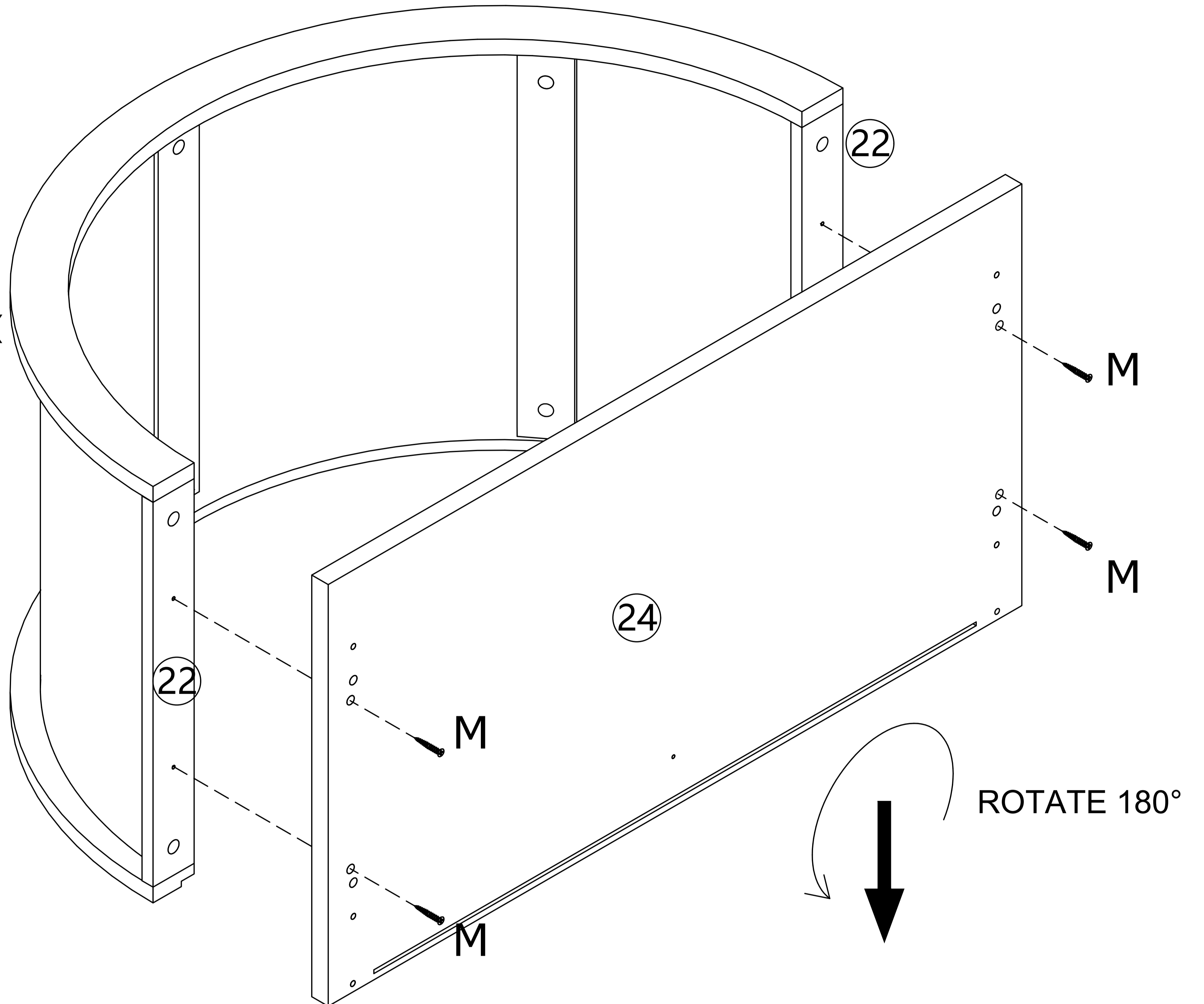
- Refer to the illustration.
Connect (19) with (20), (21) and (22), and tighten the buckle (A).



22

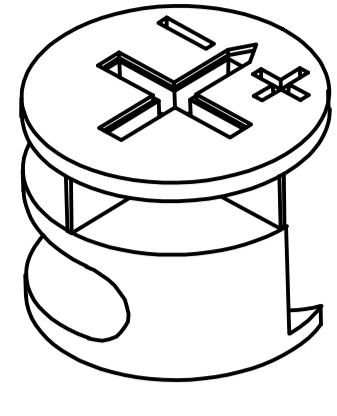
M x 4  Ø 4 x 25 mm	B x 6  Ø 6 x 35 mm	Q x 8  Ø 3 x 12 mm	P x 1 	D x 1  Ø 4 x 14 mm
---	---	---	--	---

- Refer to the illustration.
Connect (22) to (24)
and secure them
with screws (M).
Next, fasten plate
(25) to the cabinet
using screws (Q), fix
(P) with screws (D),
and then screw in
screw (B).



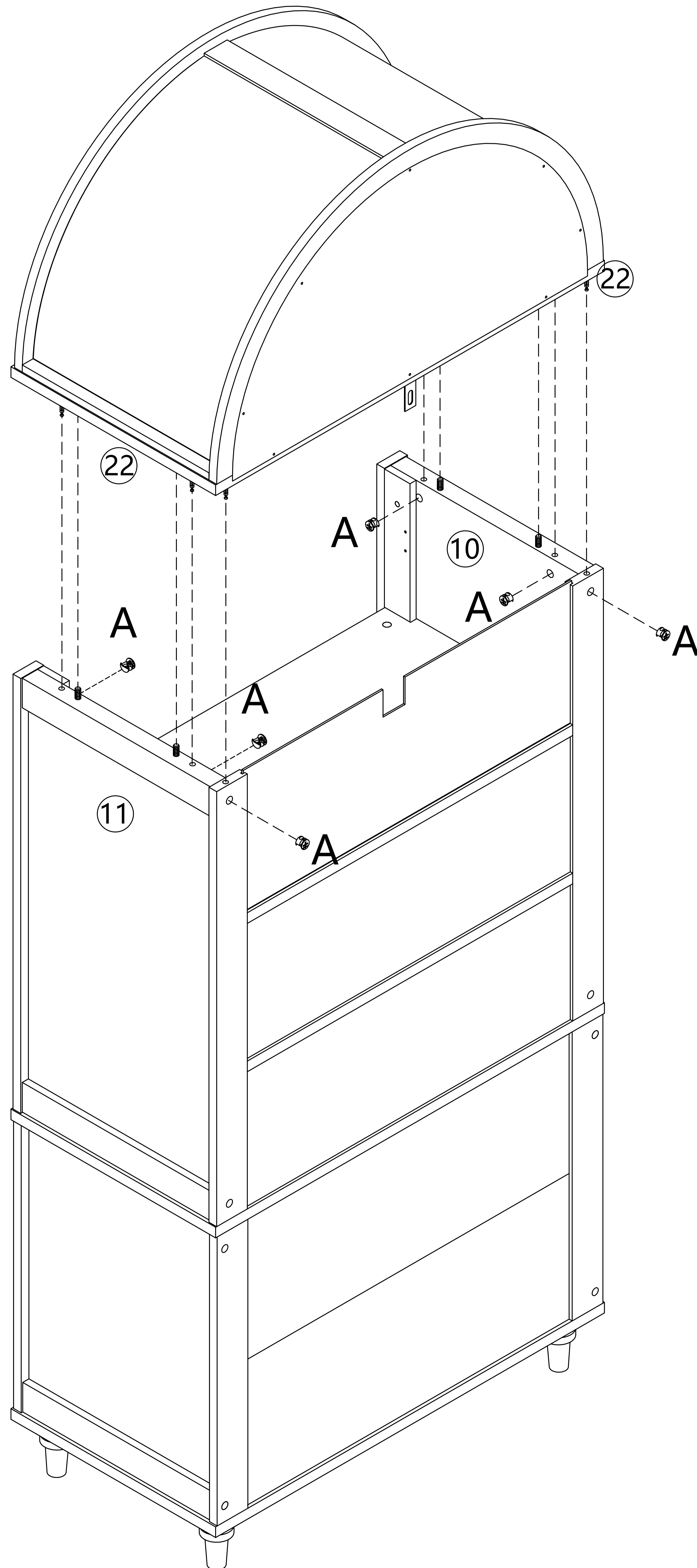
23

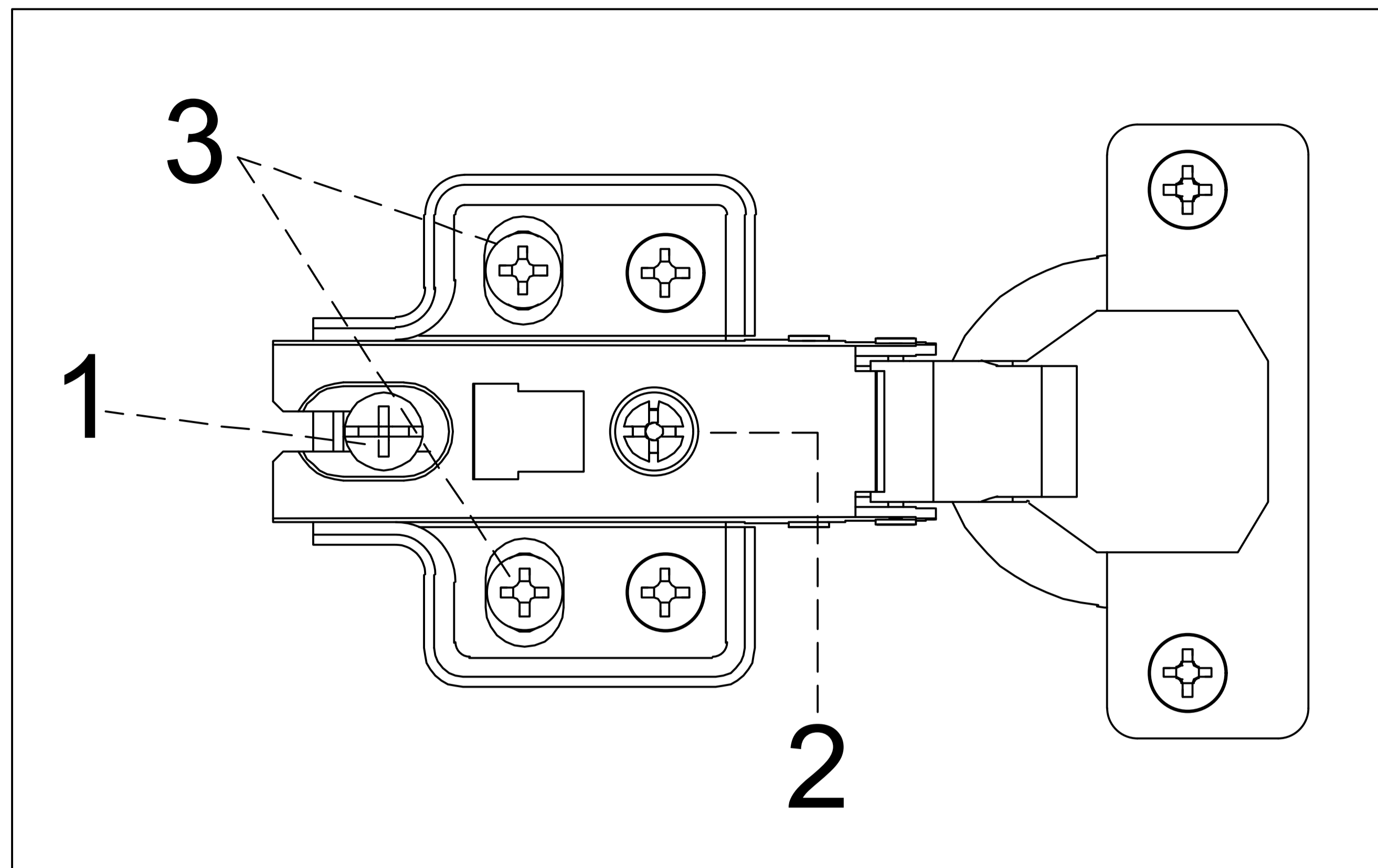
A x 6



Ø 12 x 10 mm

- Refer to the illustration.
Connect (22) with (10) and (11), and tighten the buckle (A).



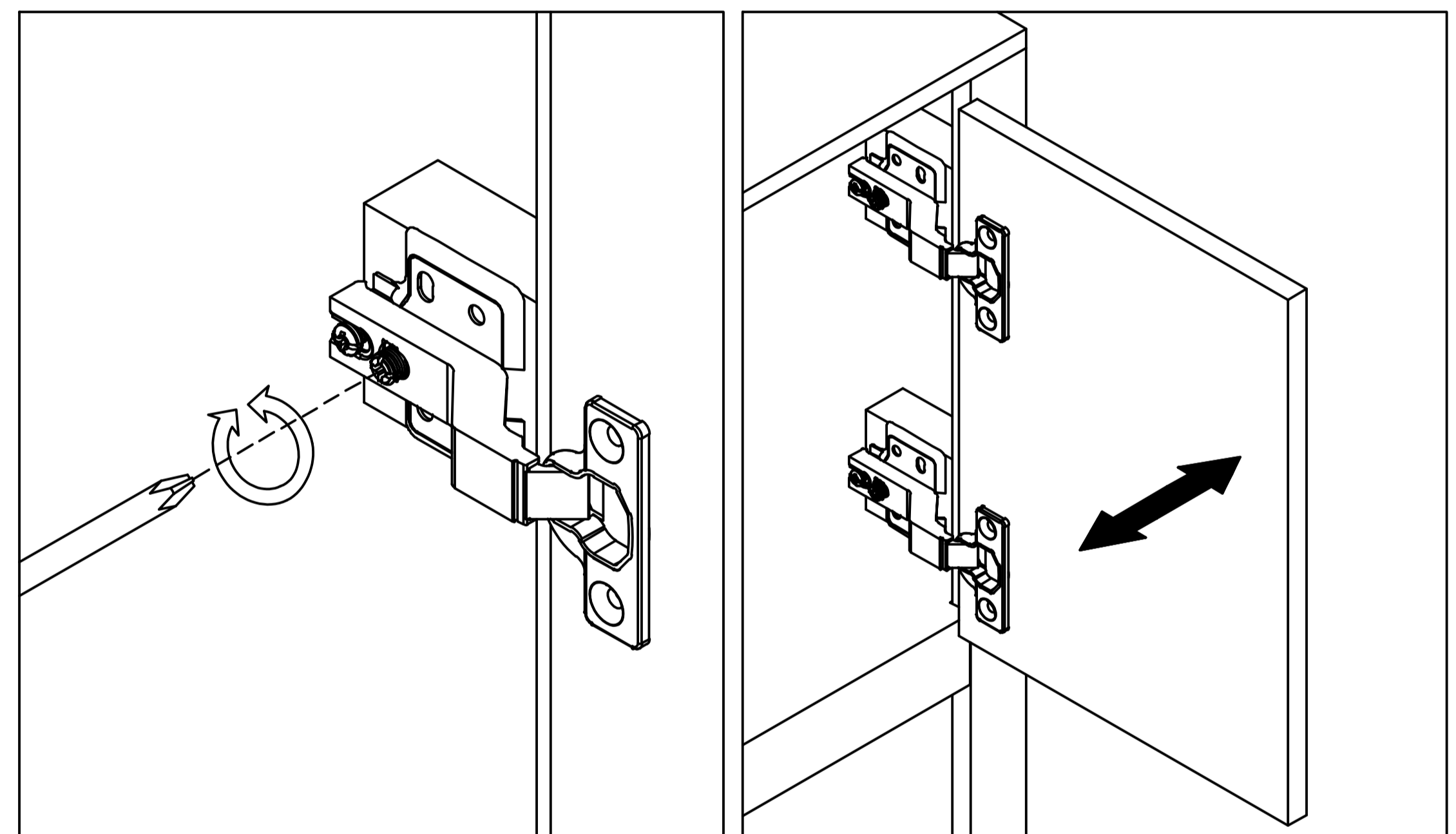


Hinge Adjustment Guide

Three-way adjustable hinge for perfectly aligned doors

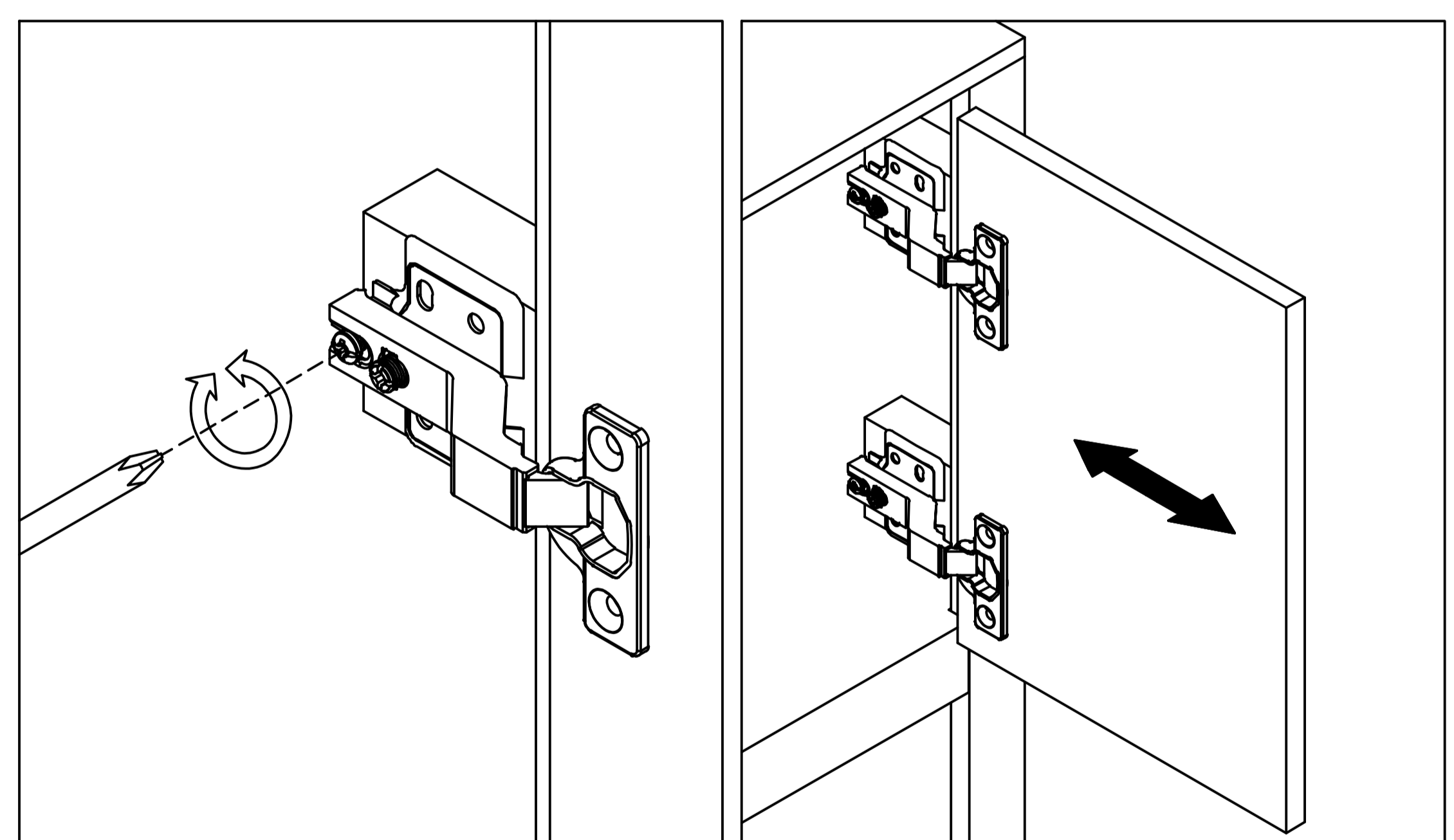
Sideways/Gap Adjustment

Turning the screw "2" on the hinges of each door allows you to adjust the door to the left or right by a few millimeters.



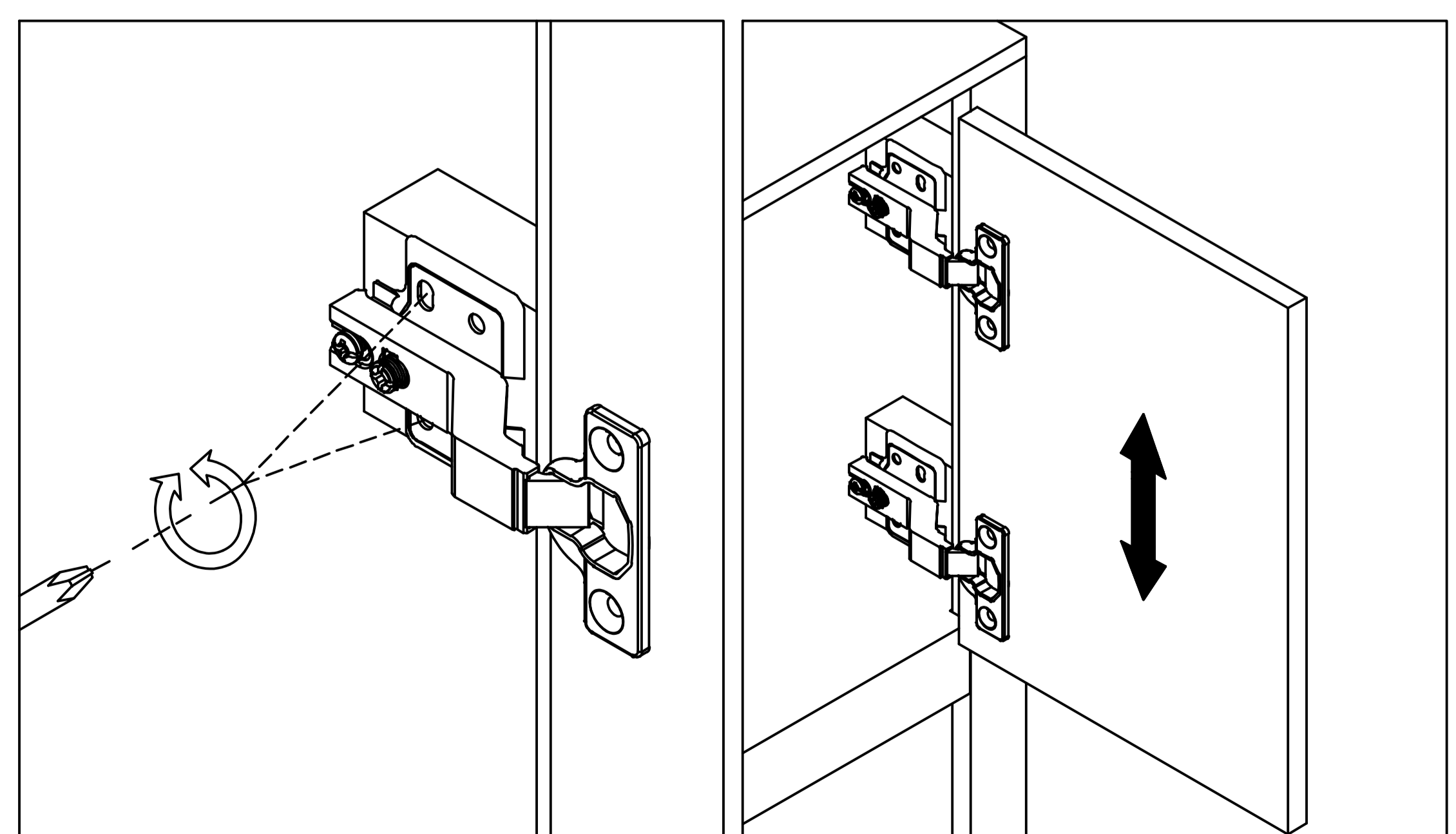
Forward/Backward Alignment

Loosen screw "1" to adjust the door forward or backward. After adjustment, Tighten screw "1".

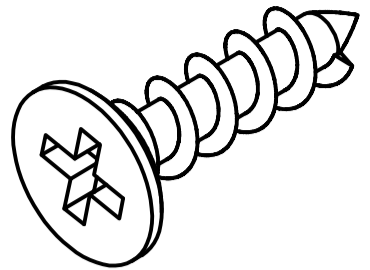
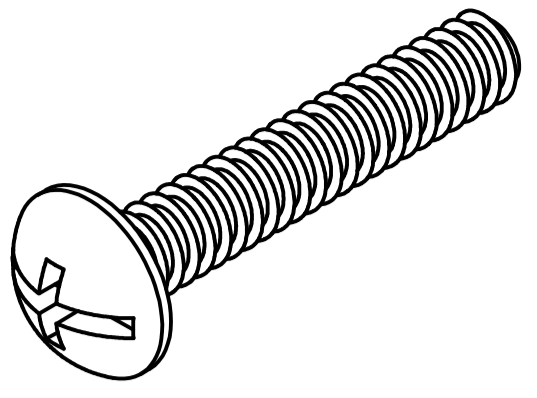
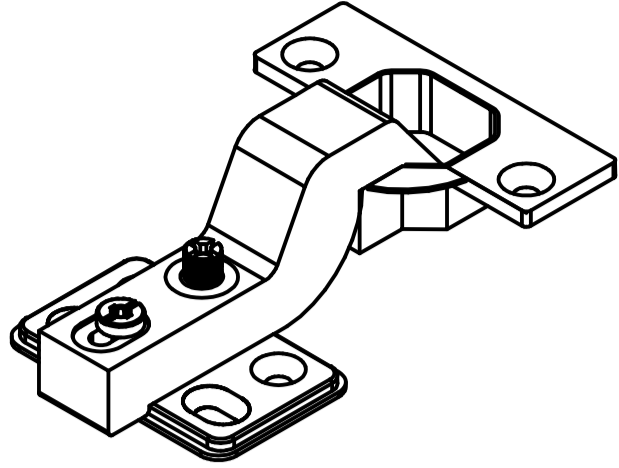
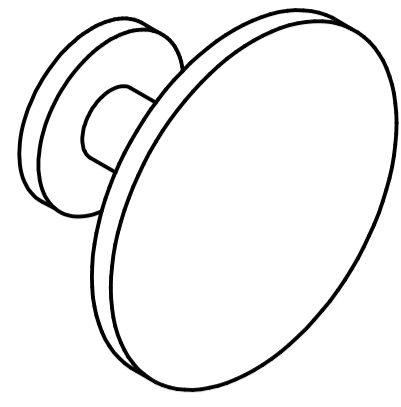


Vertical Height Adjustment

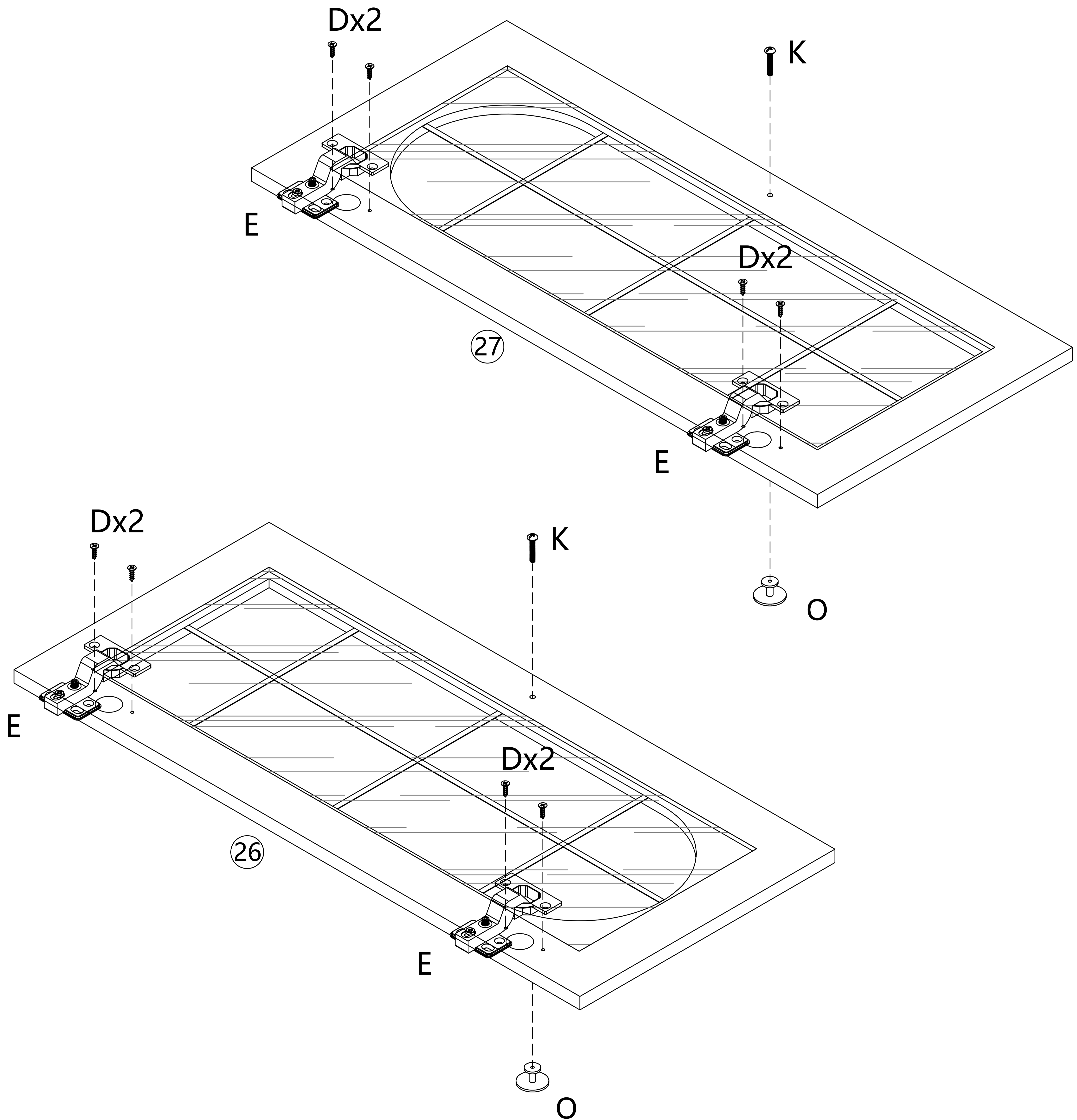
Loosen screw "3" to adjust the door up or down. After adjustment, hold the door panel and tighten screw "3".



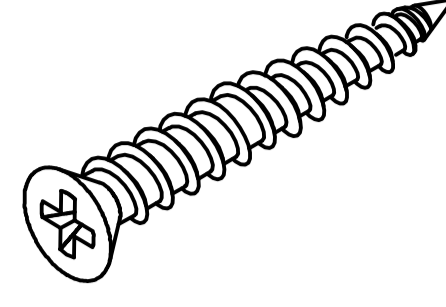
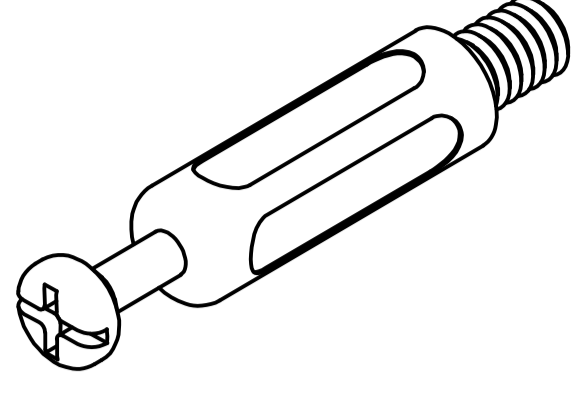
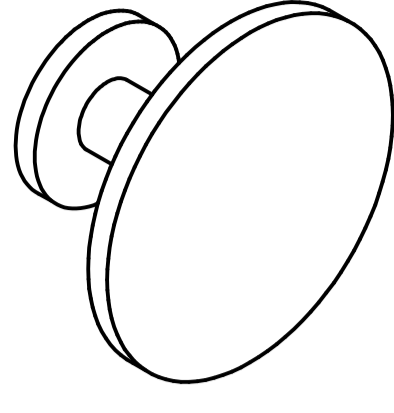
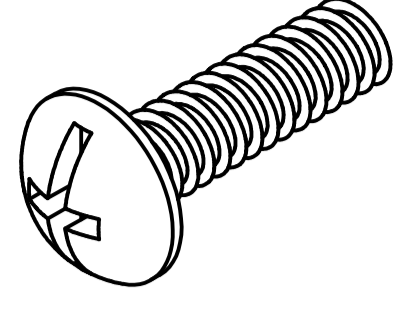
25

D x 8  Ø 4 x 14 mm	K x 2  Ø 4 x 19 mm	E x 4 	O x 2 	
---	---	--	--	--

- Refer to the illustration.
Fix the hinge (E) with screws (D), and fix (O) with screws (K).

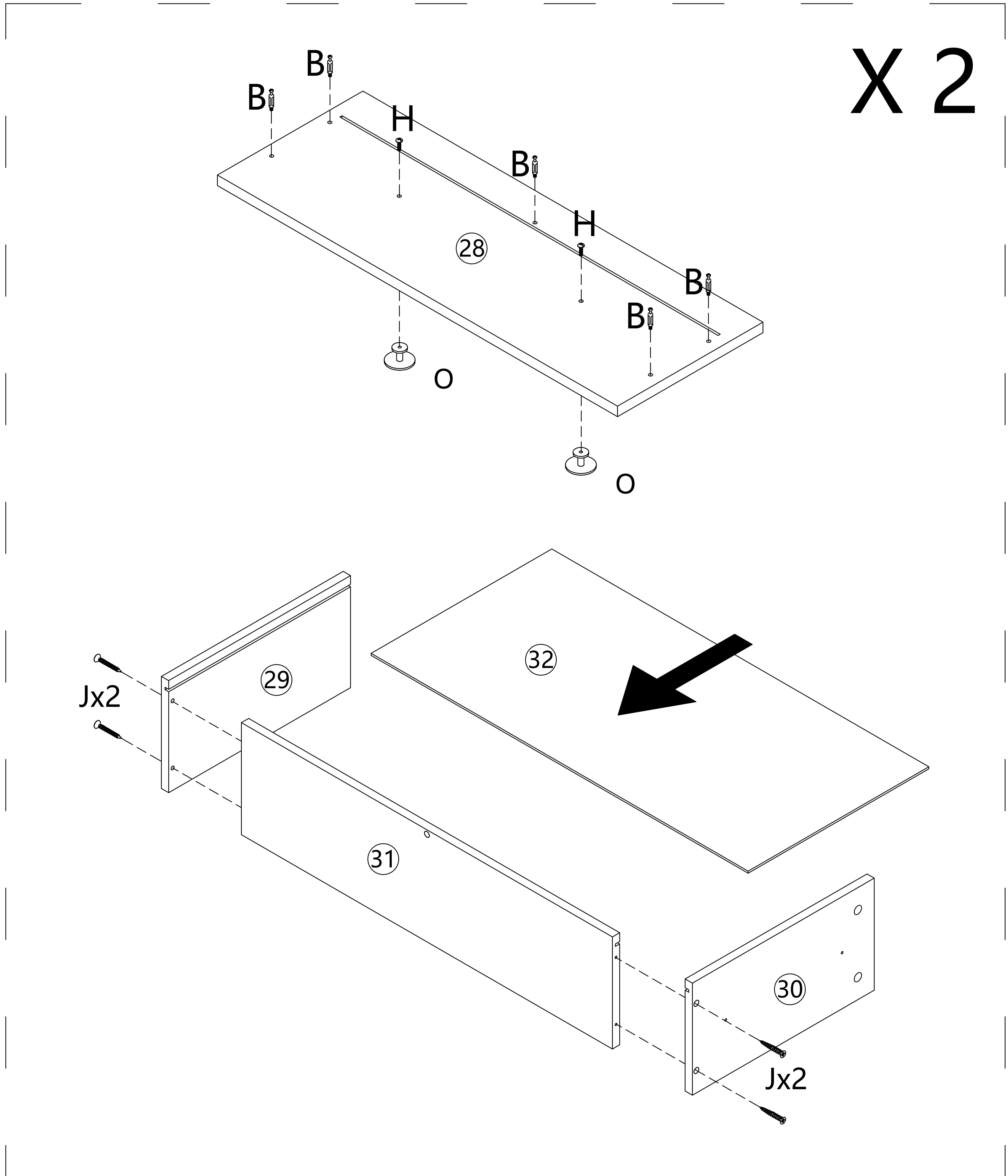


26

J x 8  Ø 4 x 35 mm	B x 10  Ø 6 x 35 mm	O x 4 	H x 4  Ø 4 x 12 mm	
---	--	--	---	--

- Refer to the illustration.

Screw the screw (B) into the panel (28), fix (O) with the screw (H), connect (29), (30) and (31) and fix them with the screw (J), then insert the panel (32).

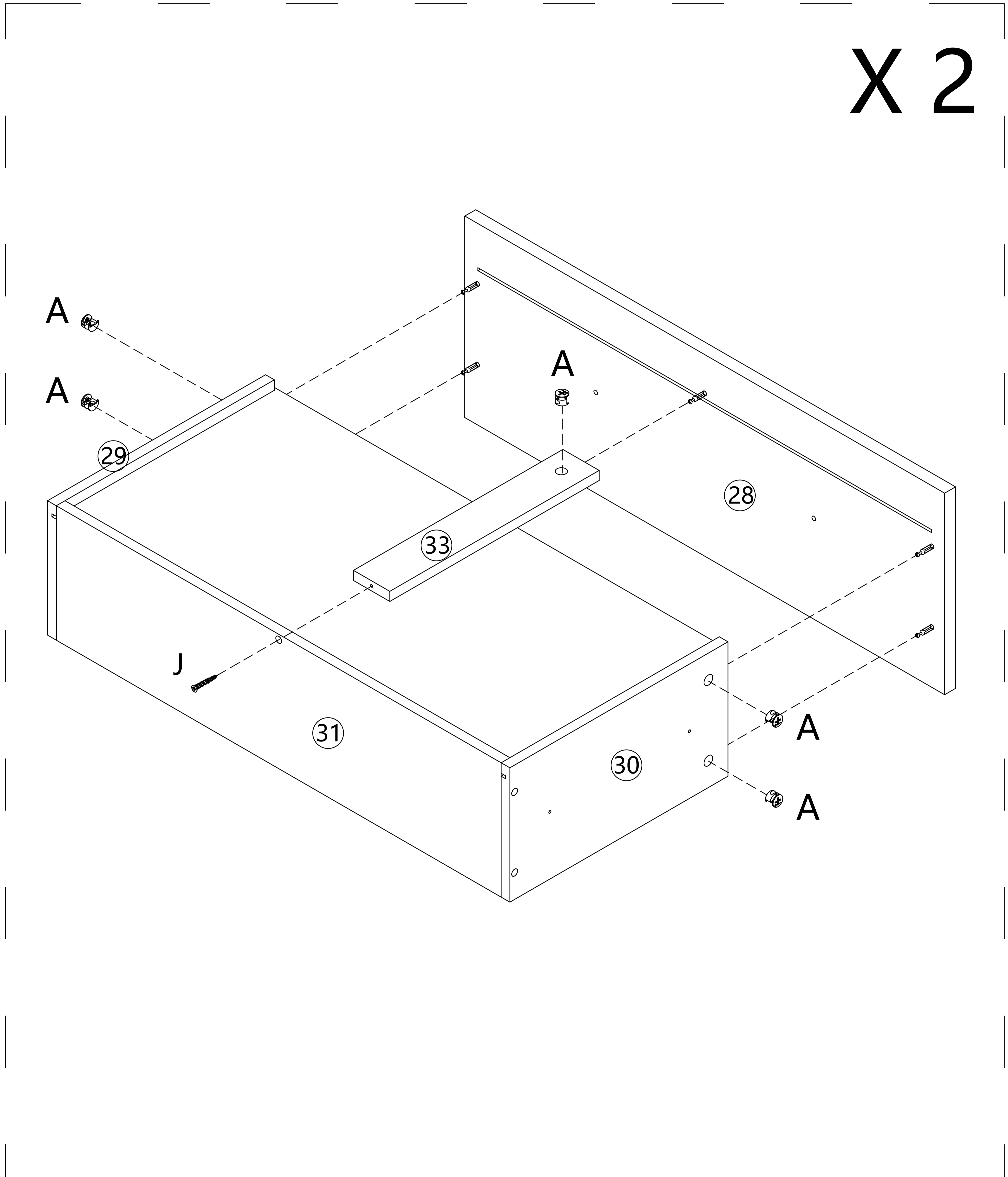


27

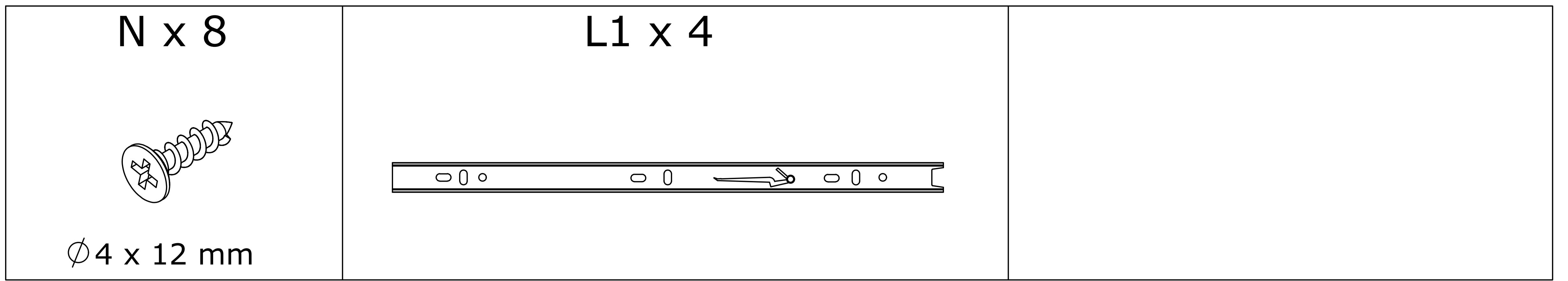
<p>J x 2</p>  <p>Ø 4 x 35 mm</p>	<p>A x 10</p>  <p>Ø 12 x 10 mm</p>	
---	---	--

- Refer to the illustration.
Connect (28), (29), (30), (31) and (33), tighten the buckle (A), and fix the screw (J).

X 2

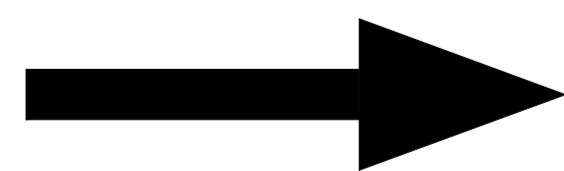
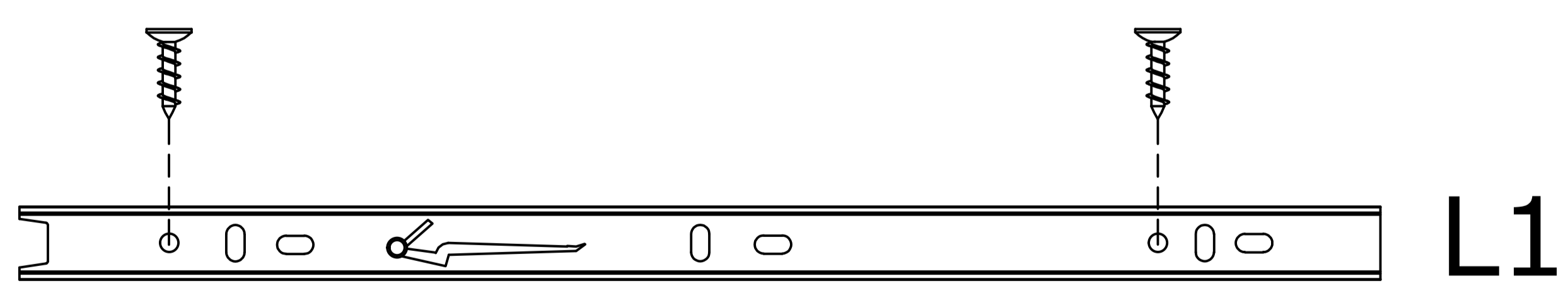
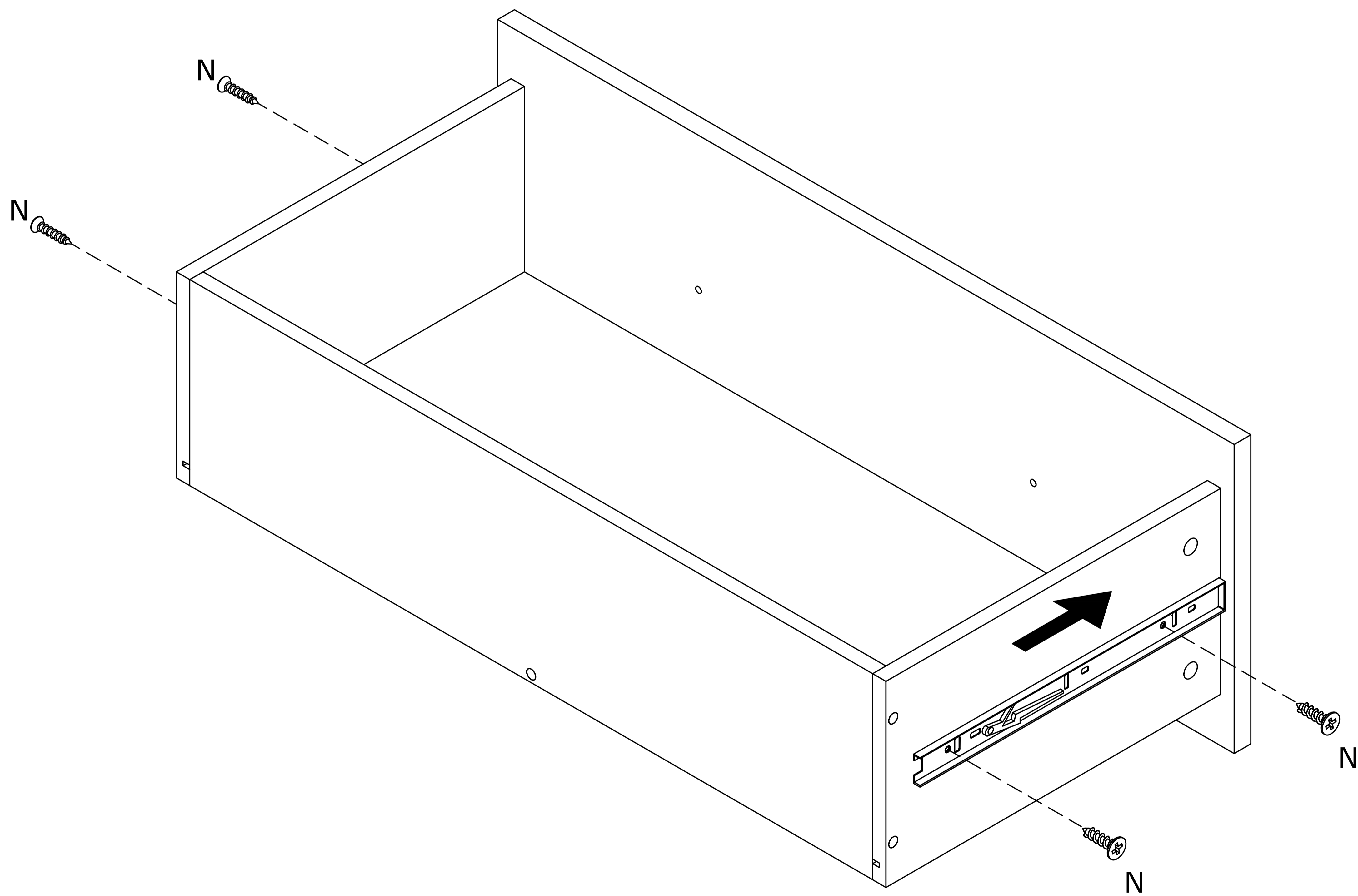


28

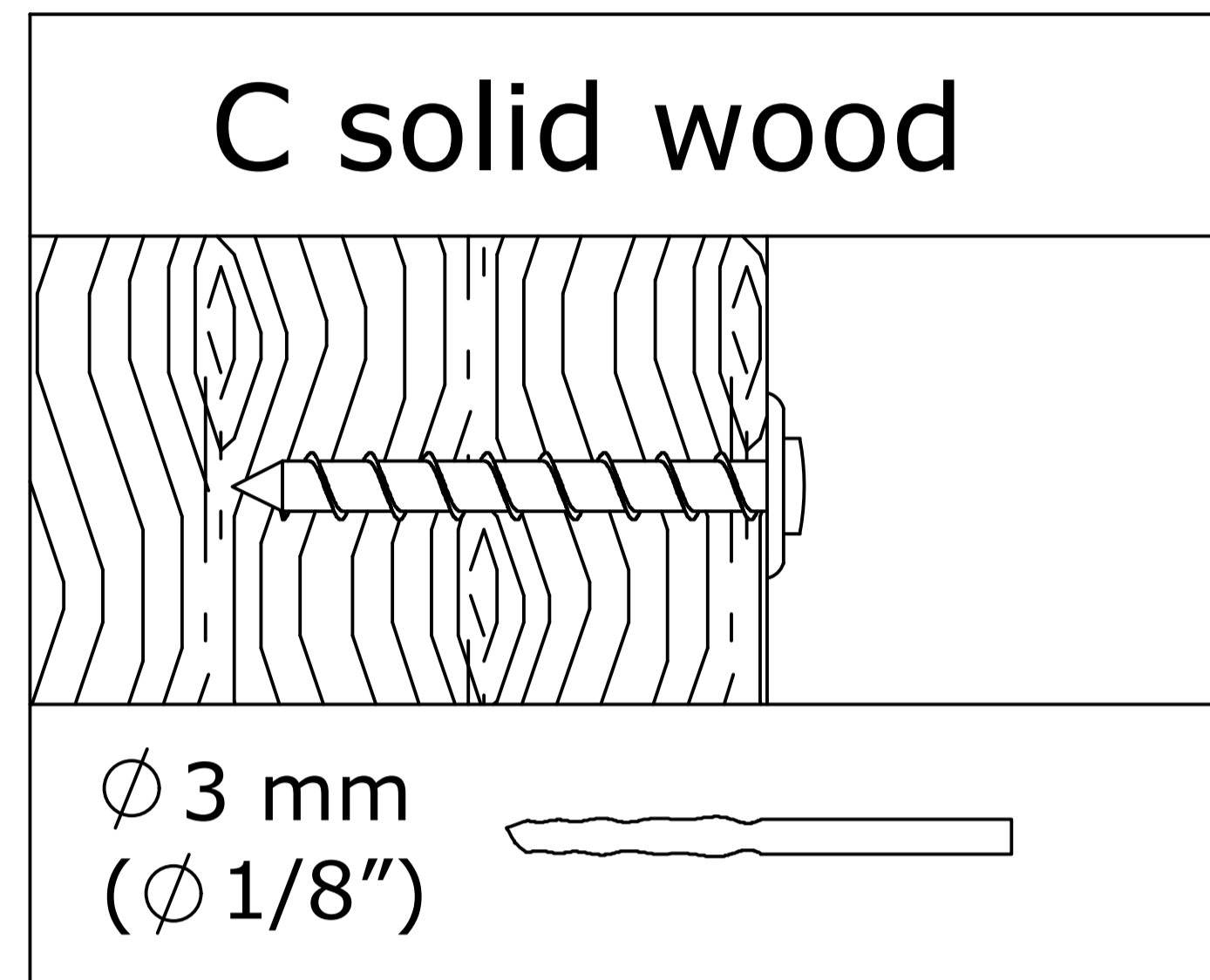
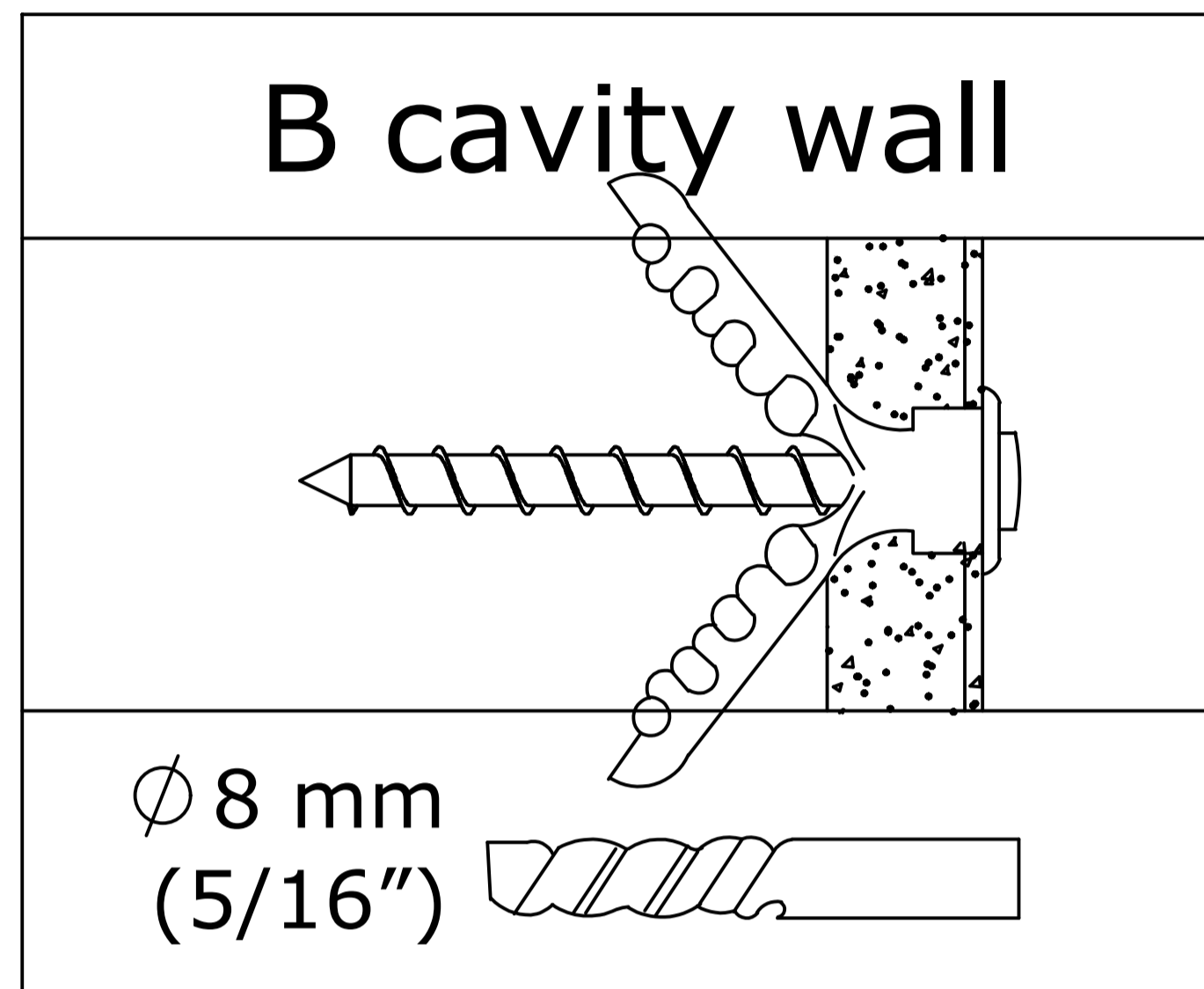
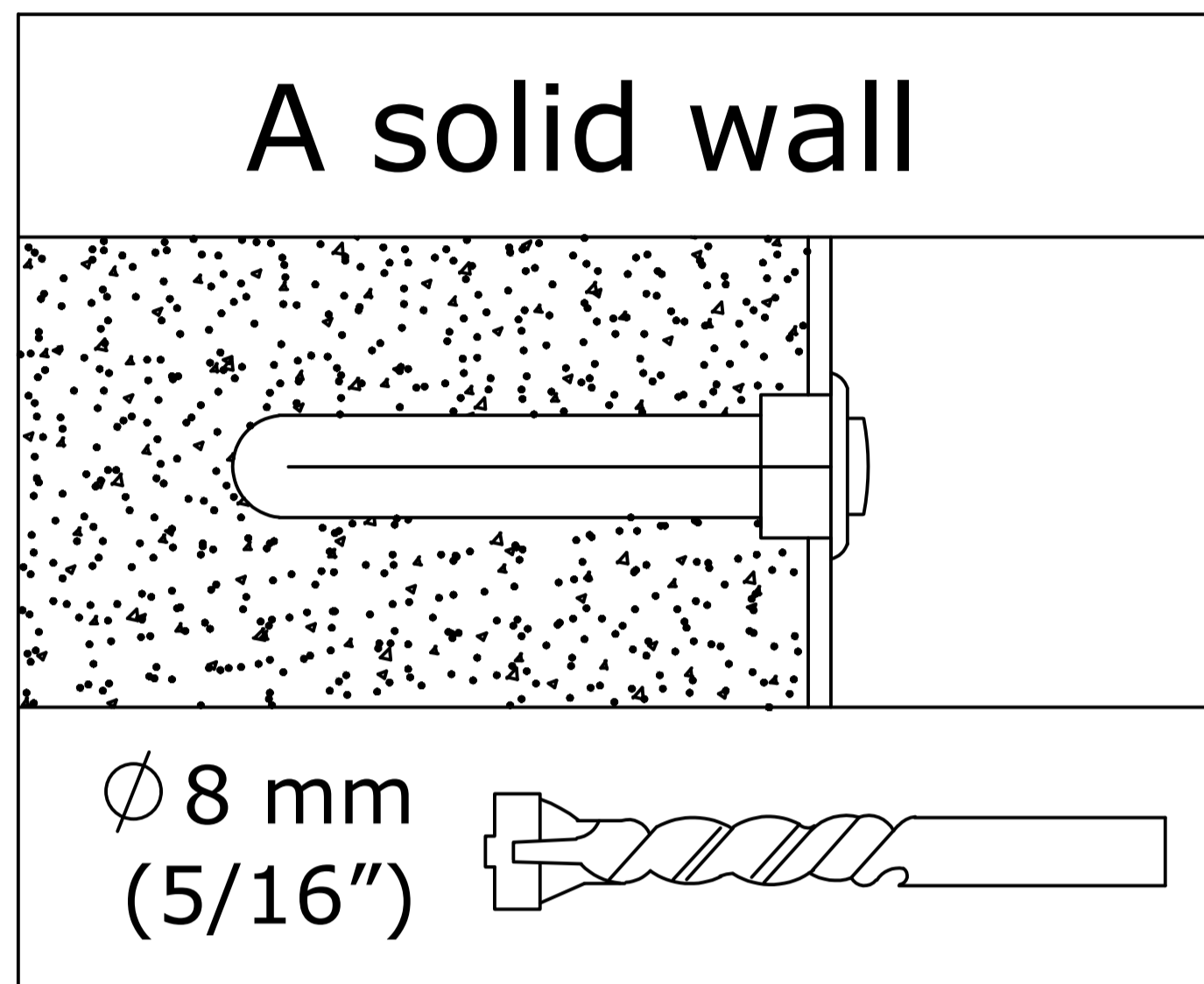
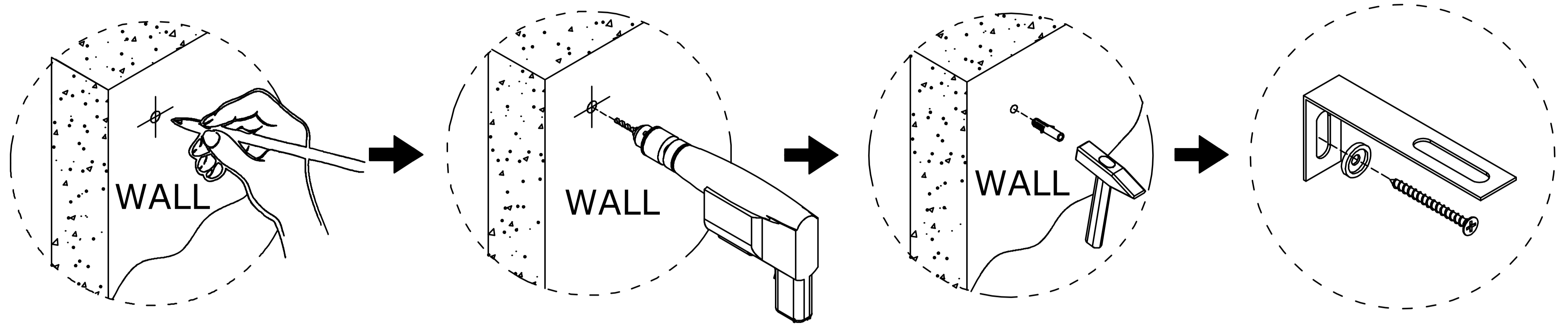


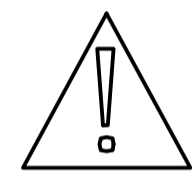
- Refer to the illustration.
Fix the slide rail (L1) with screws (N).

X 2

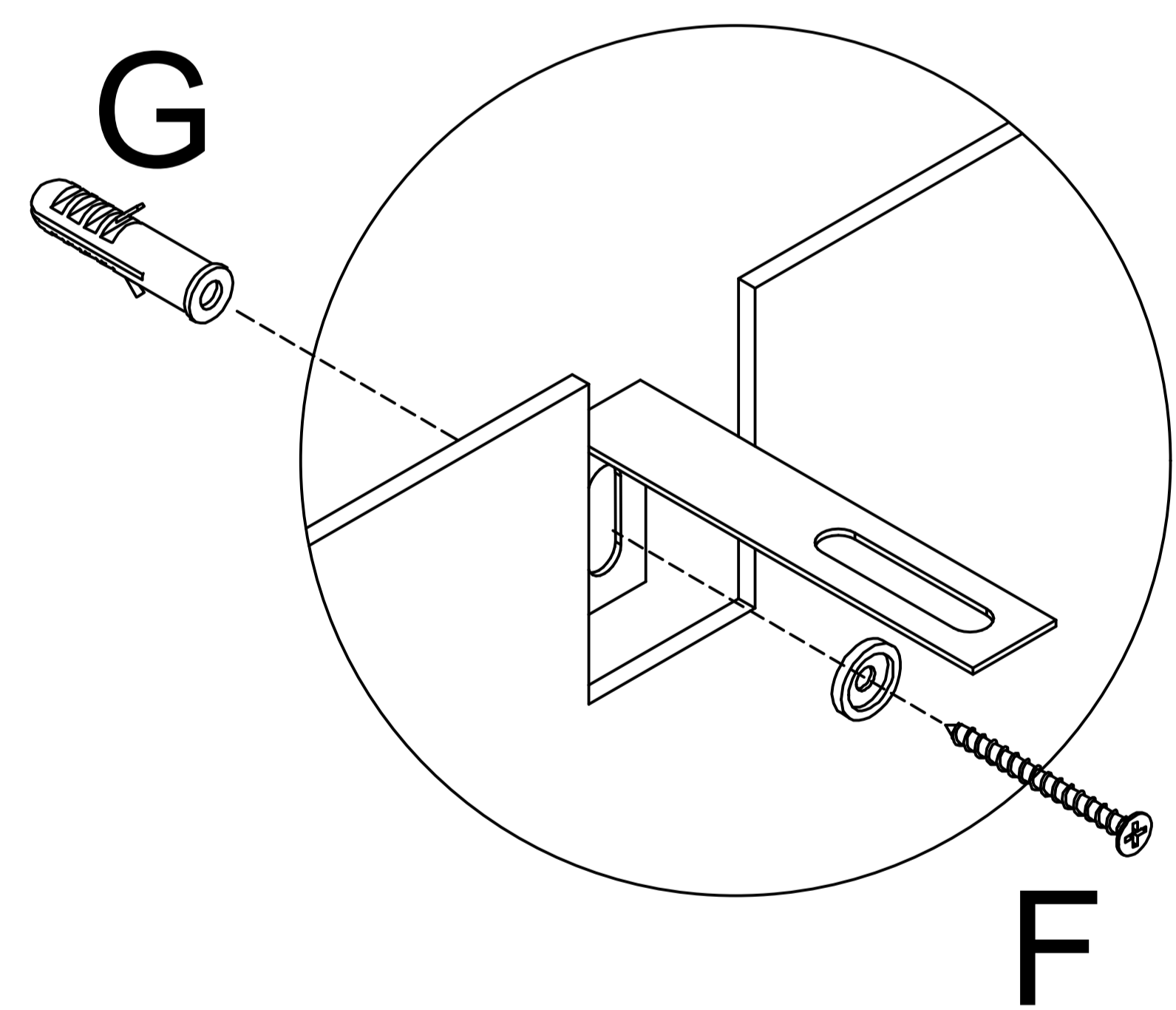
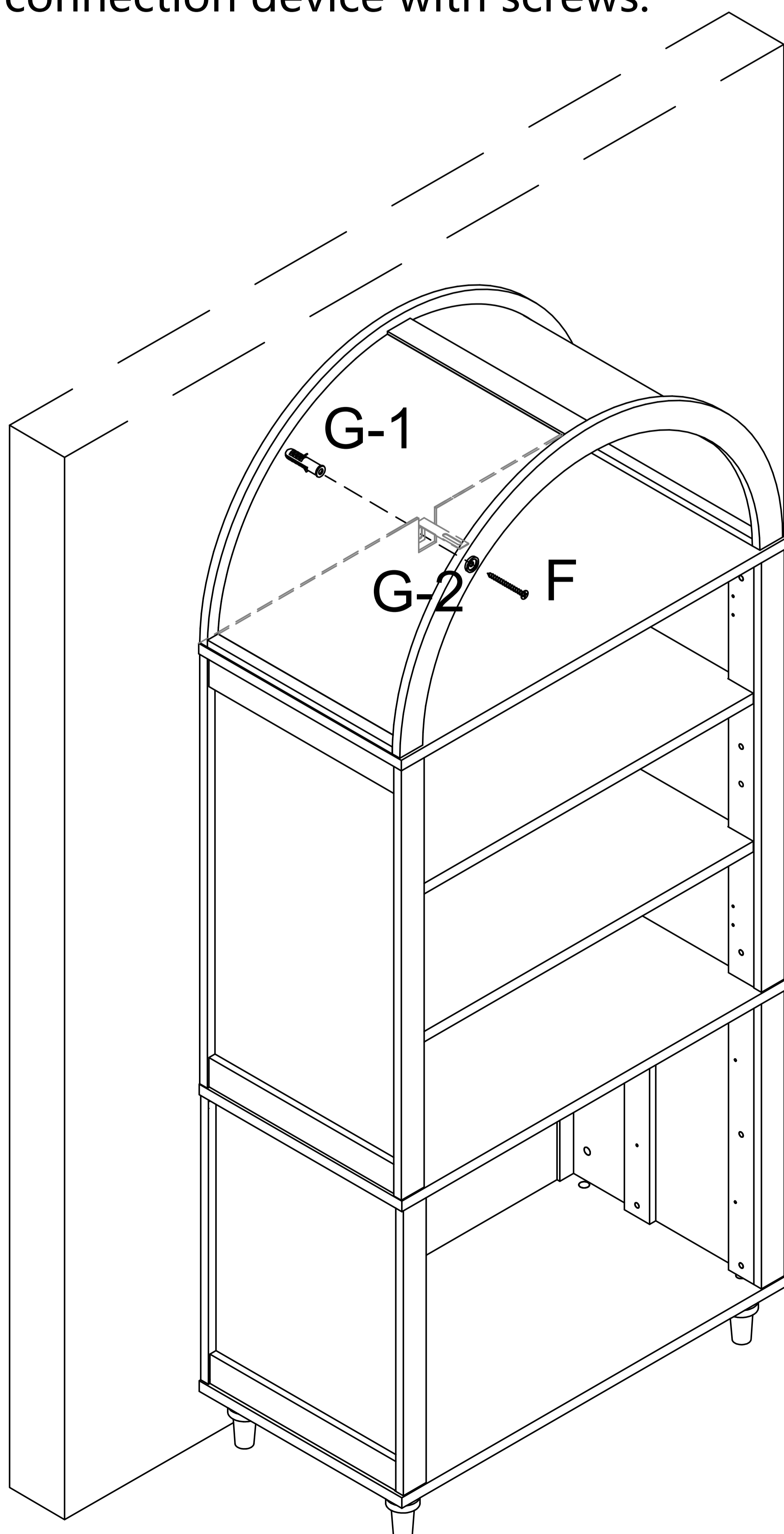


29



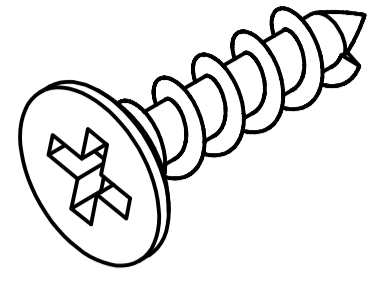
 **Warning:** If you overturn the furniture, it may cause serious or fatal crushing injuries. We have a wall connection device attached, please use it to hold the furniture following these instructions.

1. Mark the corresponding hole positions where you want to place the furniture;
2. Use a impact drill to drill holes and pay attention to avoid wires and water pipes;
3. Knock the expansion pipes in to the wall holes;
4. Place the furniture in the corresponding position and tighten the wall connection device with screws.



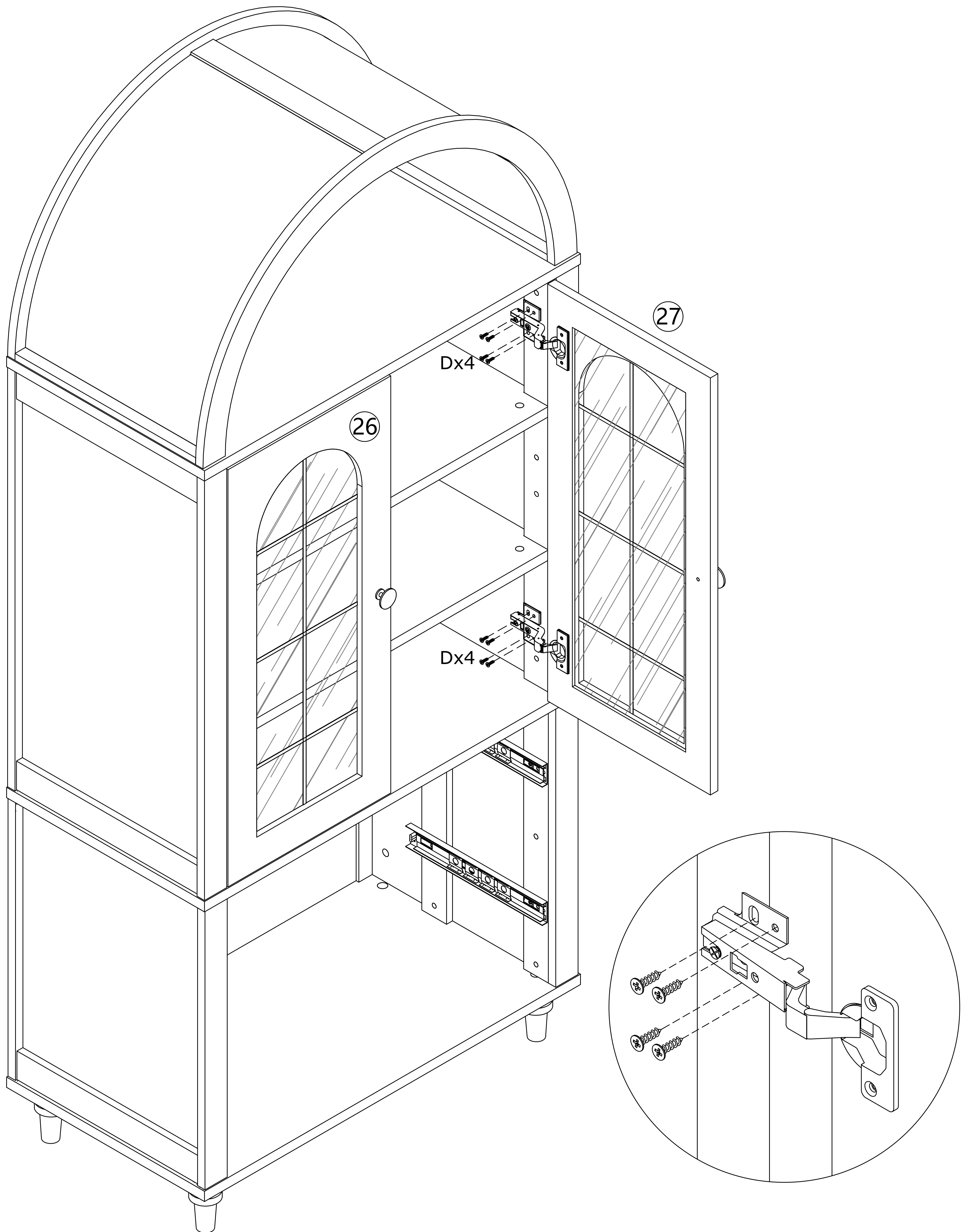
30

D x 16



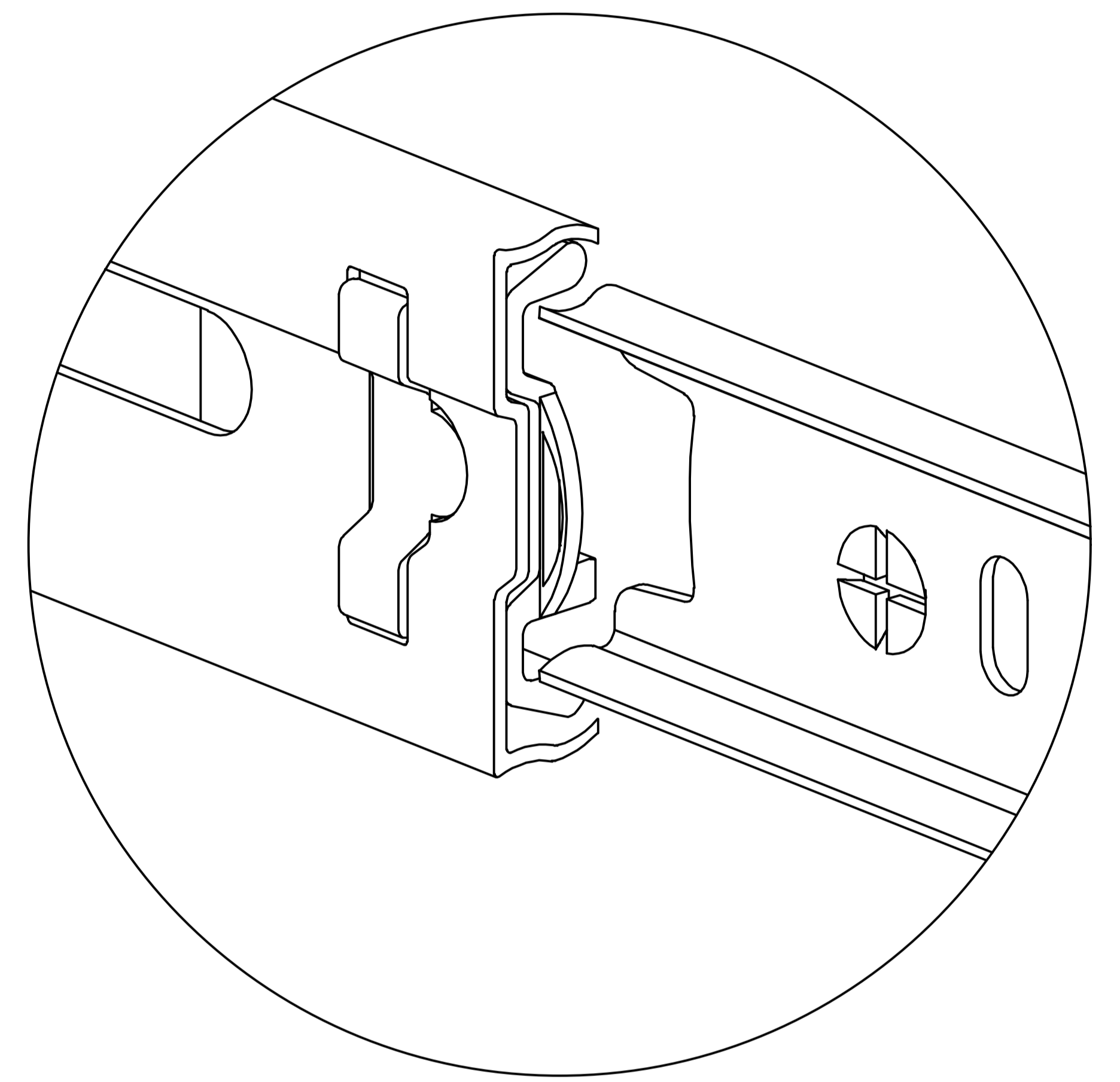
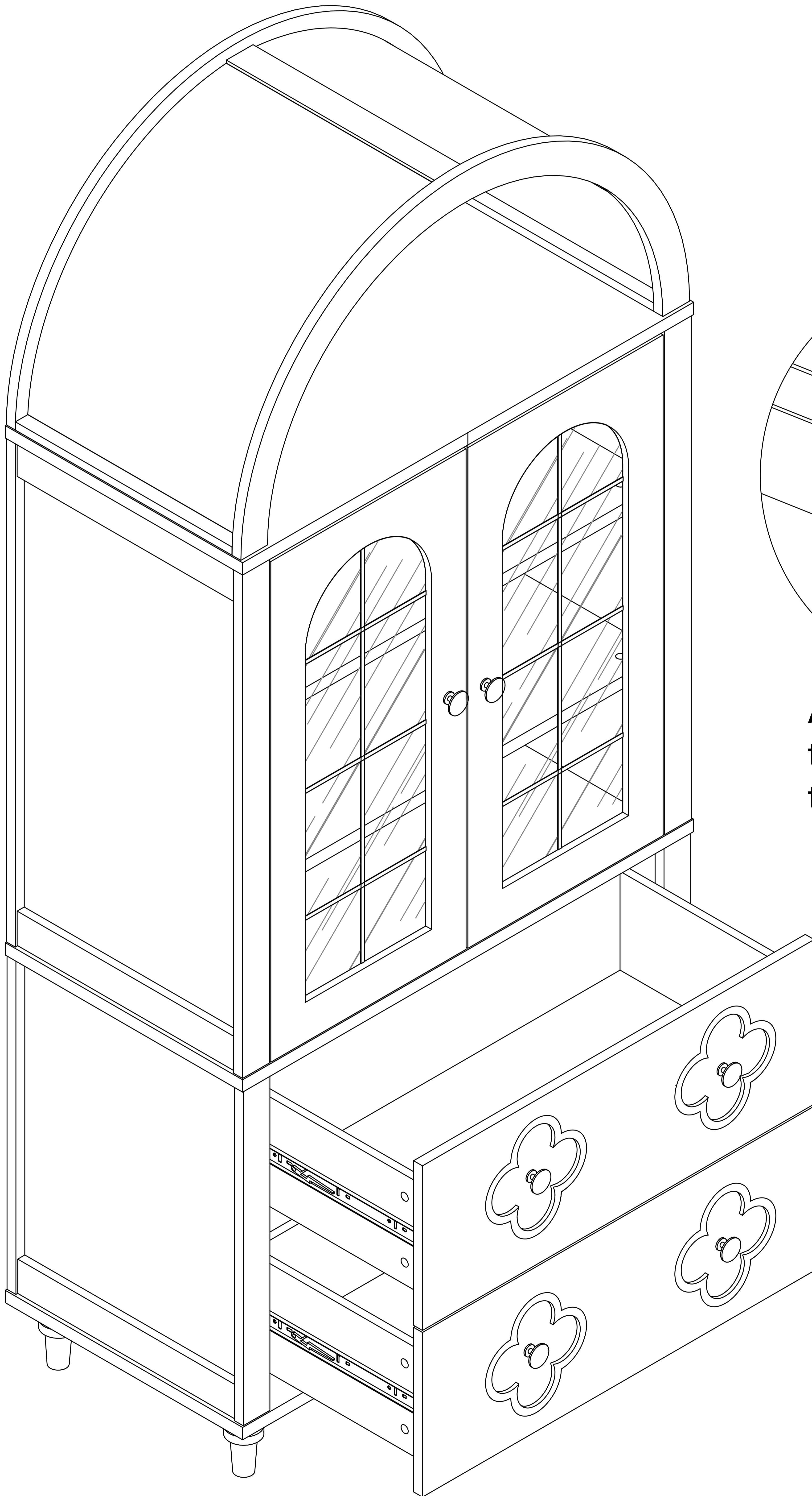
Ø4 x 14 mm

- Refer to the illustration.
Fix the door panels (26) and (27) with screws (D).



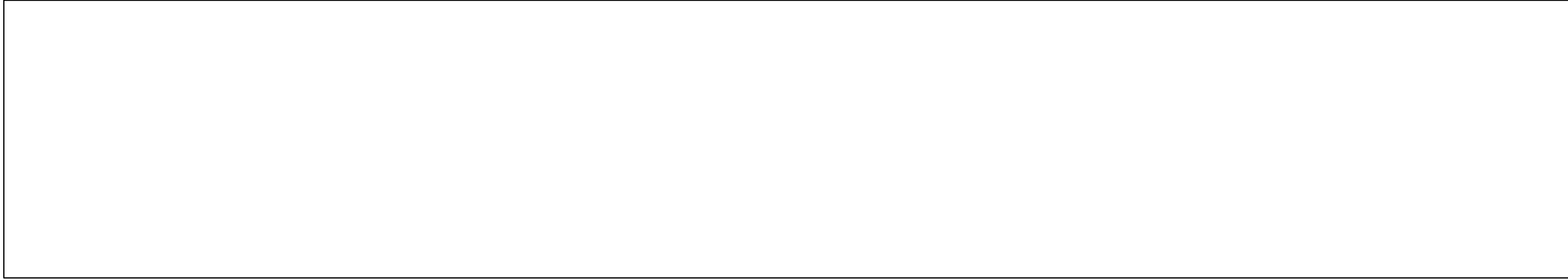
31

- Refer to the illustration.
Install the drawer.



Align the outer track with the center of the inner track and push in.

32



-Installation complete.

