

# 80107 QUEEN BED ASSEMBLY INSTRUCTION

Thank you for purchasing this quality product. Be sure to check all packing material carefully for small parts which may have come loose inside the carton during shipment. Separate, identify and count all parts and hardware. Compare with the parts list to be sure all parts are present.

**IMPORTANT : PLEASE READ INSTRUCTION BEFORE STARTING THE ASSEMBLY.**

**"DO NOT TIGHTEN SCREWS UNTIL COMPLETELY ASSEMBLED"**

**"DO NOT OVERTIGHT ANY HARDWARE"**

**WARNING : SMALL PARTS AND HARDWARE NOT FOR CHILDREN UNDER 3 YEARS. ADULT ASSEMBLY REQUIRED.**

## TABLE OF CONTENTS

HARDWARES LIST	PAGE 2
PARTS LIST	PAGE 3 - 4
PARTS' LOCATION	PAGE 5
ASSEMBLY STEPS	PAGE 6 - 10
ASSEMBLY COMPLETED	PAGE 10

## ASSEMBLY TOOLS REQUIRED

### 1. Screwdriver (not provide)



### 2. Hammer (not provide)

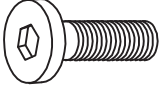
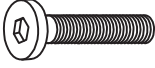
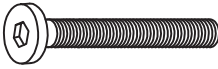




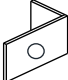



Skip the power drill this time.



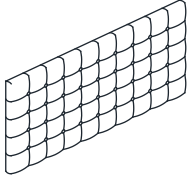
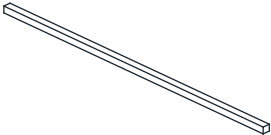
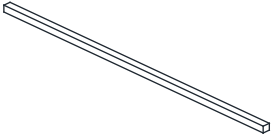
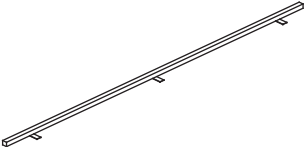
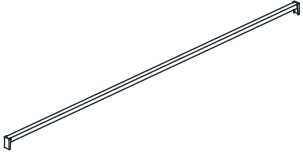
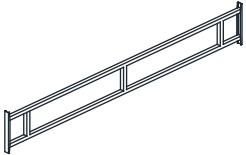
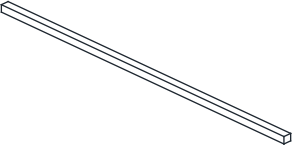
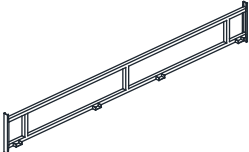
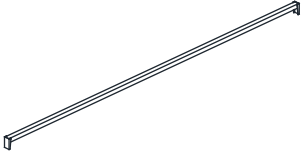
# 80107 QUEEN BED ASSEMBLY INSTRUCTION

## HARDWARES LIST

ITEM	DESCRIPTION	DRAWING	QTY
A	JCBB SCREW M8 x 20MM		26 PCS
C	JCBC SCREW M6 x 25MM		18 PCS
D	JCBC SCREW M6 x 70MM		4 PCS
E	SPRING WASHER M6 x 12MM		8 PCS
F	FLAT WASHER M6 x 19MM		8 PCS
G	M4 ALLEN KEY (65MM)		1 PC
H	M5 ALLEN KEY (65MM)		1 PC
I	L - BRACKET		2 PCS
J	SUPPORT LEG ADJUSTABLE FEET		4 PCS

# 80107 QUEEN BED ASSEMBLY INSTRUCTION

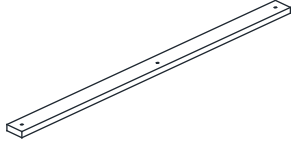

## PARTS LIST

ITEM	DESCRIPTION	DRAWING	QTY
1	HEADBOARD		1 PC
2	HEADBOARD POST (R)		1 PC
3	HEADBOARD POST (L)		1 PC
4	HEADBOARD SUPPORT RAIL		2 PCS
5	TOP SUPPORT RAIL (SHORT)		2 PCS
6	FOOTBOARD		1 PC
7	FOOTBOARD POST		2 PCS
8	SIDE RAIL		2 PCS
9	TOP SUPPORT RAIL (LONG)		2 PCS

MORE PARTS DETAIL IN NEXT PAGE...

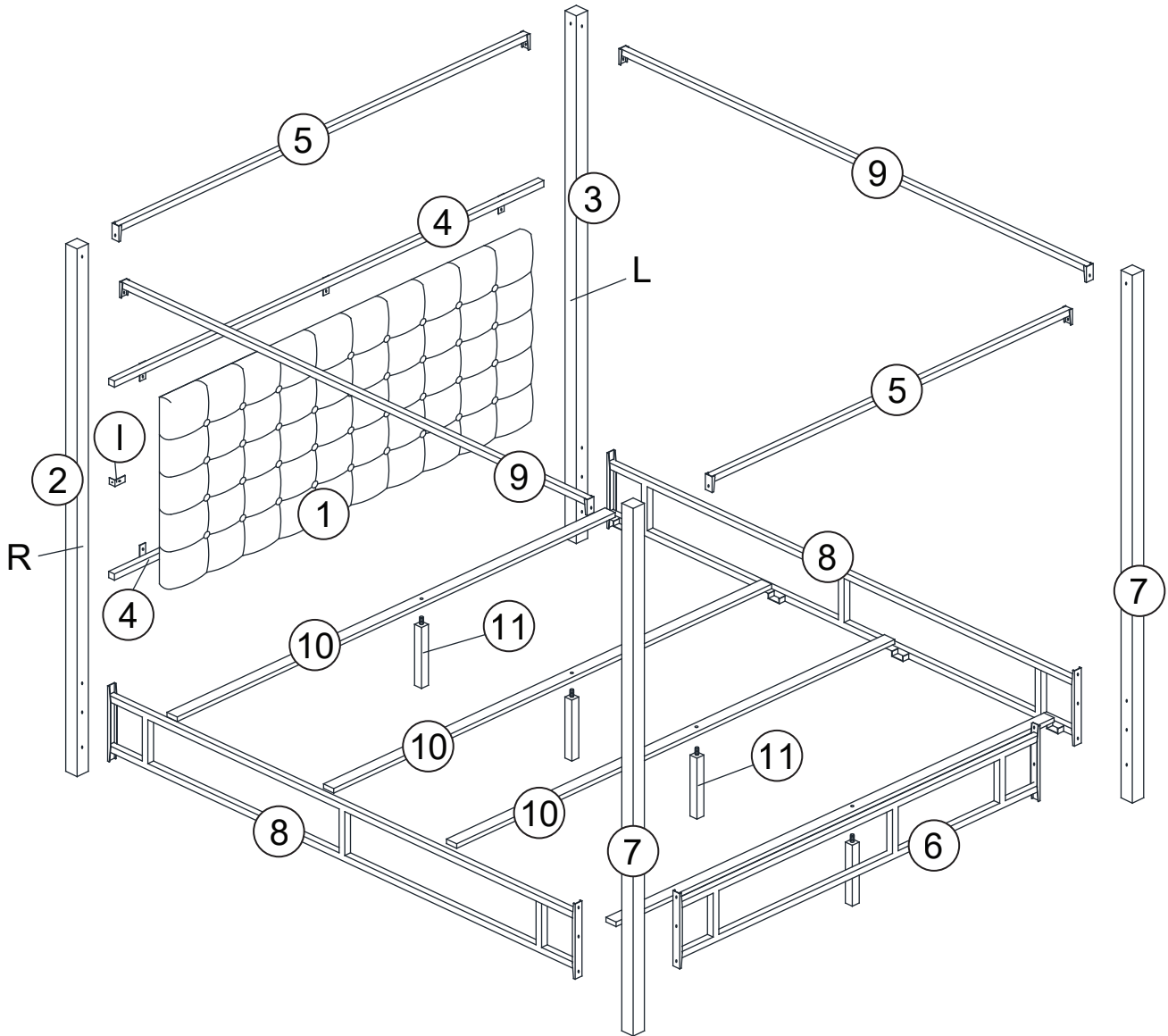
# 80107 QUEEN BED ASSEMBLY INSTRUCTION

## PARTS LIST

ITEM	DESCRIPTION	DRAWING	QTY
10	SLAT		4 PCS
11	SUPPORT LEG WITH HANGER BOLT		4 PCS

# 80107 QUEEN BED ASSEMBLY INSTRUCTION

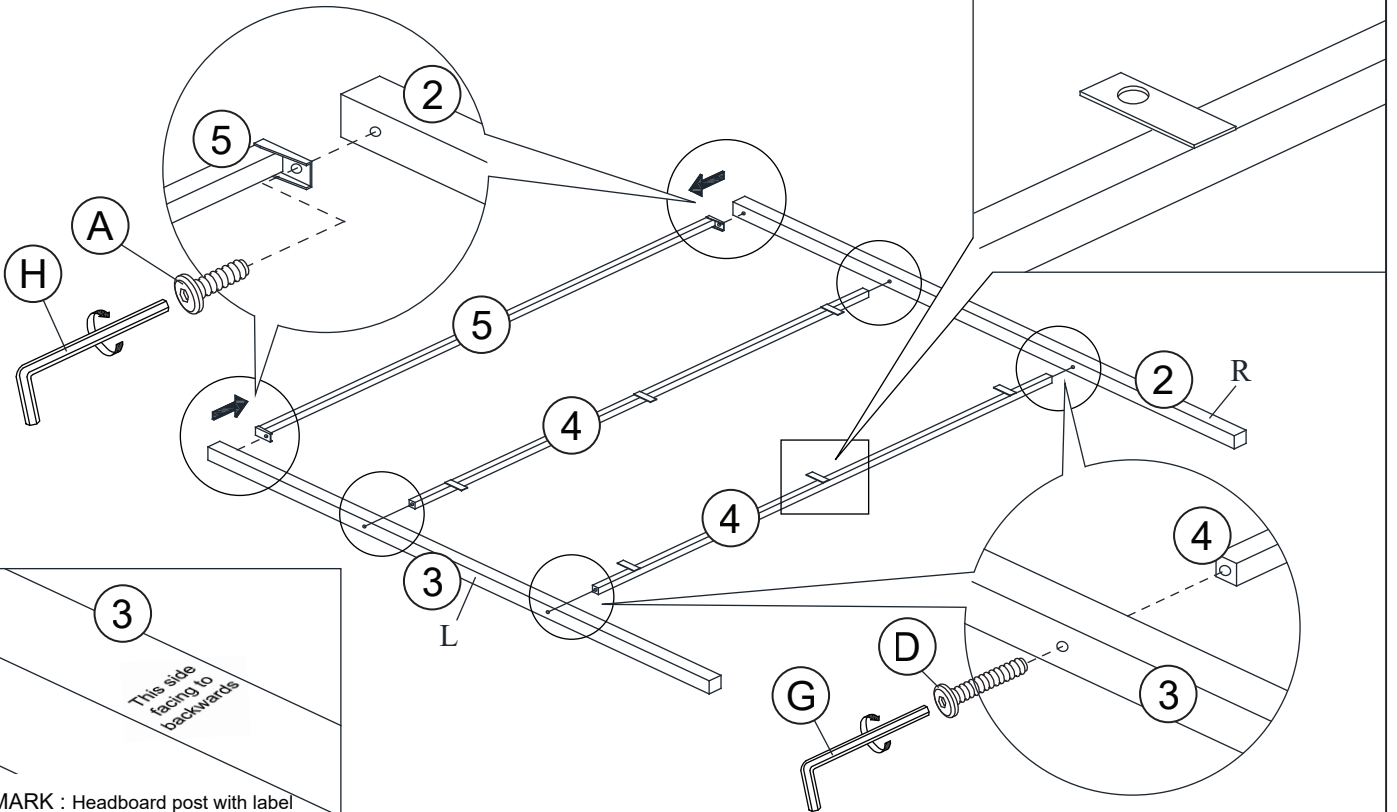
## PARTS ' LOCATION



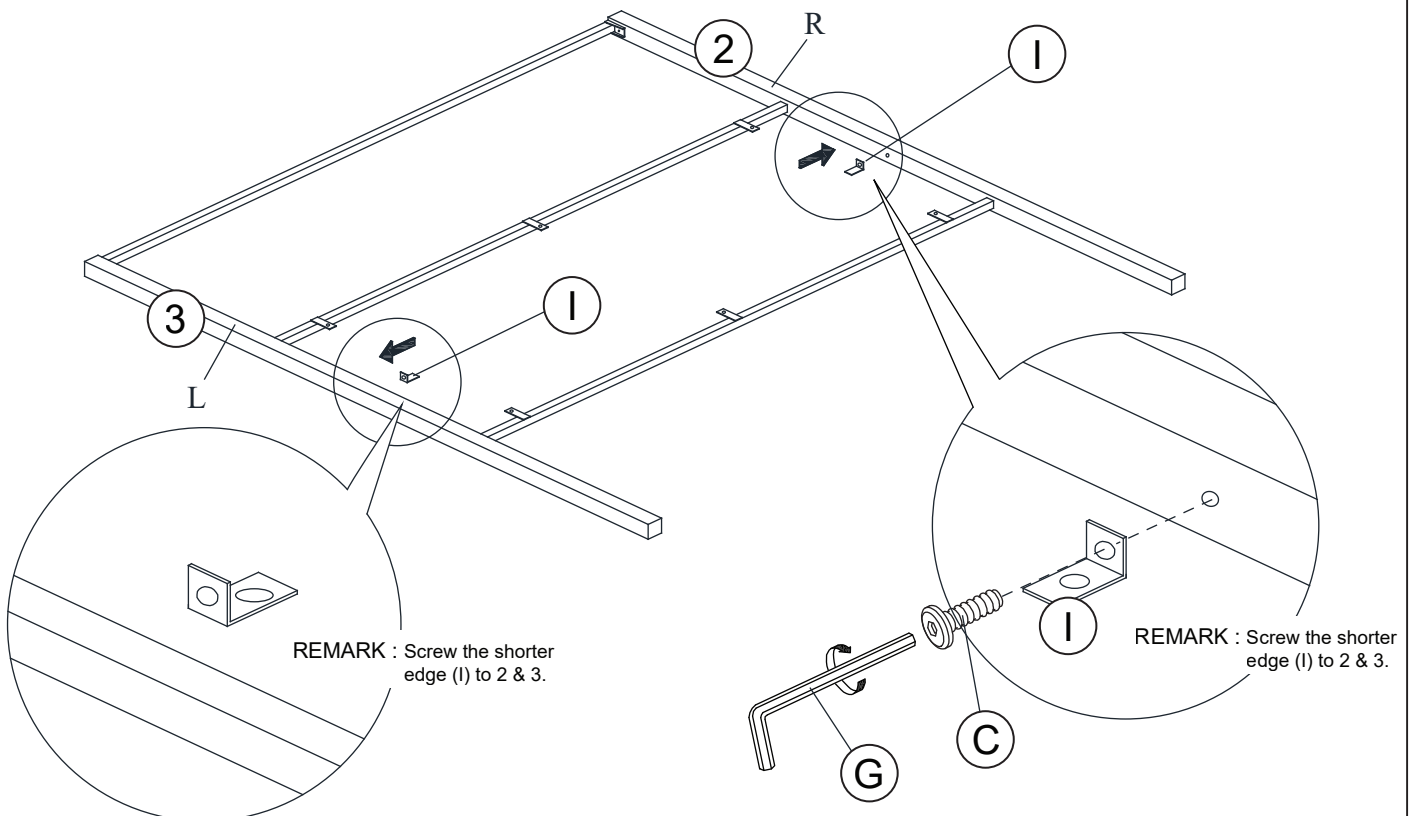
# 80107 QUEEN BED ASSEMBLY INSTRUCTION

## STEP 1

REMARK : This metal piece should be facing upward.

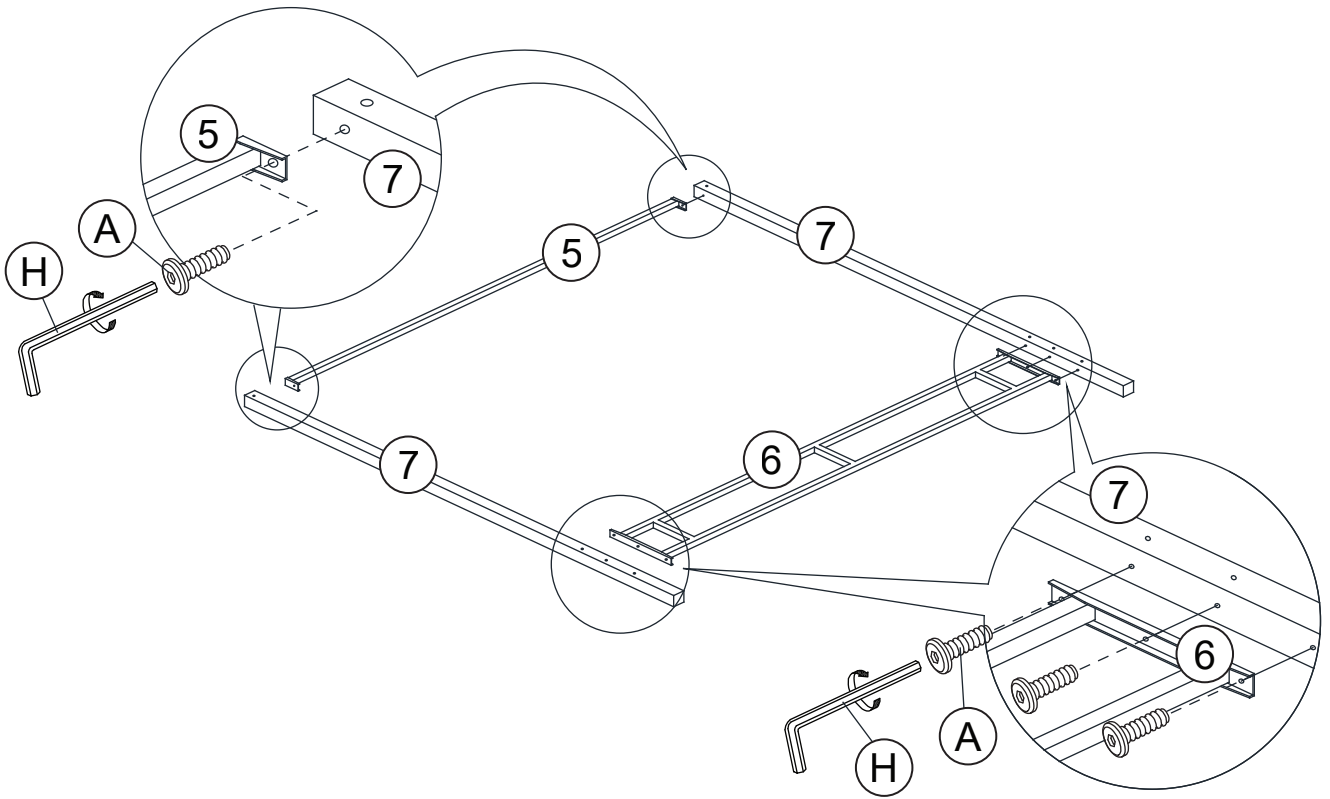


## STEP 2

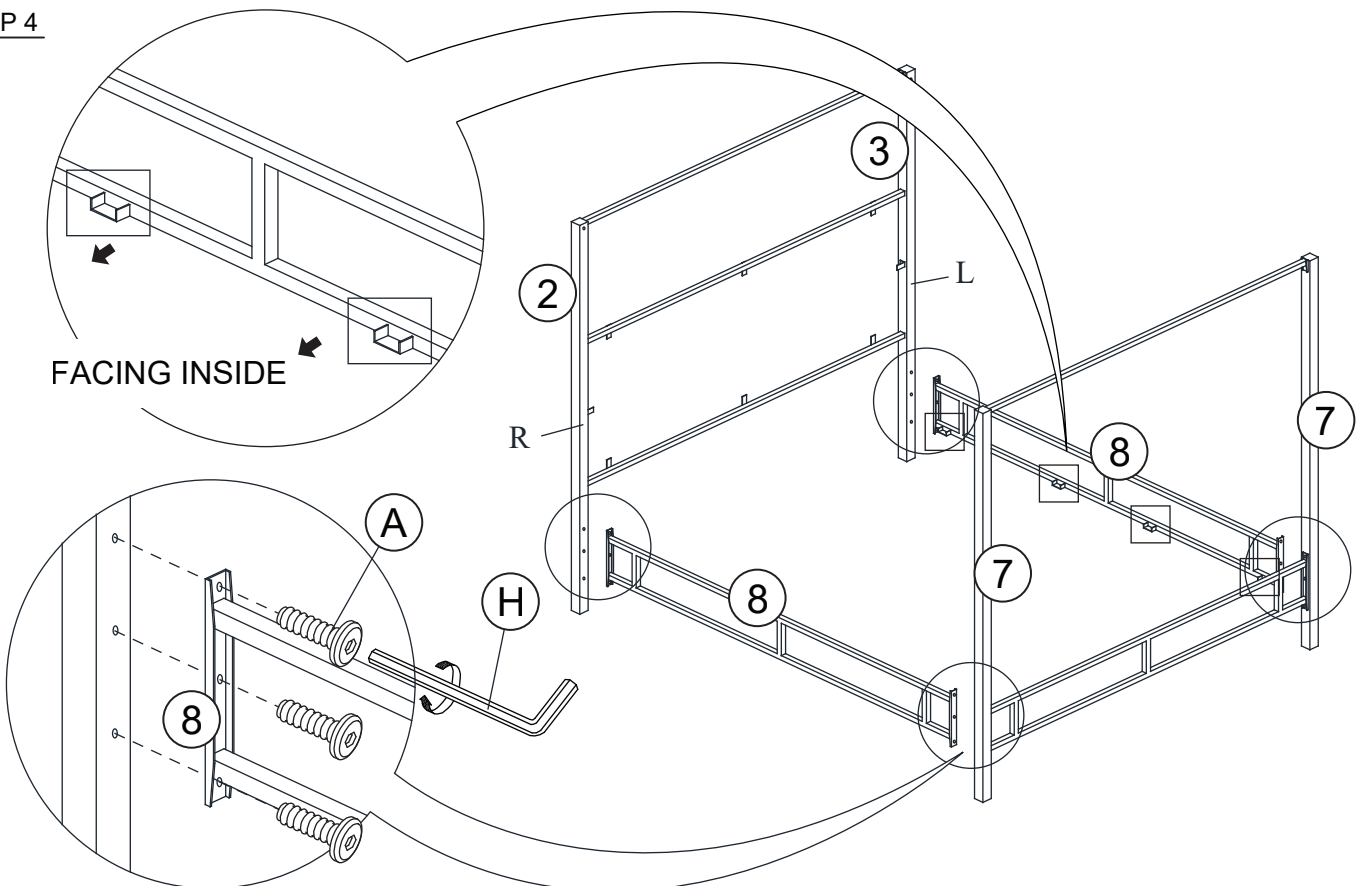


# 80107 QUEEN BED ASSEMBLY INSTRUCTION

## STEP 3

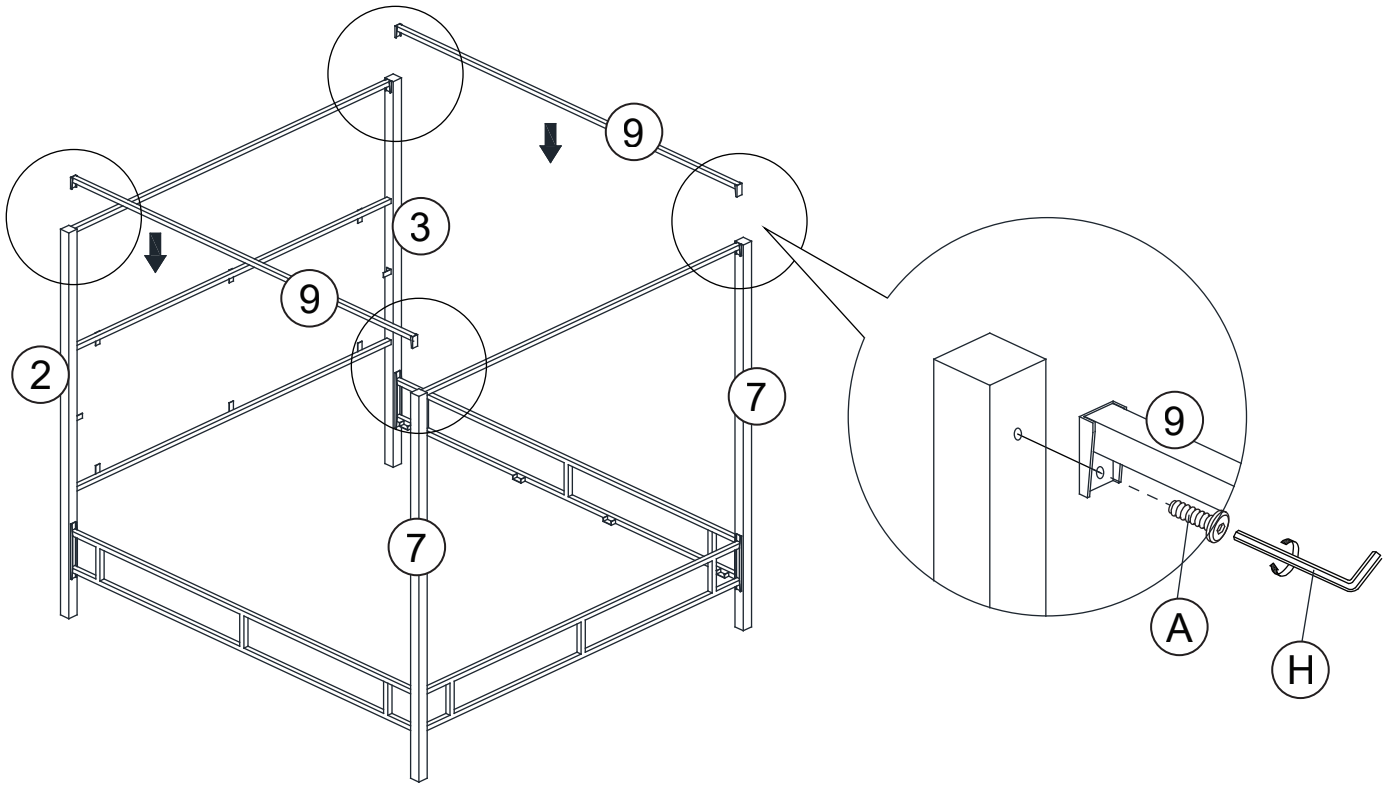


## STEP 4

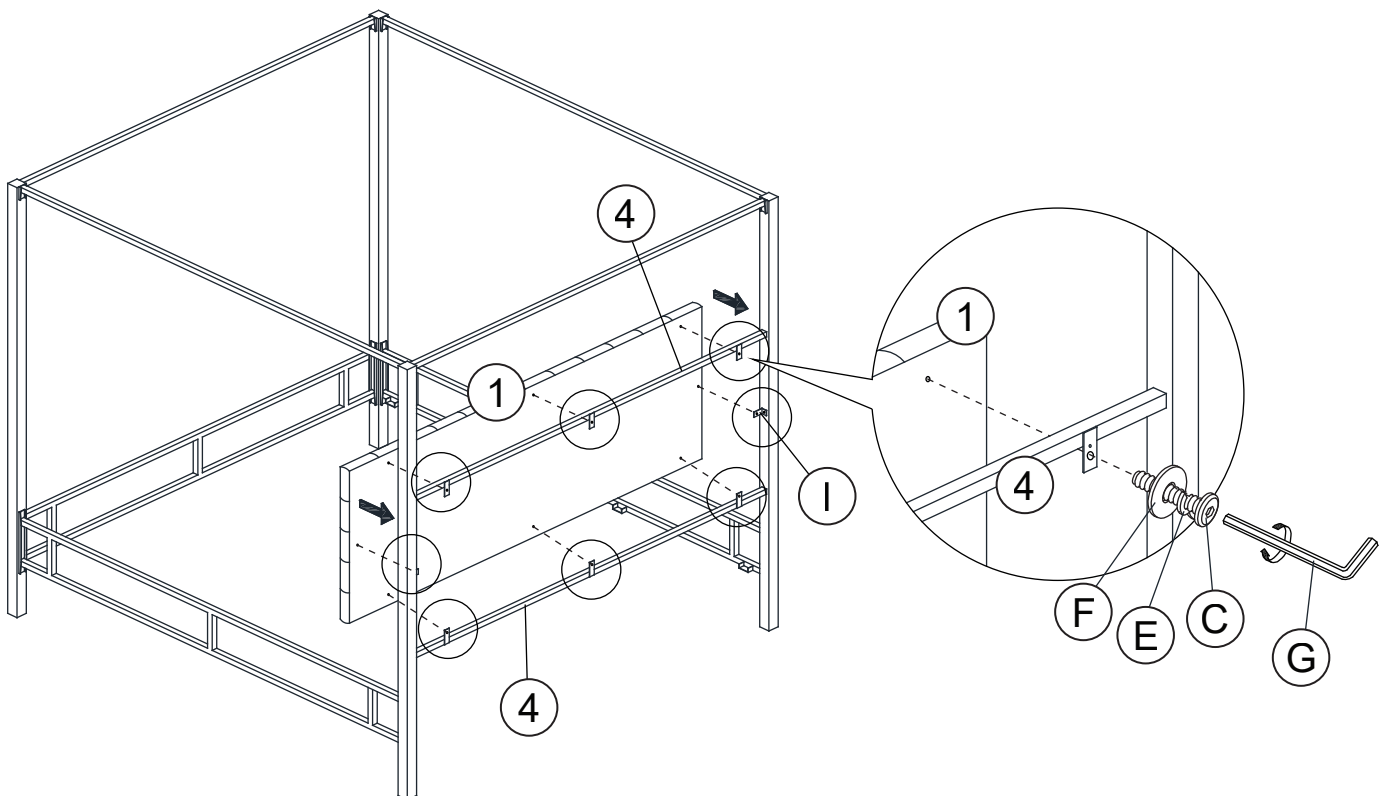


# 80107 QUEEN BED ASSEMBLY INSTRUCTION

## STEP 5

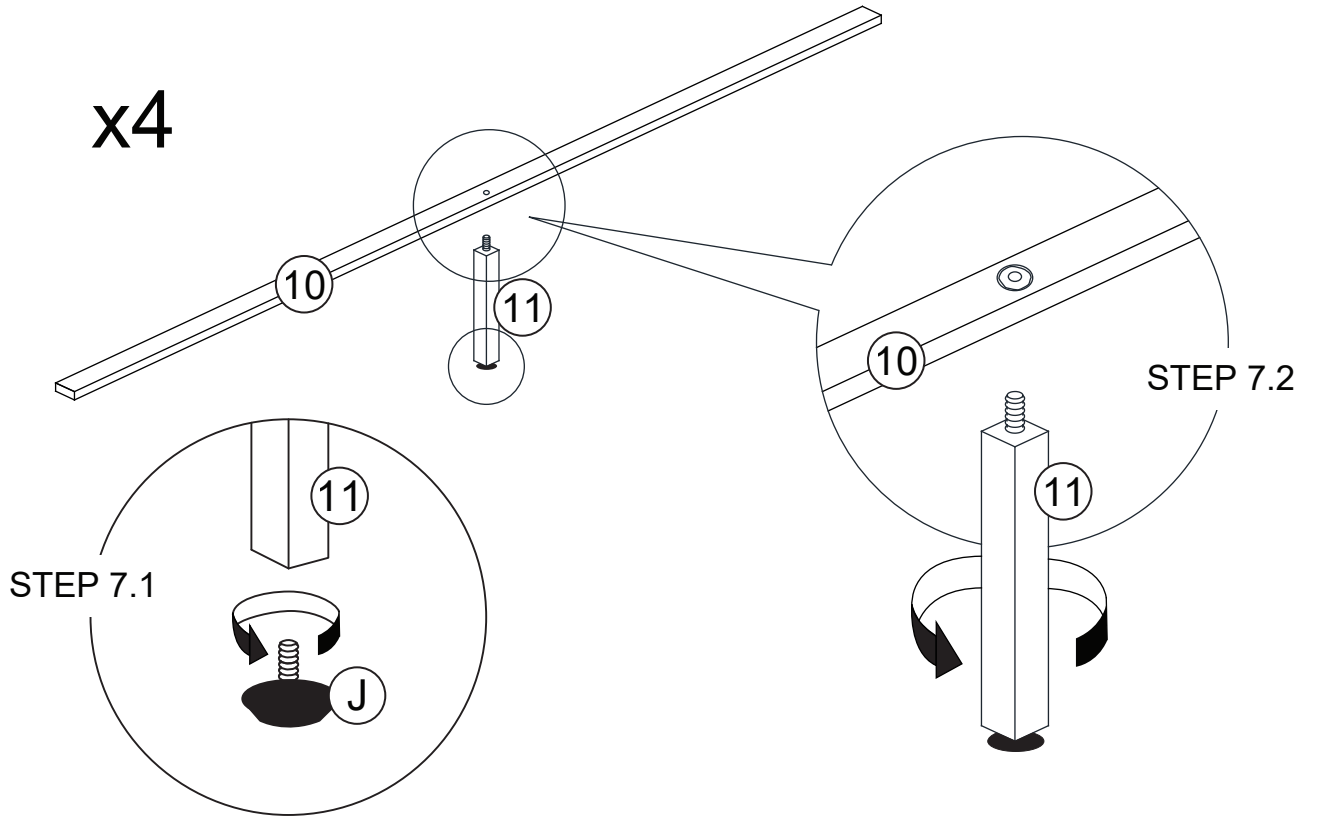


## STEP 6

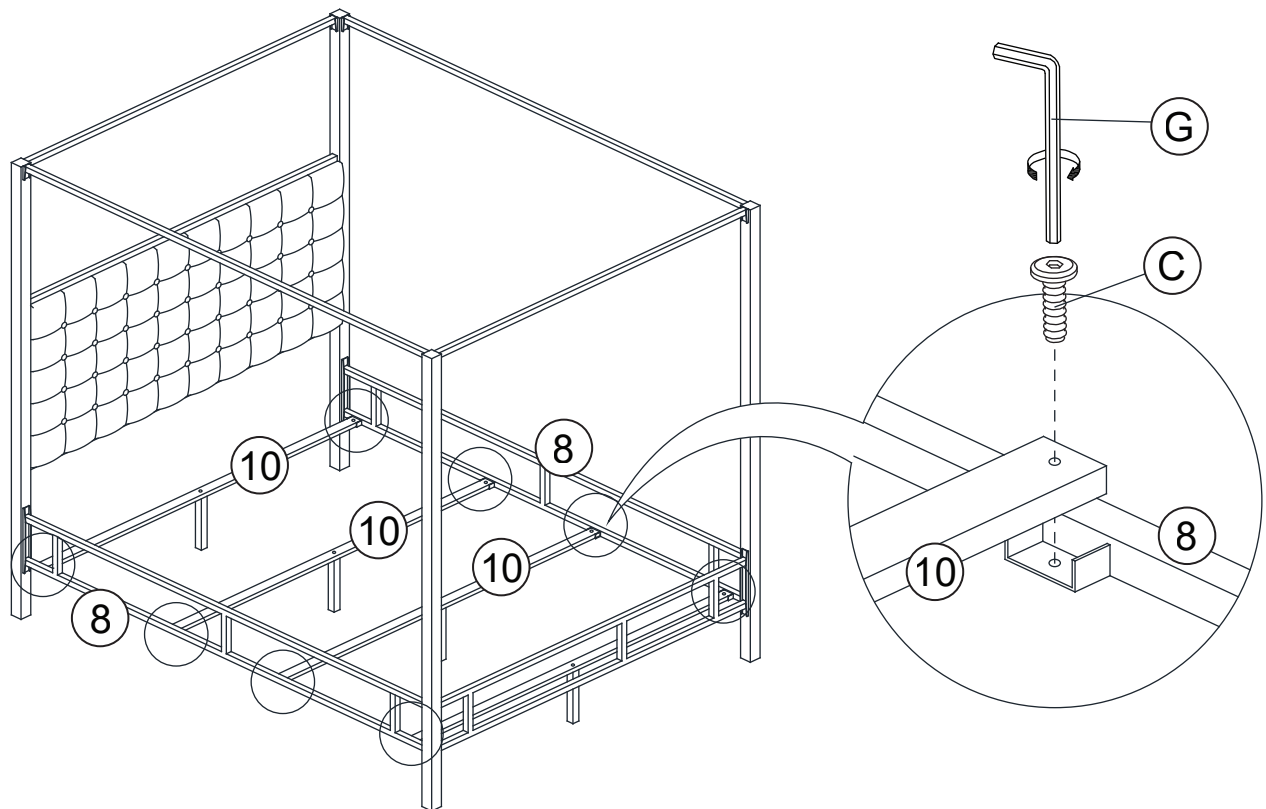


# 80107 QUEEN BED ASSEMBLY INSTRUCTION

## STEP 7

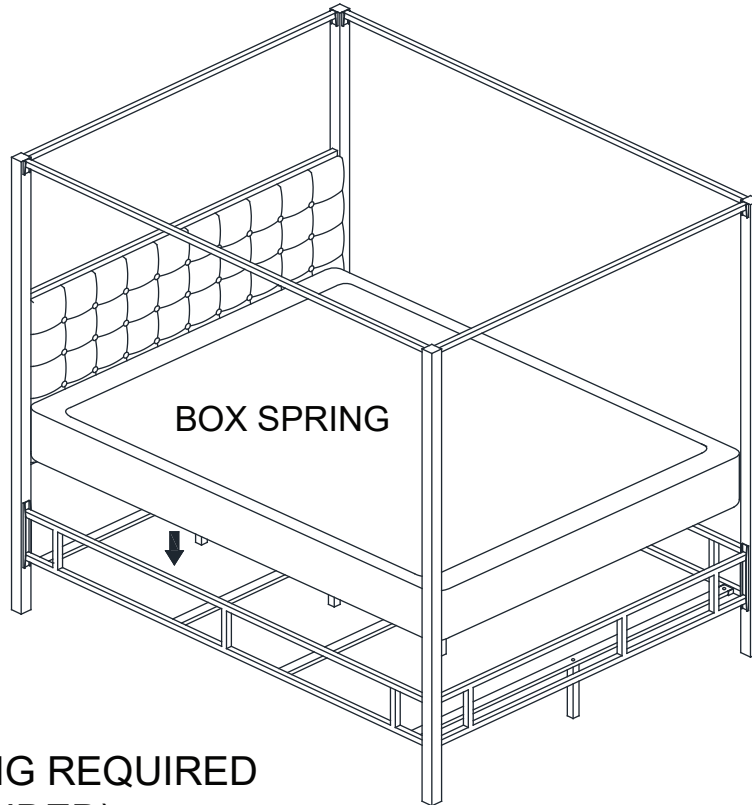


## STEP 8



# 80107 QUEEN BED ASSEMBLY INSTRUCTION

## STEP 9



**BOX SPRING REQUIRED  
(NOT INCLUDED)**

## STEP 10



**MATTRESS NOT INCLUDED**

**ASSEMBLY COMPLETED**