

ASSEMBLY INSTRUCTIONS

MODEL #

**HFW-1477C1 / HFW-1477C2
HFW-1477C4 / HFW-1477C35**

Questions?

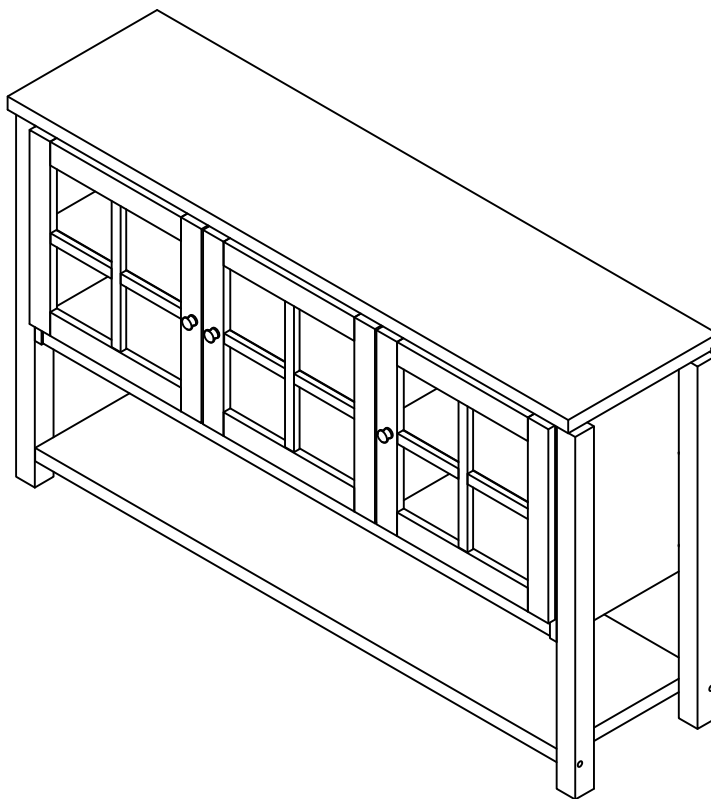
GIVE US A CALL: 1-888-980-5122
MON – FRI 8:30AM – 5:30PM (PST)

TOOLS REQUIRED



**Philips
Screwdriver**

(Not Included)



**2 - People
Recommended**

ASSEMBLY RATING



EASY → DIFFICULT


The Assembly Rating is a 5-point system showing the level of effort needed to assemble a specific product.




Thank you for your purchase!

We hope you enjoy this new addition to your home for many years to come.

Our commitment to providing quality products does not simply end when you purchase our product. We fully stand behind our products from start to finish. Our customer service department is available Monday – Friday 8:30 AM – 5:30 PM Pacific and can help with assembly questions as well as, if necessary, replacing damaged or missing parts. To help expedite our service, please have these assembly instructions readily available, along with your order receipt.


 **Consumer Hotline**
Toll-Free 1-888-980-5122

 **Monday to Friday**
8:30AM- 5:30PM (PST)

 **WEBSITE**
www.foagroup.com

 **E-MAIL**
cs.ec@foagroup.com

    foagroup

 FurnitureOfAmerica

CHECK BEFORE STARTING

Are you missing anything?

Double-check all parts, hardware and accessories listed on Page 6 are accounted for.

Check out our Quick Tips!

We recommend reviewing the pre-assembly handouts. Even experts need a refresher now and then!

Should we send any replacements?

Are there any irregularities or flaws in the parts? We can send replacements!

Prep Time!

Please review the assembly instructions and all diagrams prior to assembling. Arrange parts as recommended on Page 7 and group identical hardware together to make assembling easier.

PRE ASSEMBLY INTRODUCTION

We understand building ready-to-assemble furniture can be a challenging experience for some. To help avoid confusion, we have provided some helpful tips that may speed up the process.



Teamwork

ALWAYS have at least two people to help with transporting and assembling the product to avoid potential injury and/or damage.



Suitable Location

Assembling near the area of the intended location is highly recommended.



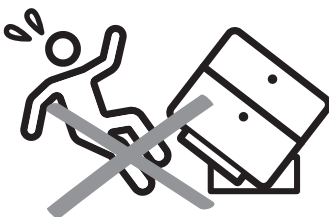
Sufficient Space

Make sure you have enough space to move around during the assembly.



Avoid Scratches

Use cardboard, blankets or a carpeted area while assembling furniture to prevent scratches.



Flat Surface

Make sure the furniture rests on a flat and level surface with each leg evenly touching the floor.

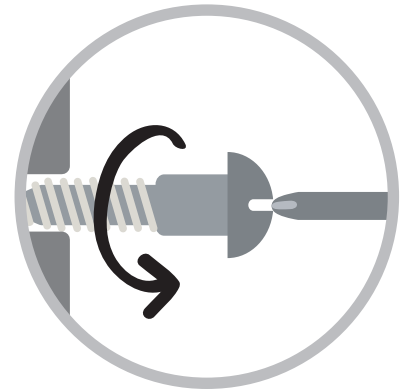
ASSEMBLY AND CARE ADVICE



FAILURE TO FOLLOW THE GUIDELINES BELOW MAY RESULT IN INJURY AND/OR PROPERTY DAMAGE.



Position each part correctly and insert screws or bolts into their respective holes.



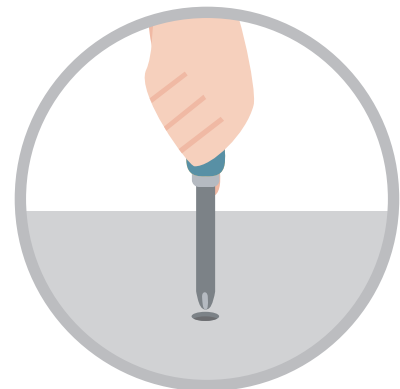
Turn clockwise to tighten and only tighten when step is completed or when instructed to do so.



Use the appropriate hand tools or power tools for assembly. Select steps, such as tightening screws and/or bolts, may require hand tools to avoid causing damage during assembly.



Save the instructions and store any supplied tools for later maintenance.



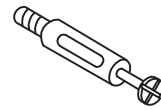
After two weeks, check and tighten any loose hardware and repeat again every six months thereafter.

IT IS THE USER'S RESPONSIBILITY TO MAINTAIN THE FURNITURE. THE HARDWARE MAY LOOSEN OVER TIME AND MAY CAUSE THE FURNITURE TO BE WOBBLY AND UNABLE TO SUPPORT ITS INTENDED WEIGHT CAPACITY. THIS MAY LEAD TO COLLAPSE AND MAY CAUSE SERIOUS INJURY.

CAM LOCK FASTENER ASSEMBLY INSTRUCTIONS

Note :

Every cam lock bolt must have a cam lock connector in order to fasten the parts together.



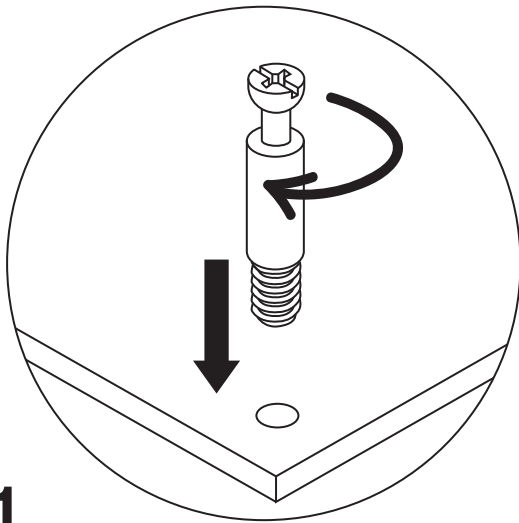
cam bolt



cam lock

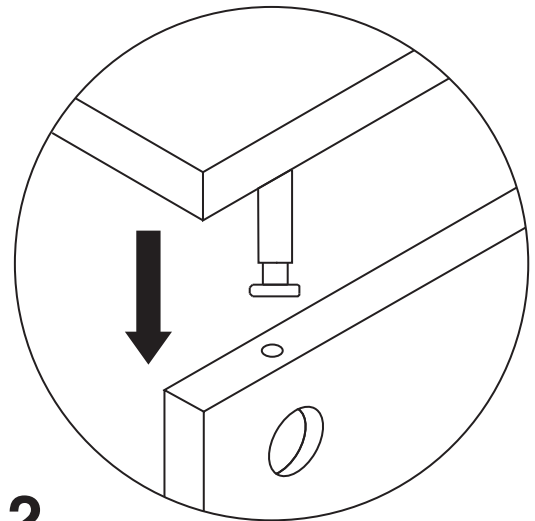


screwdriver



1

Screw the cam bolt into panel.



2

Insert the cam bolt into the bolt hole of joint panel.



3

Align the cam lock with its side opening (or arrow) pointing to cam bolt.



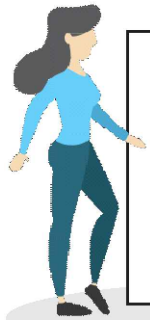
4

Turn the cam lock clockwise gently until it will not turn any more.

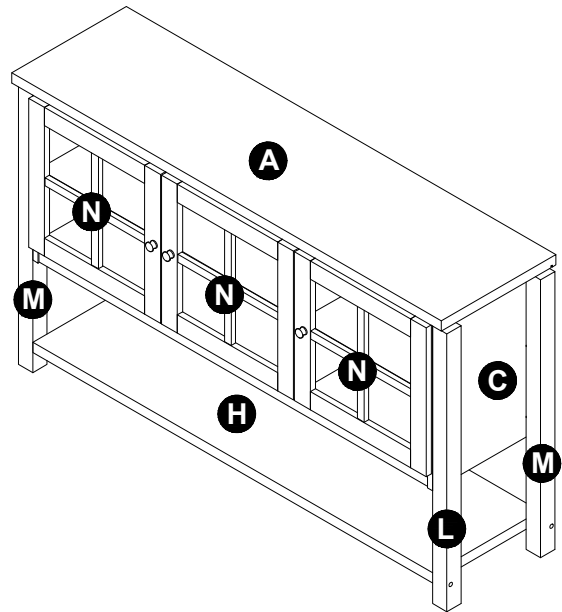
BUFFET

HFW-1477C1 / HFW-1477C2

HFW-1477C4 / HFW-1477C35



- Please keep instructions for future reference.
- Check the quantity and irregularity of parts and hardware before you start.

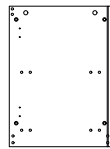


PARTS

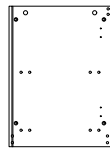
A 1PC



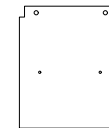
B 1PC



C 1PC



D 1PC



E 1PC



F 1PC



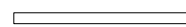
G 1PC



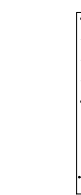
H 1PC



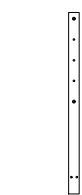
I 1PC



L 2PCS



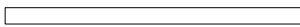
M 2PCS



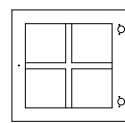
J 2PCS



K 1PC



N 3PCS

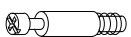


O 1PC



HARDWARE

① 8PCS



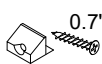
② 8PCS



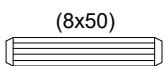
③ 6SETS



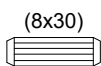
④ 8SETS



⑤ 6PCS



⑥ 51PCS



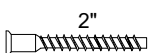
⑦ 8PCS



⑧ 4PCS

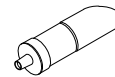


⑨ 10PCS



ACCESSORIES

A1 2PCS



A2 1PC



A3 3SETS



A4 18PCS



A5 6PCS



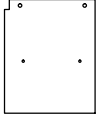
A6 2SETS



GET READY

P□□□□ □r□□□□ □□□rd□□□□ □□□□□.

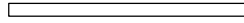
D 1PC



G 1PC



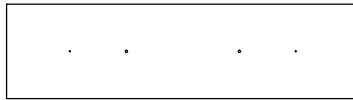
J 2PCS



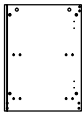
K 1PC



H 1PC



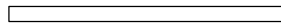
C 1PC



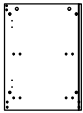
F 1PC



I 1PC



B 1PC



E 1PC



L 2PCS



M 2PCS



A 1PC

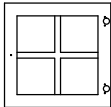


O 1PC



Body/Foot

N 3PCS

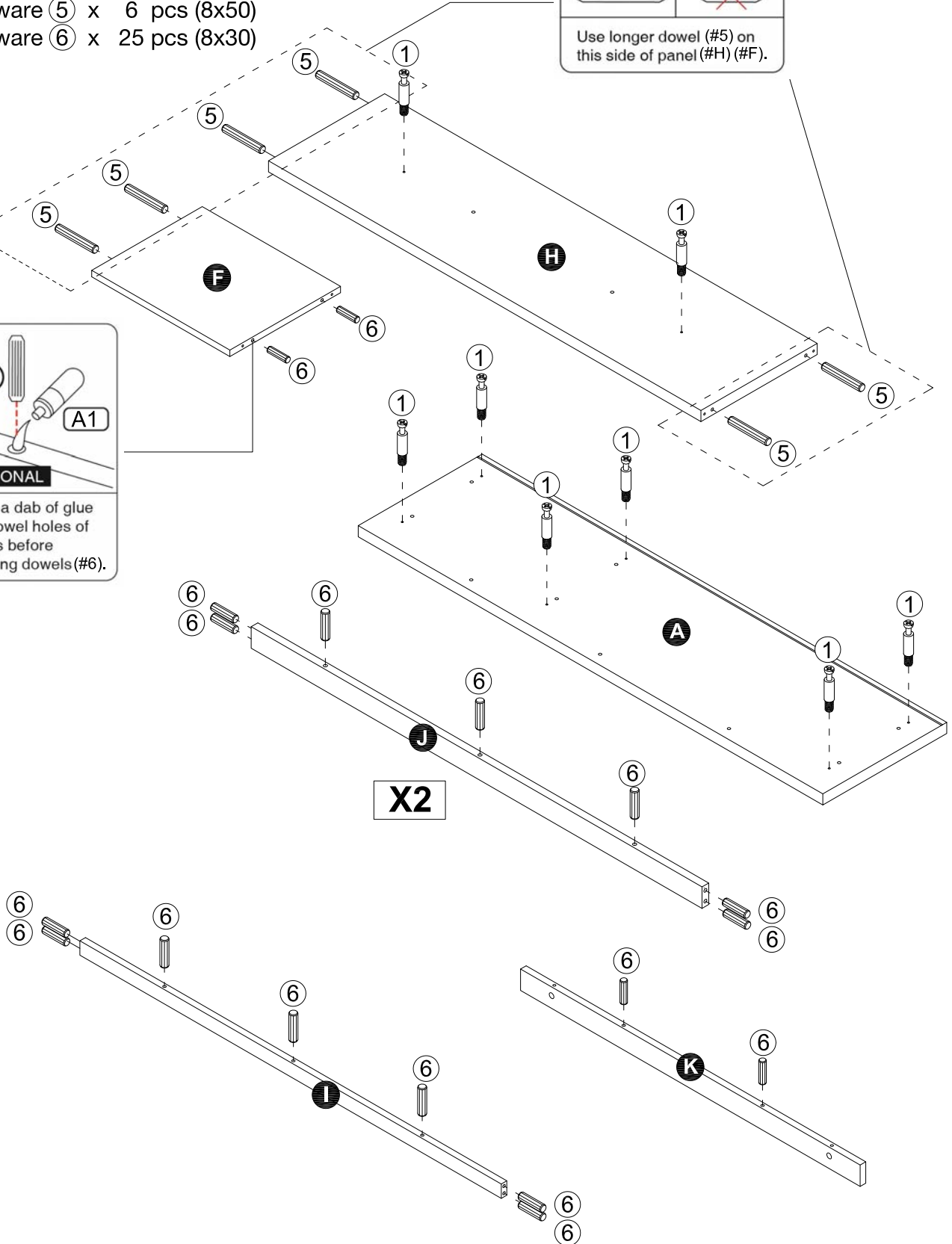
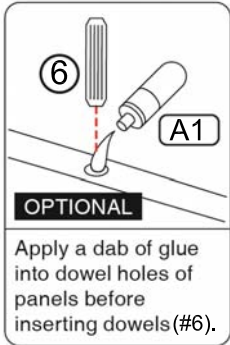
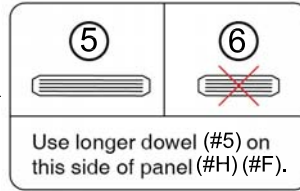


Door

ASSEMBLY INSTRUCTIONS

1

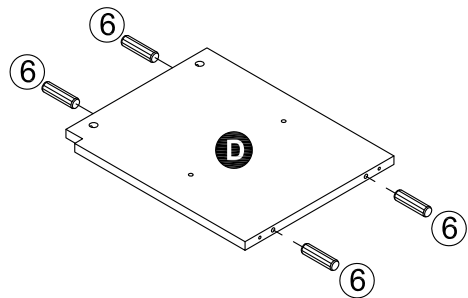
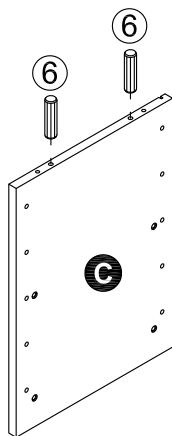
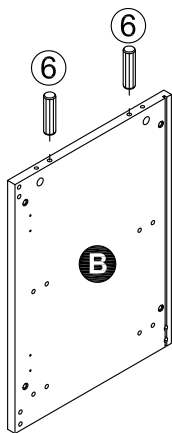
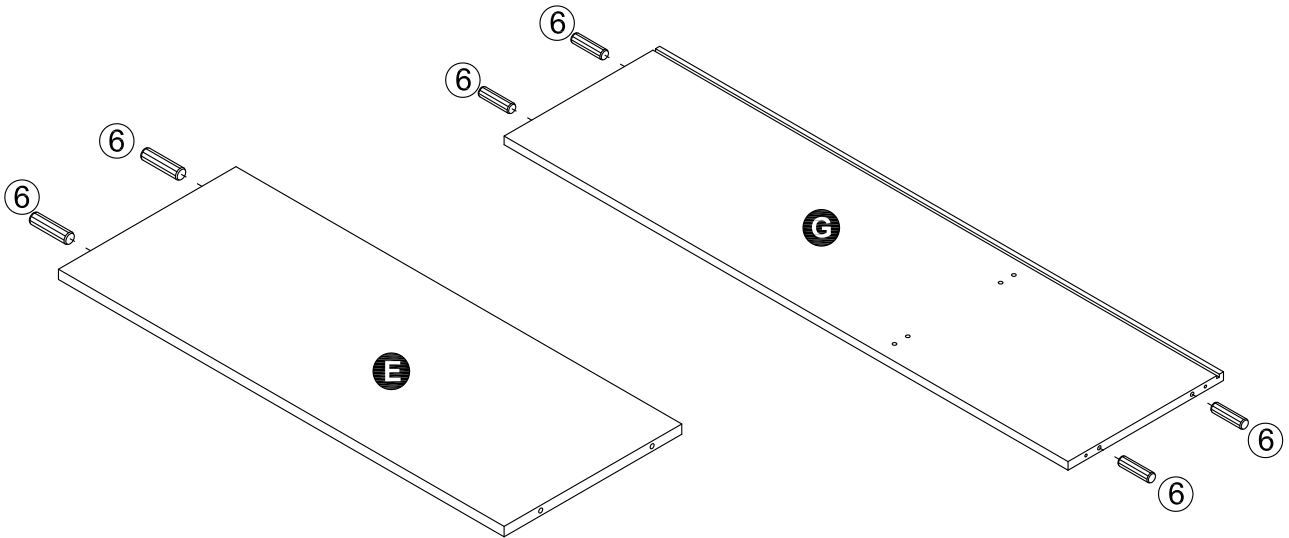
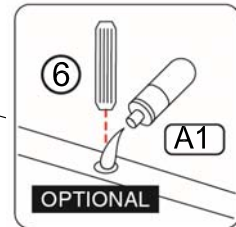
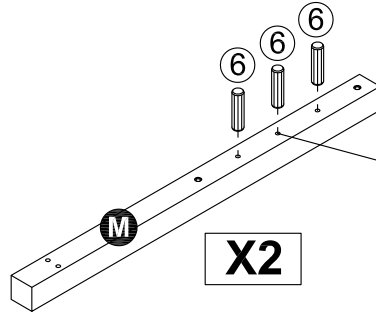
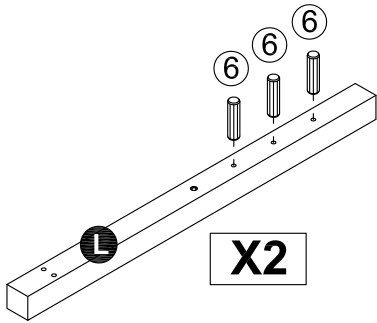
- Hardware ① x 8 pcs
- Hardware ⑤ x 6 pcs (8x50)
- Hardware ⑥ x 25 pcs (8x30)



ASSEMBLY INSTRUCTIONS

2

Hardware ⑥ x 26 pcs (8x30)



ASSEMBLY INSTRUCTIONS

3

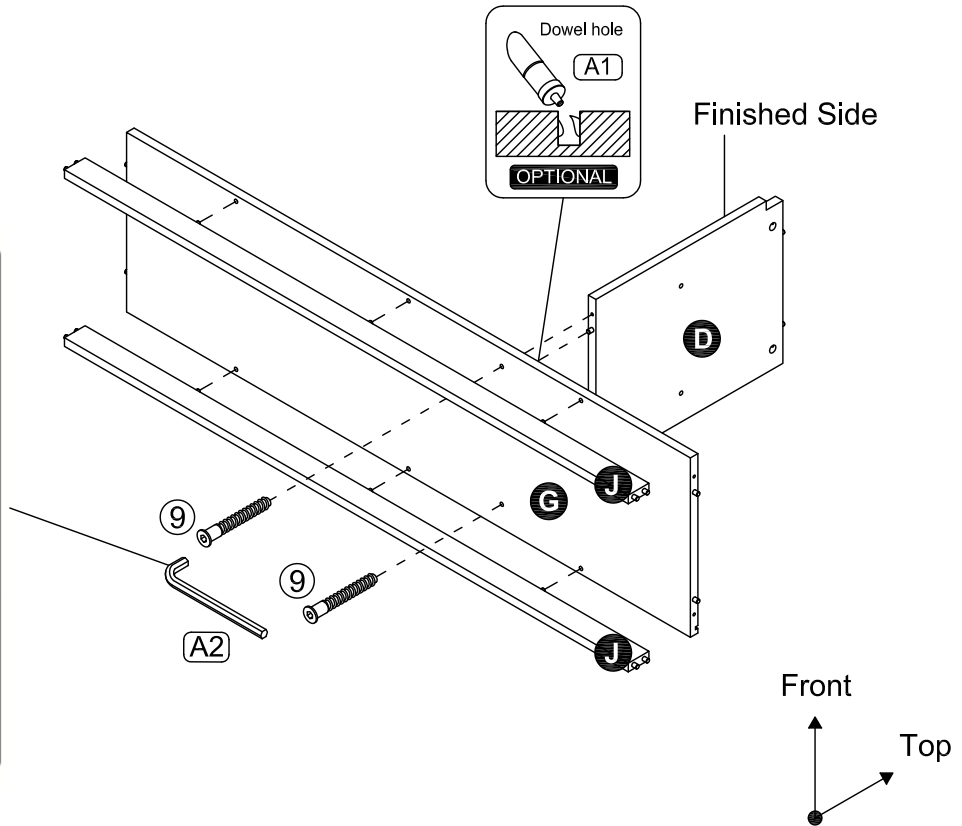
- Part **D** x 1 pc
- Part **G** x 1 pc
- Part **J** x 2 pcs
- Hardware **9** x 2 pcs
- Accessory **A2** x 1 pc

or

A2

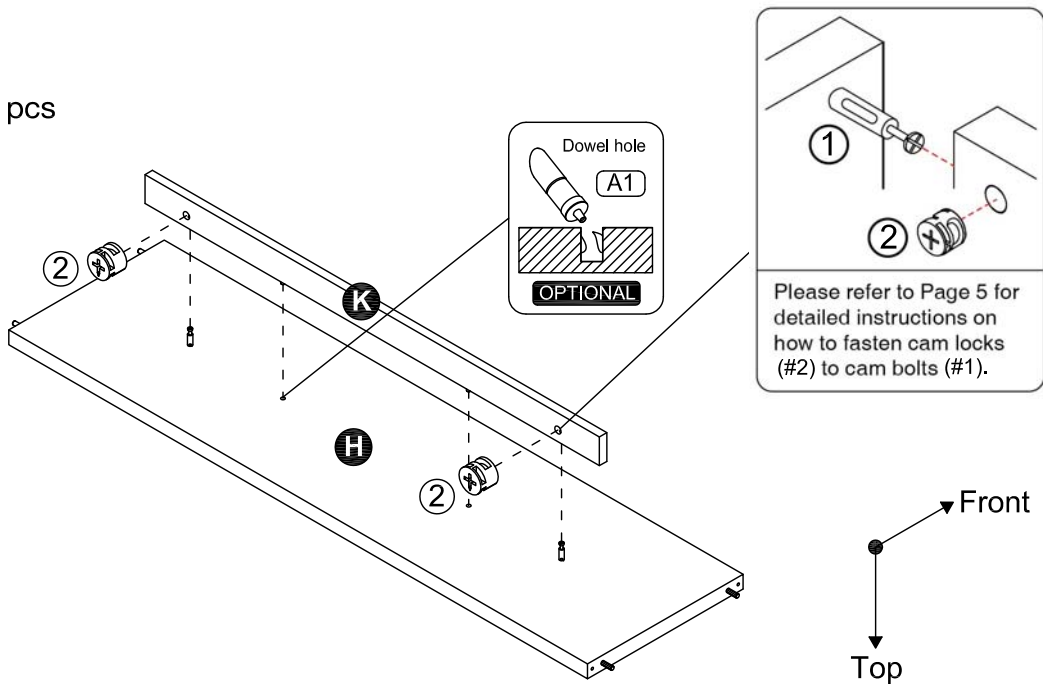
RECOMMEND

Recommend using a power tool to only tighten hardware (#9) faster. Accessory (#A2) could also work for hardware (#9) if a power tool is not present.



4

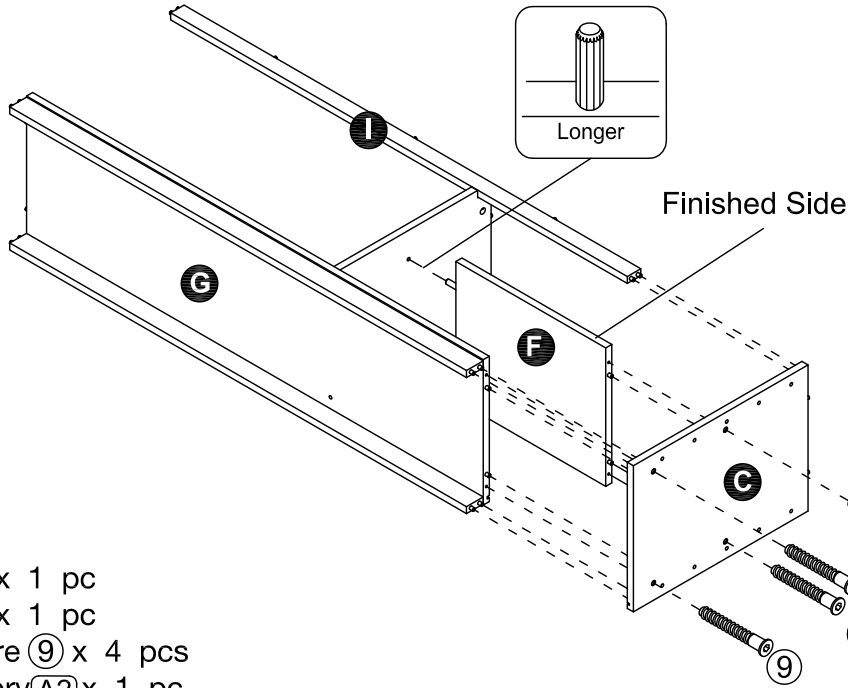
- Part **K** x 1 pc
- Part **H** x 1 pc
- Hardware **2** x 2 pcs



ASSEMBLY INSTRUCTIONS

5

- Part **G** x 1 pcs
- Part **F** x 1 pcs
- Part **I** x 1 pcs
- Hardware **9** x 4 pcs
- Accessory **A2** x 1 pc



or

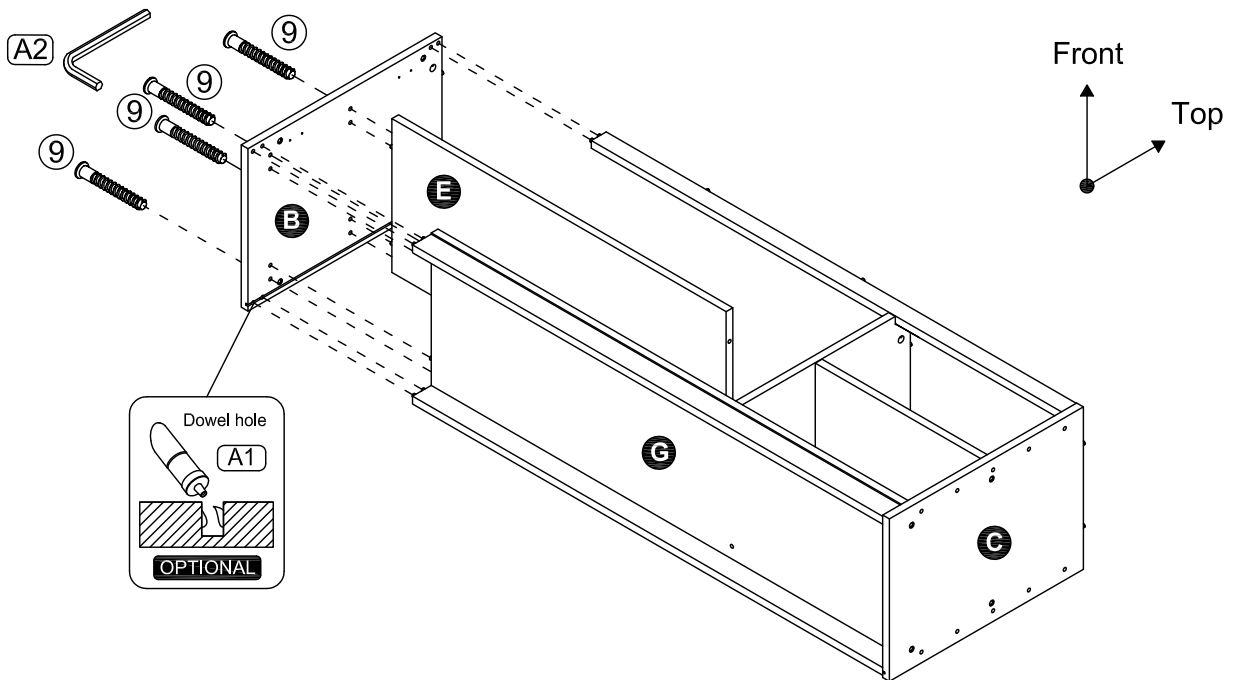
A2

RECOMMEND

Recommend using a power tool to only tighten hardware (#9) faster. Accessory (#A2) could also work for hardware (#9) if a power tool is not present.

6

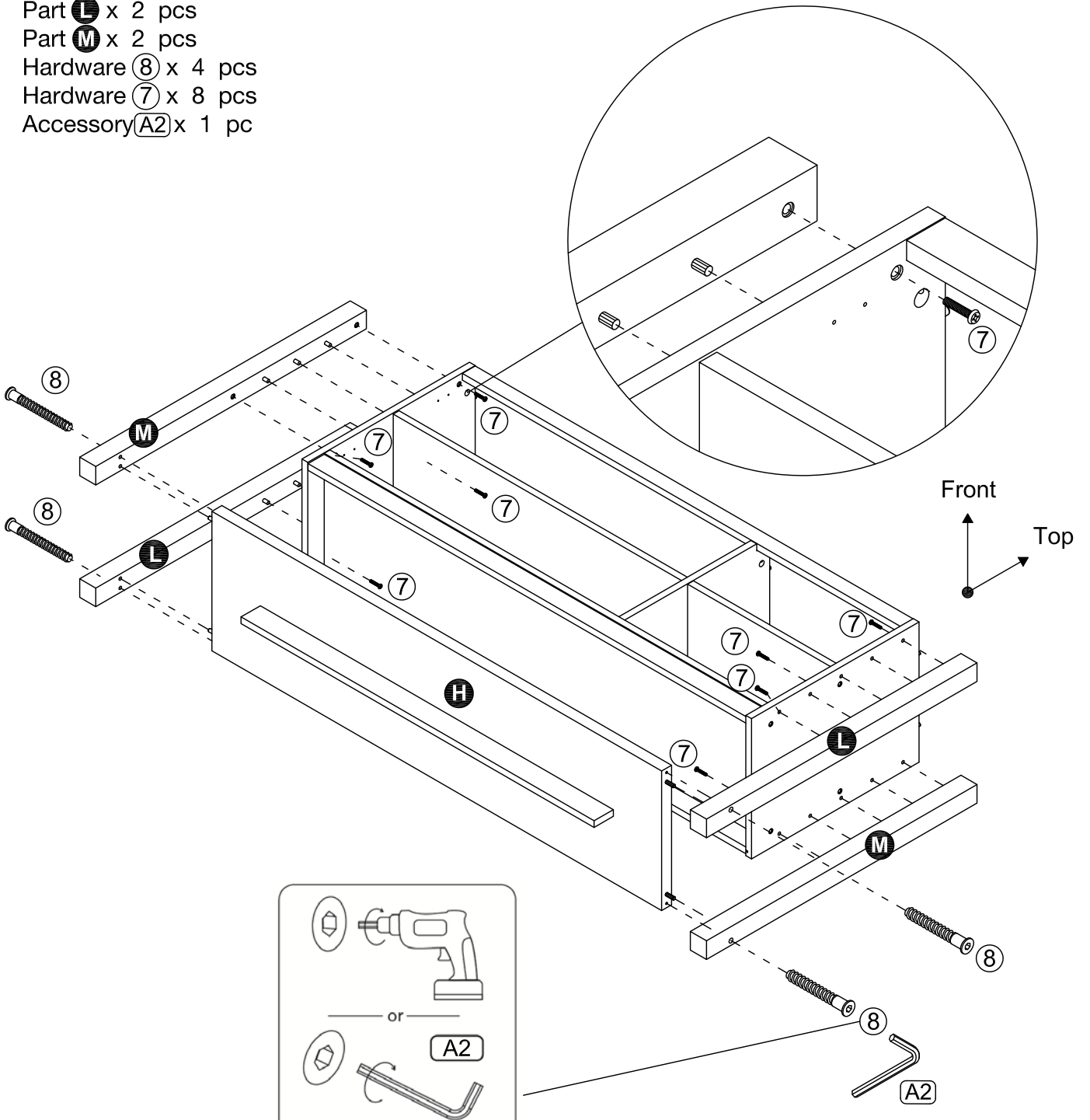
- Part **B** x 1 pc
- Part **E** x 1 pc
- Hardware **9** x 4 pcs
- Accessory **A2** x 1 pc



ASSEMBLY INSTRUCTIONS

7

- Part **L** x 2 pcs
- Part **M** x 2 pcs
- Hardware **8** x 4 pcs
- Hardware **7** x 8 pcs
- Accessory **A2** x 1 pc



 or  **A2**

RECOMMEND

Recommend using a power tool to only tighten hardware (#8) faster. Accessory (#A2) could also work for hardware (#8) if a power tool is not present.

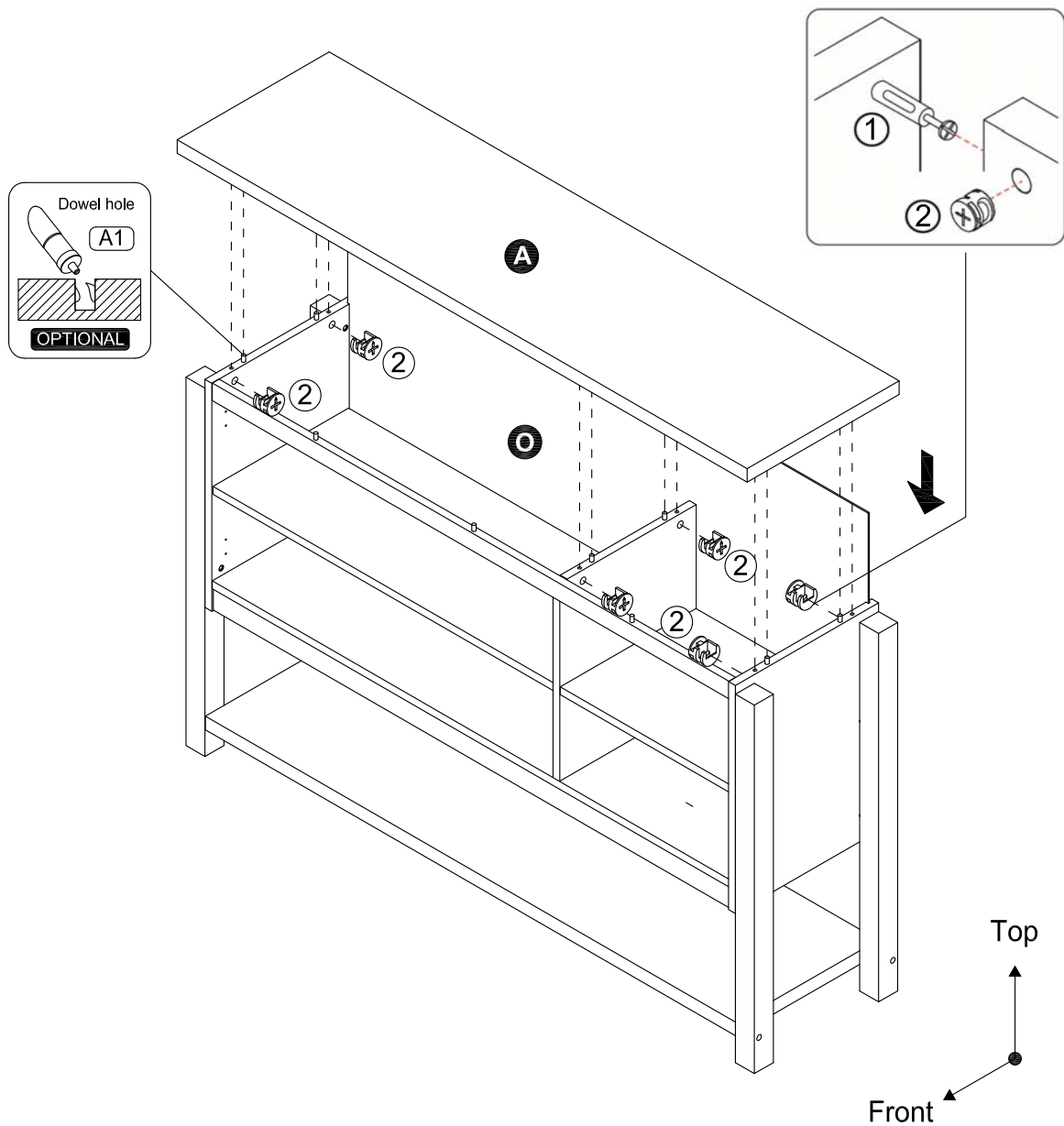
ASSEMBLY INSTRUCTIONS

8

Part **A** x 1 pc

Part **B** x 1 pc

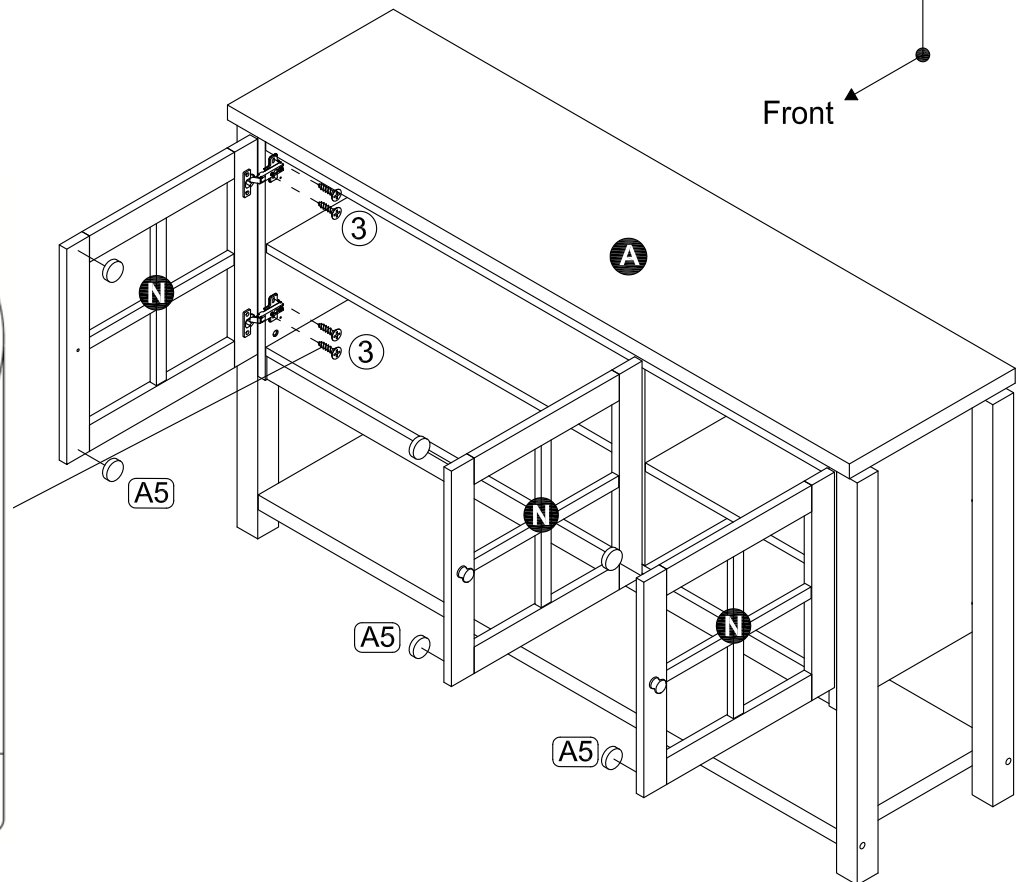
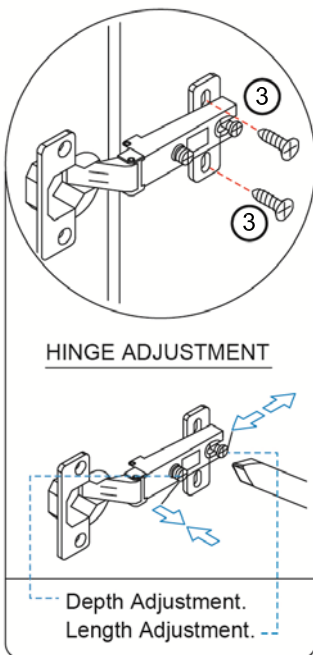
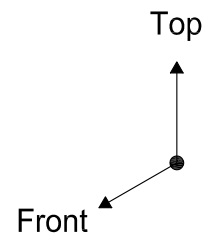
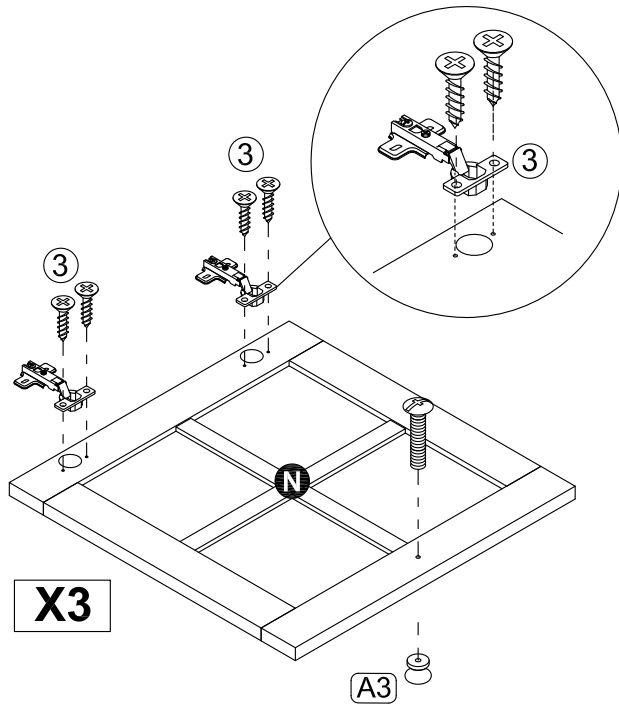
Hardware **2** x 6 pcs



ASSEMBLY INSTRUCTIONS

9

- Part **N** x 3 pcs
- Hardware **3** x 6 sets
- Accessory **A3** x 3 sets
- Accessory **A5** x 6 pcs



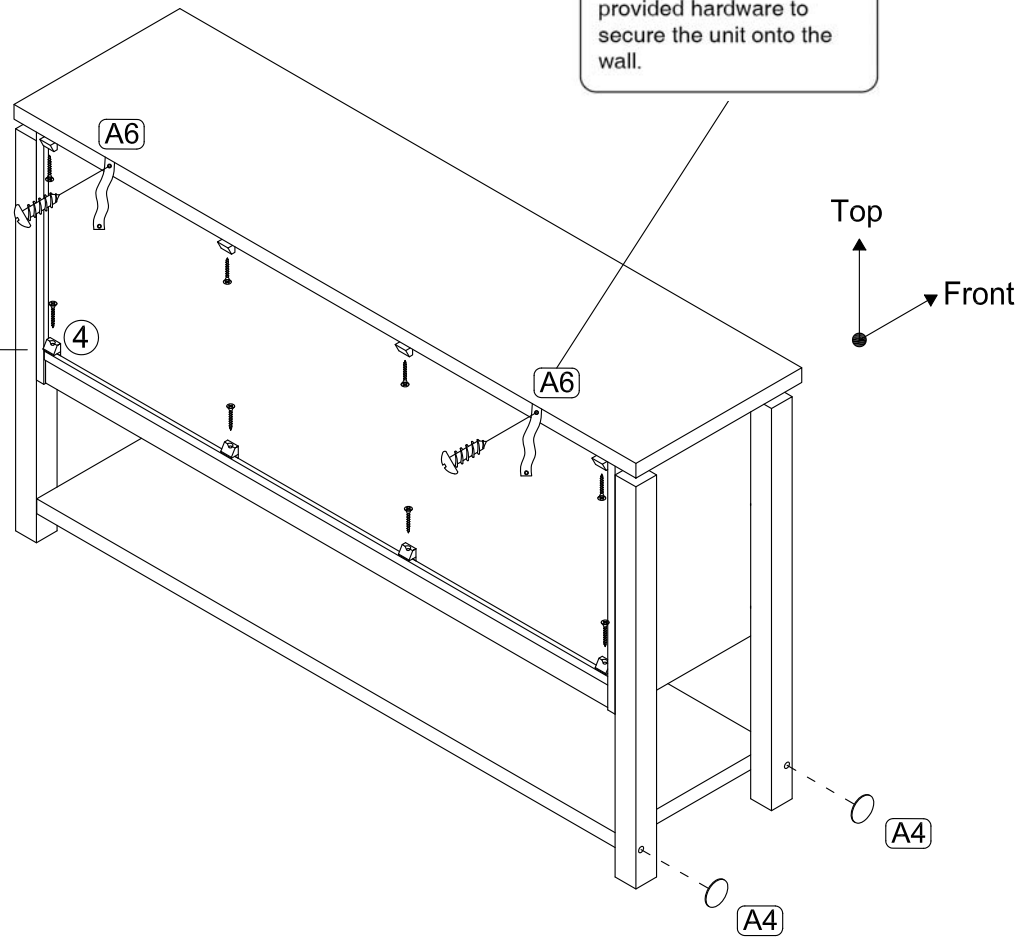
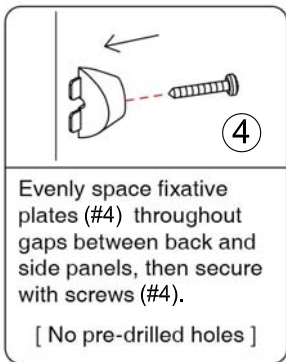
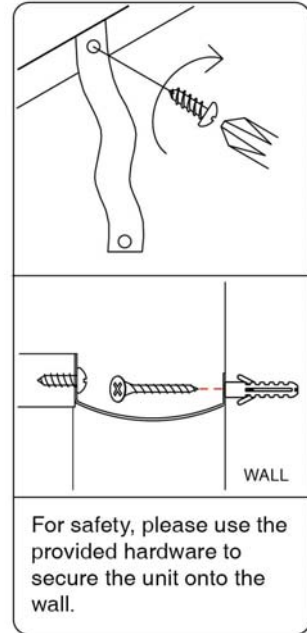
ASSEMBLY INSTRUCTIONS

10

Hardware ④ x 8 sets

Accessory A4 x 18 pcs

Accessory A6 x 2 sets



ASSEMBLY INSTRUCTIONS

11

ASSEMBLY COMPLETED



Please ensure the furniture rests on an even and flat surface. If the product wobbles or feels loose, double-check all bolts and/or screws are properly tightened and secured.



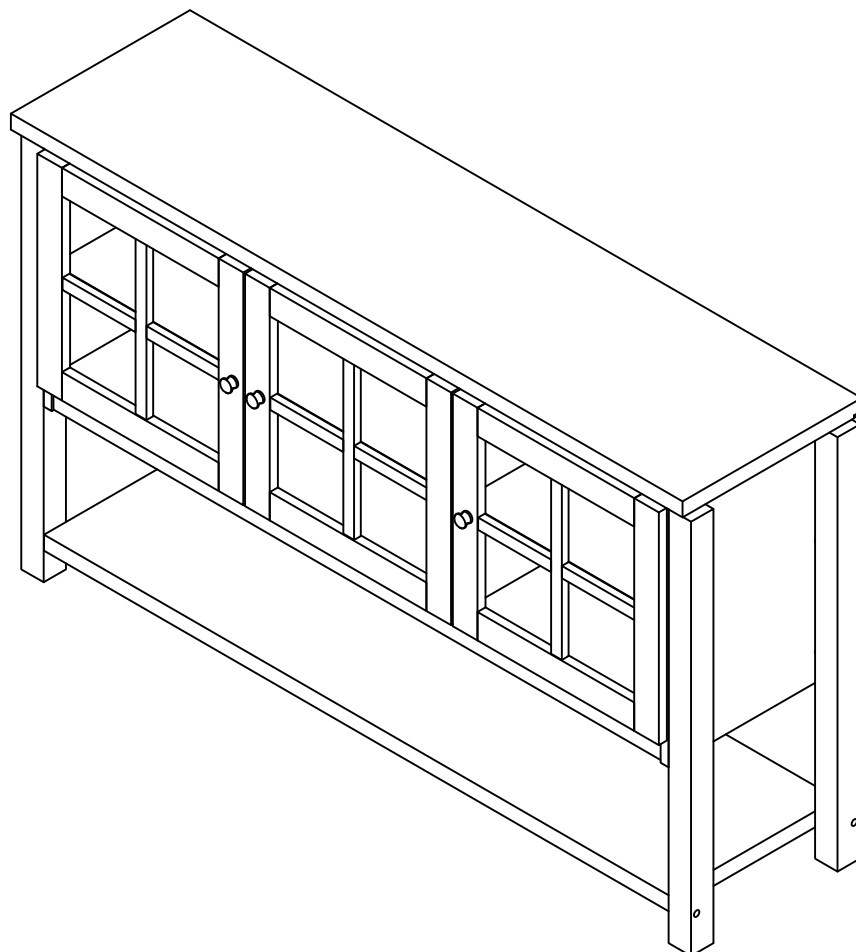
Keep this handy!

Please retain this instruction manual and any order-related information for future reference.



Lift, don't drag!

To avoid damage to product please always LIFT the product when transporting or adjusting the placement.



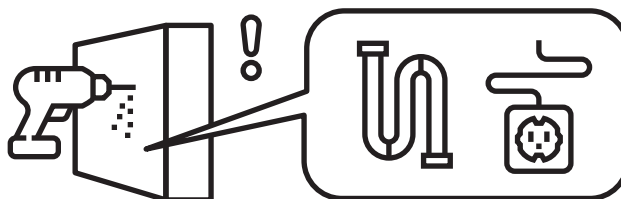
ASSEMBLY INSTRUCTIONS

Wall Mounting and Fixing



EXPANSION WALL ANCHOR

Our provided expansion wall anchors are only suitable for masonry walls, such as drywall, plaster or concrete, and are best for holding lightweight items or for anti-tip prevention. If you are unsure of the correct wall anchor to use with the product, please request professional guidance. Liability for product damage or failure due to using the incorrect anchors will fall on the installer.

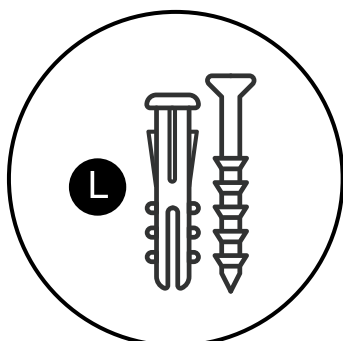


CHECK BEFORE PROCEEDING

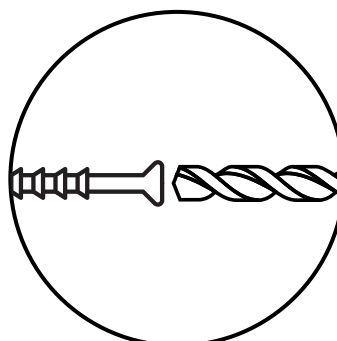
Prior to drilling or hammering, please check for wires or pipes. We recommend using a stud finder to locate a stud, which will offer more appropriate resistance and hold more weight.

QUICK TIPS

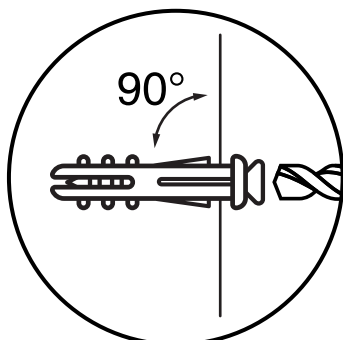
1. If unsure of the proper size, always choose a larger screw and wall anchor.



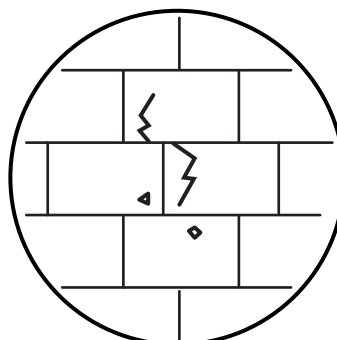
2. Match the drill bit to the wall anchor and hole size.



3. Only drill horizontally. Do not force the drill or enlarge the hole for the wall anchor.



4. Take extra care when drilling into high walls or ceramic tiles. Wall anchors should be a tight fit for the hole. Never use wall anchors in ceilings.



MAINTENANCE



We recommend a yearly check to see if the wall anchor or screw has loosened. If so, please remove the existing wall anchor and screw, and use a new anchor.