



1 BOWL STAINLESS STEEL SINK

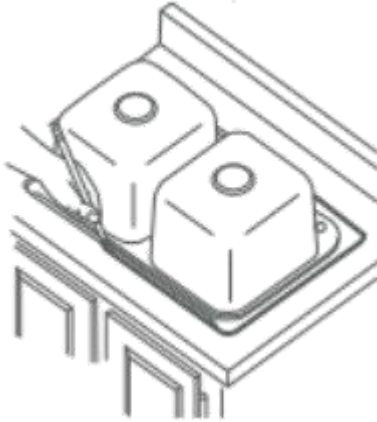
SAFETY WARNINGS

- Metal edges may be sharp - use caution when handling.
- For experienced and professional installation only.
- Follow all local standards and codes.
- For solid surface countertop installations only.
- A custom sink base cabinet is required.

INSTALLATION

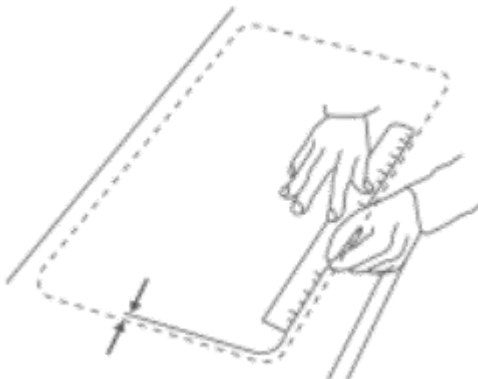
Step 1

Outline the sink on the countertop by placing the sink upside down.



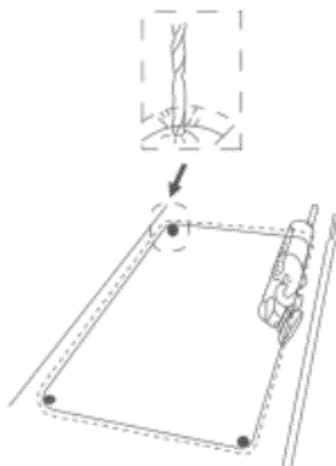
Step 2

Draw the inside cutting line.



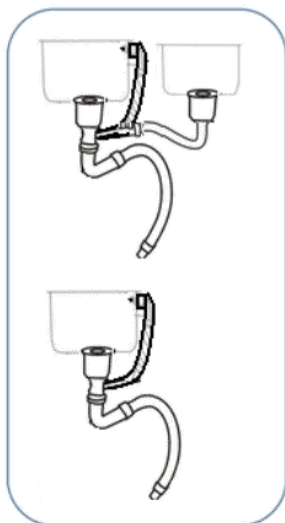
Step 3

Cut the opening along the lines.



Step 4

Install the drainer.



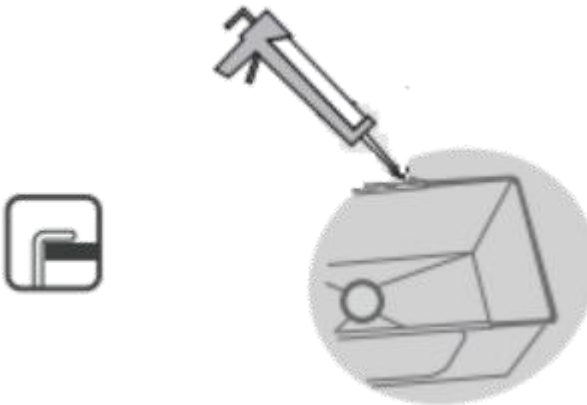
Step 5

Top mount: Silicone sealant on bottom of sink edge.



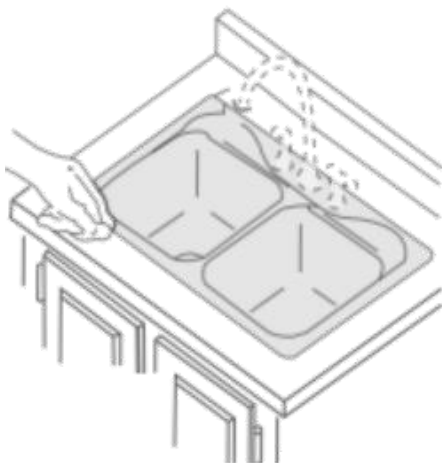
Step 6

Under mount: Silicone sealant on upside of sink edge.



Step 7

Finish and clean.



MAINTENANCE

- Rinse thoroughly after each use. Thorough rinsing can be done by running water for a few minutes and rubbing the cleaned area with a clean sponge.
- Towel dry after each use to prevent mineral deposits from building up on the surface of the sink.
- Allow soap or other household cleansers to dry on the surface of the sink. Most brands contain chemical additives that will affect the original finish.
- Do not use solutions of chlorine bleach and water in the sink. Chlorides, which are found in most soaps, detergents, bleaches, and cleansers, are very aggressive to stainless steel. If left on the sink too long they can cause surface pitting.