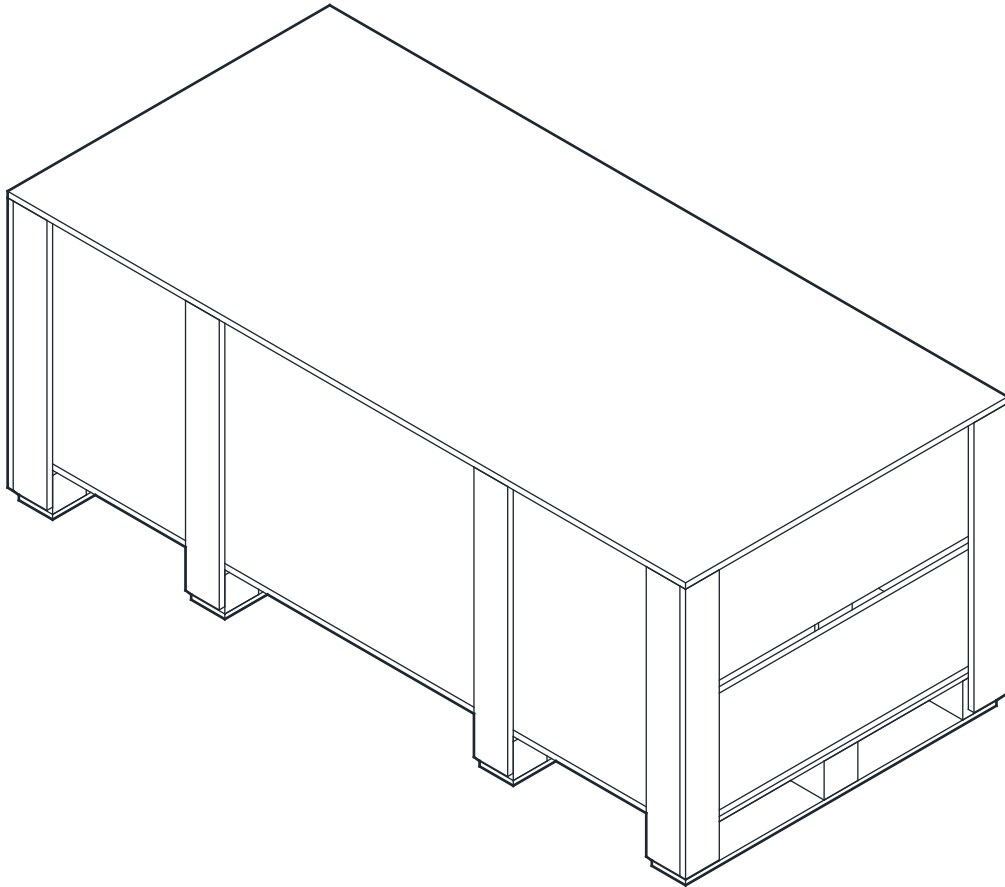
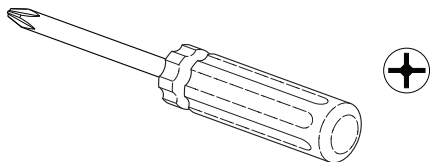


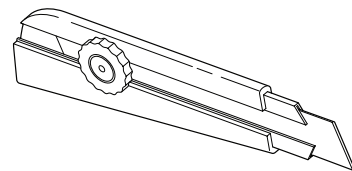
Steps for unboxing a bathtub



Tools ready:

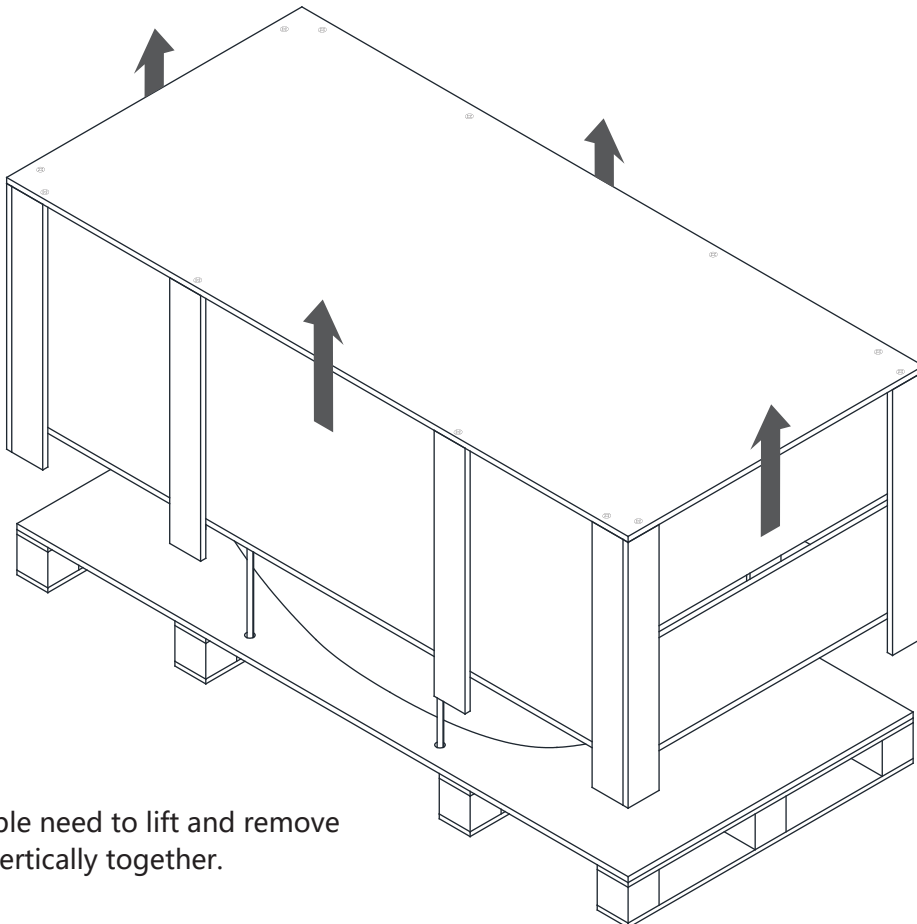
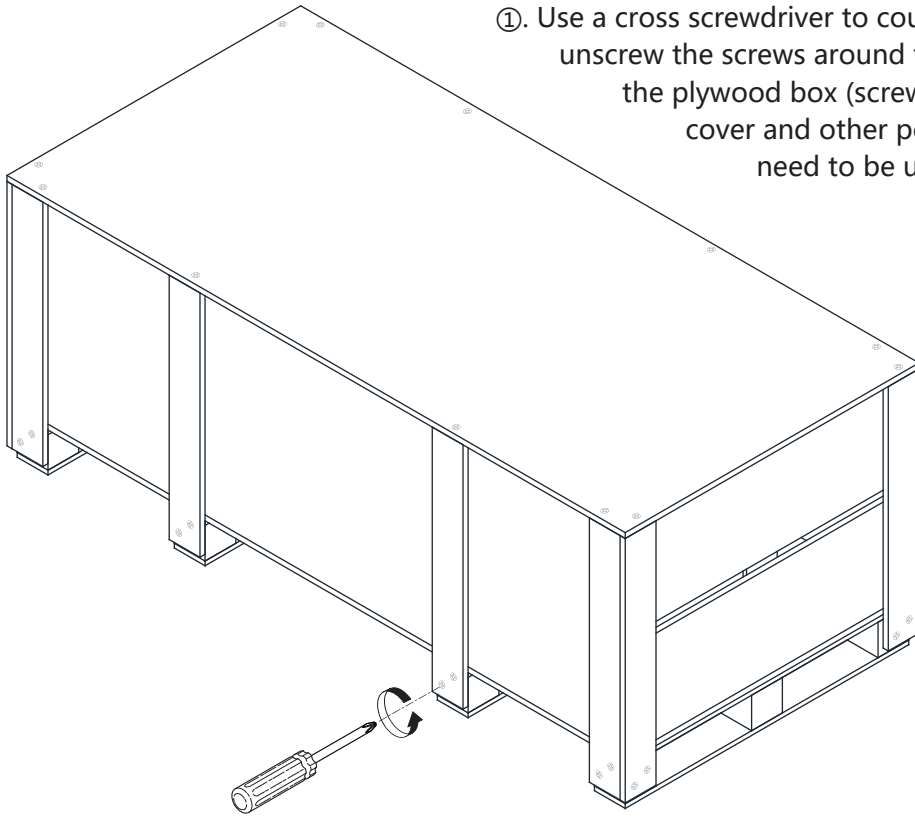


Screwdriver



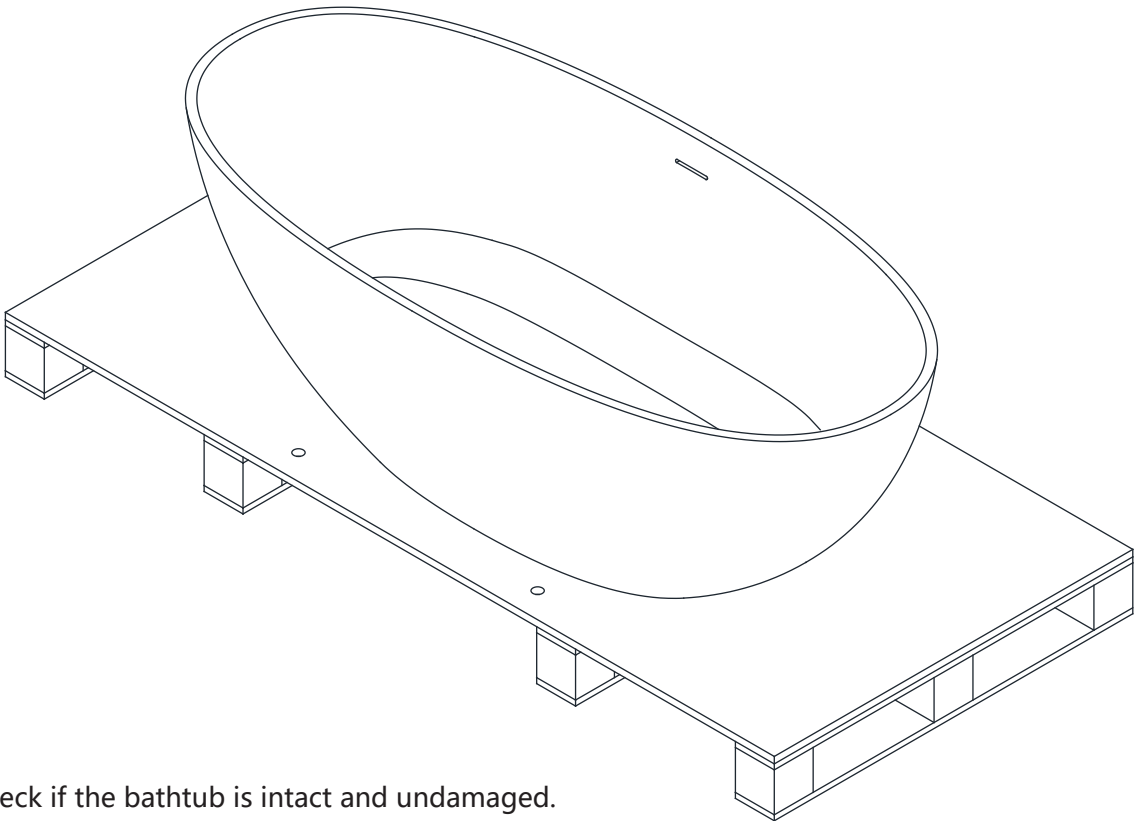
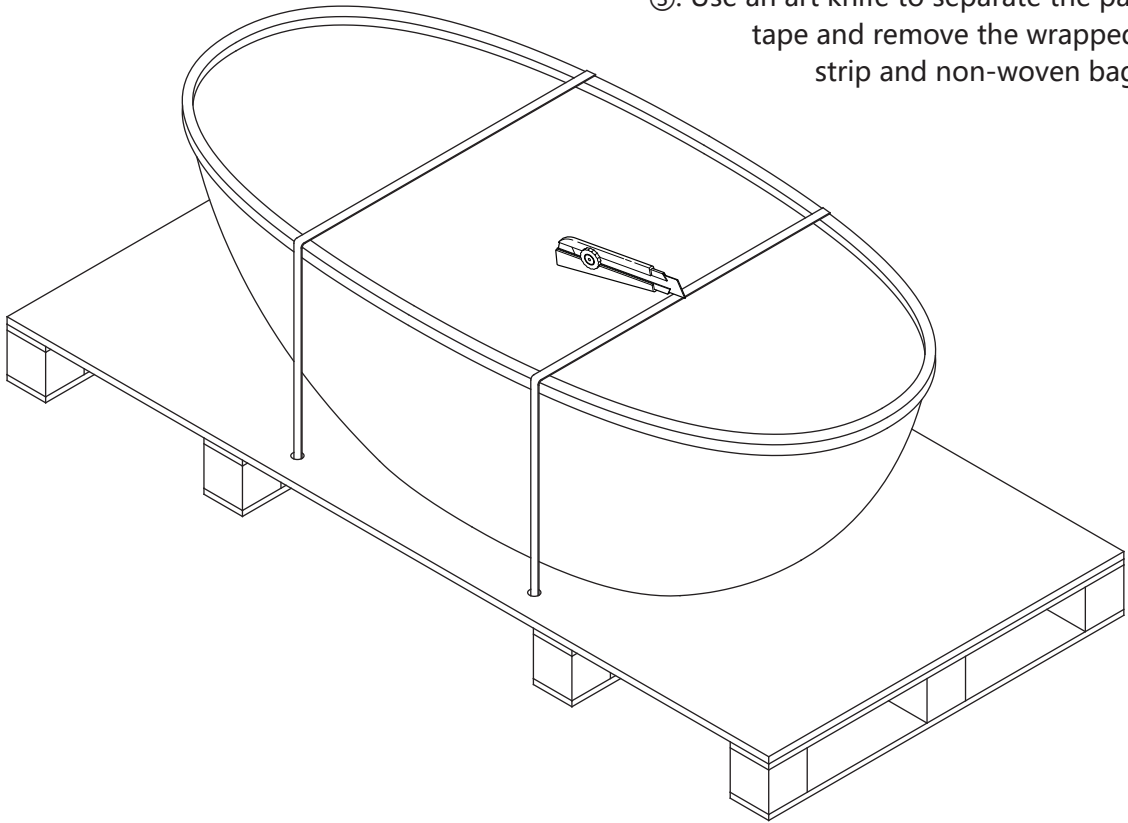
The knife

- ①. Use a cross screwdriver to counterclockwise unscrew the screws around the bottom of the plywood box (screws on the top cover and other positions do not need to be unscrewed).



- ②. Two people need to lift and remove the box vertically together.

- ③. Use an art knife to separate the packaging tape and remove the wrapped cotton strip and non-woven bag.



- ④. Check if the bathtub is intact and undamaged.