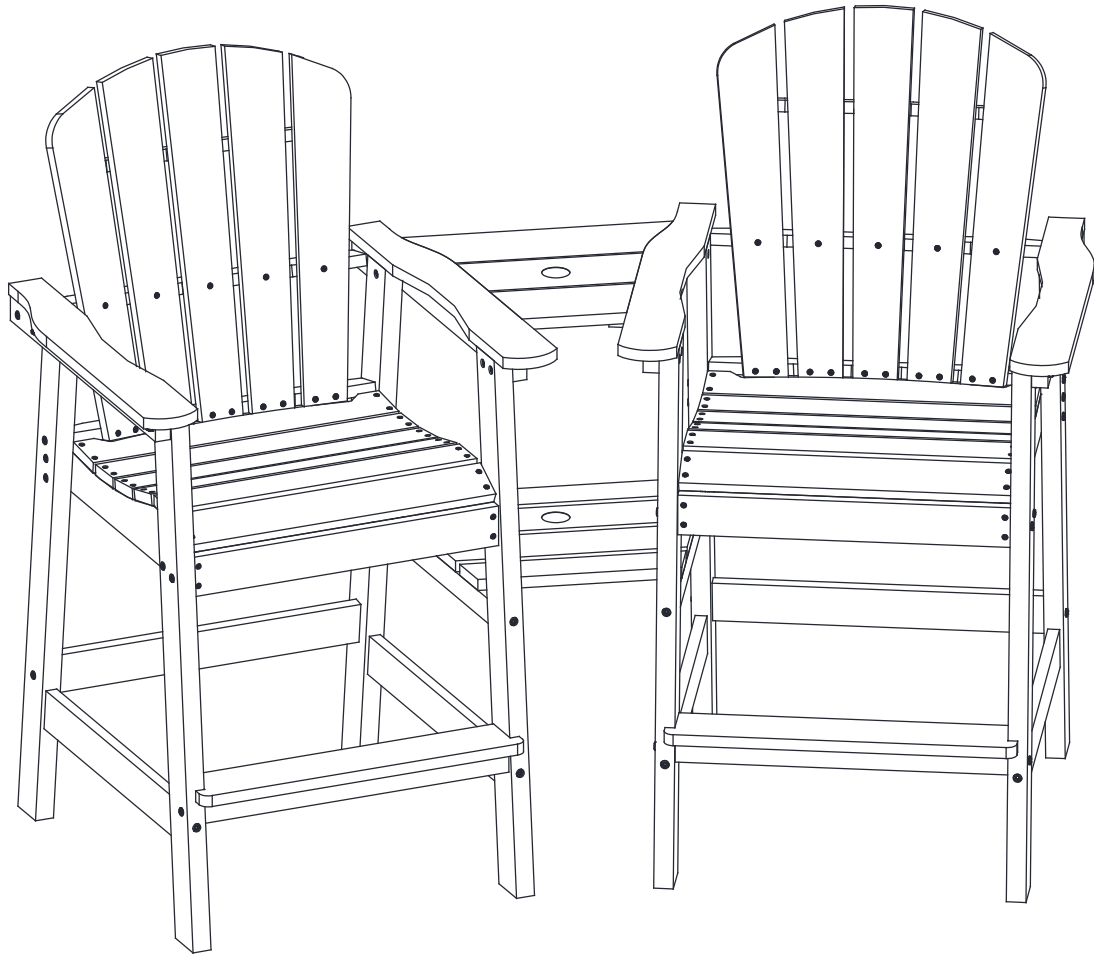


Bar Height Adirondack Chairs

Assembly Instructions



Important -Please read these instructions fully before starting assembly

HASSLE-FREE WARRANTY

We stand behind the quality of our products.



CHAIR 360 LBS
TABLE 33 LBS
CAPACITY



1 PERSON
ASSEMBLY

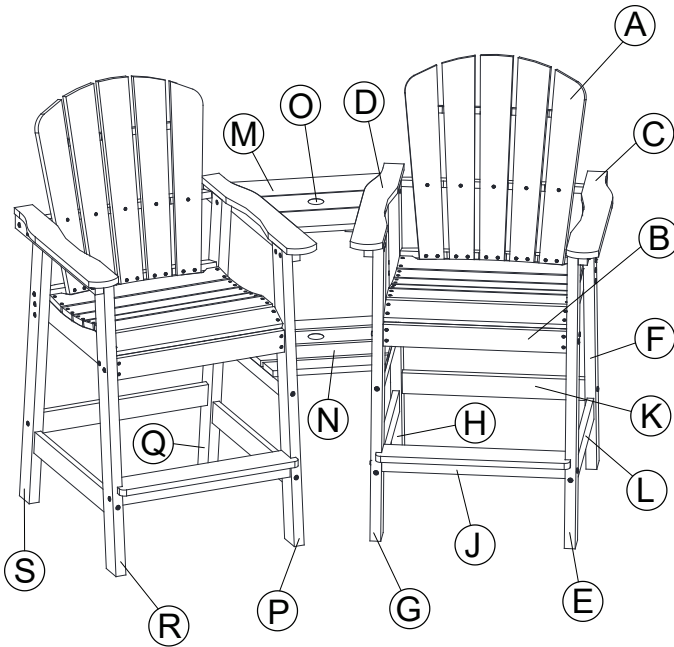


AROUND 25 MIN
ASSEMBLY

Components

Please check you have all the components listed below.

Note: The illustration of the product shows the exact position of each part. Check when assembling.



#		Description	Qty
A		Chair Back	2
B		Chair Seat Frame	2
C		Left Arms	2
D		Right Arms	2
E		Left Chair - Left Front Legs	1
F		Left Chair - Left Rear Legs	1
G		Left Chair - Right Front Legs	1
H		Left Chair - Right Rear Legs	1
J		Foot Pedal Components	2
K		Rear Legs Connecting Rod	2
L		Side Stretcher	4
M		Connecting Table 1	1
N		Connecting Table 2	1
O		Umbrella Hole Plug	2
P		Right Chair - Left Front Legs	1
Q		Right Chair - Left Rear Legs	1
R		Right Chair - Right Front Legs	1
S		Right Chair - Right Rear Legs	1

Hardware & Tools

Note: The quantities below are the correct amount to complete the assembly. in some cases more fittings may be supplied than required.

<p>① × 16</p> <p>M6×60MM Screws</p>	<p>② × 12</p> <p>M6×100MM Screws</p>	<p>③ × 24</p> <p>M6×60MM Bolts</p>	<p>④ × 4</p> <p>M6×70MM Bolts</p>	<p>⑤ × 4</p> <p>M6×30MM Bolts</p>
<p>⑥ × 28</p> <p>Washer</p>	<p>⑦ × 24</p> <p>Nut</p>	<p>⑧ × 1</p> <p>Wrench (Included)</p>	<p>⑨ × 1</p> <p>Hex key(Included)</p>	

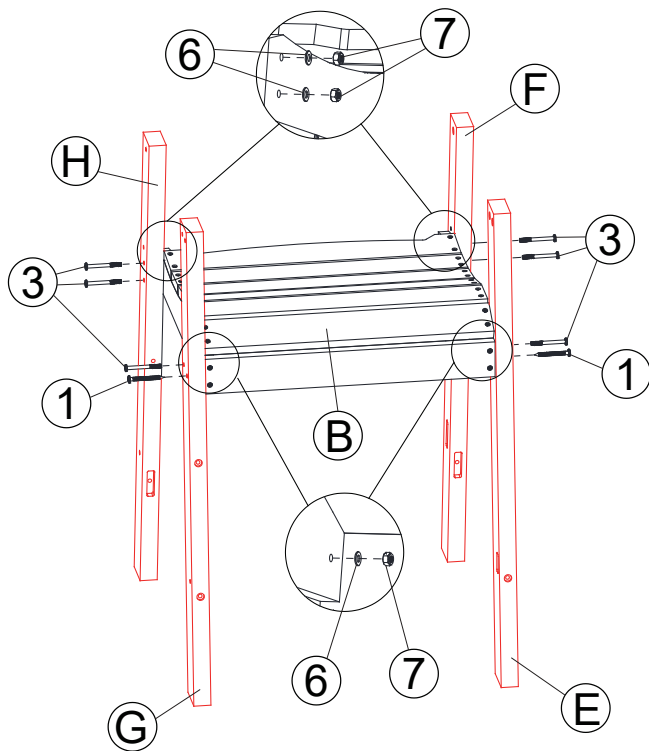
Assembly Instructions

⚠ Caution: Please do not over-tighten bolts and screws during assembly.

STEP 1

As shown in the figure, use ①③⑥⑦ to fix E/F/G/H and B.

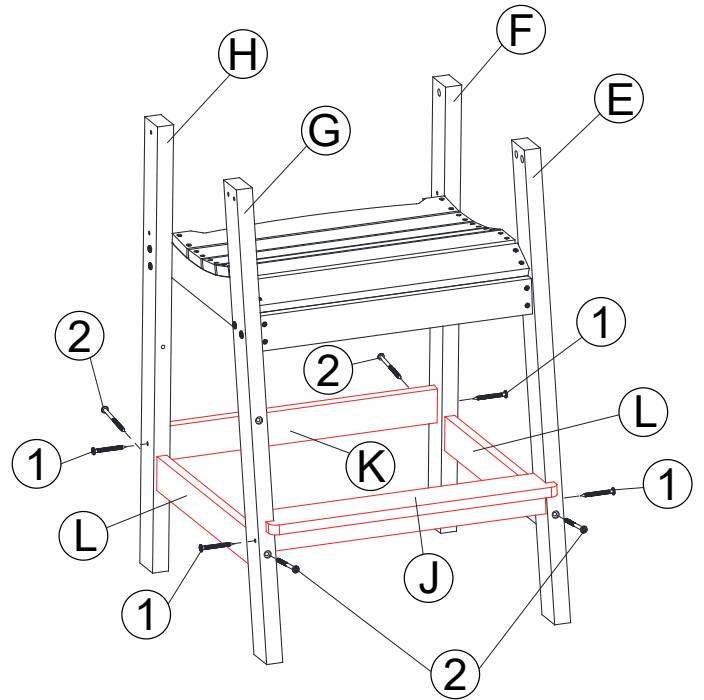
① × 2 ③ × 6 ⑥ × 6 ⑦ × 6



STEP 2

As shown in the figure, use ① to fix E/F/G/H and J/K, use ② to fix E/F/G/H and L.

① × 4 ② × 4



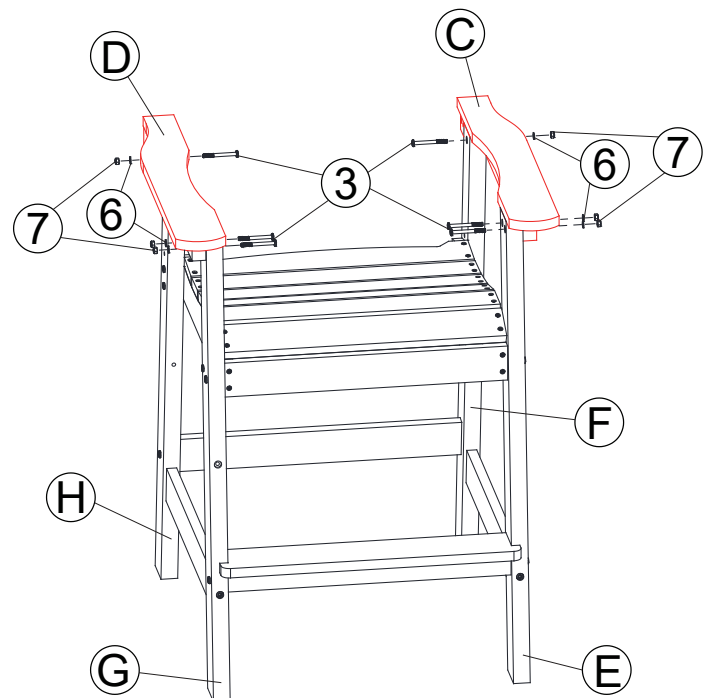
STEP 3

As shown in the figure, use ③⑥⑦ to fix C and E/F, use ③⑥⑦ to fix D and G/H.

③ × 6

⑥ × 6

⑦ × 6



Assembly Instructions

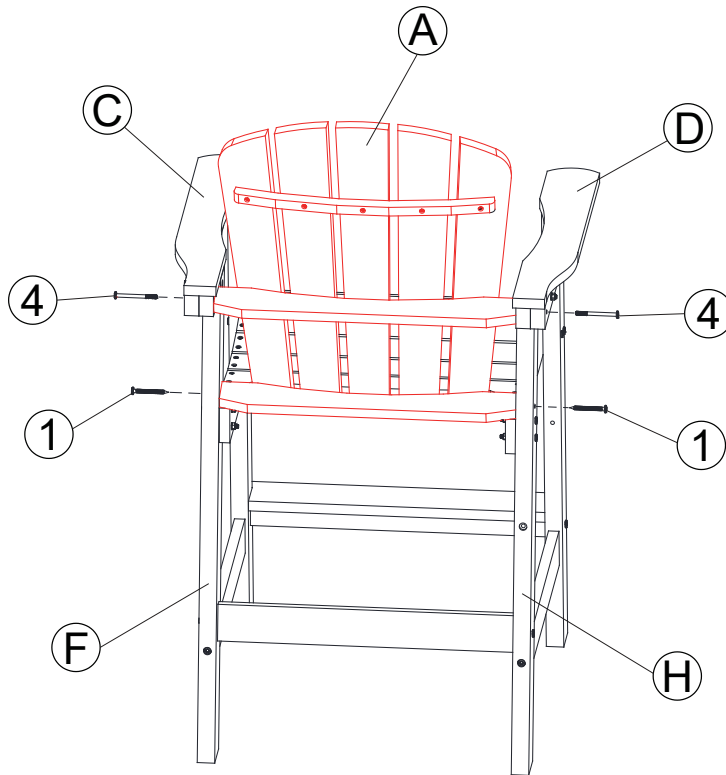
⚠ Caution: Please do not over-tighten bolts and screws during assembly.

STEP 4

As shown in the figure, use ①④ to fix A and C/F, use ①④ to fix A and D/H.

① ×2

④ ×2



As shown above, the left chair has been installed.
Next, install the right chair.

Assembly Instructions

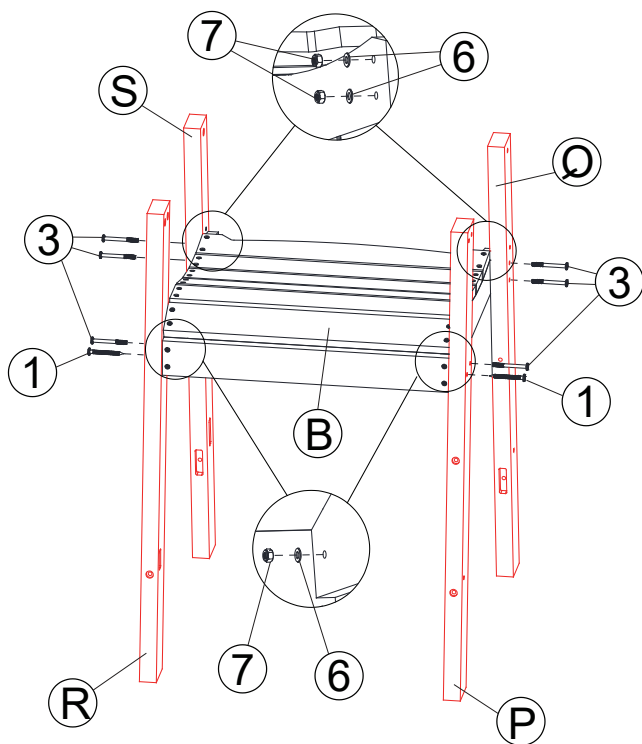
If you need help or have damaged or missing parts,

⚠ Caution: Please do not over-tighten bolts and screws during assembly.

STEP 5

As shown in the figure, use ①③⑥⑦ to fix P/Q/R/S and B.

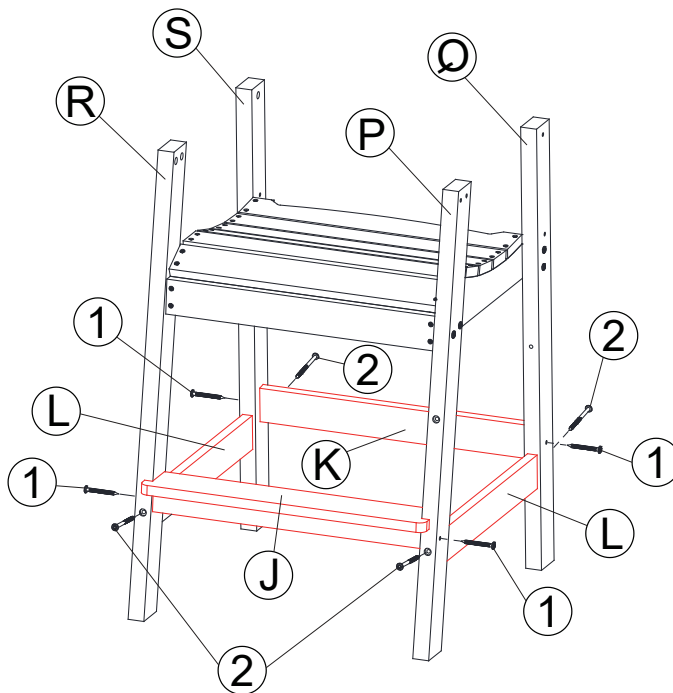
① × 2 ③ × 6 ⑥ × 6 ⑦ × 6



STEP 6

As shown in the figure, use ① to fix P/Q/R/S and J/K, use ② to fix P/Q/R/S and L.

① × 4 ② × 4



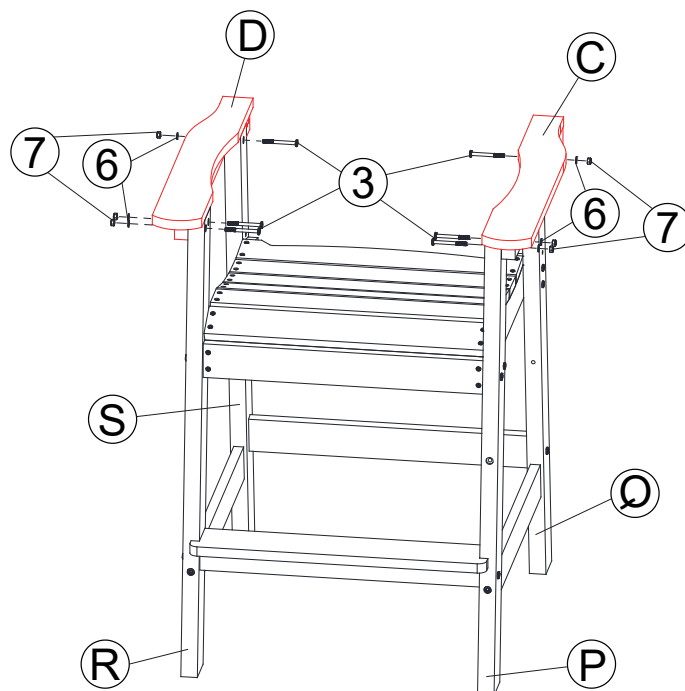
STEP 7

As shown in the figure, use ③⑥⑦ to fix C and P/Q, use ③⑥⑦ to fix D and R/S.

③ × 6

⑥ × 6

⑦ × 6



Assembly Instructions

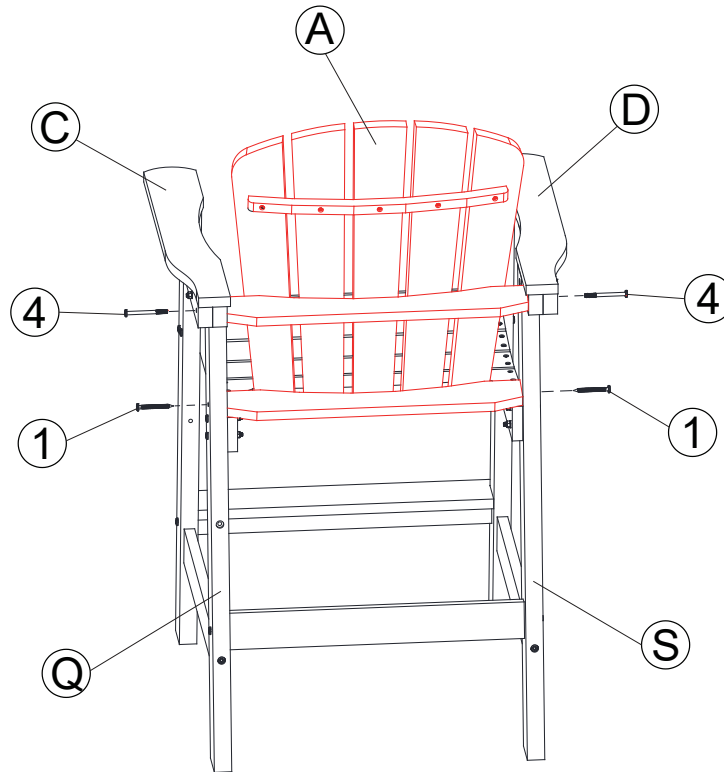
⚠ Caution: Please do not over-tighten bolts and screws during assembly.

STEP 8

As shown in the figure, use ①④ to fix A and C/Q, use ①④ to fix A and D/S. The right chair has been installed.

① × 2

④ × 2

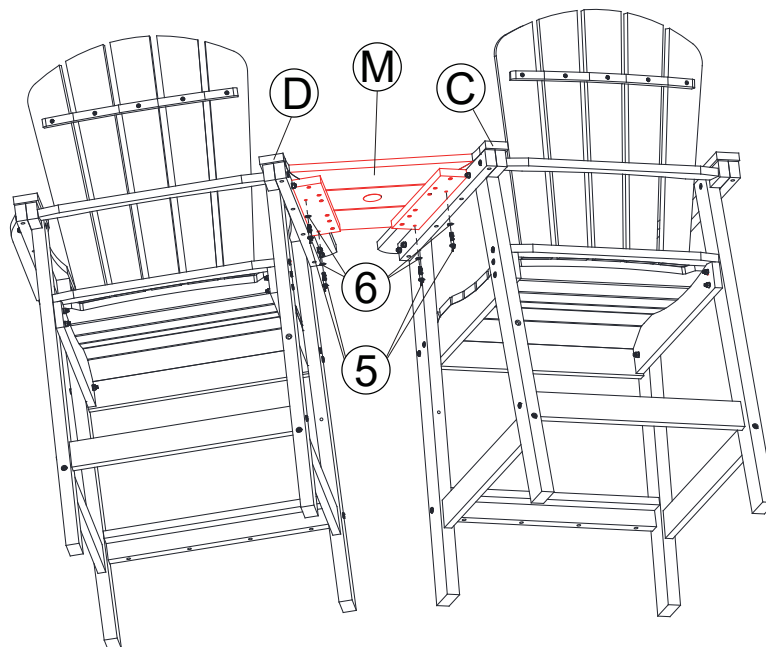


STEP 9

As shown in the figure, use ⑤⑥ to fix M and C/D.

⑤ × 4

⑥ × 4



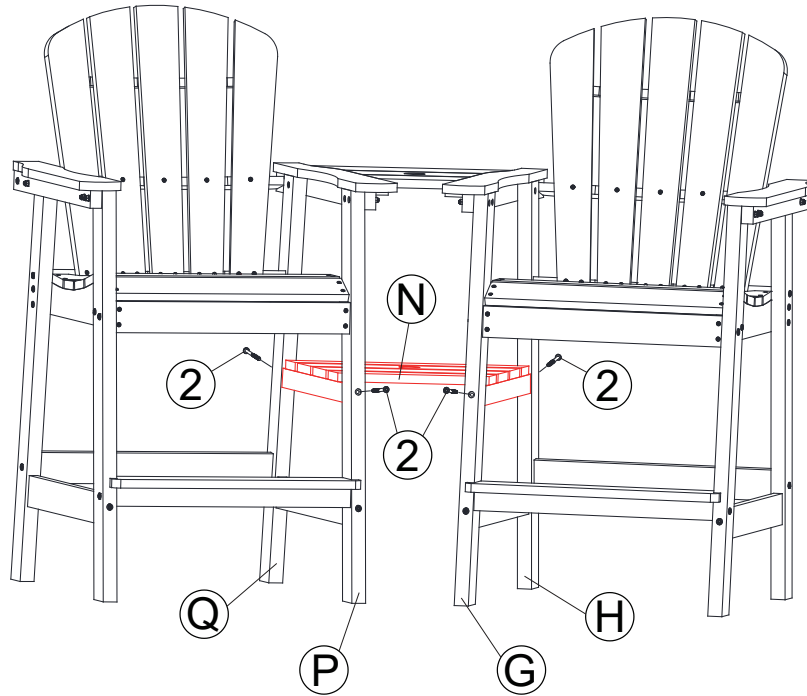
Assembly Instructions

⚠ Caution: Please do not over-tighten bolts and screws during assembly.

STEP 10

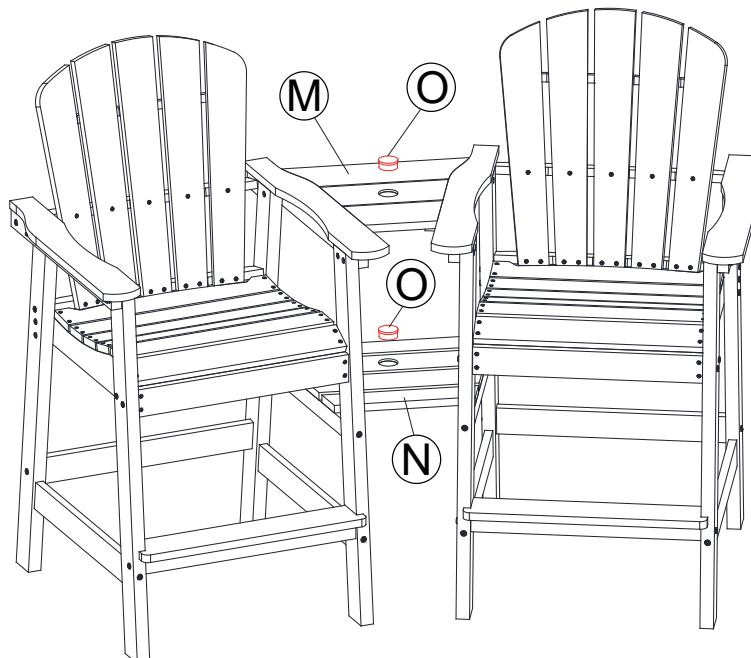
As shown in the figure, use ② to fix N and G/H/P/Q.

② ×4



STEP 11

As shown in the figure, put the umbrella hole plug to the umbrella hole. You chair is ready for you use.



Warnings

Important -Please read these instructions fully before starting assembly

Check you have all the components and tools listed on the page 2.

Remove all fittings from the plastic bags and separate them into their groups.

Keep children and animals away from the work area, small parts may cause choking if swallowed.

Make sure you have enough space to layout the parts before starting.

Assemble on a soft level surface to avoid damaging the unit or your floor.

Do not stand or put weight on the product, this could cause damage.

Assemble the item as close to its final position (in the same area) as possible.

Do not place furniture directly in front of radiators, fires, or any other source of heat.



The assembly will be easier with 2 people while 1 person could also do the job.



Refer to the LISTING page for specific installation videos.

Cleaning & Maintenance

- Clean the product with a solution of mild soap and water. Dip a soft cloth or sponge into the solution and wipe down the entire surface.
- After cleaning, thoroughly rinse the furniture with water to remove any remaining soap residue.
- When not in use, cover the product with a protective cover to keep it clean and prolong its lifespan.