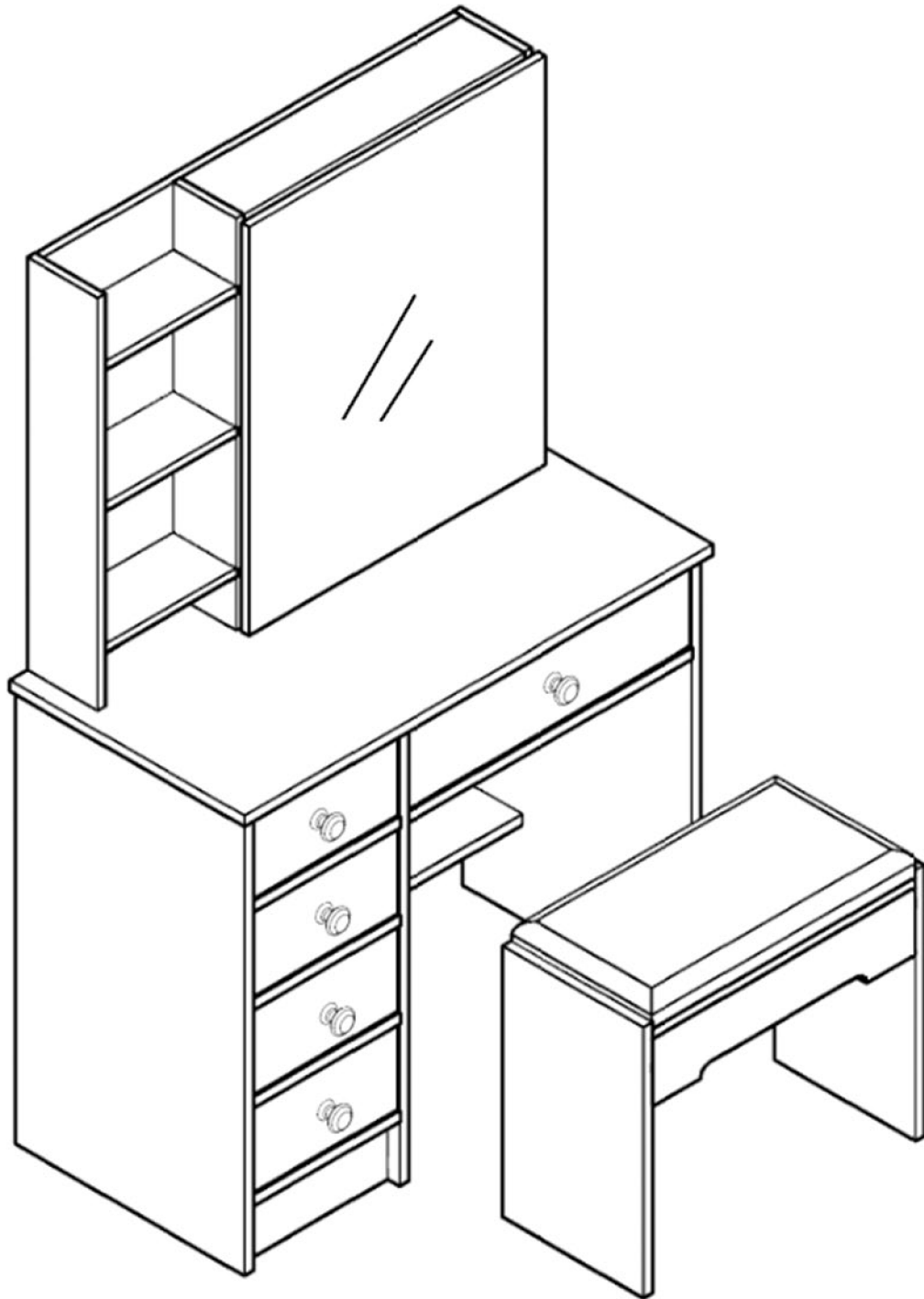
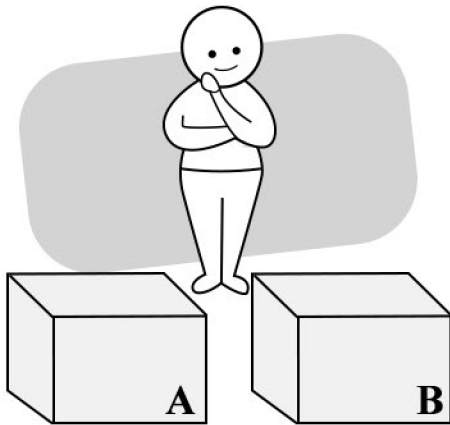


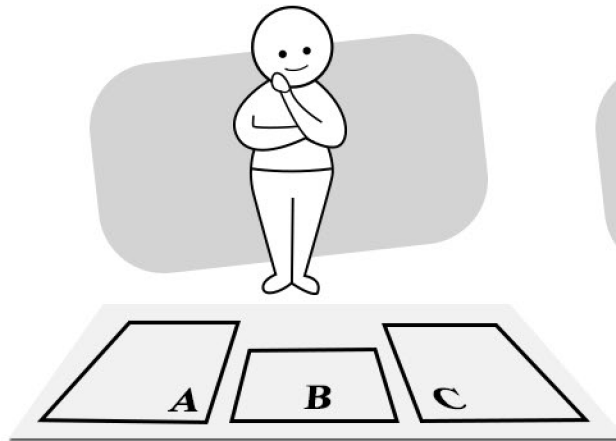
# USER MANUAL



# Preparation before installation



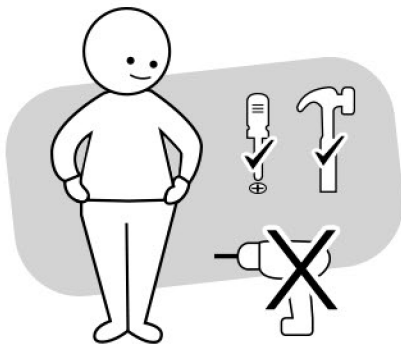
Check the number of parcels before you begin assembly



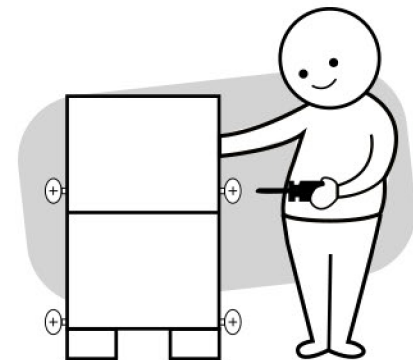
Identify and lay out all of the components before you begin assembly  
(It is best to spread it on the ground)



Read through the instructions carefully before you begin



Make sure you have all the required tools.  
Never use power tools unless instructed.



Unless instructed, do not fully tighten screws until the item is fully assembled.

## Important before assembly:

- ! Read these instructions carefully before assembling or using the product.
- ! Please check the contents of the boxes before attempting to assemble this product. The instructions will have a checklist of parts and fittings.
- ! It would be sensible to lay a rug or a carpet on the floor where you intend to assemble the product, to avoid scratches and damaging the product or the floor.
- ! Assemble the product as close to its intended final location/room as possible.
- ! Do **NOT** use any power tools as this may damage the frame.



## Safety and Care Advice

### Important – Please read these instructions fully before starting assembly

- Check you have all the components and tools listed on the following pages.
- Remove all fittings from the plastic bags and separate them into their groups.
- Keep children and animals away from the work area, small parts could choke if swallowed.
- Make sure you have enough space to lay out the parts before starting.

- During assembly, do not stand or put weight on the product, this could cause damage.
- Assemble the item as close to its final position (in the same room) as possible.
- Assemble on a soft level surface to avoid damaging the unit or your floor.
- Parts of the assembly will be easier with 2 people.



- We do not recommend the use of power drivers for inserting screws, as this could damage the unit. Only use hand screw drivers.

### Glue safety - Take care when using glue, please follow the advice below

**Skin contact:** Remove contamination by washing with soap and water. This procedure should also be followed prior to eating and drinking.

**Eye contact:** Rinse immediately with clean water for 15 minutes and seek medical advice.

**If swallowed:** Seek medical advice immediately.

### Care and maintenance

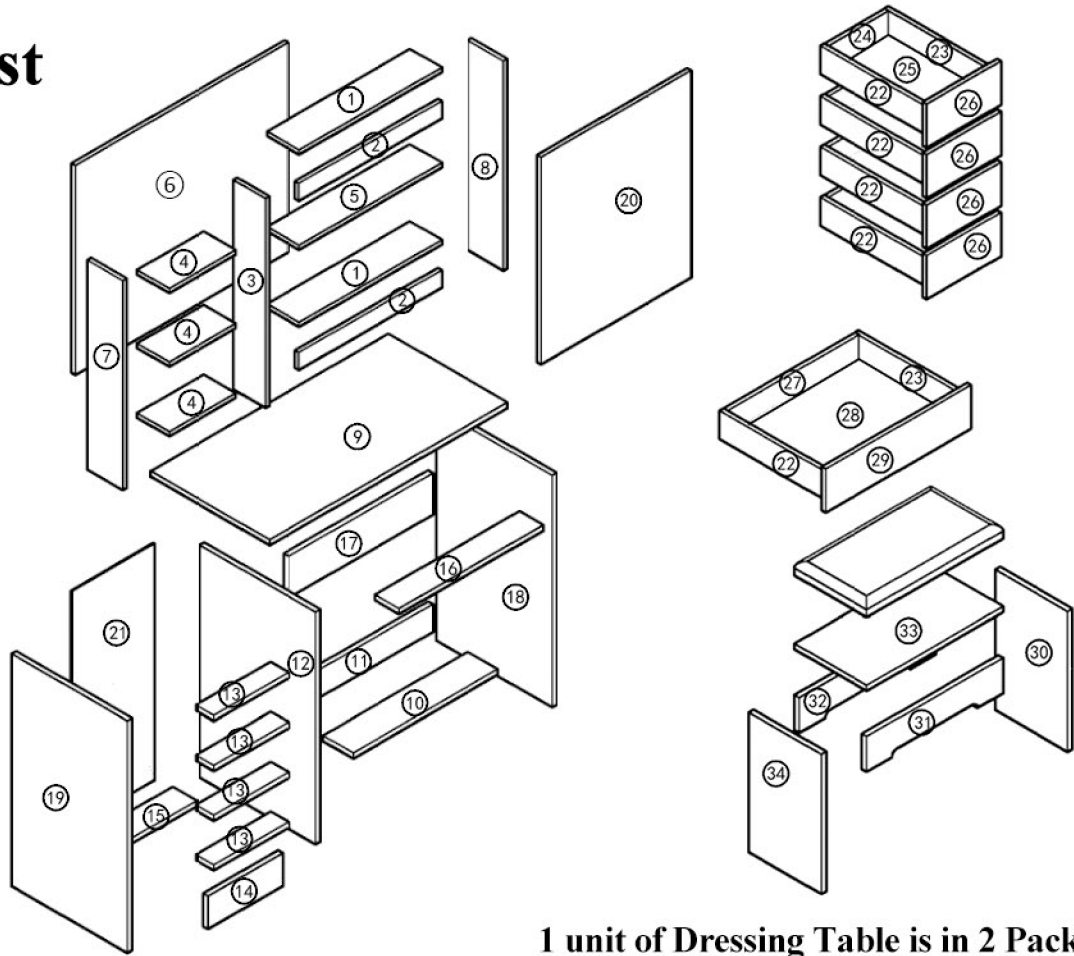
• Only clean using a damp cloth and mild detergent, do not use bleach or abrasive cleaners.

• From time to time check that there are no loose screws on this unit.

• This product should not be discarded with household waste. Take to your local authority waste disposal centre.

**Note:** if required the next page can be cut out and used as reference throughout the assembly. Keep this page with these instructions for future reference.

# Parts List


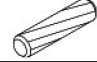













1 unit of Dressing Table is in 2 Packages


Part	Box	Qty
①	2	2pcs
②	2	2pcs
③	1	1pcs
④	2	3pcs
⑤	2	1pcs
⑥	1	1pcs
⑦	2	1pcs
⑧	2	1pcs
⑨	1	1pcs
⑩	2	1pcs
⑪	2	1pcs
⑫	2	1pcs
⑬	2	4pcs
⑭	2	1pcs
⑮	2	1pcs
⑯	2	1pcs
⑰	2	1pcs


Part	Box	Qty
⑱	2	1pcs
⑲	2	1pcs
⑳	1	1pcs
㉑	1	1pcs
㉒	1	5pcs
㉓	1	5pcs
㉔	2	4pcs
㉕	1	4pcs
㉖	2	4pcs
㉗	2	1pcs
㉘	1	1pcs
㉙	2	1pcs
㉚	1	1pcs
㉛	1	1pcs
㉜	1	1pcs
㉝	1	1pcs
㉞	1	1pcs


# Hardware List

Part	Description	Qty
A	Cambolt & Camlock 15x34mm 	31pcs
B	Wooden Dowel 40x8mm 	4pcs
C1	Slide Runner-1 350mm 	5sets
C2	Slide Runner-2 350mm 	5sets
D	Tapping Screw 12x3.5mm 	52pcs
E	Long Tapping Screw 40x5mm 	121pcs
F	Leg Pin 	10pcs
G	Sticker 	101pcs
H	Nail 	30pcs
I	Metal Knob 18x4mm 	5pcs
J1	Extension Slide-1 500mm 	1set
J2	Extension Slide-2 500mm 	1set


 There are inner box(es) that include components required to complete this assembly.

 Please do not completely tighten all the hardware, until the entire assembly is complete.


 Before discarding the packaging, please use the checklist to ensure that you have all the parts required to assemble your product. Please kindly note you will need the original package if you want to return the product later.




**x1**



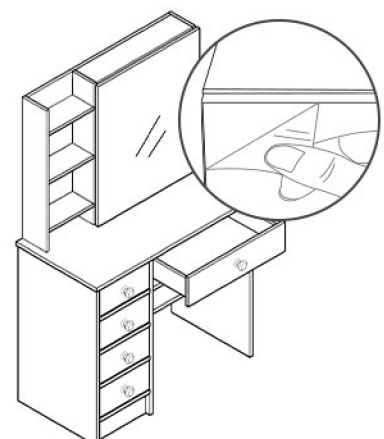
**x2**



**45 mins**

 **WARNING NOTE**

There is a protective film on the mirror please remove it **AFTER INSTALLATION.**



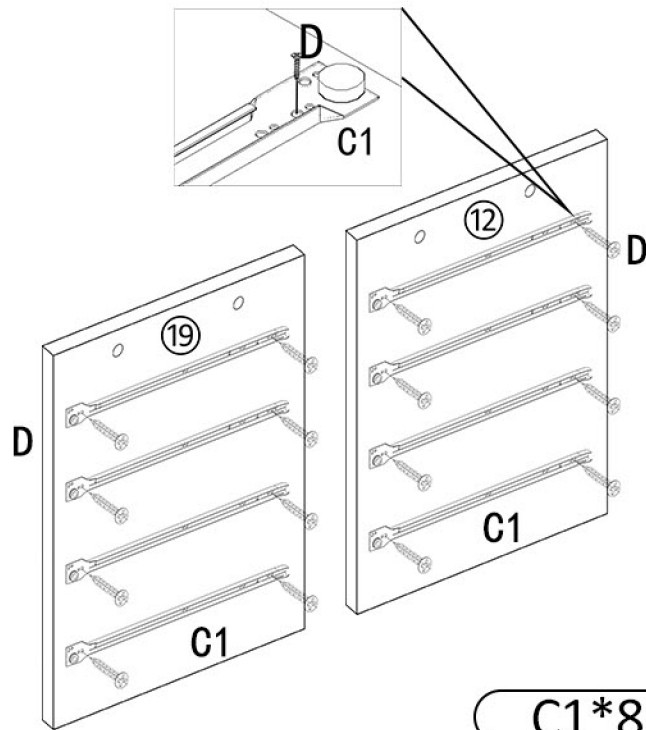
## STEP 1

### Attach Slide Runner

Screw 8pcs Tapping Screws D into panel ⑫, and 8pcs Tapping Screws D into panel ⑰ with 8pcs Slide Runner C1.

#### ⚠ NOTE

Please ensure that screw holes are drilled correctly and keep the screws on the slide runners are flat.



C1\*8 D\*16

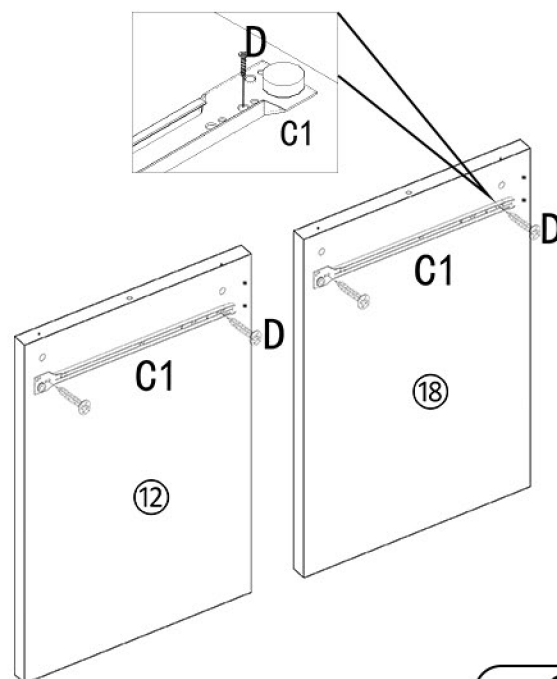
## STEP 2

### Attach Another Slide Runner

Screw 2pcs Tapping Screws D into the other side of panel ⑫, and 2pcs Tapping Screws D into panel ⑱ with 2pcs Slide Runner C1.

#### ⚠ NOTE

Please ensure that screw holes are drilled correctly and keep the screws on the slide runners are flat.

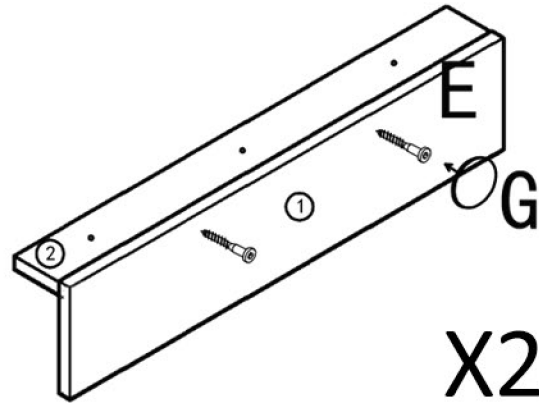


C1\*2 D\*4

### STEP 3

#### Assemble Inside Shelves

- Insert 2pcs Long Tapping Screw E to connect Panel ① and Panel ②.
- Place 2pcs Sticker G to cover Long Tapping Screw E.

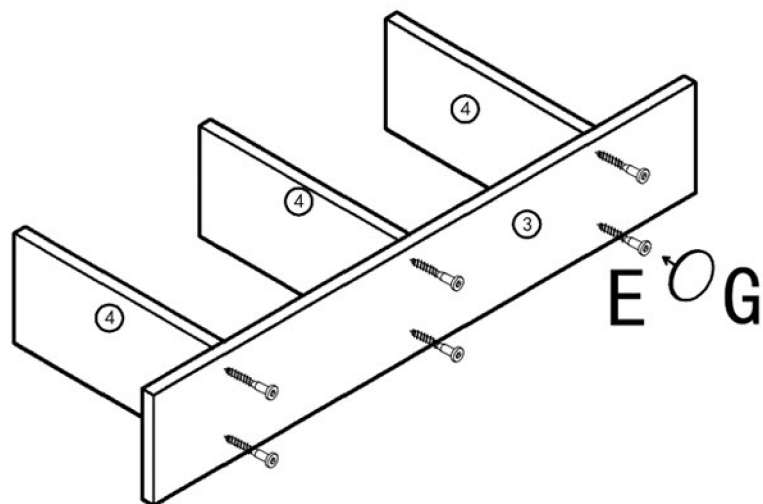


E\*2 G\*2

### STEP 4

#### Fit Side Panels of Shelves

- Insert 6pcs Long Tapping Screw E to connect Panel ③ and 3pcs of Panel ④.
- Place 6pcs Sticker G to cover Long Tapping Screw E.

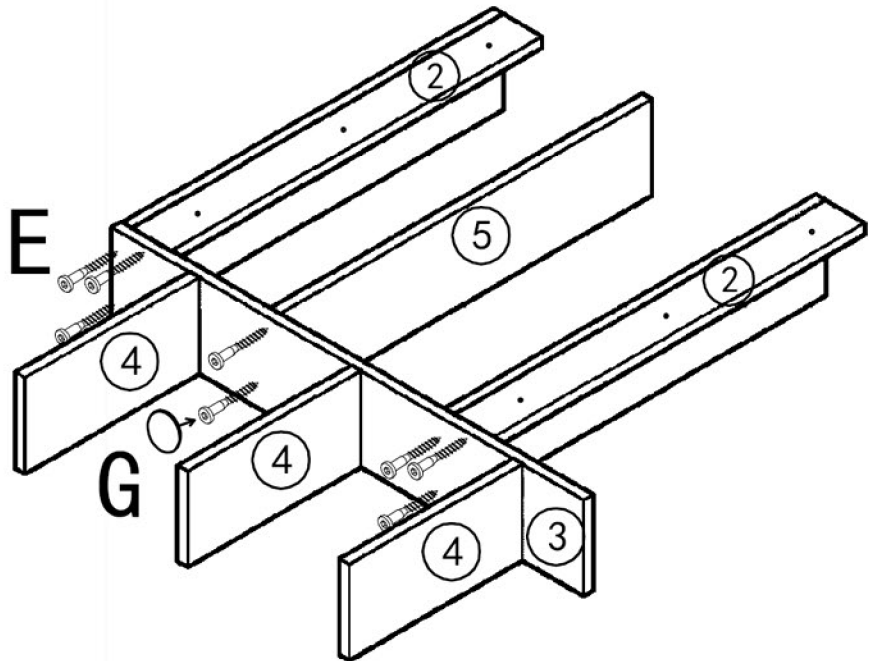


E\*6 G\*6

## STEP 5

### Fit Side Panels of Inside Shelves

- Insert 6pcs Long Tapping Screw E to connect Panel ③ and Shelves(installed in STEP 3).
- Insert 2pcs Long Tapping Screw E to connect Panel ③ and Panel ⑤.
- Place 8pcs Sticker G to cover Long Tapping Screw E.

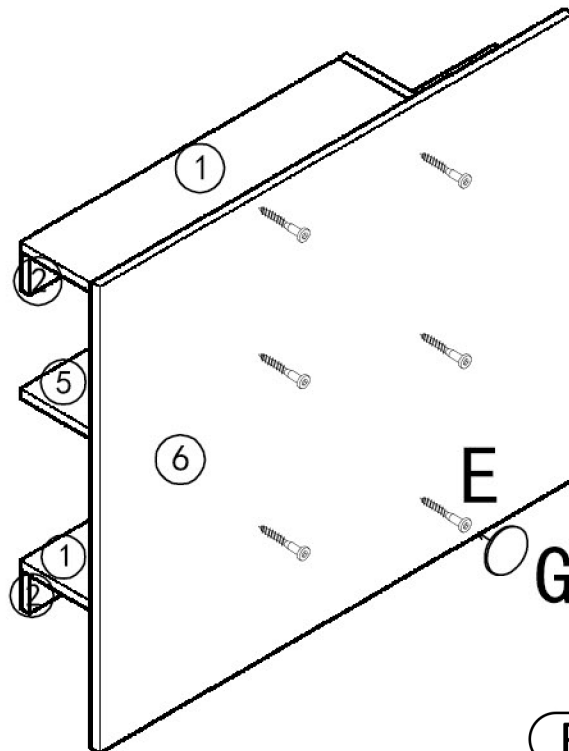


E\*8 G\*8

## STEP 6

### Fix Bottom of Shelves

- Insert 9pcs Long Tapping Screw E to connect Panel ⑨, and shelf part(Installed in STEP 7).
- Place 9pcs Sticker G to cover Long Tapping Screw E.

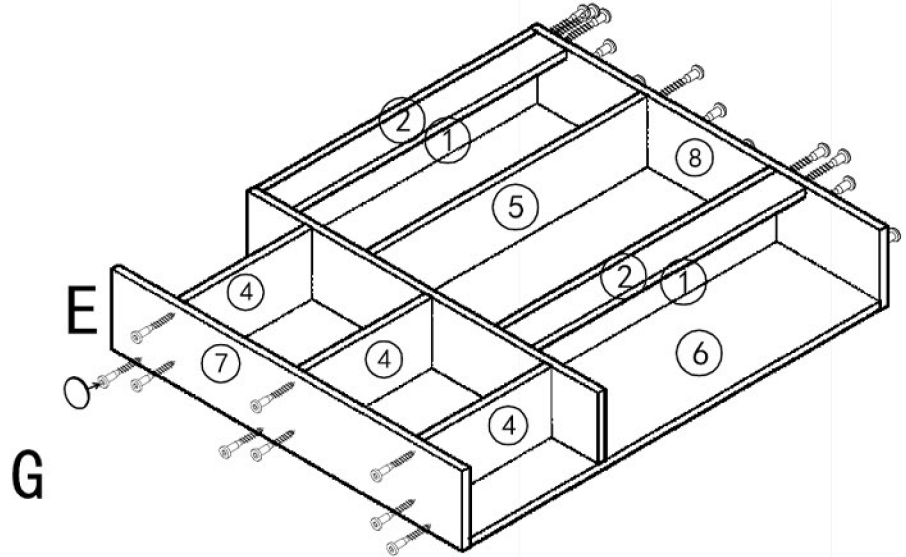


E\*6 G\*6

## STEP 7

### Fix Side of Shelves

- Insert 20pcs Long Tapping Screw E to connect Panel ⑦, Panel ⑧ and shelf part (Installed in STEP 6).
- Place 20pcs Sticker G to cover Long Tapping Screw E.

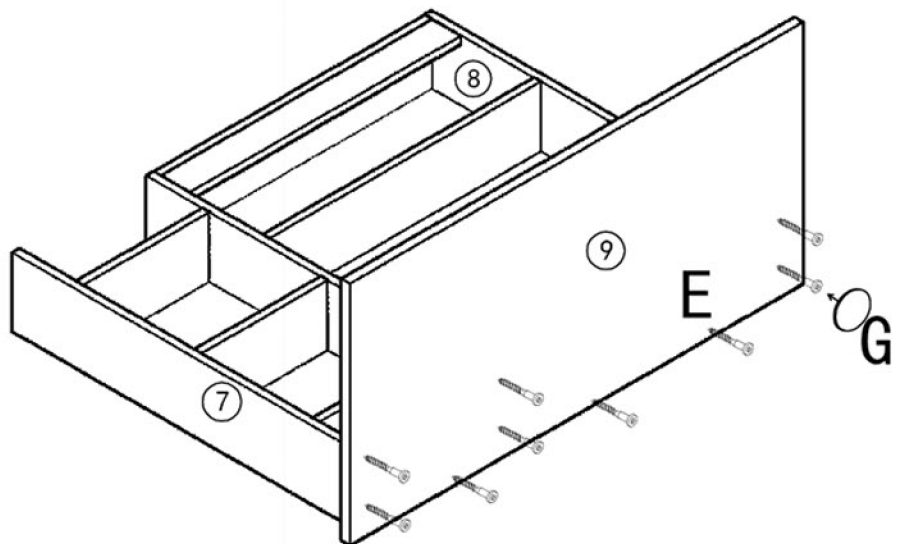


E\*20 G\*20

## STEP 8

### Fix Bottom of Shelves

- Insert 9pcs Long Tapping Screw E to connect Panel ⑨, and shelf part (Installed in STEP 7).
- Place 9pcs Sticker G to cover Long Tapping Screw E.

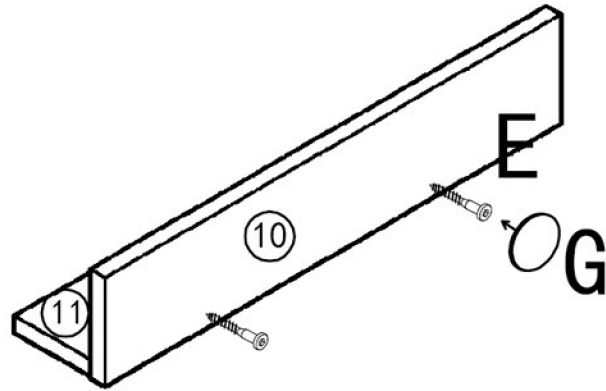


E\*9 G\*9

## STEP 9

### Assemble Bottom Part of Table

- Insert 2pcs Long Tapping Screw E to connect Panel ⑩ and Panel ⑪.
- Place 2pcs Sticker G to cover Long Tapping Screw E.

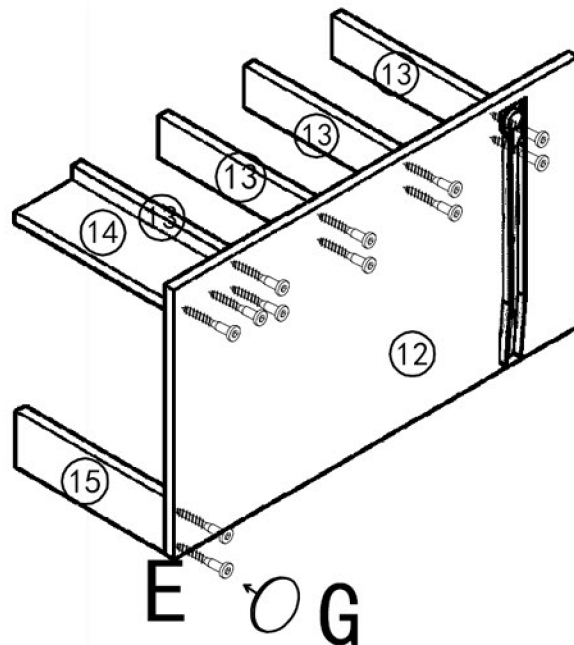


E\*2 G\*2

## STEP 10

### Assemble Drawers

- Insert 12pcs Long Tapping Screw E to connect Panel ⑫, 4pcs of Panel ⑬, Panel ⑭ and Panel ⑮.
- Place 12pcs Sticker G to cover Long Tapping Screw E.

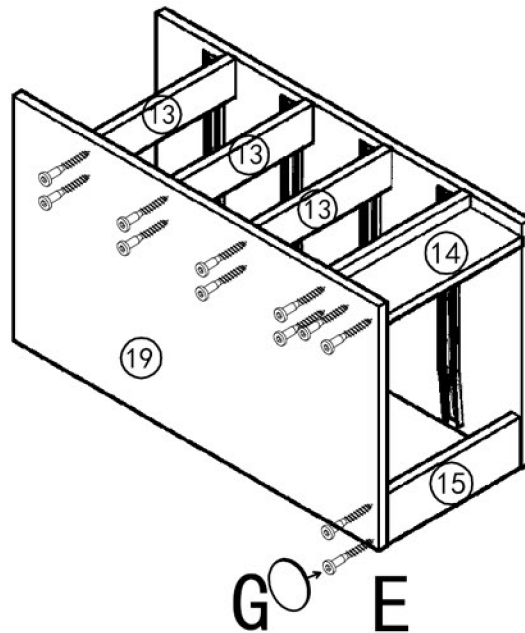


E\*12 G\*12

## STEP 11

### Assemble Side Panels of Drawers

- Insert 12pcs Long Tapping Screw E to connect Panel ⑱ to 4pcs of Panel ⑬, Panel ⑭ and Panel ⑮.
- Place 12pcs Sticker G to cover Long Tapping Screw E.

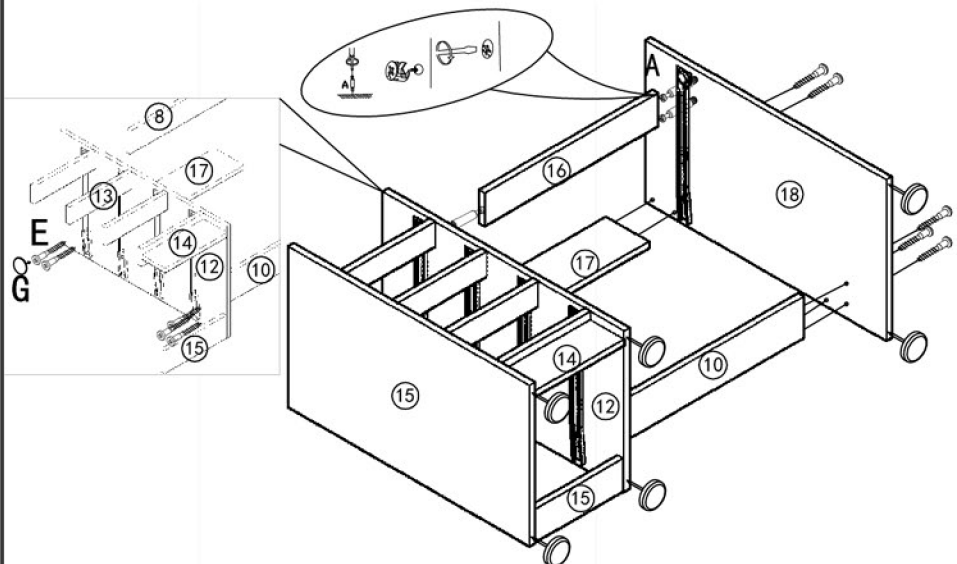


E\*12 G\*12

## STEP 12

### Fit Drawers and Bottom Table Part

- Insert 5pcs Long Tapping Screw E to Panel ⑮.
- Screw 3pcs cambolt A to Panel ⑱ and Panel ⑲, then tighten 3pcs camlock A.
- Insert 5pcs Long Tapping Screw E to Panel ⑱. Place 10 pcs Sticker G to cover Screw E.
- Insert 6pcs Leg pin F into the ends and Panel ⑲.



A\*3 E\*10 F\*6 G\*10



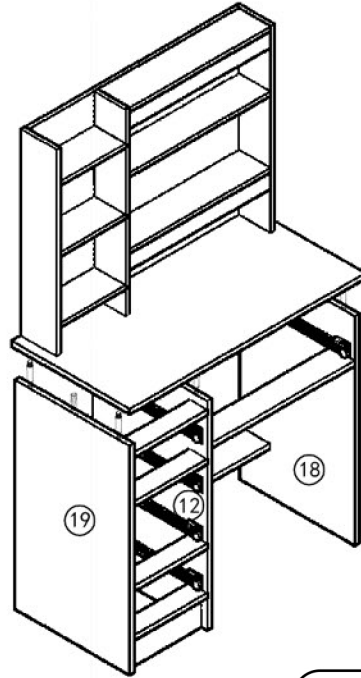
### NOTE

Don't screw too deep

## STEP 13

### Fit Top Shelf Frame

- Screw 8pcs cambolt A to connect Panel ⑫, Panel ⑱, and Panel ⑲. Insert 4 pcs of wooden dowel to Panel ⑫, Panel ⑱, and Panel ⑲.
- Tighten 8pcs camlock A.

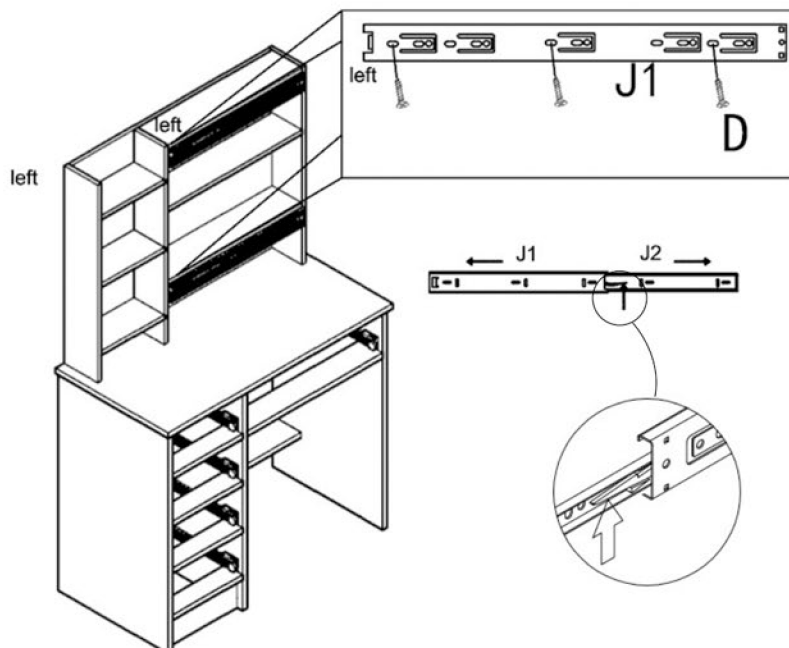


A\*8 B\*4

## STEP 14

### Separate Extension Slide

- Please take this slide runner into J1 and J2 according to the diagram.
- Screw 6pcs Tapping Screws D into 2pcs of panel ② with 2pcs Extension Slide J1.

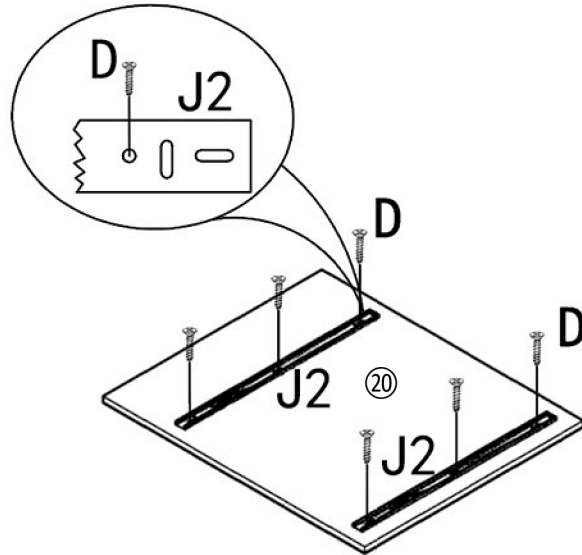


J1\*2 D\*6

## STEP 15

### Attach Extension Slide

Screw 6pcs Tapping Screws D into panel (20) with 2pcs Extension Slide J2.

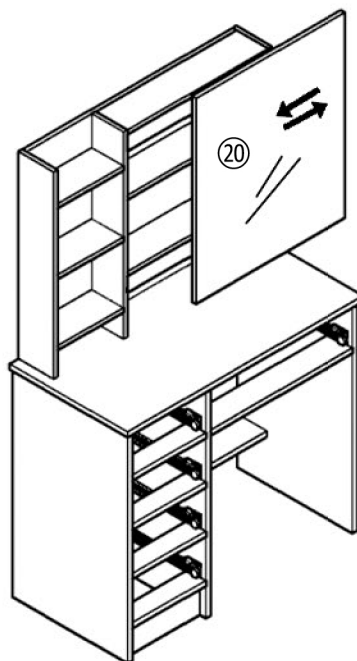


J2\*2 D\*6

## STEP 16

### Attatch Slide Mirror

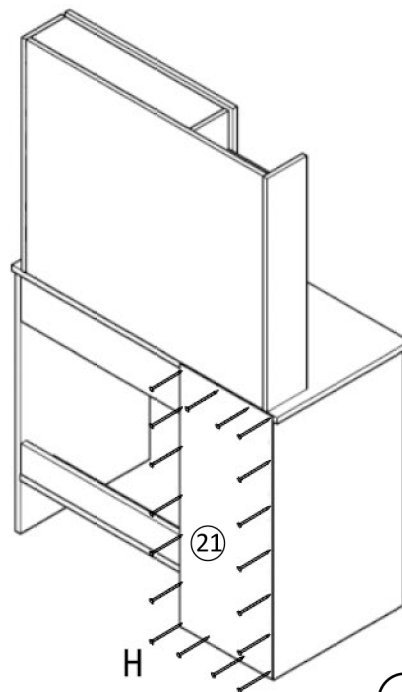
- Fix the rail into the slot of the Mirror.



## STEP 17

### Assemble Back Panel

- Screw 30pcs Nails H to Panel (21).

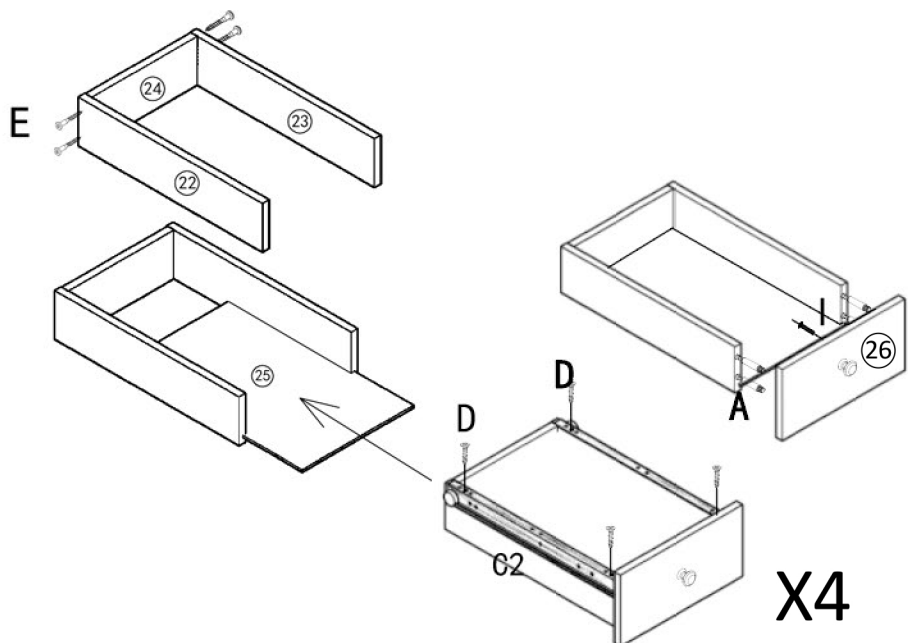


H\*30

## STEP 18

### Assemble 4 Drawers

- Insert 4pcs Long Tapping Screw E to connect Panel (22), Panel (23) and Panel (24).
- Place 1pc panel (25), follow the grooves and fit in and Screw Metal Knob I to Panel (26).
- Screw 4pcs cambolt A to Panel (22) and Panel (23), then fit Panel (26) and tighten 4pcs camlock A.
- Insert 4pcs Tapping Screw D to Panel (22) and Panel (23) with 2 pcs of Slide Runner C2.



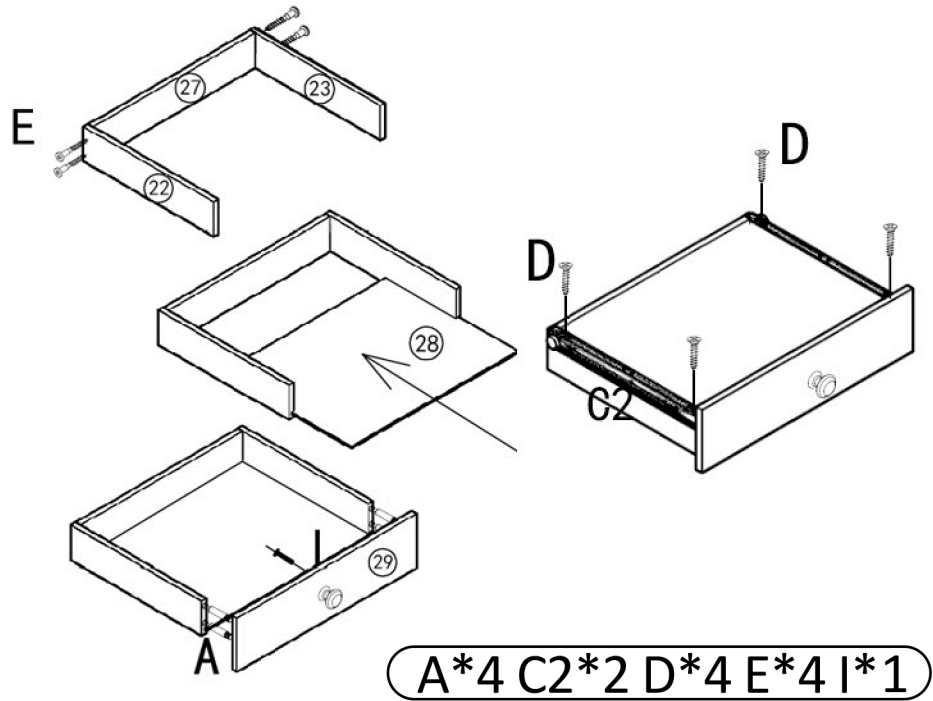
X4

A\*4 C2\*2 D\*4 E\*4 I\*1

## STEP 19

### Assemble Big Drawer

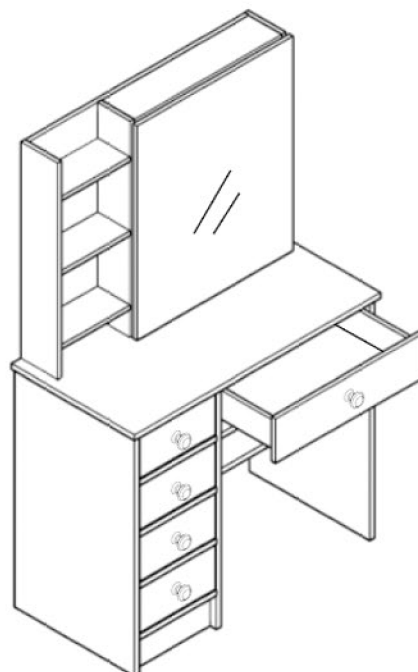
- Insert 4pcs Long Tapping Screw E to connect Panel (22) , Panel (23) and Panel (27) .
- Place 1pc panel (28) , follow the grooves and fit in and Screw Metal Knob I to Panel (29) .
- Screw 4pcs cambolt A to Panel (22) and Panel (23) , then fit Panel (29) and tighten 4pcs camlock A.
- Insert 4pcs Tapping Screw D to Panel (22) and Panel (23) with 2 pcs of Slide Runner C2.



## STEP 20

### Attatch Big Drawer

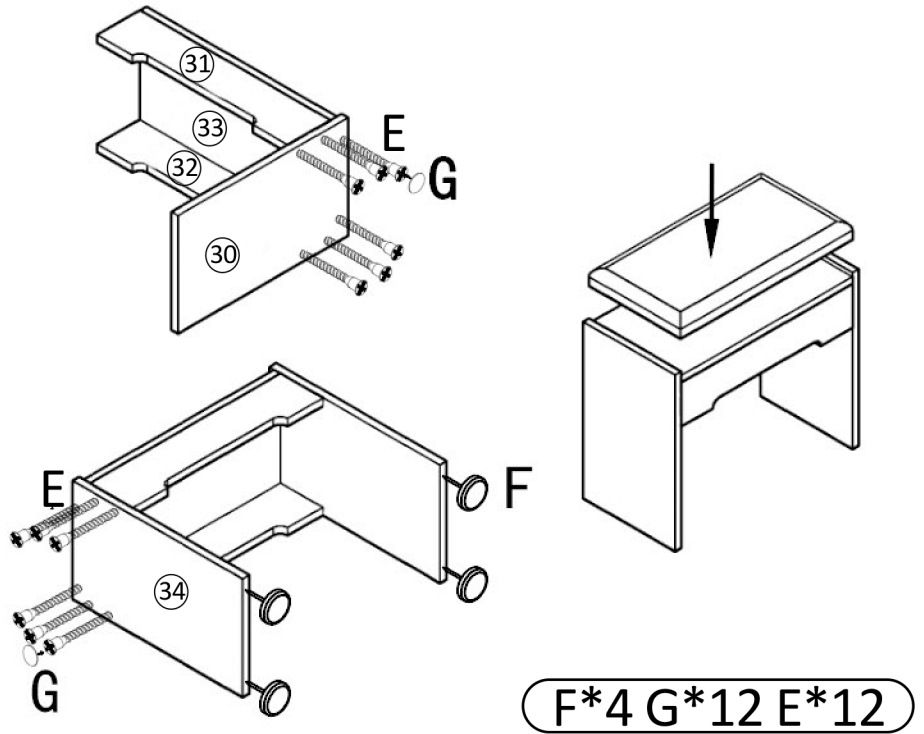
- Fix the rail into the slot of the Drawer.



## STEP 21

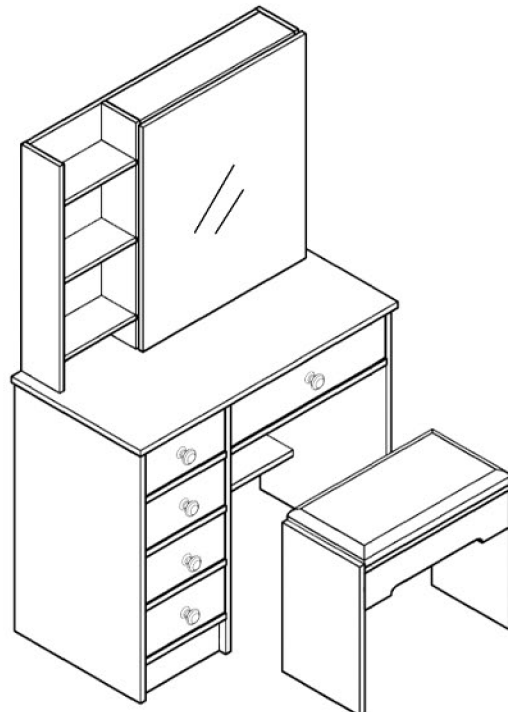
### Assemble Dressing Stool

- Insert 6pcs Long Screw E into Panel (30) to connect Panel (31), Panel (32) and Panel (33).
- Insert 6pcs Long Screw E into Panel (34) to connect Panel (31), Panel (32) and Panel (33).
- Place 12pcs Sticker G to cover Long screws E and insert 4pcs Leg pin F into the ends of Panel (30) and Panel (34).
- Fit Seat Panel.



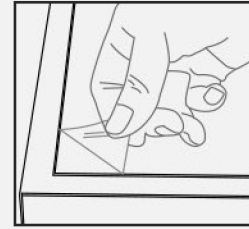
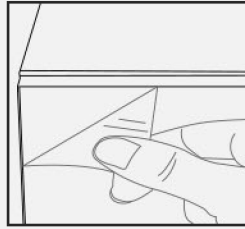
## STEP 22

Get Whole Dressing Table with Slide Mirror and Stool



## PROTECTIVE FILM

Please remove the protective film before using.

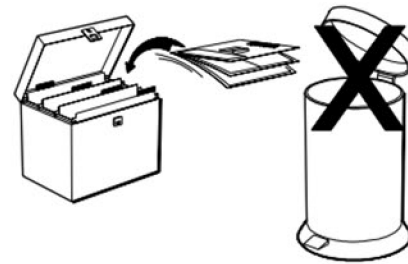
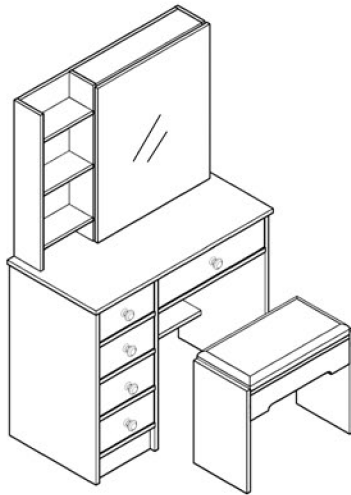


## Assembly Completed

Your Dressing Table is now completely assembled

Periodically check to ensure that the components are in their proper position, free from damage

Also, make sure the connectors are tight and secure.



*Keep instructions for future reference*

## WARNINGS

- ! This product should only be used on a firm and level floor.
- ! Keep small parts out of reach of children.
- ! Make sure the legs remain in contact with the floor.
- ! **DO NOT** use power tools to construct this product.
- ! **DO NOT** tighten screws until all parts are assembled or as advised in this guide.
- ! **DO NOT** over-tighten screws or bolts.
- ! **DO NOT** use this product if parts are missing, damaged or worn.
- ! **DO NOT** sit or stand on the product.



# Frequently Asked Questions

## **1. I received a damaged package.**

When you receive a damaged box, please open this package and check if there are any damaged or missing components inside the box. If so, please provide pictures and contact us through the platform. We will promptly resolve your issue.

## **2. I received the wrong color or product, which is not what I ordered.**

Please provide the following pictures as requested and send them to us through the platform. We will provide a solution as soon as we receive your pictures:

- the item No. on the package.
- the shipping label on the package.
- the actual item you received.

## **3. My order is incomplete.**

Normally, we will send you 1, 2 or 3... packages according to your order. If product you received is incomplete, please contact us to update other package information to you. Missing parts should be reported within 48 hours after delivery. Please email us a description. Once the email and photos have been received, we will contact you to send out spare parts.

## **4. My item is faulty.**

If your item faulty, please provide us with some pictures or videos (if the box is also damaged) through the platform, and we will provide a solution after receiving your pictures. We do our best to make sure all orders arrive in perfect condition. In the rare event that it does not, our customer services team is here to help.



# Return & Refund

While we hope you'll be happy with Furniture items, if sometimes you need to return them. This policy has all the information you'll need to know.

## **1. How to cancel my order?**

If you wish to cancel your order for any reason, please contact us immediately. Only orders that have not yet been dispatched can be canceled. If the order has already been dispatched we will not be able to cancel at the platform and the below policy will apply.

## **2. How do I make a return?**

If you wish to return an item that is no problem. We're happy to offer a refund or an exchange, as long as it's within the return period. You must return the item(s) to us within 30 days of receiving your order. To make the return process as quick and smooth as possible, please follow the below steps:

- a. Contact us by email within 30 days of your delivery to let us know you would like to return or exchange as well as why you would like to do so. We will solve the problem for you then.
- b. Make sure the item your order is in the original boxes. If you have not kept the original boxes, it is your responsibility to make sure the products are re-boxed, we do not provide additional boxes. Items must not have been used or assembled in any way. Please include the return slip in the box or write your order number on the outside.

## **3. Receiving your refund**

When we reach a consensus, we will refund the money to the same way you paid for the product.

Please allow up to 5-14 working days for the refund to show in your account, which is the time for the bank to operate the refund.



# General Care & Maintenance

Your furniture, if treated with respect and love, will last you a long time.  
Each piece requires light maintenance to maximize its longevity.

## **Few quick tips before using this product:**

1. Recommended weight limit for the drawer is 15kg(33lbs) for each storage compartment.
2. Avoid uneven weight distribution for long time as it may cause damage to the product shape.
3. Table top may not slide smoothly when table is overloaded by weight.
4. Check and tighten the camlock and screw periodically as it may loose over the time.

## **How to take care of it?**

1. Avoid direct sunlight or use curtains or blinds to limit the sun exposure to the product.
2. Clean the product regularly with a dry, soft cloth.
3. Avoid using abrasive or liquid cleanser.
4. Avoid placing hot objects onto the table top surface
5. Spillage may damage the surface. Clean immediately with a dry cloth
6. We recommend using placemats or coasters underneath glasses, cups, bowls or plates to prevent scratches to the table surface.

## **NOTES:**

When moving your product, carefully lift into place. Never drag or push the product across the floor as this will cause damage to the joints. If the product is used on hard flooring, such as wood or laminated floor, you must place some protection under the legs to stop the product from moving. If this is not adhered to, it could result in failure to the product that will invalidate the warranty.