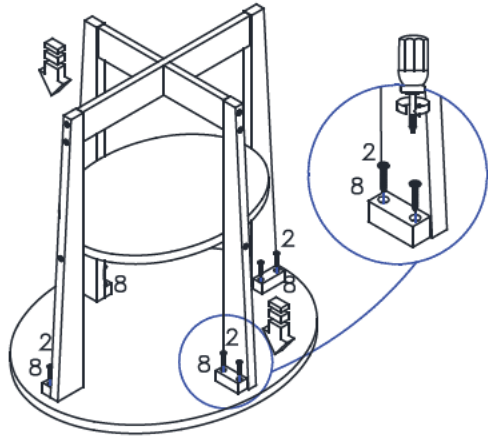


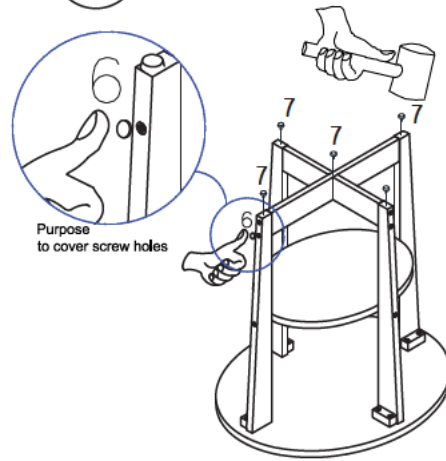
STEP

6



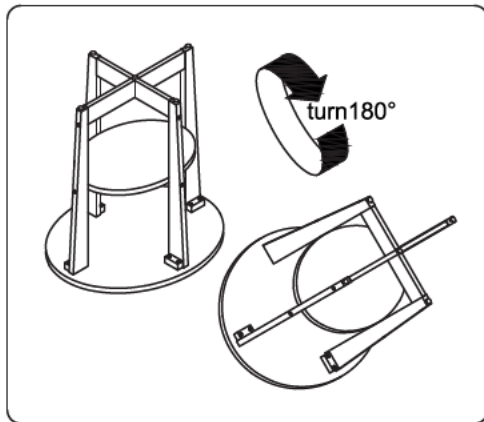
STEP

7

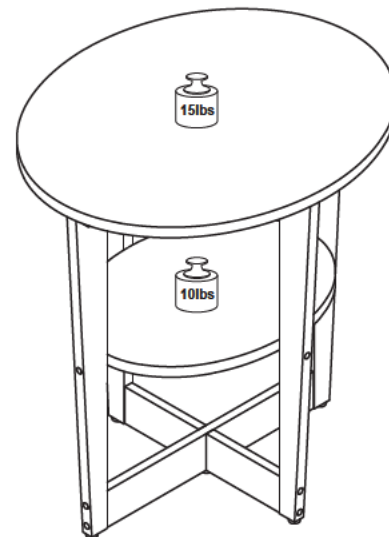


STEP

8



Recommended Maximum Weight:



**WARNING:**

>This unit has been designed to support the maximum loads shown. Exceeding these load limits could cause sagging, instability, product collapse, and/or serious injury.

>DO NOT allow children to climb on unit.

**Assembly Instruction**

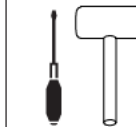
Round End Table (Set of Two)

00:50

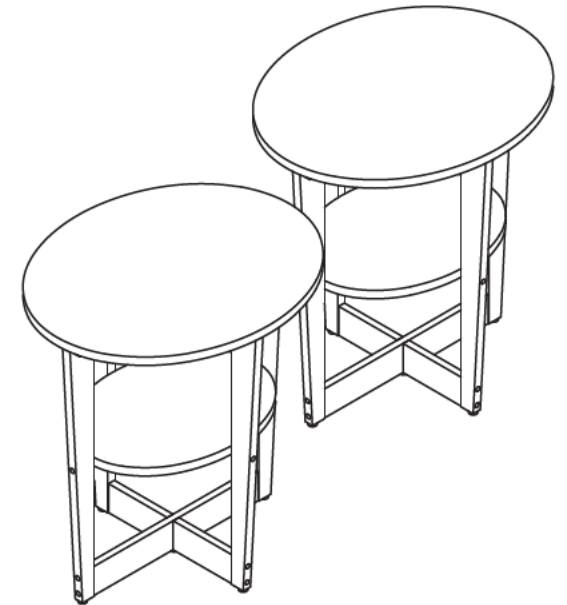
Approx. 50 minutes
















Recomm. 2 Person



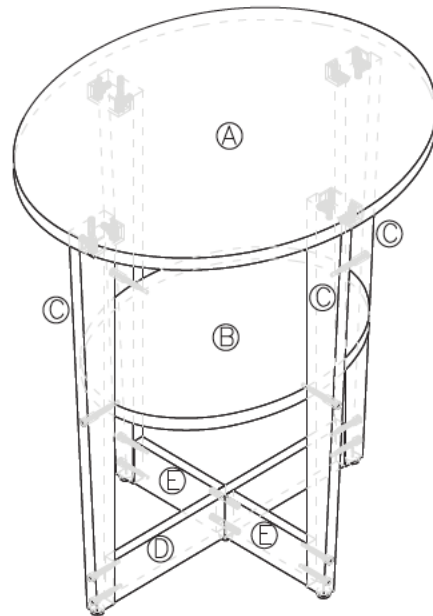
Tools Required



No	Hardware List	Qty
1	Long Screw 	24pcs
2	Short Screw 	16pcs
3	Short Dowel 	8pcs
4	Long Dowel 	4pcs
5	White Glue 	1pc
6	Round Sticker 	24pcs
7	Nail Leg 	10pcs
8	PVC Bracket 	8pcs

No	Parts List	Qty
A	Top Panel 	2pcs
B	Shelf Panel 	2pcs
C	Leg Panel 	8pcs
D	Long Support Panel 	2pcs
E	Short Support Panel 	4pcs

\*All the hardware quantity are for two sets.



#### USEFUL HINTS BEFORE YOU START:

1. Read each step carefully before starting.
2. It is important that each step is performed in correct order to avoid difficulties.
3. Identify, sort and count the parts before assembly.
4. Assemble your furniture on packaging cardboard to prevent scratch or damage.
5. Clean the product with mild cleanser using soft damped cloth. Do not use harsh or abrasive cleanser.
6. Using incompatible hardware might cause damage to product.

#### ASSEMBLY INSTRUCTION

