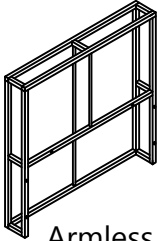
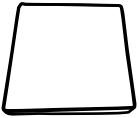
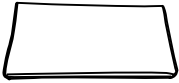
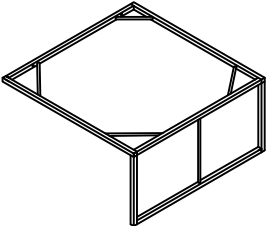
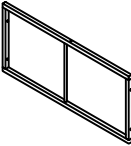
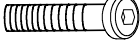

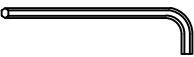
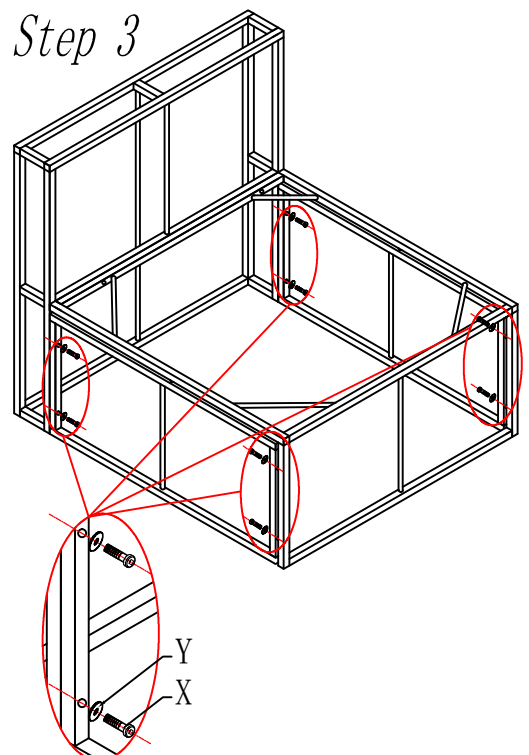
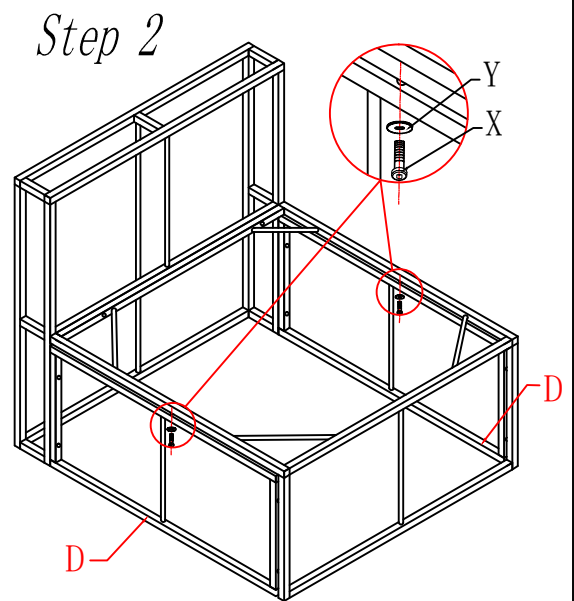
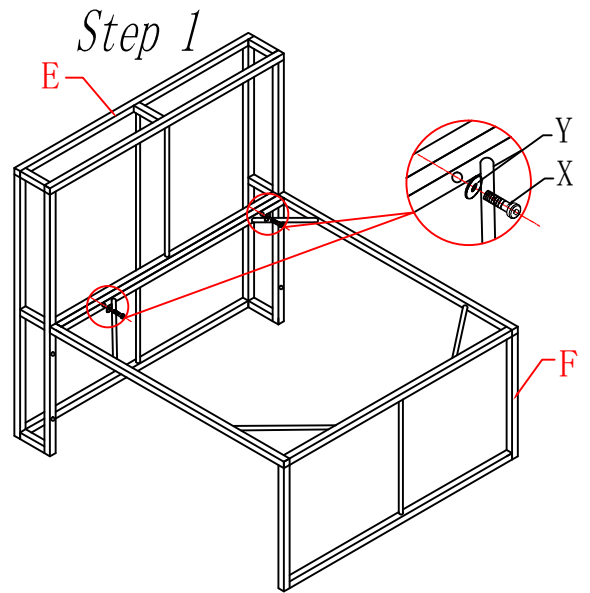


# ASSEMBLY INSTRUCTIONS

|   |   |    |   |   |
|---|---|----|---|---|
| E | <br>Armless Back  | 2  | <br>63*63*8CM   | 2 |
|   |   |    | <br>32*63*10CM | 2 |
| F | <br>Armless Seat | 2  |   |   |
| D | <br>Side Board   | 4  |   |   |
| X |  M6*35           | 24 |   |   |
| Y |                 | 24 |   |   |
| Z |                | 1  |   |   |

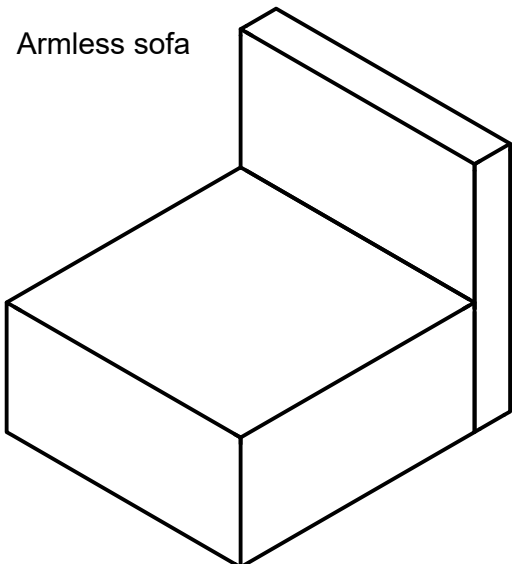


**Notice:**

1. Remove the sponge from the cushion when washing.
2. Hand wash only. The washing machine and brush harm the fabric.



Armless sofa



1

The cushion can be fastened to the rattan with the effective horn button.



2

Open the rattan and fasten the horn button to a chosen position.



3

When fully inserted, it has spare tape to increase the cushion movement space



4

The cushion fixation is completed, if you any other problem, please contact seller

