

A x 1

FI5463

C x 1

CA2464

D x 1

BA1520

H x 2

CS1855

I x 1

CS1857

O x 3

SH2025

Q x 1

SH2243

U x 1

OF0166

W x 2

OF0165

Z x 1

FI5464

H1 x 12

FH0001



H166 x 1

FH0166



H171 x 1

FH0171



H173 x 1

FH0173



T28 x 4

FT0028



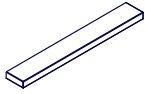
T92 x 4

FT0092



M88 x 3

FM0088



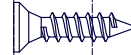
H46 x 4

FH0046



H47 x 4

FH0047

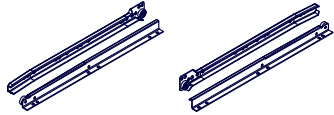


V5 x 16

FV0005

A12 x 3

FA0012



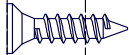
mm

0

10

20

mm 0 10 20 30 40 50



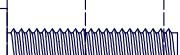
V5 x 16

FV0005



V13 x 12

FV0013



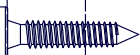
V32 x 6

FV0032



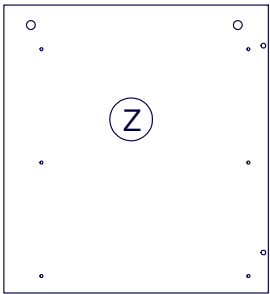
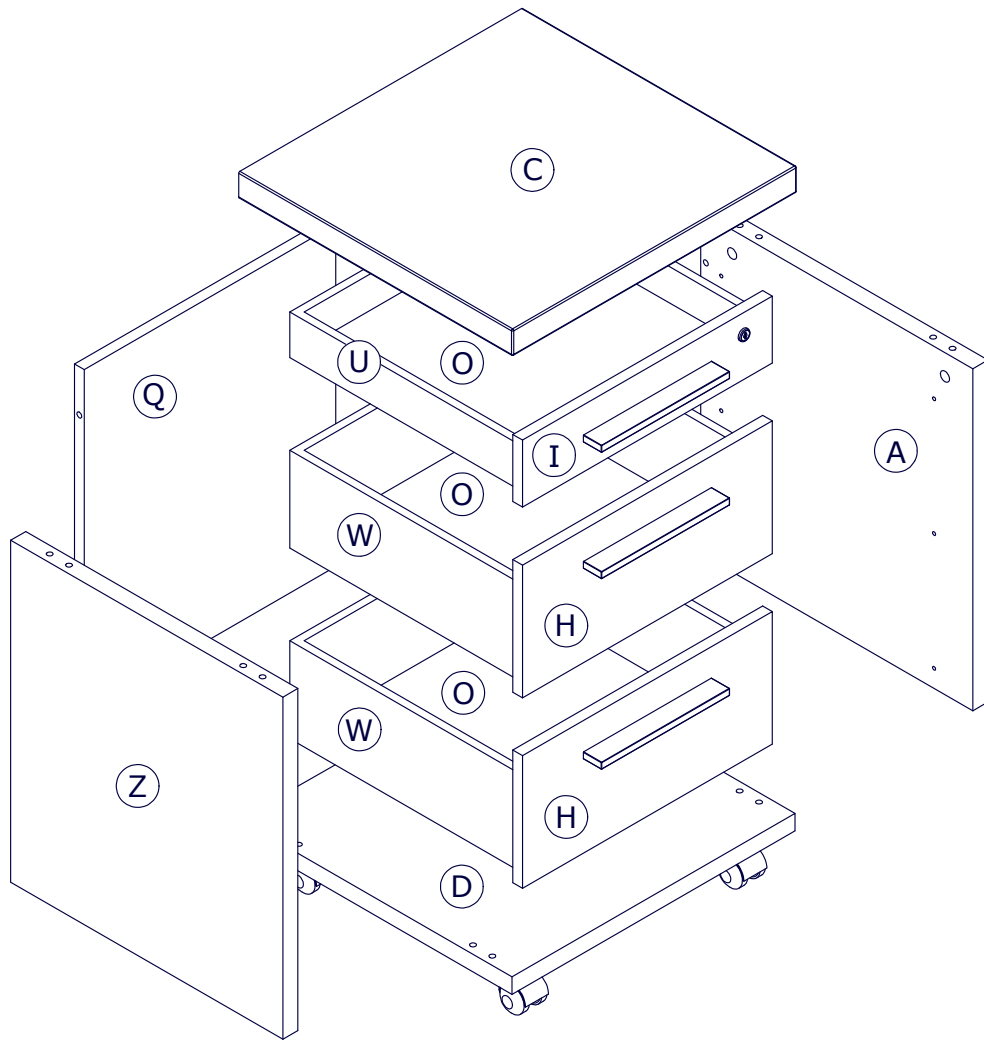
V45 x 4

FV0045

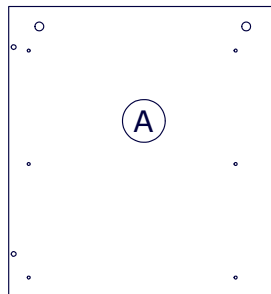


V109 x 2

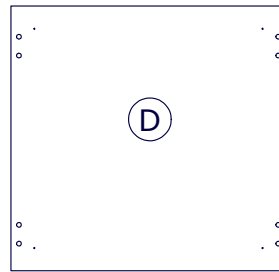
FV0109



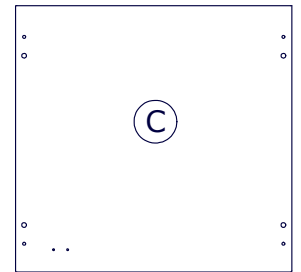
490x450x25mm



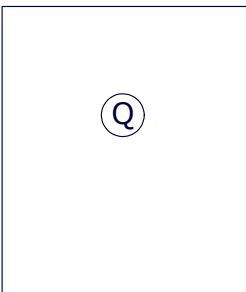
490x450x25mm



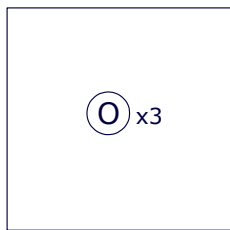
468x450x25mm



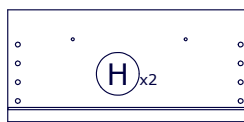
470x453x38mm



490x416x16mm



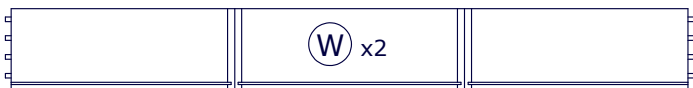
381x378x3mm



413x190x16mm



413x96x16mm



380x391x380mm H.138mm



380x391x380mm H.65mm

1

H166 x 1



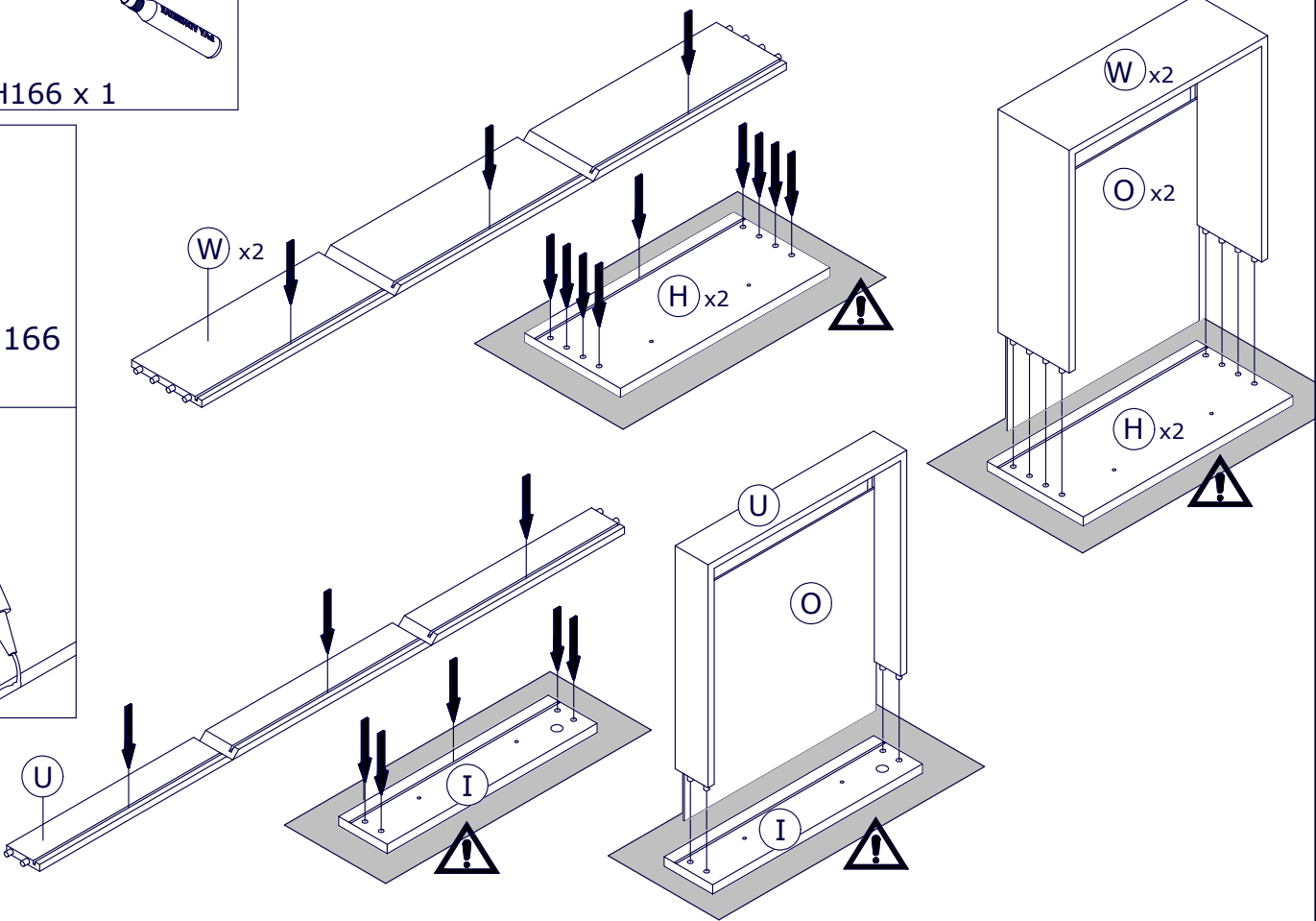
1°



H166

2°

H166

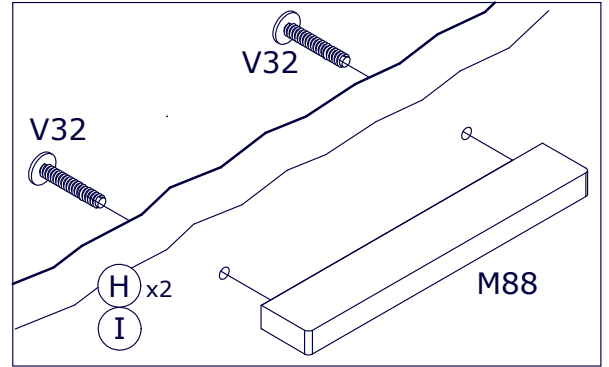
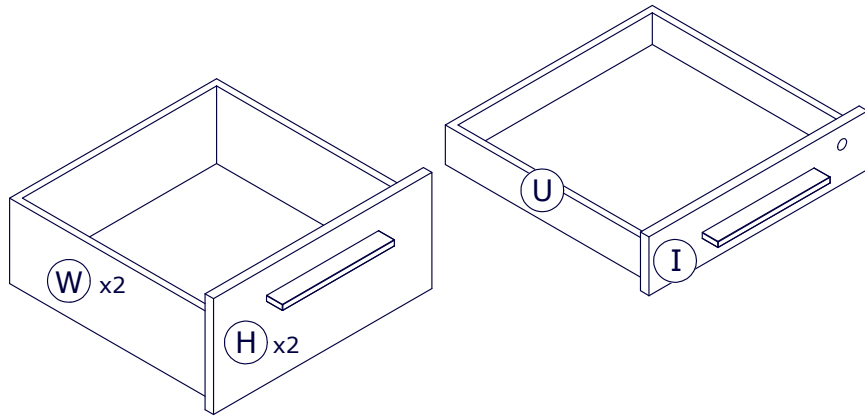
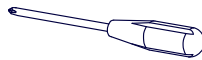
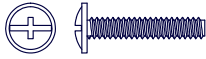


2

M88 x 3

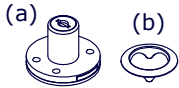


V32 x 6



3

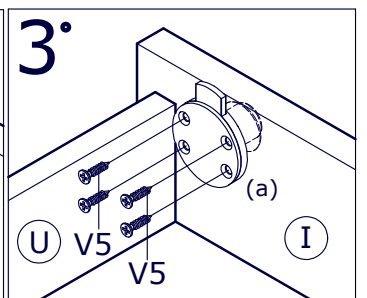
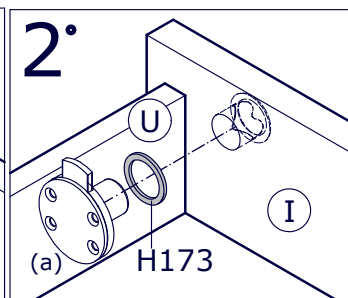
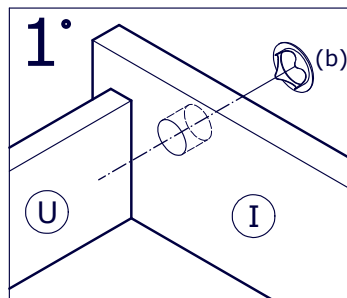
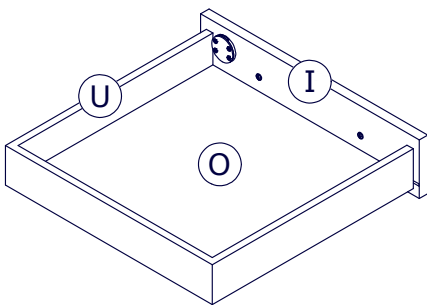
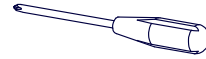
H171



V5 x 4

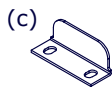


H173 x 1

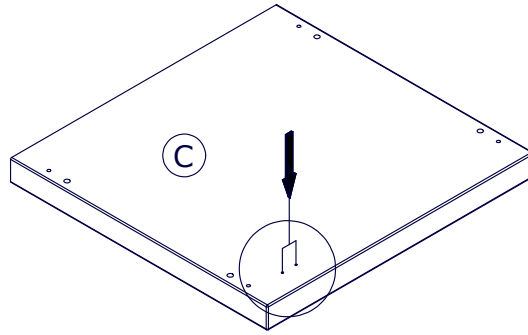
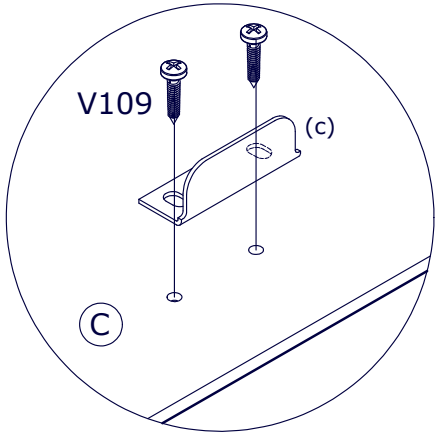
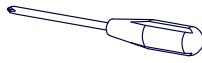
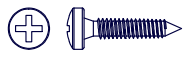


4

H171

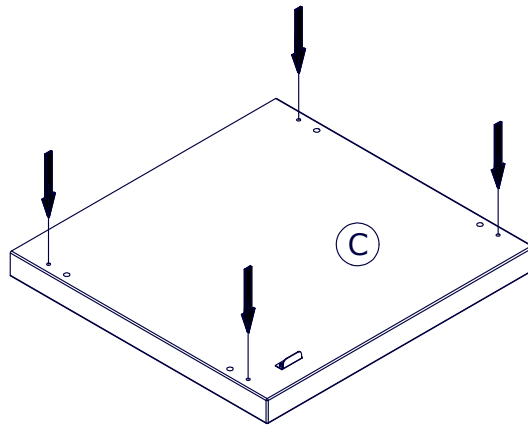
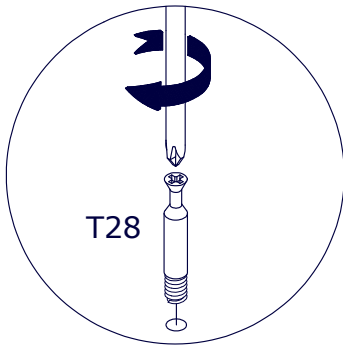
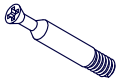


V109 x 2



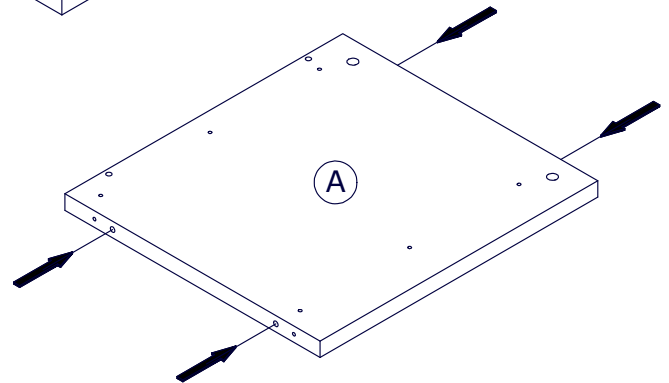
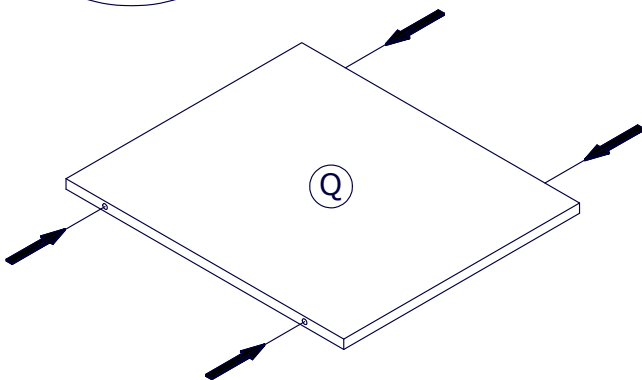
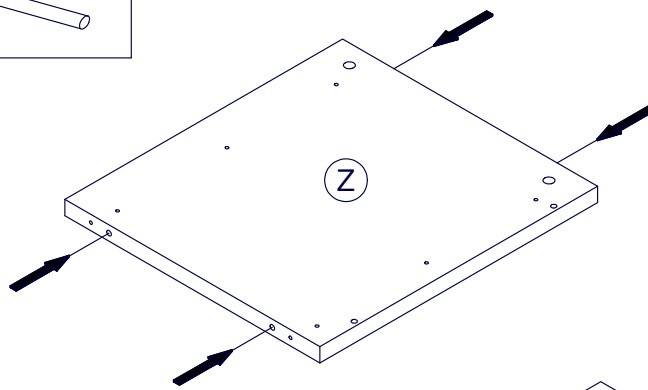
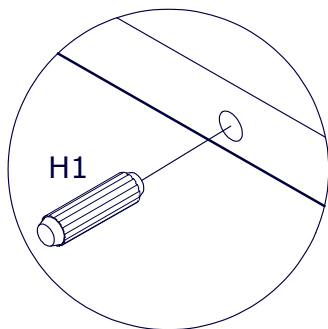
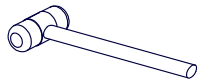
5

T28 x 4



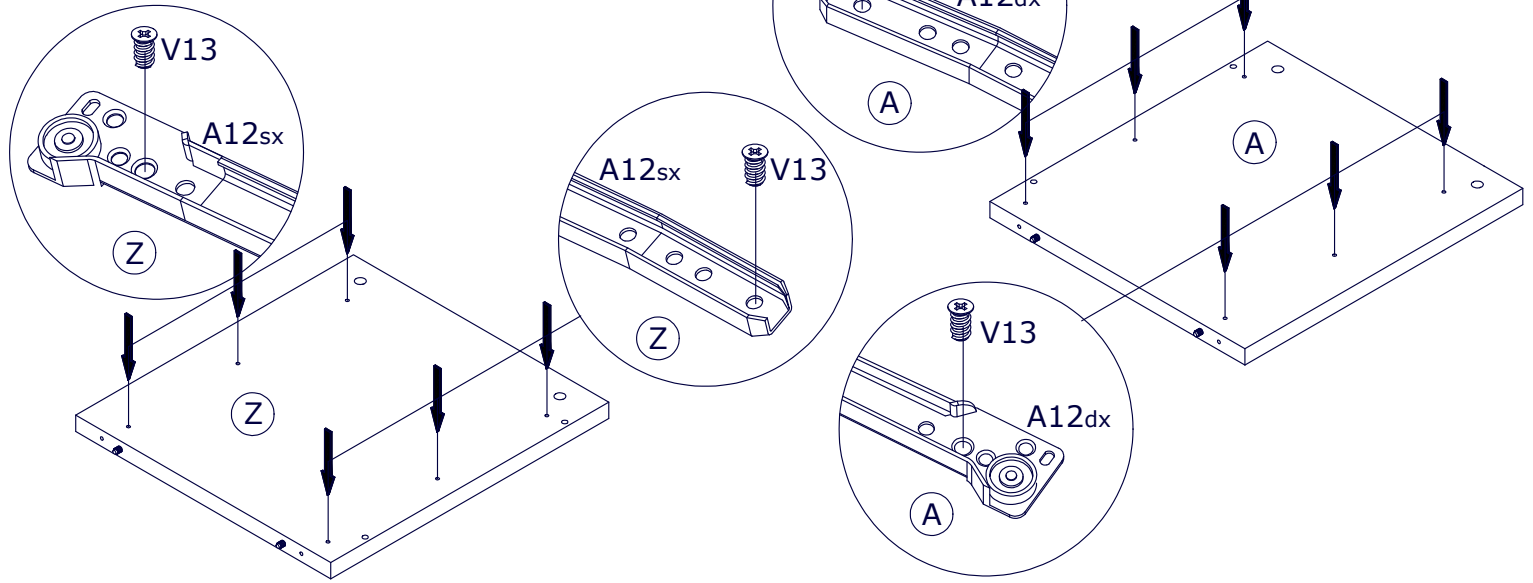
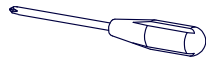
6

H1 x 12

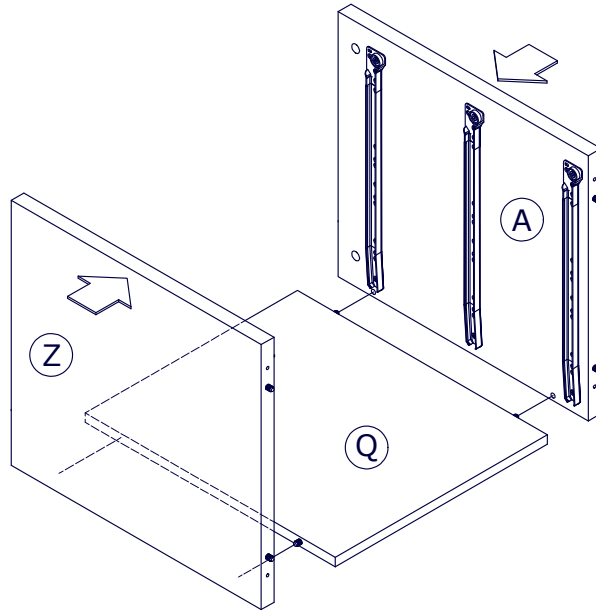


7

V13 x 12

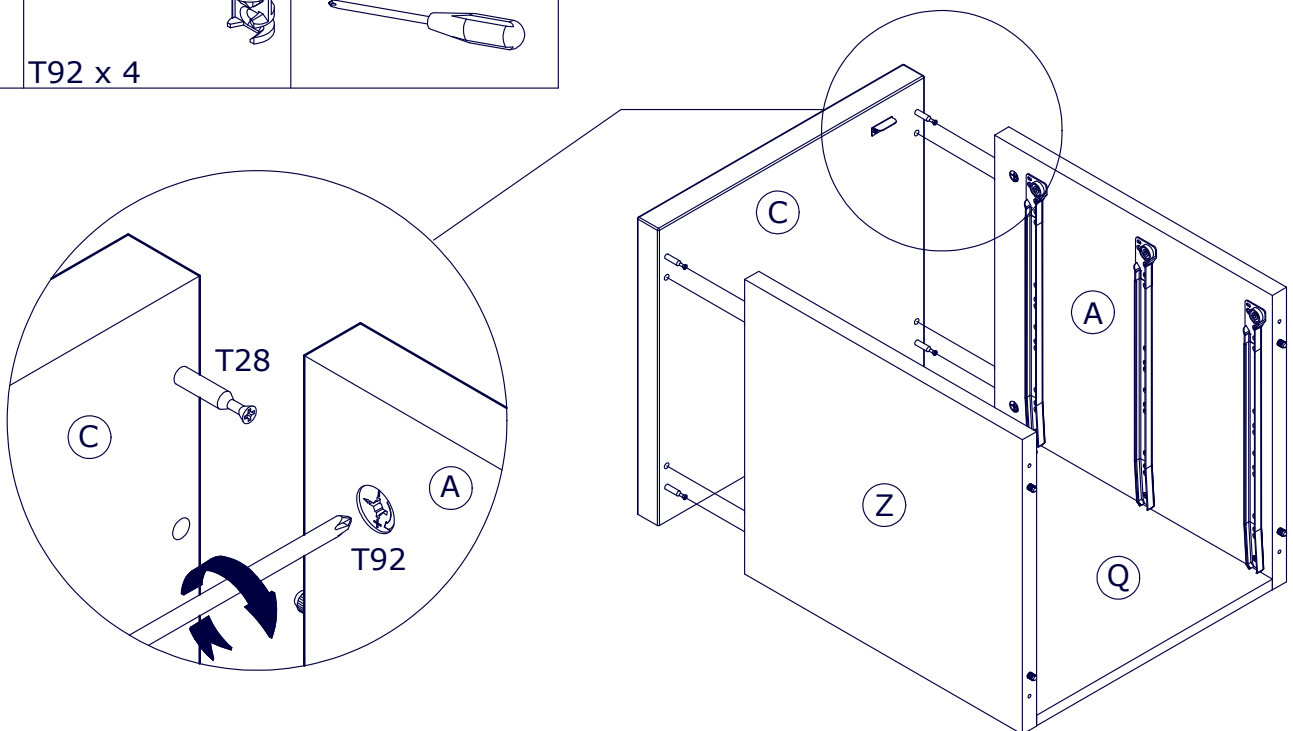
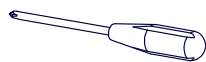


8

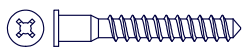


9

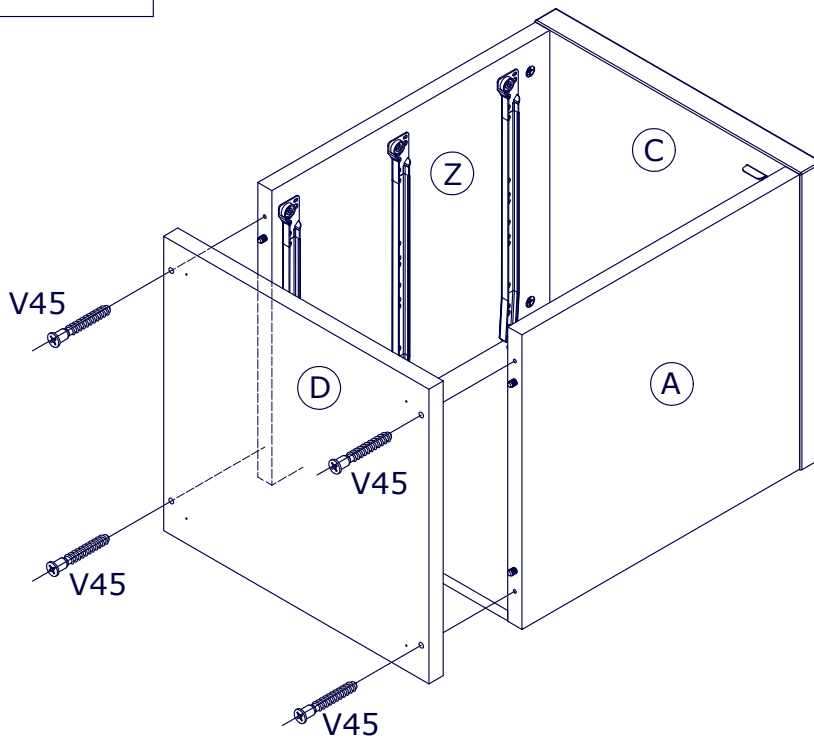
T92 x 4



10



V45 x 4



11



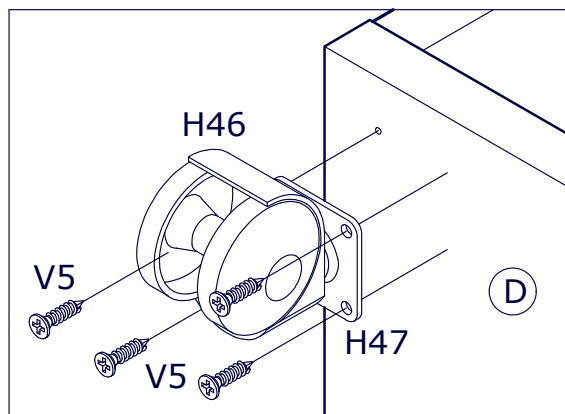
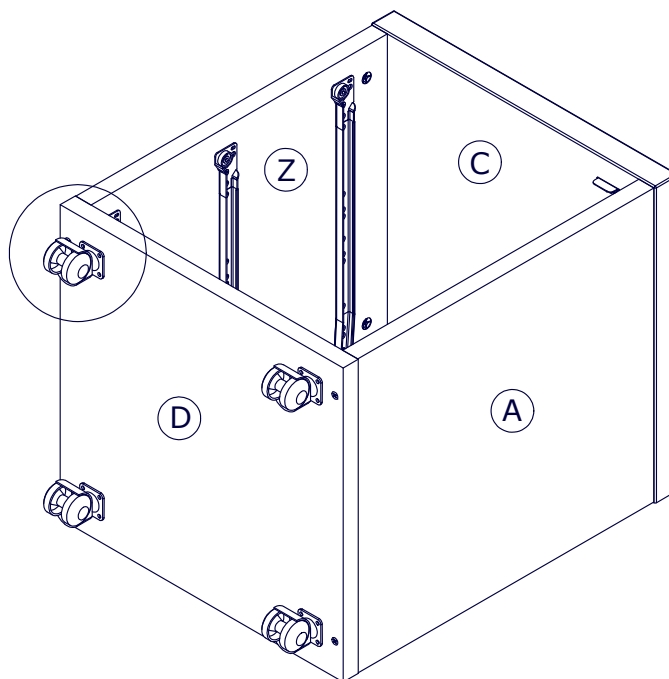
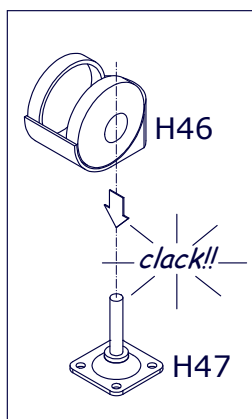
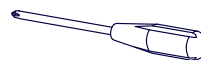
H46 x 4



H47 x 4



V5 x 16



12

V5 x 12

