

General Guidelines

- Please read the following instruction carefully and use the product accordingly.
- Please keep this manual and hand it over when you transfer the product.
- This summary may not include every detail of all variations and considered steps. Please contact us when further information and help are needed.

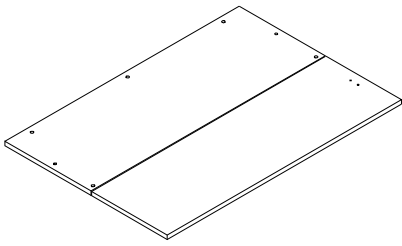
Notes

- The product is intended for indoor use only. The product must be assembled and used in accordance with the provisions of the manual. Personal injury and/or damage to product may occur if products are used outside of their intended purposes and/or if products have been changed/modified from their original design. The seller does not assume any responsibility or liability with respect to any injury/damage caused by incorrect assembly or improper use.
- Avoid long-term exposure to humid environments to prevent mildew.
- Keep the product away from fire sources and high temperatures. Do not expose the product to direct sunlight.
- Do not place any hot objects on the surface of the product.
- If there are any defective or missing parts after unpacking, please cease assembly immediately and contact us.
- Please assemble the item on a spacious surface and do not place the unwrapped product directly on the ground to avoid product damage.
- Please do not stand or sit on the wooden boards.
- Please wear gloves during the assembly and/or disassembly process to avoid scratches from any sharp edges.
- Please match the corresponding part and fitting based on the part number in the manual.
- If the part does not match with the fitting, please check the piece as specified in this manual.
- During assembly, first loosely align all screws with the corresponding pre-drilled holes and then tighten the screws one by one.
- Periodically inspect screw tightness while the product is in use. If necessary, retighten to ensure structural integrity.
- If you accidentally spill water or another liquid on the surface, immediately wipe clean with a dry towel.
- Please keep the product away from sharp, pointed objects and corrosive substances to prevent product damage.
- Please place this item on level, solid ground during use.

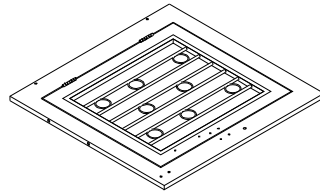
Warnings

- During assembly, keep all small parts out of the reach of children. It may be fatal if swallowed or inhaled.
- Children should not climb or play on the product in order to avoid tipping over the furniture and causing serious injury.
- To avoid the potential dangers of suffocation, please keep all parts and packaging (film, plastic bags, foam, etc.) away from babies and children.
- Keep sharp objects and corrosive items away from the product to avoid any damage or injury.
- Do not shake or move violently during use to avoid tipping over the product.

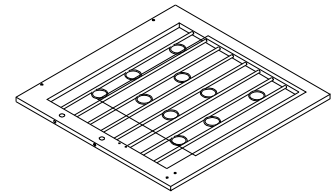
Part list



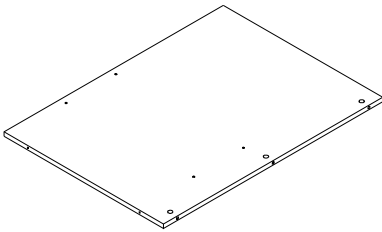
① X1



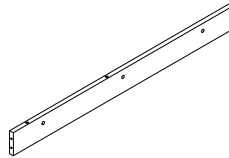
② X1



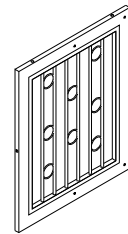
③ X1



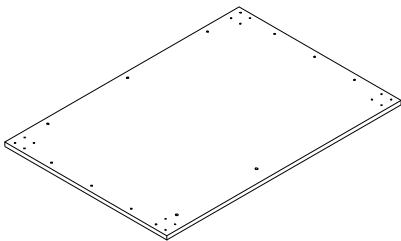
④ X1



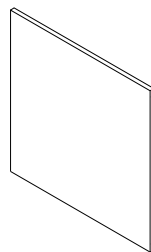
⑤ X1



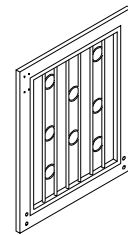
⑥ X1



⑦ X1

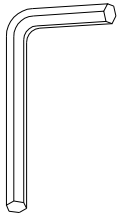


⑧ X1

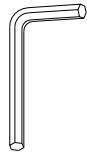


⑨ X1

Hardware list



Ⓐ X1



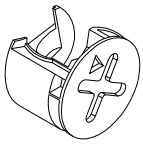
Ⓑ X1



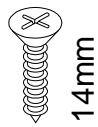
Ⓒ X24



Ⓓ X7



Ⓔ X7



Ⓕ X16



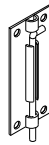
Ⓖ X22



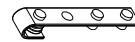
Ⓗ X3



Ⓘ X2



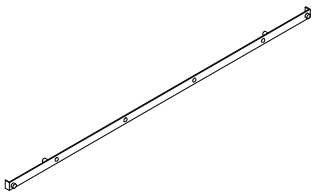
Ⓙ X1



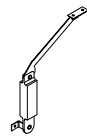
Ⓚ X2



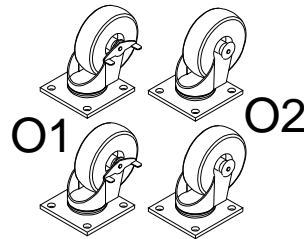
Ⓛ X2



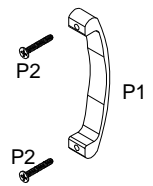
Ⓜ X1



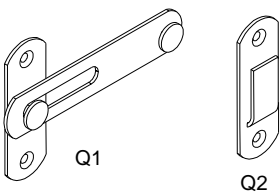
Ⓝ X1



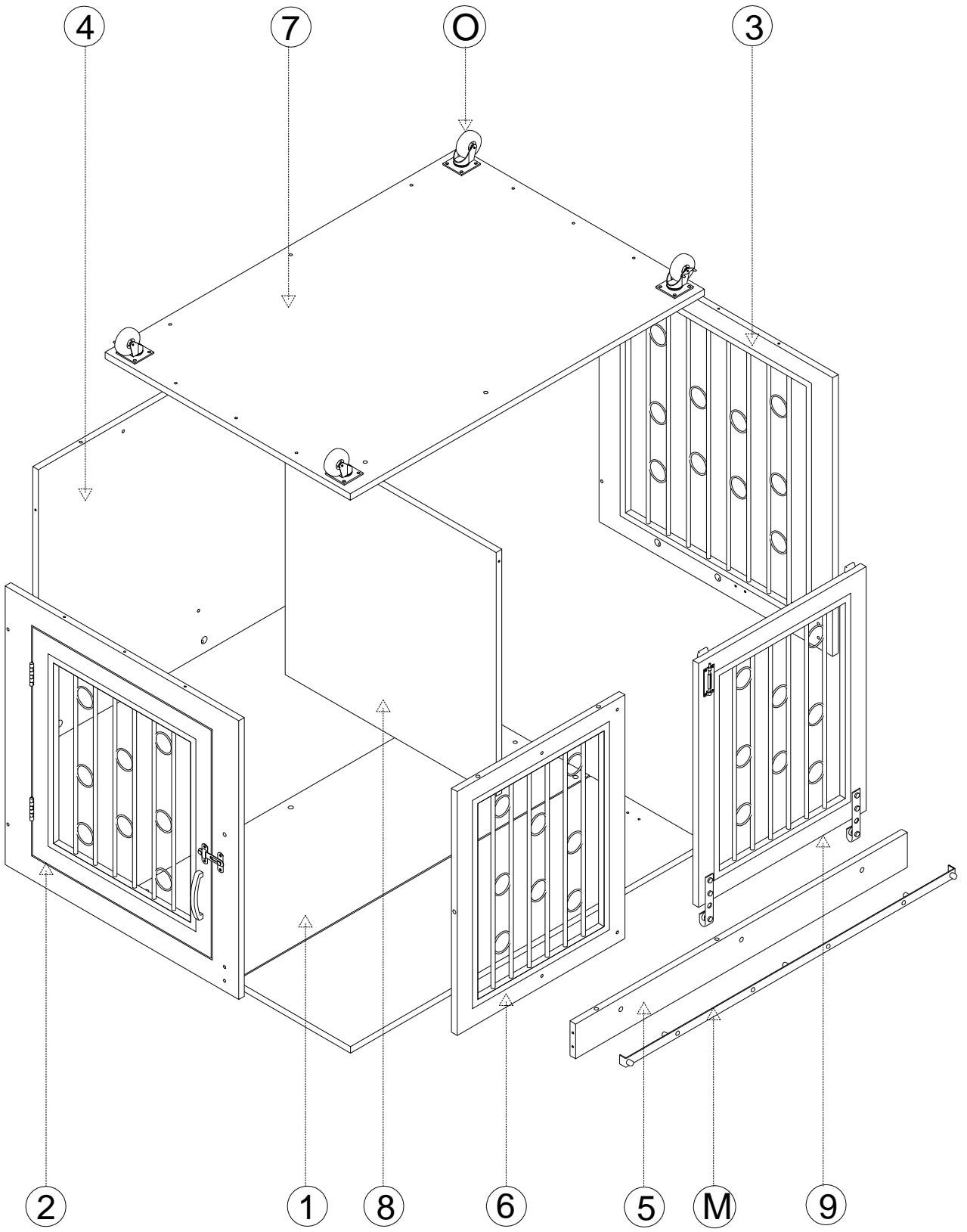
Ⓞ X1



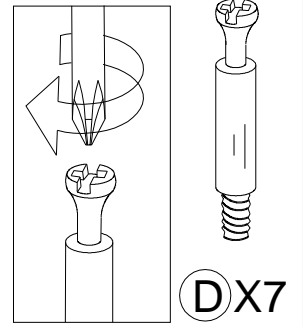
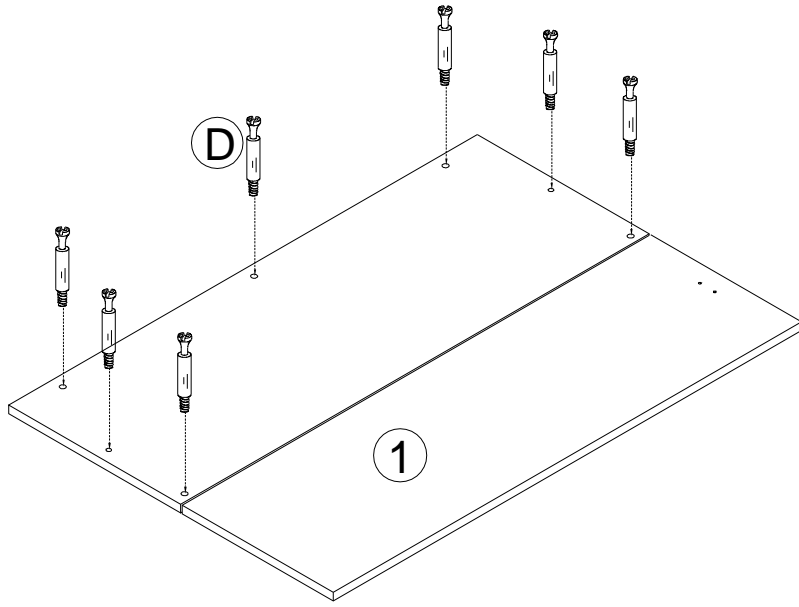
Ⓟ X1



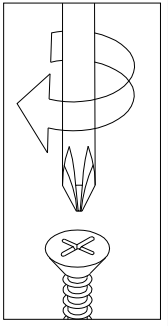
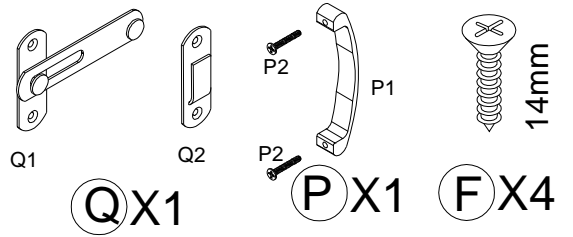
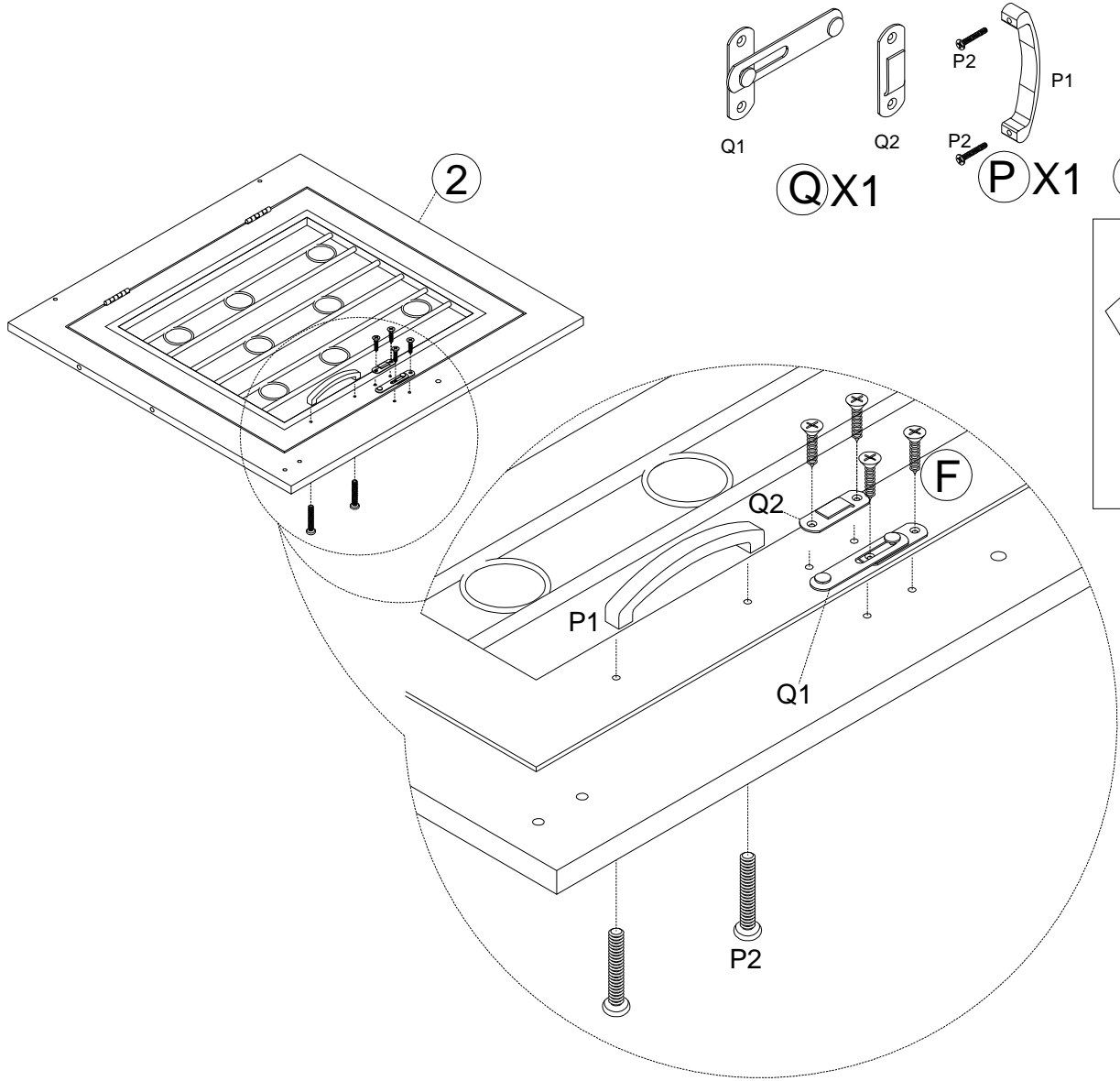
Ⓠ X1



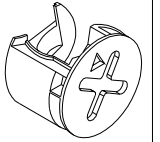
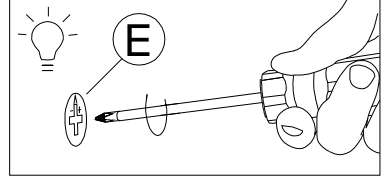
1



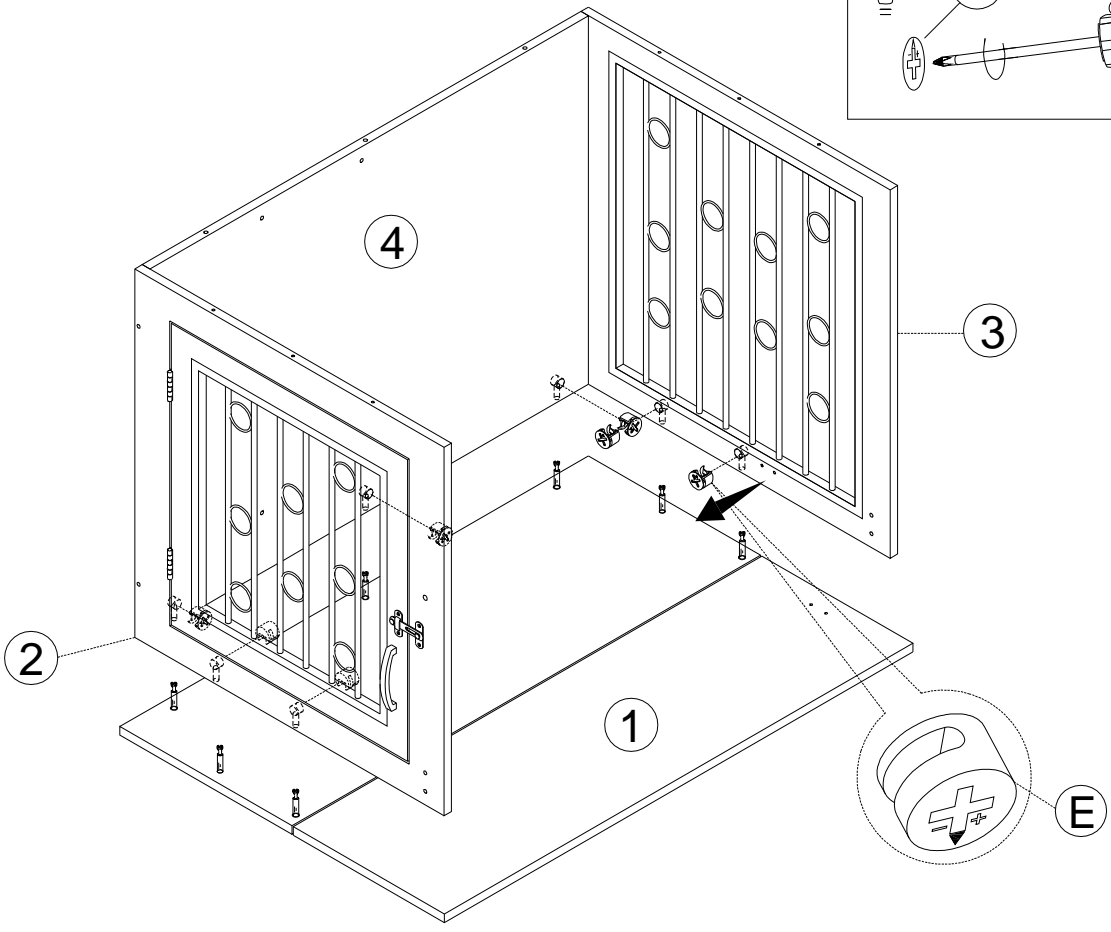
2



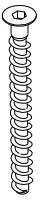
3



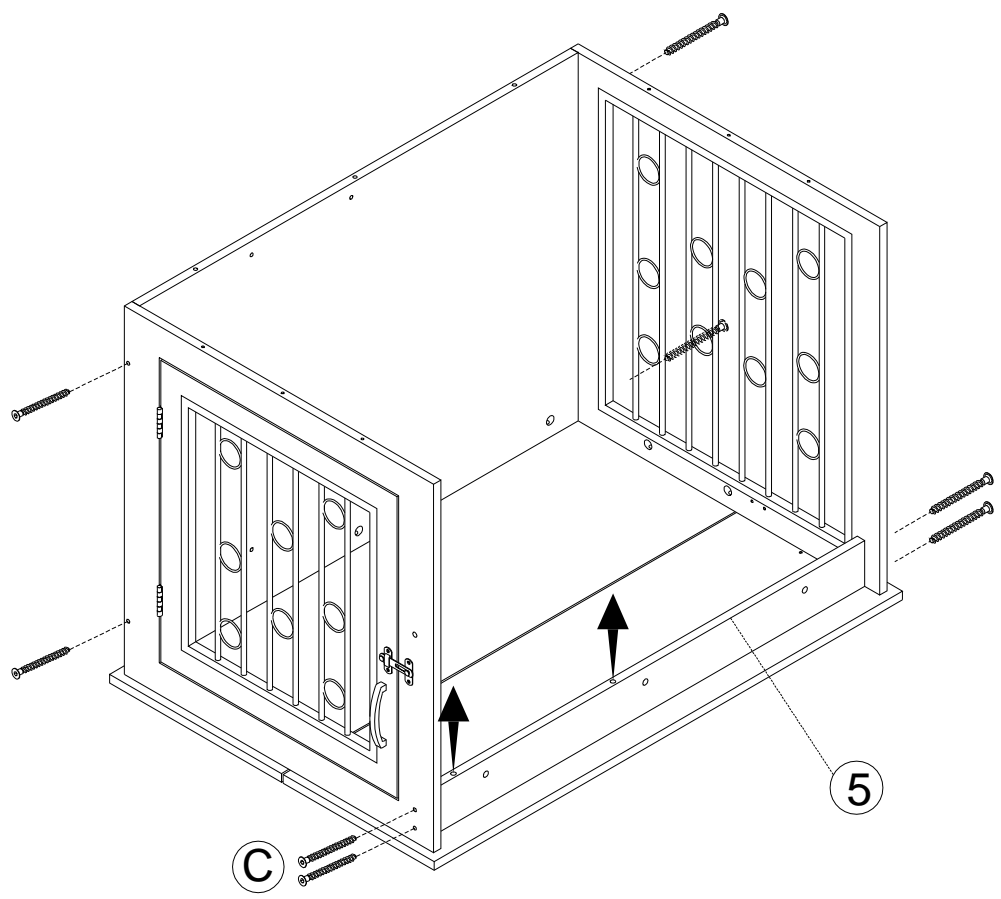
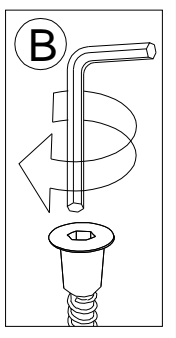
E X7



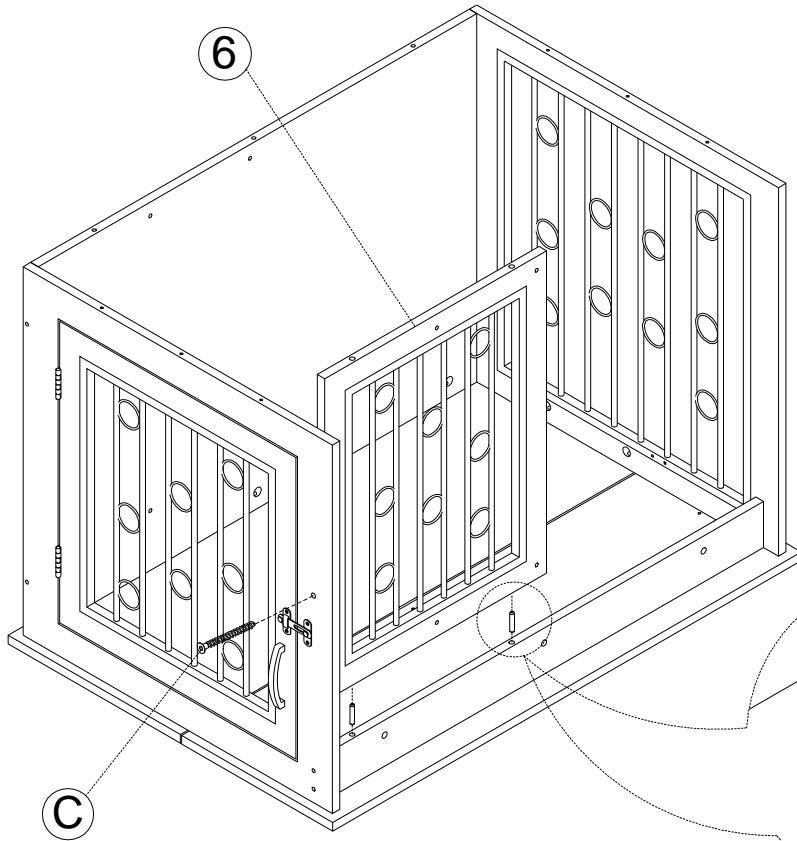
4



C X8



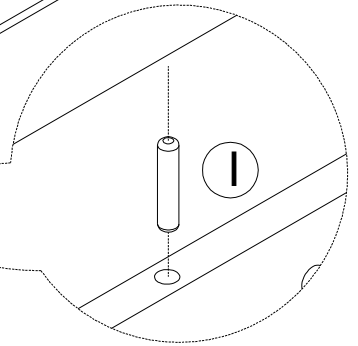
5



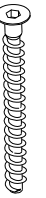
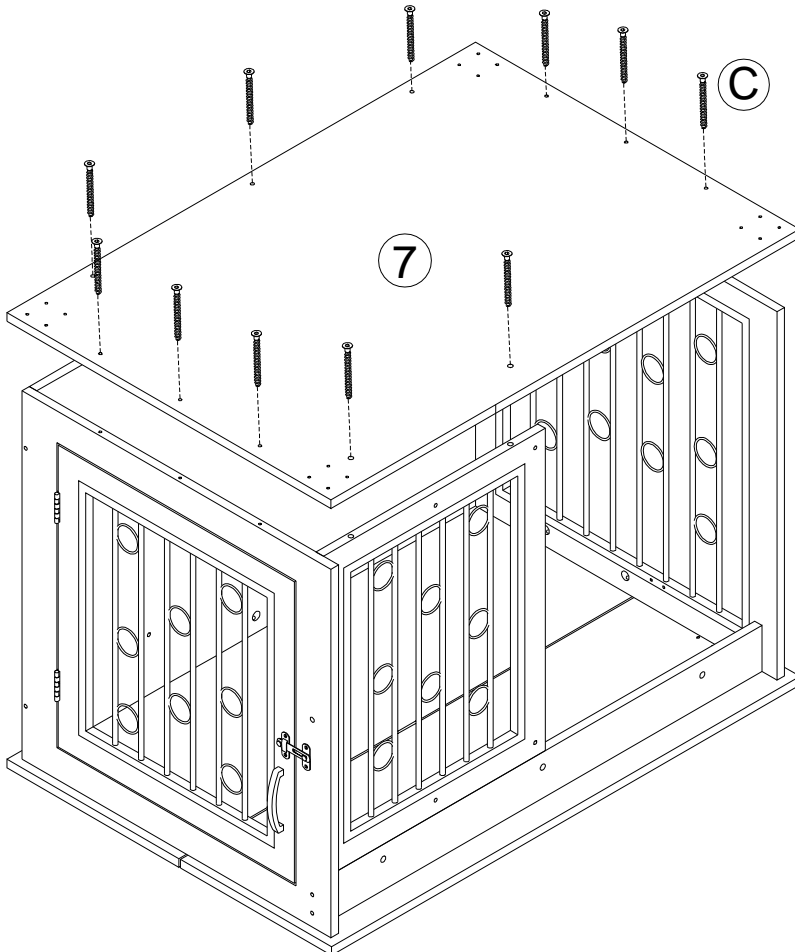
C X1



I X2

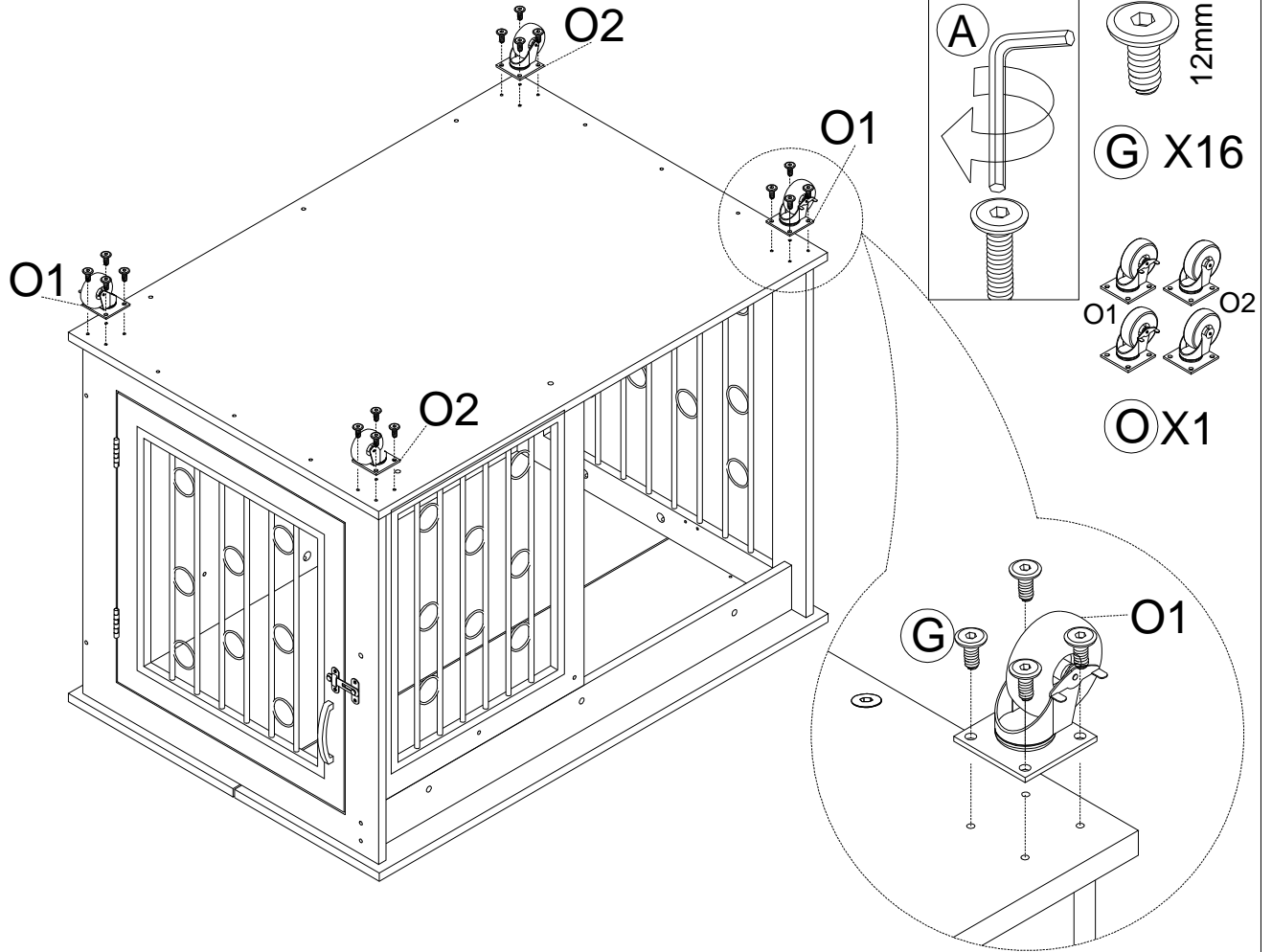


6

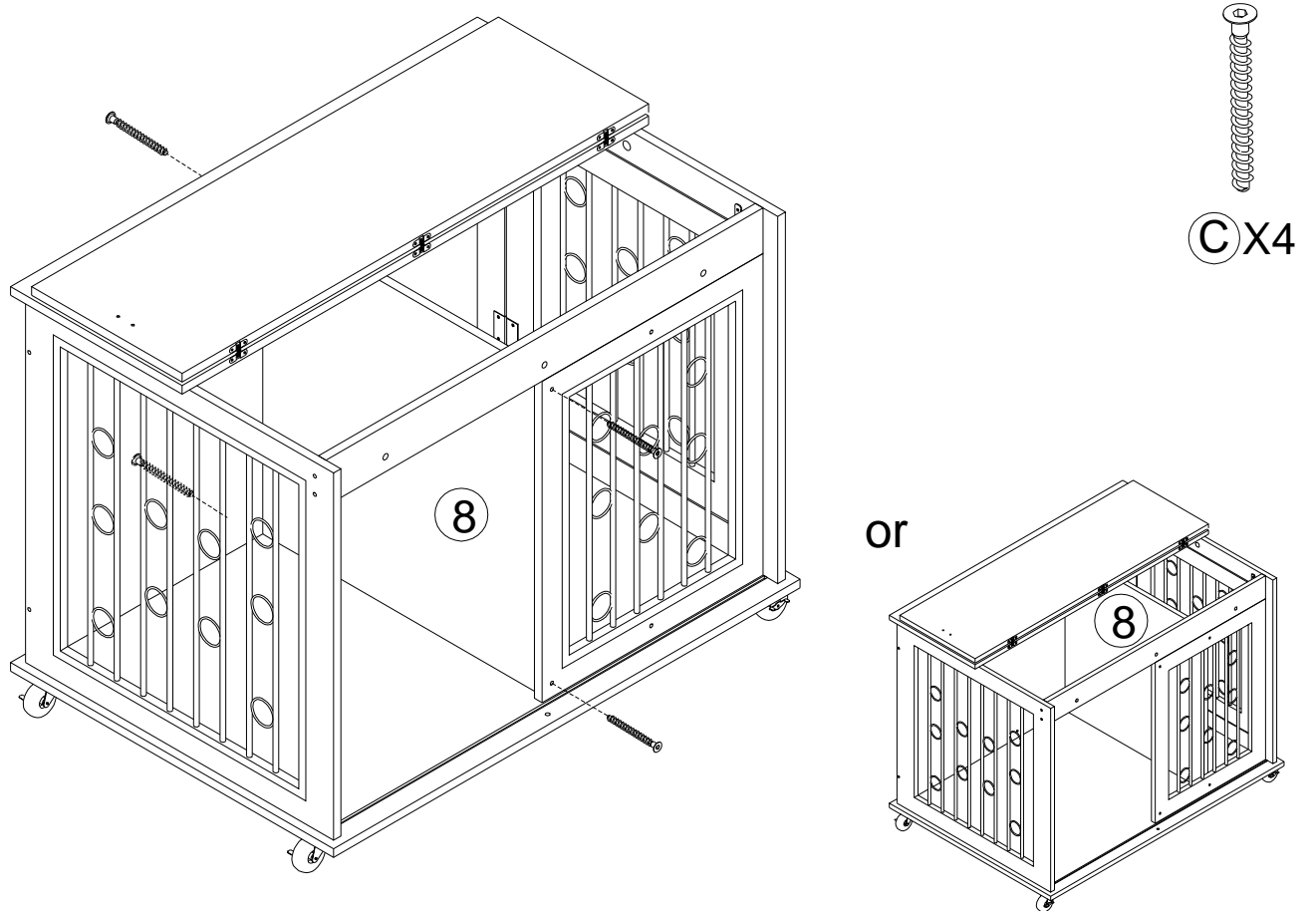


C X11

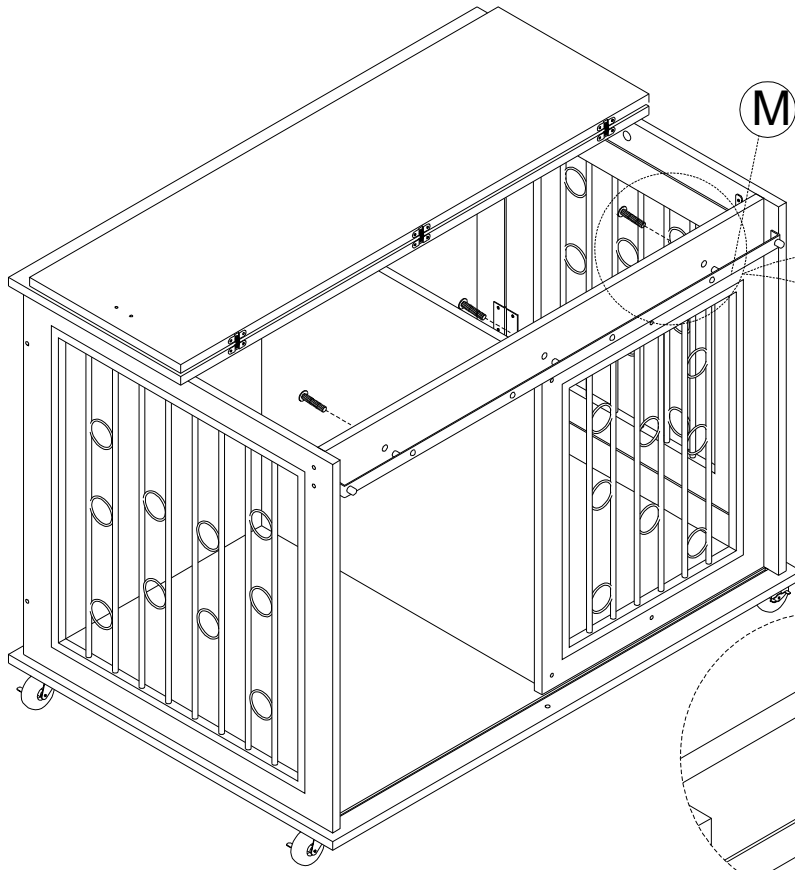
7



8



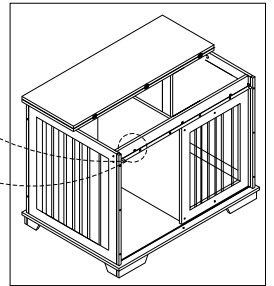
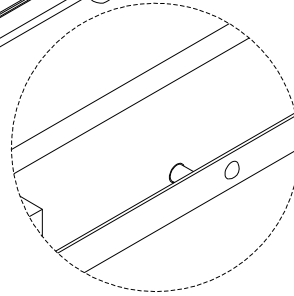
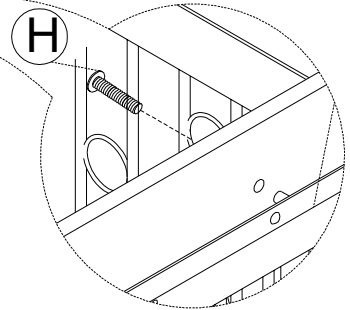
9



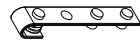
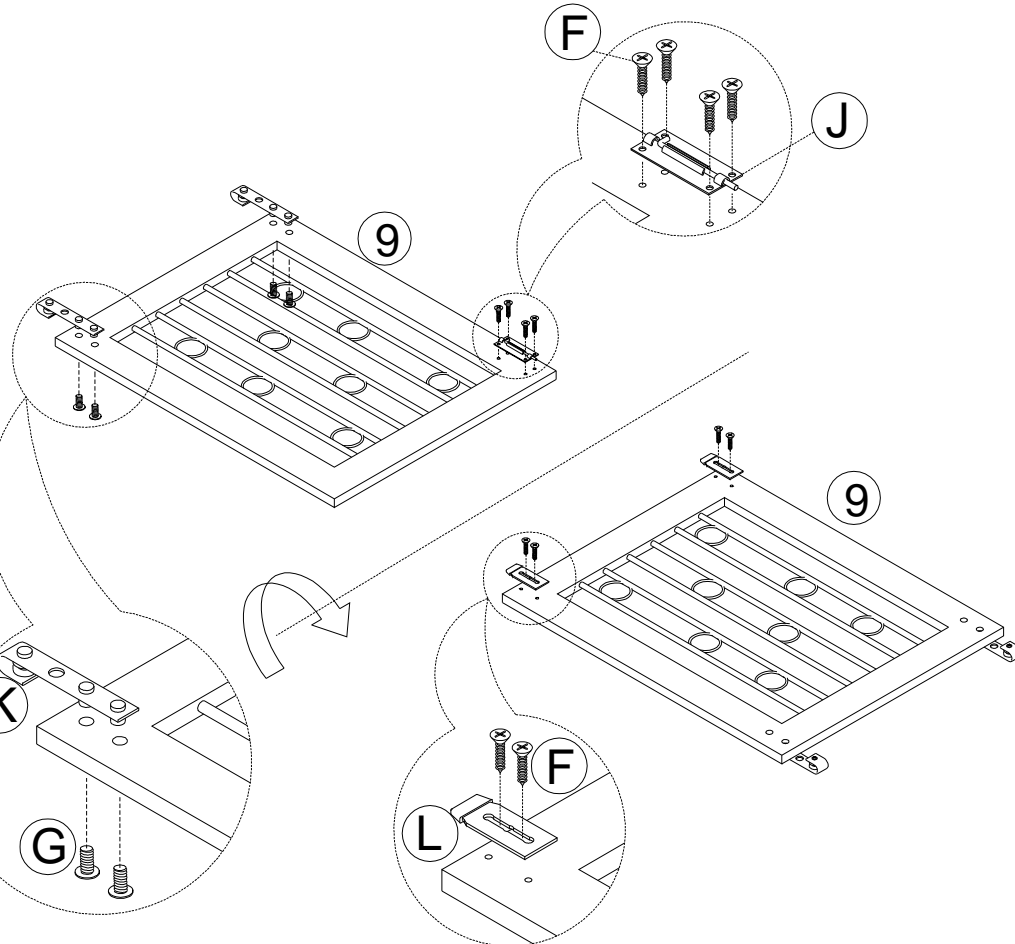
25mm

H X3

H



10



14mm

K X2

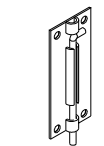
F X8



12mm

L X2

G X4



J X1

9

F

J

9

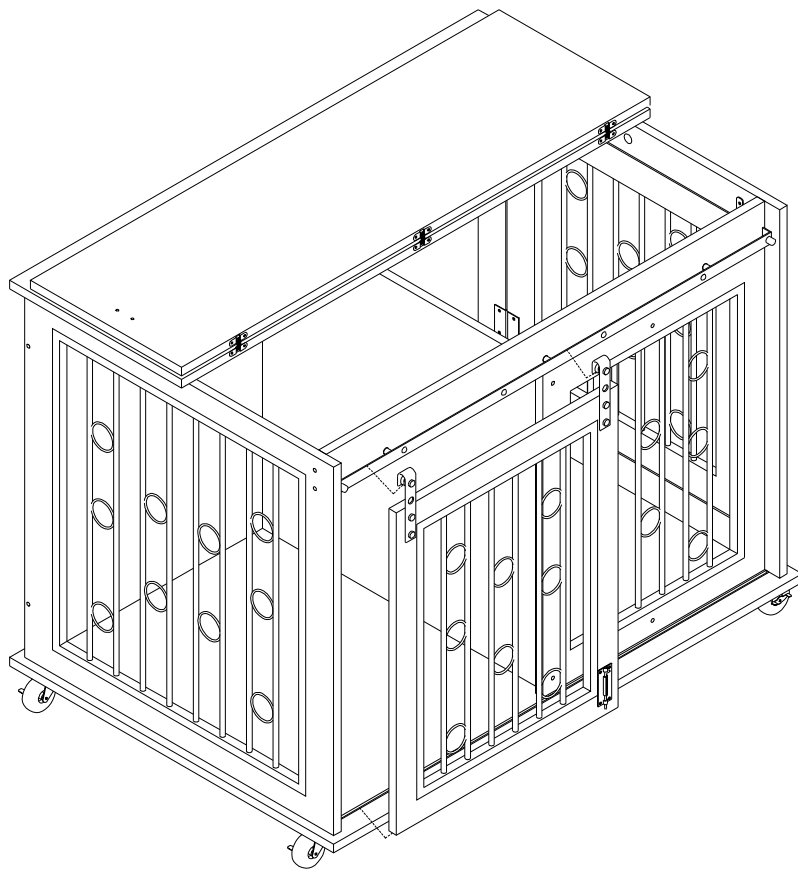
K

G

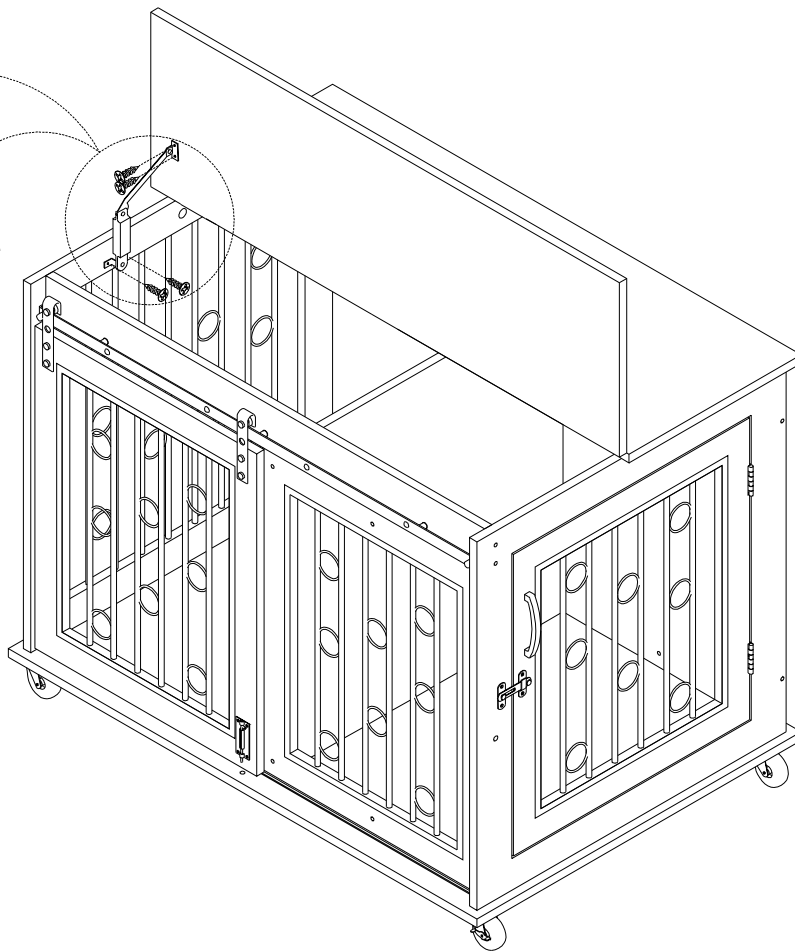
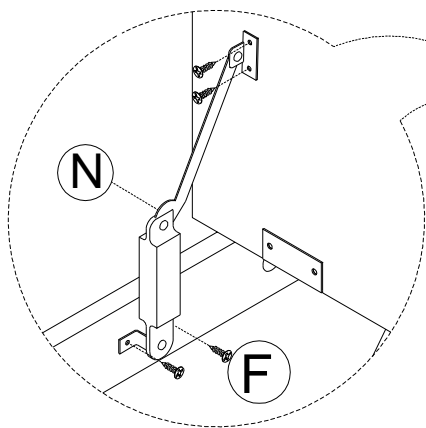
L

F

11

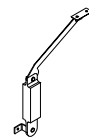


12



14mm

F X4

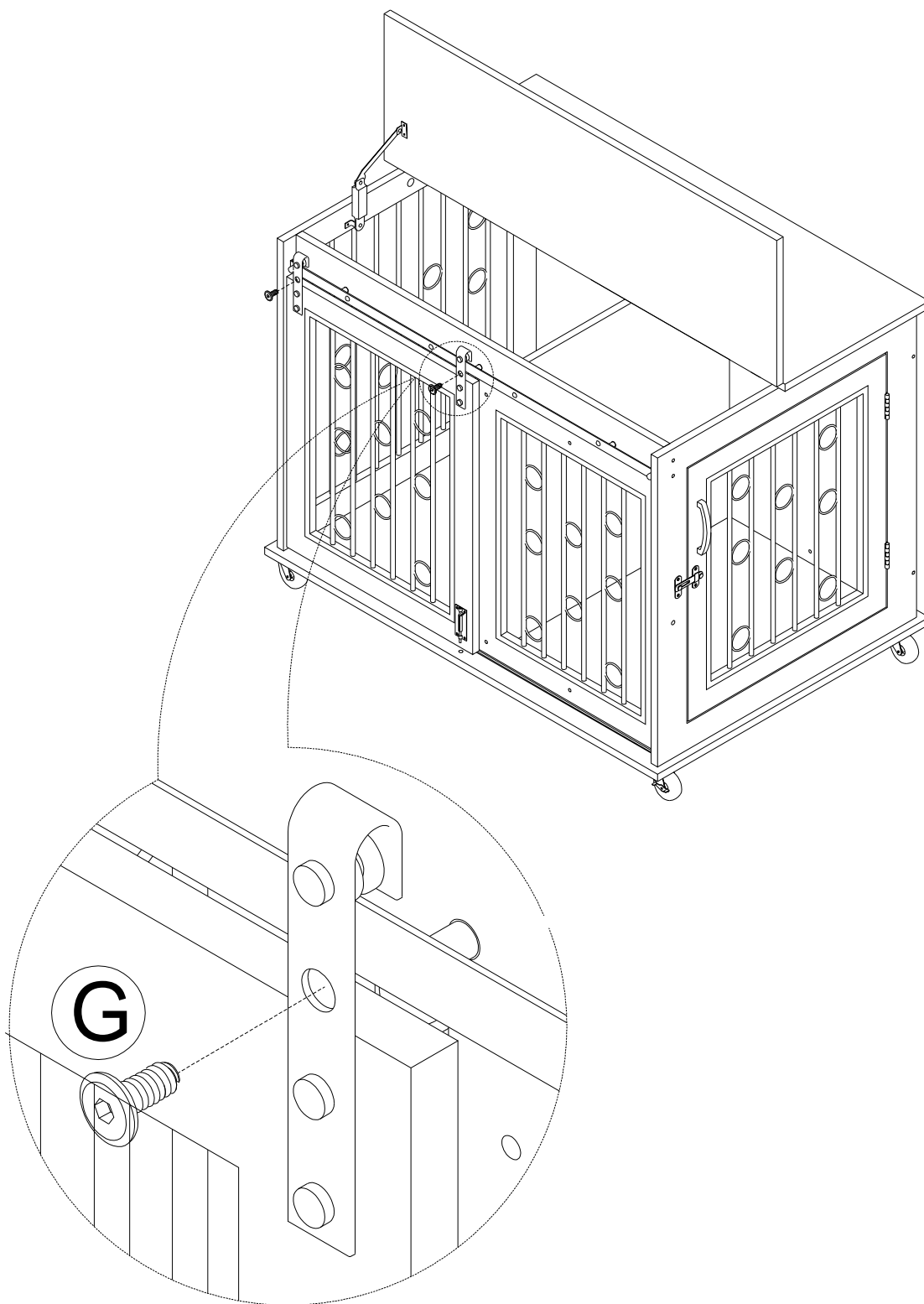


N X1

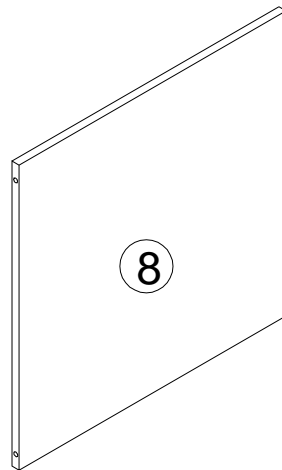
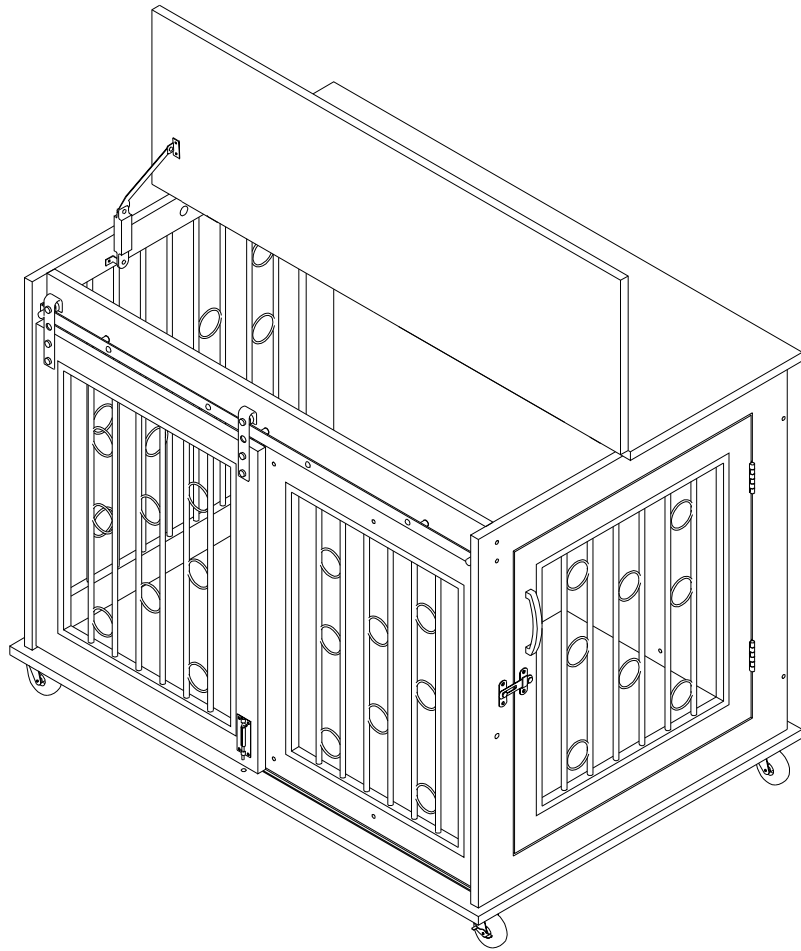
13



G X2



Notice: Please lock the screws on the sliding door to prevent the door from being opened by dogs



Part 8 is detachable