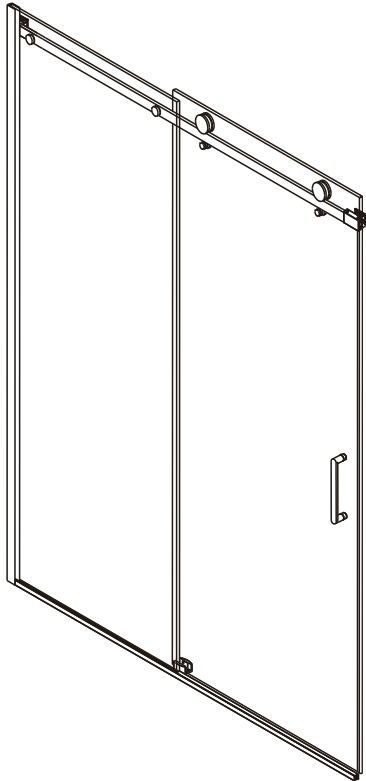


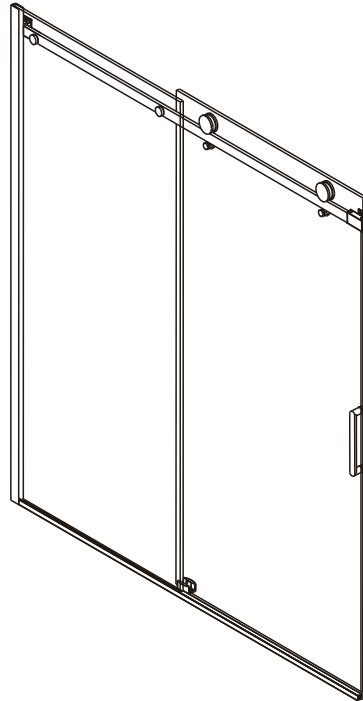
INSTALLATION INSTRUCTIONS

FOR SHOWER DOOR AND BATHTUB DOOR

TAMPA SERIES



TE-5975 SG



TE-5960 SG

CH -chrome **BN** -Brushed Nickel **MB** -Matte Black **SG** -Satin Gold

**THANK YOU FOR PURCHASING OUR PRODUCTS.
FOR IMMEDIATE HELP WITH ASSEMBLY OR
PRODUCT INFORMATION EMAIL US:**



ServiceSoutien@outlook.com

Please offer your order ID and the product model number

Our staff is ready to provide assistance M-F 8:00 AM to 5:00 PM PST

SCAN HERE

TO VIEW OUR
INSTALLATION VIDEO



◆ General Information

Inspect the product immediately upon receipt for transit damage, missing packs/parts or manufacturing fault. Damage reported later will not be accepted. Handle the product with care avoiding knocks and shock loading to all sides and edges of the glass.

◆ Notes: Safety glass can not be re-worked

Read these instructions carefully before start of installation.

Special care should be taken when drilling walls to avoid hidden pipes or electrical cables.

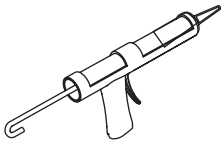
Note: This product is heavy and may require two people to install.

◆ Aftercare instructions

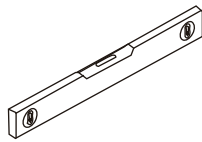
After use, your shower should be cleaned with soap and water. This is particularly important in hard water districts where insoluble lime salts maybe deposited and allowed to build up. Cleaners of a gritty or abrasive nature should not be used. Care should be taken to avoid contact with strong chemicals, they can be used but with caution, if in doubt contact the manufacturer of the cleaner in question.

Keep these instructions for aftercare and customer service details.

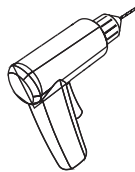
Tools Required



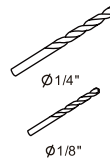
Silicone



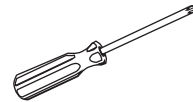
Level



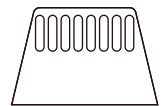
Drill



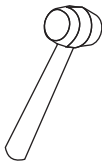
Drill Bit



Screwdriver
(Phillips)



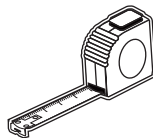
Sealant
Finishing Tool



Mallet



Pencil



Tape Measurer



Allen Wrenches



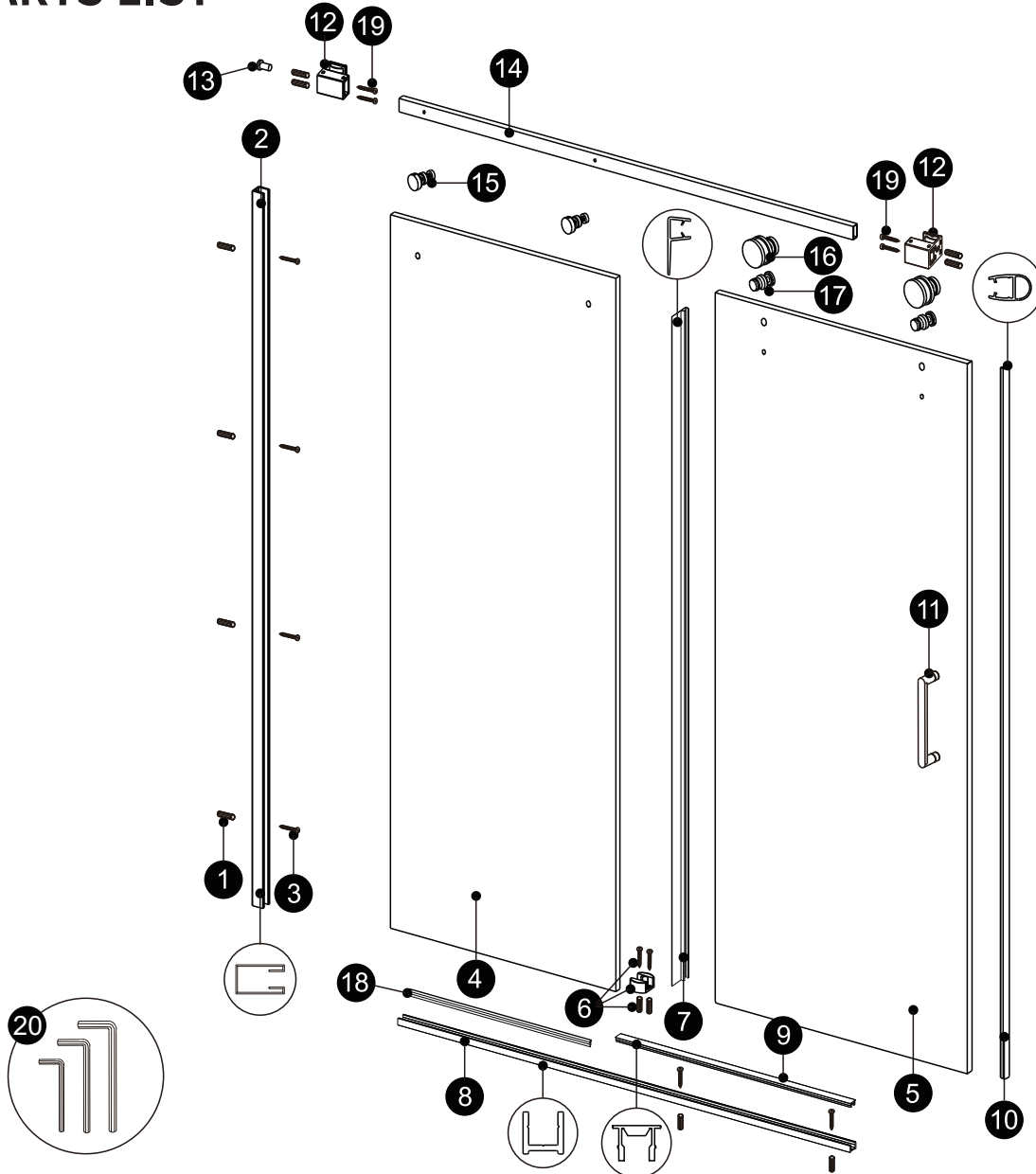
Painters
Tape

Tips: Measure the finished opening before proceeding with the installation to be sure that the correct model size has been ordered.

Note: These instructions will show the installation of the shower door. Please follow the same steps for the installation of the tub door.




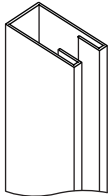

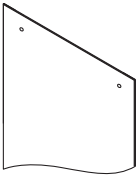
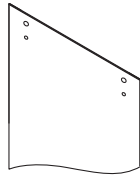
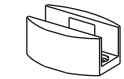
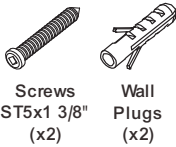

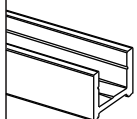
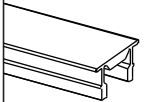

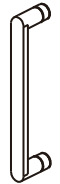
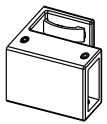

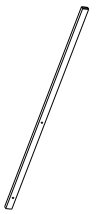



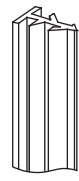
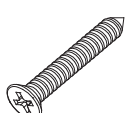
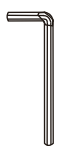
PARTS LIST



PACKING LIST

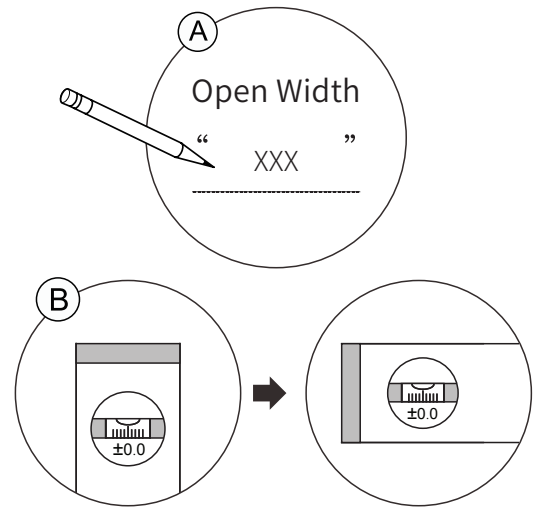
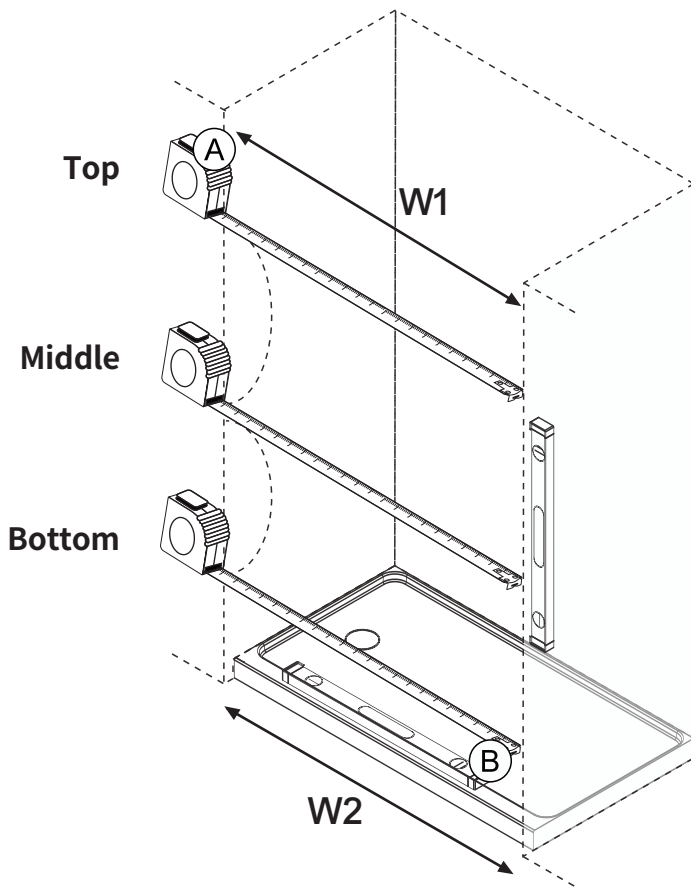


Keep small parts away from children

Wall Plugs  1 10 PCS	Wall Jambs  2 1 PC	Screw ST4x1 3/8"-A  3 6 PCS	Fixed Panel  4 1 PC	Door Panel  5 1 PC	Bottom Guide (x1)   6	Door Seal "F"  7 1 PC	Bottom U Channel  8 1 PC	Cover Strip Profile  9 1 PC		
Door Seal "D"  10 1 PC	Handle  11 1 PC	Rail Bracket Assembly  12 2 PCS	5/8" Plastic Bumper  13 1 PC	Top Rail  14 1 PC	Fixed Glass Support Assembly  15 2 PCS	Roller  16 2 PCS	Lock in Knob Sets  17 2 PCS	Door Gasket Strip  18 1 PC	Screw ST4x1 3/8"-B  19 4 PCS	Allen Wrench  20 3 PCS


INSTALLATION STEPS

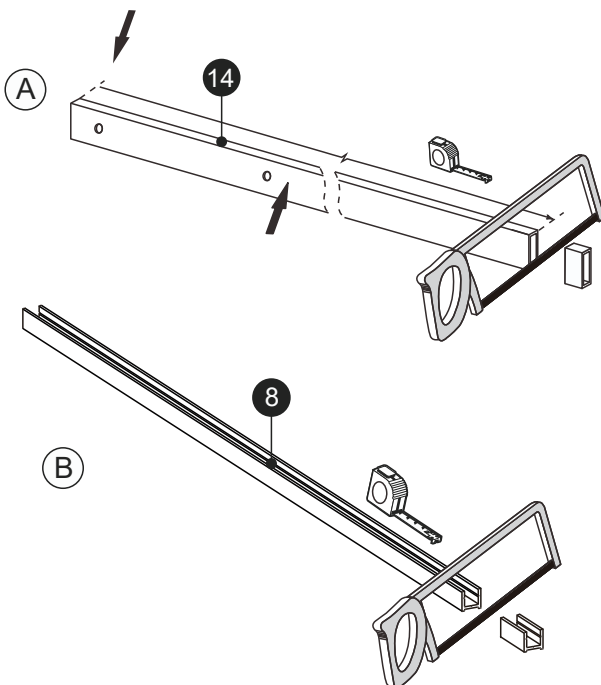
STEP 1-Measurement




1. Check the threshold for level and the walls for plumb.
2. Measure the finished opening width at the top (at the model height) and bottom. Use these dimensions as "W1" (top dimensions) and "W2" (bottom dimensions).

3. If width of your wall-to-wall opening is equal to the size of your shower model, it is unnecessary to cut the rails and you can continue to next step. If width of your wall-to-wall opening is less than the size of your shower model, you will need to cut the bottom rail and the top rail.

 When cutting top rail, cut off from the end without the hole.



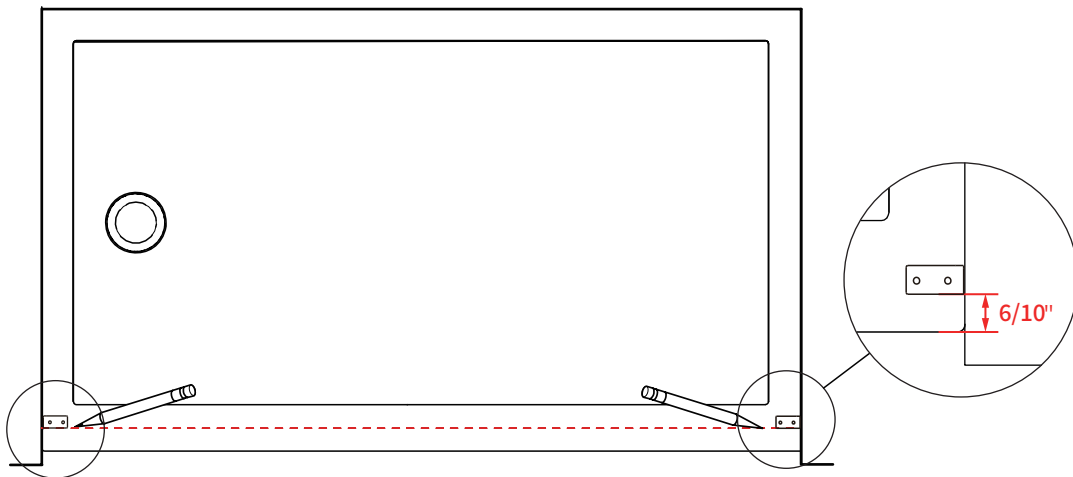
IMPORTANT:
Do not cut the top and bottom rails the same length.

 **Note:** Stainless steel top rail can be trimmed up to 2" for width adjustment. If installation opening is smaller, the overlap of two glass panel is bigger, and the entrance size is reduced accordingly.

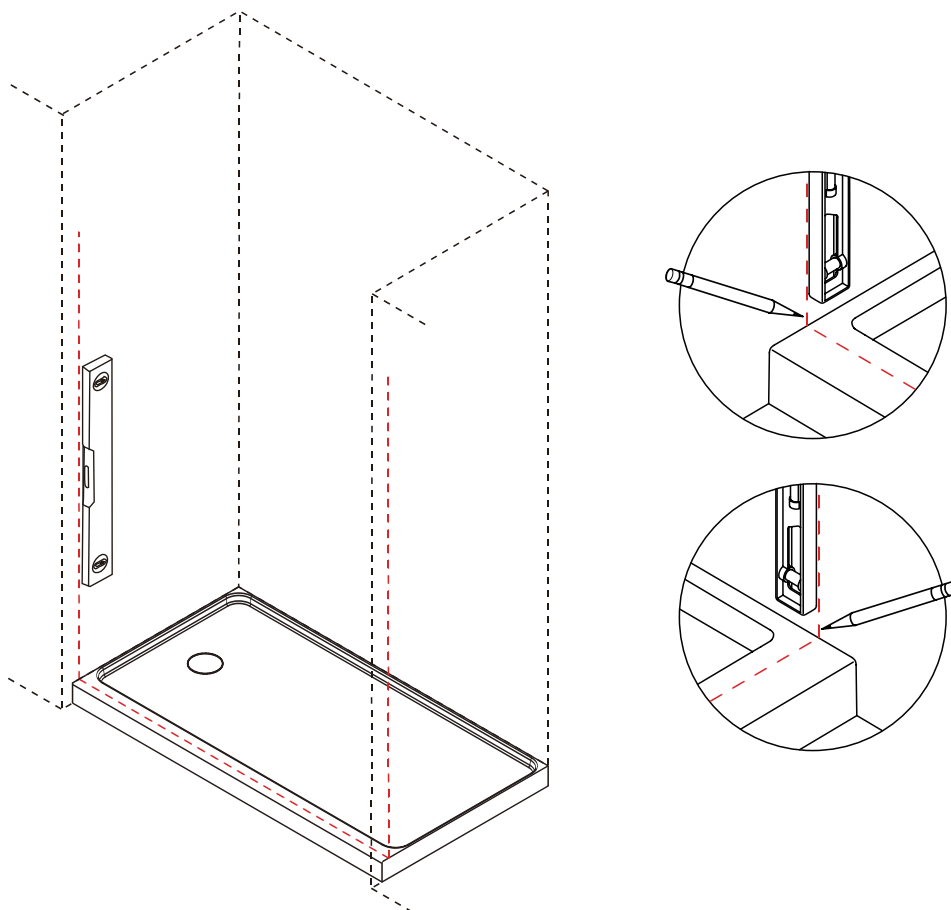
INSTALLATION STEPS

STEP 2-Mark the Position

Using a pencil, mark the Bottom Channel install locations and the vertical position of the two walls.

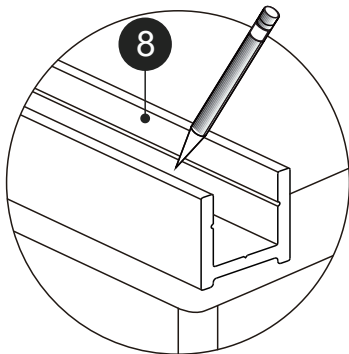
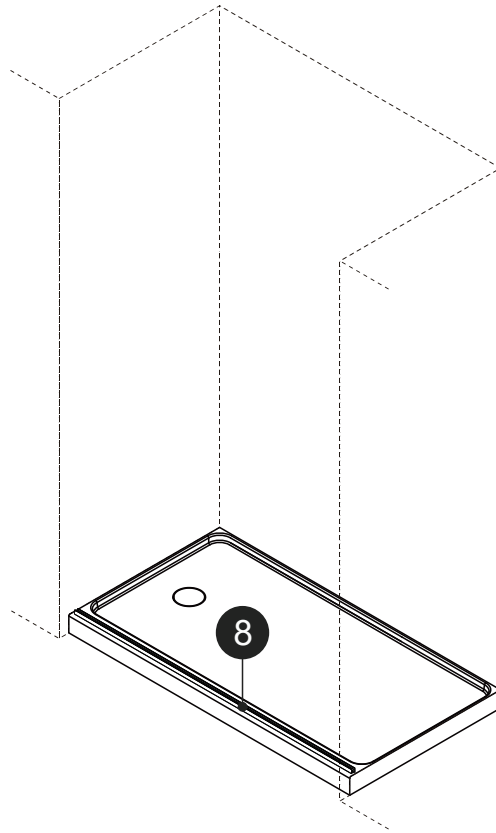


! IMPORTANT: Allow approximately 6/10" distance between the edge of the bottom channel and the flat.

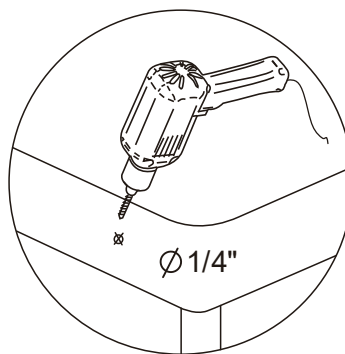


INSTALLATION STEPS

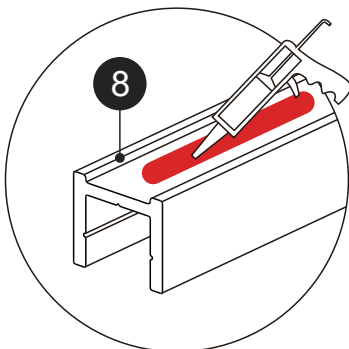
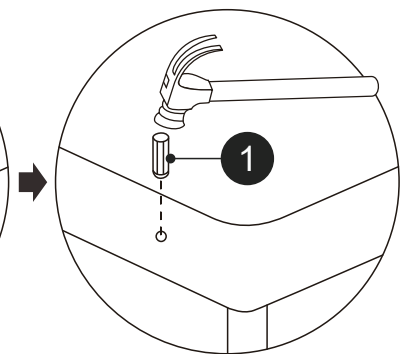
STEP 3-Install Bottom Channel



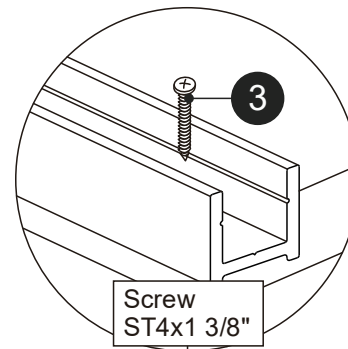
1. Place the **Bottom U Channel(#8)** on the line marked in step 2, mark the drill locations.



2. Remove Bottom U Channel, Drill Ø1/4" holes into the wall through marked positions and insert **Wall Plugs(#1)**.



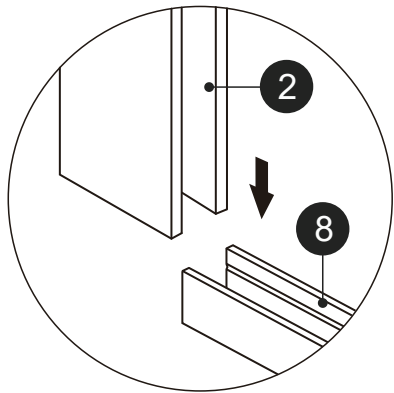
3. Apply silicone at the bottom of the **Bottom U Channel(#8)** before installing.



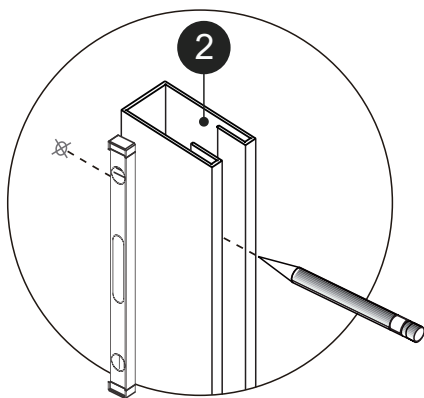
4. Install and secure it by **Screws ST4x1 3/8" (#3)**.

INSTALLATION STEPS

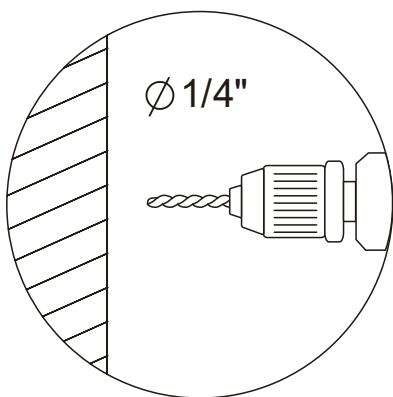
STEP 4-Install Wall Jamb/Fixed Panel



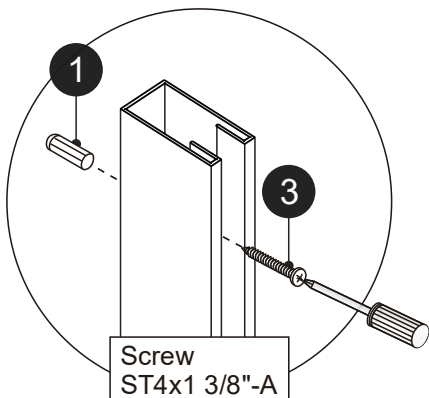
1. Place the **Wall Jamb (#2)** to the **Bottom U Channel(#8)**.



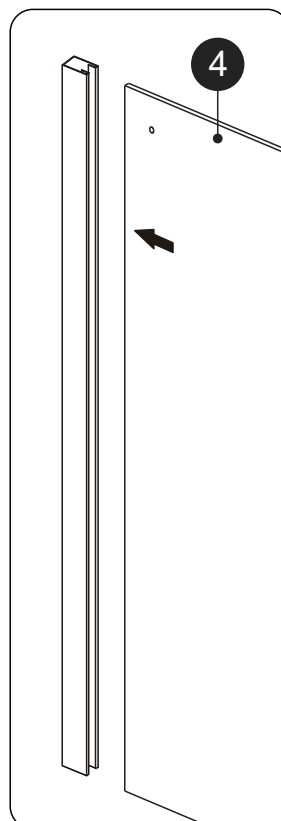
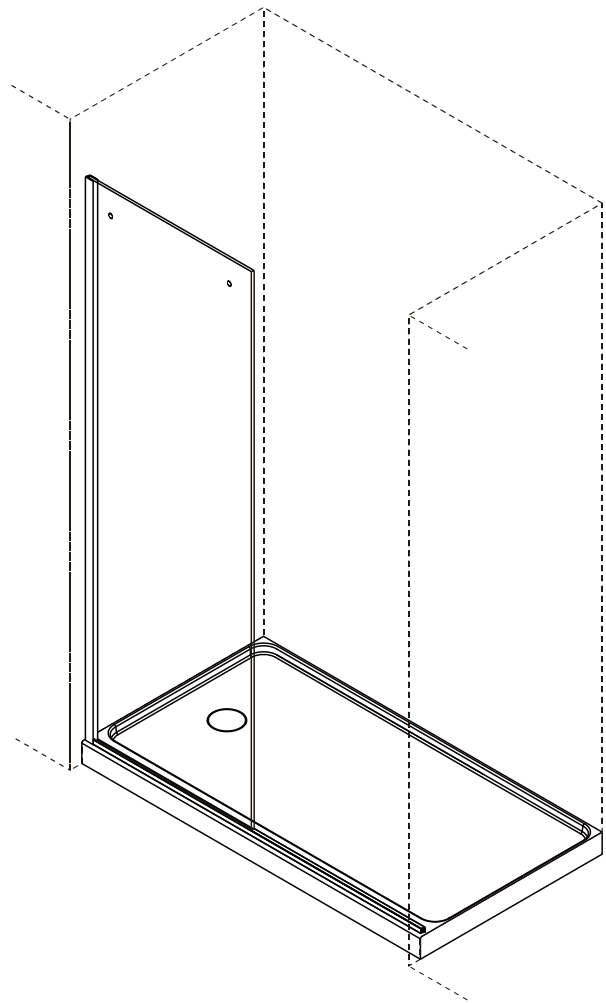
1. Make sure **Wall Jamb (#2)** is plumb. Mark the locations to the pre-drilled hole of the wall jamb.



3. Use 1/4" drill bit for drilling needed holes.



4. Mounting the **Wall Jamb (#2)** with the **Wall Plug (#1)** and **Screw ST4x1 3/8" (#3)**.

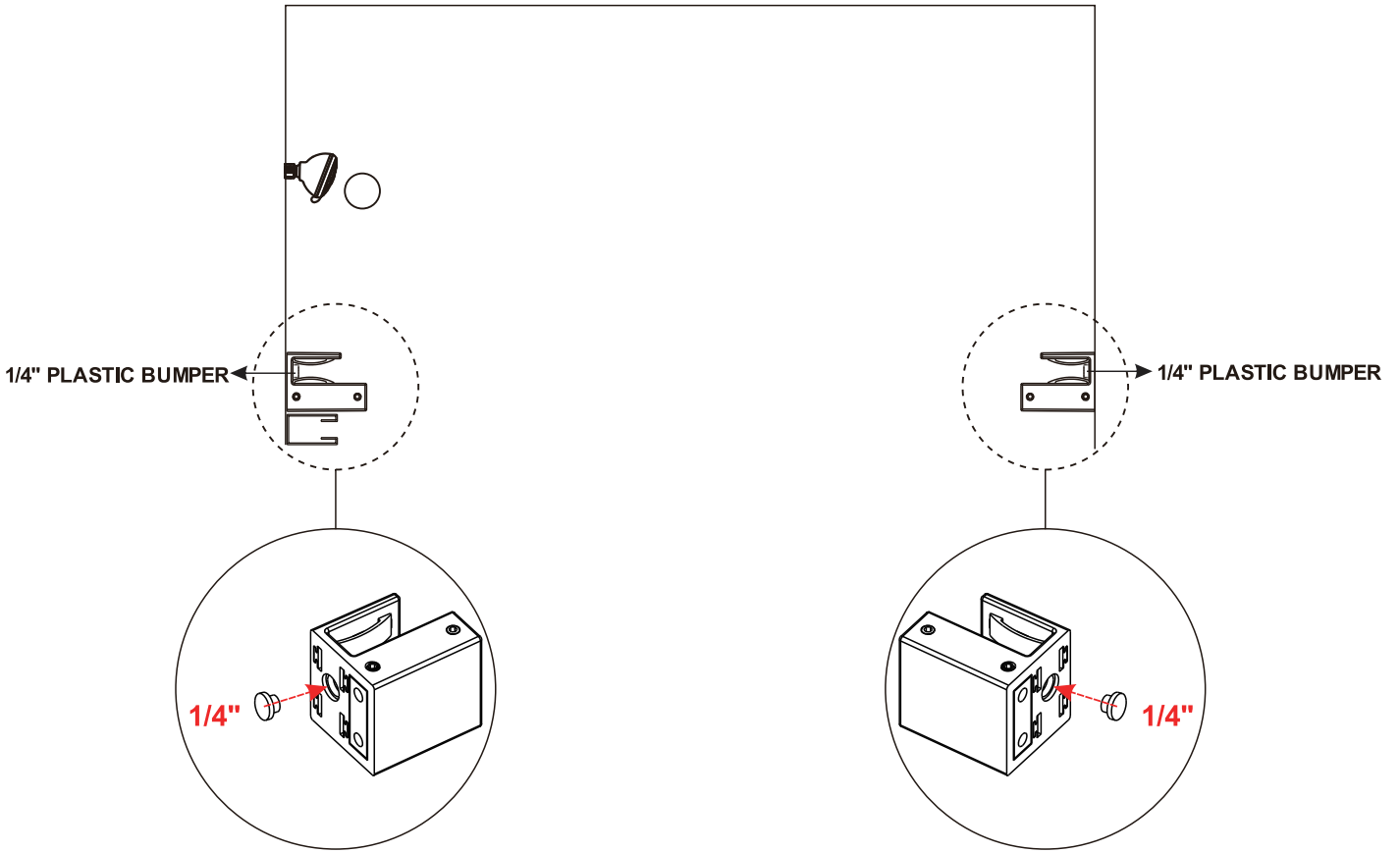


5. Install the **Fixed Panel (#4)** into the **Wall Jamb (#2)** to the **Bottom U Channel (#8)**.

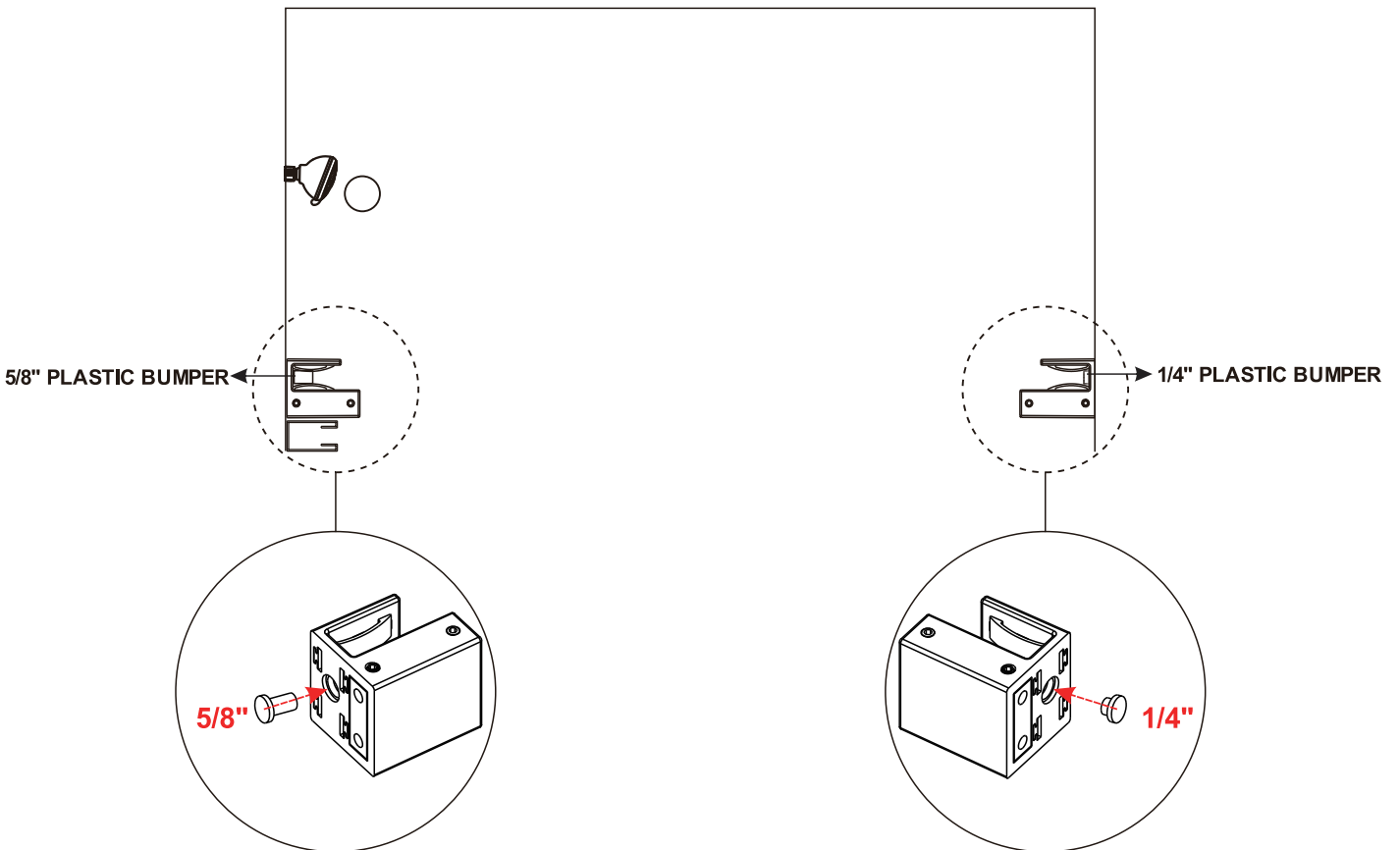
INSTALLATION STEPS

STEP 5

A: Installation size width less than 59", use 1/4" plastic bumper as shown.

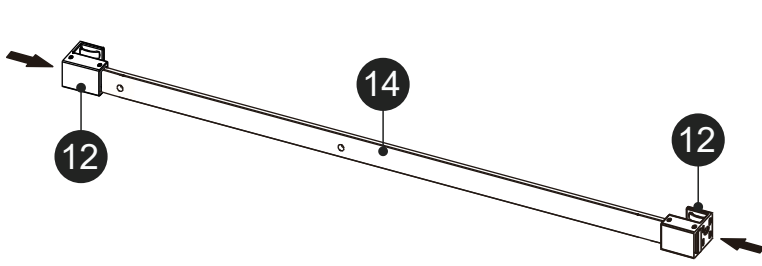


B: Installation size up to 59", use 5/8" plastic bumper on fixed panel side as shown.



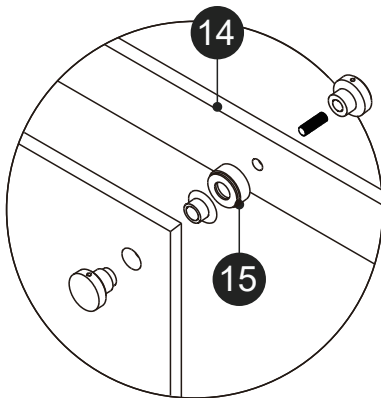
INSTALLATION STEPS

STEP 6-Mark the Top Rail Installation Location

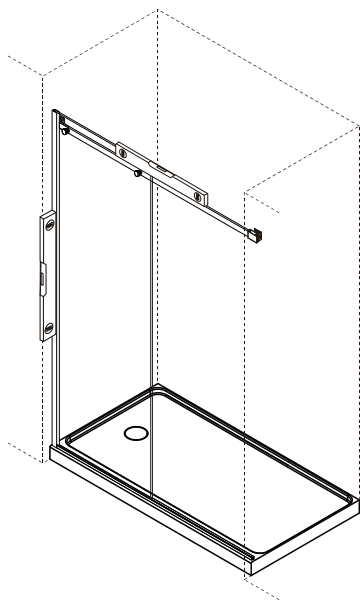
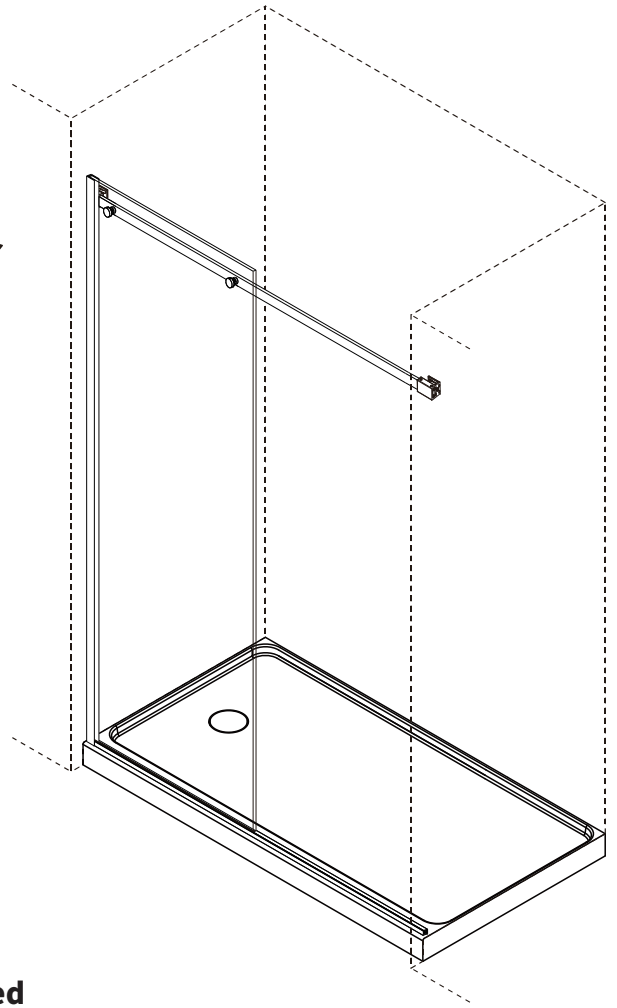


1. Slide 2 **Rail Bracket Assemblies (#12)** on to end of **Top Rail (#14)** to be connected to the shower wall.

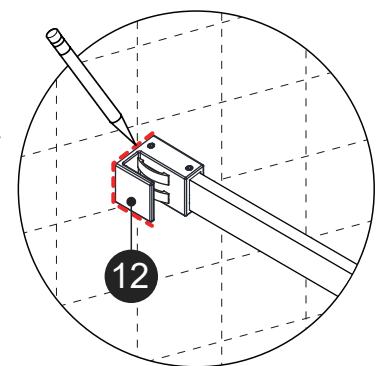
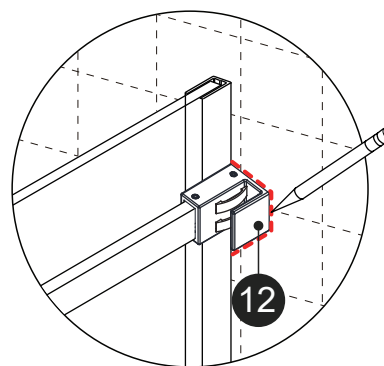
NOTE: Please pay attention to the wall mounting direction, the bumper clip part facing inwards as shown.



2. Connect the **Top Rail (#14)** to the inside of the **Fixed Panel (#4)**, using the **Fixed Glass Support Assembly (#15)**. Use provided allen wrench to hand tighten.



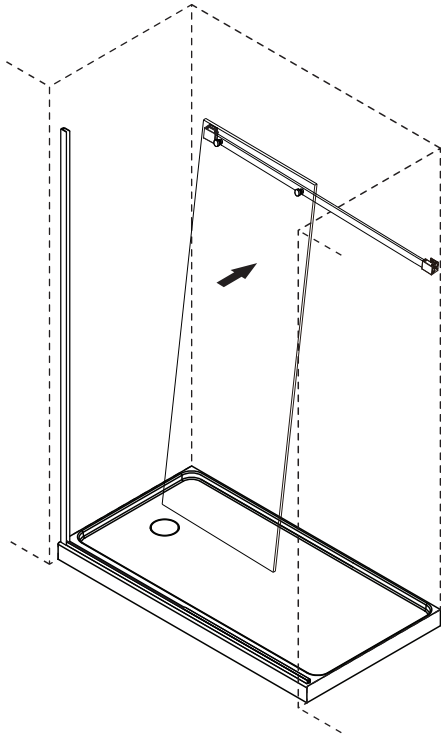
3. Using a level, verify the **Top Rail (#14)** is horizontal and the **Fixed Panel (#4)** is plumb.



4. Using a pencil, mark the **Rail Bracket Assemblies (#12)** location onto the wall.

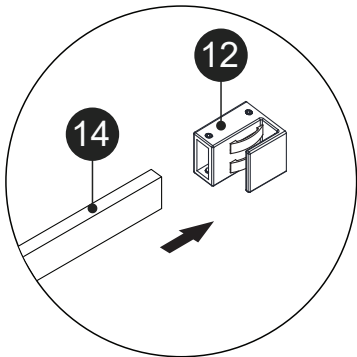
INSTALLATION STEPS

STEP 6-Mark the Top Rail Installation Location

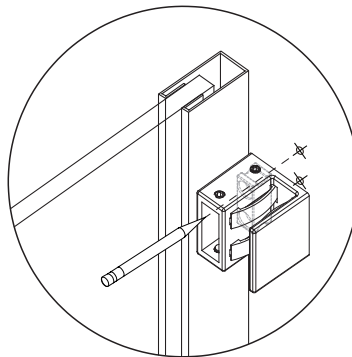


5. Move out the **Top Rail (#14)** and **Fixed Panel (#4)**.

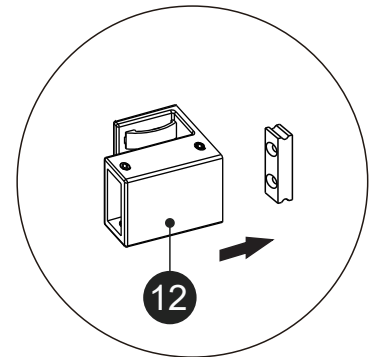
WARNING: Glass is very **HEAVY**. It is recommended that this door be installed by professionals with a minimum of two installers.



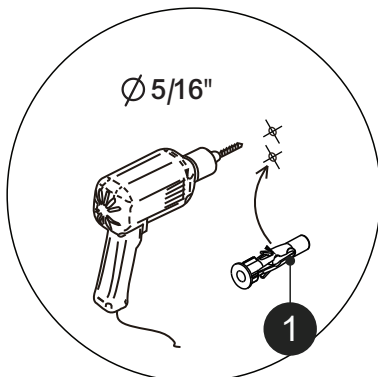
6. Slide out both side **Rail Bracket Assemblys (#12)**.



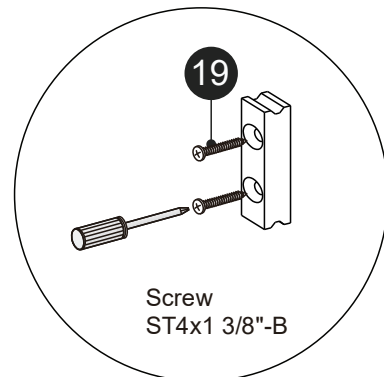
7. Place the **Rail Bracket Assemblys (#12)** on the marking in step 6, mark the 2 drill locations by pencil.



8. Remove Wall Mounts from **Rail Bracket Assemblys (#12)**.



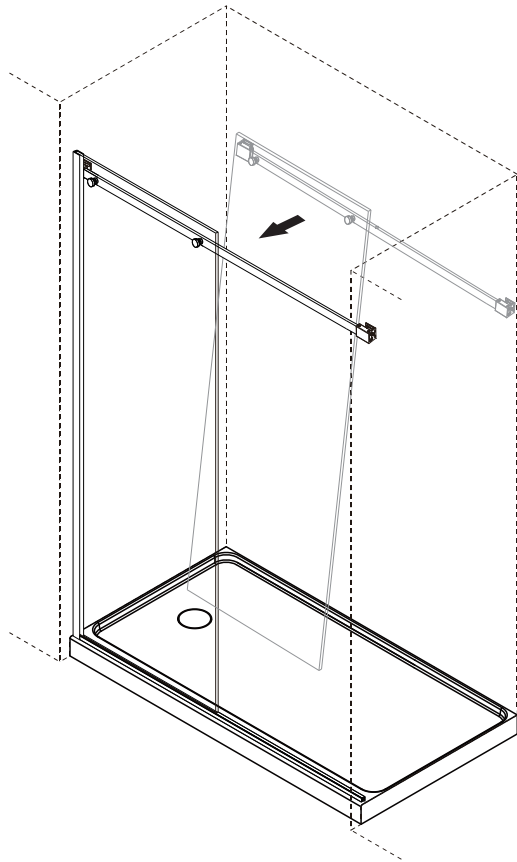
9. Drill $\text{Ø}5/16''$ holes into the wall through marked positions and insert **Wall Plugs (#1)**.



10. Attached Wall Mount to wall using **ST5x1 3/8'' screw**. Repeat the installation of Wall Mount for the other side.

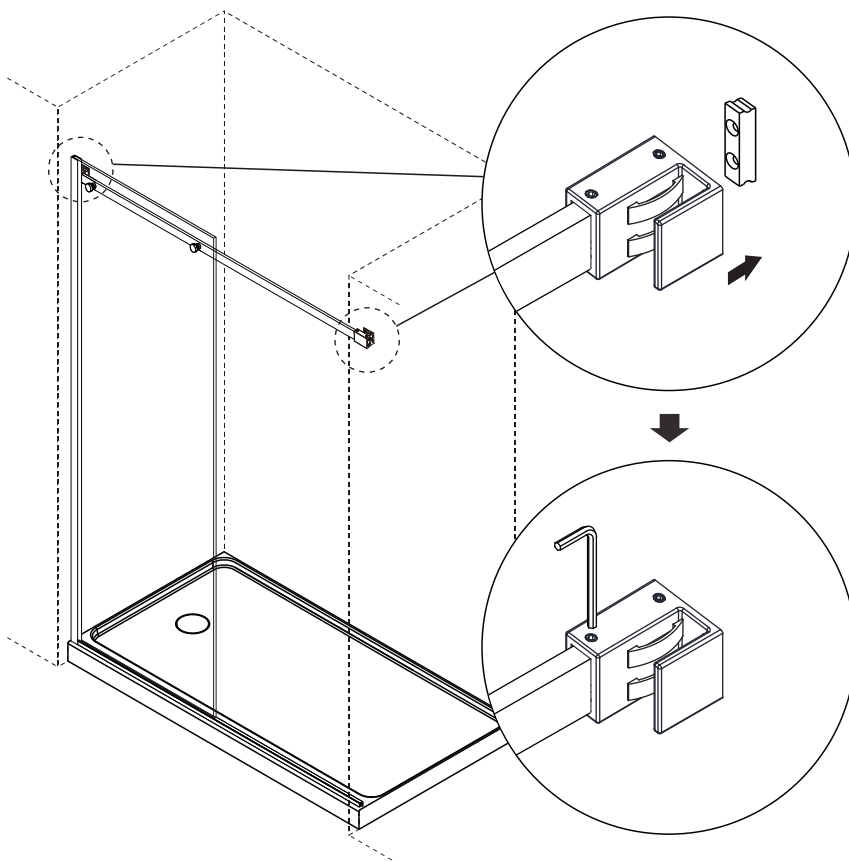
INSTALLATION STEPS

STEP 7-Install Top Rail



1. Install the **Top Rail (#14)** and **Fixed Panel (#4)** back on the **Wall Jamb(#2)** and **Bottom U Channel(#8)**.

WARNING: Glass is very **HEAVY**. It is recommended that this door be installed by professionals with a minimum of two installers.

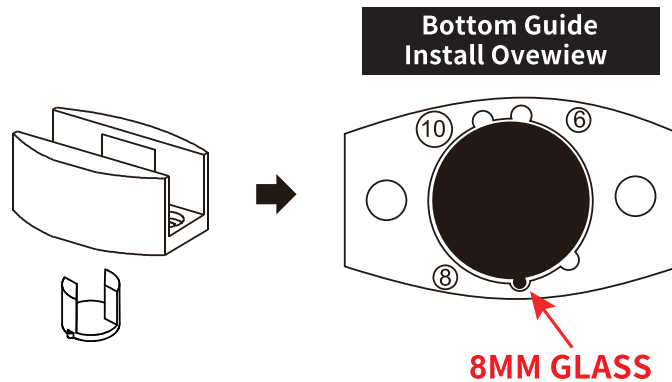


2. Slide 2 **Rail Brackets (#12)** on to end of **Top Rail (#14)** to be connected to the Wall Mount.

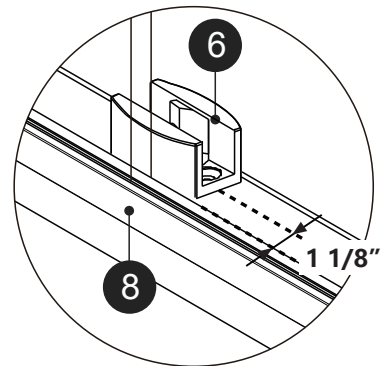
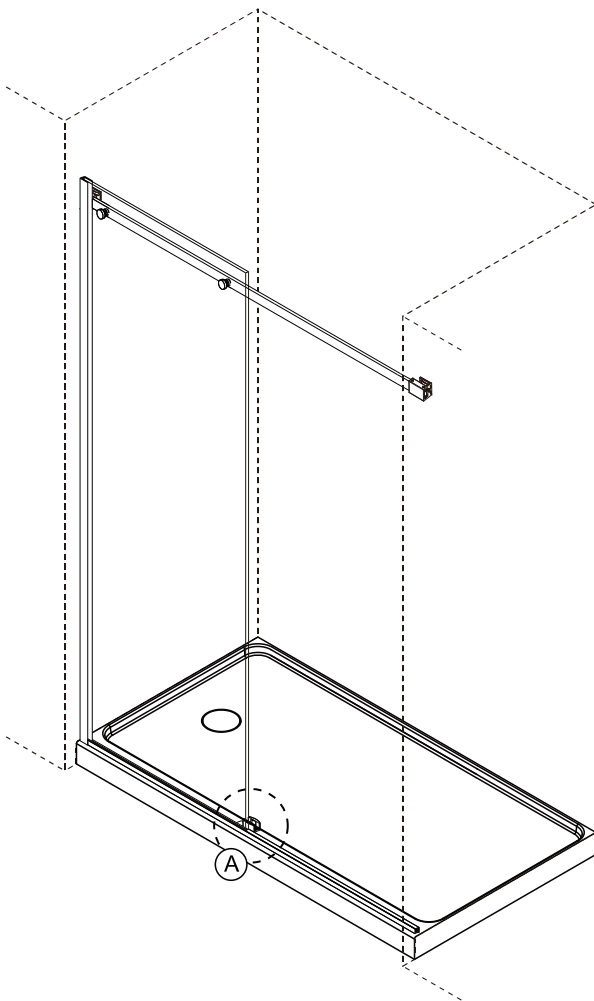
3. Secure the **Rail Bracket Assembly (#12)**, use provided allen wrench to hand tighten. Repeat on the other side.

INSTALLATION STEPS

STEP 8-Bottom Guide

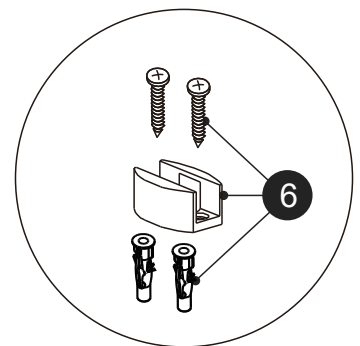
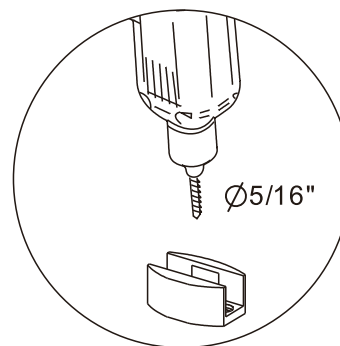


Please ensure plastic insert block install at "8" of the bottom guide as shown.



1. Position the **Bottom Guide(#6)** and mark the two hole positions.

Note: The hole locations for installing **Bottom Guide(#6)** should be 1-5/8" from the inside edge of the **Bottom U Channel(#8)**.



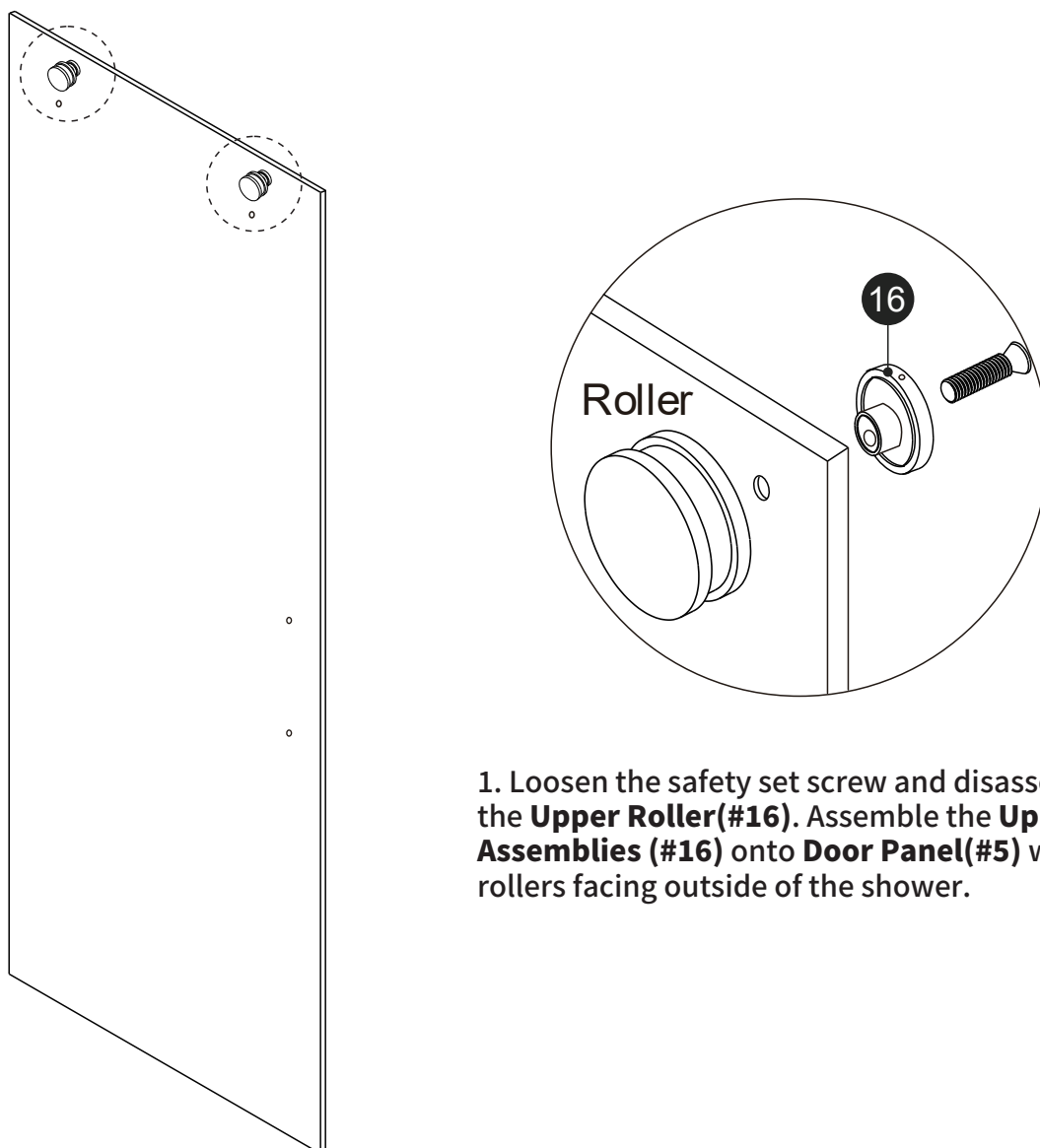
2. Drill 2 $\text{Ø}5/16''$ holes through marked positions and insert **Wall Plugs(#6)**, secure it by **Screws ST5x1 3/8" (#6)**.

INSTALLATION STEPS

STEP 9-Assemble the Upper Roller Assemblies

WARNING: Could cause **SERIOUS INJURY**. **DO NOT** install the handle until the door is fully mounted. Lifting the door by the handle will cause the door to shatter.

WARNING: Could cause **SERIOUS INJURY**. All hardware must be installed properly as per instruction. If the hardware is loose, the door's heavy glass will sag placing its corners in jeopardy. Alternatively, hardware that is overly tightened could put the door into stress.

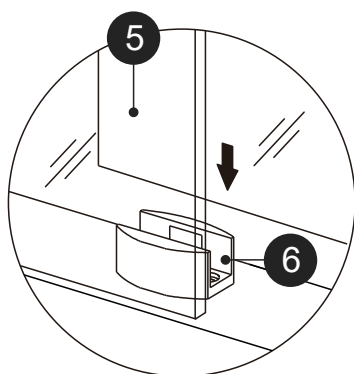
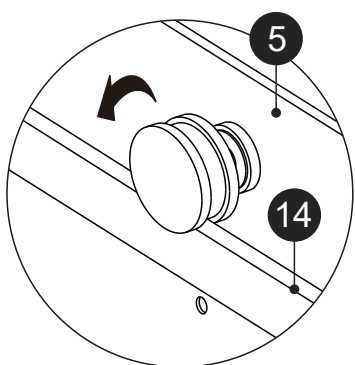
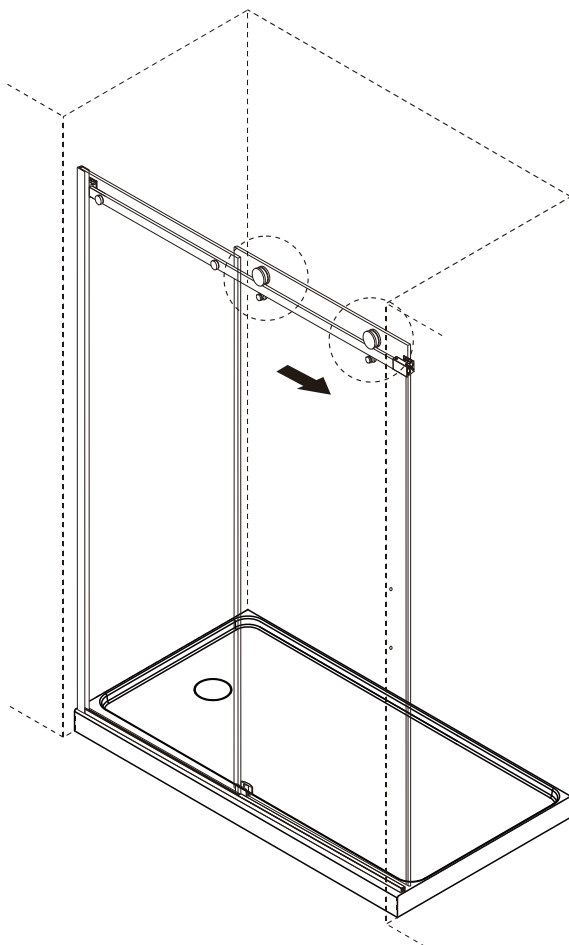


1. Loosen the safety set screw and disassemble the **Upper Roller(#16)**. Assemble the **Upper Roller Assemblies (#16)** onto **Door Panel(#5)** with the rollers facing outside of the shower.

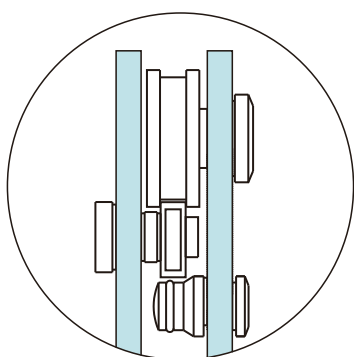
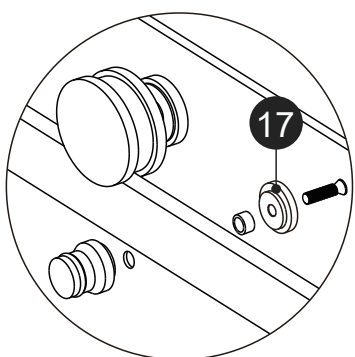
INSTALLATION STEPS

STEP 10-Hanging the Door

WARNING: Could cause **SERIOUS INJURY**. Glass is very **HEAVY**. It is recommended that this door be installed by professionals with a minimum of two installers.



1. Suspend the **Door Panel(#5)** on the **Top Rail (#14)**. Slide the bottom edge of **Door Panel(#5)** into the groove of the **Bottom Guide (#6)**.

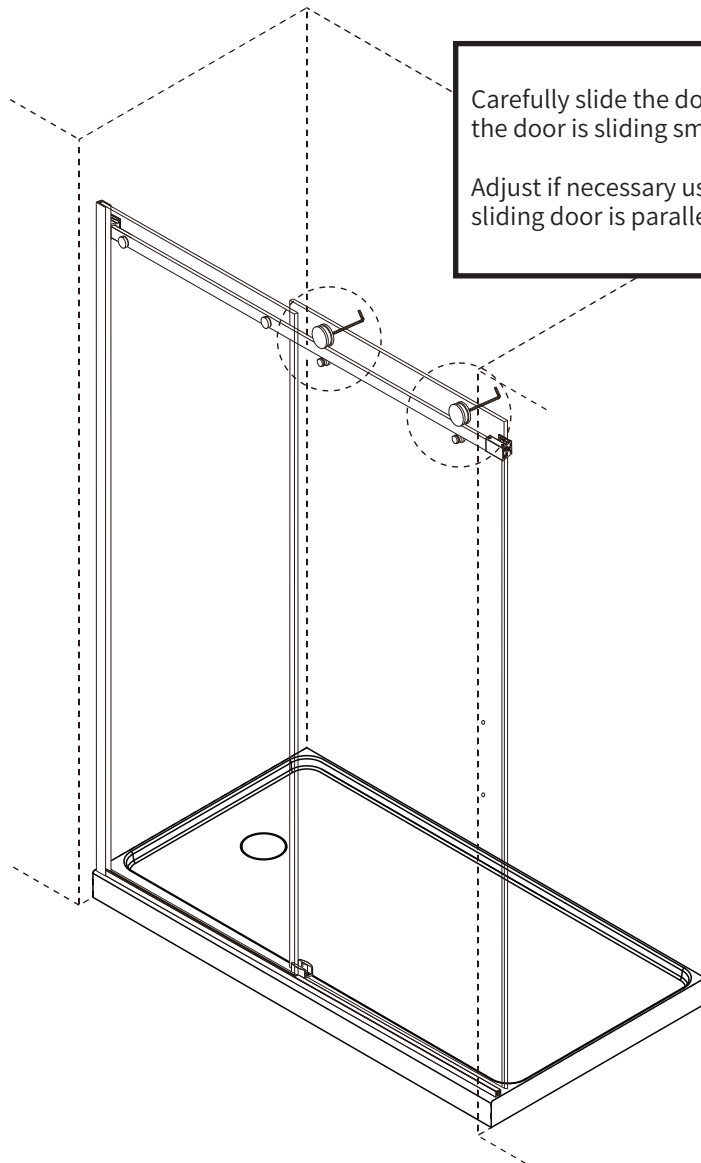


2. **Lock in Knob Sets(#17)** installation, from inside enclosure, install **Lock in Knob Set(#17)** to inside of **Door Panel (#5)**.

Note: Hardware that is overly tightened could put the door into stress.

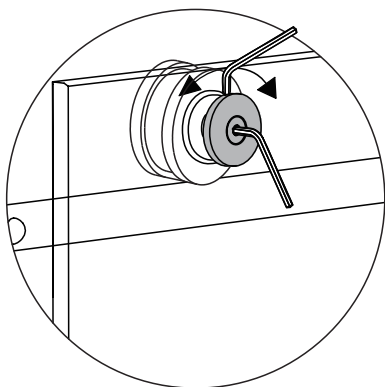
INSTALLATION STEPS

STEP 11-Roller Adjustment



Carefully slide the door toward the wall and check the door is sliding smoothly.

Adjust if necessary using offset in rollers, so that the sliding door is parallel to the tray.



HOW TO ADJUST

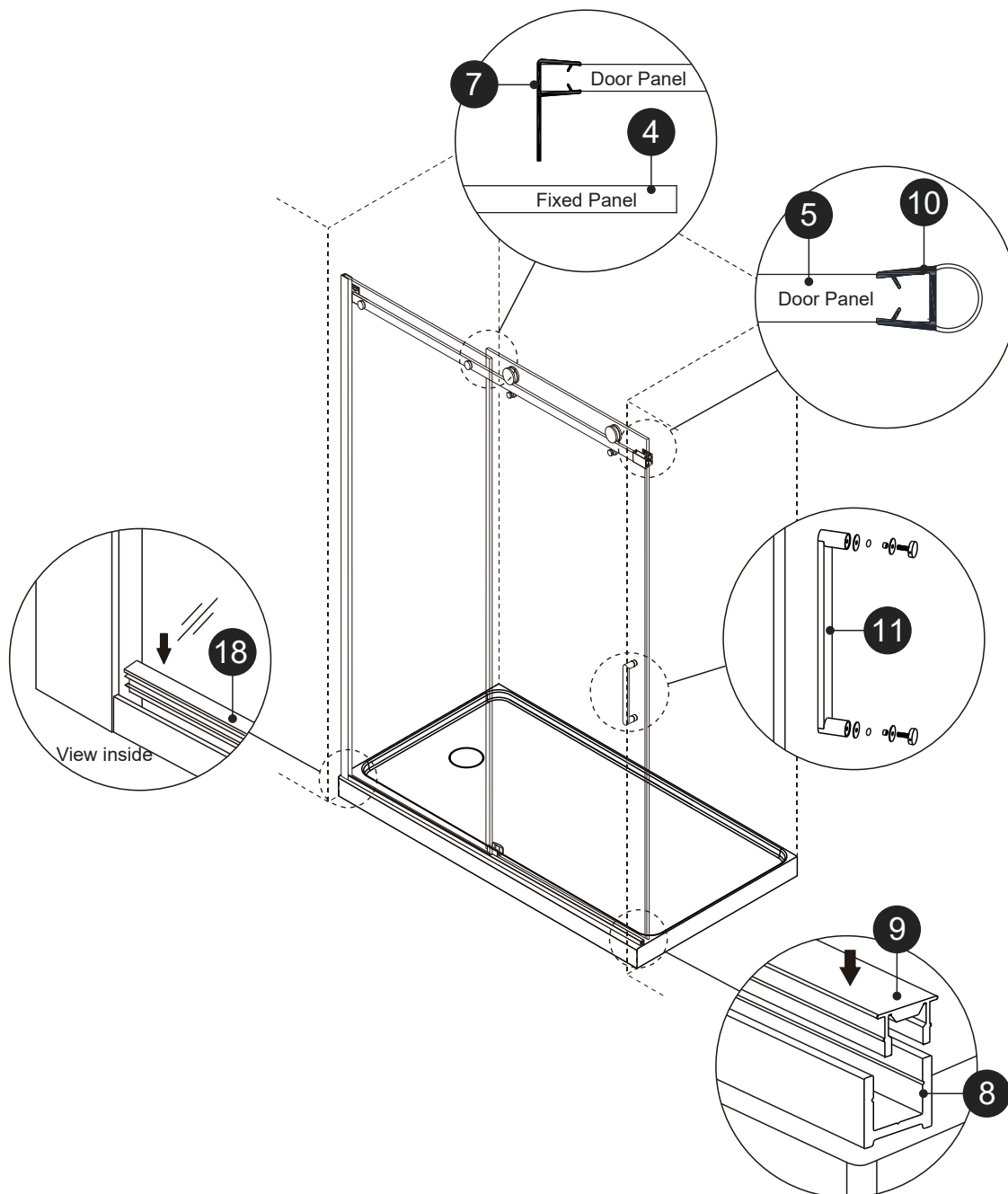
Step 1 : Loosen center bolt with hex wrench

Step 2 : Rotate the outer edge of roller assembly using the small hex, while holding the large hex wrench in place.

Step 3 : Tighten center bolt

INSTALLATION STEPS

STEP 12-Assemble Gasket/Handle/Cover Strip Profile



1. Install the **Door Gasket Strip (#18)** to the Bottom U Channel of **Fixed Panel(#8)**.
2. Install the **Door Seal "F" (#7)** to **Fixed Panel (#4)**.
3. Install the **Door Seal "D" (#10)** to **Door Panel (#5)**.
4. Attach the **Handle (#11)** to the outside of the **Door Panels (#5)**.
5. Cover the **Strip Profile(#9)** to the **Bottom U Channel(#8)** of door opening.

INSTALLATION STEPS

Allow 24 hours for the silicone to cure, before using the shower.

Apply clear silicone caulking along the wall and threshold of the shower door inside and outside.

(make sure you) wait 24hours before using the shower. Do not allow water to directly hit door.



24 HOURS



24 HOURS

