



FEATURES

- 33¹/₁₆" x 22¹/₁₆" x 9¹/₂" double bowls.
- Top mount kitchen sink. The rim of the sink sits on the countertop.
- Transolid silQ® granite sinks are by made with the union of natural granite and acrylic resin. The result gives our sinks high resistance to high temperatures, scratches, dents and chips, as well as impacts and violent shocks.
- The non-porous surface is resistant to bacteria growth and reduces the need for cleaning with harsh chemicals and is 100% food safe.
- Lifetime Limited Residential Warranty

COLORS

- 5 Colors

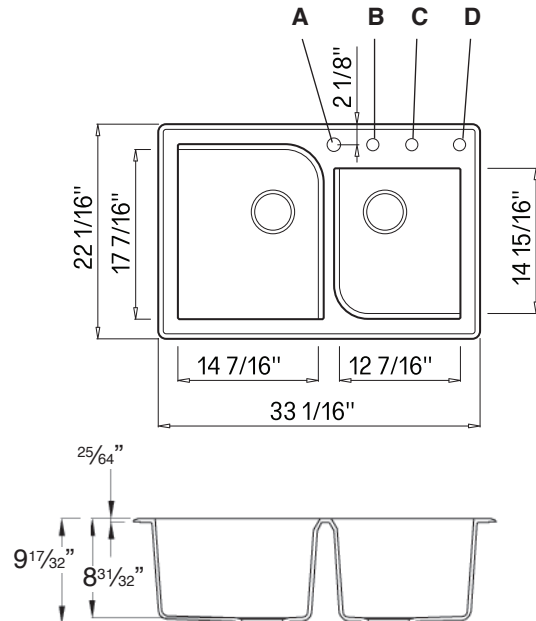
OPTIONS

- TSGRDO Bottom Sink Grid Set, TCBO1518 Bamboo Cutting Board, TGCB2312 Glass Cutting Board, TRM1518 Roller Mat Trivet, TSDIK Universal Sink Drain Installation Kit, 2210 Covered Flip-Top Sink Strainer, 2310 Remote Flip-Top Sink Strainer, 4010 Covered Flip-Top Disposer Strainer, 2012 Standard Sink Strainer, 4000 Soap Dispenser. See Accesories specifiation sheets for details.



Specified Model

| | |
|-----------------------|---|
| Model | RTDO3322 |
| Overall Dimensions | L33 ¹ / ₁₆ " x W22 ¹ / ₁₆ " x D9 ¹ / ₂ " |
| Left Bowl Dimensions | L14 ⁷ / ₁₆ " x W17 ¹ / ₁₆ " x D8 ³¹ / ₃₂ " |
| Right Bowl Dimensions | L12 ⁷ / ₁₆ " x W14 ¹⁵ / ₁₆ " x D8 ³¹ / ₃₂ " |
| Faucet Holes | up to 4 - must specify number of holes and hole location(s). |
| Shipping Weight | 48 lbs. |
| Material | Granite |
| Installation | countertop mounted |
| Required | 2 basket strainers not supplied |



KITCHEN SINKS

To Be Specified:

| | COLOR |
|--------------------------|---------------|
| <input type="checkbox"/> | 01 White |
| <input type="checkbox"/> | 09 Black |
| <input type="checkbox"/> | 12 Espresso |
| <input type="checkbox"/> | 16 Cafe Latte |
| <input type="checkbox"/> | 17 Grey |

To Be Specified:

| | Faucet Hole Drillings |
|--------------------------|-----------------------|
| <input type="checkbox"/> | 0 Holes |
| <input type="checkbox"/> | 1 Hole |
| <input type="checkbox"/> | 2 Holes |
| <input type="checkbox"/> | 3 Holes |
| <input type="checkbox"/> | 4 Holes |

IMPORTANT: Circle Letter(s) above to indicate location(s) for faucet hole drillings (there is a 4" spread between hole locations A,B,C and 4⁷/₈" between C and D).