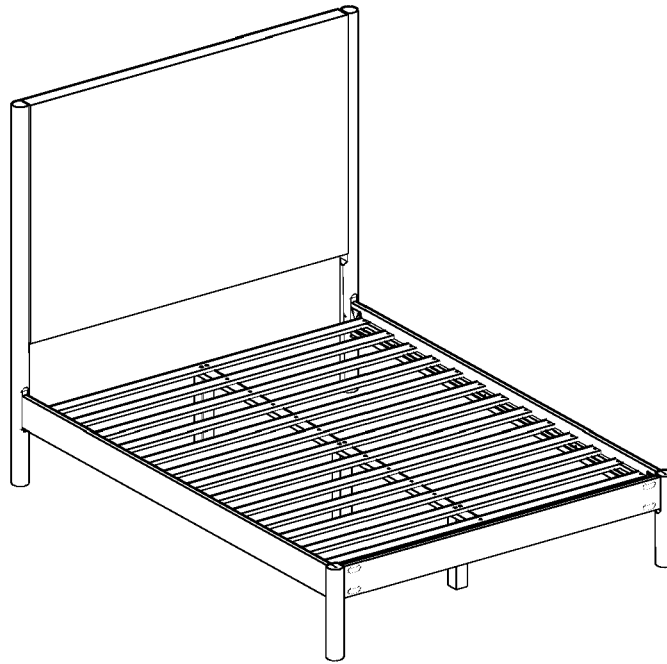
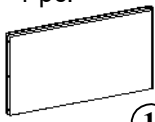








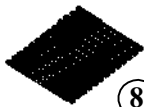


# ASSEMBLY INSTRUCTIONS




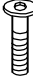
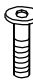






MODEL : BD818-FS



## COMPONENT

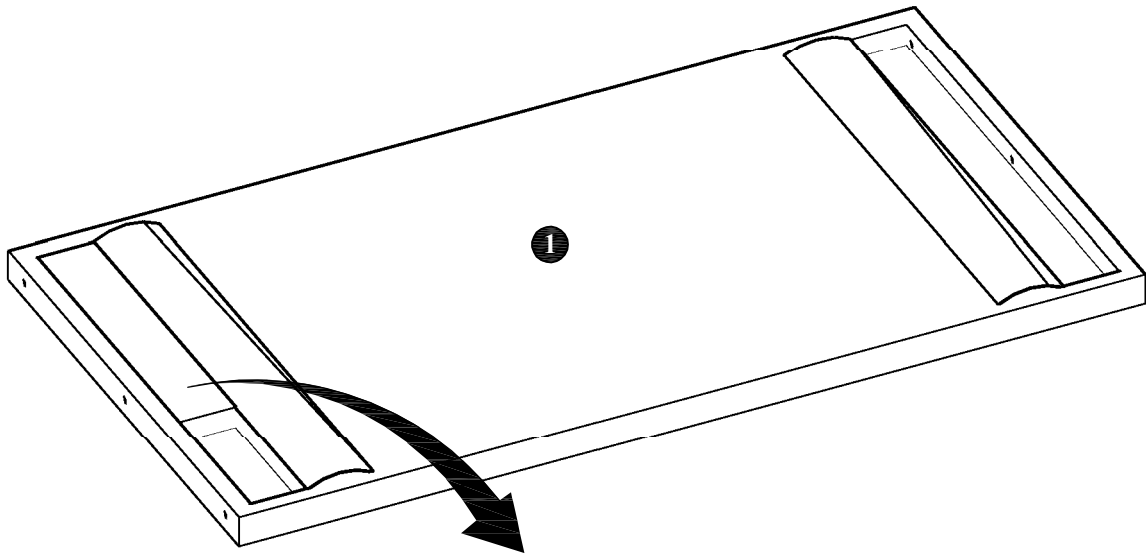
Headboard - 1 pc.  ①	Headboard Leg (Left) - 1 pc.  ②L	Headboard Leg (Right) - 1 pc.  ②R	Footboard - 1 pc.  ③	Footboard Leg (Left) - 1 pc.  ④L	Footboard Leg (Right) - 1 pc.  ④R	Side Rail - 2 pcs.  ⑤	Center Rail - 1 pc.  ⑥
Center Leg - 3 pcs.  ⑦	Slats - 13 pcs.(1set)  ⑧						

## HARDWARE

Allen Key M4 (Long Ball Head) - 1 pc.  ①A	Allen Key M5 - 1 pc.  ①B	JCBB Bolt M8 x 40mm - 6 pcs.  ①C	JCBC Bolt M6 x 50mm - 6 pcs.  ①D	JCBC Bolt M6 x 40mm - 4 pcs.  ①E	M8 Spring Washer - 6 pcs.  ①F	M8 Flat Washer - 6 pcs.  ①G	Wood Screw M3.5 x 16mm - 1 pc.  ①H
Wood Screw M4 x 25mm - 36 pcs.  ①I	Wood Dowel M8 x 30mm - 4 pcs.  ①J	M6 Spring Washer - 4 pcs.  ①K					

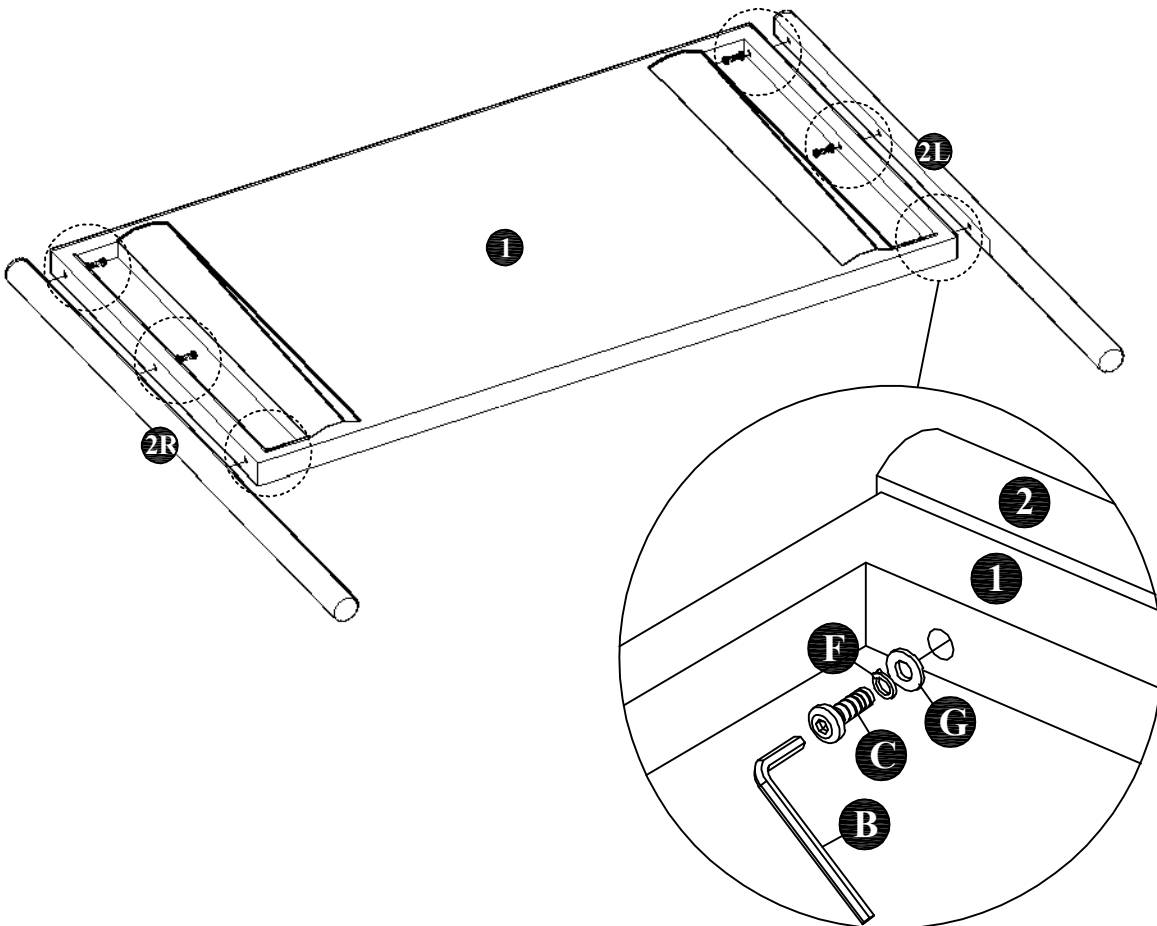
# ASSEMBLY INSTRUCTIONS

STEP 1 :



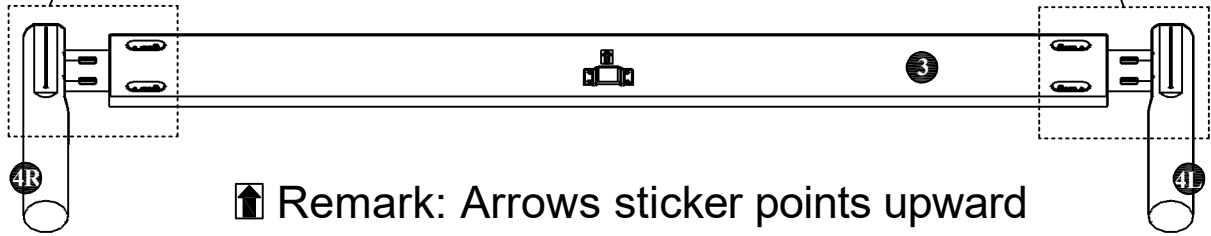
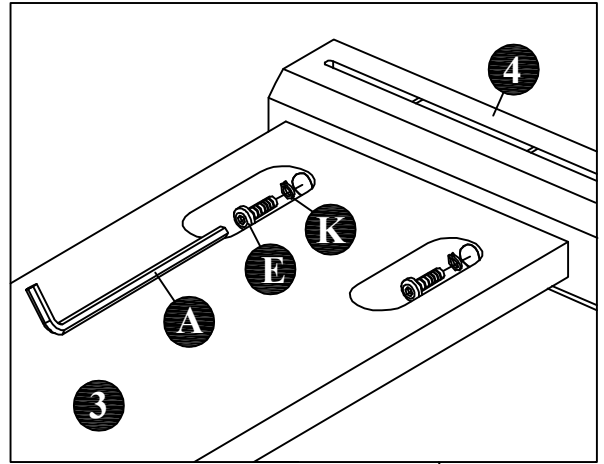
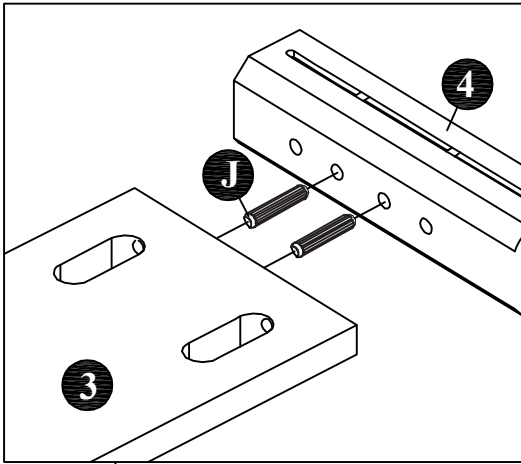
Put out the inner box first

STEP 2 :



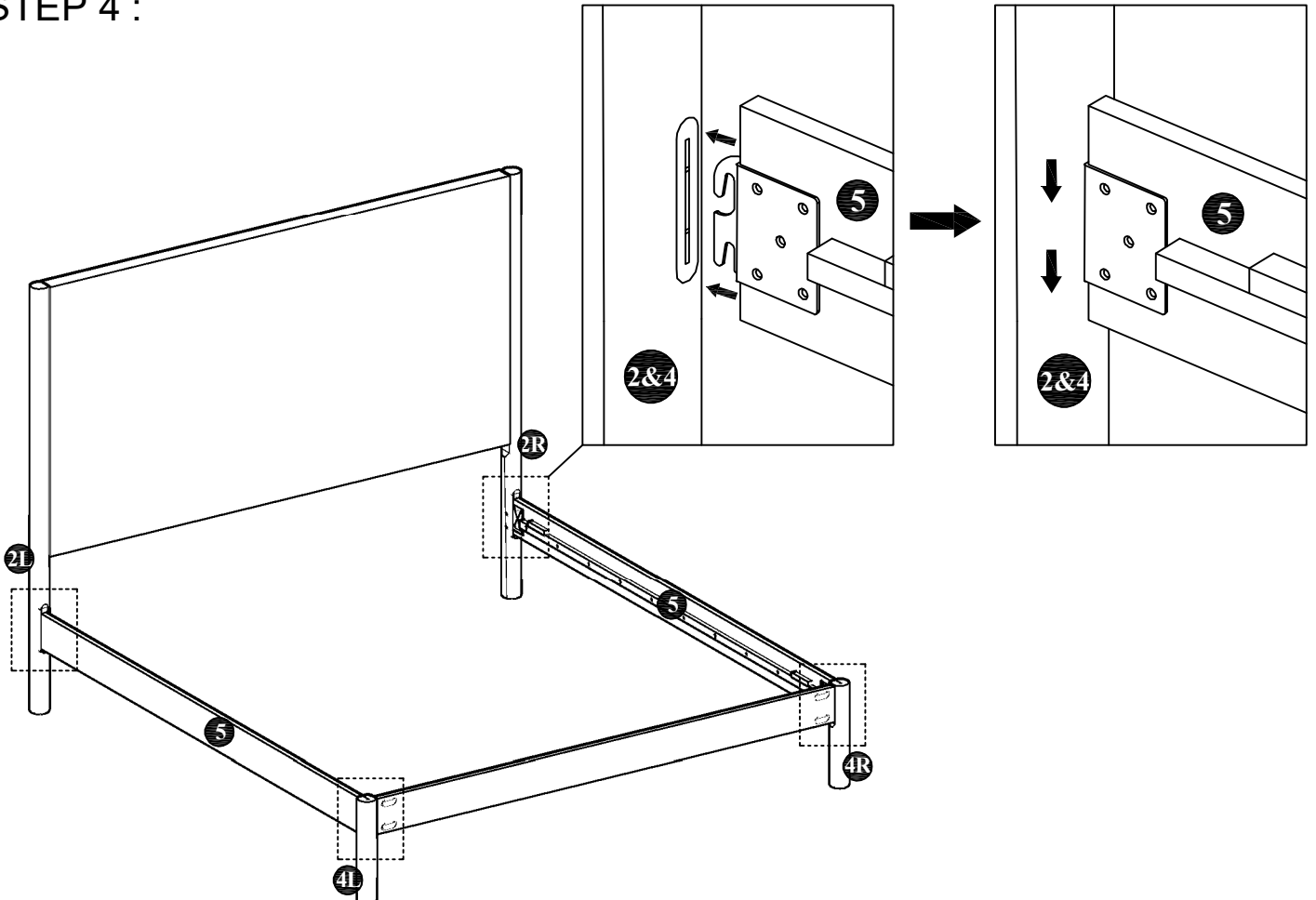
# ASSEMBLY INSTRUCTIONS

## STEP 3 :



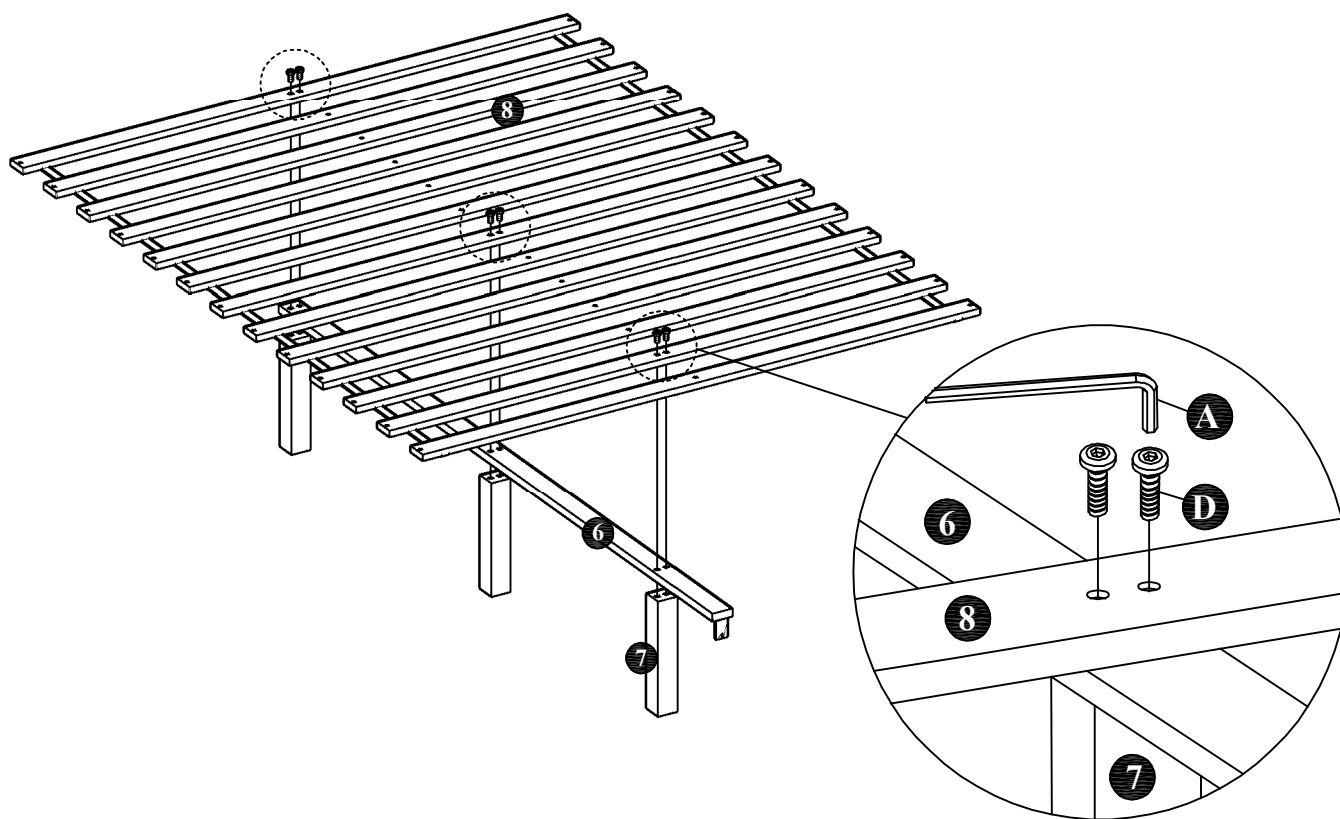
Remark: Arrows sticker points upward

## STEP 4 :

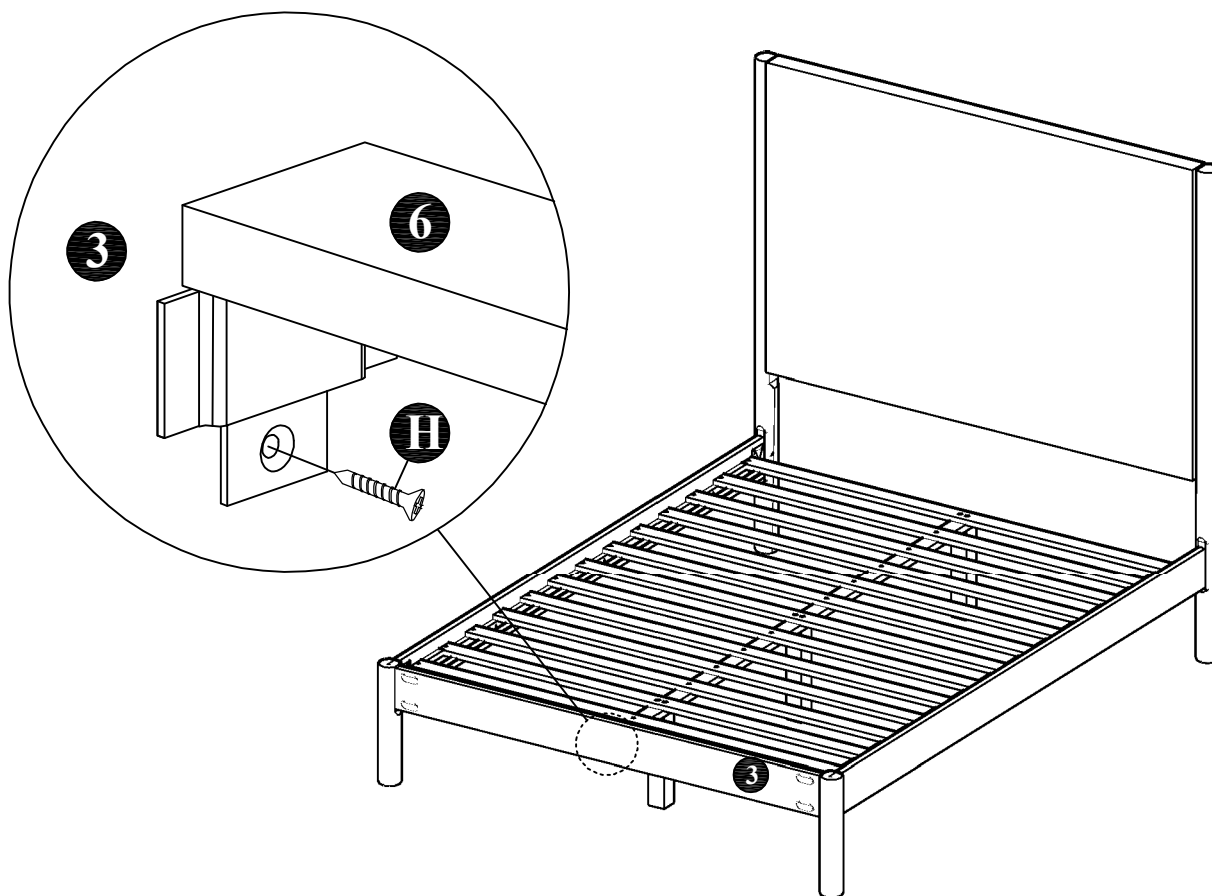


# ASSEMBLY INSTRUCTIONS

STEP 5 :

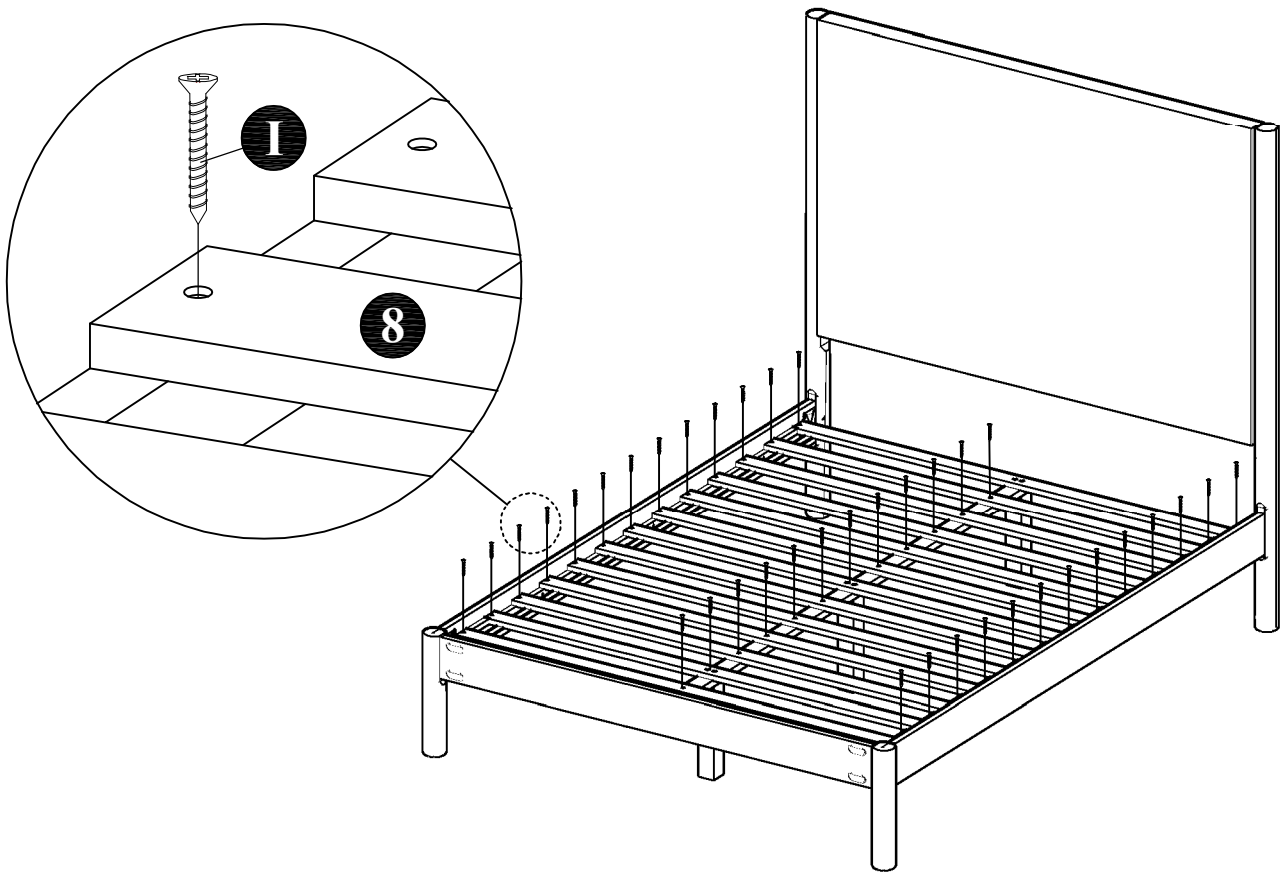


STEP 6 :



# ASSEMBLY INSTRUCTIONS

STEP 7 :



## COMPLETE VIEW

**\*IMPORTANT\***

Please lift up the bed to move  
with 2 or more people.

**DO NOT DRAG THE BED!**

