

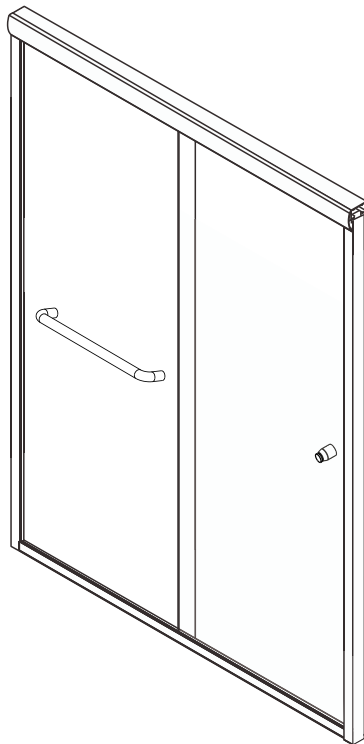
# MOHOME

## INSTALLATION INSTRUCTIONS

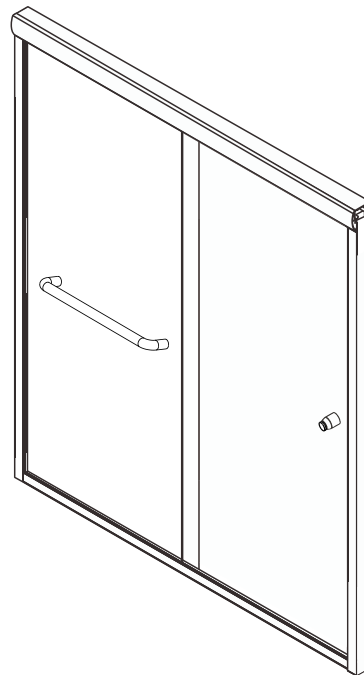
---

FOR SHOWER DOOR AND BATHTUB DOOR

### BT SERIES



BT-5970 -CH/BN/MB



BT-5956 -CH/BN/MB

**FINISH :**

**CH**-Chrome

**BN**-Brushed Nickel

**MB**-Matte Black

## ◆ General Information

Inspect the product immediately upon receipt for transit damage, missing packs/parts or manufacturing fault. Damage reported later will not be accepted. Handle the product with care avoiding knocks and shock loading to all sides and edges of the glass.

## ◆ Notes: Safety glass can not be re-worked

Read these instructions carefully before start of installation.

Special care should be taken when drilling walls to avoid hidden pipes or electrical cables.

**Note:** This product is heavy and may require two people to install.

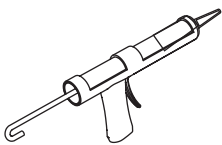
## ◆ Aftercare instructions

After use, your shower should be cleaned with soap and water. This is particularly important in hard water districts where insoluble lime salts maybe deposited and allowed to build up. Cleaners of a gritty or abrasive nature should not be used. Care should be taken to avoid contact with strong chemicals, they can be used but with caution, if in doubt contact the manufacturer of the cleaner in question.

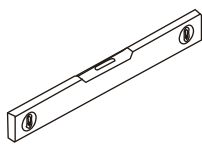
Keep these instructions for aftercare and customer service details.

**Note:** Aluminium top rail can be trimmed up to 4" for width adjustment. If installation opening is smaller, the overlap of two glass panel is bigger, and the entrance size is reduced accordingly.

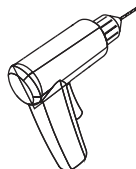
## Tools Required



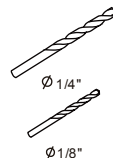
Silicone



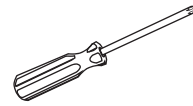
Level



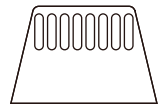
Drill



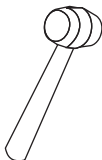
Drill Bit



Screwdriver  
(Phillips)



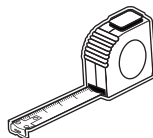
Sealant  
Finishing Tool



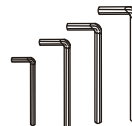
Mallet



Pencil



Tape Measurer



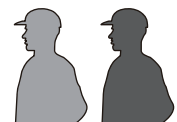
Allen Wrenches



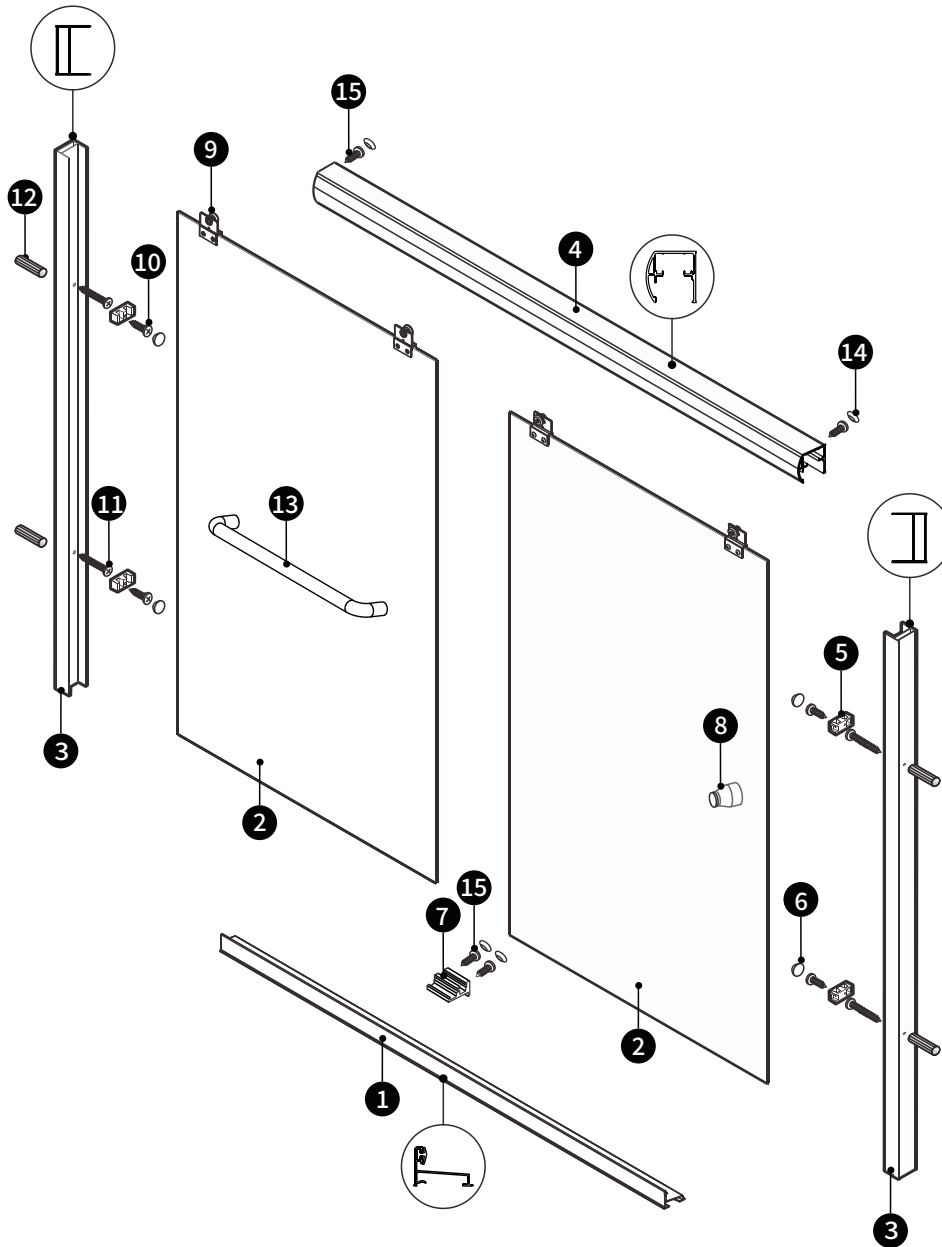
Painters  
Tape

**Tips:** Measure the finished opening before proceeding with the installation to be sure that the correct model size has been ordered.

**Note:** These instructions will show the installation of the shower door. Please follow the same steps for the installation of the tub door.



# PARTS LIST



## PACKING LIST

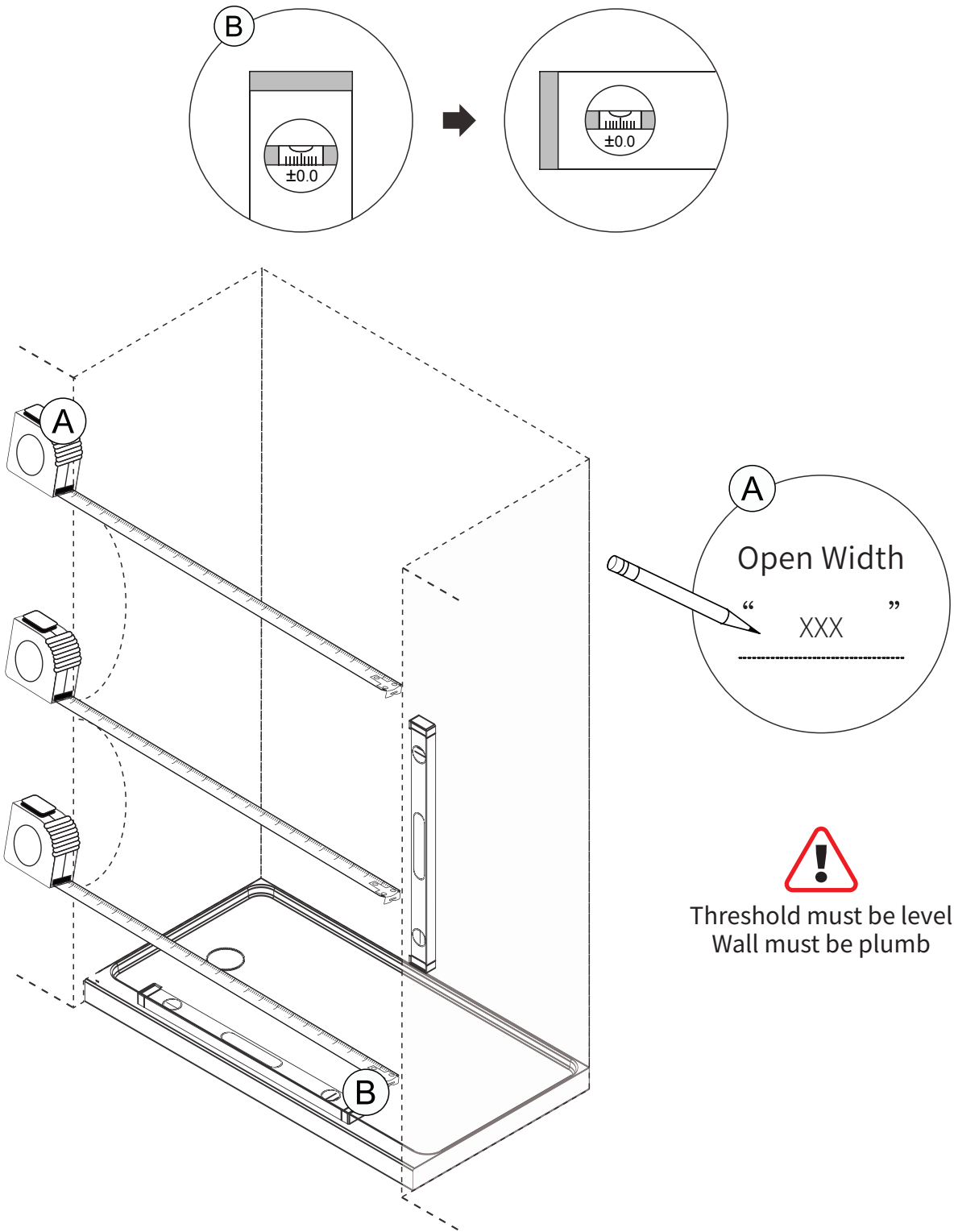


Keep small parts away from children

PART #	DESCRIPTION	Q' TY	PART #	DESCRIPTION	Q' TY
1	Bottom Horizontal Rail	1pc	9	Roller Bracket Assembly	4sets
2	Door Panels	2pcs	10	Screw ST4x5/8"	4pcs
3	Wall Jambs	2pcs	11	Screw ST4x1 3/8"	4pcs
4	Top Horizontal Rail	1pc	12	Wall Plugs	4pcs
5	Glass Blocks	4pcs	13	Towel Bar	1pc
6	Glass Block Caps	4pcs	14	Screw Caps	4pcs
7	Bottom Guides	1pc	15	Screw ST4x5/16"	4pcs
8	Knob	1pc			

# INSTALLATION STEPS

## STEP 1A

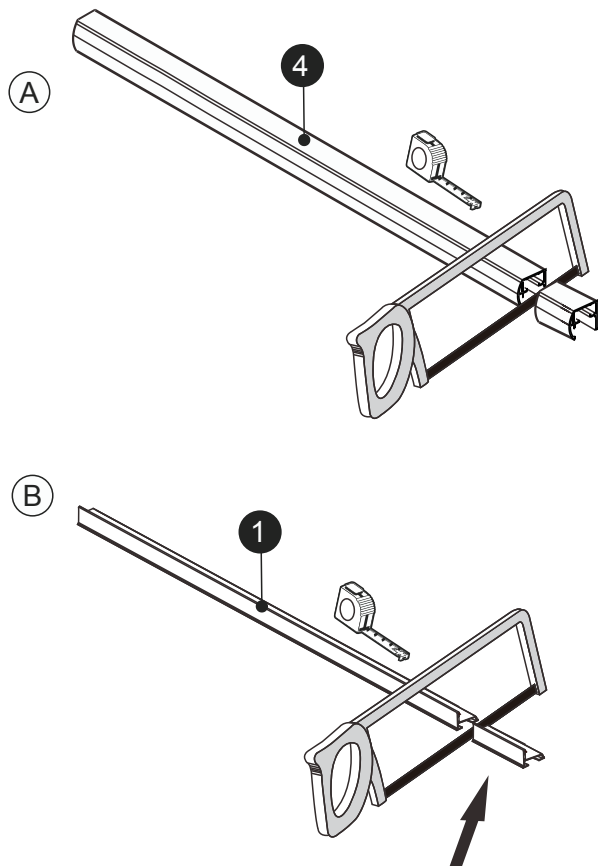
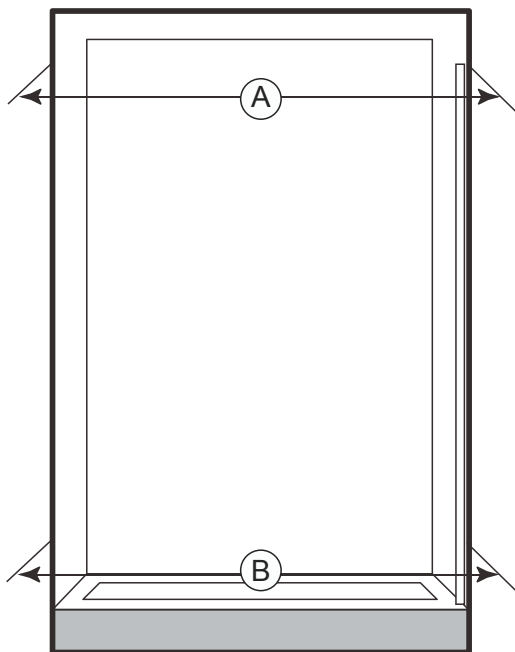


# INSTALLATION STEPS

## STEP 1B

Model Width - Finished Opening(Width) = Cut Off Length

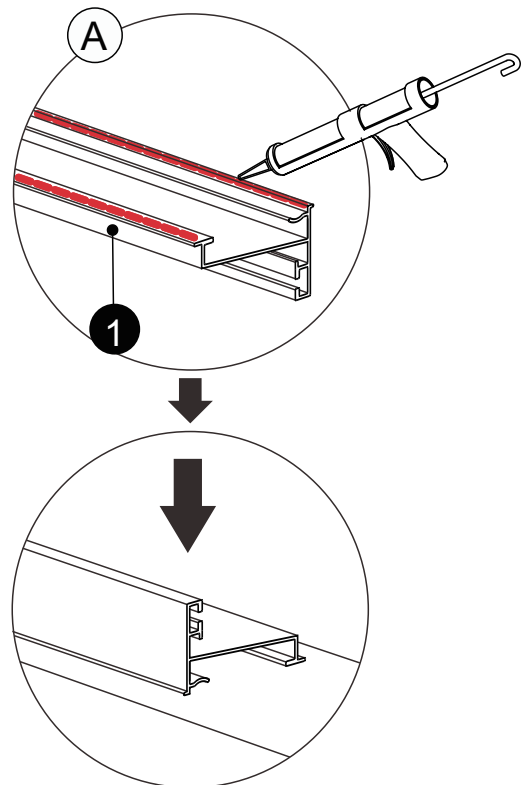
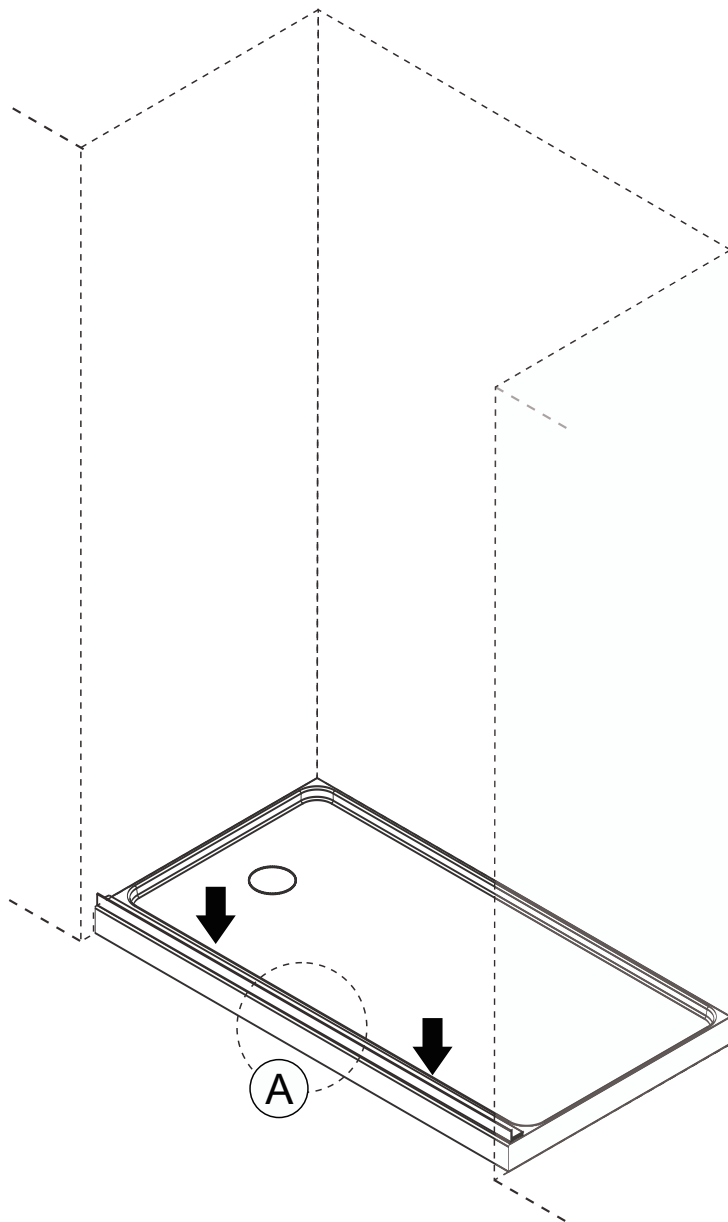
Finished Opening (Width)	55"	56"	57"	58"	59"
Cut Off Length	4"	3"	2"	1"	—



Measure the drip rail with a tape measure. Cut the length according to installer's recommendation.

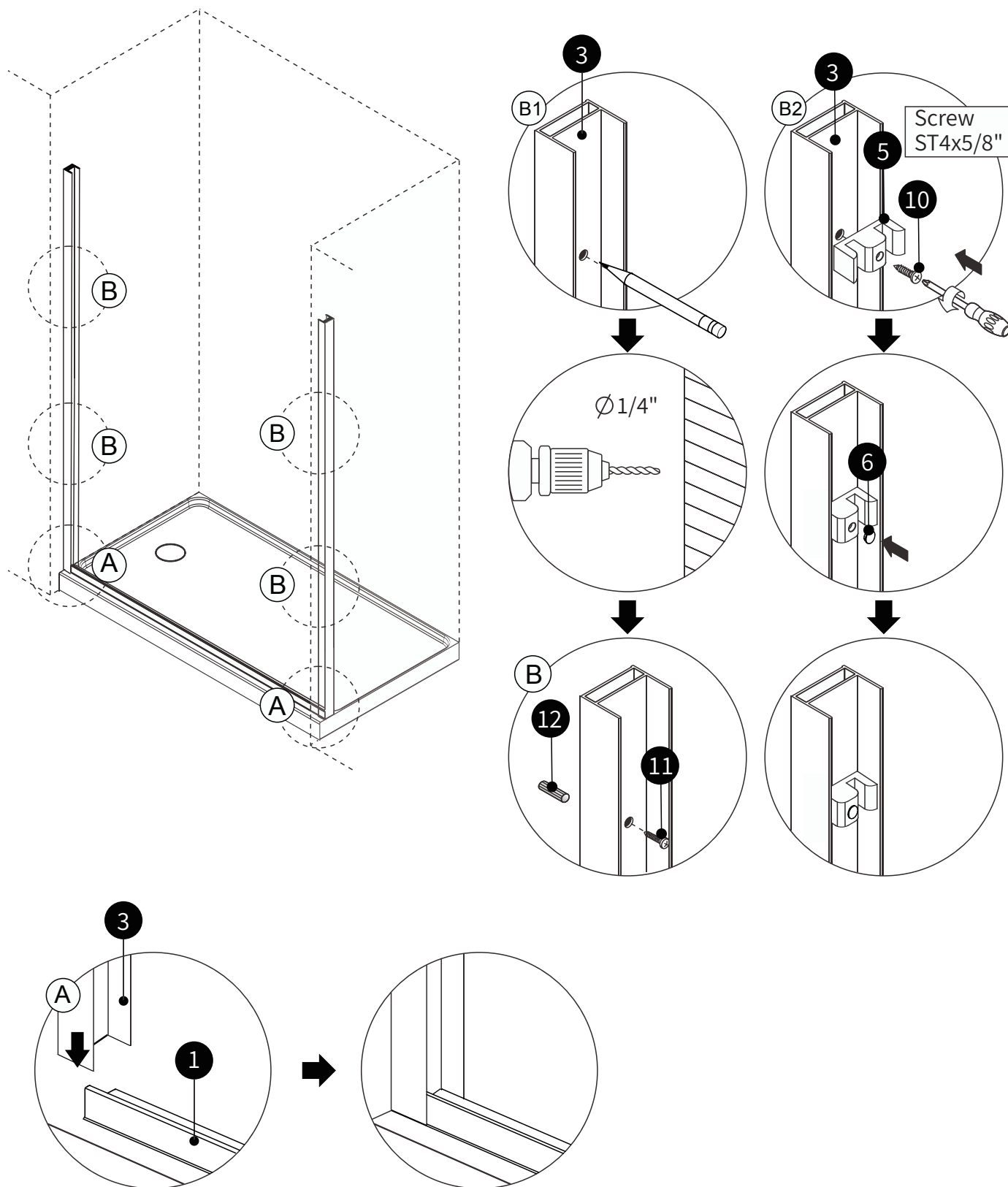
# INSTALLATION STEPS

## STEP 2



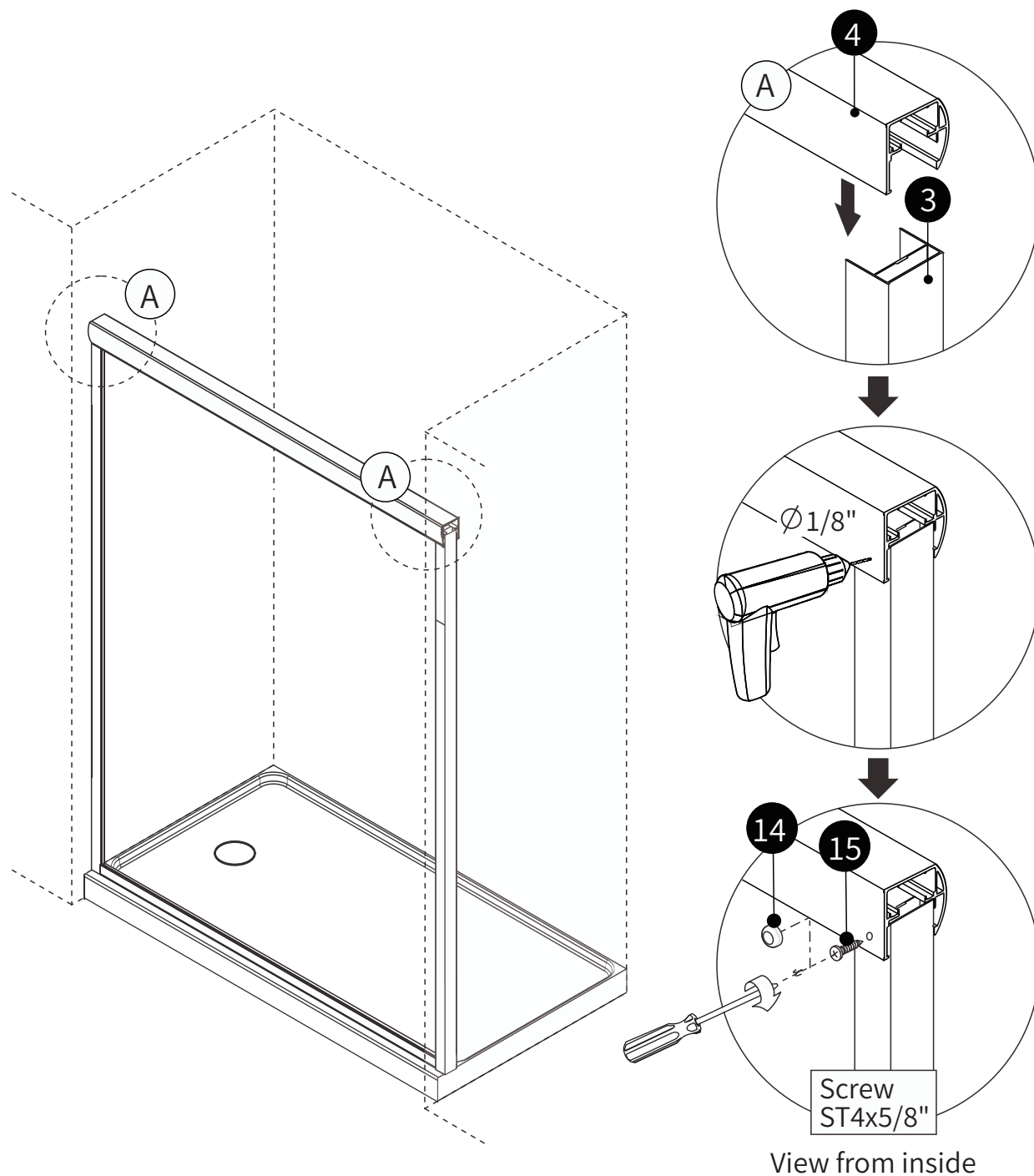
# INSTALLATION STEPS

## STEP 3



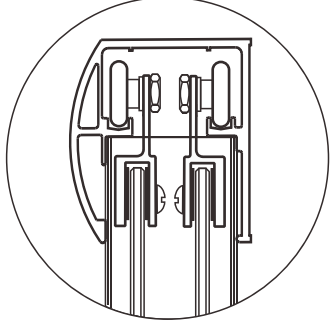
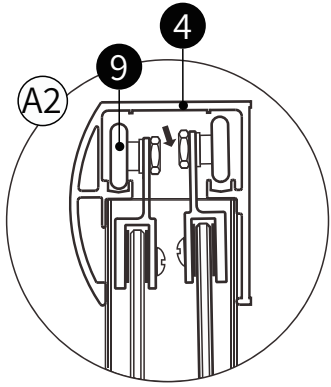
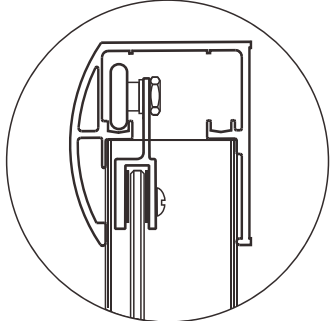
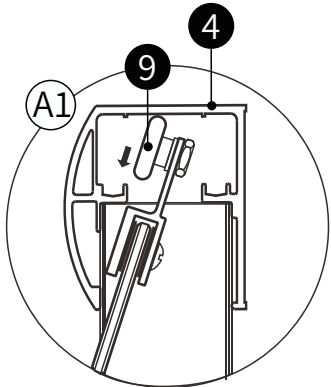
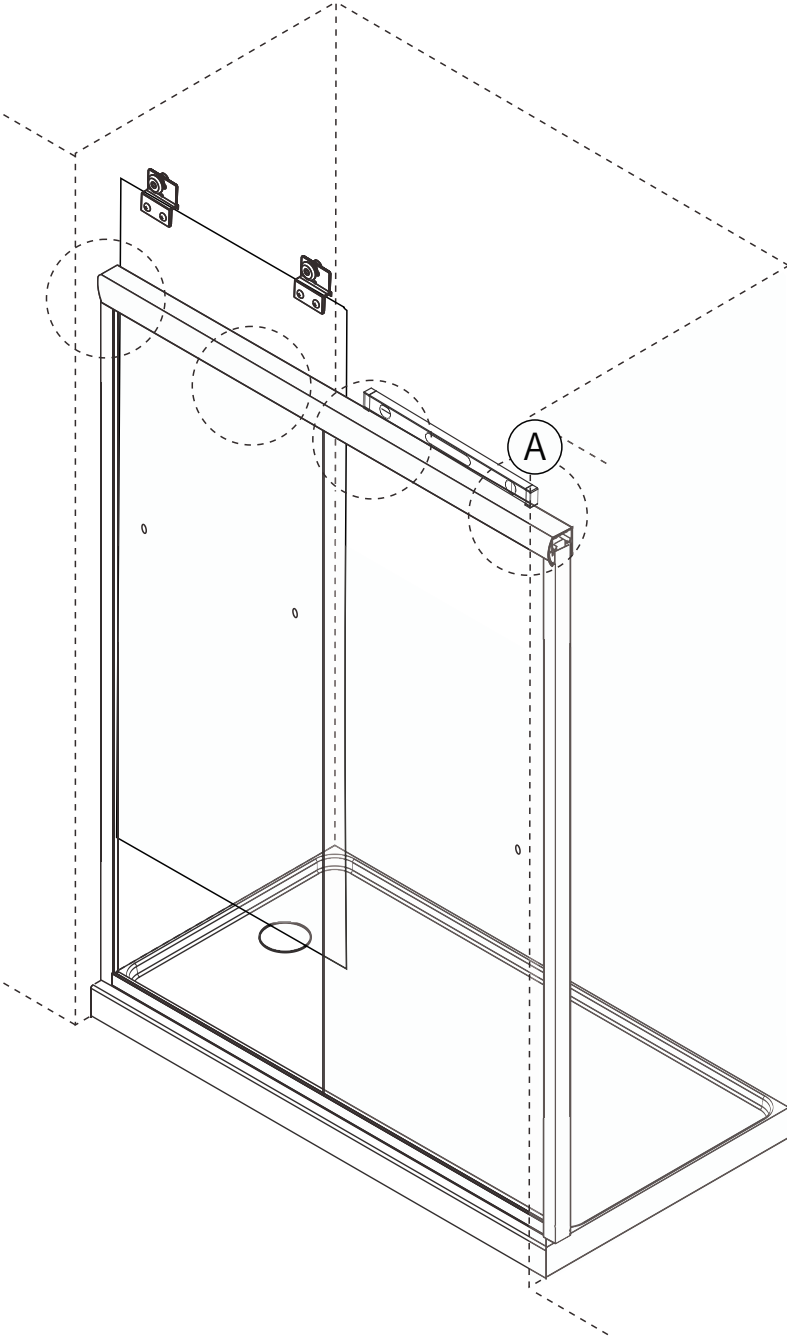
# INSTALLATION STEPS

## STEP 4



# INSTALLATION STEPS

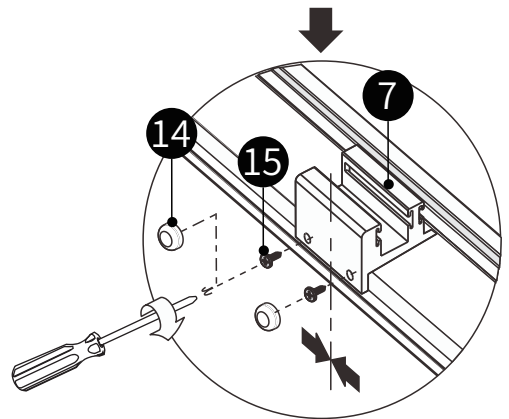
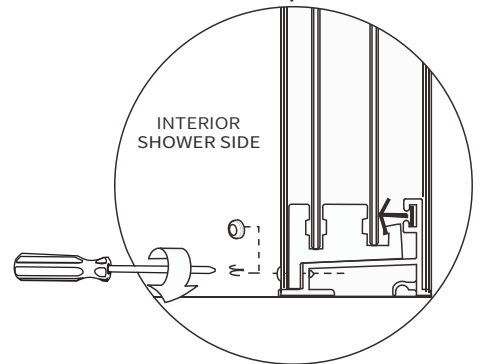
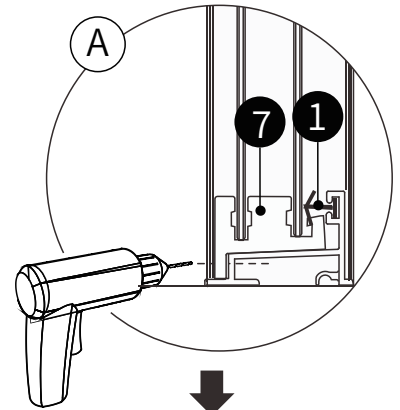
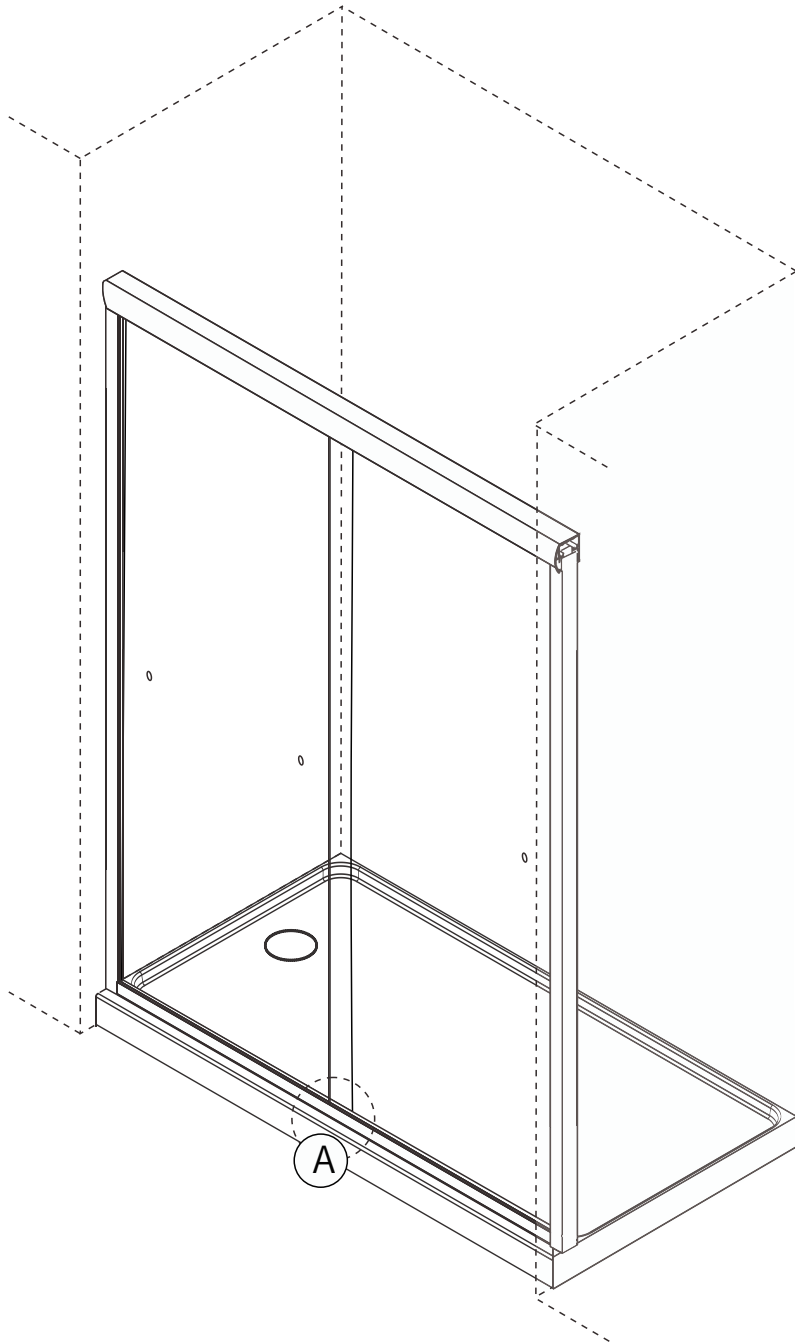
## STEP 5



Adjust top rail until it level.

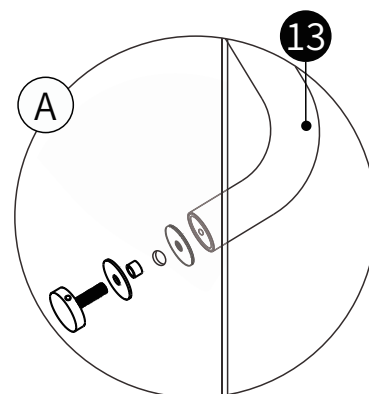
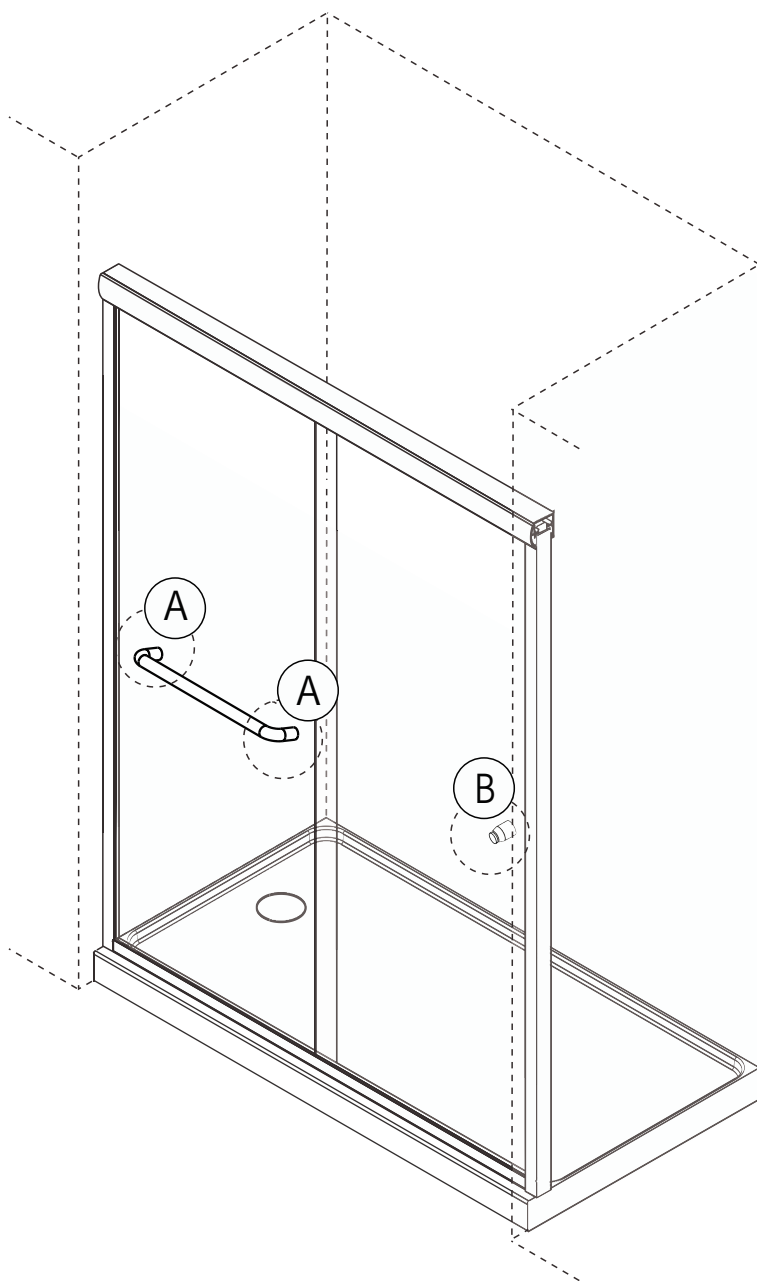
# INSTALLATION STEPS

## STEP 6

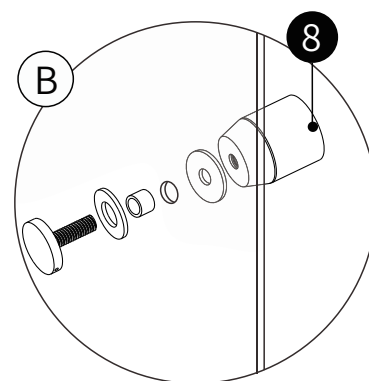


# INSTALLATION STEPS

## STEP 7



View from inside



View from outside

# INSTALLATION STEPS

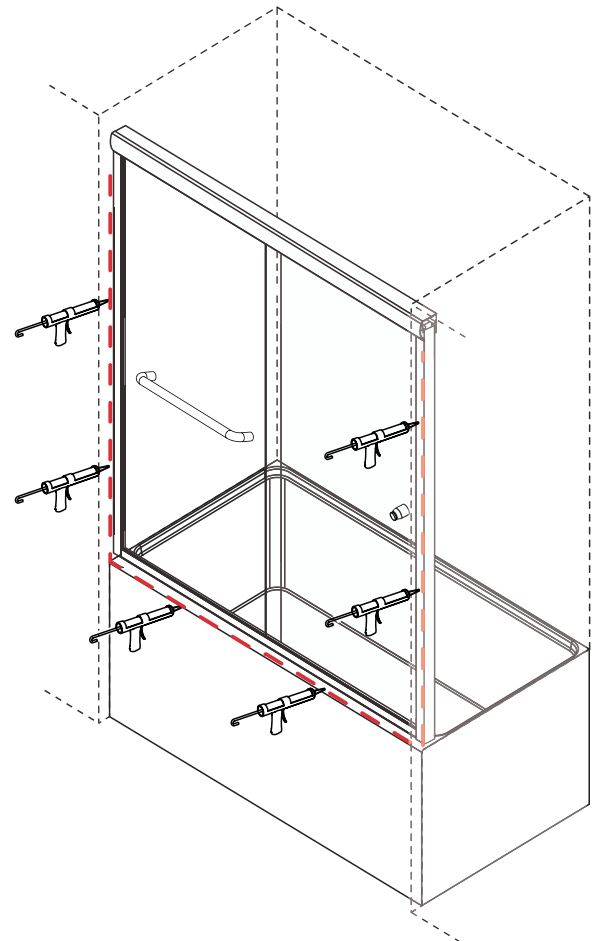
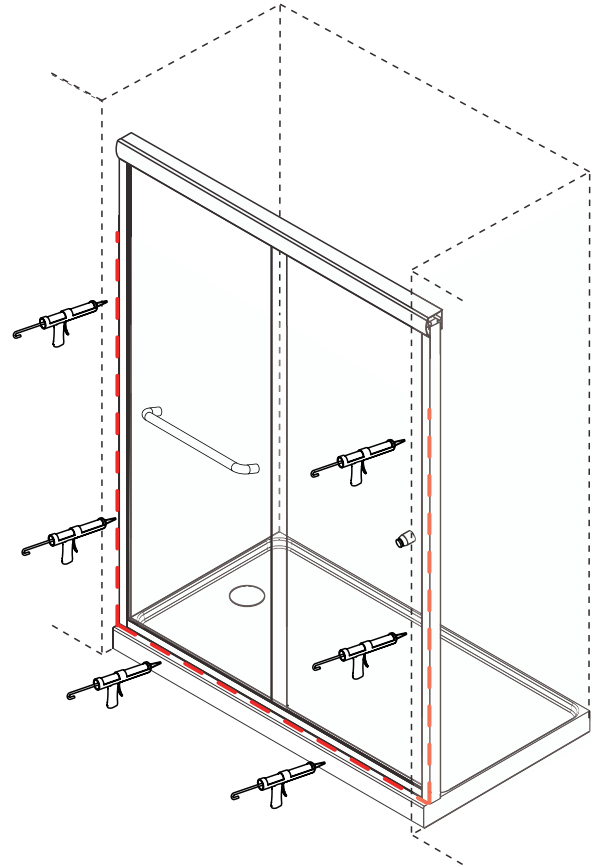
## STEP 8



**24** HOURS

Apply clear silicone caulking along the wall and threshold of the shower door inside and outside.

(make sure you ) wait 24hours before using the shower. Do not allow water to directly hit door.



**24** HOURS