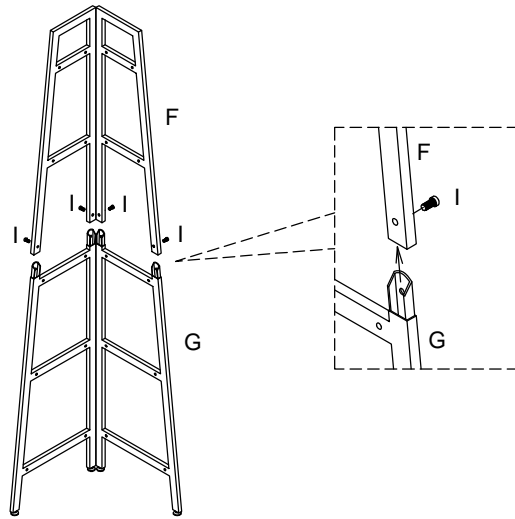
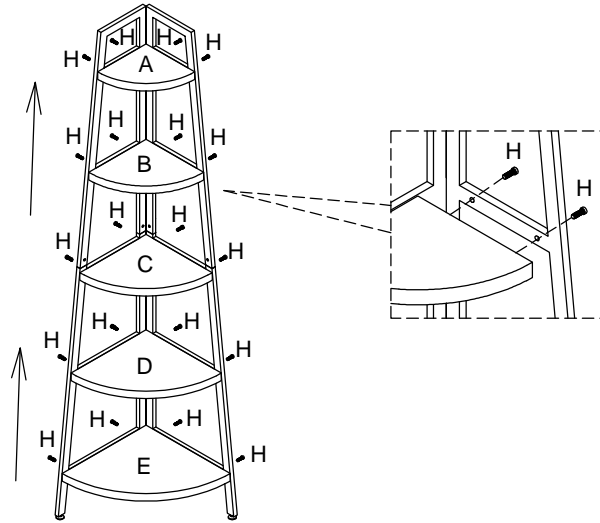


ASSEMBLY INSTRUCTION

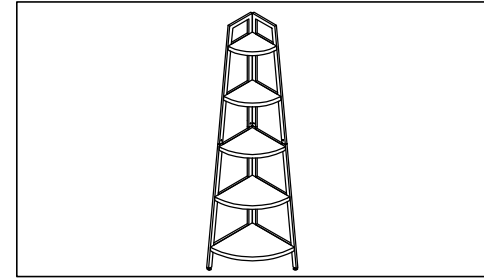
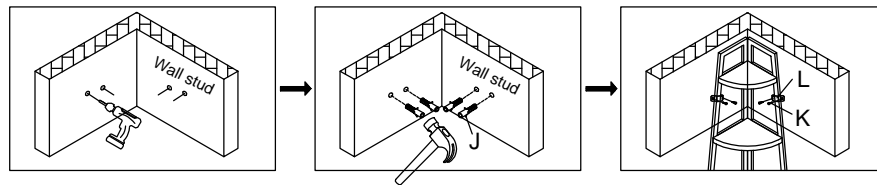
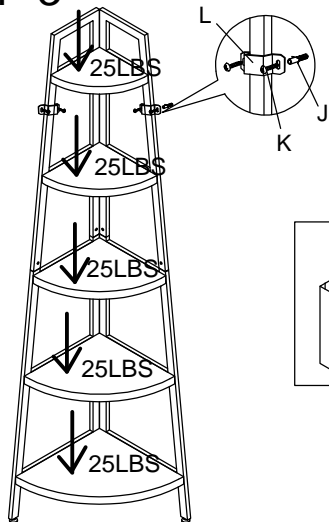
STEP 1



STEP 2



STEP 3



A		1PC
B		1PC
C		1PC
D		1PC
E		1PC
F		1PC
G		1PC
H		M6*28mm 20PCS
I		M6*12mm 4PCS
J		4PCS
K		M4*35mm 4PCS
L		2PCS
M		1PC