

ASSEMBLY INSTRUCTION

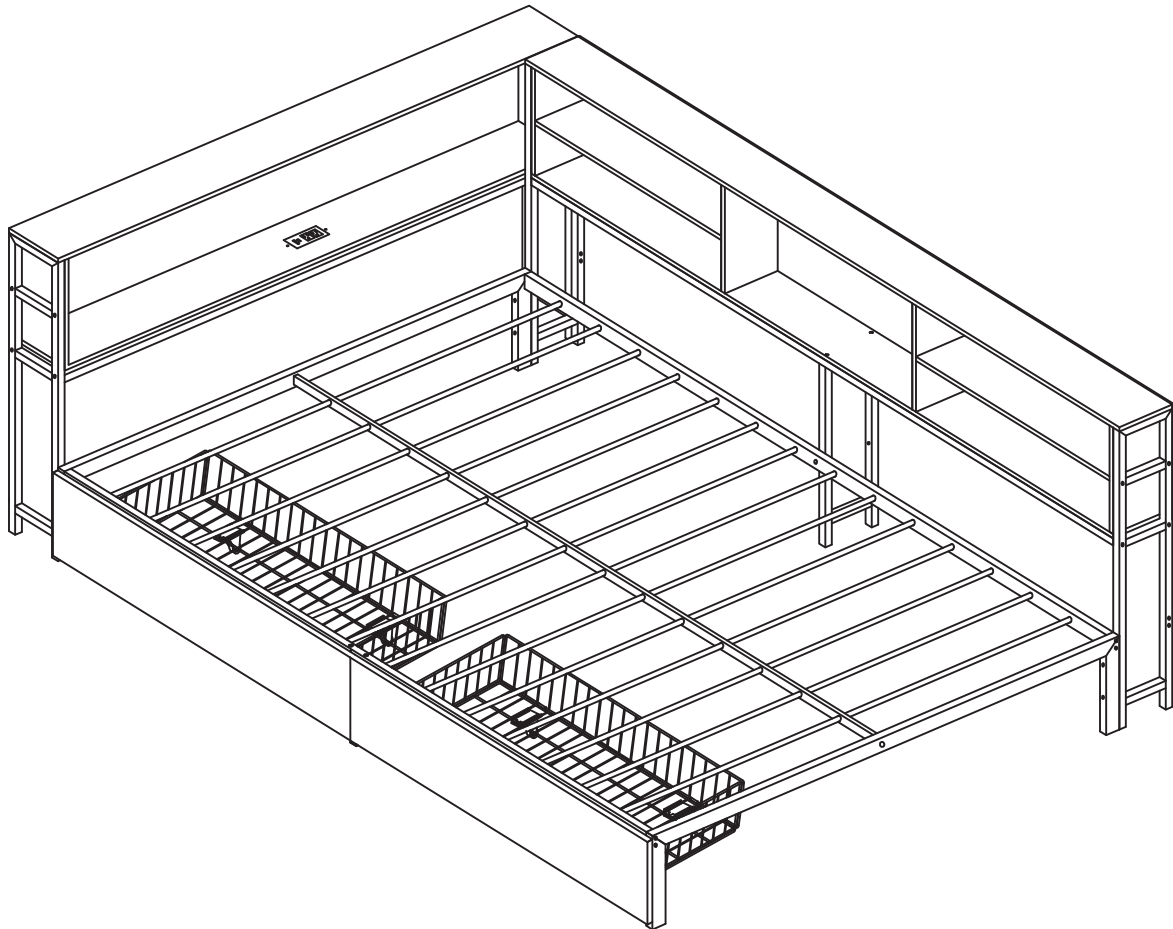
Bed Frame with Bookcase Storage

Keep this document for reference in case parts are needed

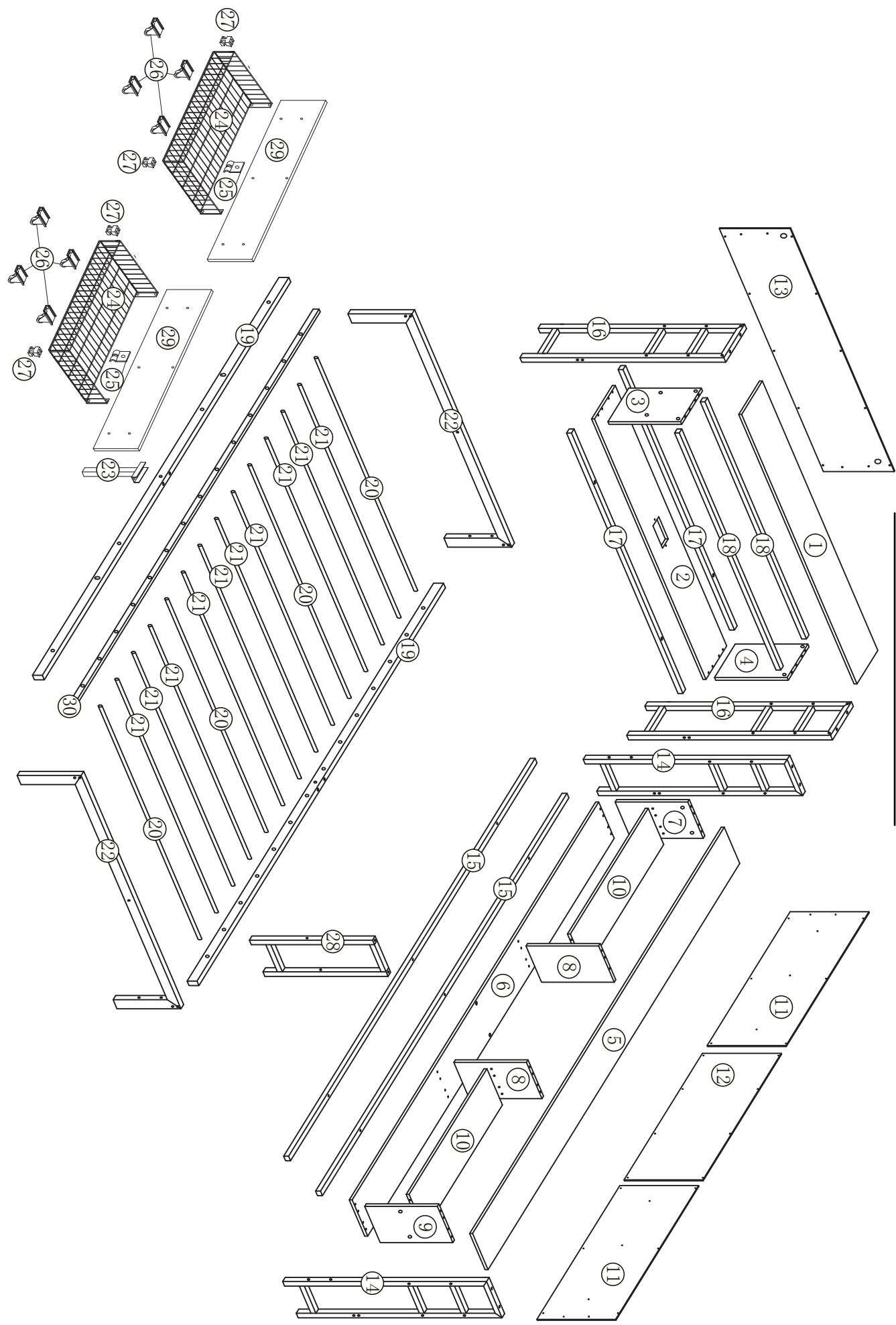
Do not tighten all bolts until the bed is assembled completely.

Hardware pack attached in the package in red plastic bag.

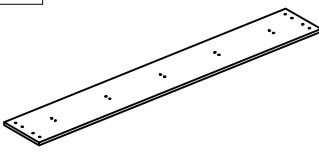
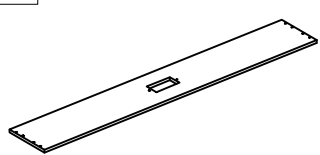
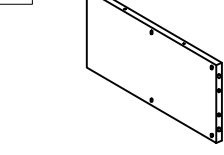
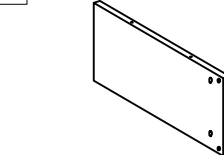
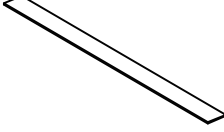
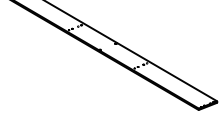
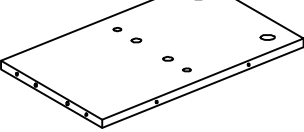
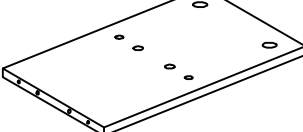
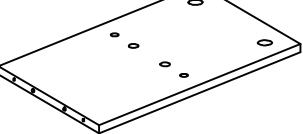
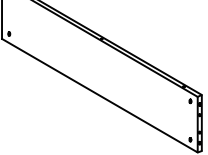
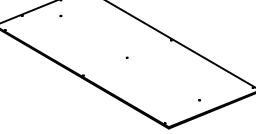
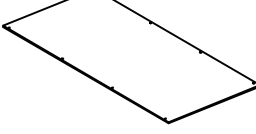
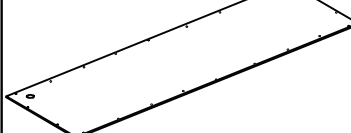

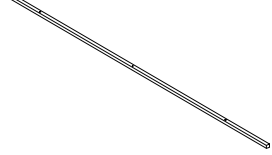
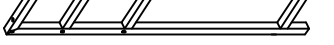
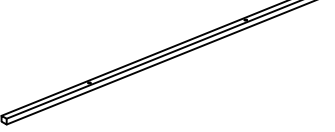
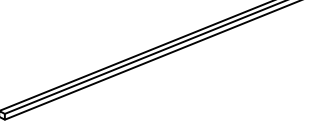
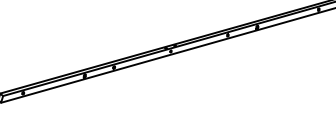


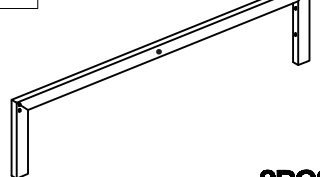
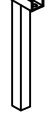
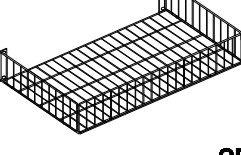

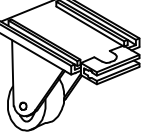


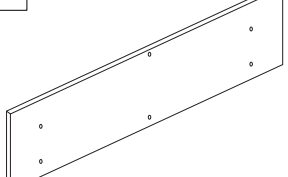

The plastic parts of the bed plate pipe must be pressed tightly.



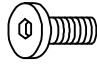
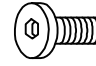
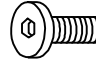
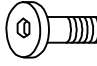
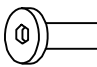
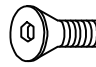
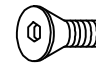
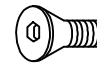
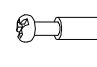
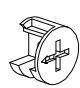
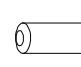

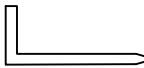
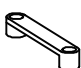
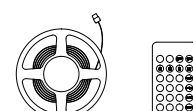
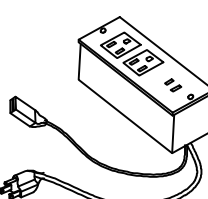
Detail View



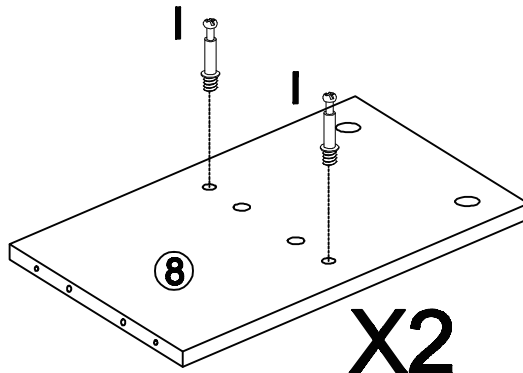
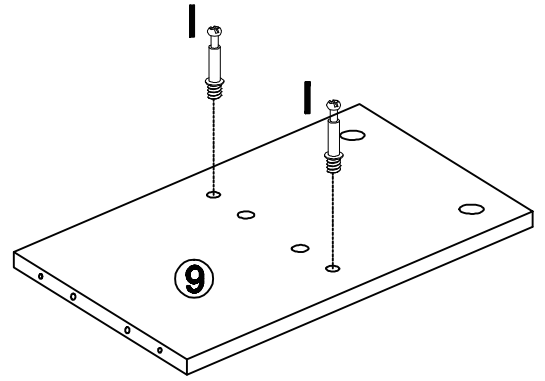
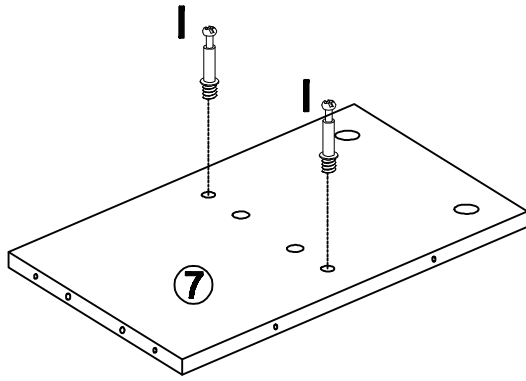
Part List

<p>1</p>  <p>1PC</p>	<p>2</p>  <p>1PC</p>	<p>3</p>  <p>1PC</p>	<p>4</p>  <p>1PC</p>
<p>5</p>  <p>1PC</p>	<p>6</p>  <p>1PC</p>	<p>7</p>  <p>1PC</p>	<p>8</p>  <p>2PCS</p>
<p>9</p>  <p>1PC</p>	<p>10</p>  <p>2PCS</p>	<p>11</p>  <p>2PCS</p>	<p>12</p>  <p>1PC</p>
<p>13</p>  <p>1PC</p>	<p>14</p>  <p>2PCS</p>	<p>15</p>  <p>2PCS</p>	<p>16</p>  <p>2PCS</p>
<p>17</p>  <p>2PCS</p>	<p>18</p>  <p>2PCS</p>	<p>19</p>  <p>2PCS</p>	<p>20</p>  <p>4PCS</p>
<p>21</p>  <p>10PCS</p>	<p>22</p>  <p>2PCS</p>	<p>23</p>  <p>1PC</p>	<p>24</p>  <p>2PCS</p>
<p>25</p>  <p>2PCS</p>	<p>26</p>  <p>8PCS</p>	<p>27</p>  <p>4PCS</p>	<p>28</p>  <p>1PC</p>
<p>29</p>  <p>2PCS</p>	<p>30</p>  <p>1PC</p>		

Hardware List

<p>A</p>  <p>M6X12mm 10pcs</p>	<p>B</p>  <p>M6X15mm 10pcs</p>	<p>C</p>  <p>M6X35mm 5pcs</p>	<p>D</p>  <p>M6X60mm 2pcs</p>
<p>E</p>  <p>M6X17mm 9pcs</p>	<p>F</p>  <p>M6X28mm 24pcs</p>	<p>G</p>  <p>M6X40mm 16 pcs</p>	<p>H</p>  <p>M6X50mm 10pcs</p>
<p>I</p>  <p>φ6x35mm 20pcs</p>	<p>J</p>  <p>φ15x10mm 20pcs</p>	<p>K</p>  <p>φ6x30mm 32pcs</p>	<p>L</p>  <p>M4X35mm 12pcs</p>
<p>M</p> <p>M4X12mm 64pcs</p>	<p>N</p>  <p>M4 2pcs</p>	<p>O</p>  <p>5pcs</p>	<p>P</p>  <p>1pc</p>
<p>Q</p>  <p>1pc</p>			

SETP 1



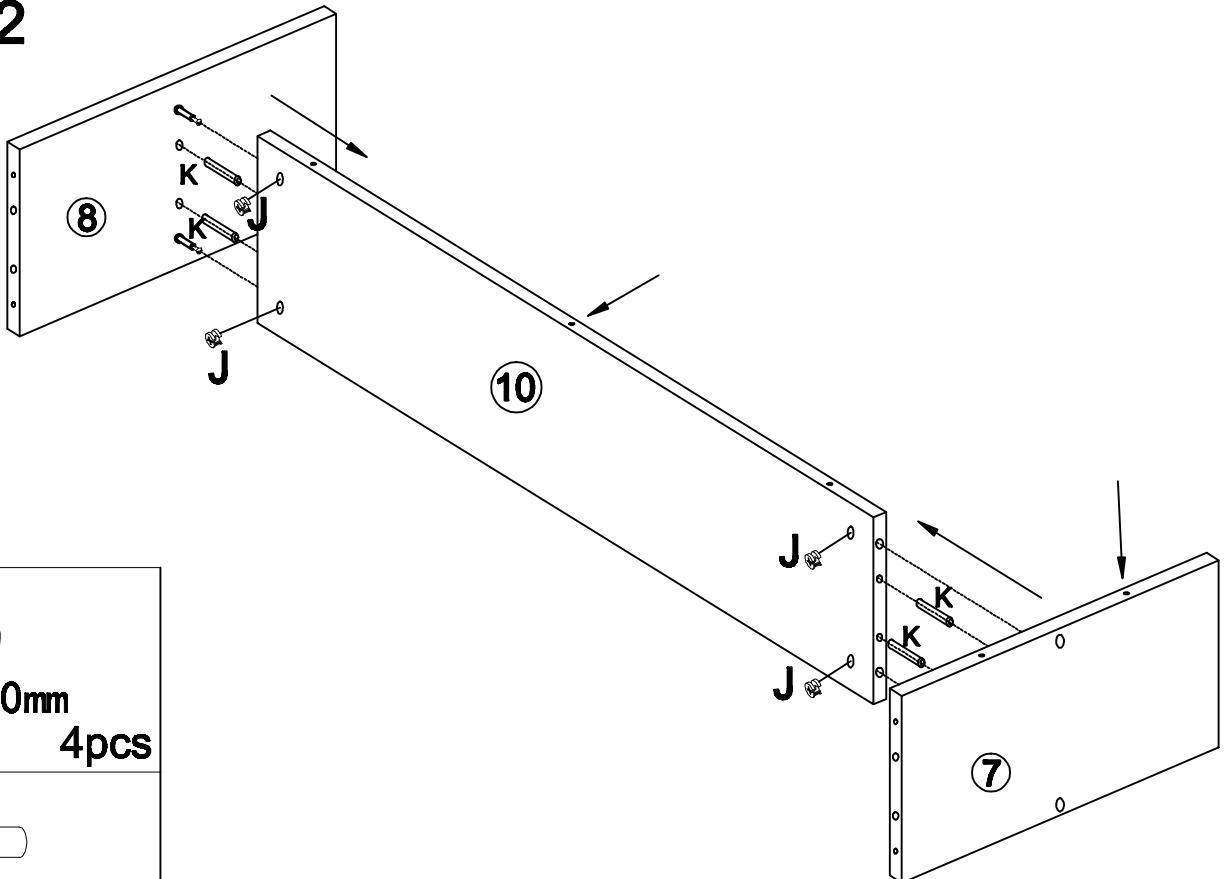
X2

I

$\phi 6 \times 35 \text{mm}$

8pcs

SETP 2



J

$\phi 15 \times 10 \text{mm}$

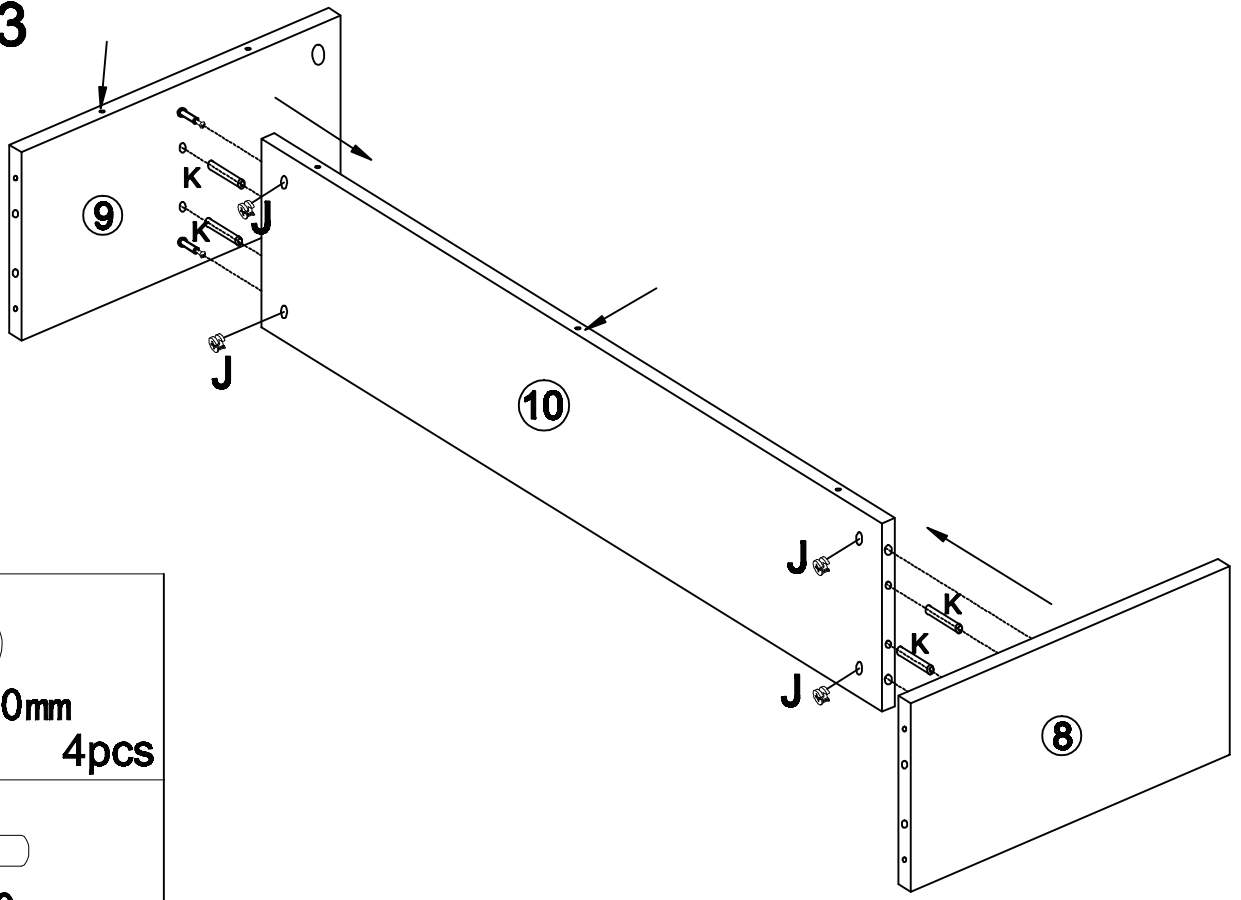
4pcs

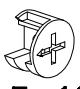
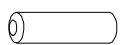
K

$\phi 6 \times 30 \text{mm}$

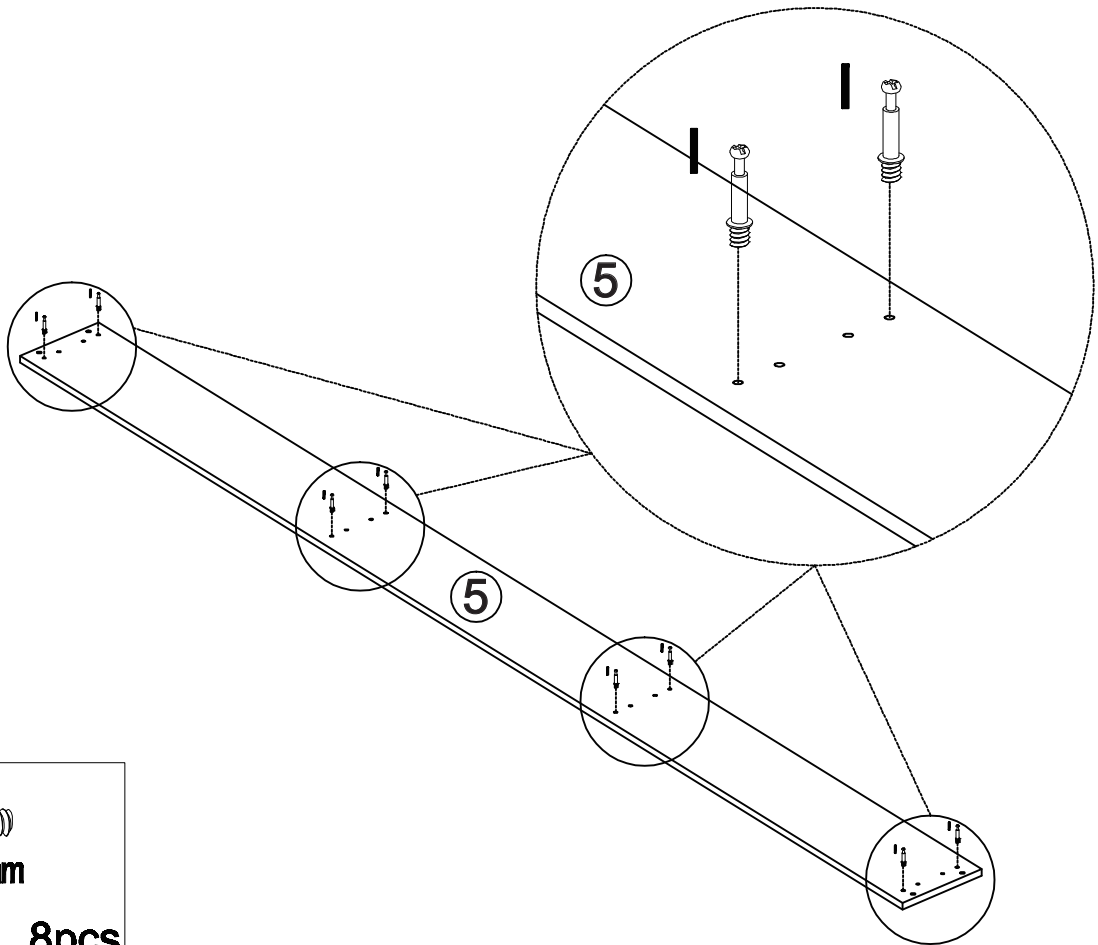
4pcs

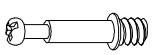
SETP 3



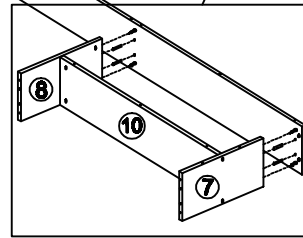
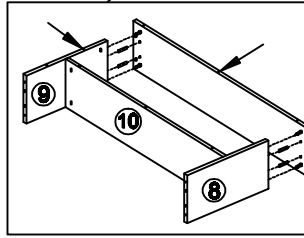
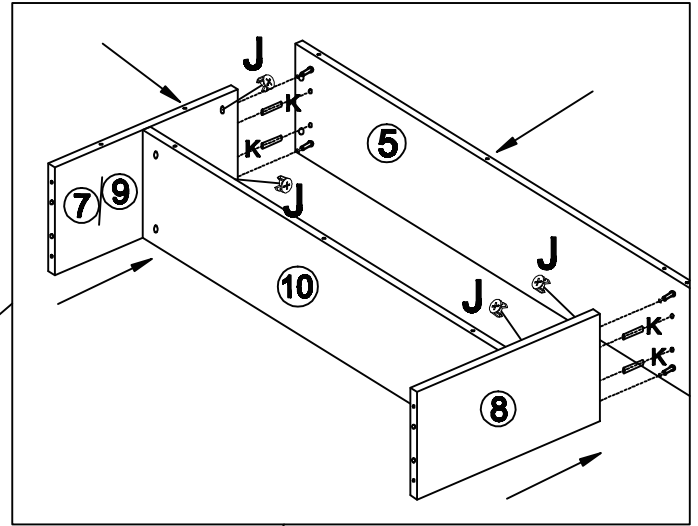
- J**

Ø15x10mm
4pcs
- K**

Ø6x30mm
4pcs

SETP 4



- I**

Ø6x35mm
8pcs

SETP 5



J



φ15x10mm

8pcs

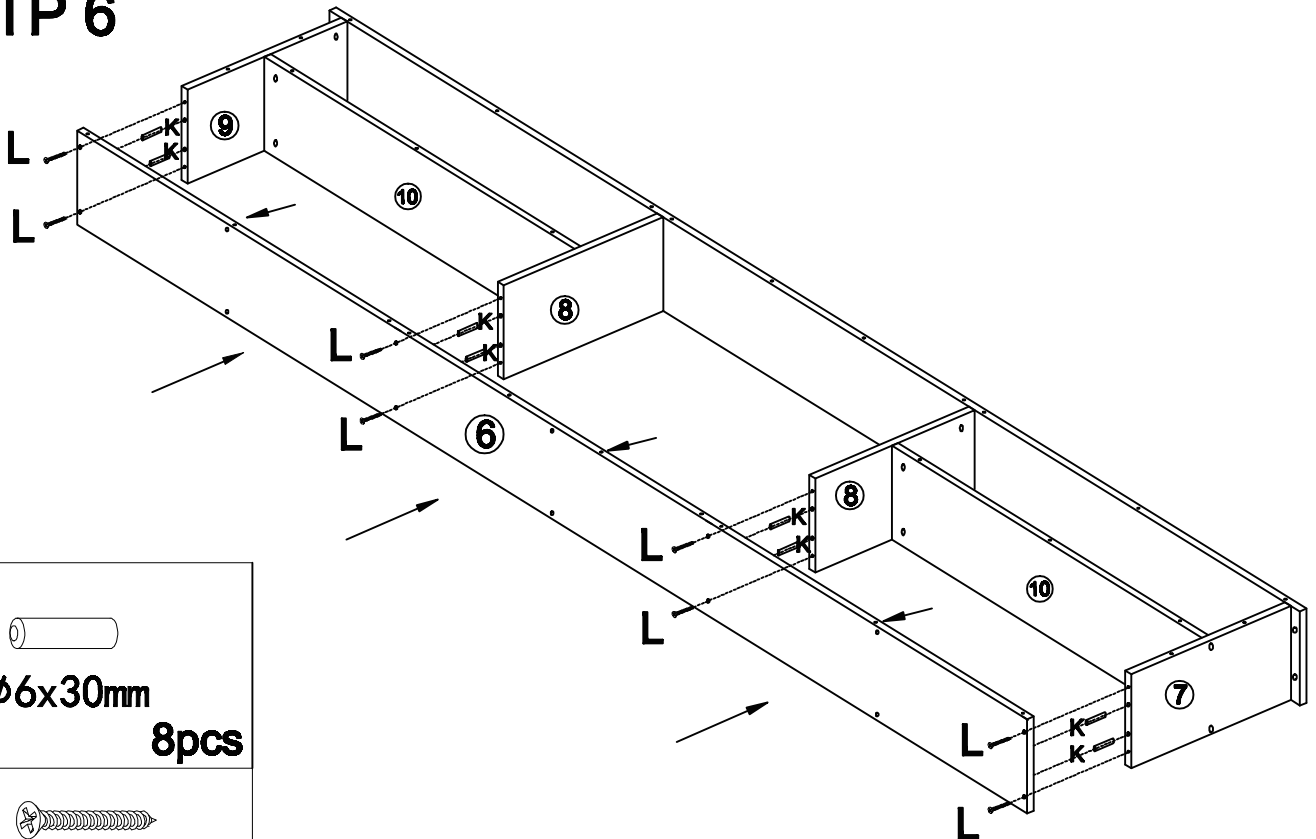
K



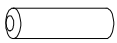
φ6x30mm

8pcs

SETP 6



K



φ6x30mm

8pcs

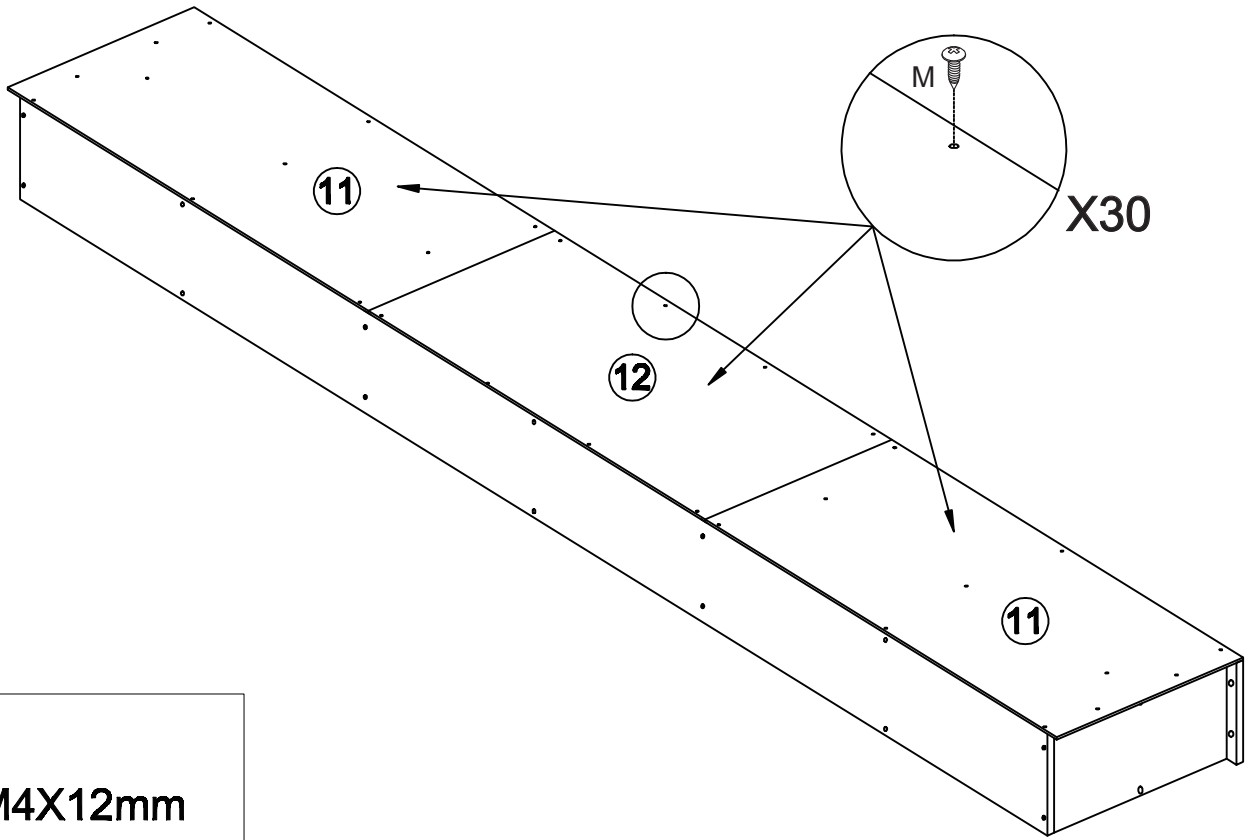
L



M4X35mm

8pcs

STEP 7

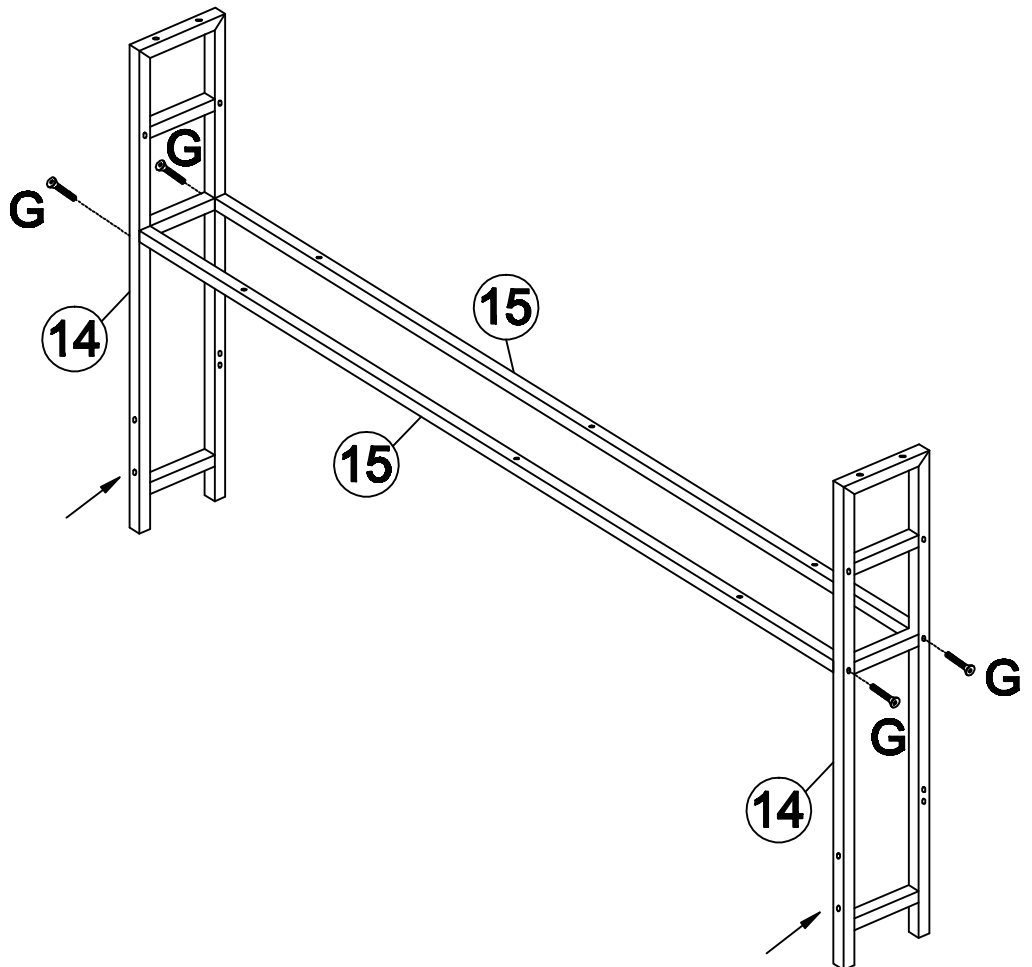


M

M4X12mm

30pcs

STEP 8

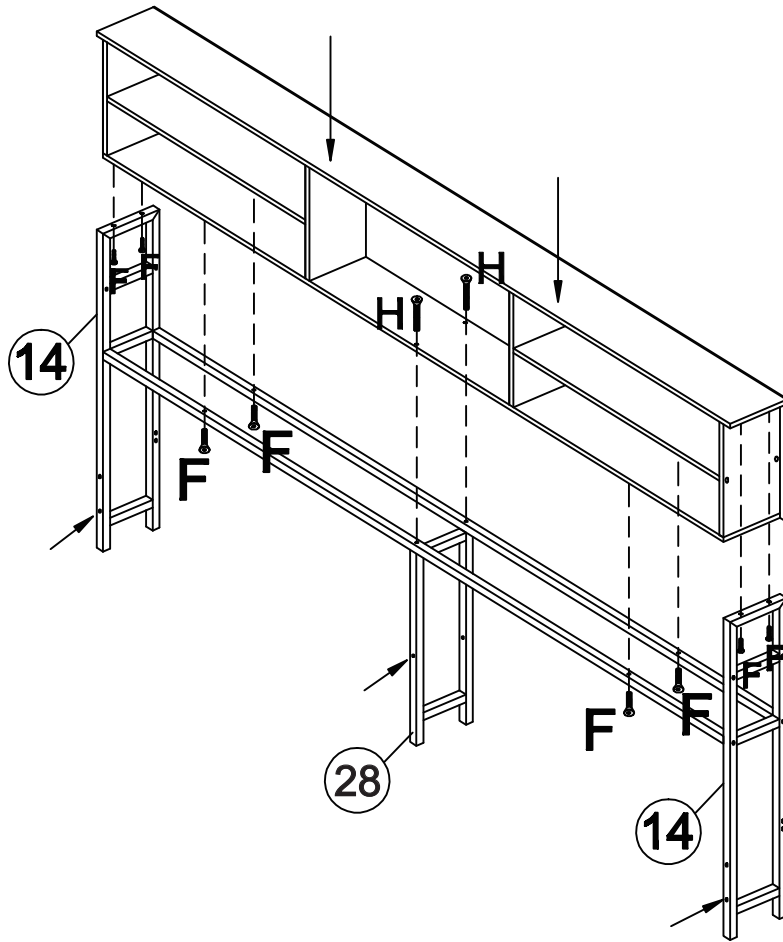


G

M6X40mm


4pcs

SETP 9

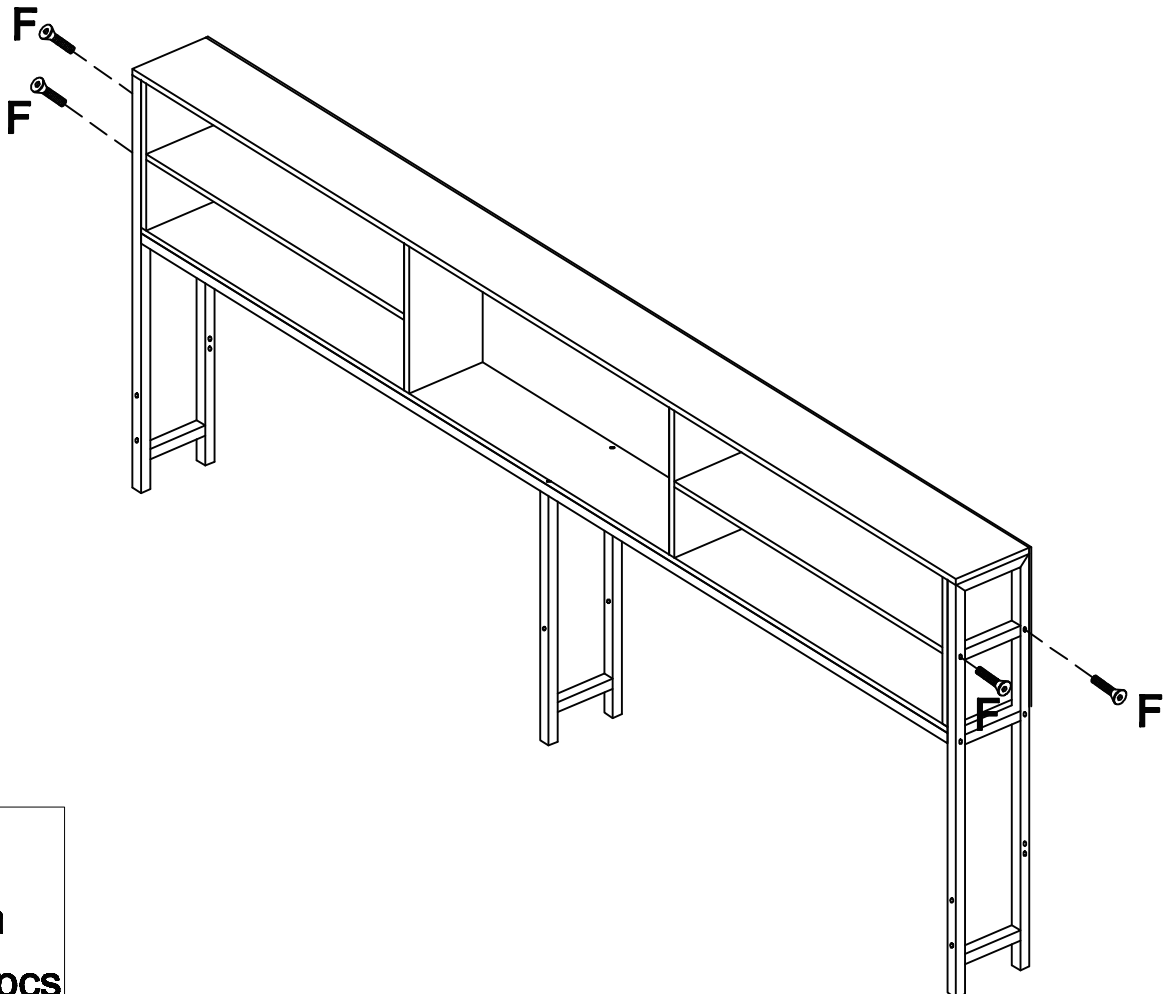


F

M6X28mm
8pcs

H

M6X50mm
2pcs

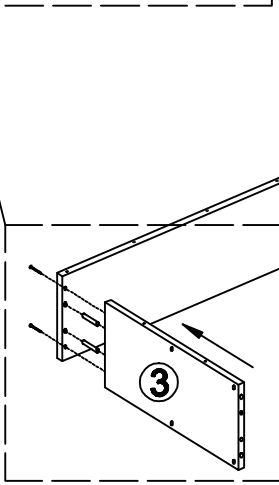
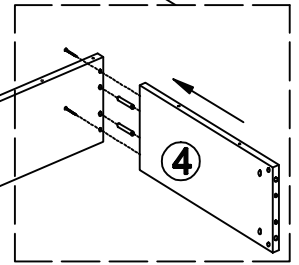
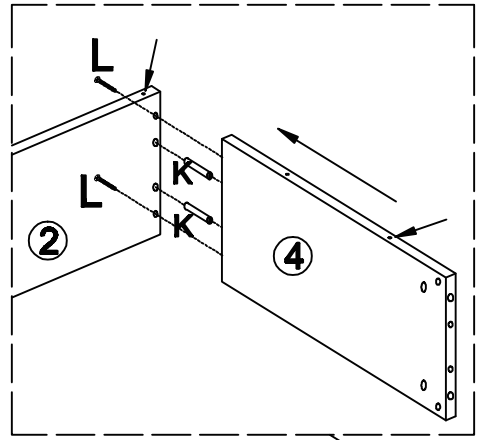
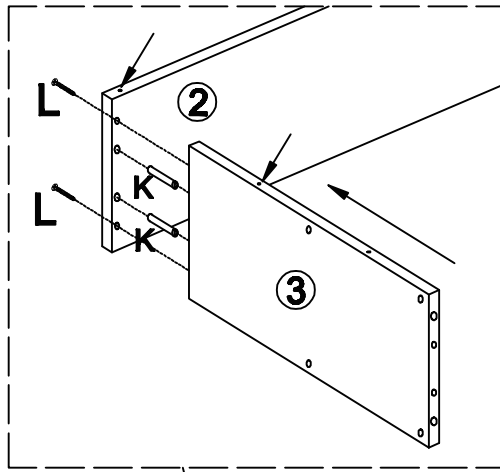
SETP 10



F

M6X28mm
4pcs

STEP 11



K



$\phi 6 \times 30 \text{mm}$

4pcs

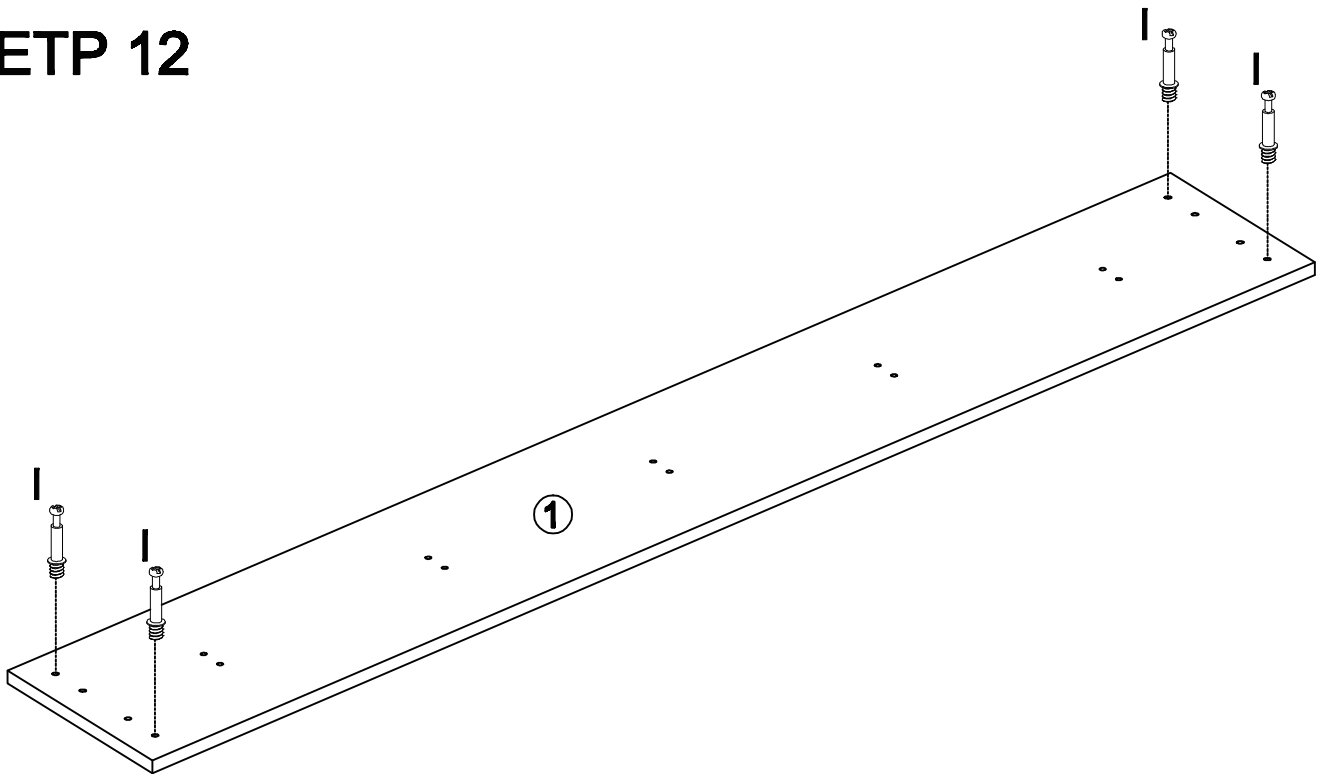
L



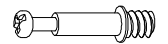
M4X35mm

4pcs

STEP 12



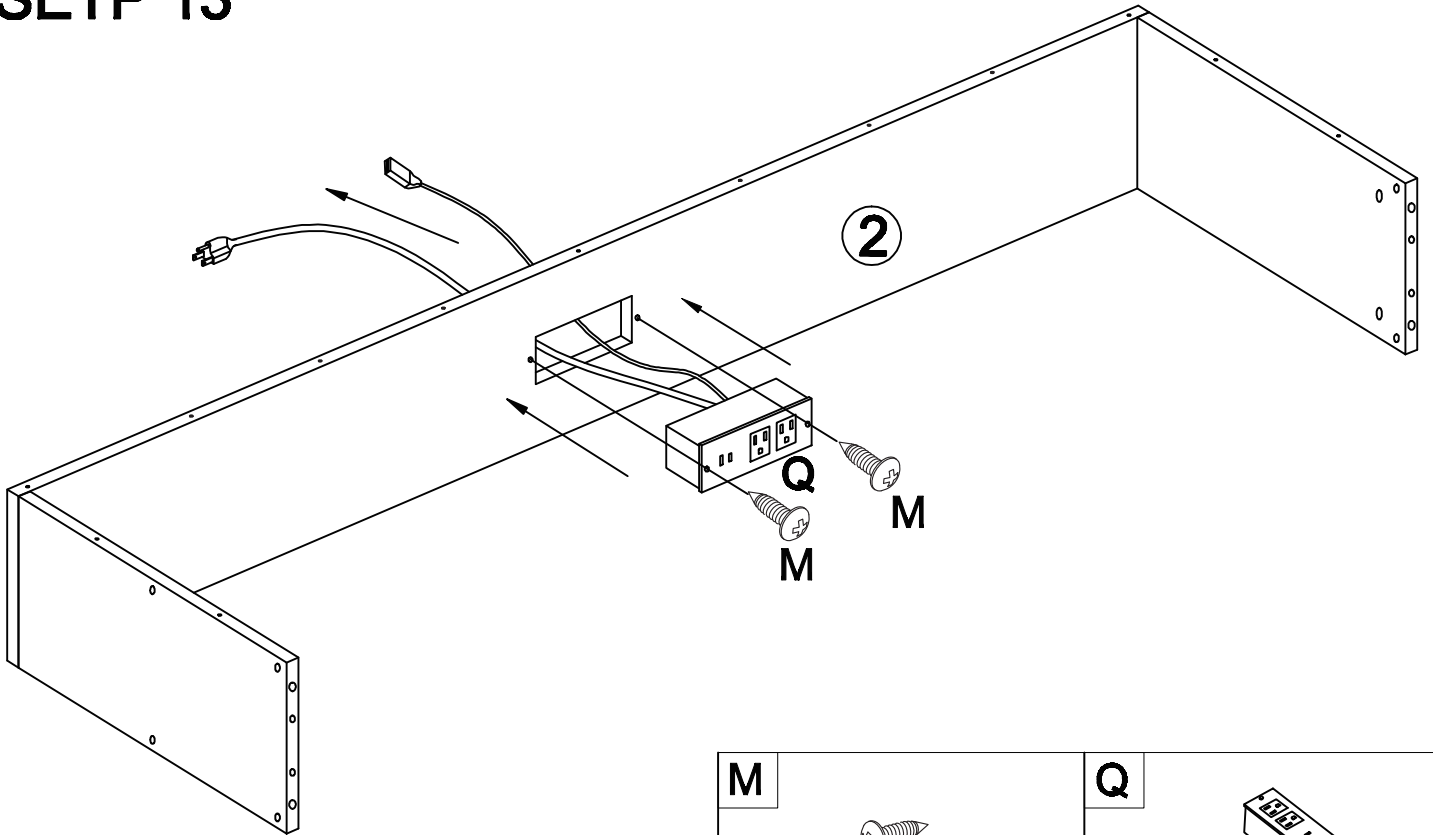
I


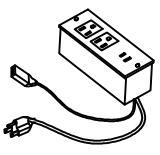


$\phi 6 \times 35 \text{mm}$

4pcs

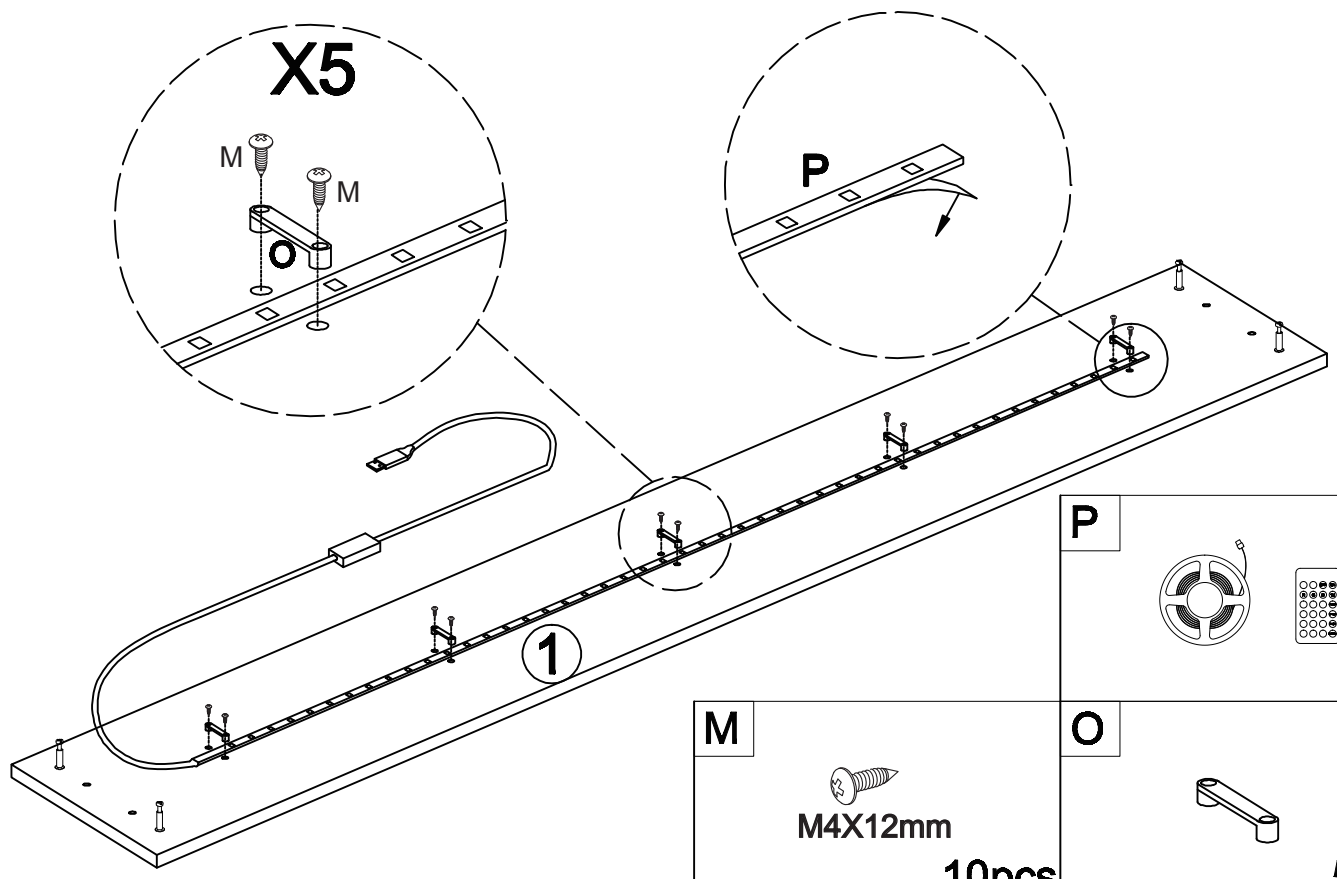
SETP 13


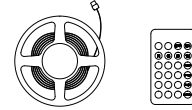
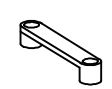


<p>M</p>  <p>M4X12mm</p> <p>2pcs</p>	<p>Q</p>  <p>1pc</p>
---	---

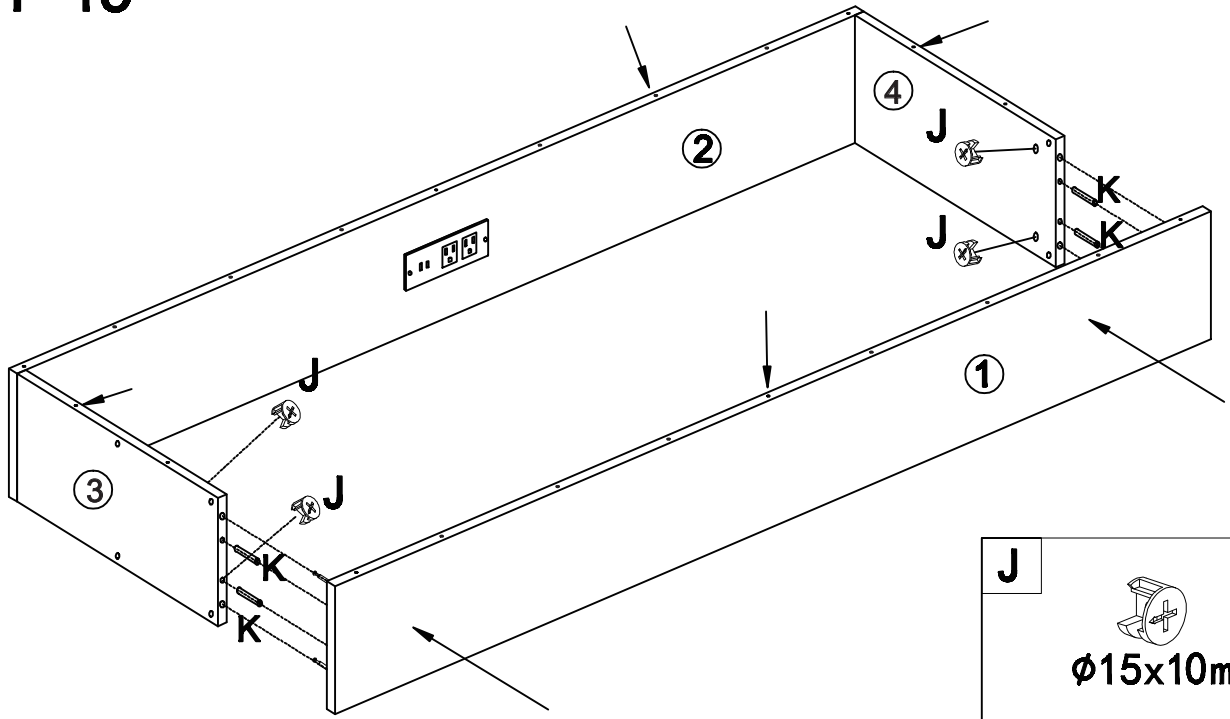
SETP 14

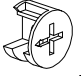

Tear off the sticky paper and stick it in the middle of the two holes, with both ends equidistant from the edges.



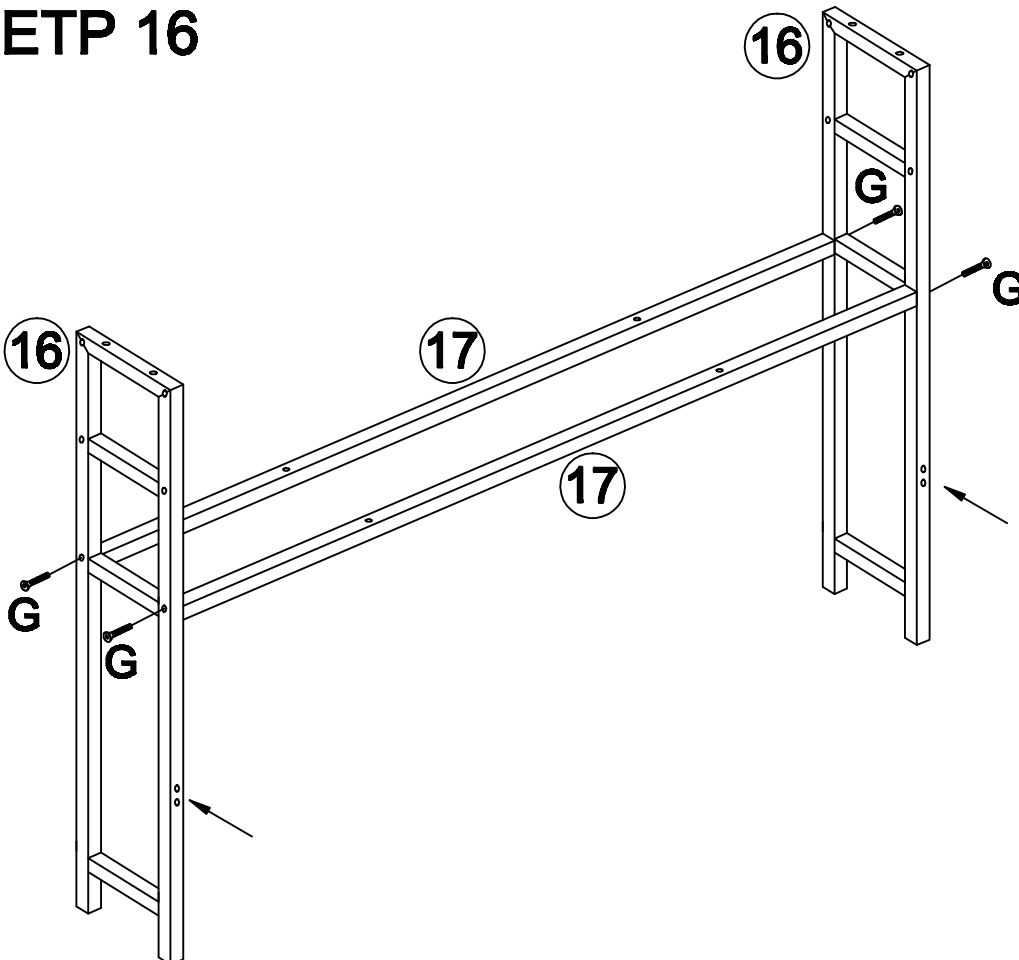
<p>M</p>  <p>M4X12mm</p> <p>10pcs</p>	<p>P</p>  <p>1pc</p>
<p>O</p>  <p>5pcs</p>	


SETP 15



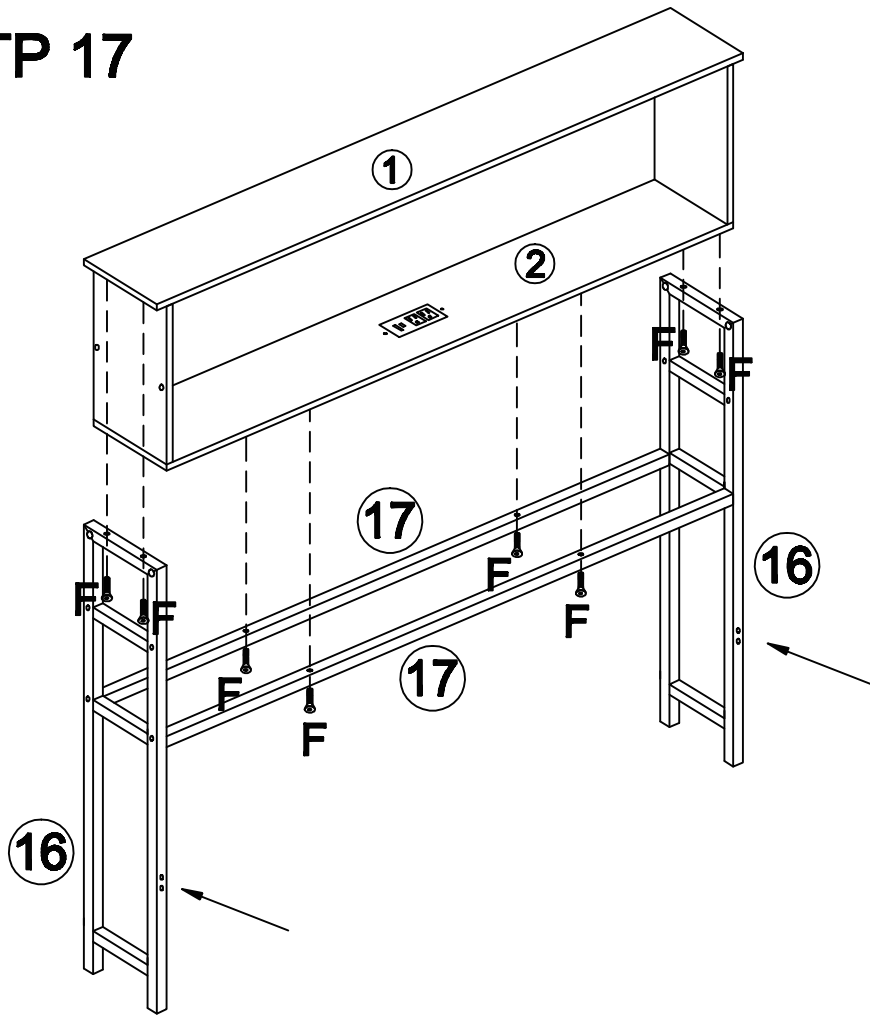
J	 $\phi 15 \times 10 \text{mm}$ 4 pcs
K	 $\phi 6 \times 30 \text{mm}$ 4 pcs


SETP 16



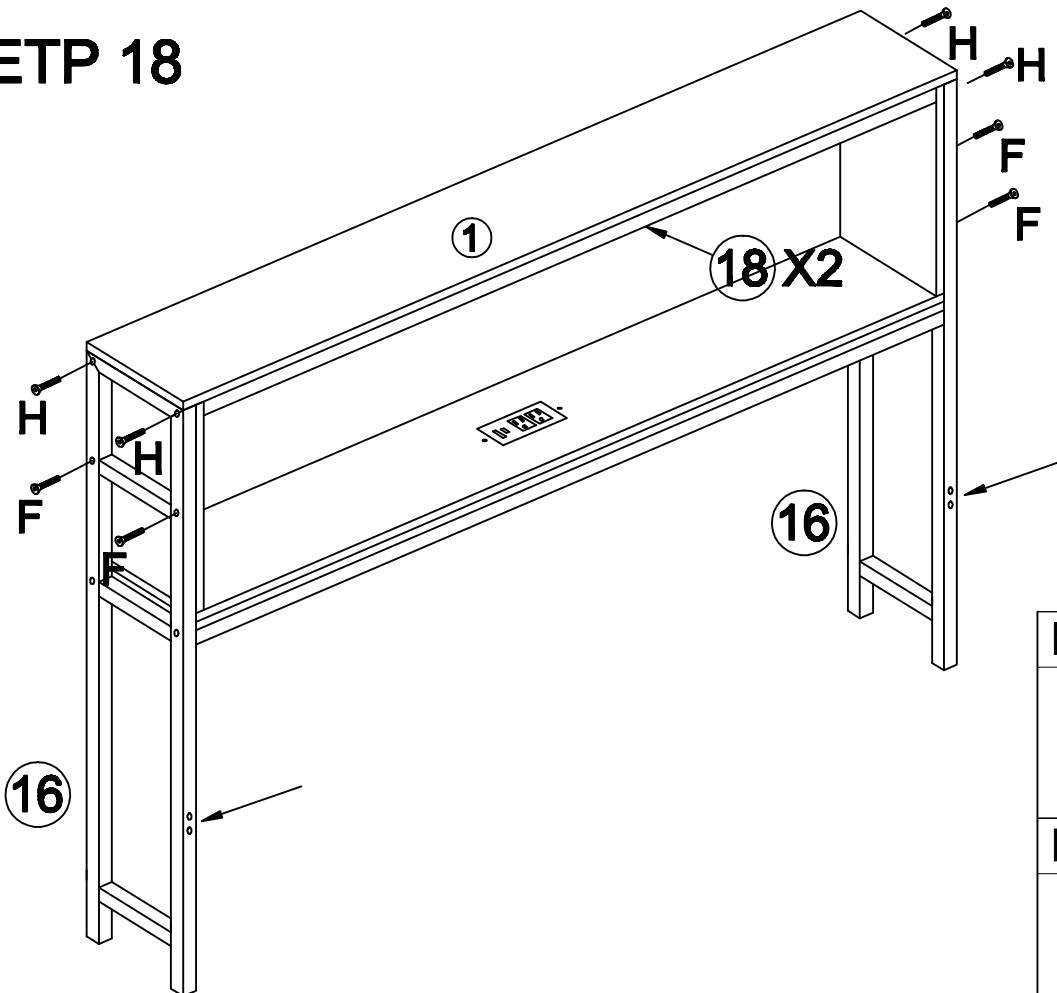
G	 M6X40mm 4 pcs
---	---

SETP 17




F	
	M6X28mm
	8pcs

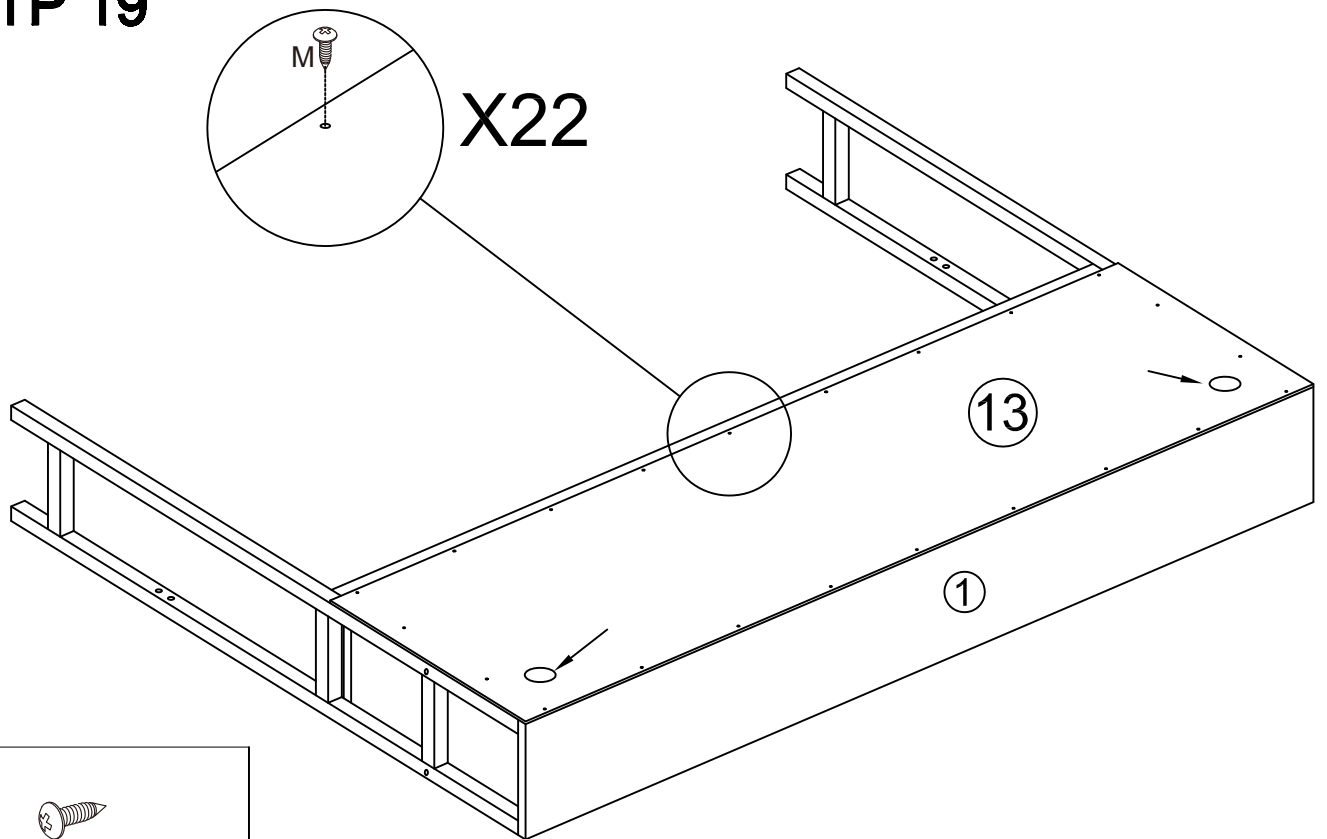
SETP 18



F	
	M6X28mm
	4pcs

H	
	M6X50mm
	4pcs

SETP 19

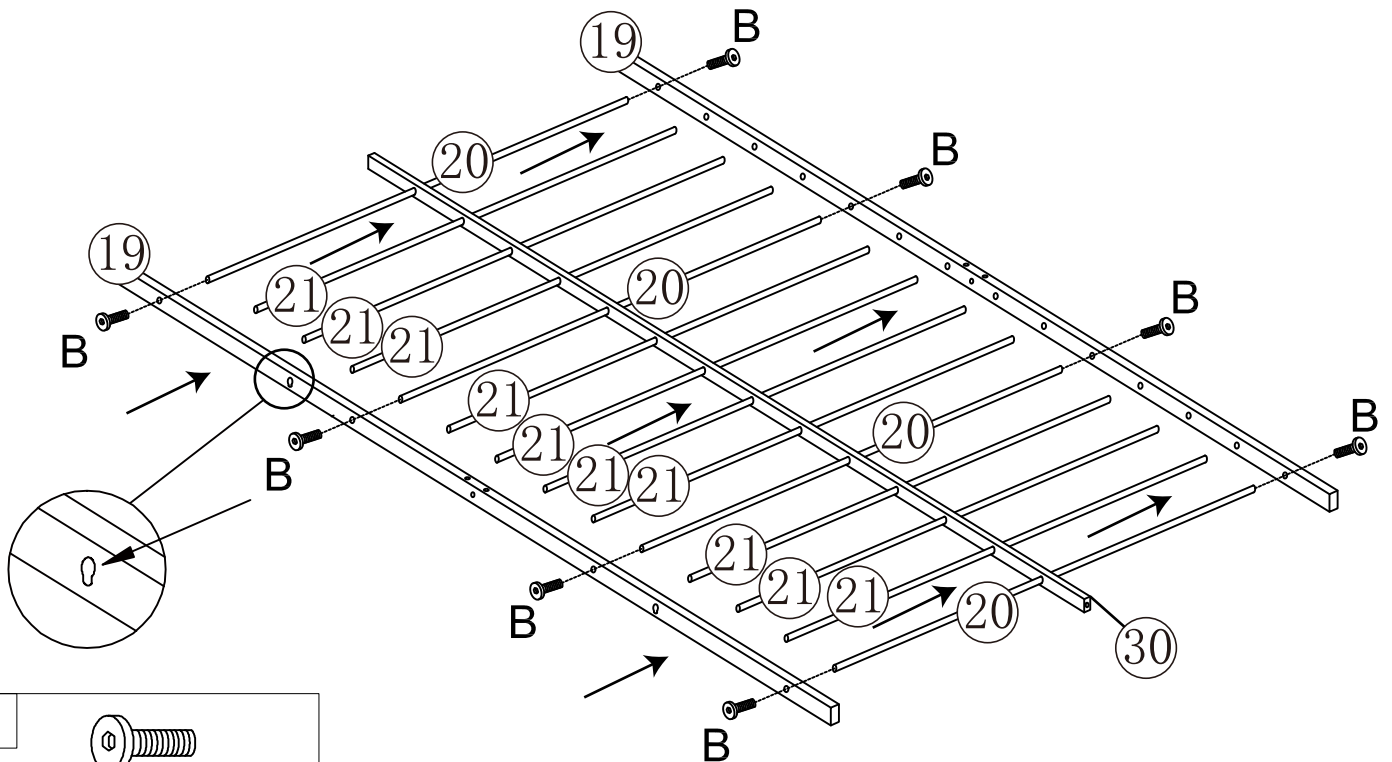


M




M4X12mm
22pcs

SETP 20

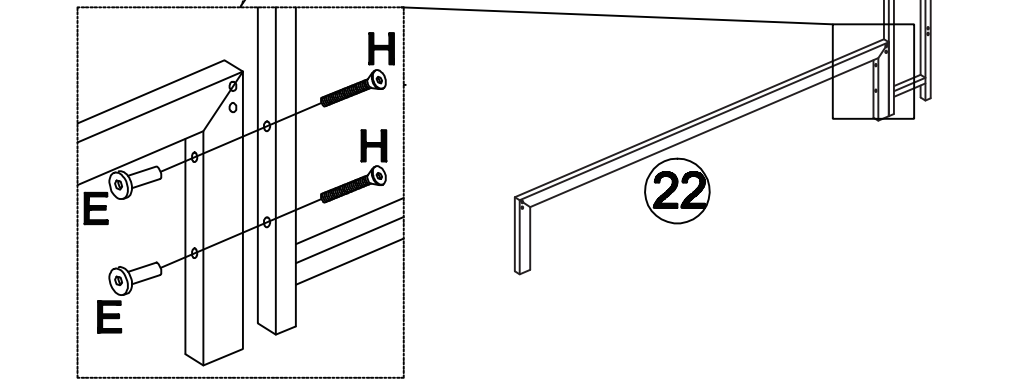
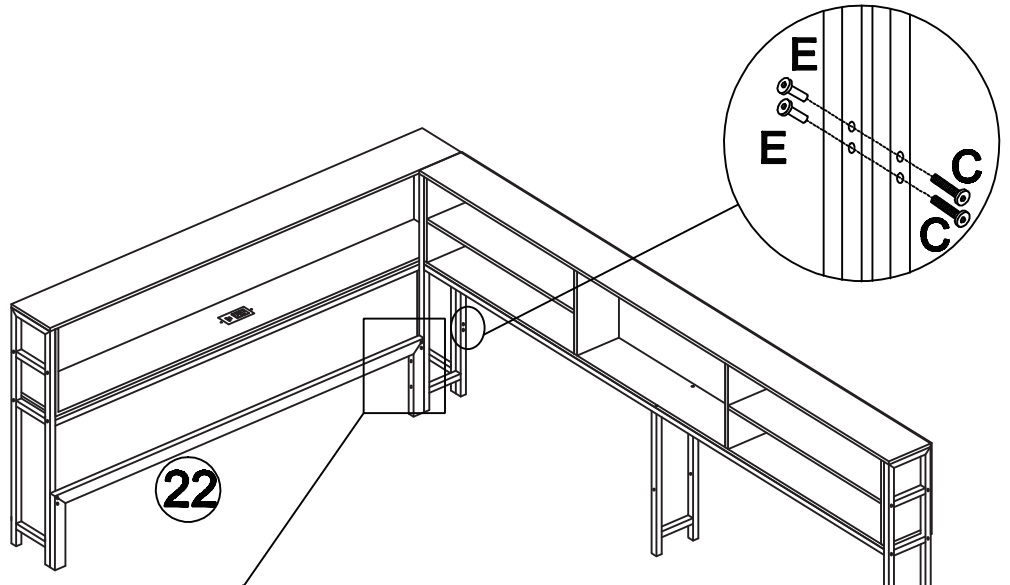


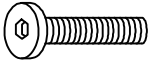
B

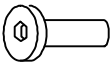



M6X15mm
8pcs

SETP 21

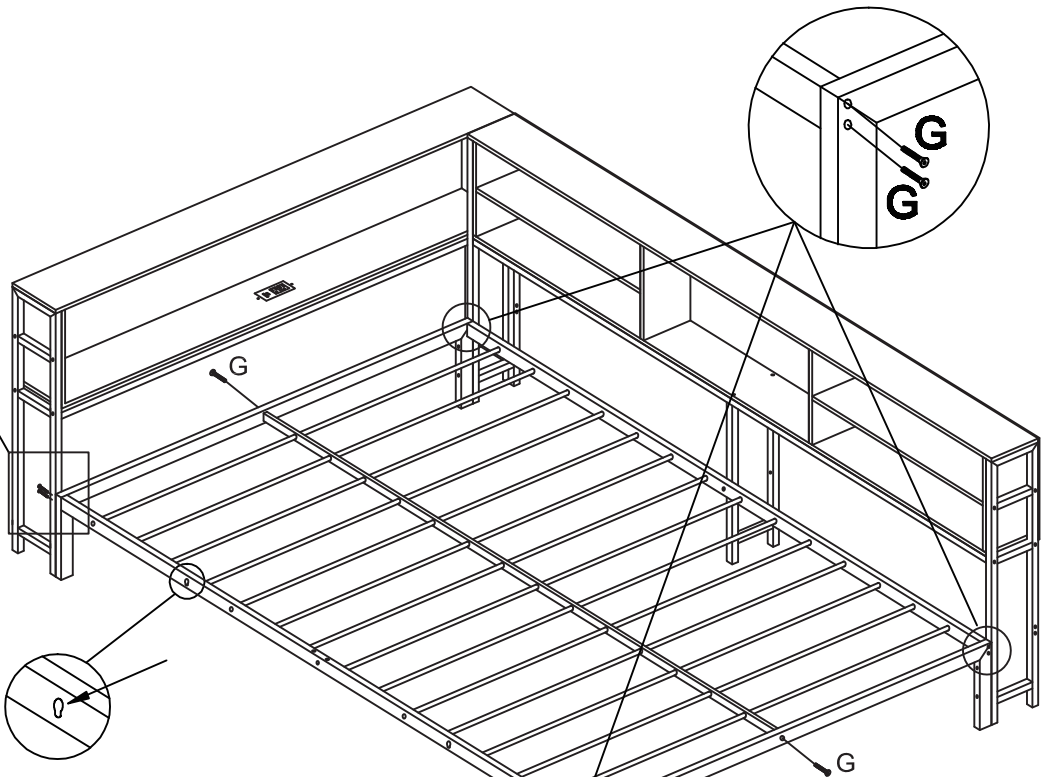
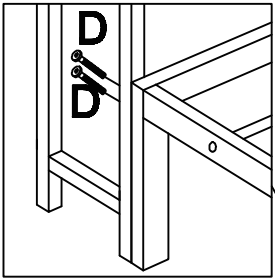



C

M6X35mm
2pcs

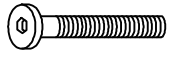
E

M6X17mm
6pcs

H

M6X50mm
4pcs

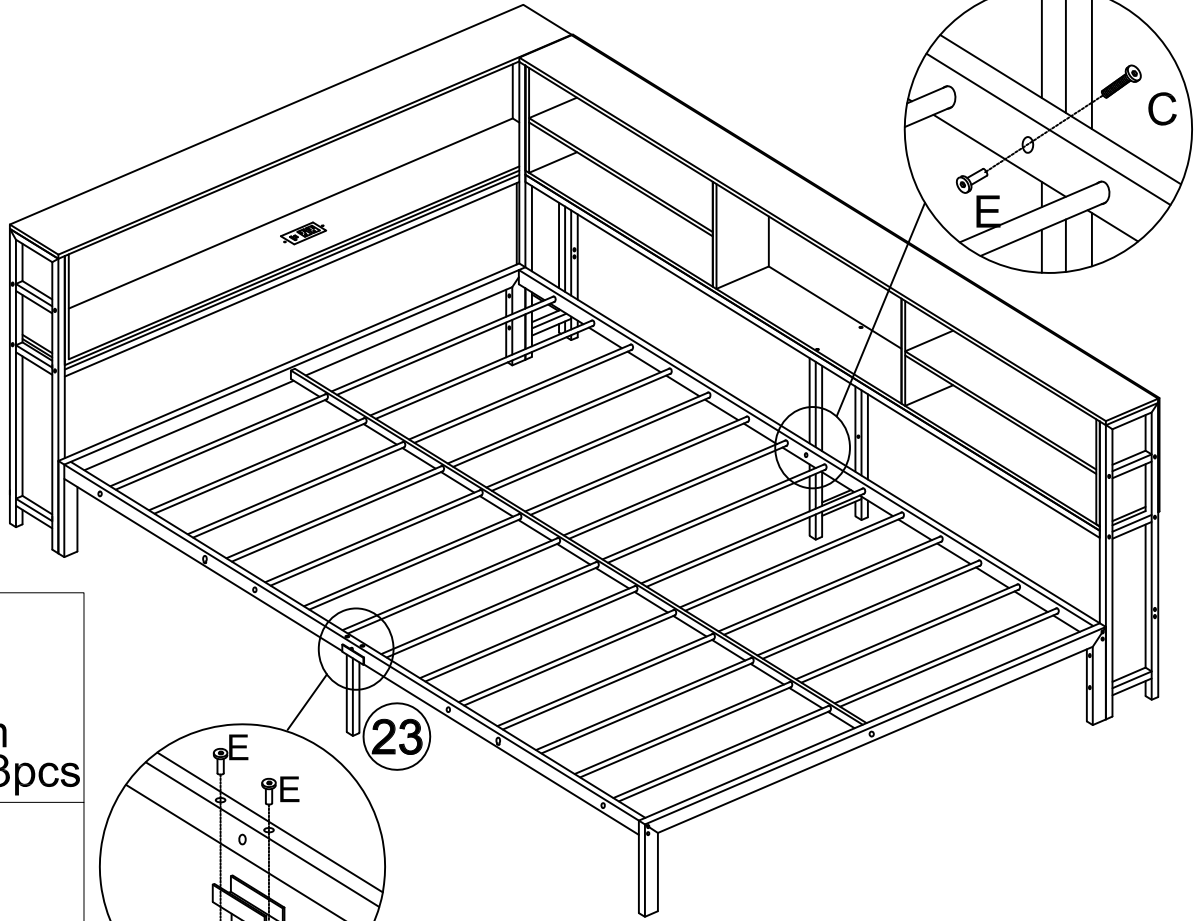
SETP 22



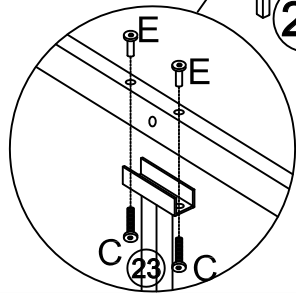
G

M6X40mm
8pcs

D

M6X60mm
2pcs

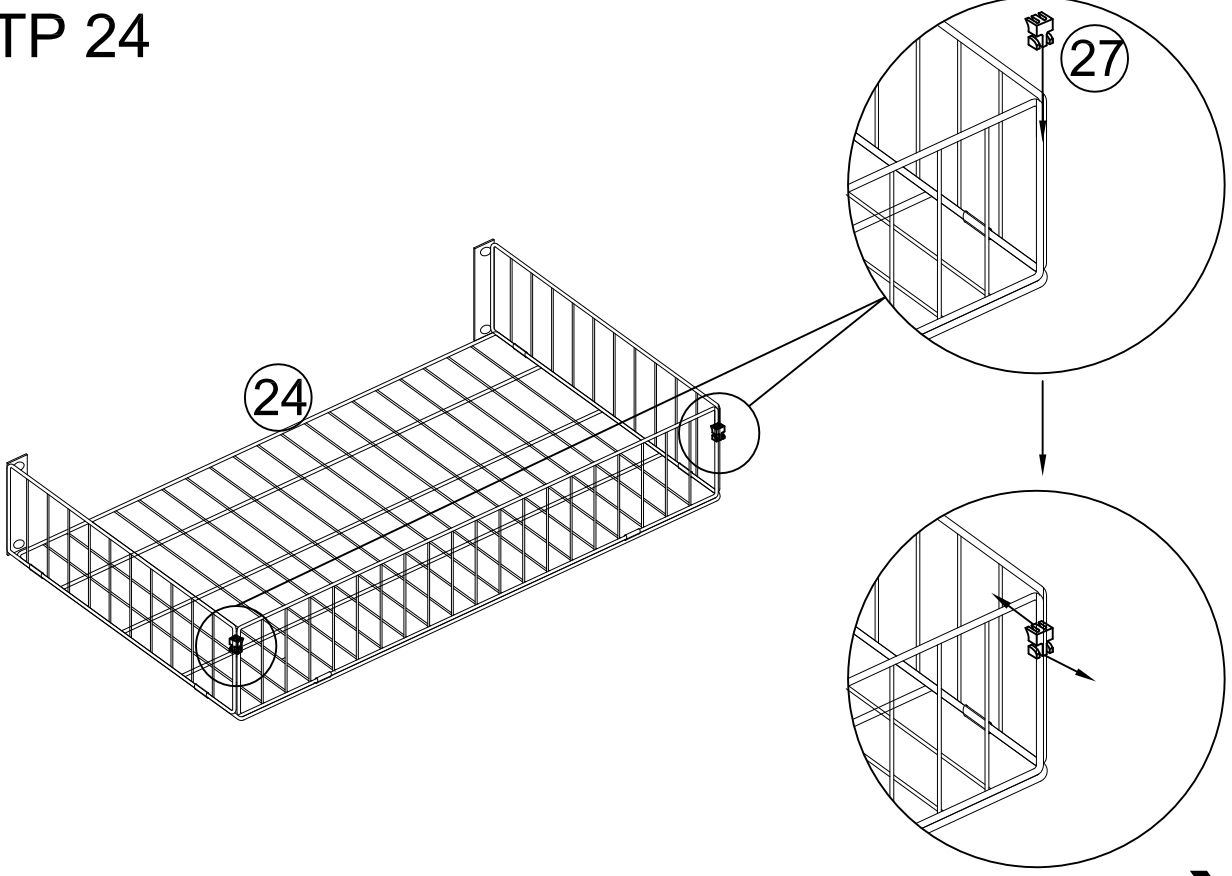
SETP 23



- C**
M6X35mm
3pcs
- E**
M6X17mm
3pcs

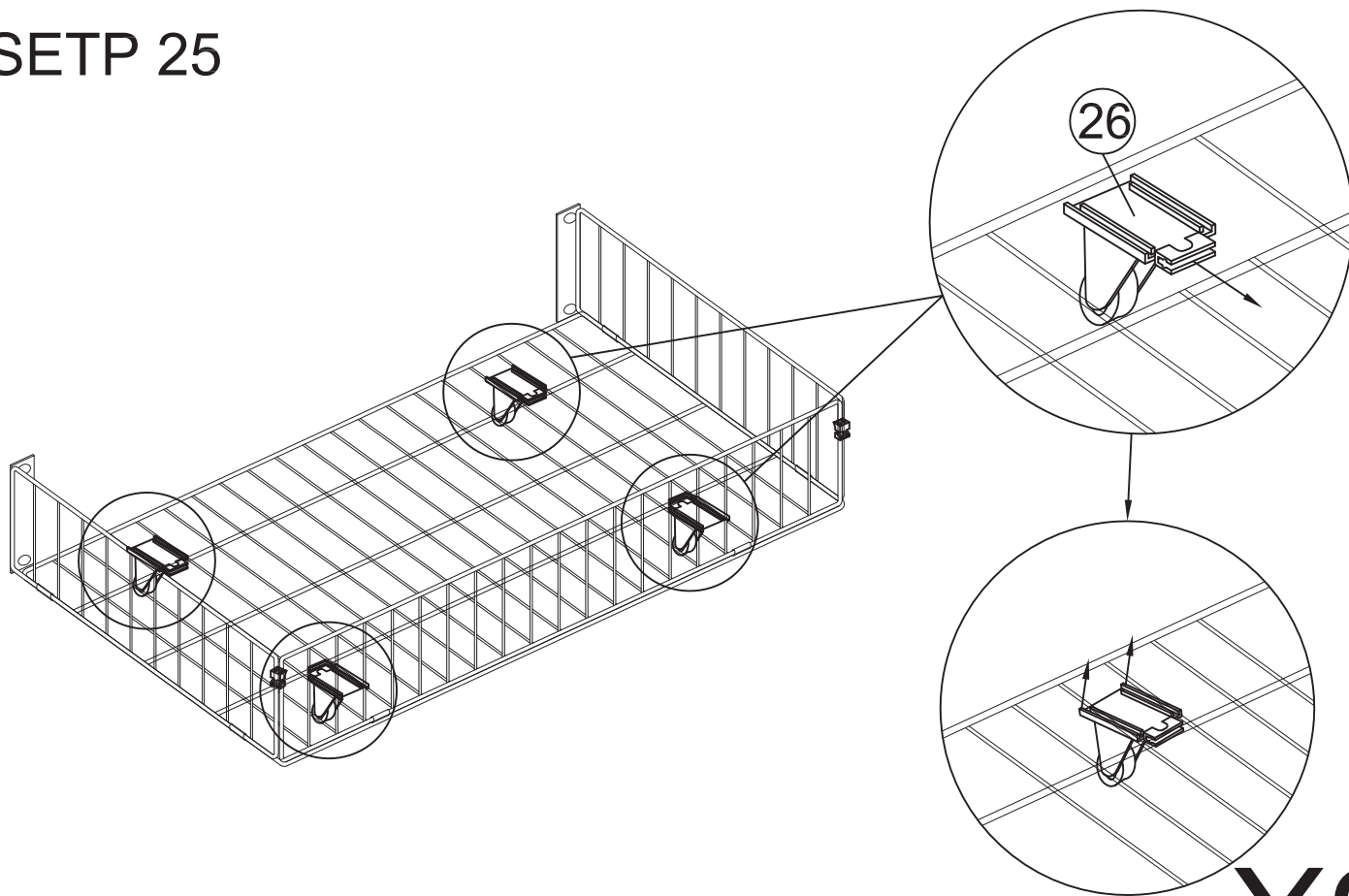


SETP 24



X2

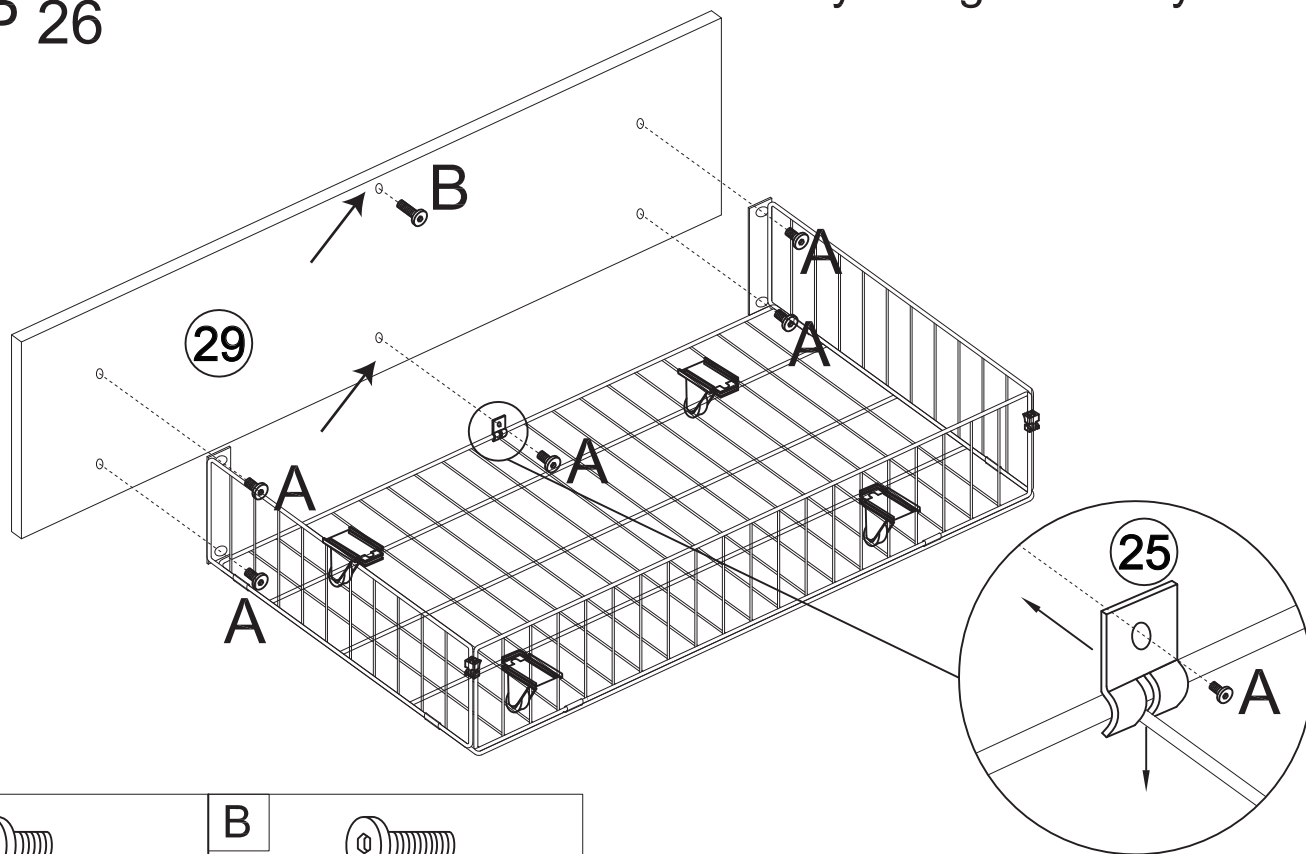
SETP 25



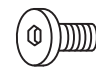
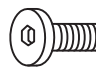
X2

SETP 26

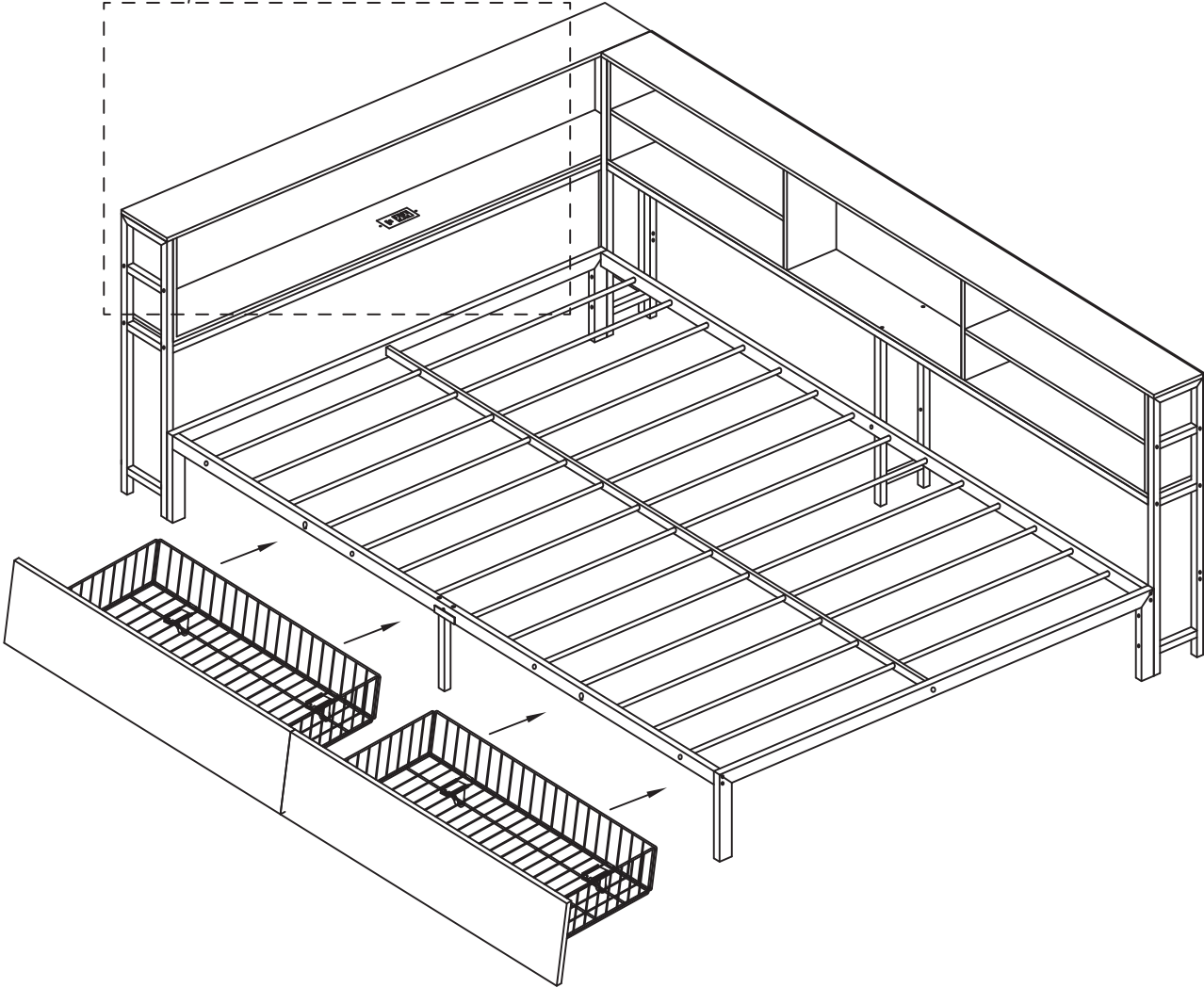
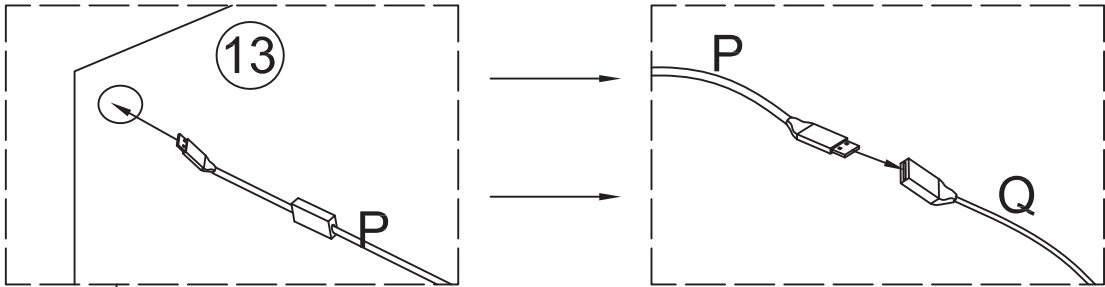
B screw can only be tightened by hand.



X2

<p>A</p>  <p>M6X12mm 10pcs</p>	<p>B</p>  <p>M6X15mm 2pcs</p>
--	---

SETP 27



Another way to assemble the bookcase on the bed

