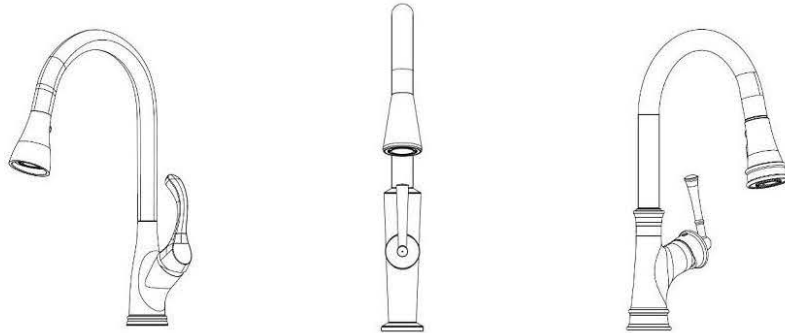




INSTALLATION AND CARE GUIDE

PULL-DOWN KITCHEN FAUCET



Questions, problems, replacement part? Anything need help, please send email to: cs@appasofaucet.com

THANK YOU

We appreciate the trust and confidence you have placed in APPASO through the purchase of this kitchen faucet. We strive to continually create quality product designed to enhance your home. Visit us online to see our full line of products available for your home improvement needs. Thank your for choosing APPASO!

www.appasofaucet.com

Table of Contents

Important Information1	Installation3-7
Warranty1	Faucet maintenance8
Pre-Installation1	Care and Cleaning 9
Planning Installation.....1	Troubleshooting9
Tools and Hardware Required.....1	Install the soap dispenser10
Package Contents.....2	Contact Informations11

Important Information

- Observe all local plumbing and building codes. Cover the sink drain to avoid losing any parts.
 Review the care and cleaning section included in this guide.

Warranty

LIMITED LIFETIME WARRANTY

APPASO product are manufactured with superior quality standards and workmanship and are backed by our limited lifetime Warranty. APPASO products are warranted to the original consumer purchaser to be free of defects in materials or workmanship. We will replace FREE OF CHARGE any product or parts that prove defective. Simple, return the product/part to us. Or send email to cs@appasofaucet.com to receive the replacement item. Proof of purchase (original sales receipt) from the original consumer purchaser must be made available for all APPASO claims.

This warranty excludes incidental/inconsequential damages and failures due to misuse, abuse or normal wear and tear. This warranty excludes all industrial, commercial & business usage, whose purchasers are hereby, extended a five year limited warranty from the date of purchase, with all other terms of this warranty applying except the duration of warranty.

Some states and provinces do not allow the exclusion of limitation of incidental or consequential damages, so the above limitations may not apply to you. This warranty gives you specific legal rights and you may also have other rights that vary from state to state and province to province. Please send email to cs@appasofaucet.com for more details.

Pre-Installation

PLANNING INSTALLATION

Before beginning the installation of this product, ensure all parts are present. Compare parts with the Package Contents list. If any part is missing or damaged, do not attempt to install the product. Contact Customer Service for replacement parts.

TOOLS AND HARDWARE REQUIRED

-1-



Screwdriver



Adjustable Wrench



Goggles



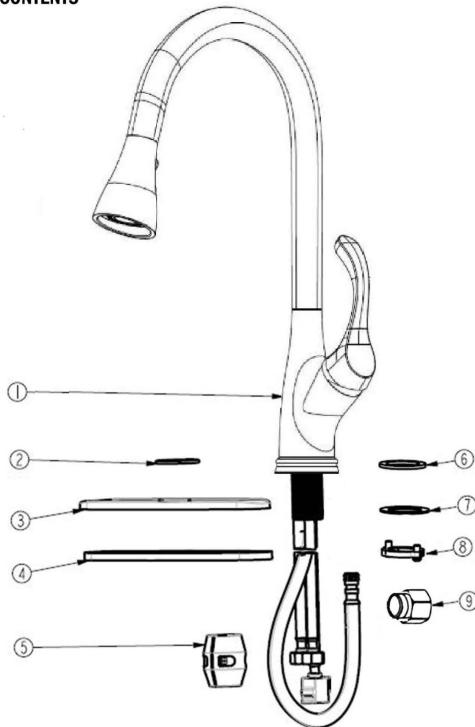
3/8"



BUCKET

Pre-Installation

PACKAGE CONTENTS



Part	Description	Quantity
1	Faucet assembly	1
2	Gasket	1
3	Escutcheon	1
4	Seal	1
5	Weight	1
6	Rubber gasket	1
7	Steel gasket	1
8	Nut	1
9	1/2" adapter	2

www.appasofaucet.com
Please contact cs@appasofaucet.com for future assistance

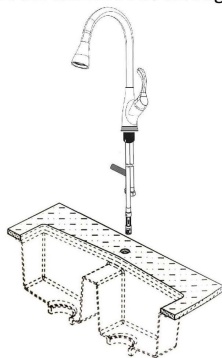
Installation

**1 Installing the faucet assembly
(For Single-Hole sinks)**

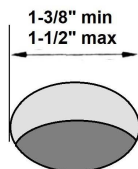
CAUTION: Always shut off the water supply before removing an existing faucet or replacing any part of a faucet. Open the faucet handle to relieve water pressure and ensure that the water is completely shut off.

NOTE: This step is for no escutcheon installation (optional). If the escutcheon will be used, install the faucet assembly as described in step 2.

- Shut off the water supply.
- Insert the faucet body through the hole in the sink.



Pre-drilled hole size: 1-3/8"~1-1/2"

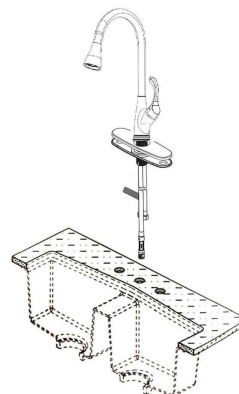


-3-

**2 Installing the faucet assembly
(For Three-Hole sinks)**

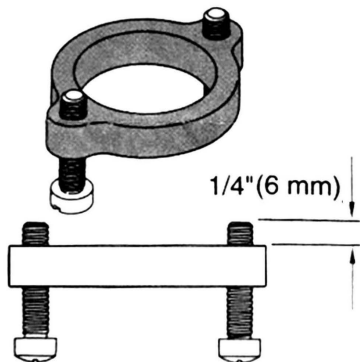
NOTE: This step is for escutcheon installation (optional). If the escutcheon will not be used, install the faucet assembly as described in step 1.

- Shut off the water supply.
- Place the escutcheon(3) and the seal(4) on the bottom of the new faucet assembly(1)
- Insert the faucet body through the hole in the sink



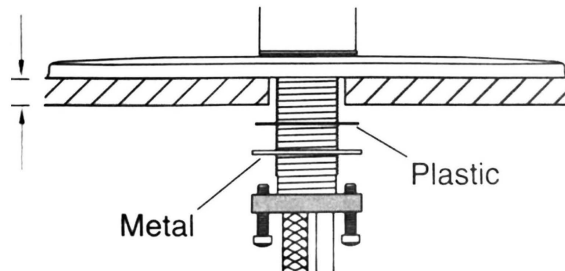
Installation

3 Partially thread the screws into the ring until they extend 1/4" (6mm) out the opposite side.



4 Slide on the washers and thread the ring onto the shank.

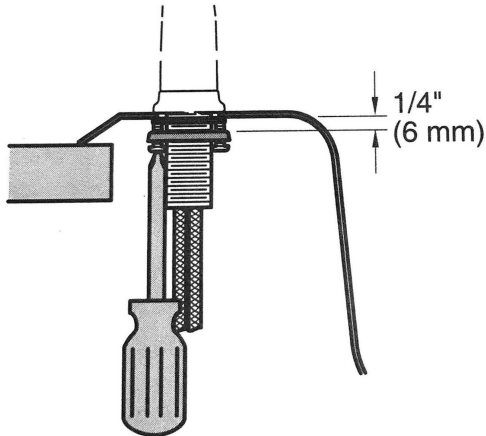
NOTE:
 Max countertop thickness without deck plate: 2.7"
 Max countertop thickness with deck plate: 2.4"



-4-

Installation

5 Position the screws to the front and back. Tighten the screws.

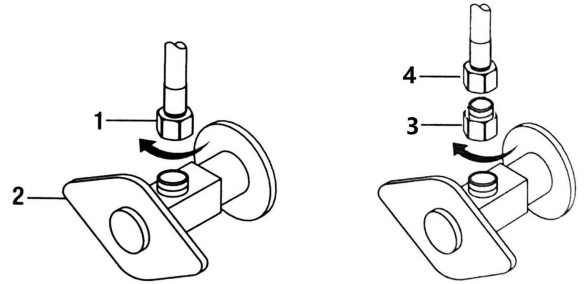


-5-

6 Making the water supply connections

NOTE: The hot side and cold side inlet tube are indicated by color. Red for Hot side and Blue for Cold side. Avoid twisting wires together or placing the wires close to each other and damaging

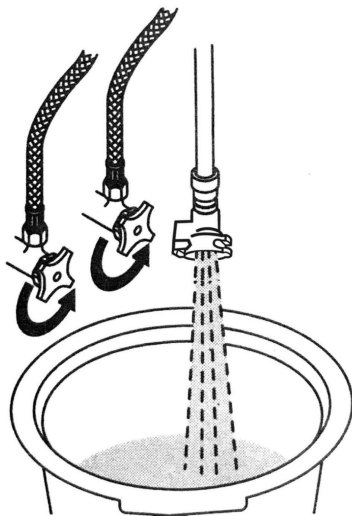
- Thread the nut(1) on the supply line onto the outlet of the water supply valve(2) and tighten with a wrench. Do not overtighten



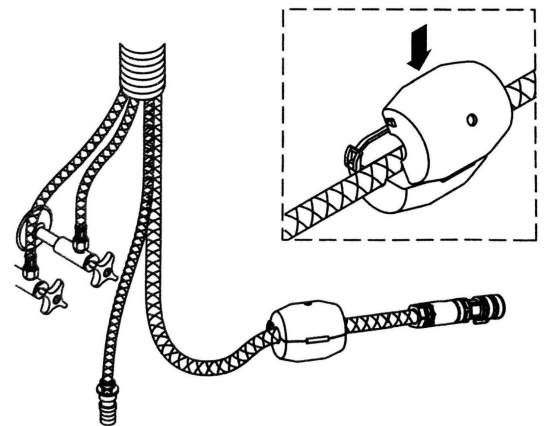
- If the size of the water supply valve is 1/2", first screw in the 1/2" adapter and then screw in the water inlet nut of the faucet. (3~4)

Installation

7 Turn on the water, flush the hot and cold water for 1 minute and check for leaks.



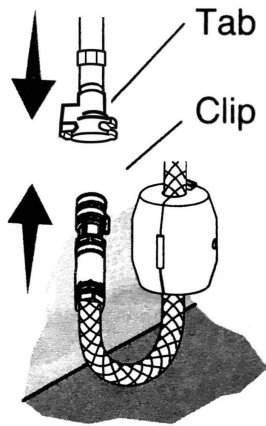
8 Loosely attach the weight to the spray hose



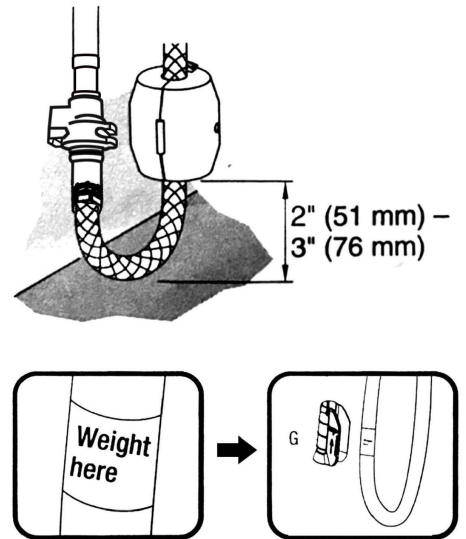
-6-

Installation

9 Connect the spray hose to the quick connector



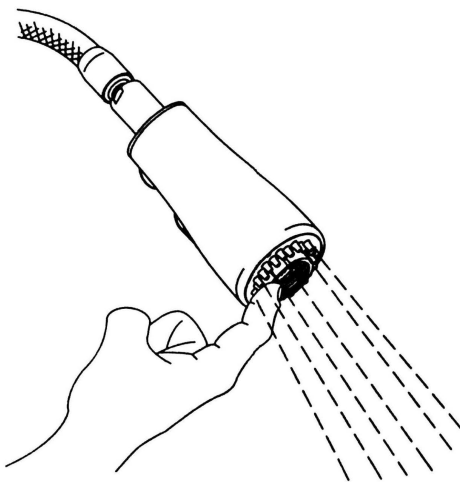
10 Properly tighten the weight on the spray Hose as shown



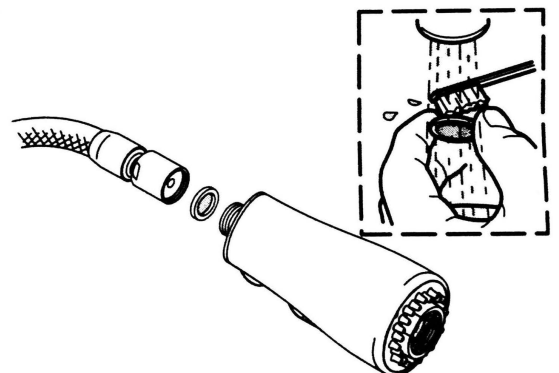
-7-

Faucet Maintenance

1 With the water running, rub nozzles to dislodge debris



2 To improve the flow, disconnect the sprayhead, then clean the screen washer. Reassemble.




-8-

Care and Cleaning

- To clean, wipe down with a damp cloth and dry with a towel.
- Do not use abrasive cleaner, steel wool, or harsh chemicals when cleaning this faucet, or the warranty will be voided.

Troubleshooting

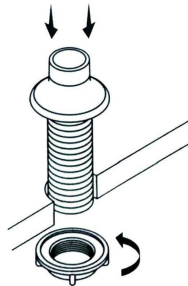
 NOTE: Refer to the service parts section in this manual for a detailed drawing showing the location of the parts listed below

Problem	Possible Cause	Solution
There are leaks underneath the handle.	There are leaks underneath the handle.	<input type="checkbox"/> Tighten the bonnet nut. Clean or replace the O-ring.
The aerator leaks or has an inconsistent water flow pattern.	The aerator is dirty or misfitted. The cartridge may clogged.	<input type="checkbox"/> Remove the aerator and check for debris in the aerator screens. <input type="checkbox"/> Remove the cartridge and check for debris. <input type="checkbox"/> Ensure the aerator is properly installed.
There are leaks from the house underneath the deck.	The hose and discharge tube connection may be loose.	<input type="checkbox"/> Tighten the connection between the discharge tube and hose.
The hose does not retract.	The weight is not installed in the appropriate position	<input type="checkbox"/> Reinstall or readjust the weight
The water pressure is low	The sprayhead screen washer is clogged	<input type="checkbox"/> Turn off the water supply and disconnect the sprayhead. <input type="checkbox"/> Clean the screen washer under running water. <input type="checkbox"/> Pull the screen washer back to the hose connector and screw the sprayhead back. <input type="checkbox"/> Test water flow. If the pressure is still low then replace the sprayhead.

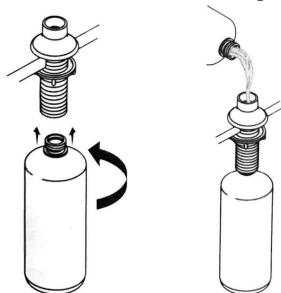
-9-

Install the soap dispenser (if it's included)

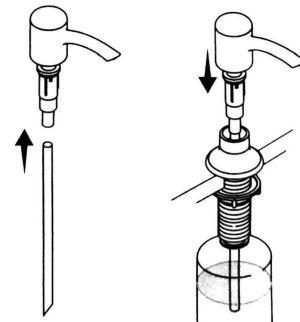
1. Install the soap dispenser escutcheon and gasket



2. Install the soap bottle to the sink. Fill the soap bottle



3. Install the flat end of the tube to the pump, then secure the pump to the soap bottle



-10-