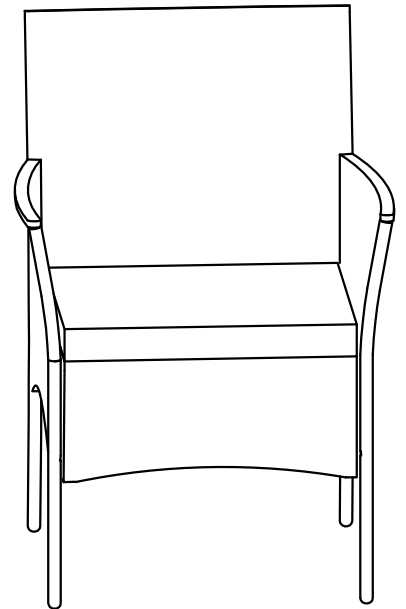
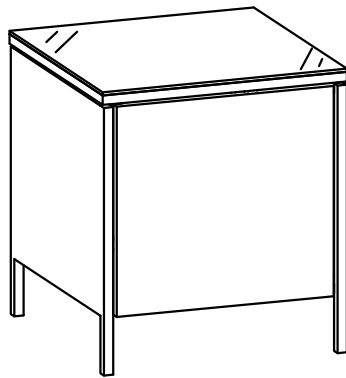
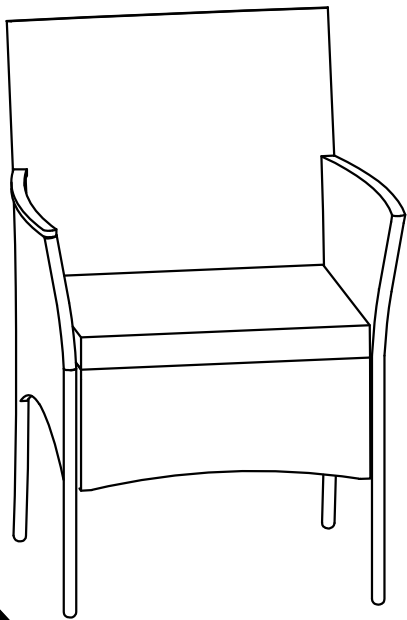


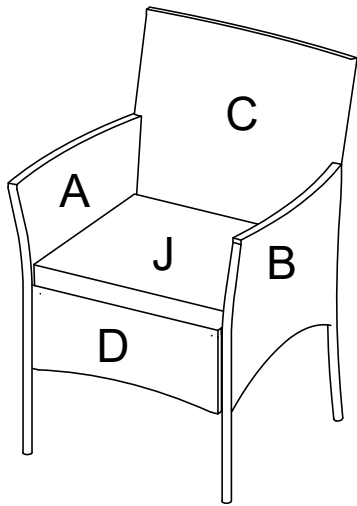
ASSEMBLY INSTRUCTION

- 3-Pieces
Patio Furniture set



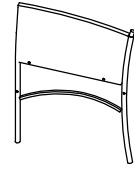
Parts

Check and make sure you get the components on the list, contact us for any missing



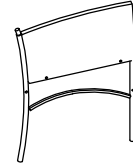
● 2-Single Chair

A : Right Armrest



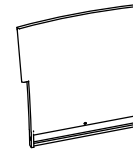
2 Pcs

B : Left Armrest



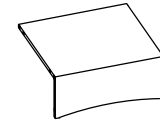
2 Pcs

C : Single Back



2 Pcs

D : Single Seat



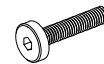
2 Pcs

J : Single Cushion



2 Pcs

1 : Allen Bolt M6 x 35mm



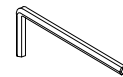
18 Pcs

● 3: Flat Washer



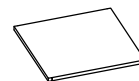
30 Pcs

● 4 : Allen Key



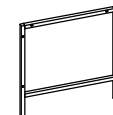
2 Pcs

F : Table Top



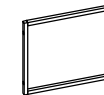
1 Pc

G : Table Leg



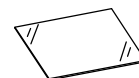
2 Pcs

H : Table Side



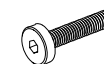
2 Pcs

I : Glass

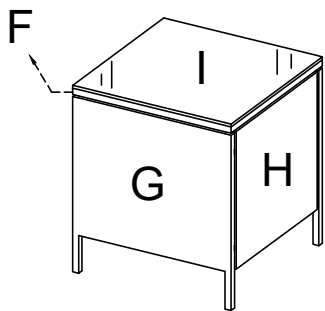


1 Pc

2 : Allen Bolt M6 x 30mm



12 Pcs



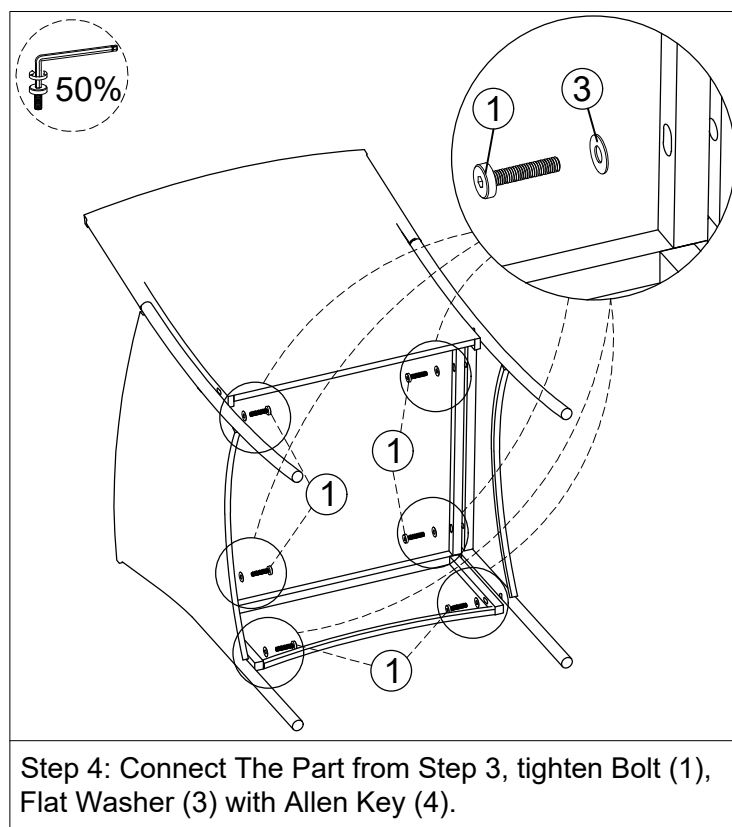
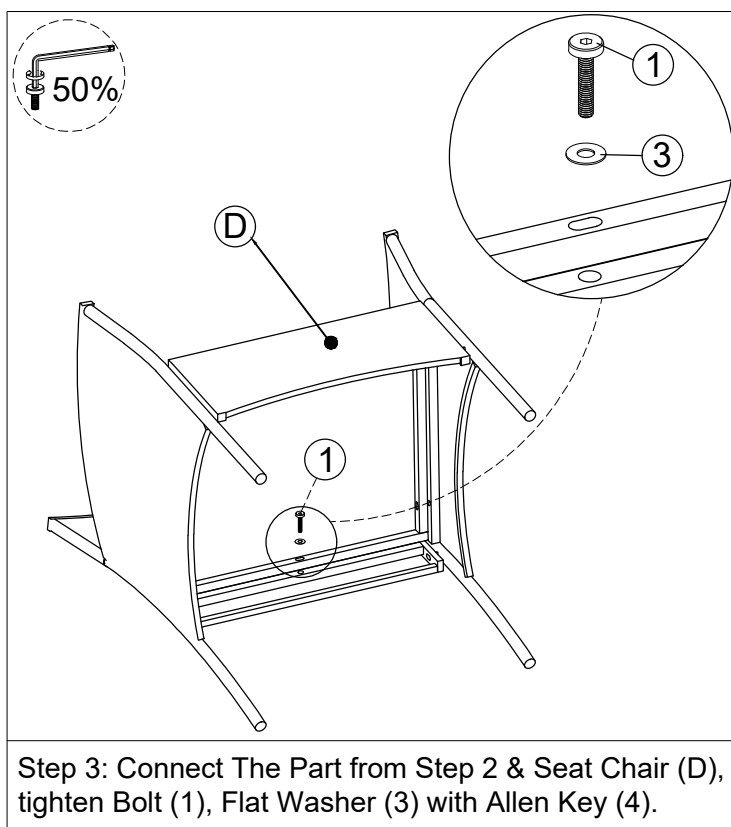
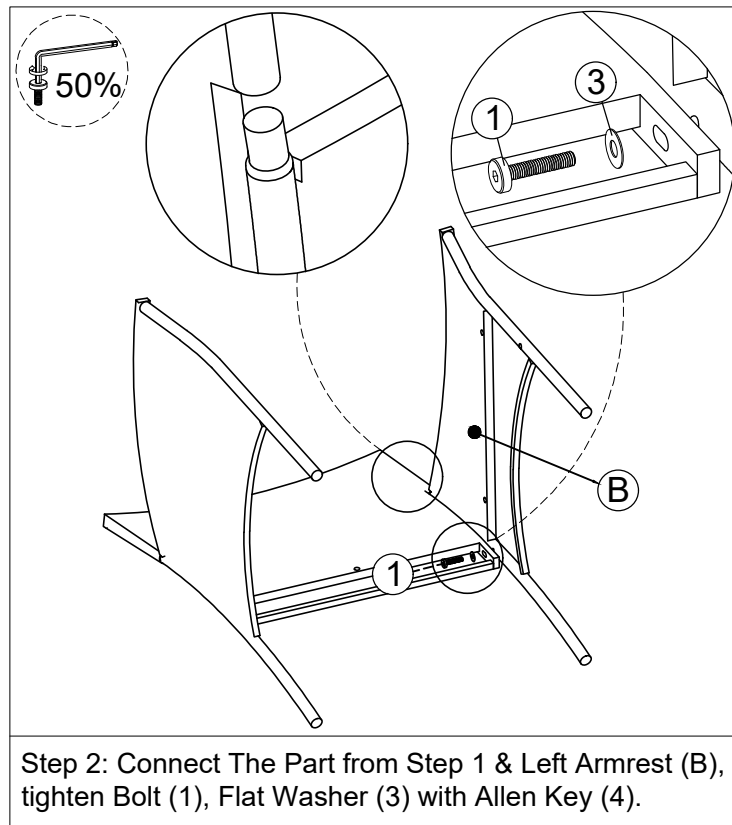
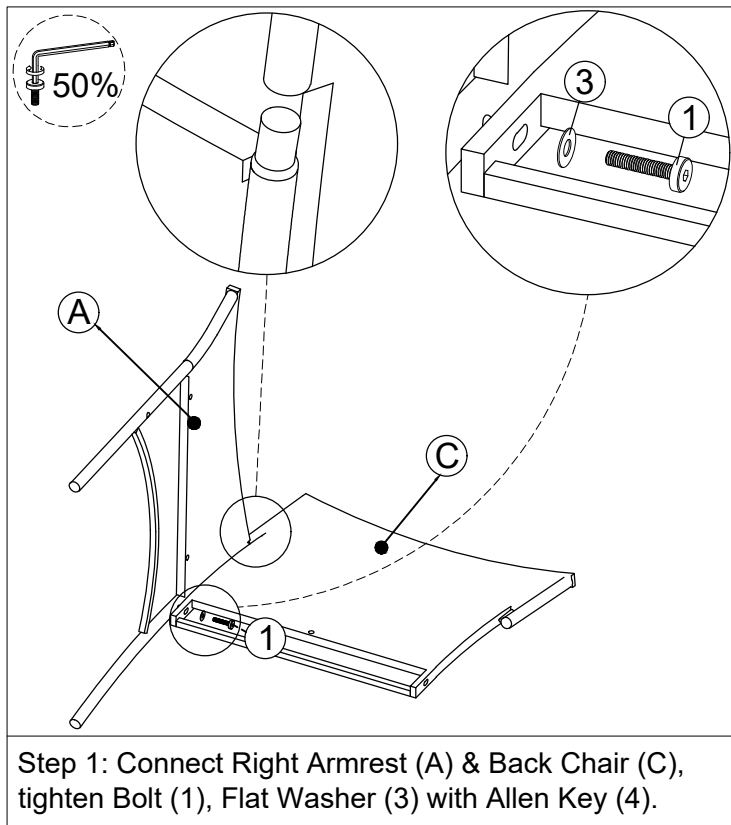
● 1-Coffee Table



For successful installation, When installing, please do not tighten the screws once, when the screws are all installed, a unified tightten all the screws

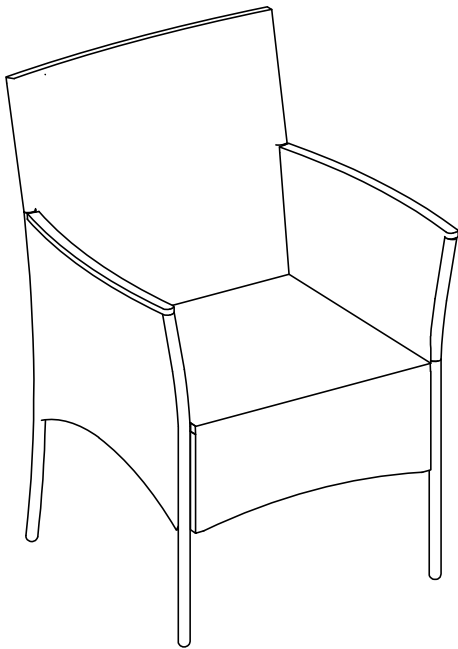
Installation step

For successful installation, When installing, please do not tighten the screws once, when the screws are all installed, a unified tightten all the screws

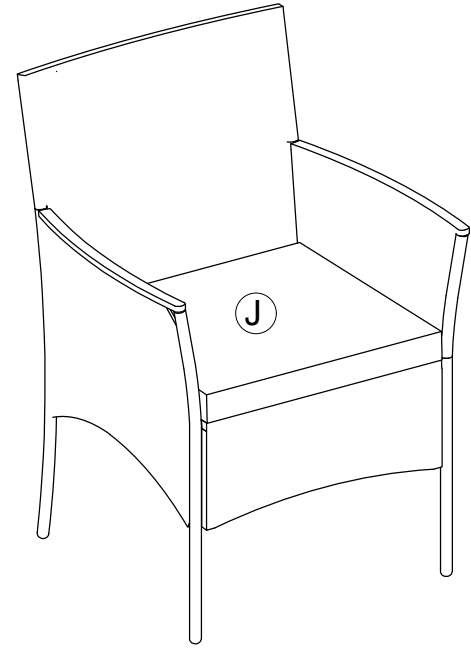


Assembly steps

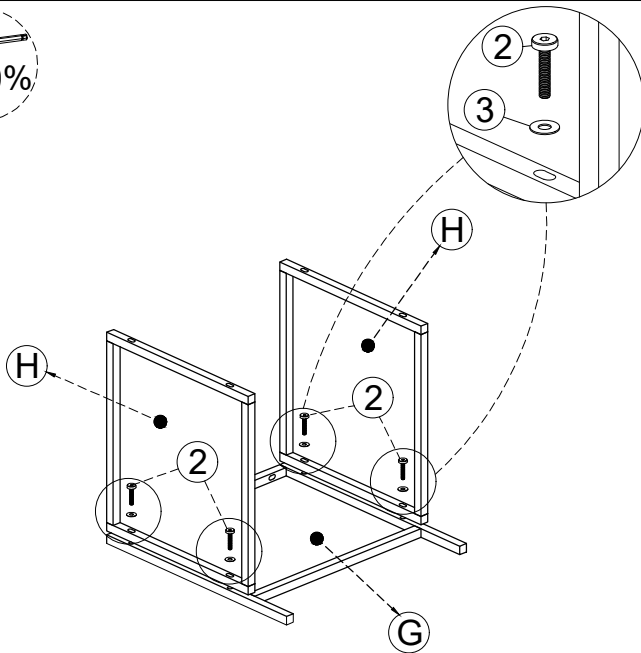
Tips : DO NOT tighten any screws until all the parts are put together.



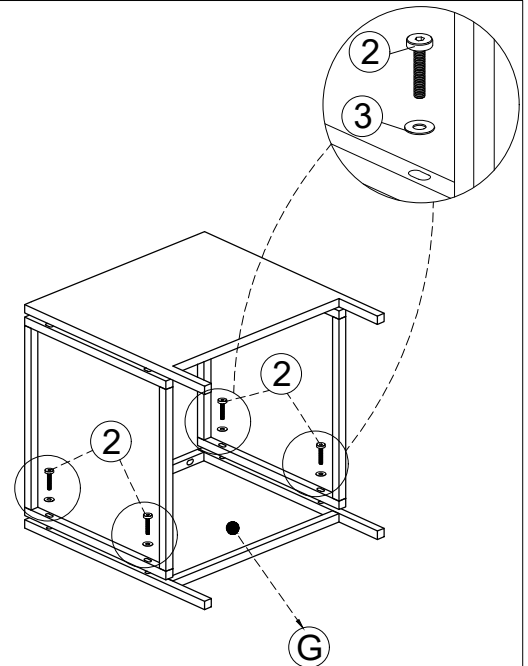
Step 5: Put the Chair upright and make sure all legs are level, then firmly tighten Bolts with Allen Key (4)



Step 6: Put on Single Cushion (J) to finish Chair.



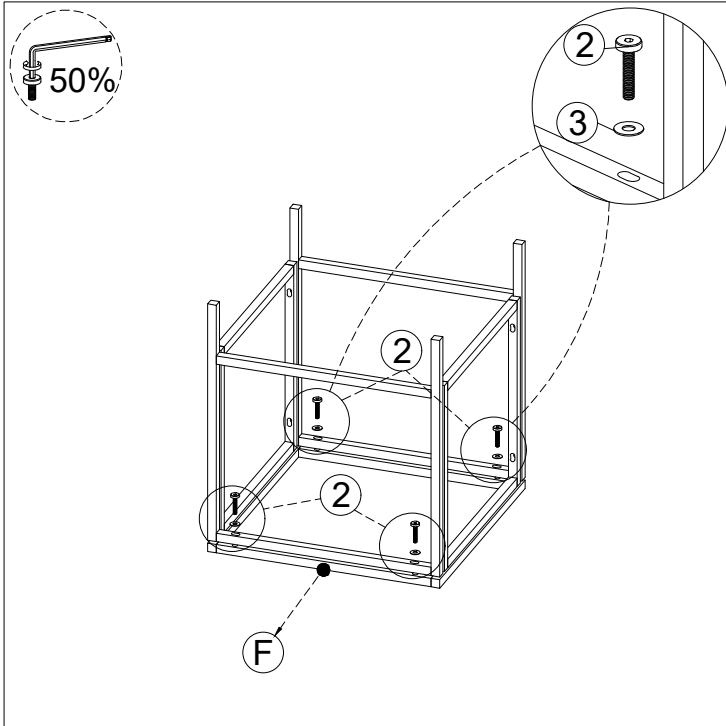
Step 7: Connect Table Leg (G) & Table Side (H), tighten Bolt (2), Flat Washer (3) with Allen Key (4).



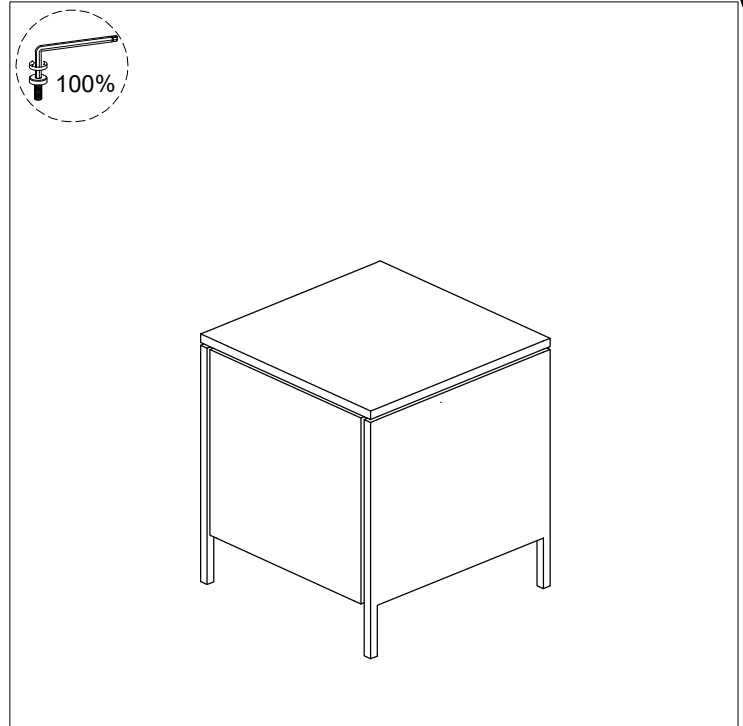
Step 8: Connect The Part from Step 7 & Table Leg (G), tighten Bolt (2), Flat Washer (3) with Allen Key (4).

Assembly steps

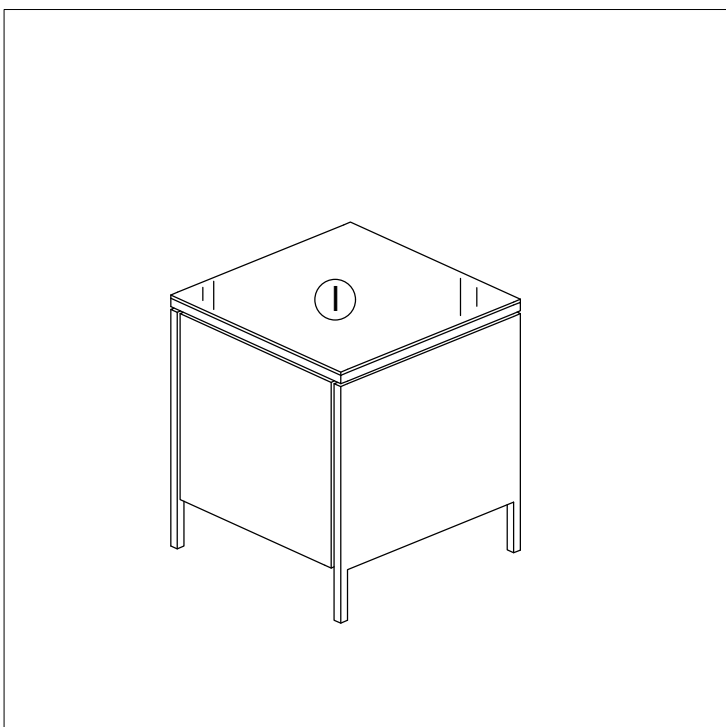
Tips : DO NOT tighten any screws until all the parts are put together.



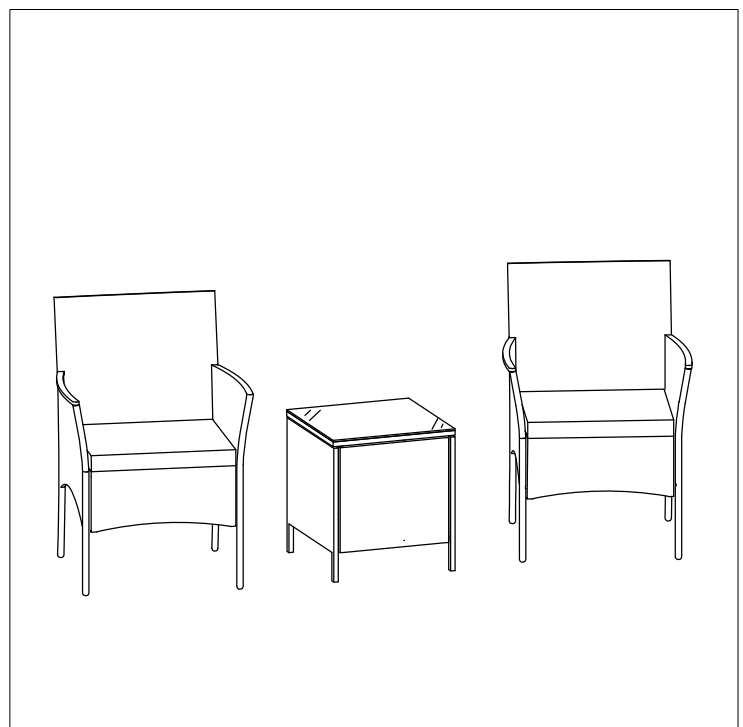
Step 9: Connect The Part from Step 8 & Table Top (F), tighten Bolt (2), Flat Washer (3) with Allen Key (4).



Step 10: Put the Table upright and make sure all legs are level, then firmly tighten Bolts with Allen Key (4)



Step 11: Put on Glass (I) to finish Table.



FINISH

Dear Customers

Thanks for buying from us. Hope you are pleased with your purchase.

Any problem or suggestion concerning our products and online service, please kindly contact us. We will reply you in 24 hours and try our best to be helpful.

For any questions, please contact us freely.

Your shopping experience is very important to us. We would like to invite you to leave favourable review and feedback on our product and service. It may only take a few minutes, but it's the greatest way to help others make purchase like yours!

We are looking forward to provide you the best experience again!

Wish you a nice shopping!

Notice:

1. Remove the sponge from the cushion when washing.
2. Hand wash only. The washing machine and brush harm the fabric.

Yours sincerely

