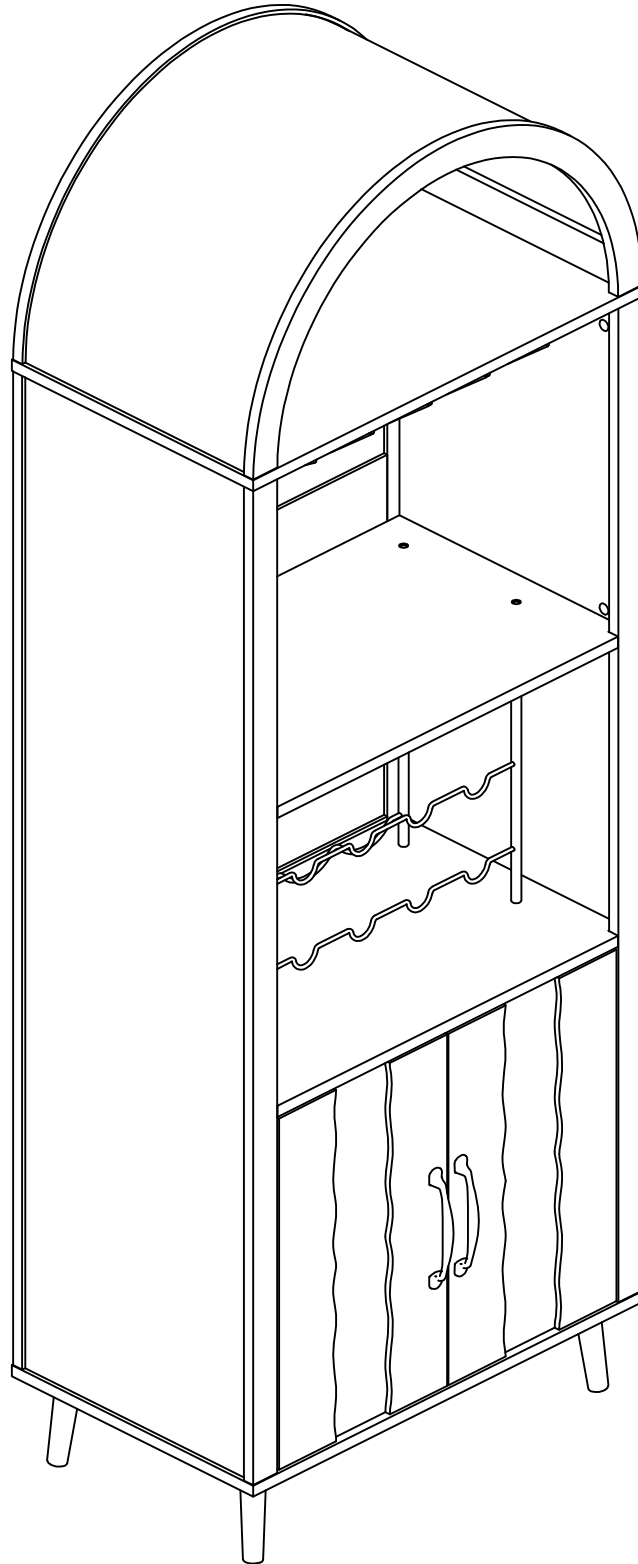
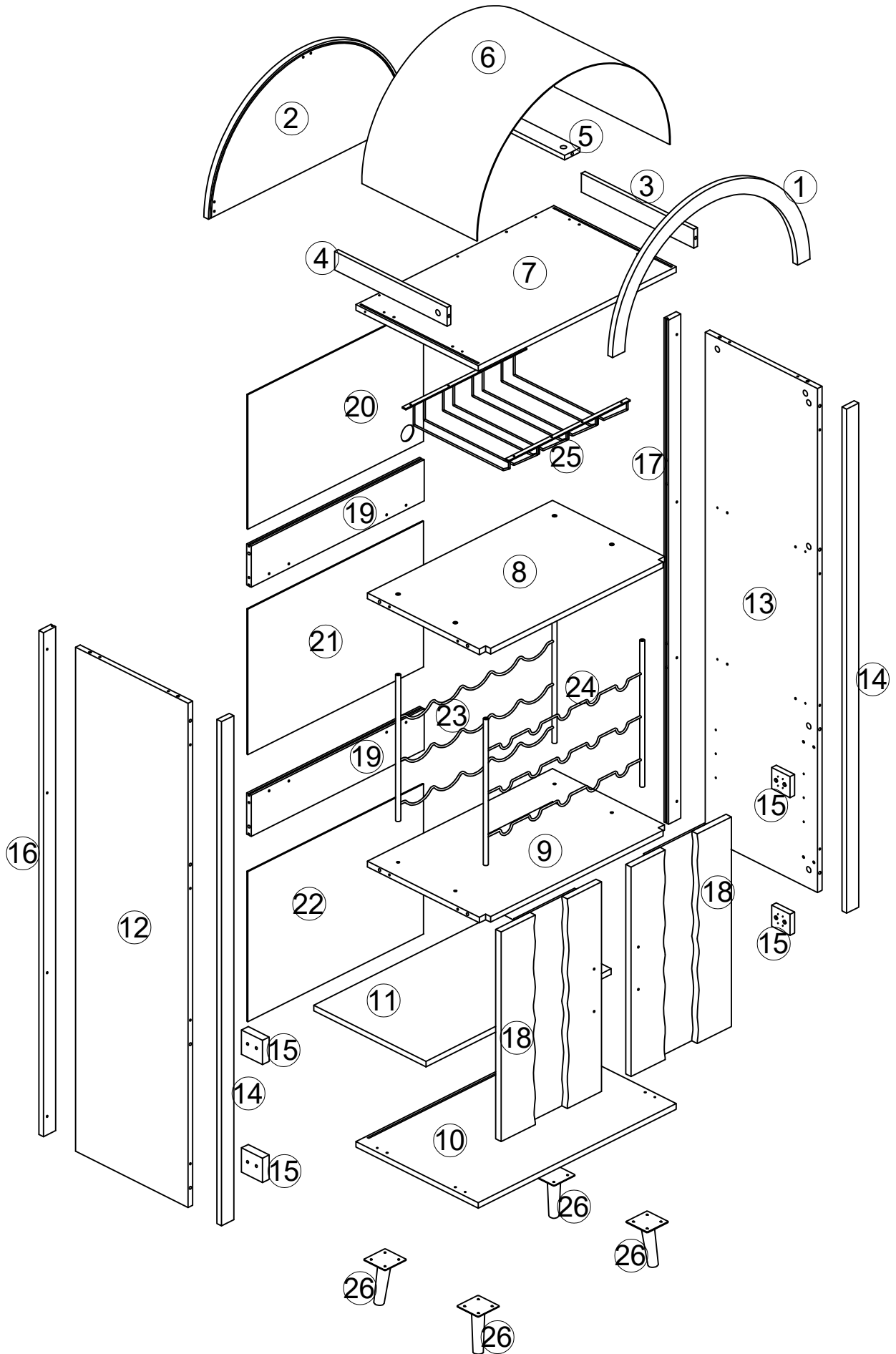


# Vaulted wine cabinet


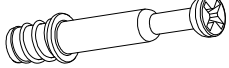

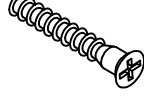
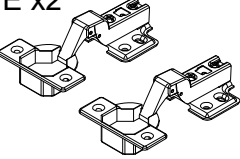

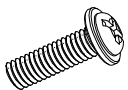
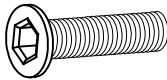
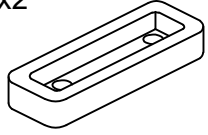

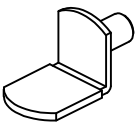

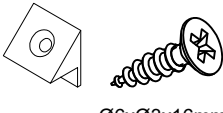
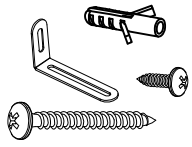
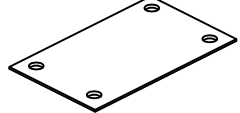
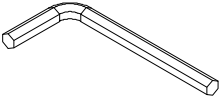
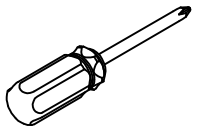


version : 1.0

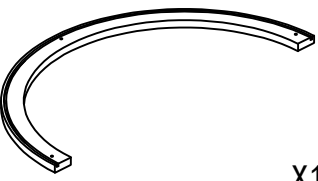
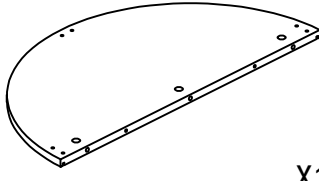
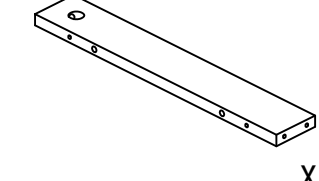
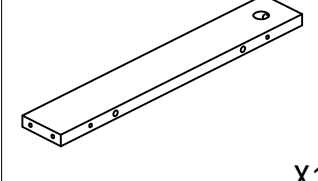
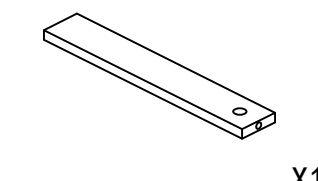
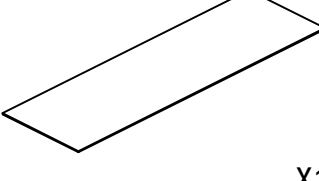
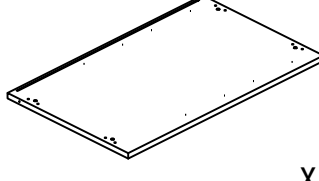
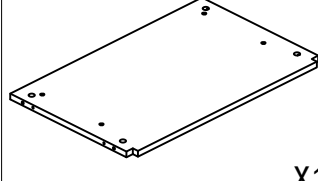
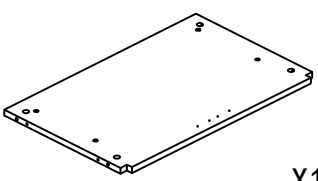
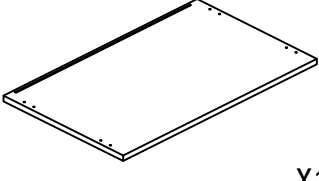
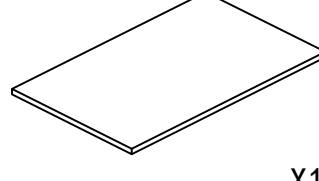
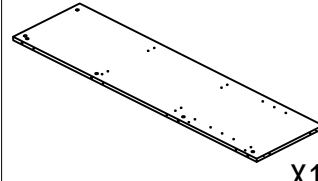
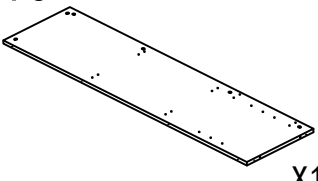
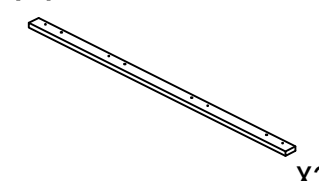
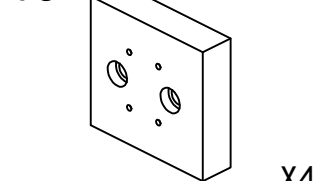
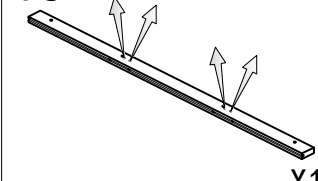
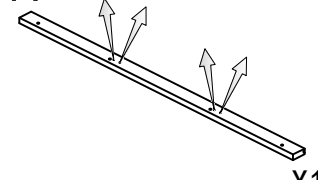
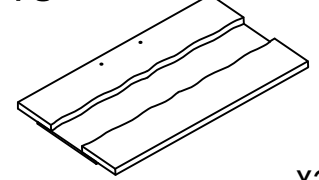
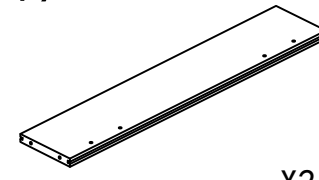
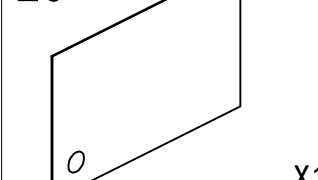
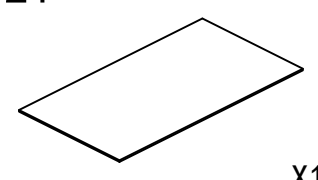
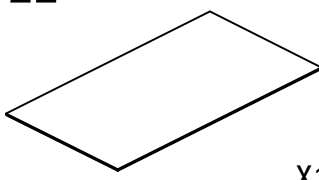
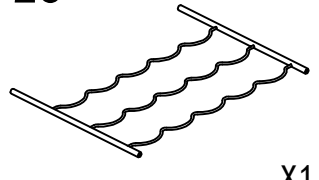
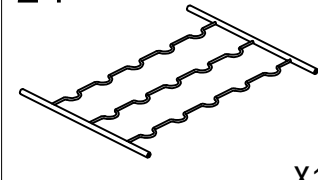
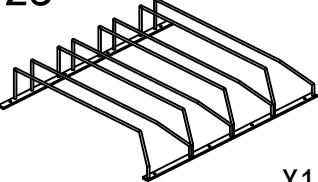
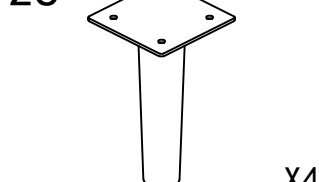
# ASSEMBLY INSTRUCTIONS



# ASSEMBLY INSTRUCTIONS

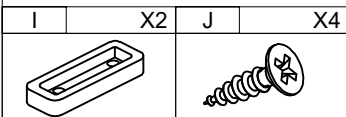
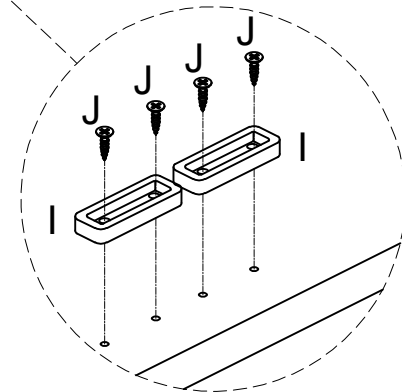
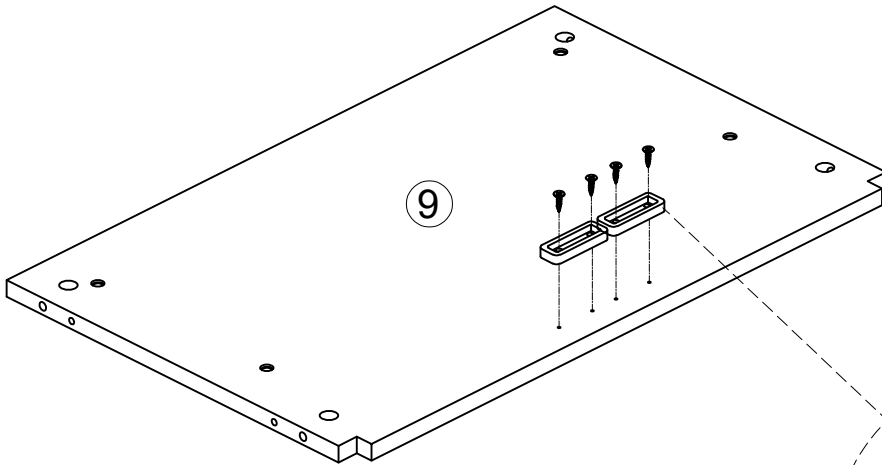
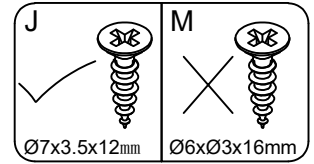
<p>A x42</p>  <p>Ø6x30mm</p> <p>spare:2</p>	<p>B x26</p>  <p>Ø6x35mm</p> <p>spare:2</p>	<p>C x26</p>  <p>Ø15x10mm</p> <p>spare:2</p>	<p>D x26</p>  <p>Ø5x38mm</p> <p>spare:2</p>	<p>E x2</p> 
<p>F x2</p> 	<p>G x4</p>  <p>M4*18mm</p> <p>spare:1</p>	<p>H x16</p>  <p>M6*25mm</p> <p>spare:1</p>	<p>I x2</p> 	<p>J x68</p>  <p>Ø7x3.5x12mm</p> <p>spare:4</p>
<p>K x4</p>  <p>spare:1</p>	<p>L x23</p>  <p>spare:2</p>	<p>M x12</p>  <p>Ø6xØ3x16mm</p> <p>spare:1</p>	<p>N x2</p> 	<p>O x4</p> 
				

# ASSEMBLY INSTRUCTIONS

1  X1	2  X1	3  X1	4  X1
5  X1	6  X1	7  X1	8  X1
9  X1	10  X1	11  X1	12  X1
13  X1	14  X2	15  X4	16  X1
17  X1	18  X2	19  X2	20  X1
21  X1	22  X1	23  X1	24  X1
25  X1	26  X4		

# INSTALLATION

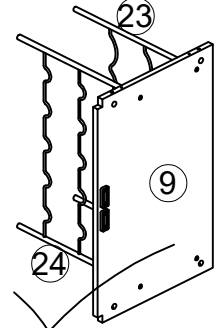
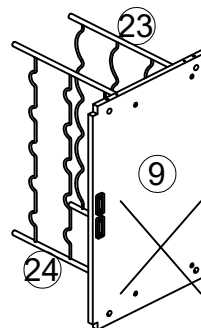
## STEP 1



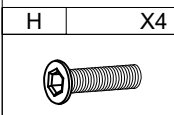
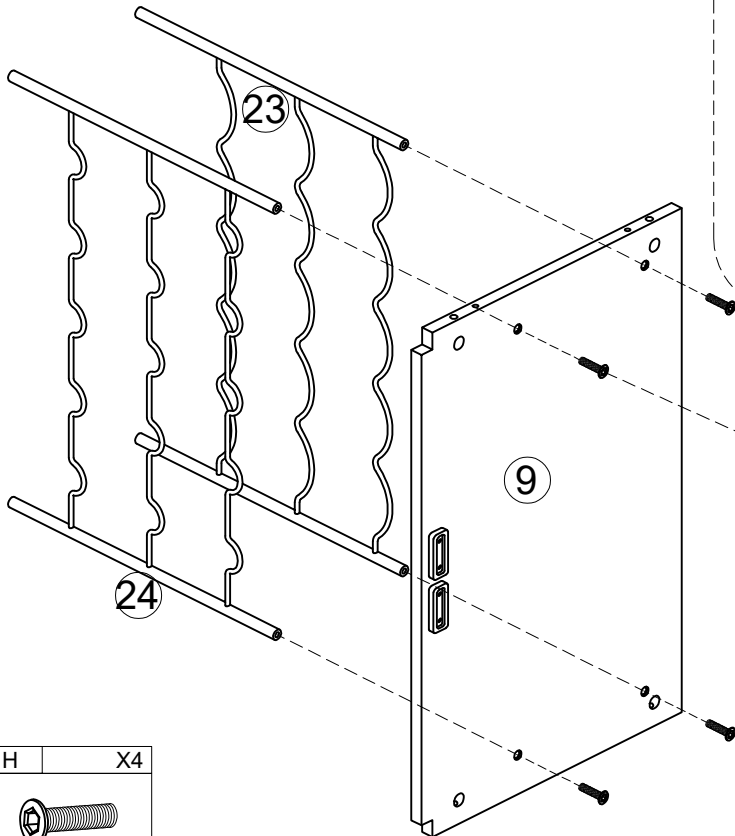
## STEP 2

wrong

correct

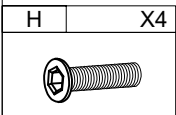
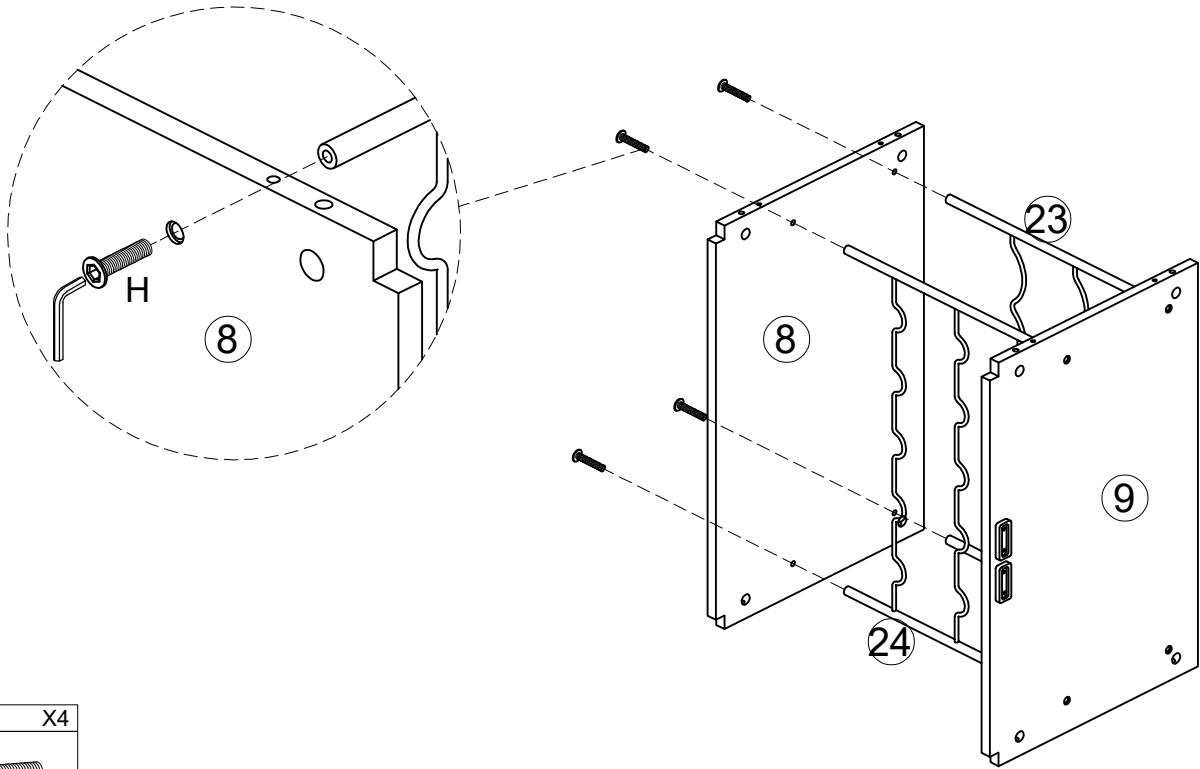


Pay attention to the installation directions of accessories No. 23 and No. 24. The arc-shaped side should face component No. 9

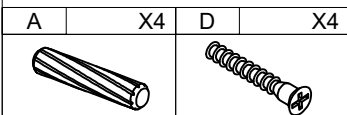
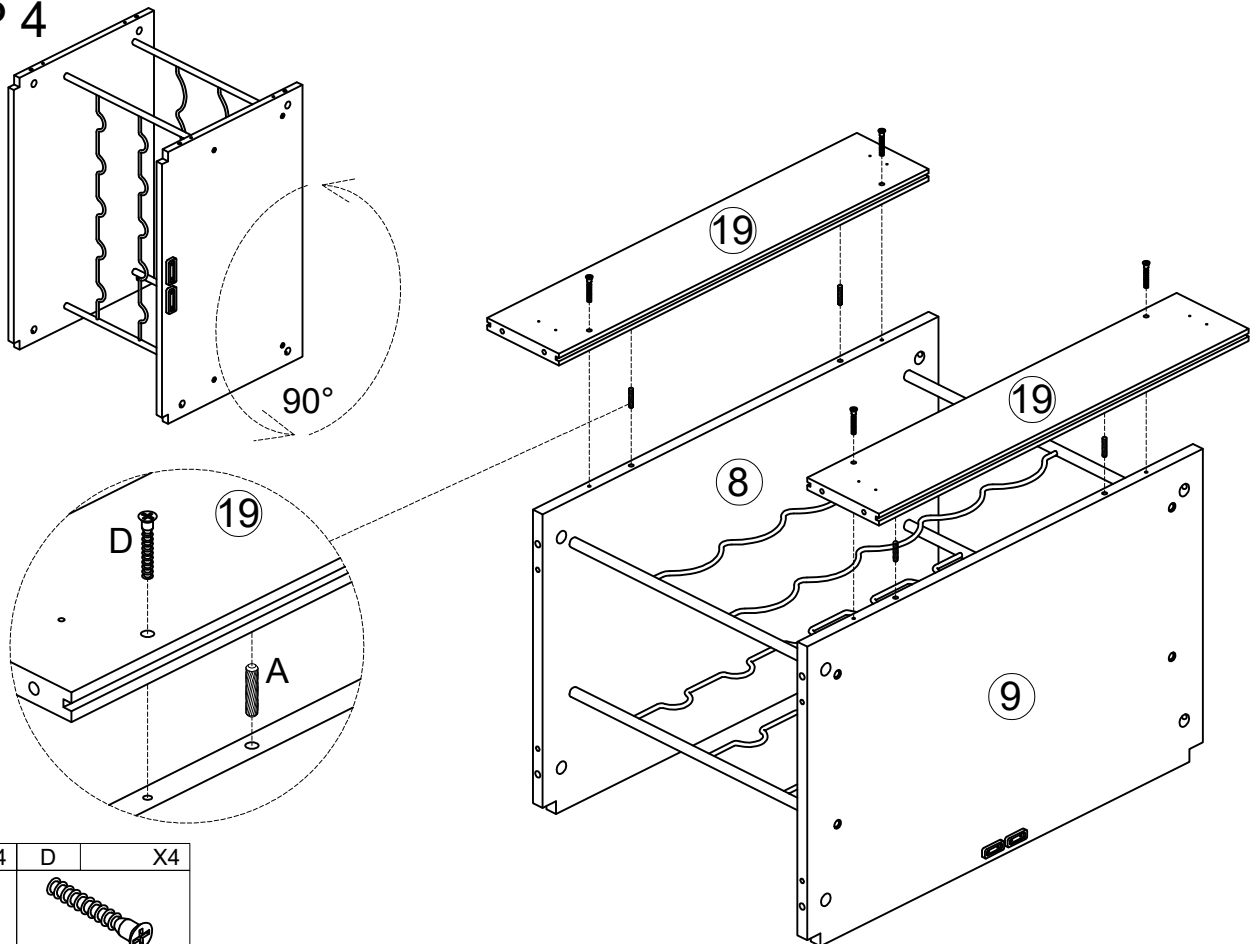


# INSTALLATION

## STEP 3

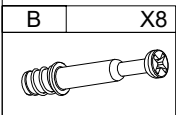
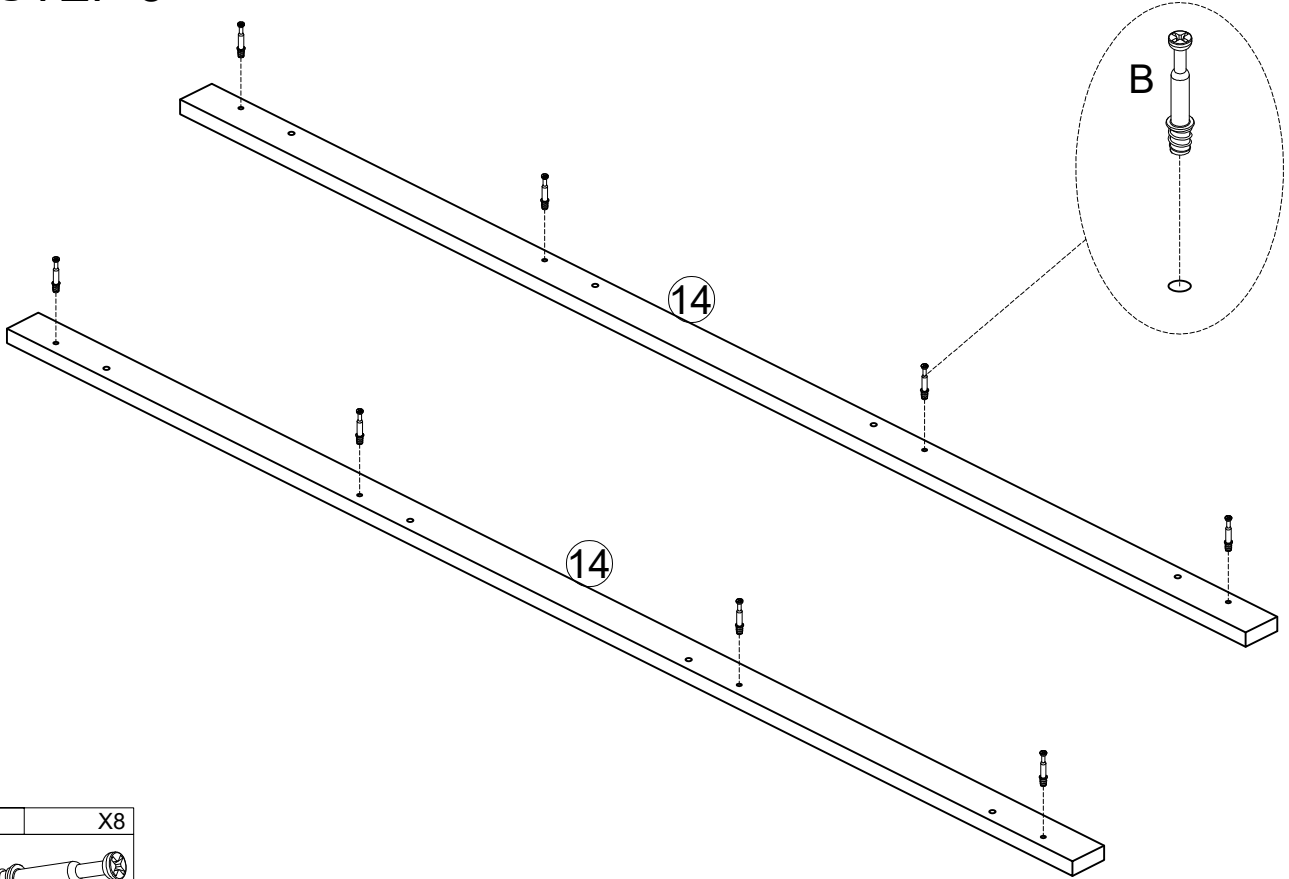


## STEP 4

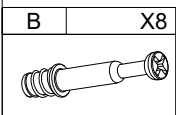
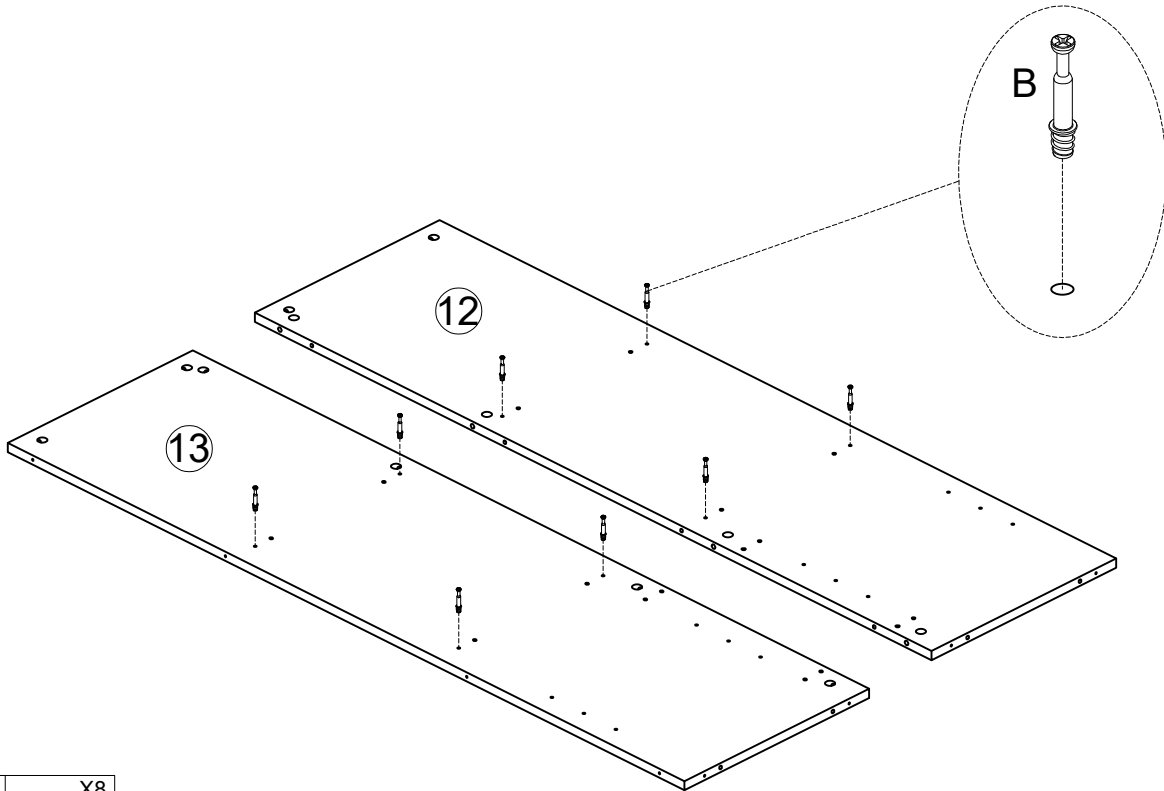


# INSTALLATION

## STEP 5

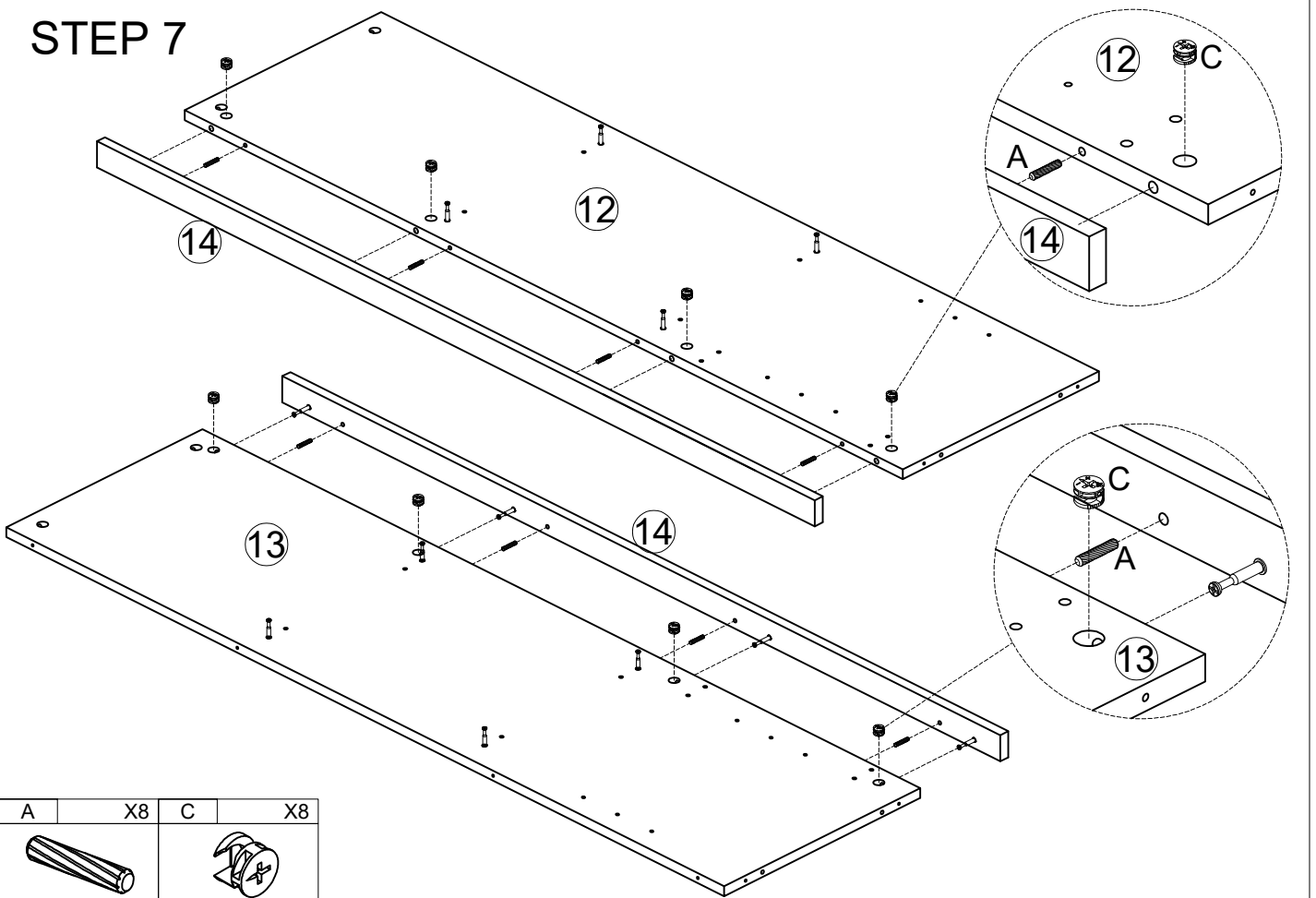


## STEP 6

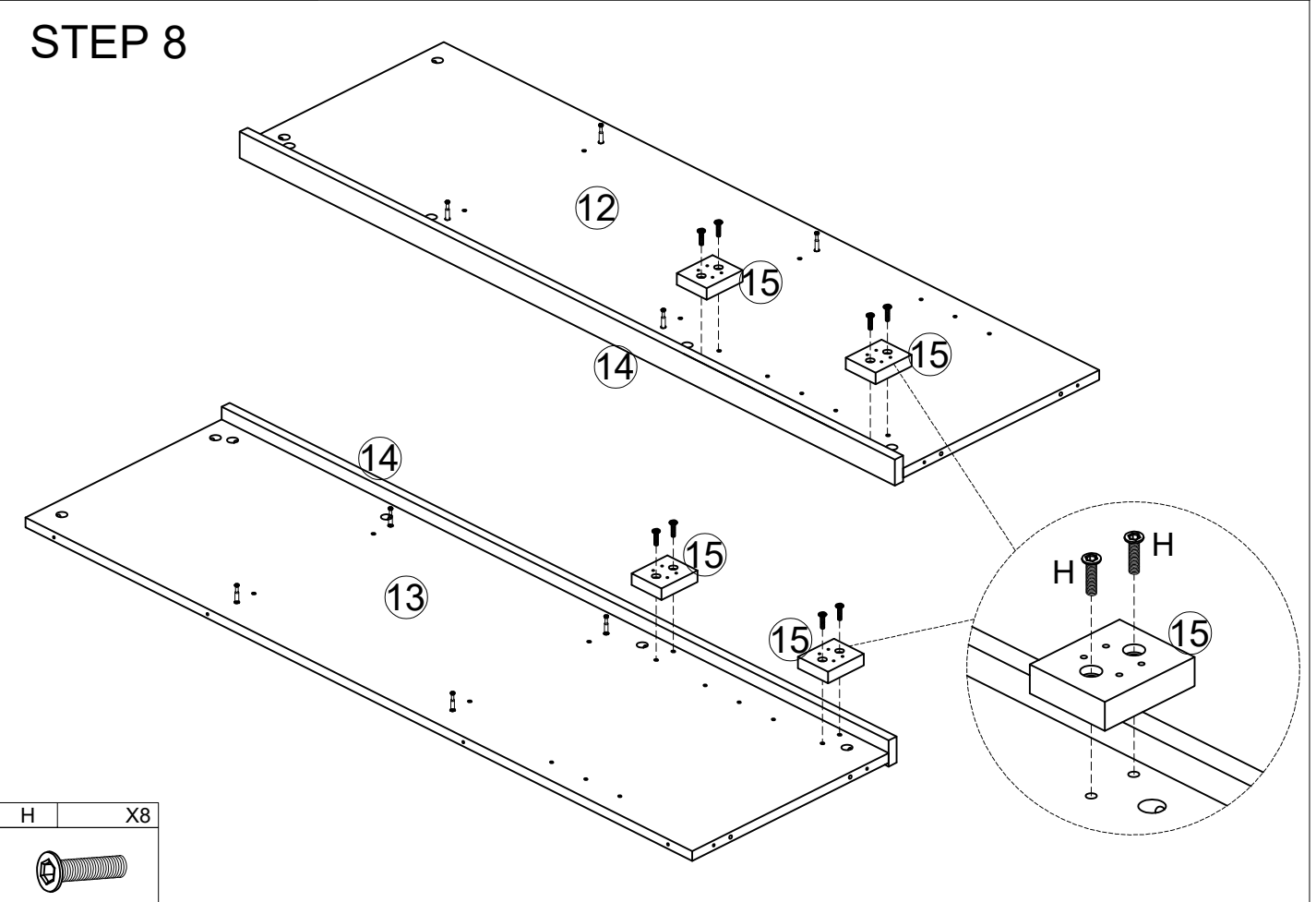


# INSTALLATION

## STEP 7

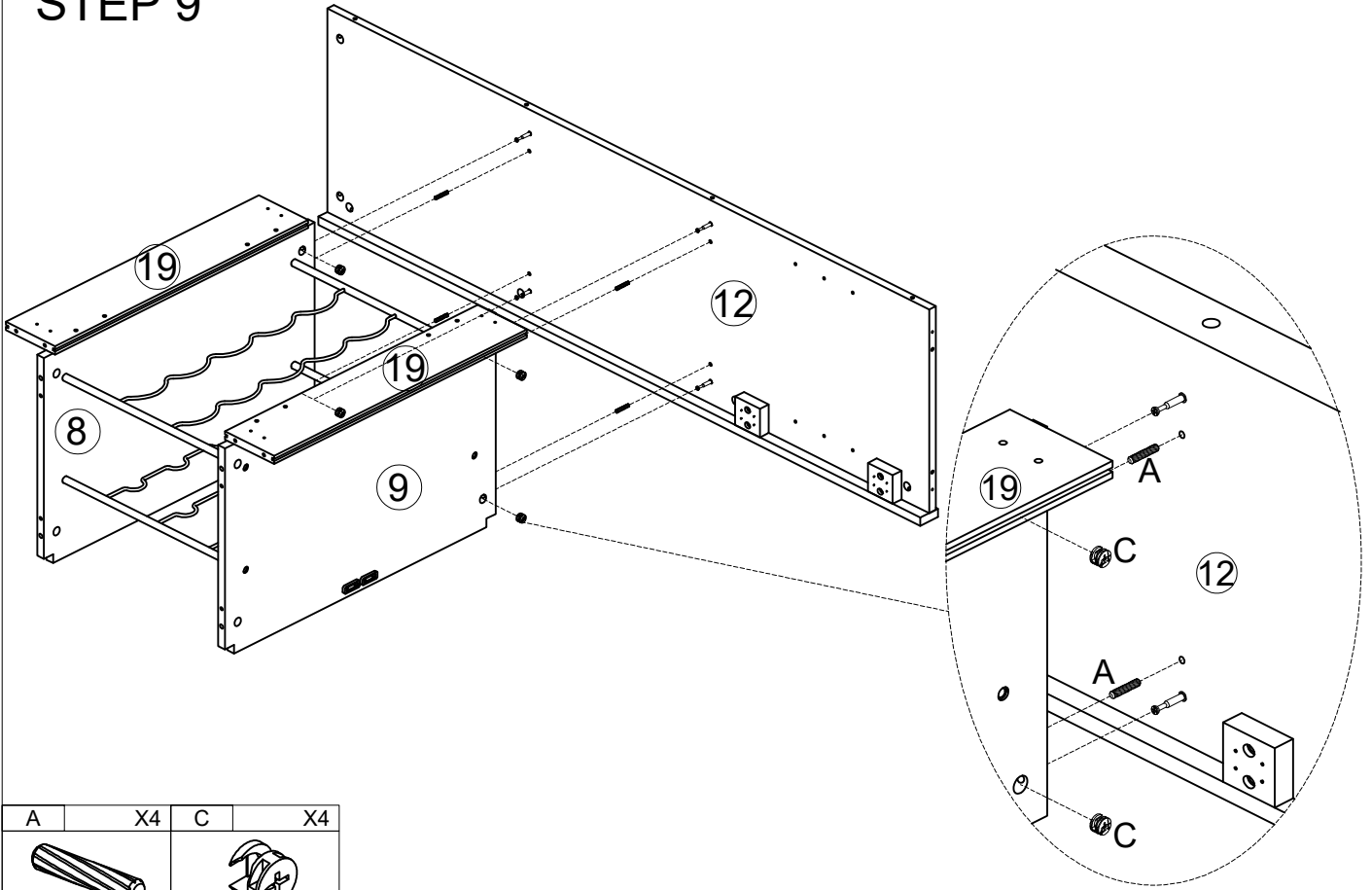


## STEP 8



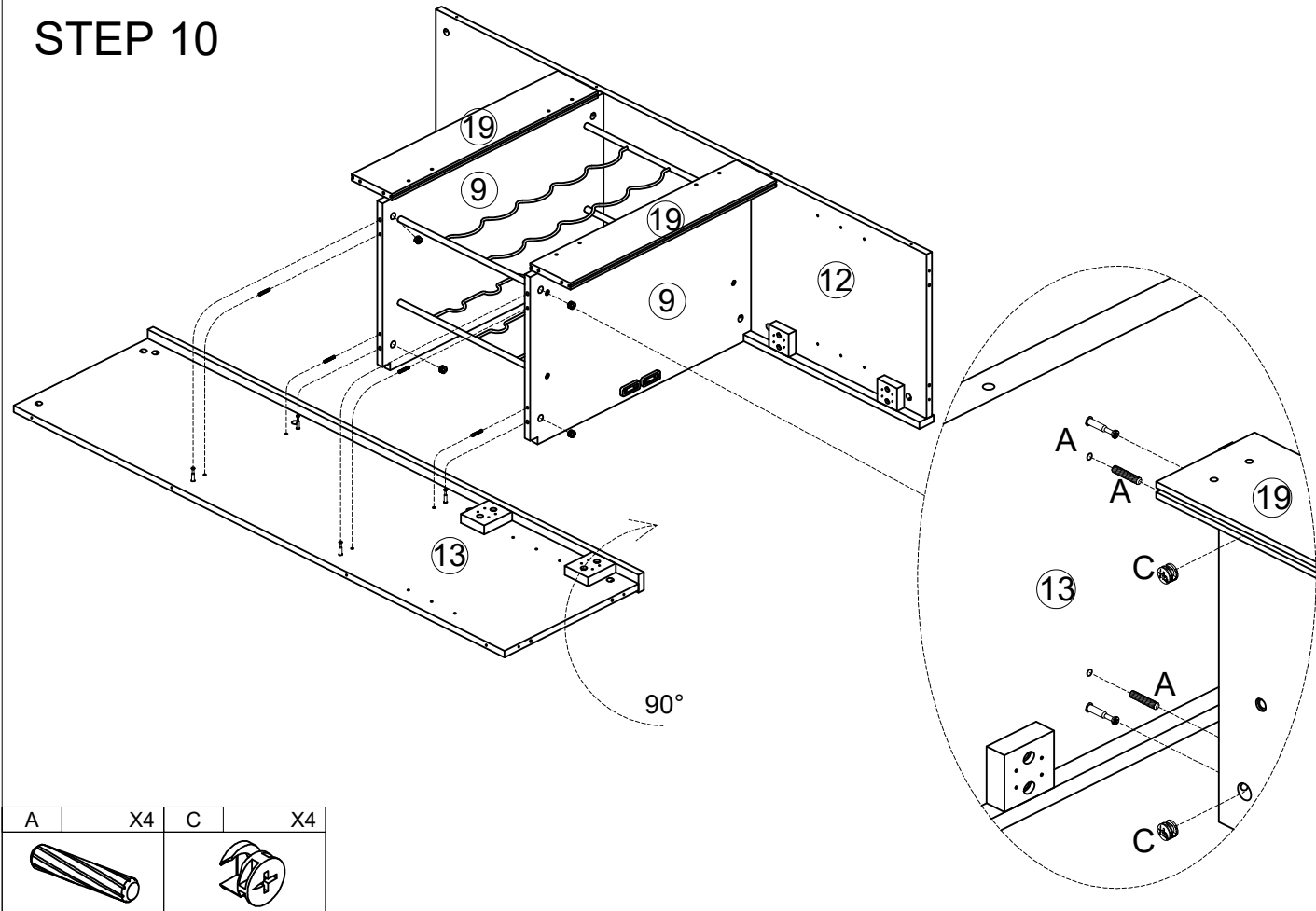
# INSTALLATION

## STEP 9



A	X4	C	X4

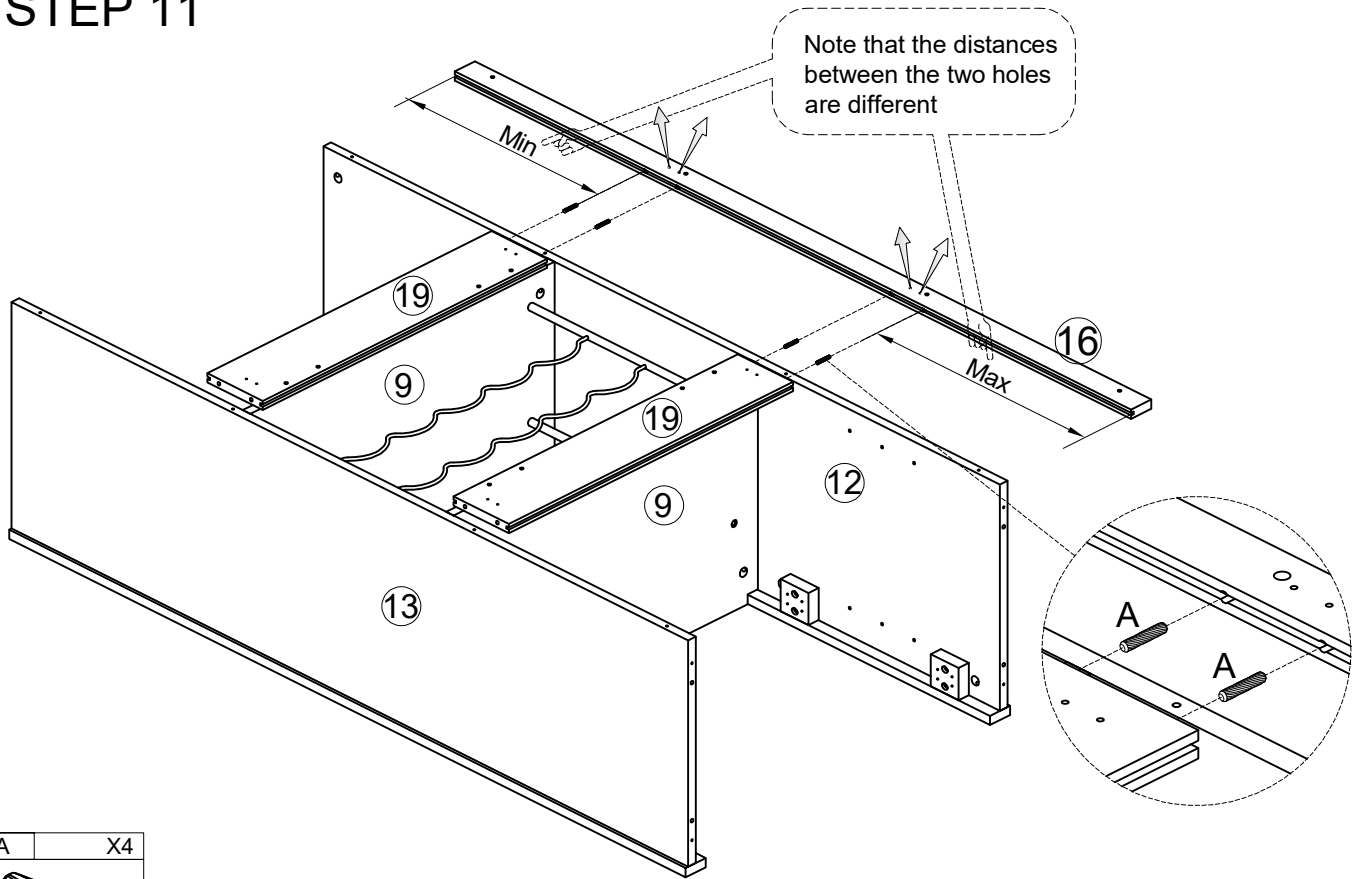
## STEP 10



A	X4	C	X4

# INSTALLATION

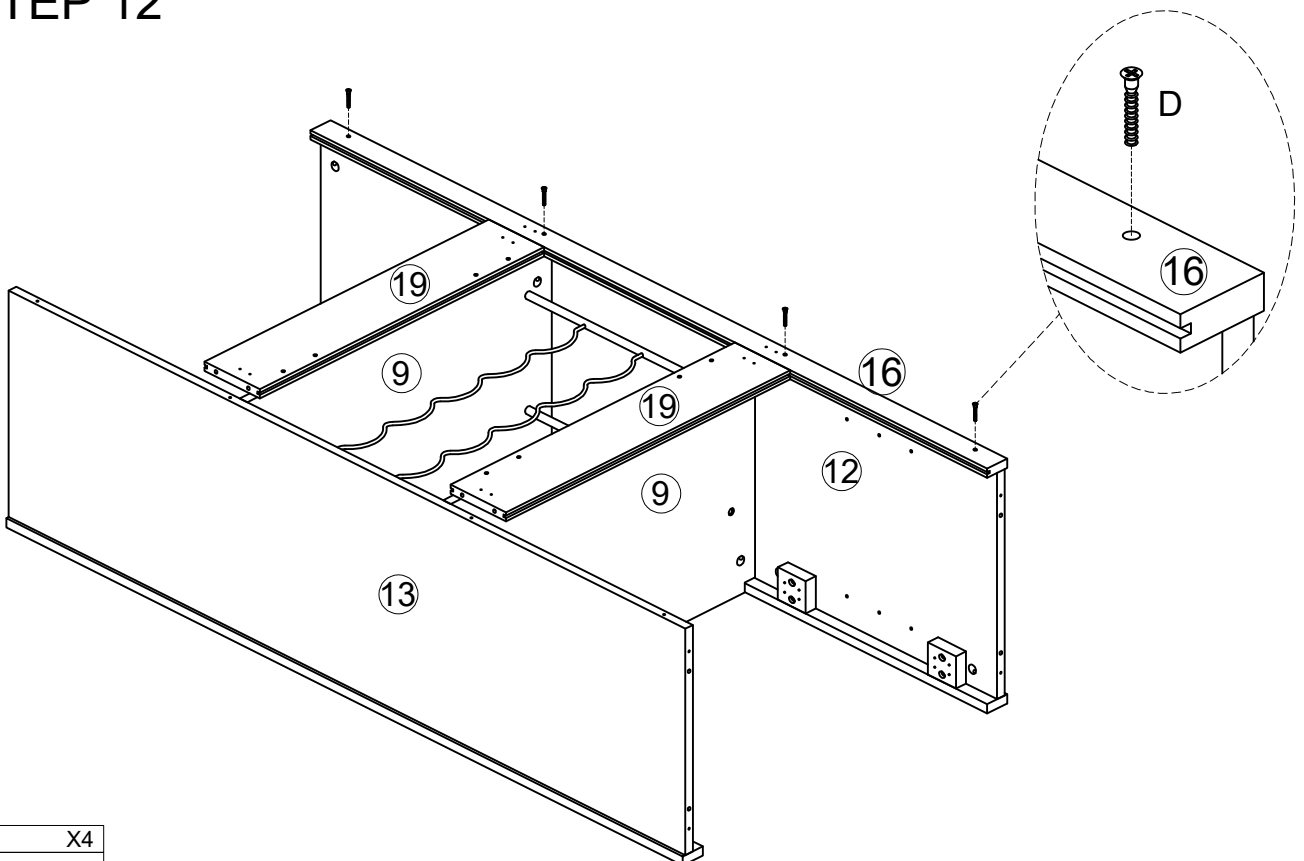
## STEP 11



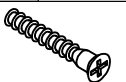
A X4



## STEP 12

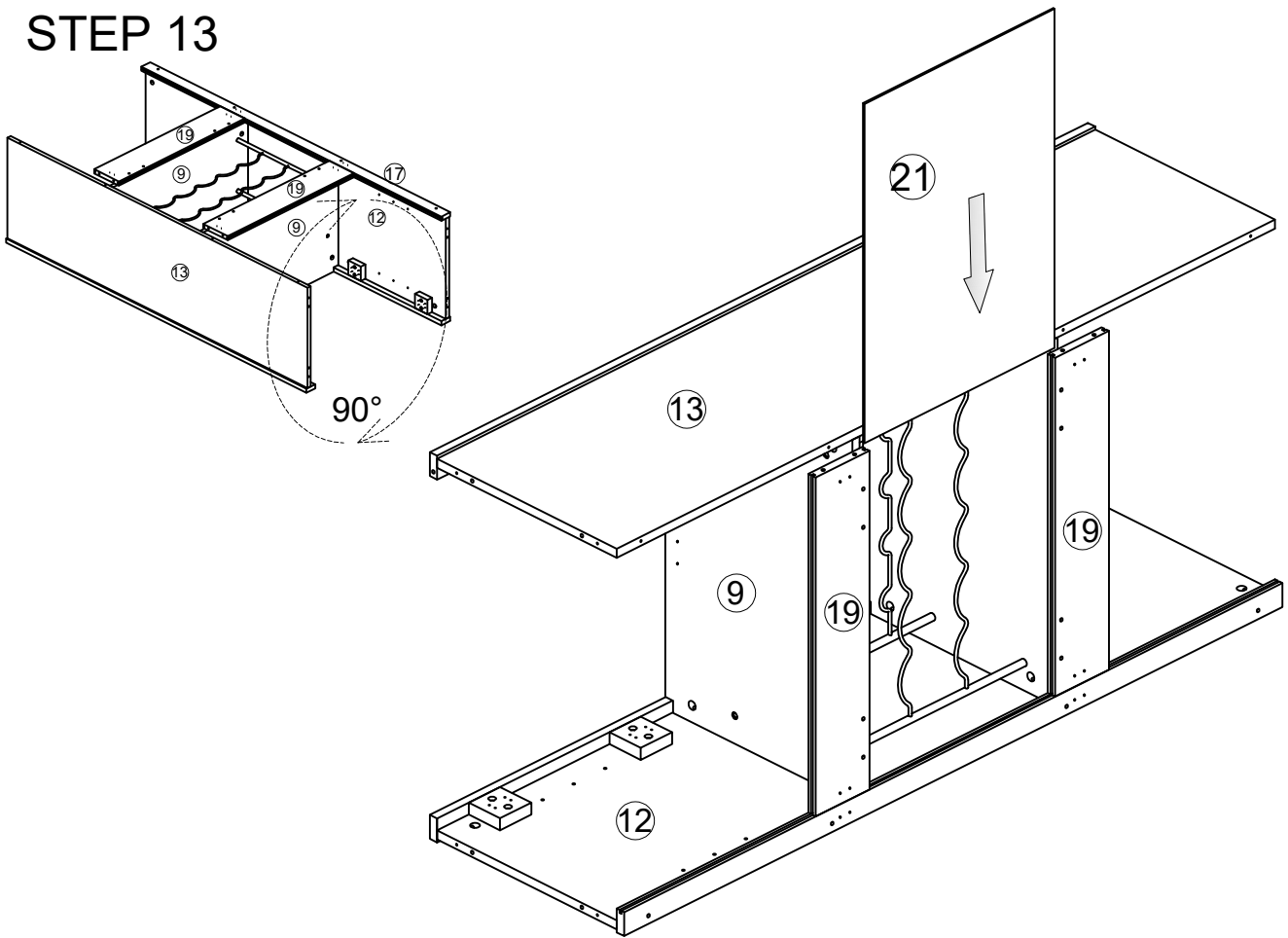


D X4

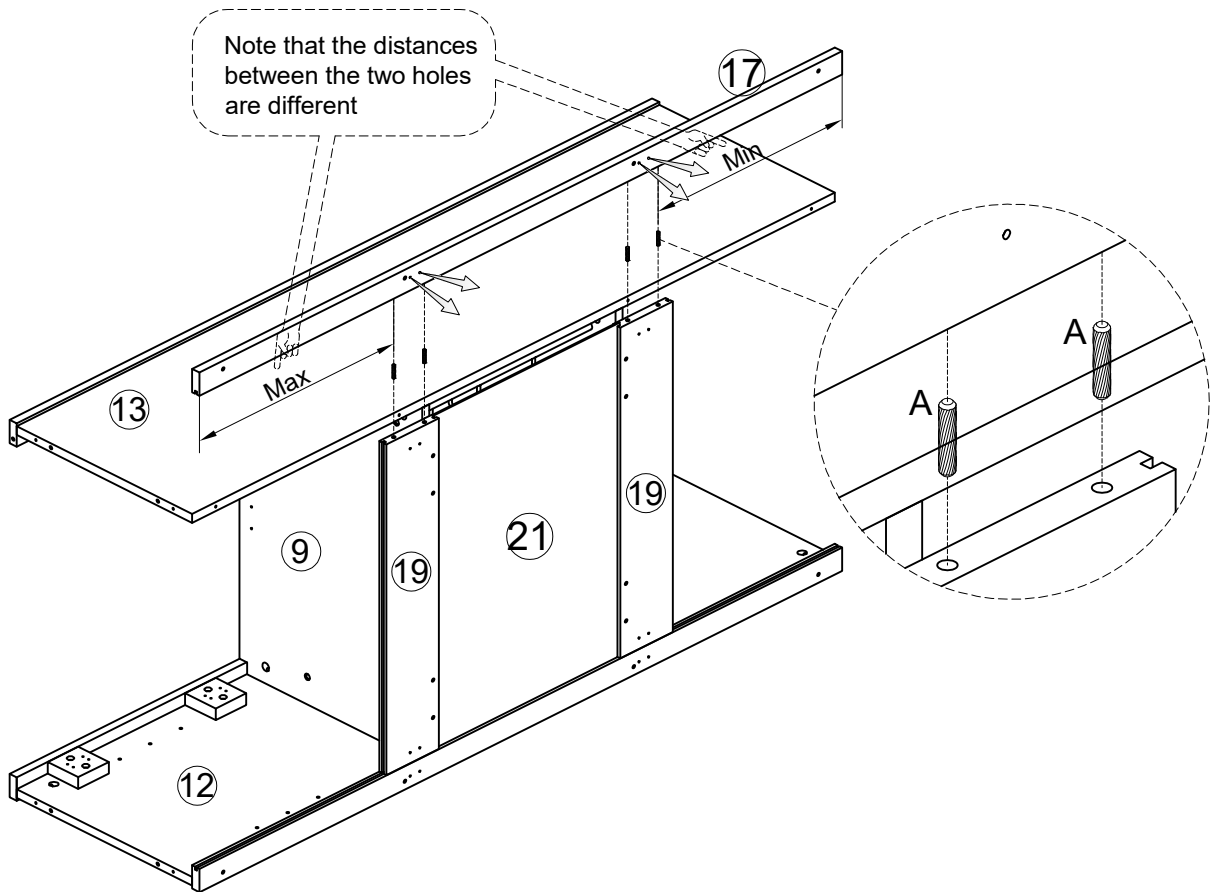


# INSTALLATION

## STEP 13

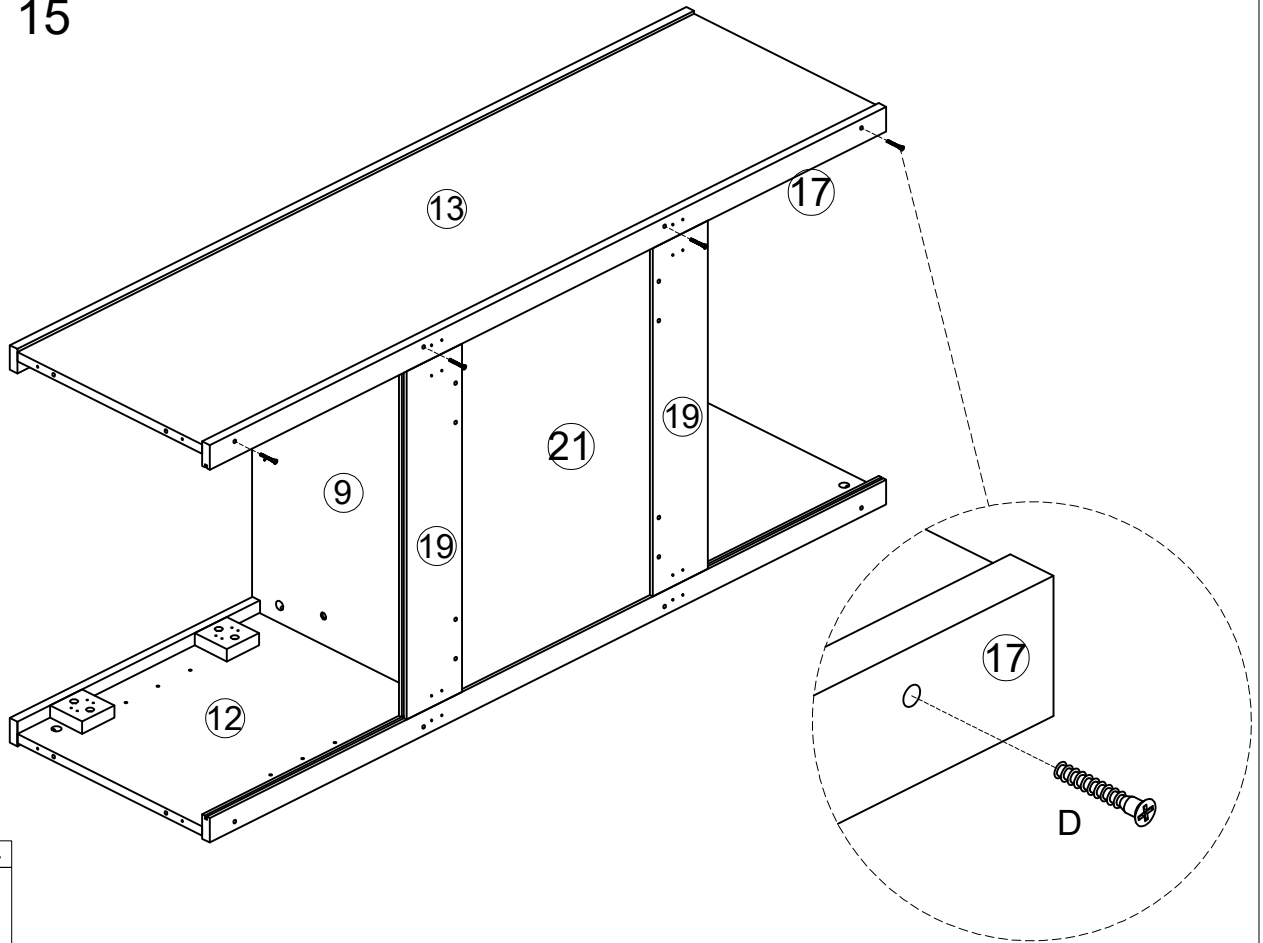


## STEP 14

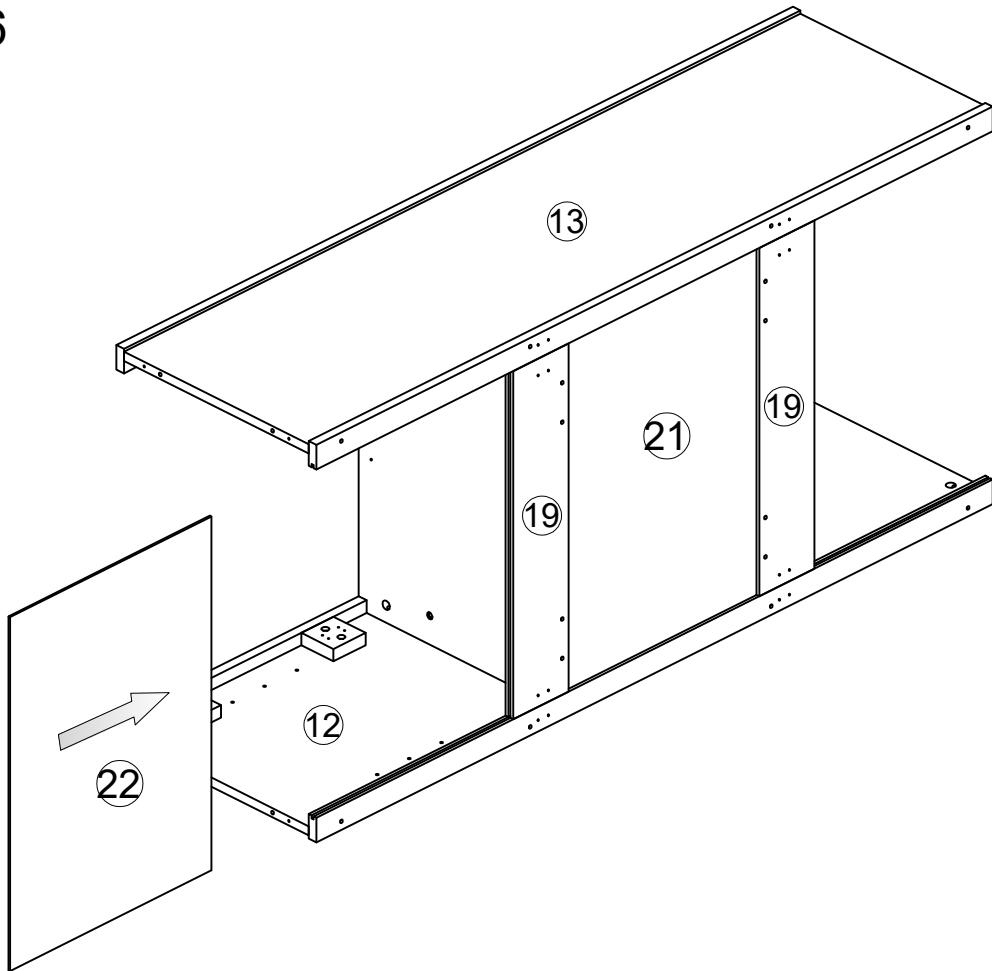


# INSTALLATION

## STEP 15

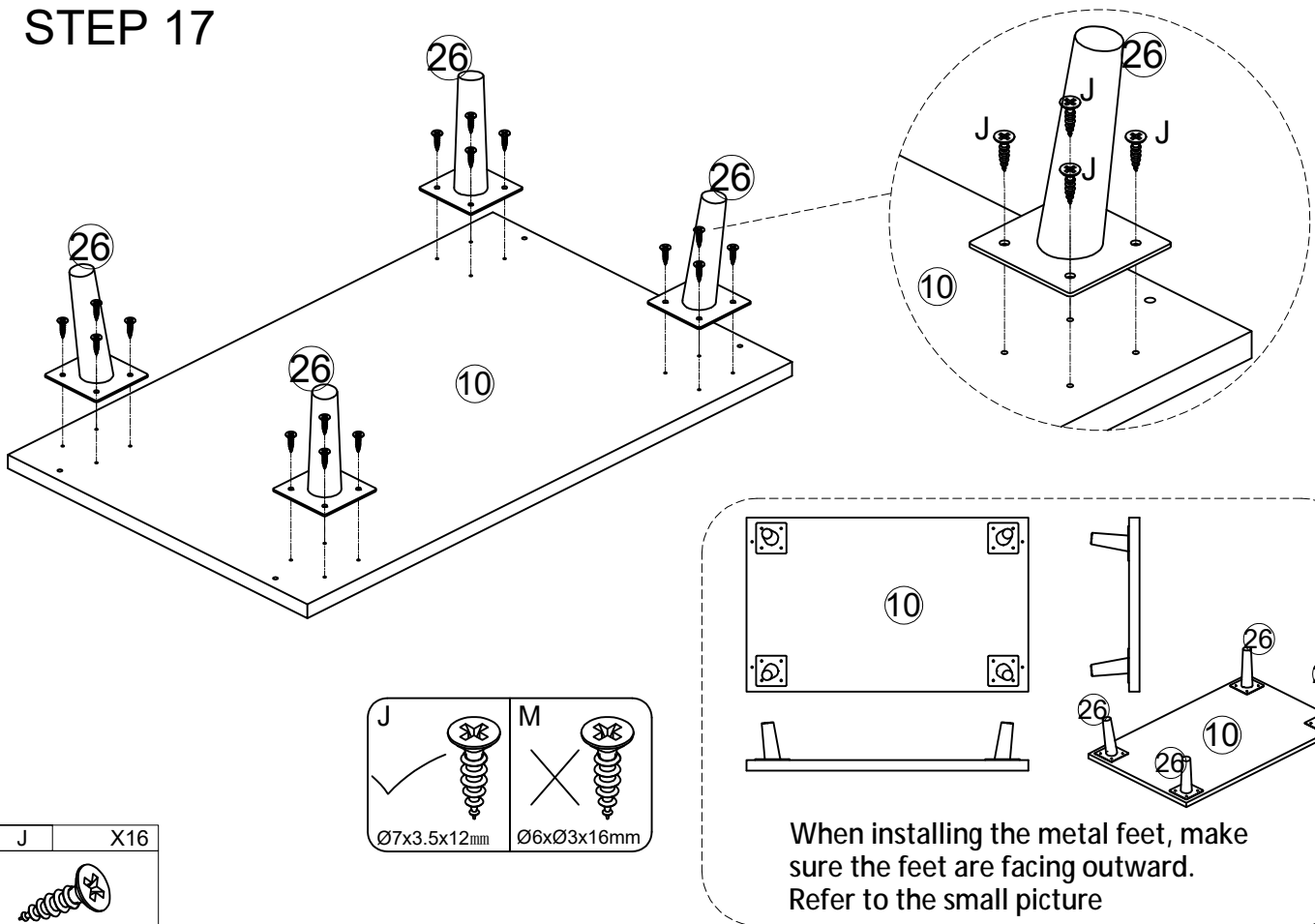


## STEP 16

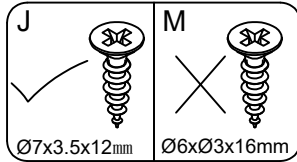


# INSTALLATION

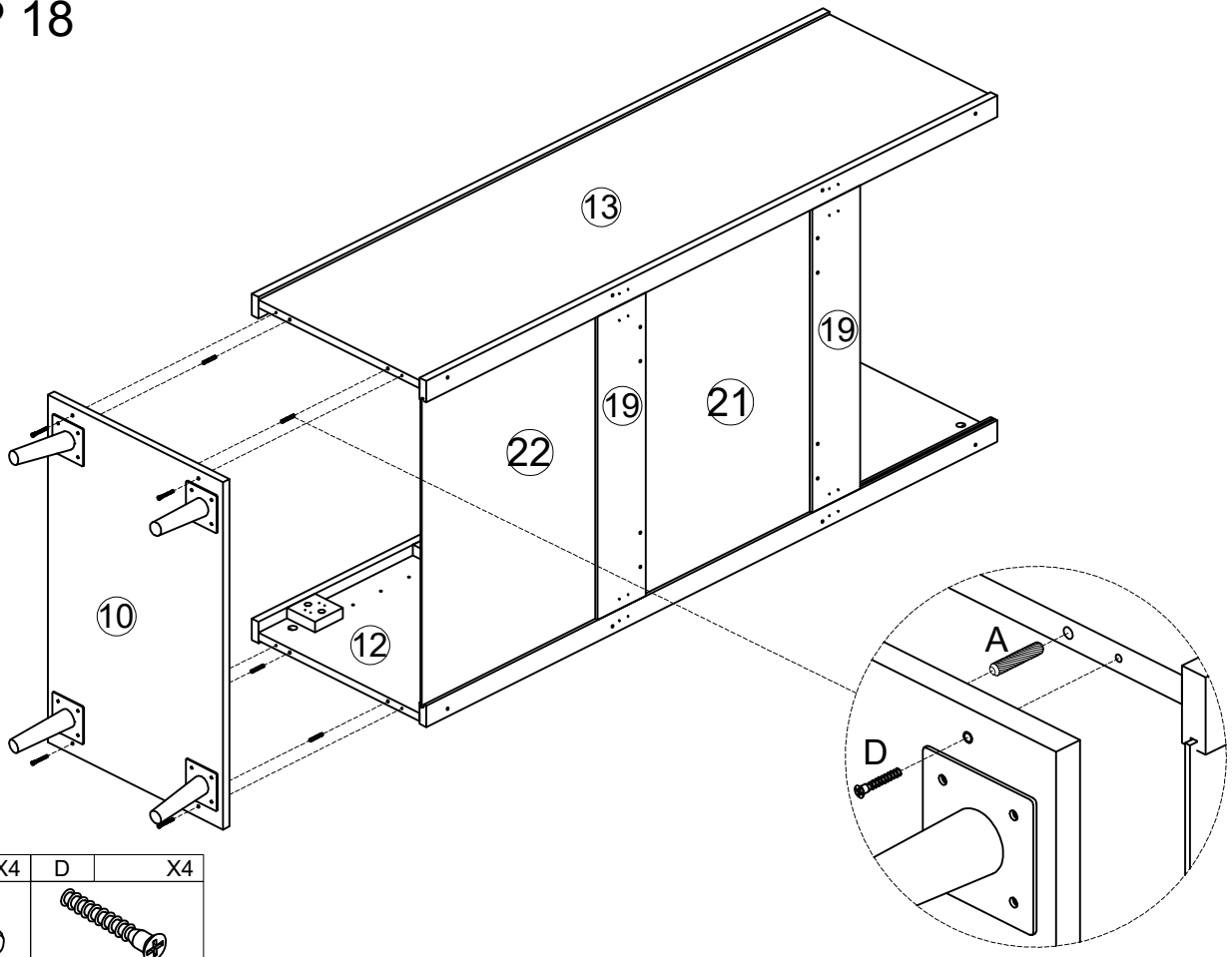
## STEP 17



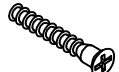
J X16



## STEP 18

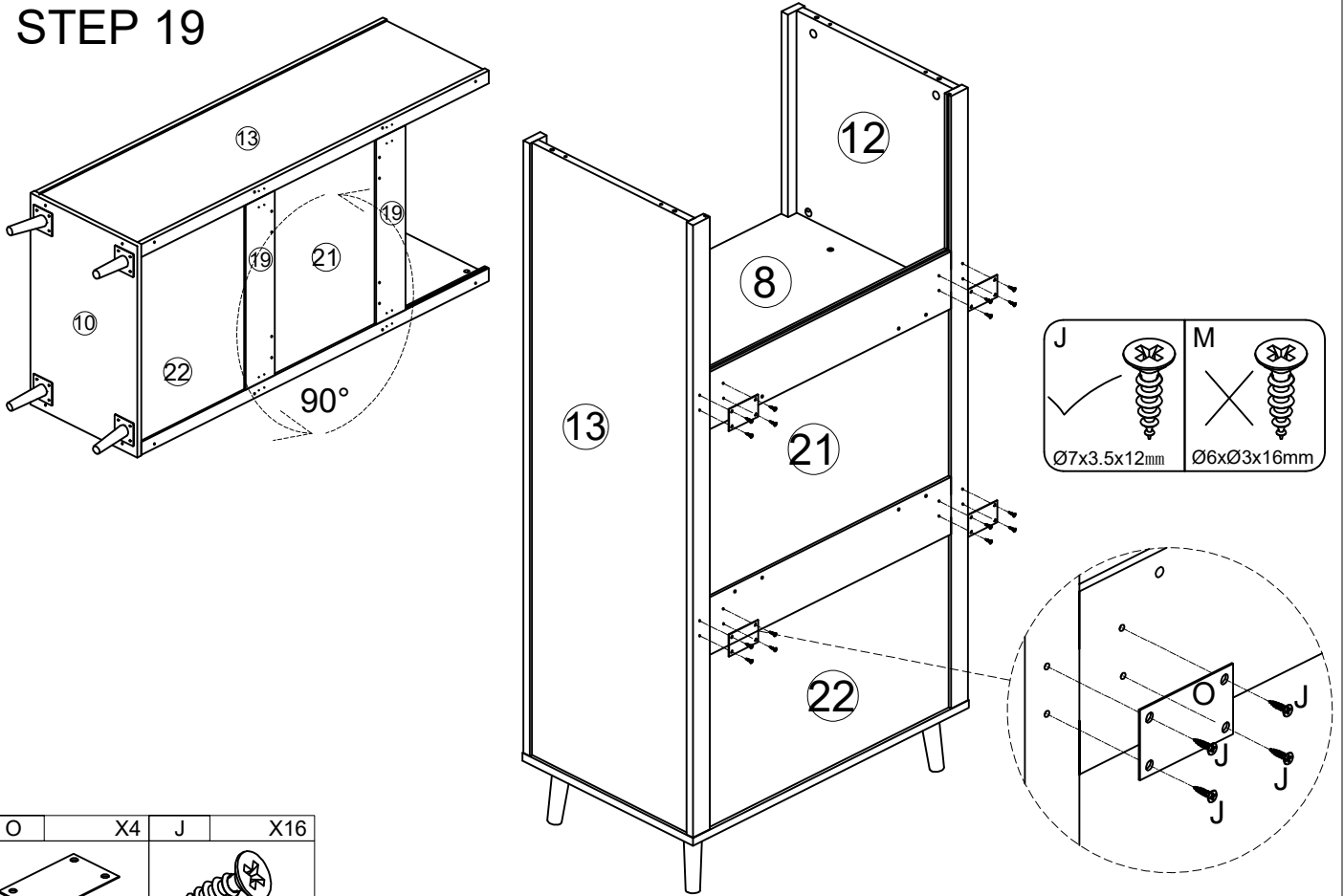


A X4 D X4

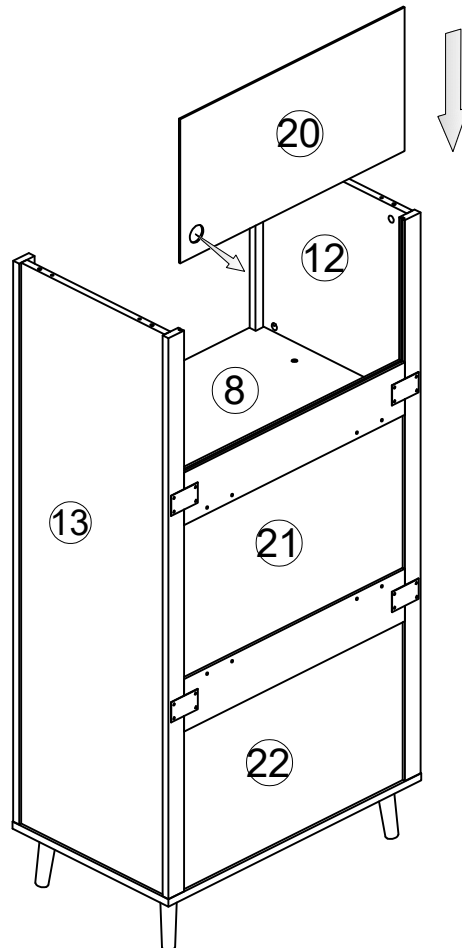


# INSTALLATION

## STEP 19

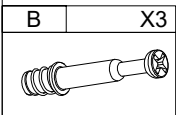
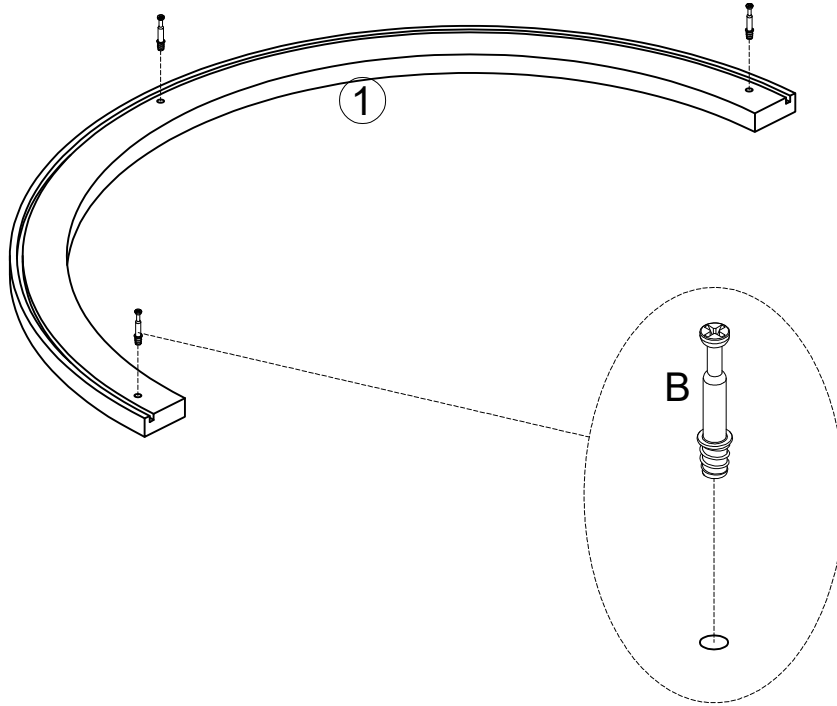


## STEP 20

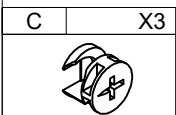
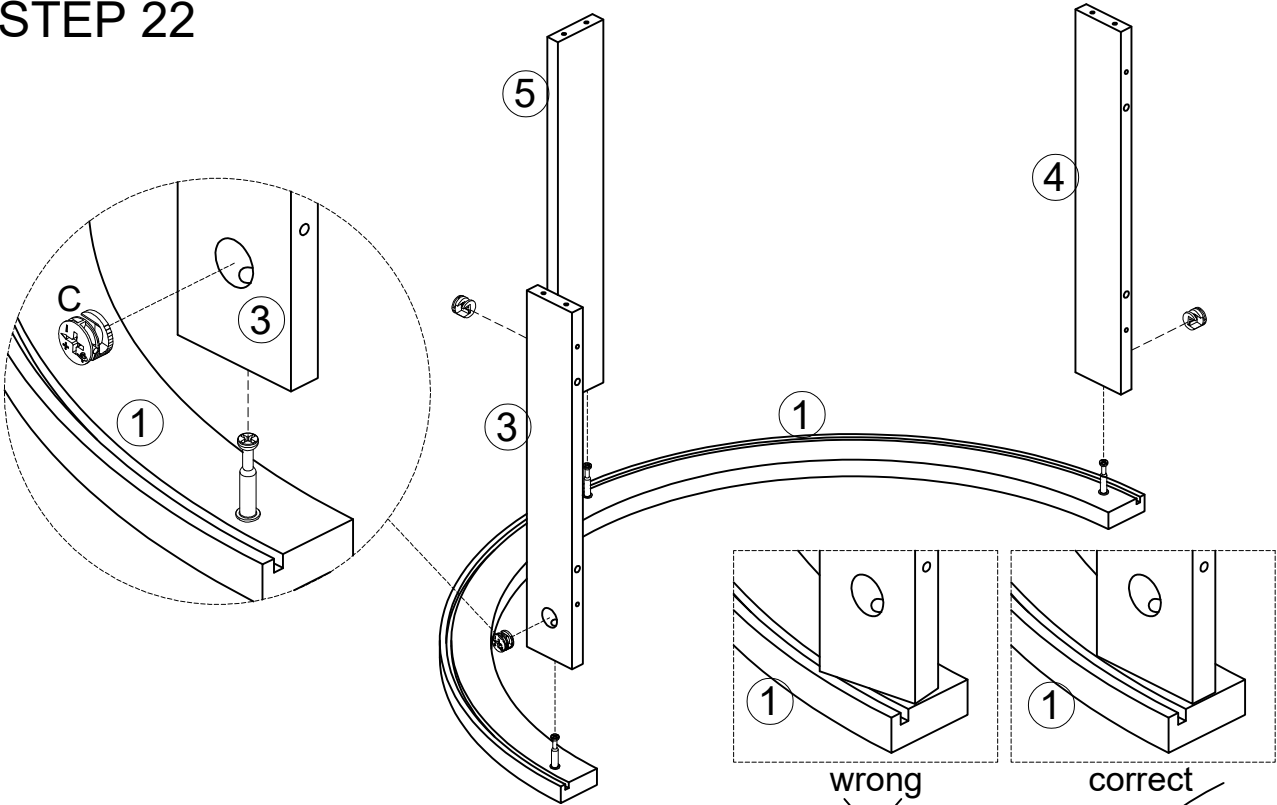


# INSTALLATION

## STEP 21



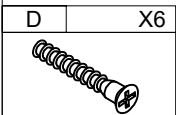
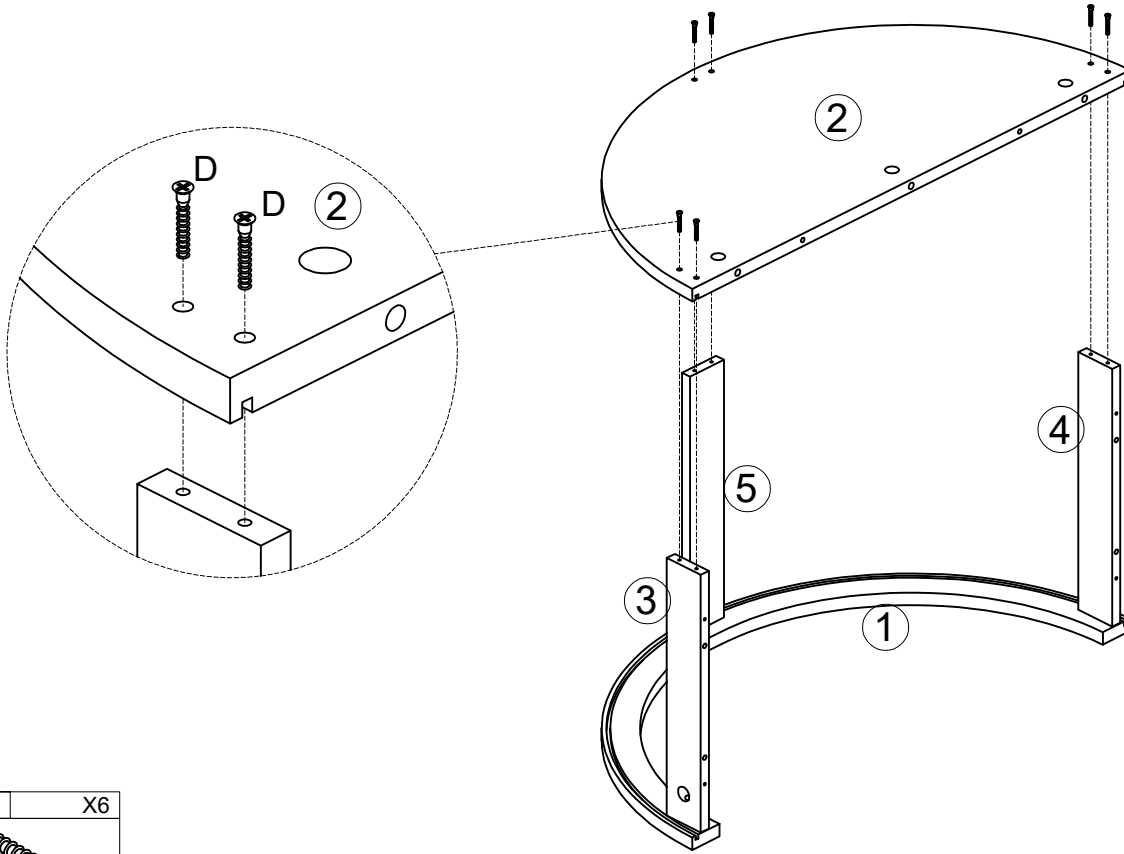
## STEP 22



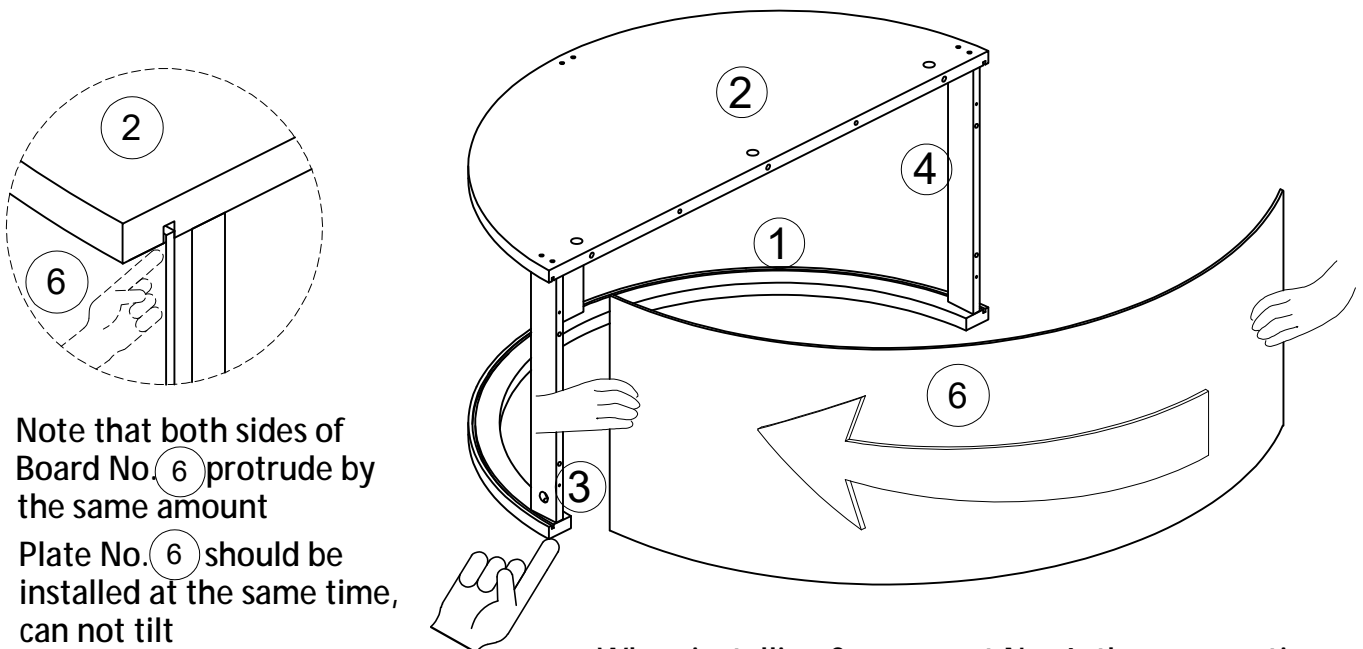
The slot on Component No. 1 should not be blocked

# INSTALLATION

## STEP 23



## STEP 24

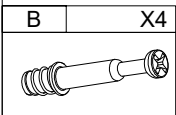
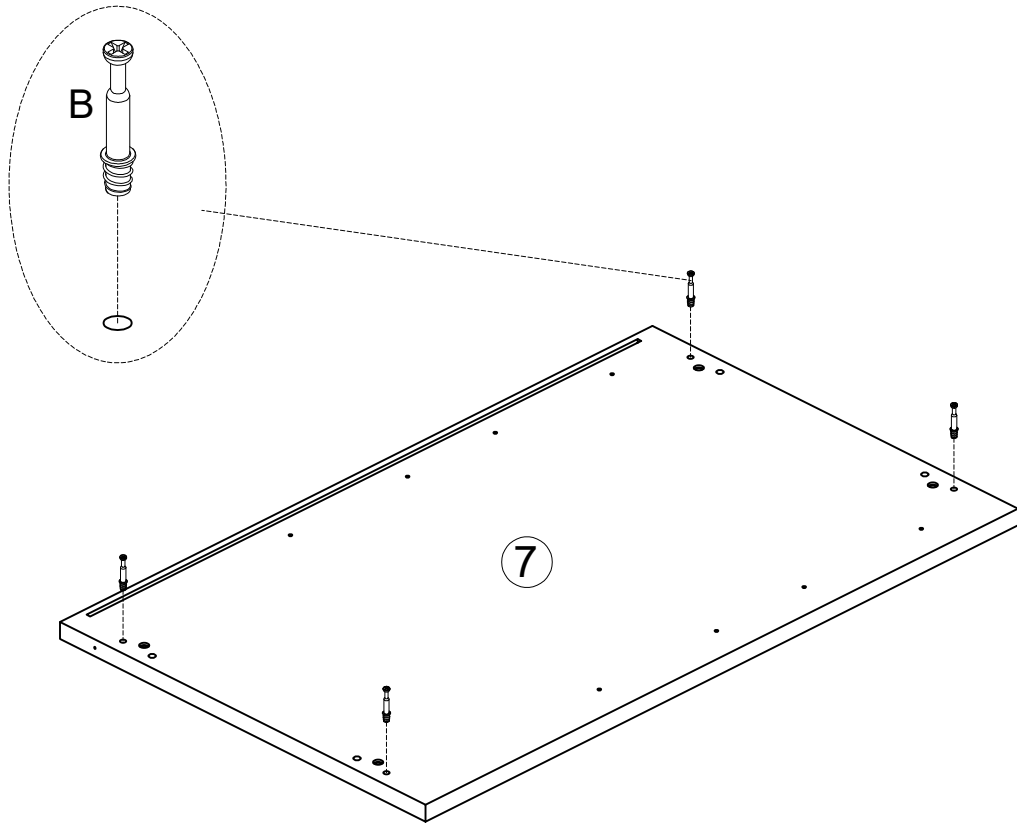


Note that both sides of Board No. 6 protrude by the same amount  
Plate No. 6 should be installed at the same time, can not tilt

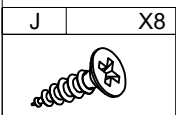
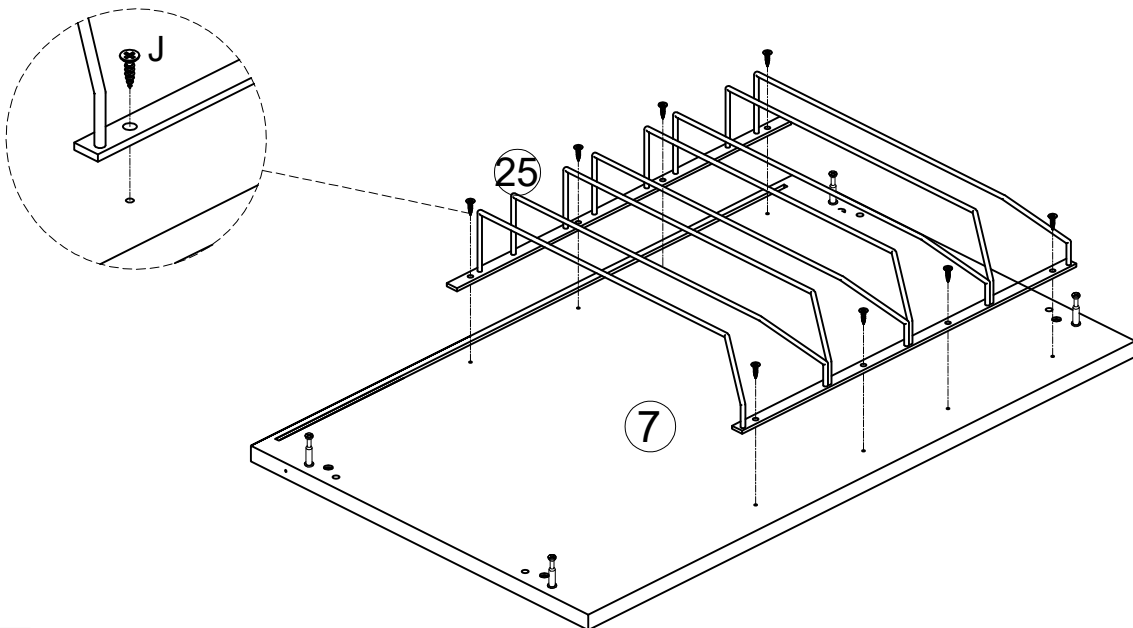
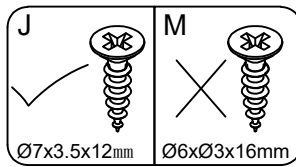
When installing Component No. 6, the cooperation of two people is required. One person pulls in the front and the other pushes from behind.

# INSTALLATION

## STEP 25

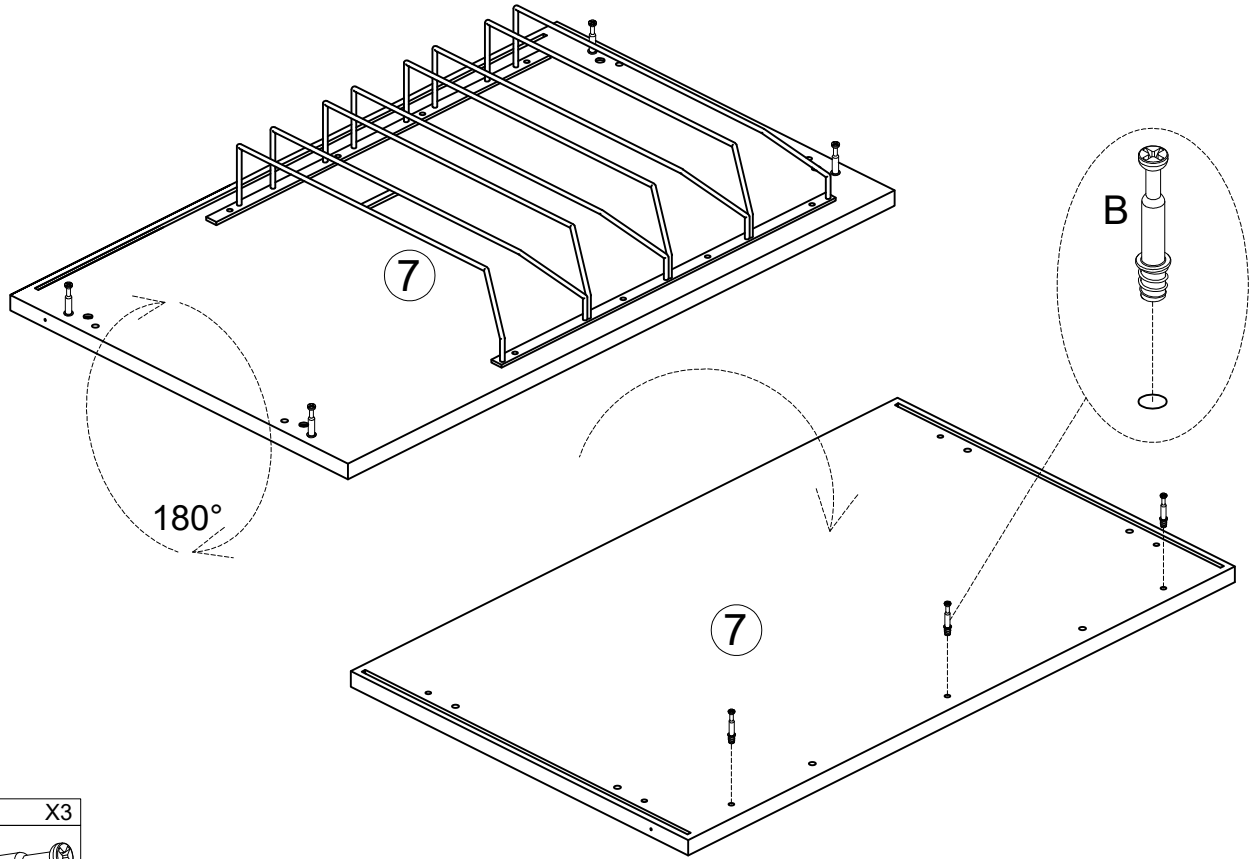


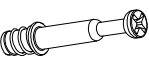
## STEP 26



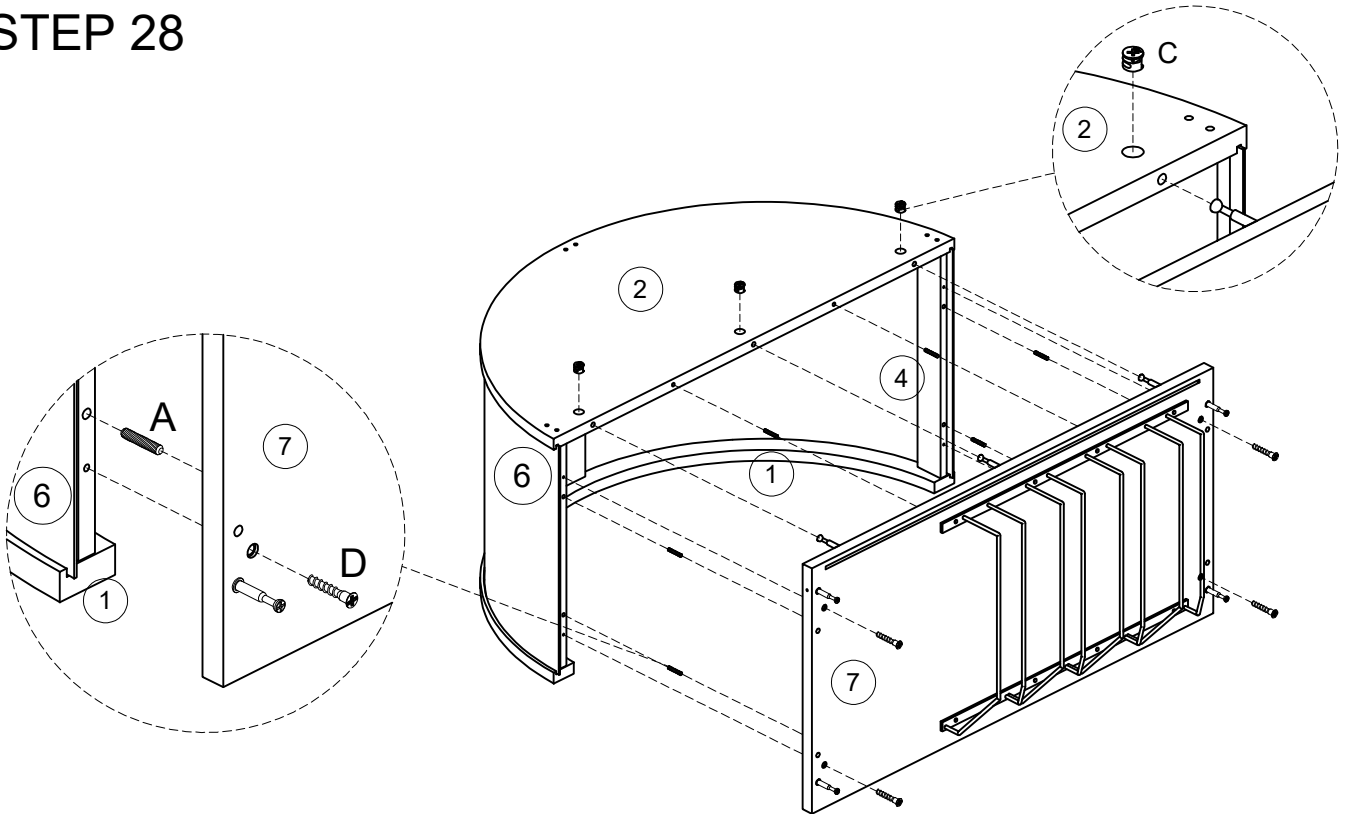
# INSTALLATION



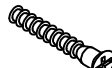
## STEP 27



B	X3
	

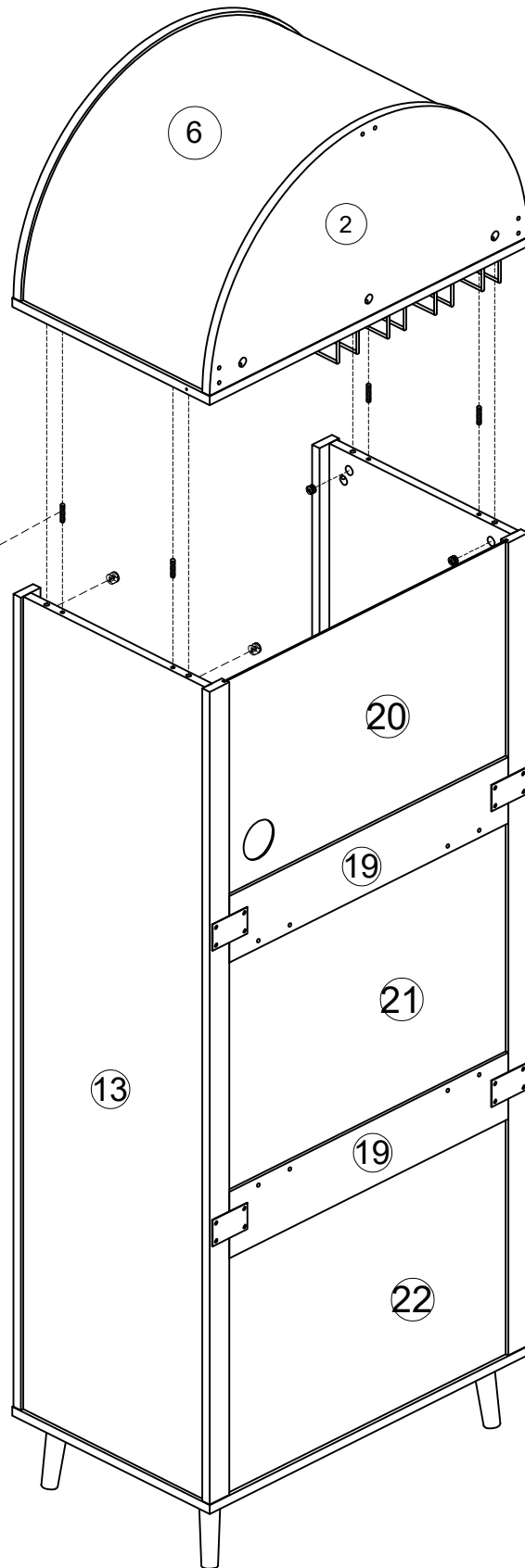
## STEP 28





A	X6	C	X3	D	X4
					

# INSTALLATION

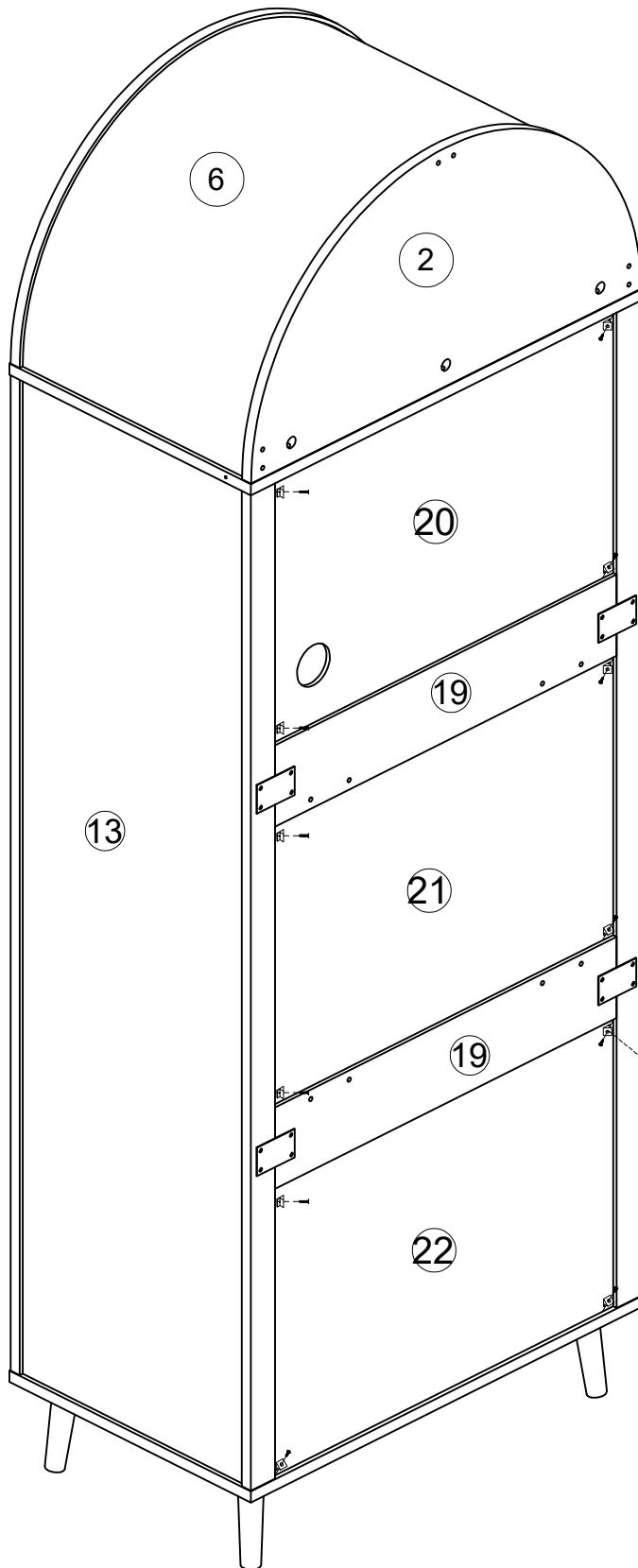
## STEP 29



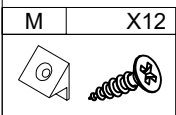
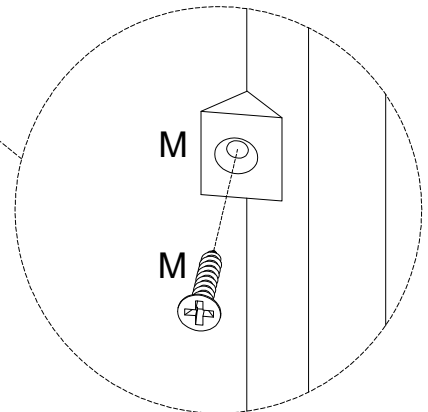
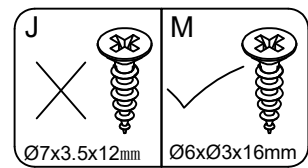
A	X4	C	X4
			

# INSTALLATION

## STEP 30

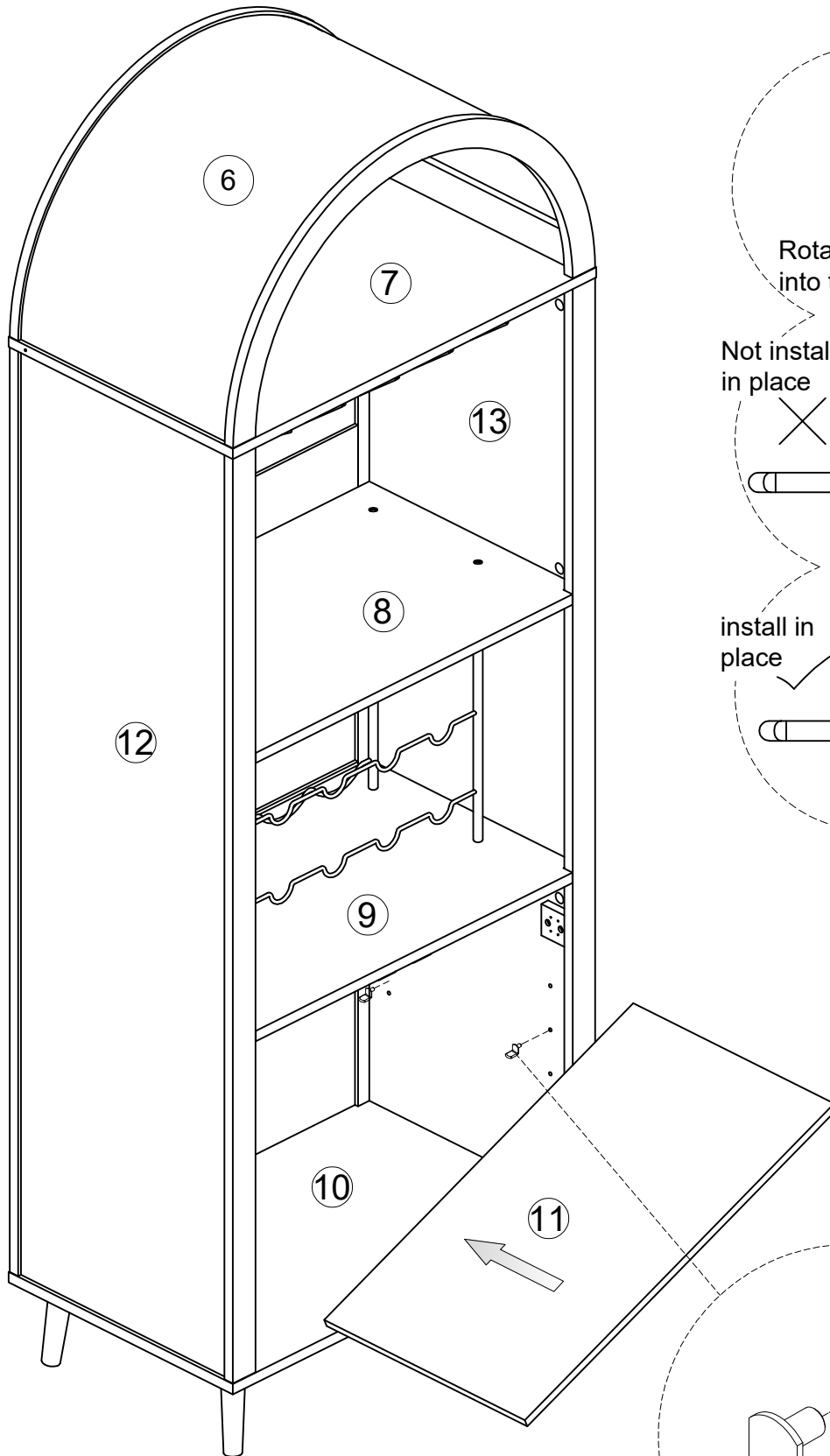


The back plate fasteners and screws must be properly assembled; otherwise, the device will shake!

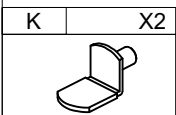


# INSTALLATION

## STEP 31

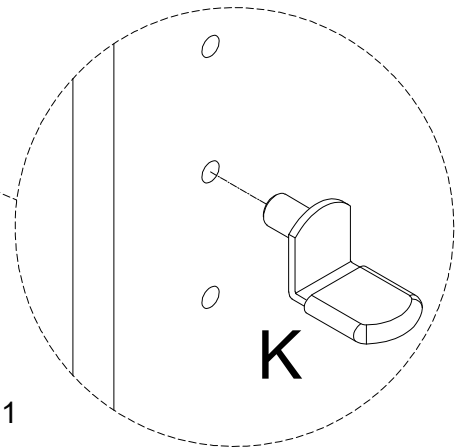
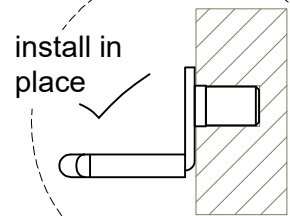
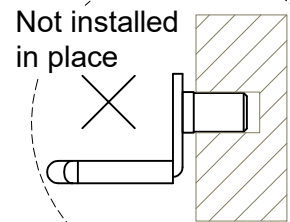
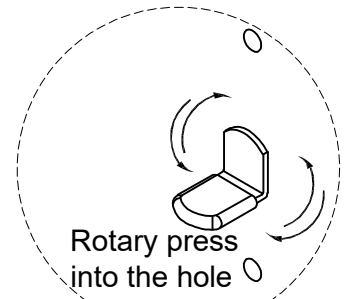
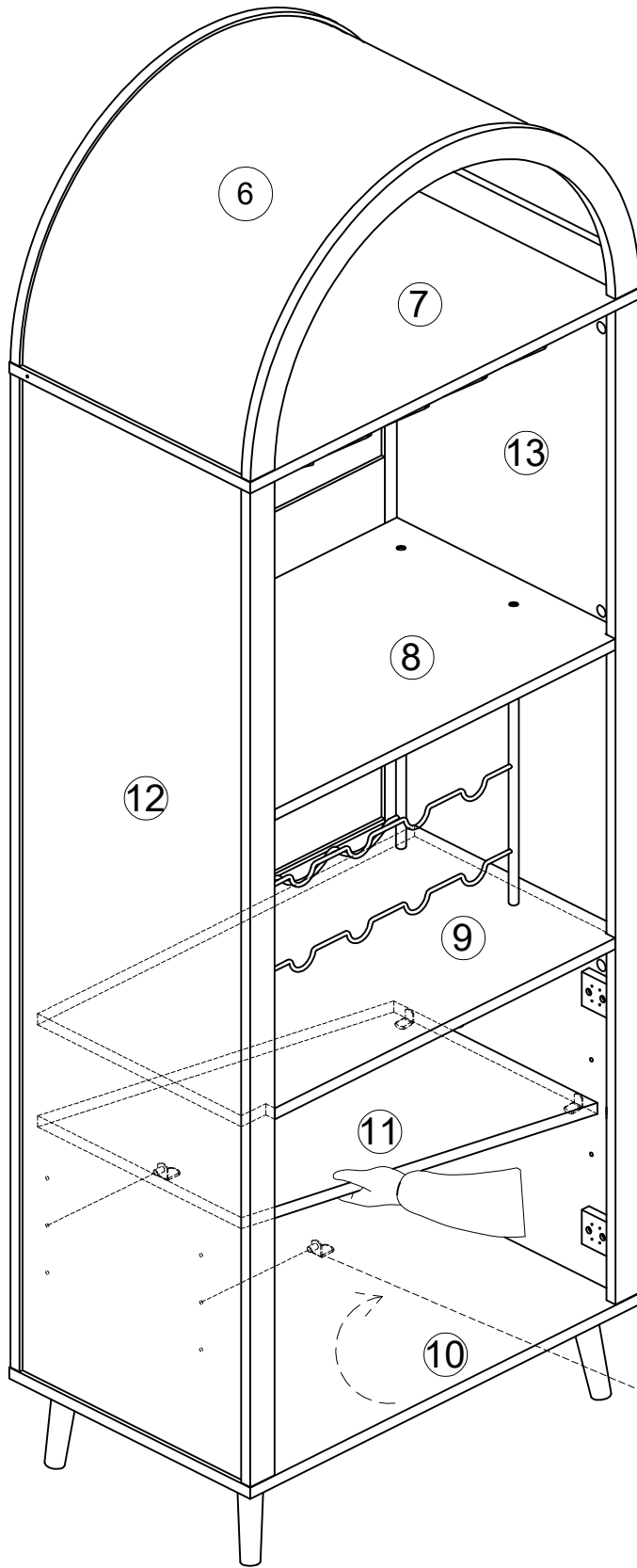


First, insert two metal fittings K on one side, and then insert Component No. 11 obliquely. Next, insert the other two metal fittings K (refer to Step 26)

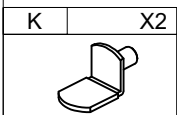


# INSTALLATION

## STEP 32

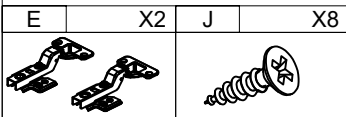
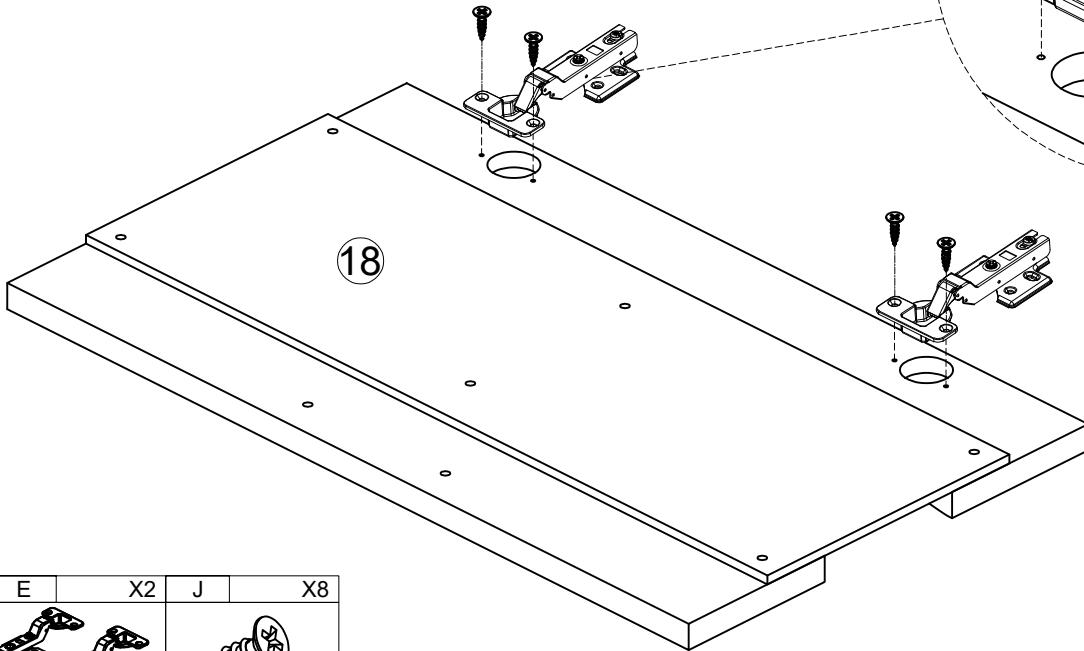
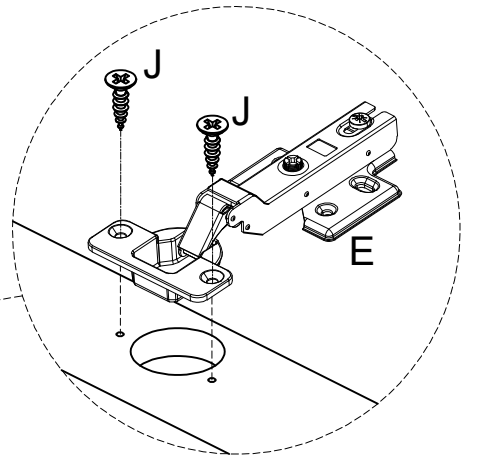
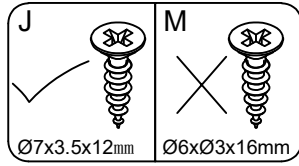


First, place one side of Component No. 11 in a metal tray and hold it by hand on the other side, then put in two metal accessories K



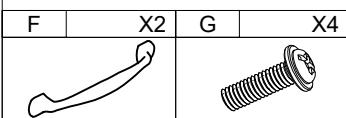
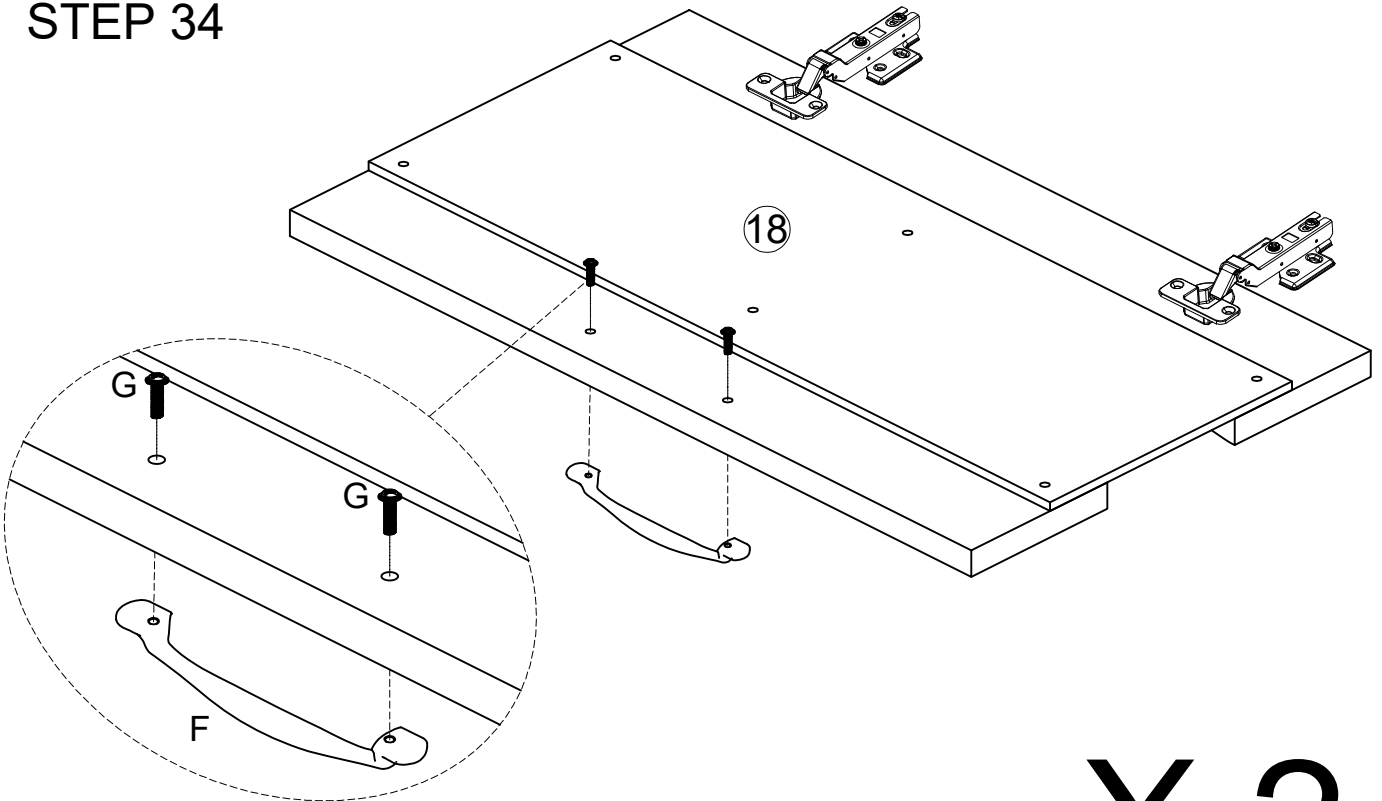
# INSTALLATION

## STEP 33



# X 2

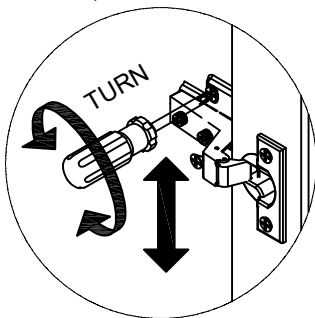
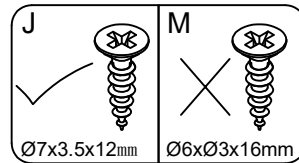
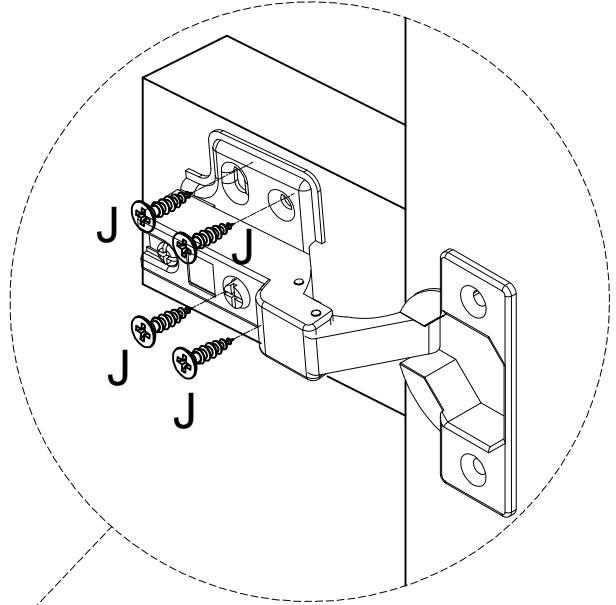
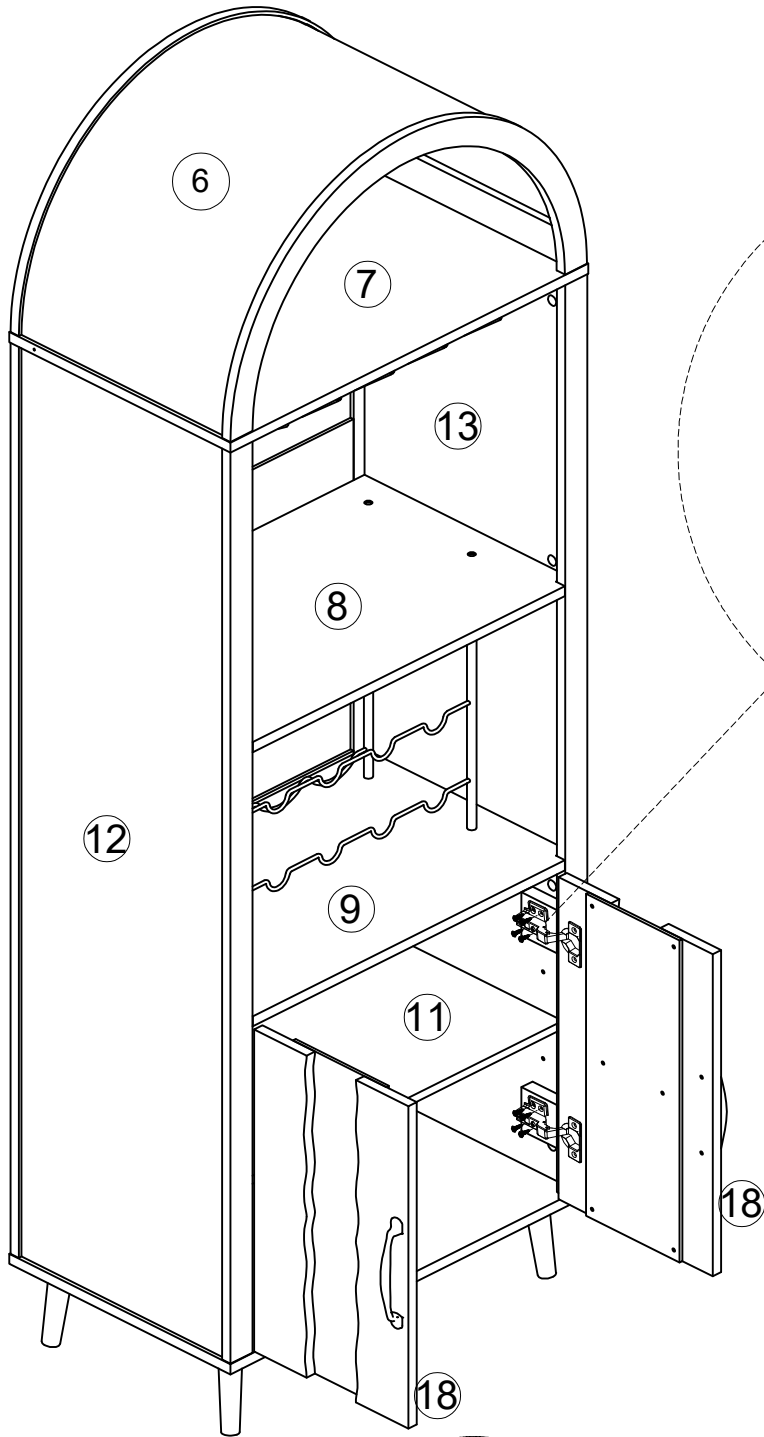
## STEP 34



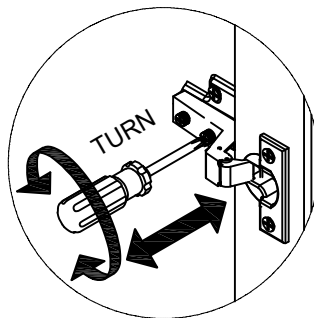
# X 2

# INSTALLATION

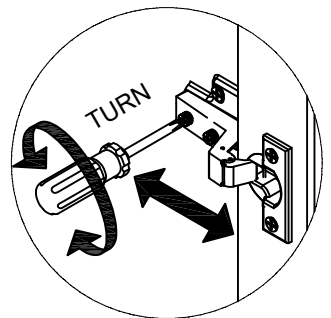
## STEP 35



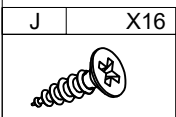
Loosen this screw and push up/down for a slight up-down adjustment of the door.



Loosen this screw for a slight left-right adjustment of the door.

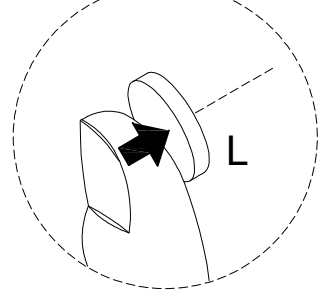
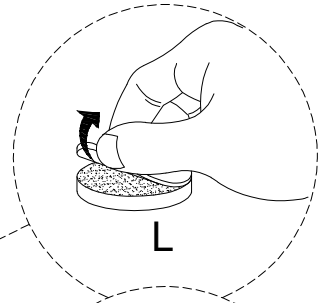
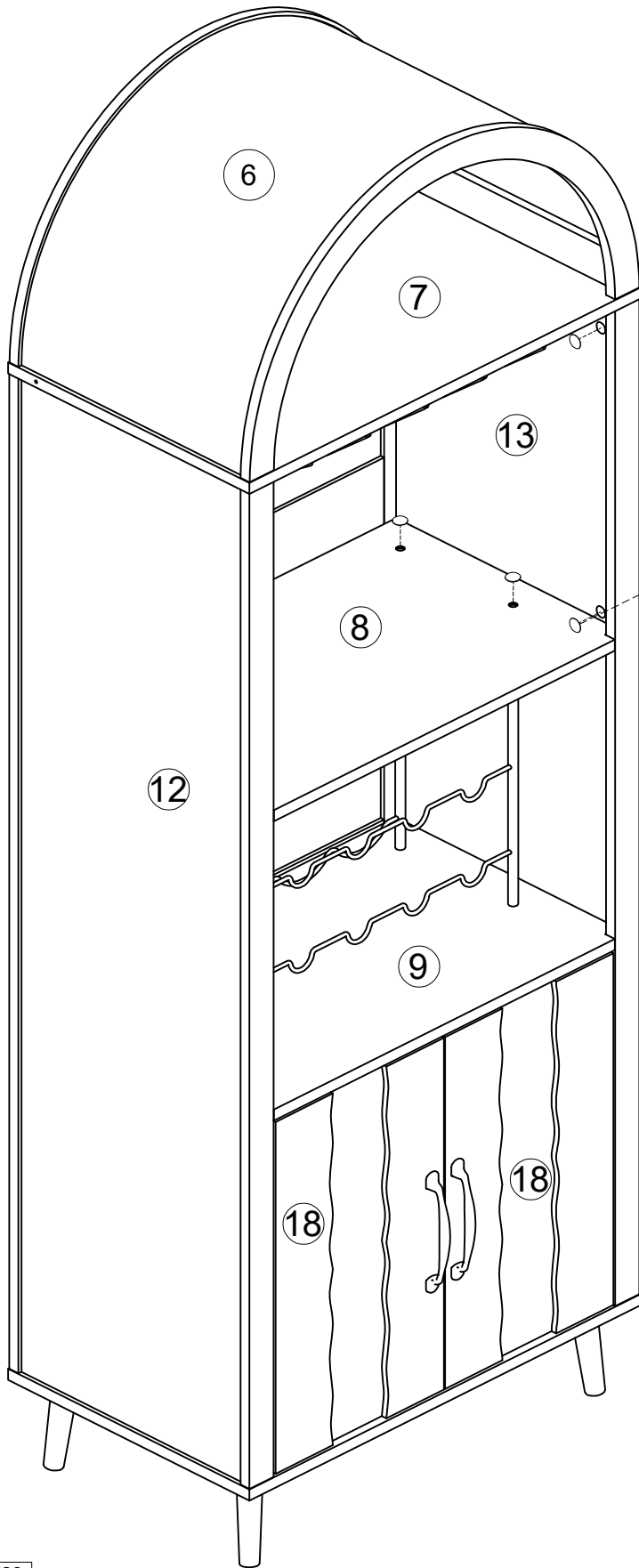


Loosen this screw and push forward/backward for a slight front-back adjustment of the door.



# INSTALLATION

## STEP 36

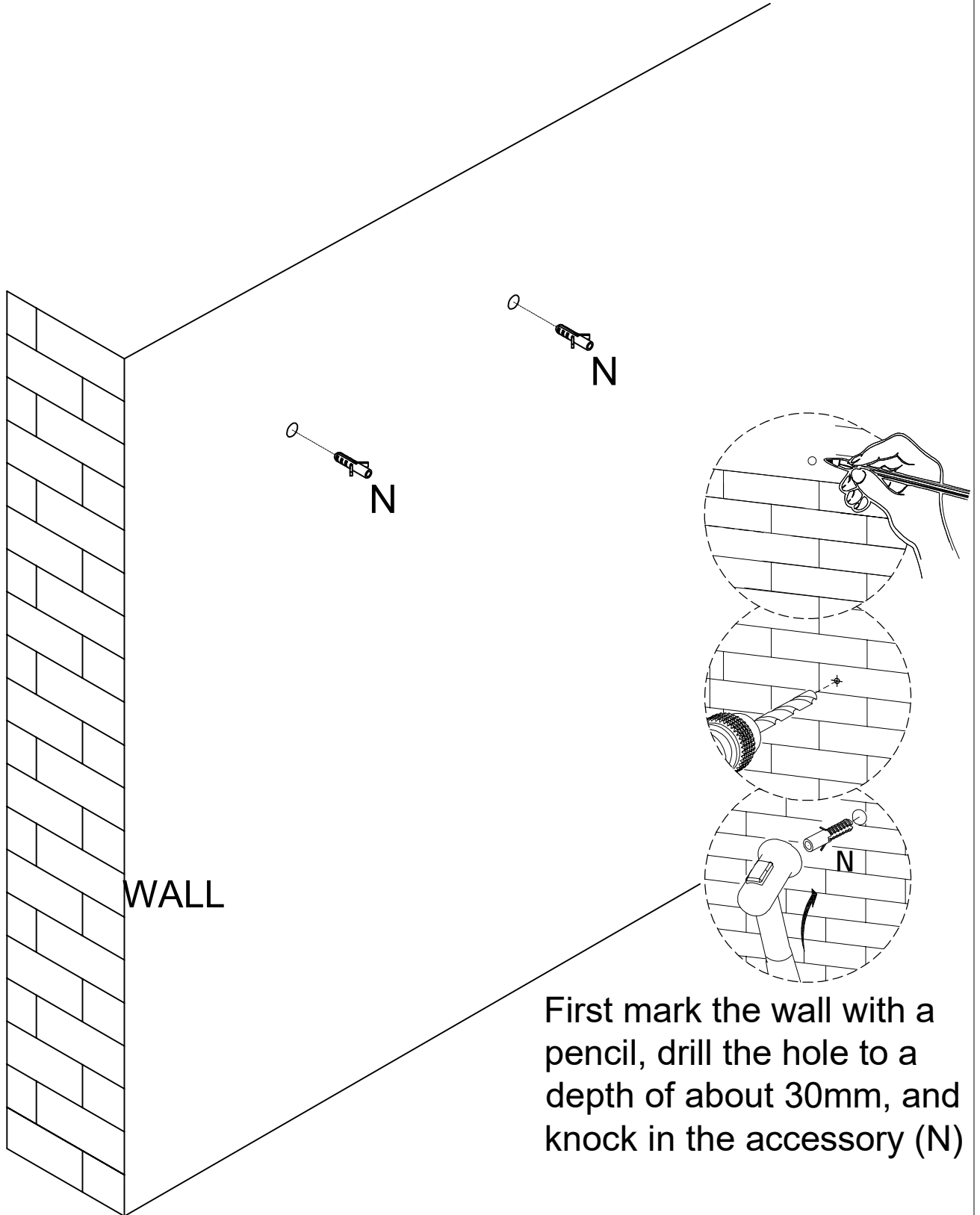


Cover the visible hole with a cap

L	X23

# INSTALLATION

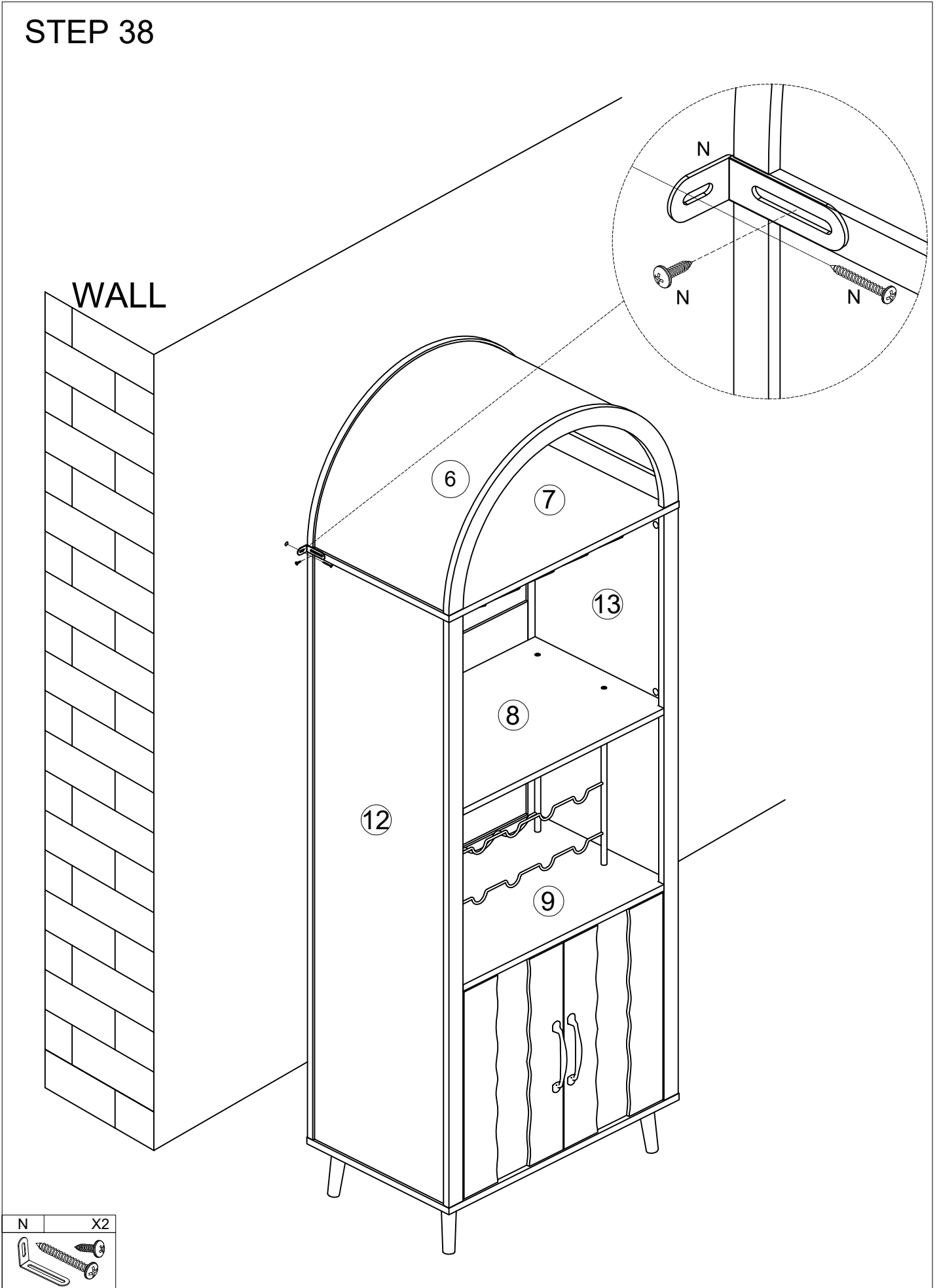
## STEP 37



N	X2

# INSTALLATION

## STEP 38



INSTALLATION

STEP 39

