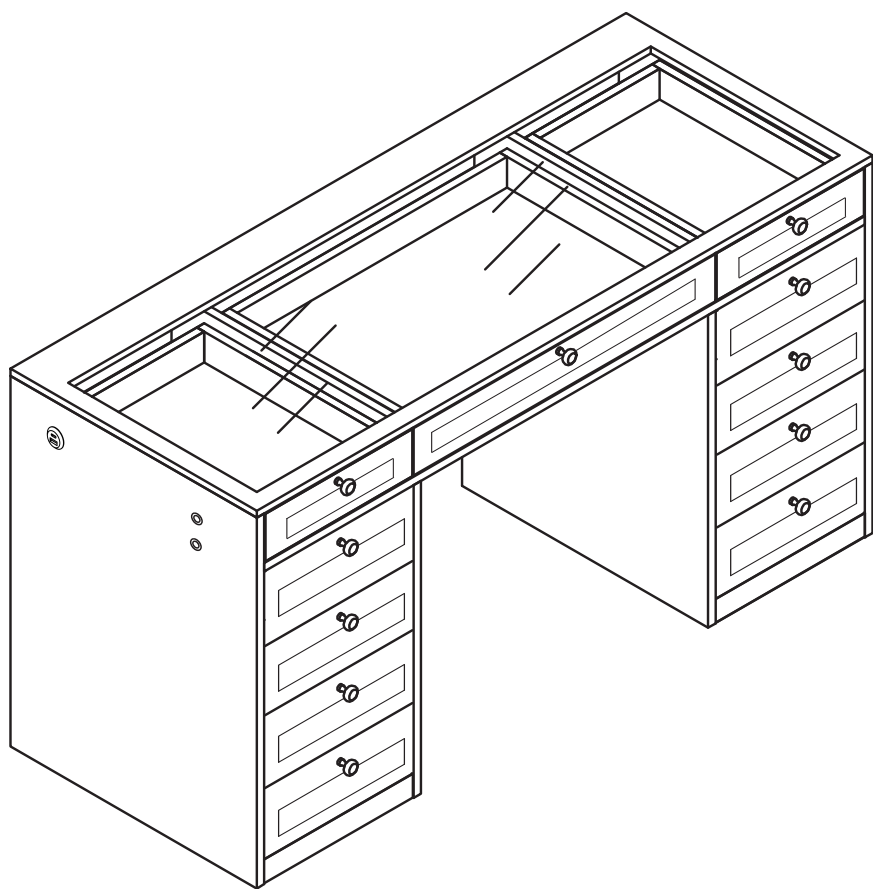


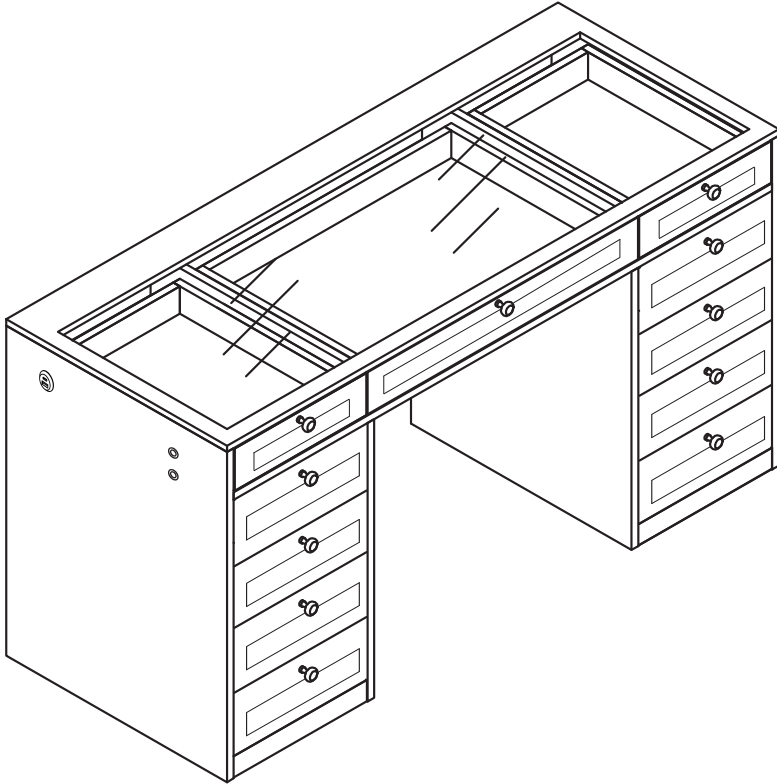
# VANITII



# VANITII

## Priscilla Vanity Desk

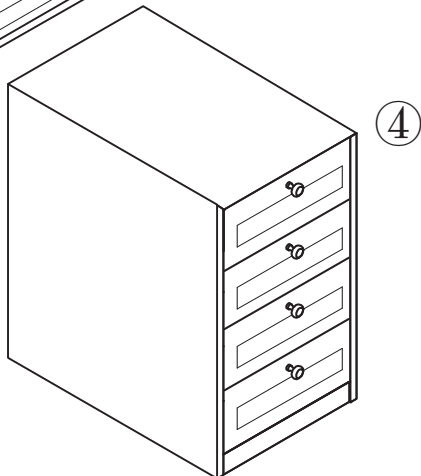
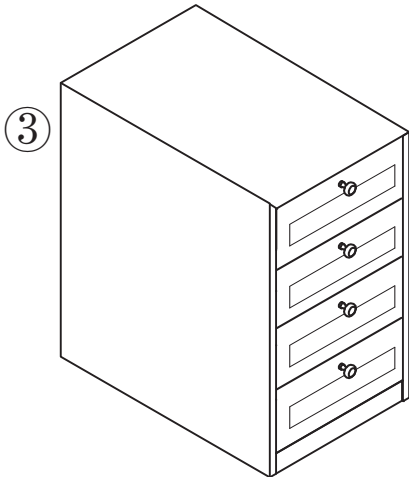
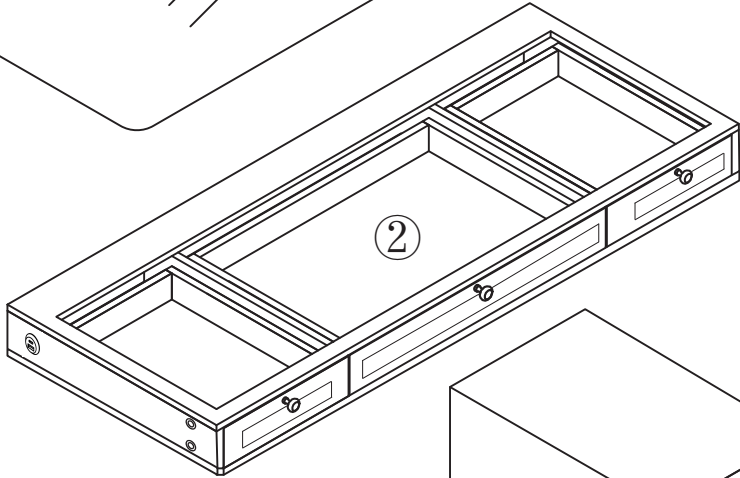
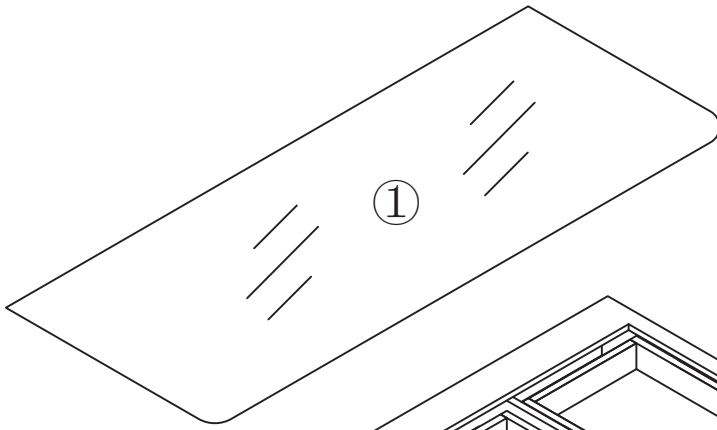
**PLEASE READ THIS MANUAL THOROUGHLY BEFORE USING THIS APPLIANCE**



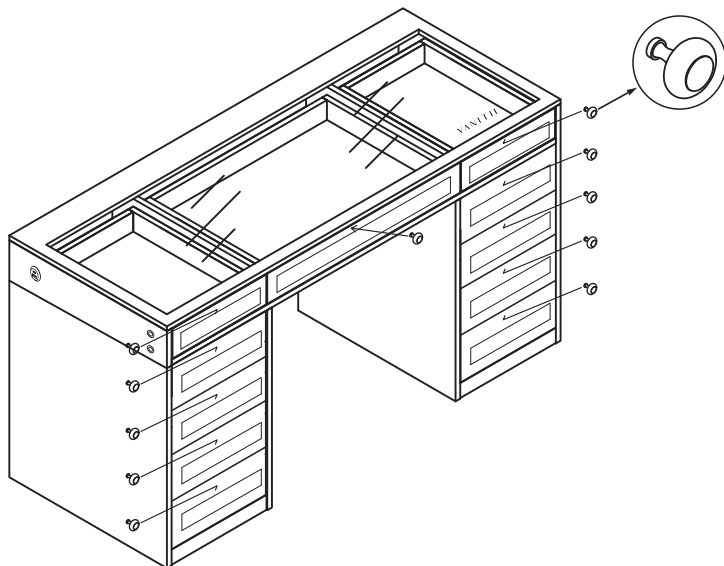
Dear Customer:

Thank you for allowing us in your glam room, please pay attention to the following points when installing:

1. Before installation, please spread carpet or fabrics like cotton or velvet on your floor to avoid damaging your floor and/or this product.
2. Only adults are allowed to install - please remove all children from the area



STEP 1.



STEP 2.



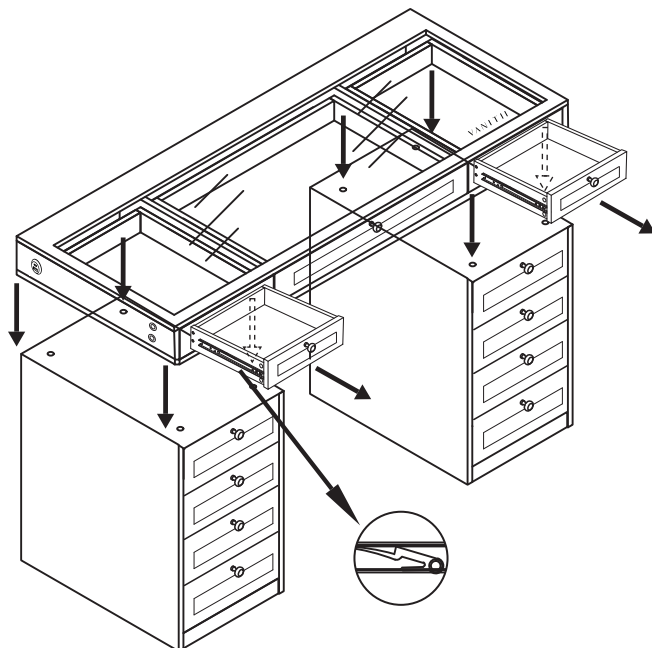
Screwdriver\*1



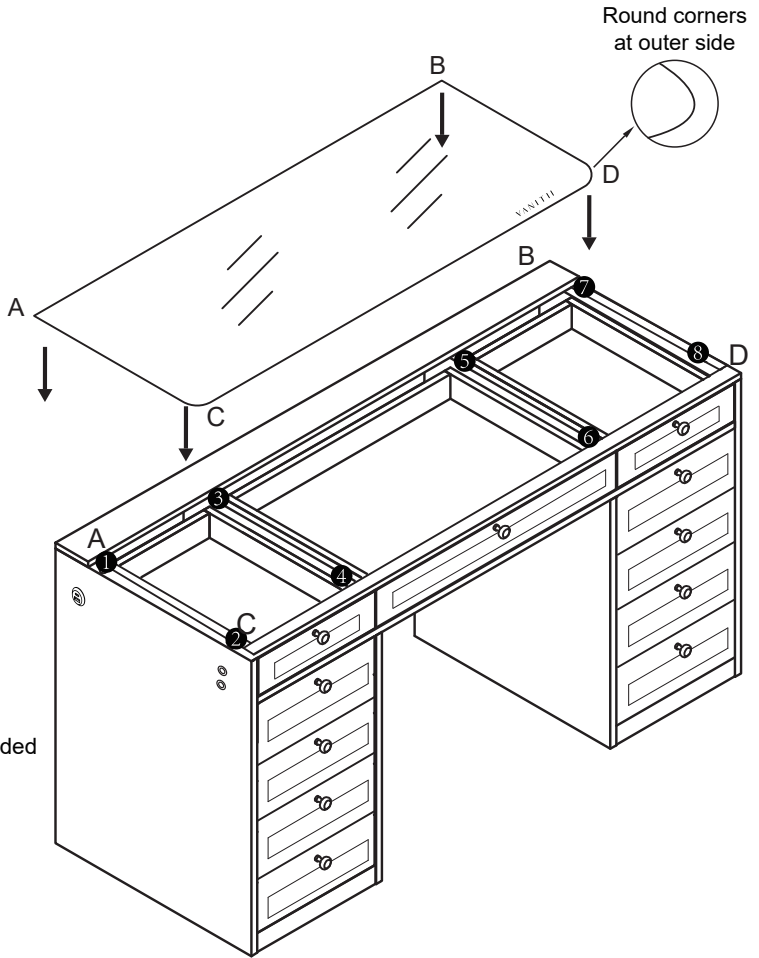
6x30mm

Screw\*8

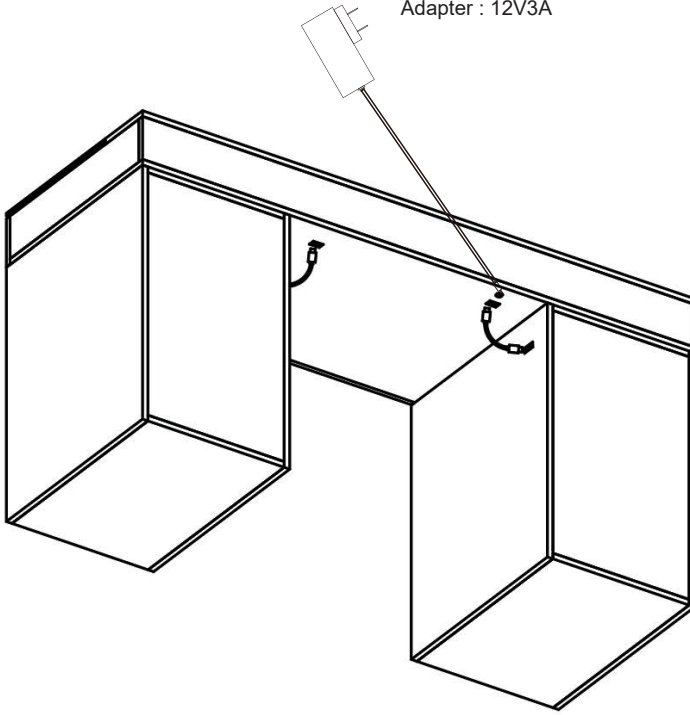
+2 spare part included



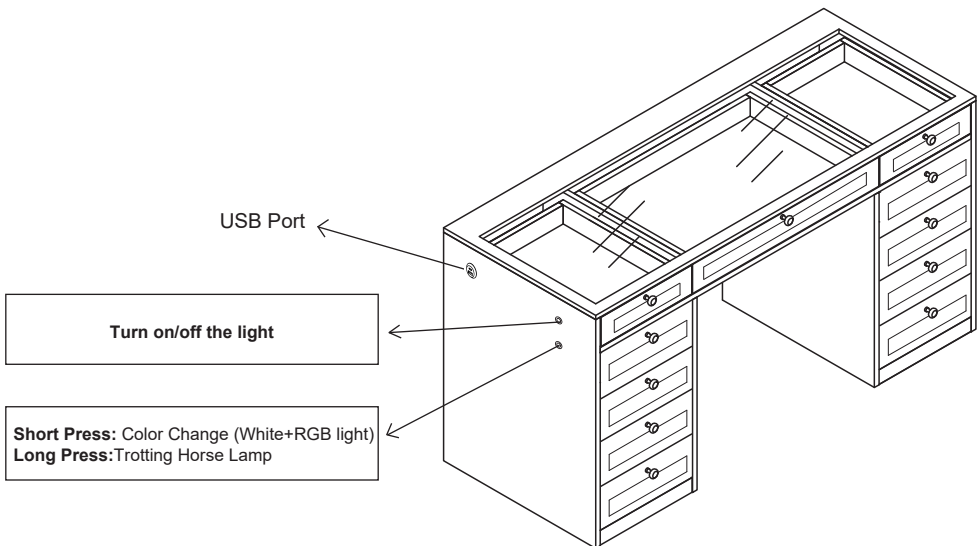
STEP 3.



Adapter : 12V3A



## Priscilla Pro Vanity Desk




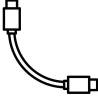


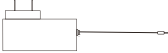


USB Port

Turn on/off the light

Short Press: Color Change (White+RGB light)  
Long Press: Trotting Horse Lamp

## ACCESSORIES ITEMS

 Handle*8+4	 6x30mm Screw*10	 4x22mm Screw*8+4	 TYPE-C Power Cord*2 (Only for Priscilla Vanity TYPE-C)
 Screwdriver*1	 Silicone Pad*10 (Only For Matte White Item)	 Adapter*1	



**HANDLE WITH CARE.**

**Gently unpack all parts to avoid damage.**

**When assembling, ensure all screws are fully tightened before use.**