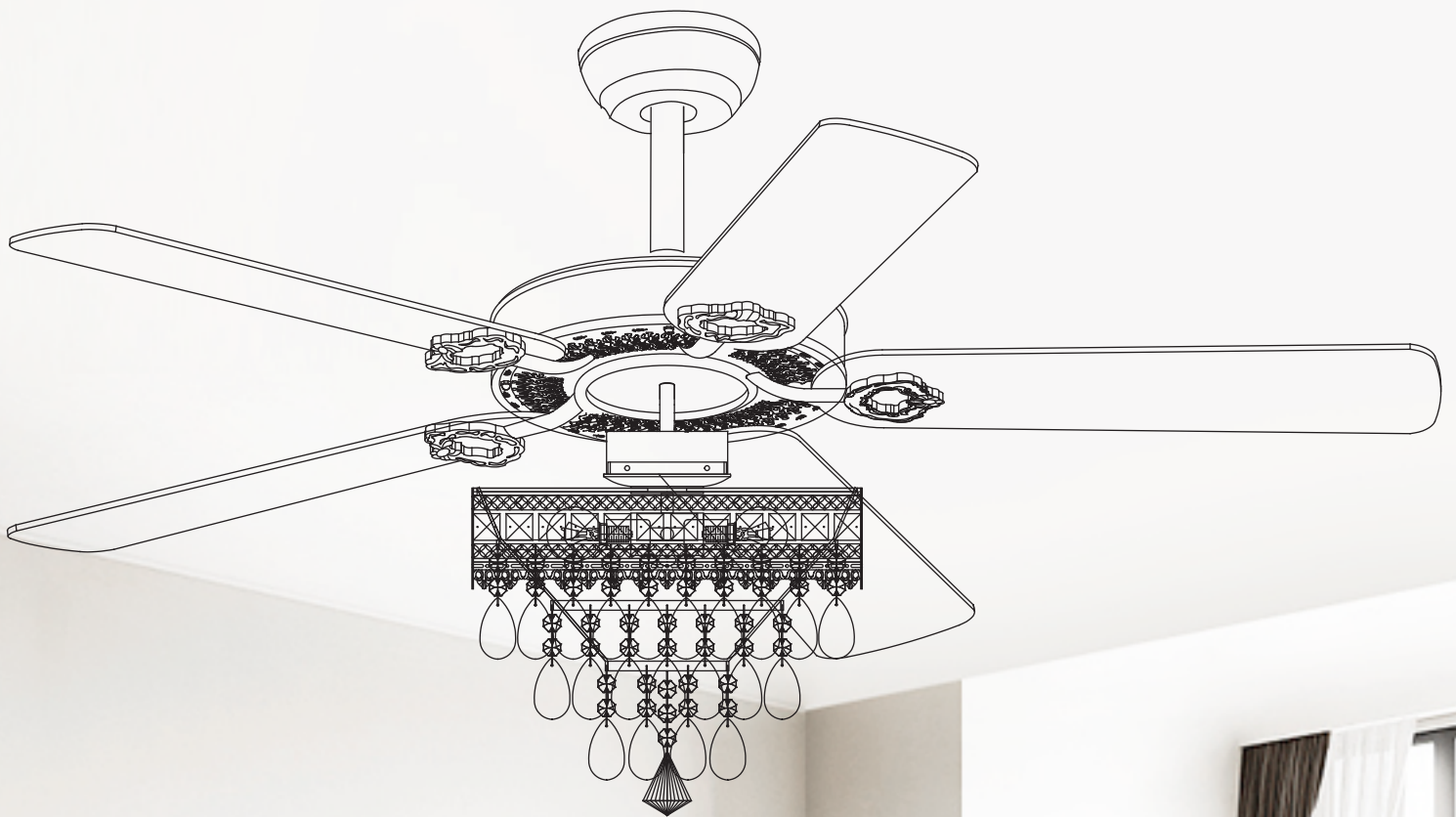


Ceiling Fans with Lights

READ AND SAVE THESE INSTRUCTIONS



SAFETY RULES

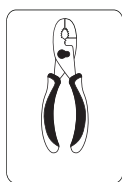
1. To reduce the risk of electric shock, turn off the electricity of the fan at the main fuse box or circuit panel before beginning.
2. All wiring must be in accordance with the local electrical codes or National Electrical Code. Electrical installation should be performed by a qualified licensed electrician.
3. To avoid personal injury, the use of gloves may be necessary while handling fan parts with sharp edges.
4. Make sure the installation site you choose allows clear space for the blades to rotate and at least 7 feet (2.13 meters) of clearance between the floor and the fan blade tips. The fan should be mounted so that the tips of the blades are at least 18 inches (45.72 centimeters) from walls or other upright structures.
5. **WARNING:** To reduce the risk of fire, electric shock, or personal injury, mount fan only to an outlet box marked acceptable for fan support and use mounting screws provided with the outlet box. Most outlet boxes commonly used for the support of lighting fixtures are not acceptable for fan support and may need to be replaced. Consult a qualified electrician if in doubt.
6. The outlet box and ceiling support structure must be securely mounted and capable of supporting at least 45 KGs.
7. To avoid personal injury or damage to the fan and other items, be cautious when working around or cleaning the fan.
8. Do not use water or detergents when cleaning the fan or fan blades. A dry dust cloth or lightly dampened cloth will be suitable for most cleaning.
9. After making electrical connections, spliced conductors should be turned upward and pushed up carefully into the outlet box. The wires should be spread apart with the grounded conductor and the equipment-grounding conductor on one side of the outlet box.
10. Electrical diagrams are for reference only.
11. The fan is suitable for indoor use only.

TOOLS REQUIRED

Tools required for assembly(not included)



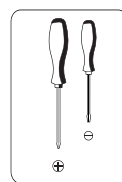
Step Ladder



Power Drill



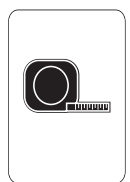
Screwdriver



Wire Stripper

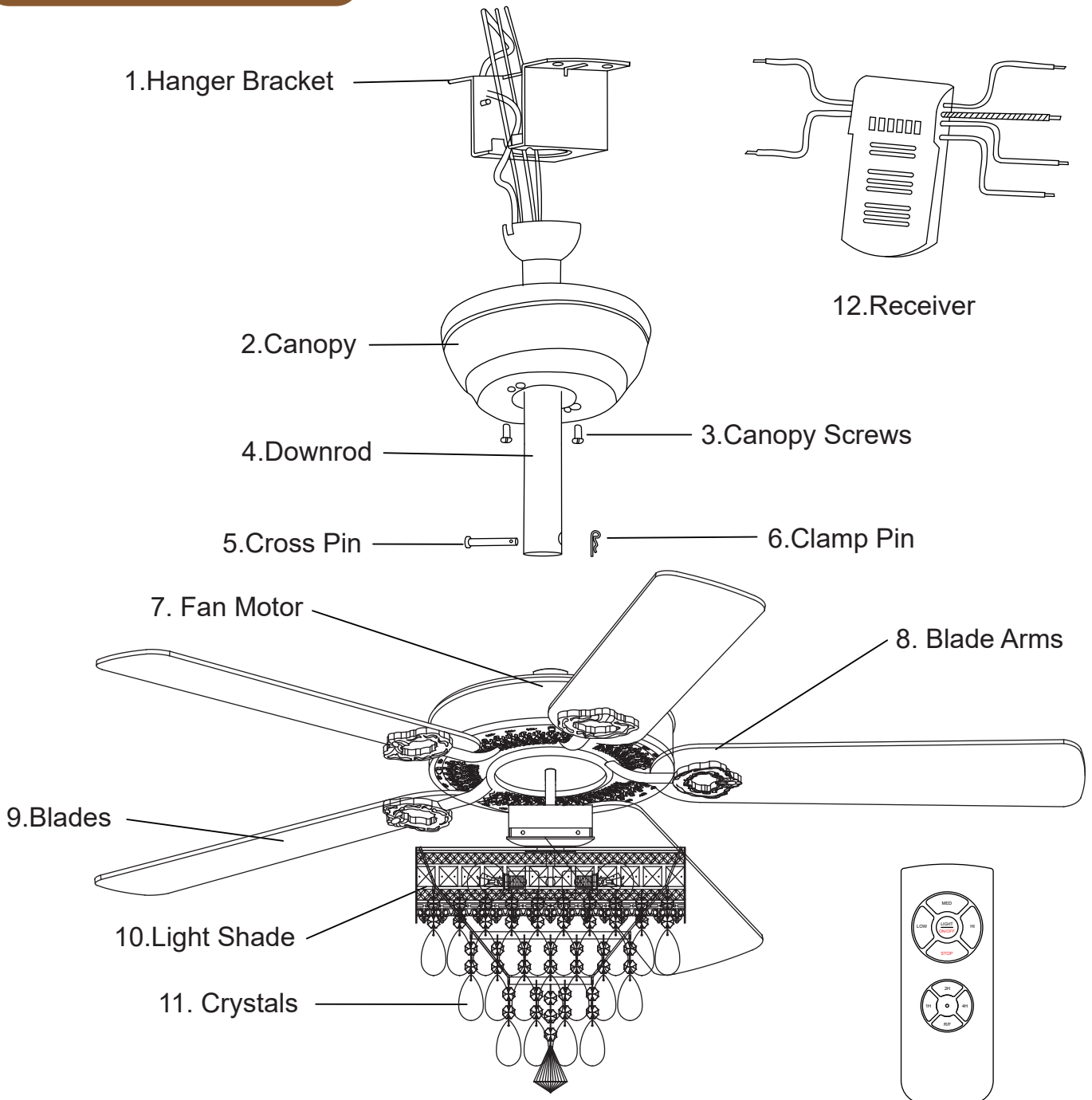


Electrical Tape

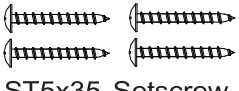
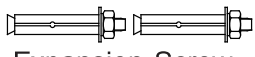






Wrench

PART LIST



SCREWS BAG

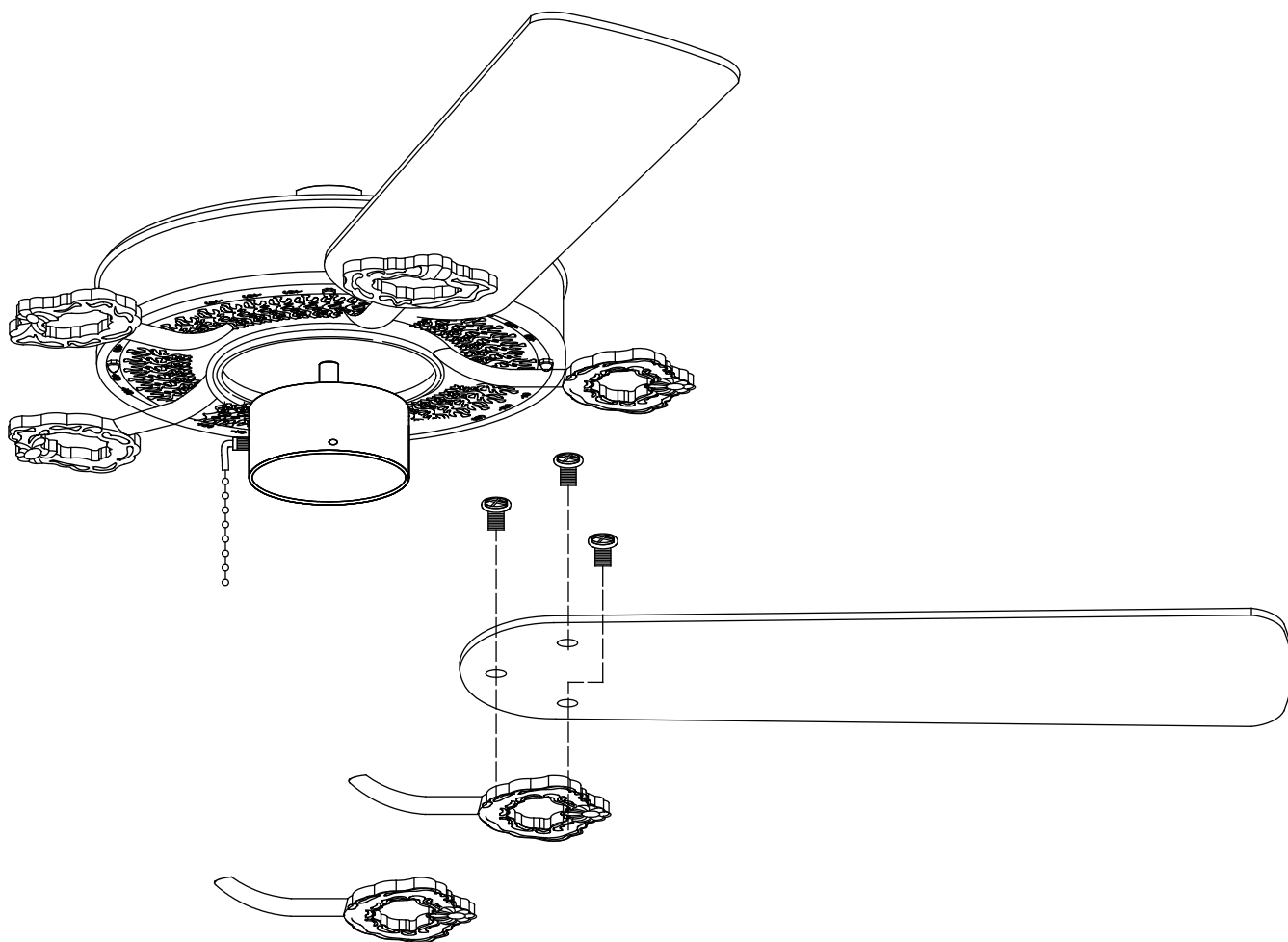
Item no.	Reference Image	Qty.
1	 ST5x35 Setscrew	x4
2	 Expansion Screw	x2
3	 Screws for Blades	x13

Item no	Reference Image	Qty.
4	 Wire Cap	x2
5	 Balance Pack	x1
6	 Fabric Washer	x13

GROUND ASSEMBLY

ATTACH THE FAN BLADES

1. Align the three mounting holes in each blade with the corresponding three holes in an arm, and fix the blade to the arm tightly with three screws provided.
2. Repeat the above step for the connection of the 4 left blades and arms.
3. Insert the arm-end of each blade into the installation position at the bottom of the motor, and fix the arm-end to the motor tightly with screws provided.
4. Repeat the above step for the installation of the 4 left blades to the motor.
5. After each blade is installed, please gently sway the blade to ensure a secure connection.



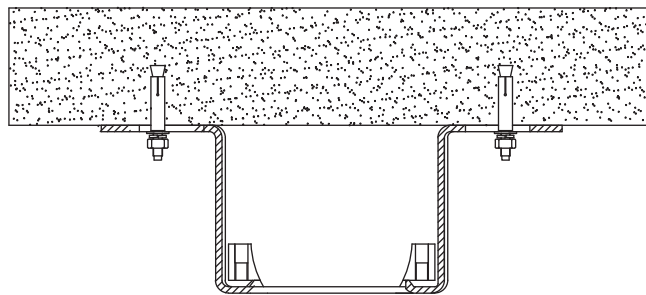
MOUNTING BRACKET

Tools Required: Phillips Screwdriver, Pair of Pliers, Straight slot screwdriver, Adjustable Wrench, Step Ladder and Wire Cutters.

ATTACH THE FAN BLADES

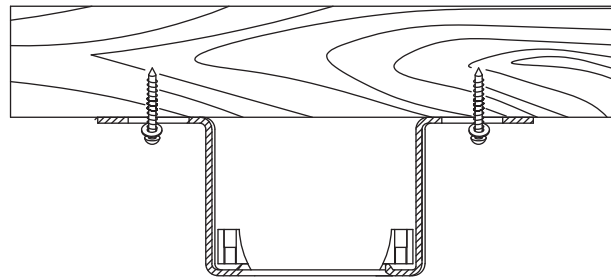
To prevent personal injury and damage, ensure that the hanging location allows the blade a clearance of 7 feet (2.13 meters) from the floor and 18 inches (45.72 centimeters) from any wall or obstruction.

1. If there isn't an existing CUL listed mounting box, then read the following instructions: For the concrete ceiling: Mark the location for the ceiling fan first then drill two holes in the ceiling to aid in securing ceiling bracket with two expansion screws provided, and secure the mounting bracket to the building structure with two expansion screws provided, tighten the screws. (Fig.1)



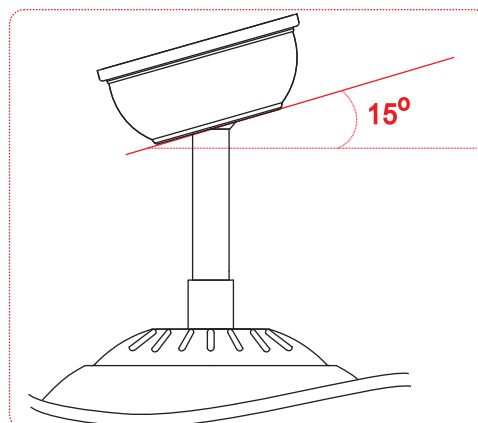
(Fig.1)

2. For the Wood Ceiling: Mark the location for the ceiling fan first, secure the mounting bracket to the building structure with four wood screws provided.(Fig.2)



(Fig.2)

3. Refer to the Fig.3 for mounting when the ceiling is angled max.15 degree angle.

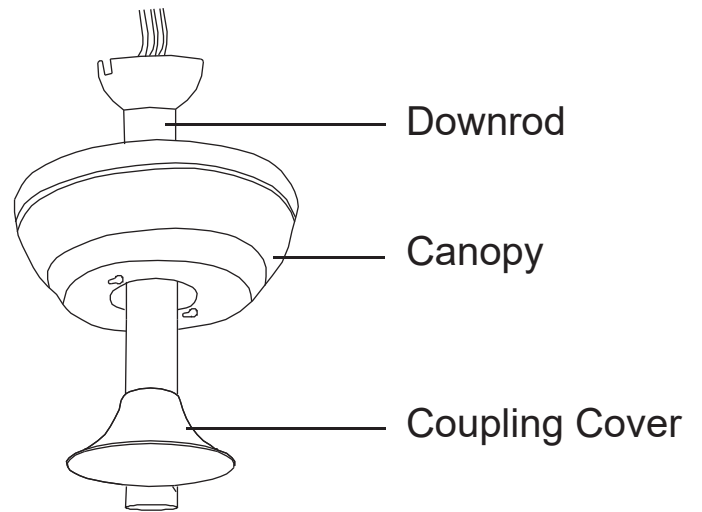


(Fig.3)

NOTE: Hanger after the installation must be able to withstand the weight of 45 kgs or more

FIX THE DOWNROD

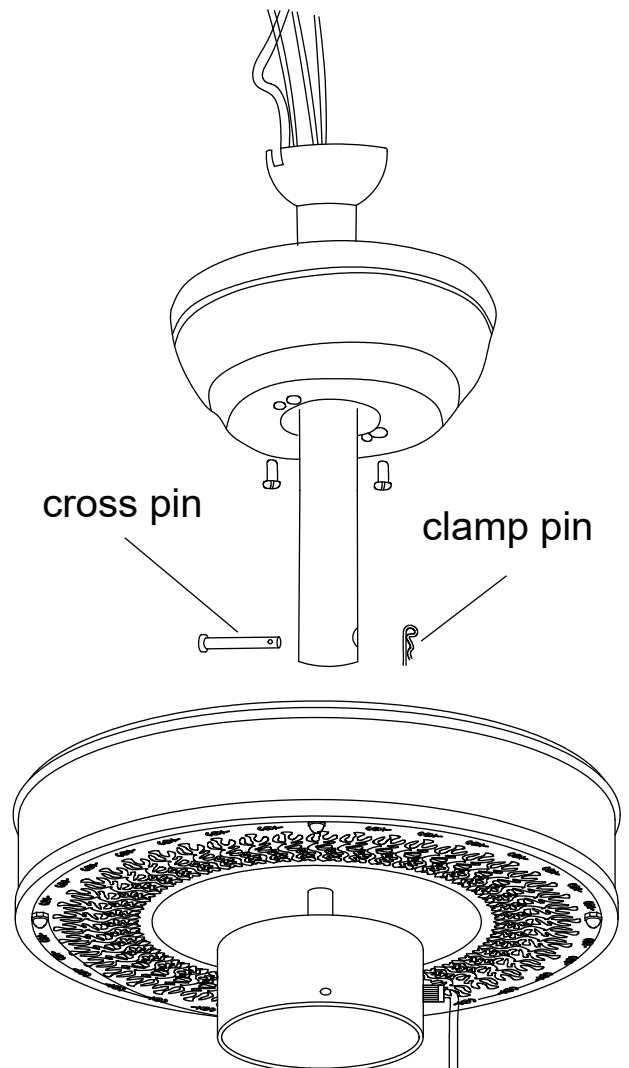
Assemble the canopy and coupling cover to the downrod in turn



CHANGE DOWNROD OPT

The Crystal Ceiling Fan comes with one 4 inches standard downrod which is pre-assembled and attached to the hanger ball, one longer 8 inches downrod is also included for higher ceilings. If you need a different downrod length, please follow these steps:

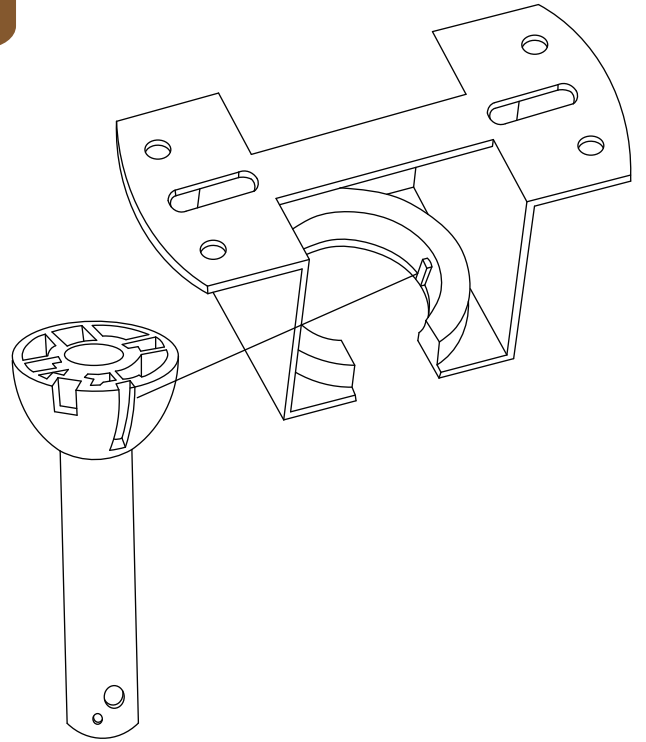
1. Loosen the hanger ball from downrod by removing set screw.
2. Slide downrod ball off of downrod and remove pin.
3. Re-install pin into extended downrod, and slide downrod ball up to the top of the downrod.
4. Re-install set screw to secure ball to downrod



CHANGE DOWNROD (OPT)

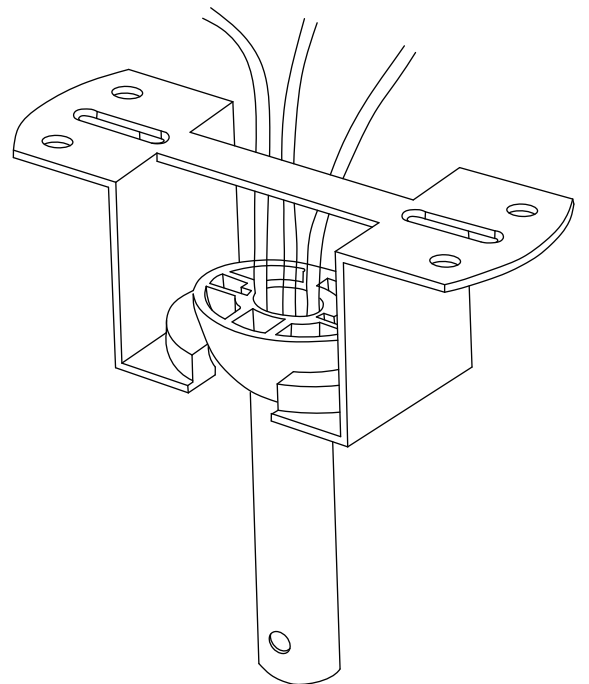
1. Loosen the hanger ball from downrod by removing set screw.
2. Slide downrod ball off of downrod and remove pin.
3. Re-install pin into extended downrod, and slide downrod ball up to the top of the downrod.

Re-install set screw to secure ball to downrod



MOUNTING

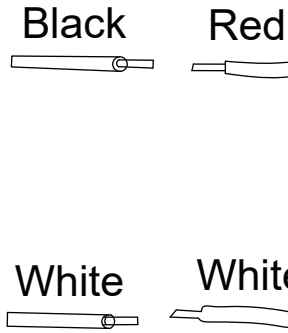
Carefully lift motor assembly and place hanger ball onto hangerbracket. Rotate fan until notch on downrod ball engages the ridge on the mounting bracket. Rod should not rotate if this is done correctly.



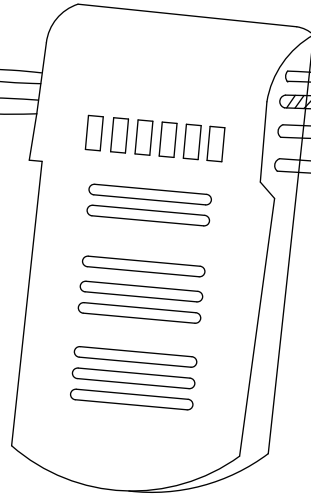
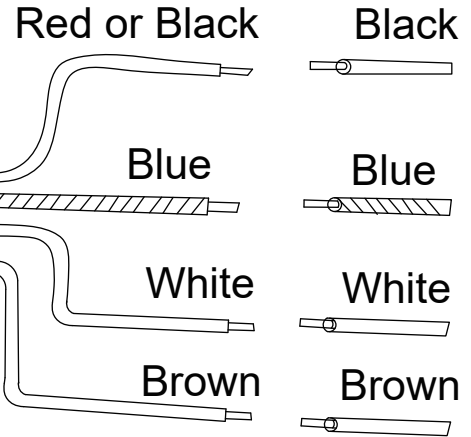
WIRING & INSTALL CANOPY

Make wiring connections from the house and the motor to the remote receiver as shown right. Connect using wire nuts (provided)

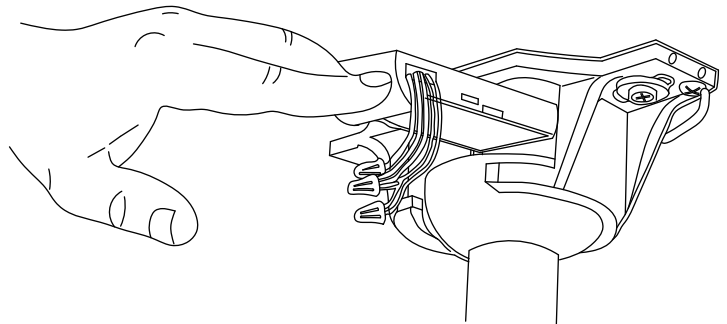
From House



From Fan

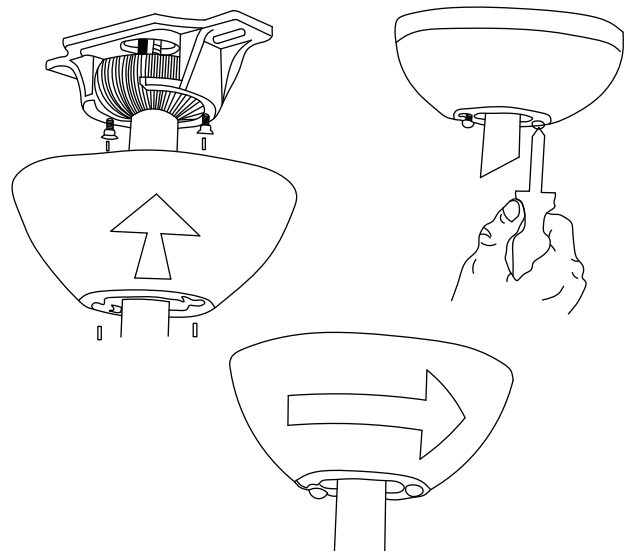


Make wiring connections from the house and the motor to the remote receiver as shown right. Connect using wire nuts (provided)



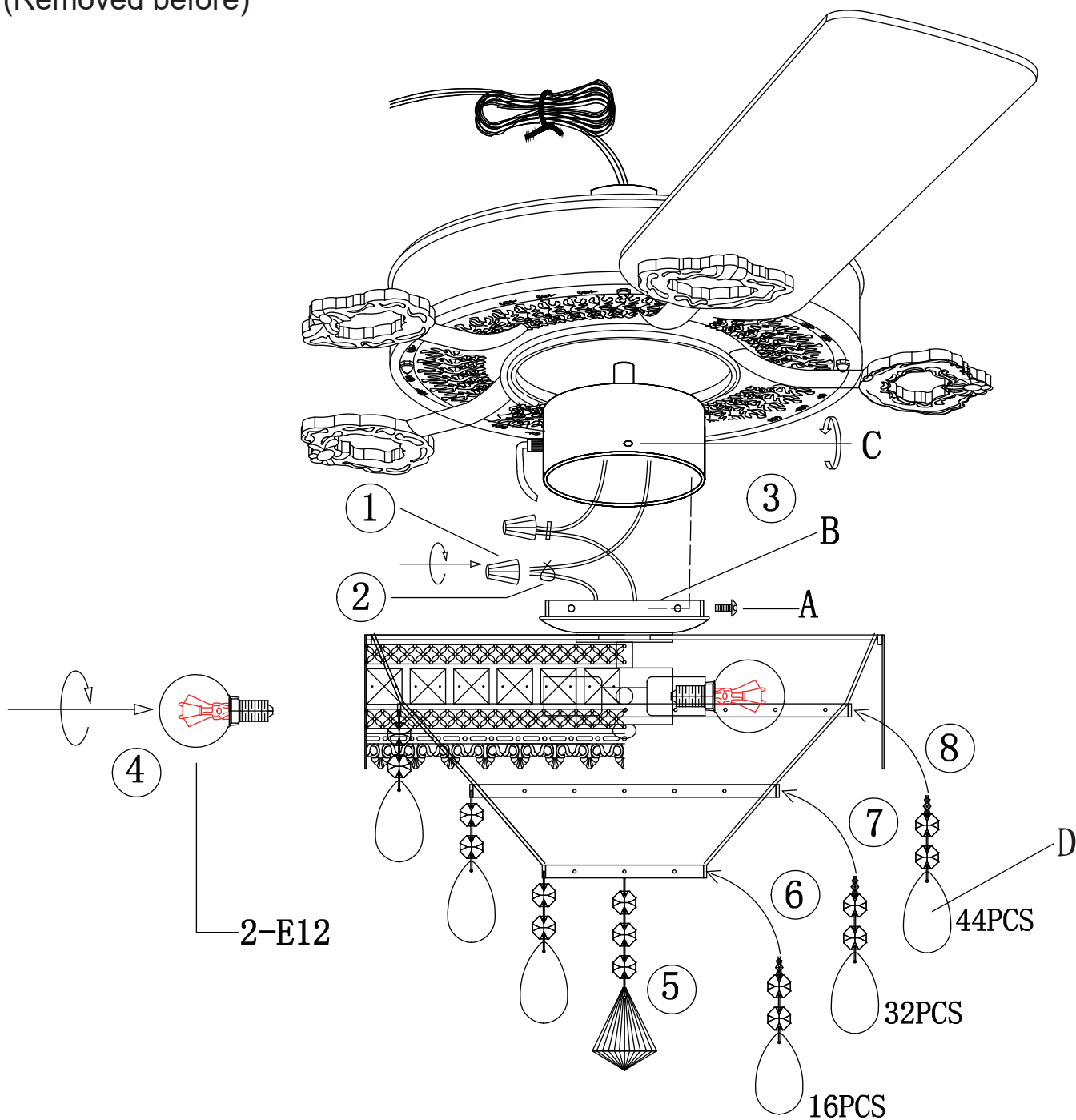
SECURE THE CANOPY

Raise the canopy up and align the keyholes on the bottom of the canopy with the 2 screws on the bottom of mounting bracket. Rotate the canopy until both screws from the mounting bracket drop into the slot recesses. Tighten screws securely!



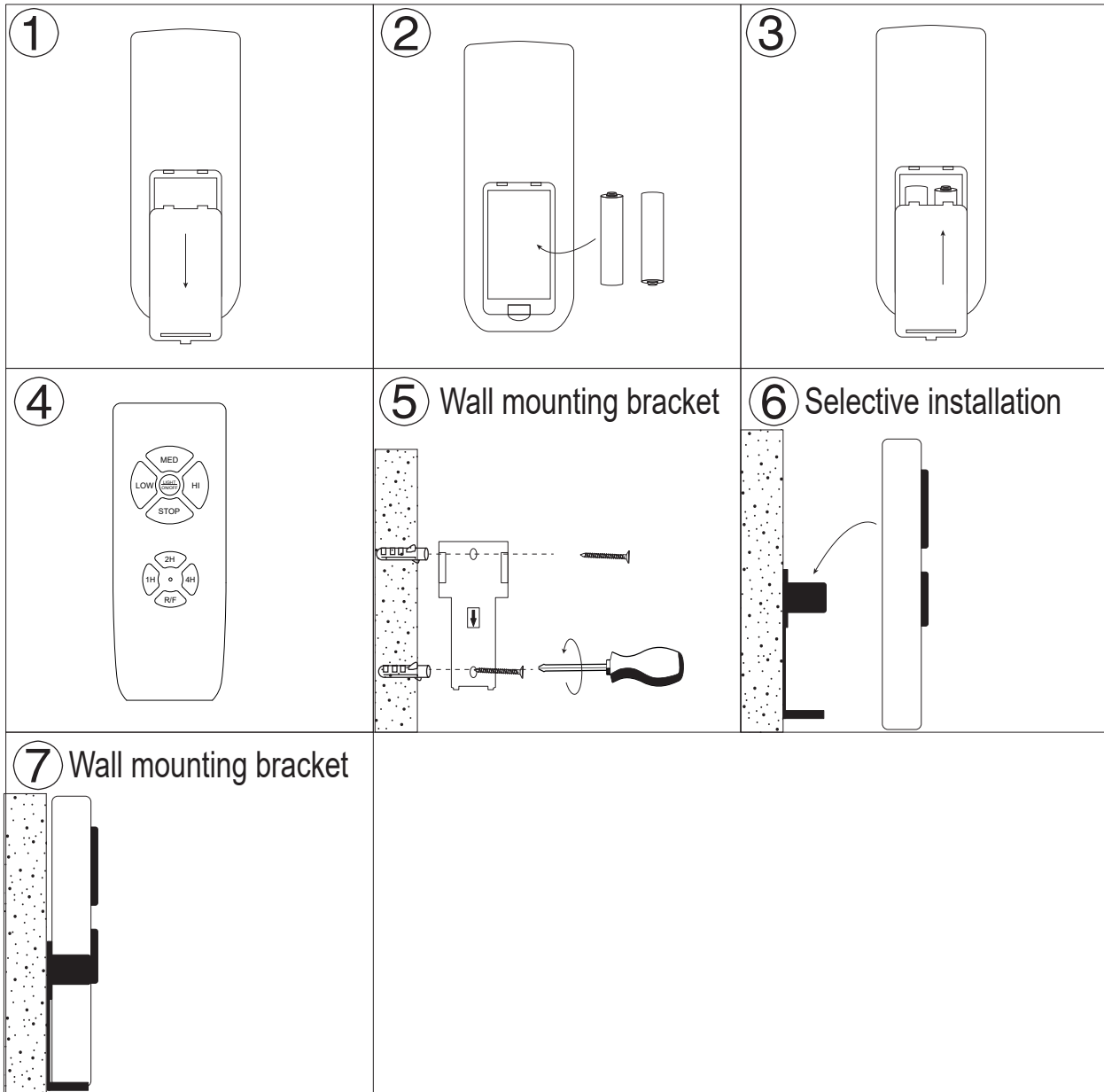
INSTALL THE LIGHTS & SHADE

1. Remove the three screws (A) on the top of lamp shade (B), connect the wires in the light kit assembly to the wires in the switch cup cover (C). Then insert all the wires and connectors into the switch cup cover carefully.
2. Install the crystals (D) to the lamp bases accordingly.
3. Install E12 bulbs to the lamp bases, and ensure they are tightened enough to the bases. (Bulbs not included)
4. Then, align the three holes on the top of the lampshade with the three holes on the switch cup cover, and secure them with the three screws. (Removed before)



REMOTE CONTROL (EMITTER) OPERATION

Please click the picture below to install the remote control battery. Select whether to install a remote control wall mount



This remote is pre-programmed from the factory and should work right out of the box once the battery is installed. Should, for any reason, reprogramming be needed, please follow the syncing process as follows

SYNCING INSTRUCTIONS: Turn off the main power, then turn it back on. Within 30 seconds.- press and hold the high and low speed buttons on the remote at the same time for 5 seconds. The LED indicator will flash 3 times, signaling a successful synchronization. Once complete, the fan will start on the low speed with the light (if applicable) off.

ATTENTION! Do NOT use this fan with a dimmer switch or variable speed wall control. Using a dimmer switch or variable speed wall control will damage the fan.

BALANCING FAN/WOBLING TROUBLE SHOOTING

Please note that all ceiling fans are not the same, even in the same model—some may move more or less than others.

Movement of a couple of centimeters is quite acceptable and does not suggest the fan will fall down.

Even though all blades are weighted and grouped by weight, it is impossible to eliminate wobble altogether. This should not be considered a fault. Ceiling fans tend to move during operation due to the fact that they are not generally rigidly mounted.

TRY THE FOLLOWING TO REDUCE A WOBLING FAN

1. Check that all of the blade mounting screws are tightened and secure.
2. Wobbling problems may result from inconsistent blade level. To check the blade level, measure the distance from each blade tip to the ceiling. Note: If measurements are inconsistent:
 - Be sure the blade mount screws are not too tight or too loose, which may cause wobbling due to an unlevel blade tip
 - An out of shape blade can cause wobbling. Check by removing the blade and placing on a flat surface.
3. Blade tracking may be checked simply by use of a household ruler. Place the ruler vertically against the ceiling and even with the outside leading edge of a blade. Note the distance of the edge of a blade compared to the others. Turn the blade slowly by hand to check the remaining blades.

If a blade is not in alignment, the blade is either out of shape, warped or the blade screws are not evenly tighten or either loose.

BALANCING KIT

A Balancing Kit has been provided to assist with reducing a wobble. Please retain the kit as it may become useful should the fan develop a wobble in the future.

Step 1. Clamp the balance clip to the middle position marked A of any fan blade.

Turn on the fan and check if the vibration of the fan blades is reduced. Proceed to step 3 if the shaking is reduced. If shaking increases go to step 2.

Step 2. Take out the balance clip, clip it to the middle mark B of the clockwise adjacent blades, and so on until you find the fan blade that can reduce the shaking.

Step 3. When we found the fan blade that can reduce the shaking. Move the balance clip on the fan blade towards the center or edge and turn on the fan to see if the wobble is reduced. If the balance clip cannot fully counteract the shaking of the fan blade at the center or edge position, you can add an additional balance clip near the center or edge position for adjustment.

Step 4. When the fan blade no longer shakes, use a balance patch to stick to the position where the clip on the back of the fan blade is clamped to replace the balance clip. (1 balance patch instead of 1 balance clip)

Step 5. The adjustment is complete.