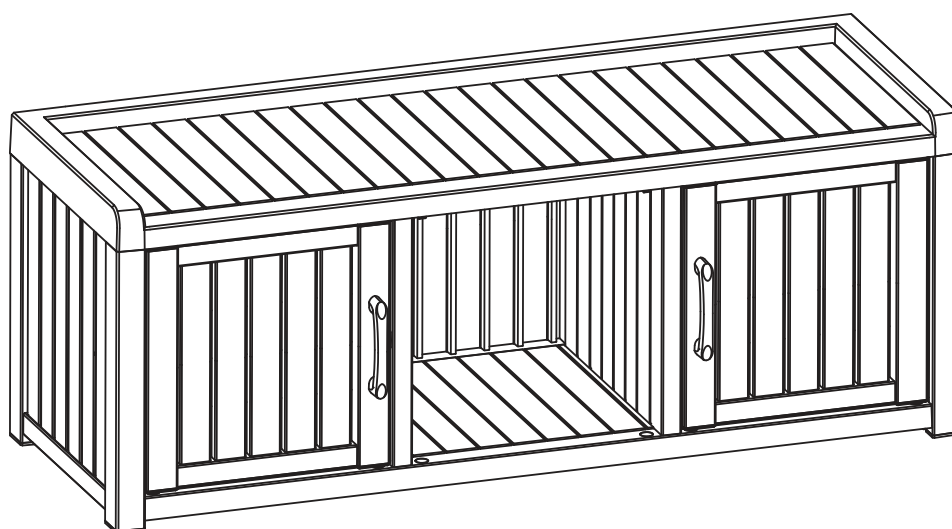


ASSEMBLE INSTRUCTIONS



**Please note: After assembly, it cannot be disassembled.
Please confirm that the goods are satisfactory before
assembling. After assembly, it cannot be returned**

IMPORTANT

Once installed, the product cannot be detached. Strictly follow each step in the installation manual.

- Gather and organize all required parts prior to assembly. If you have any problems or discover any missing parts, please contact customer service.
- Some parts may contain sharp edges. Wear protective gloves if necessary during assembly.

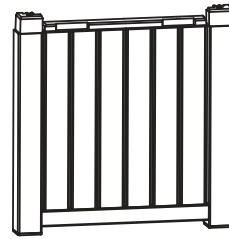
CARE & SAFETY

- Assemble on a flat, clean and soft surface.
- In case of fire, do not attempt to extinguish any burning polypropylene with water.
- Wear safety-goggles and always follow the manufacturer's instructions when using power tools.
- During installation, please refer to the accessories guide to ensure that they are installed in the correct directions.
- Do not stand on the lid.

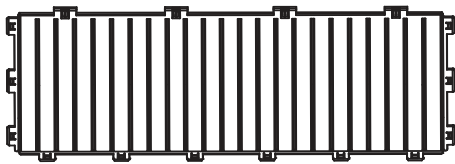
PARTS LIST



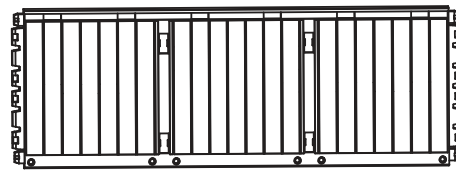
A(X2)



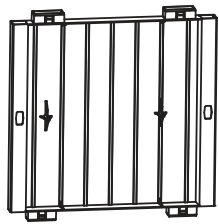
B(X2)



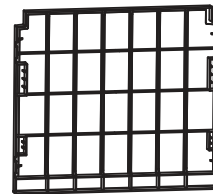
C(X1)



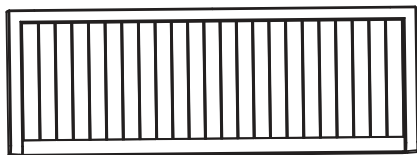
D(X1)



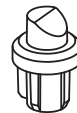
E(X2)



F(X2)



J(X1)



(X4)



(X2)





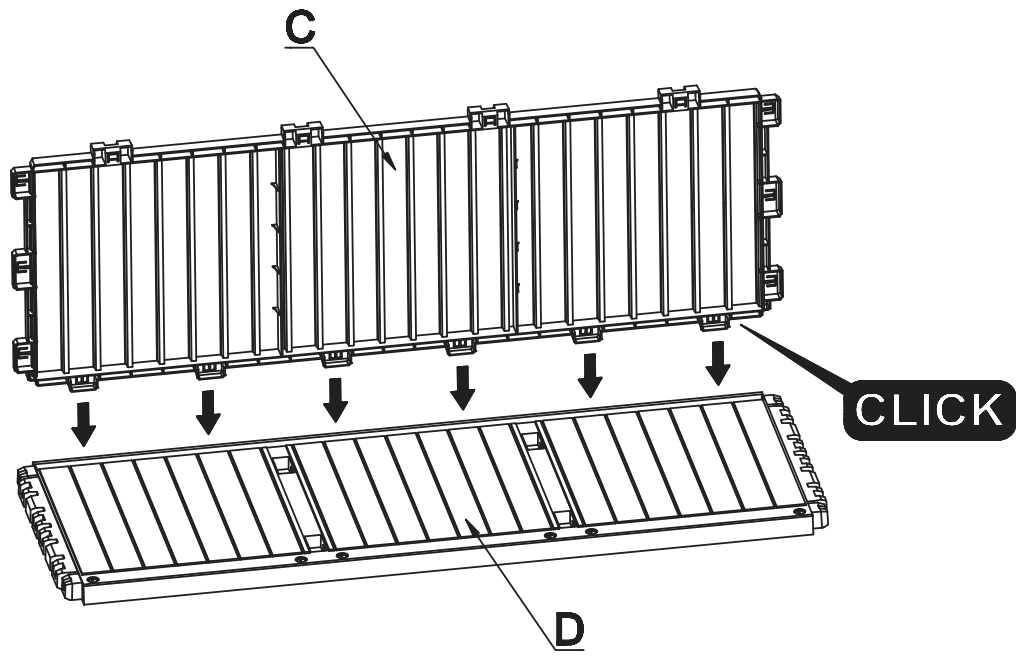
(X2)



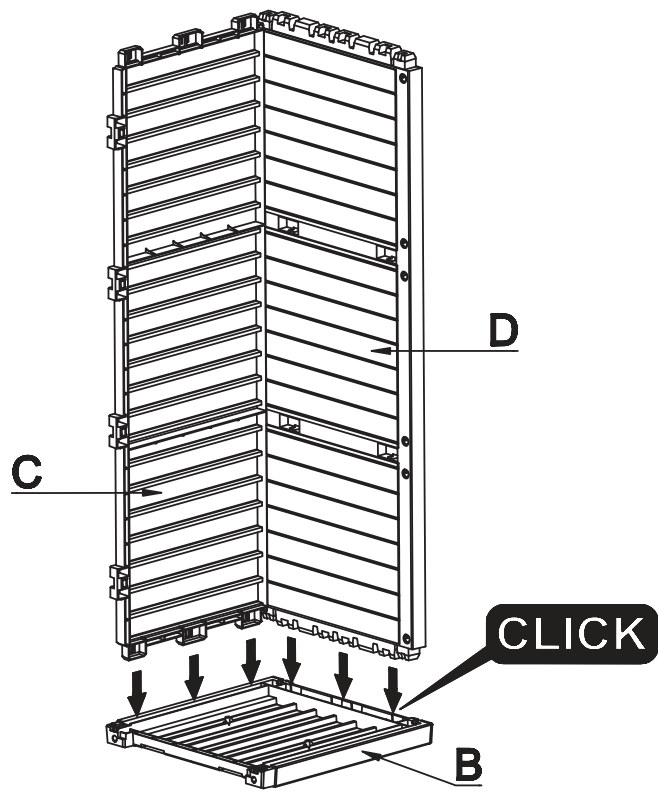
M4x19mm

(X4)

1  C(X1)  D(X1)

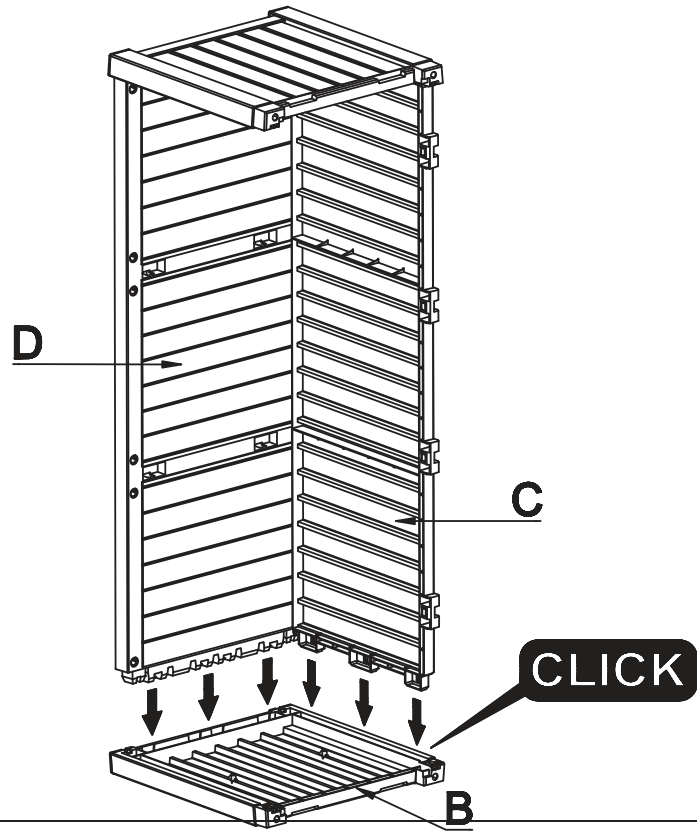


2  B(X1)

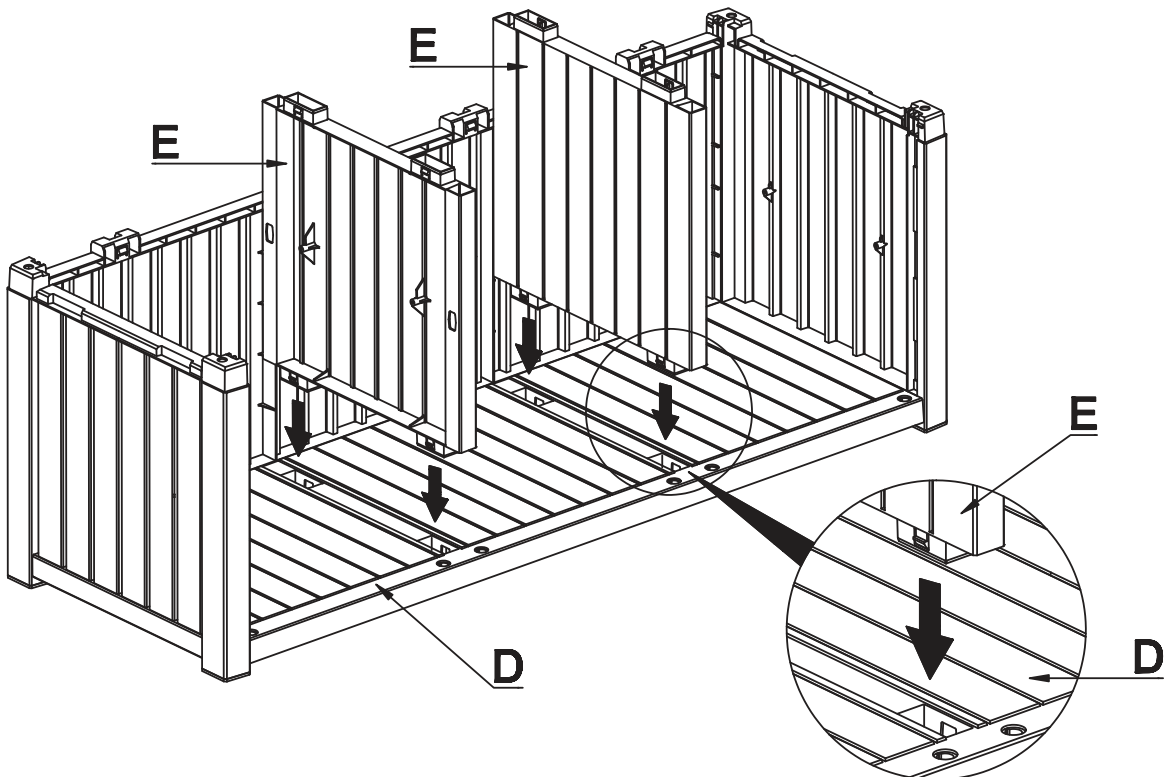


3

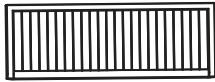
3  B(X1)



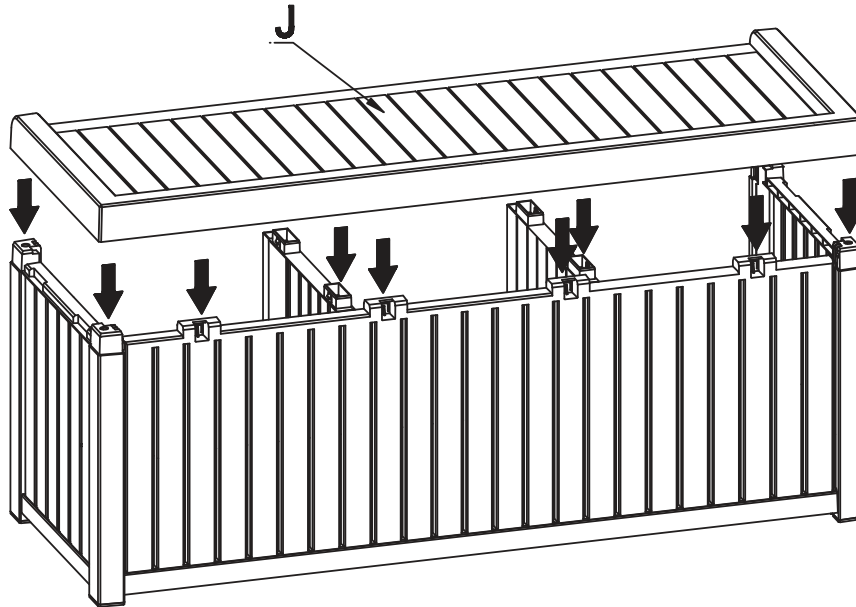
4  E(X2)



5



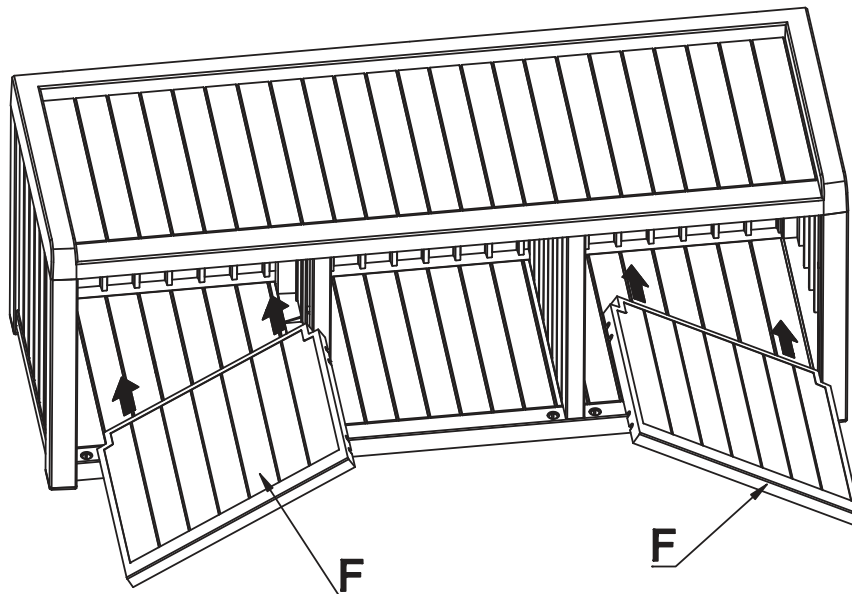
J(X1)



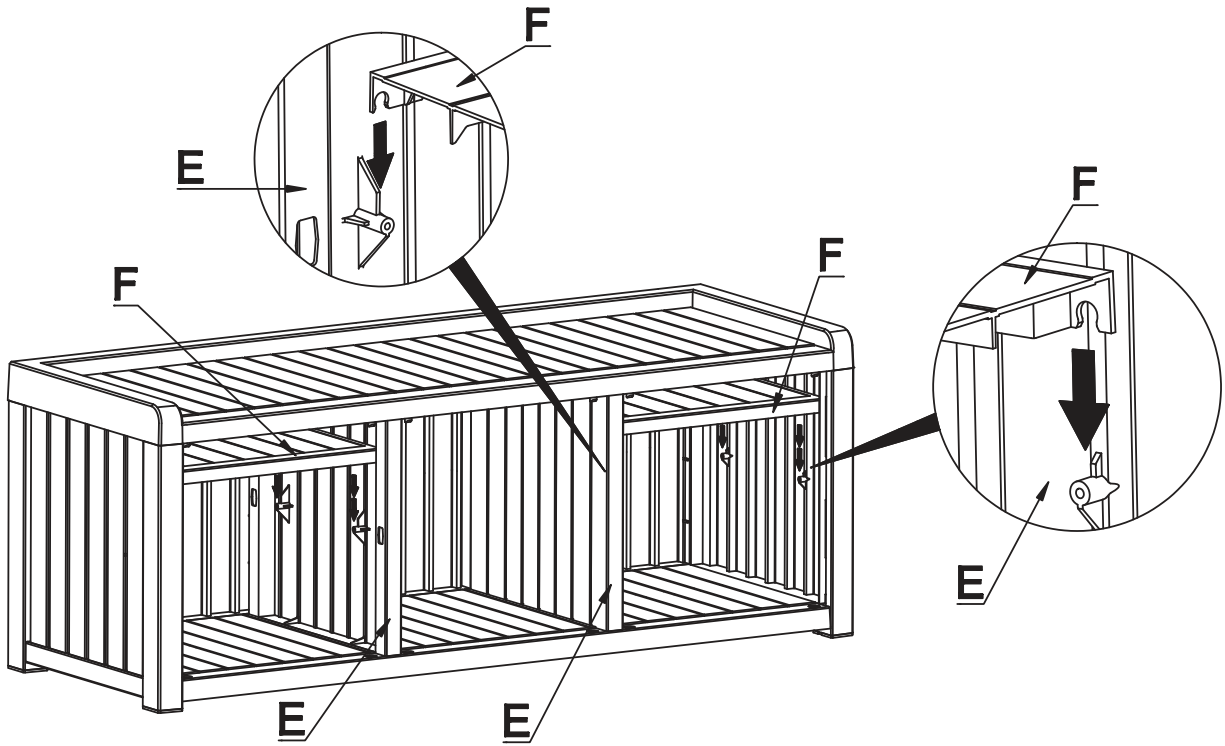
6



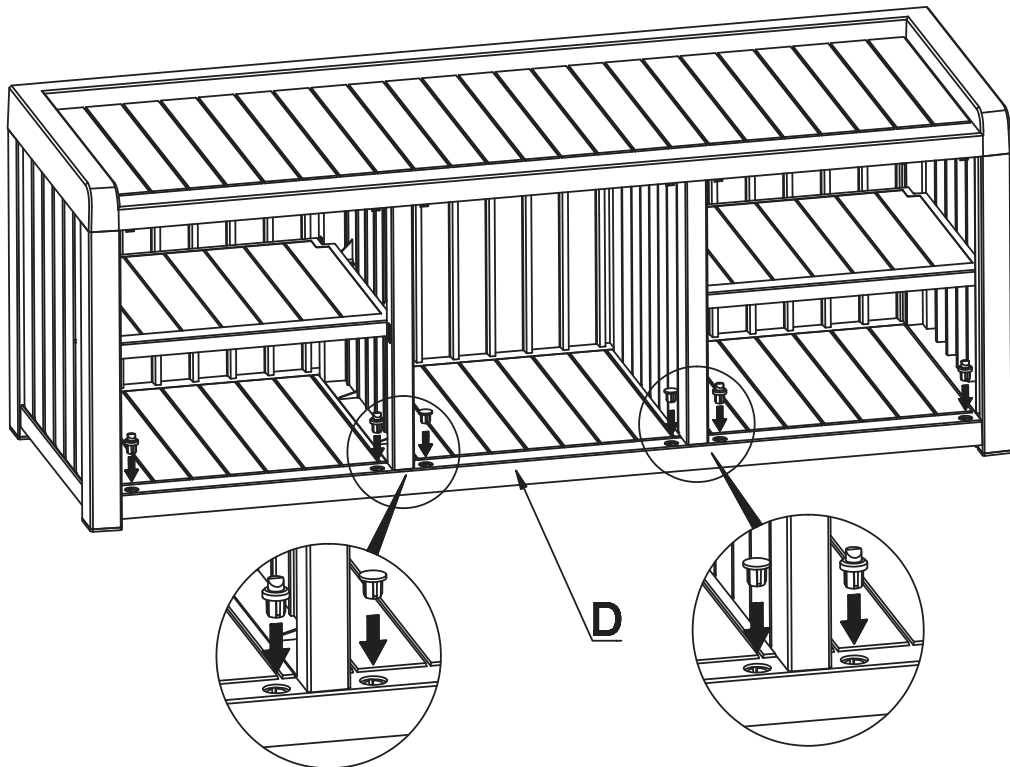
F(X2)



7



8  (X4)  (X2)



6

9



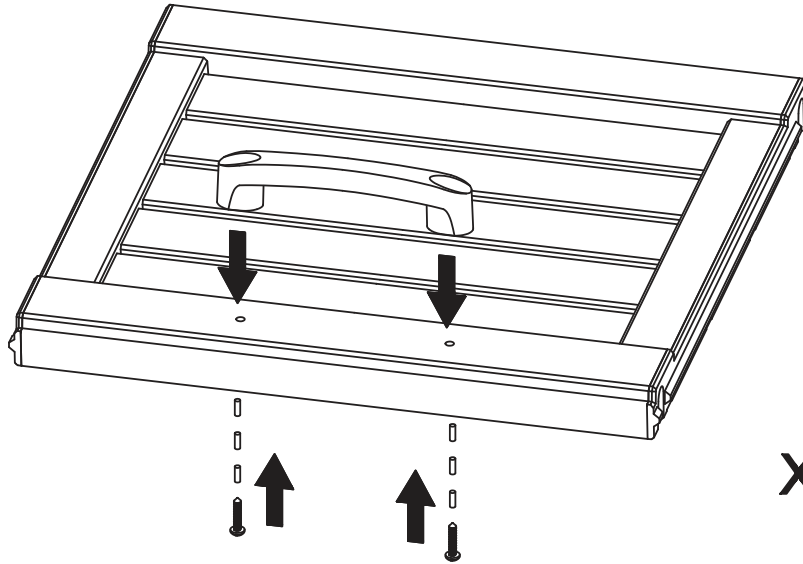
A(X2)



(X2)



M4x19mm
(X4)

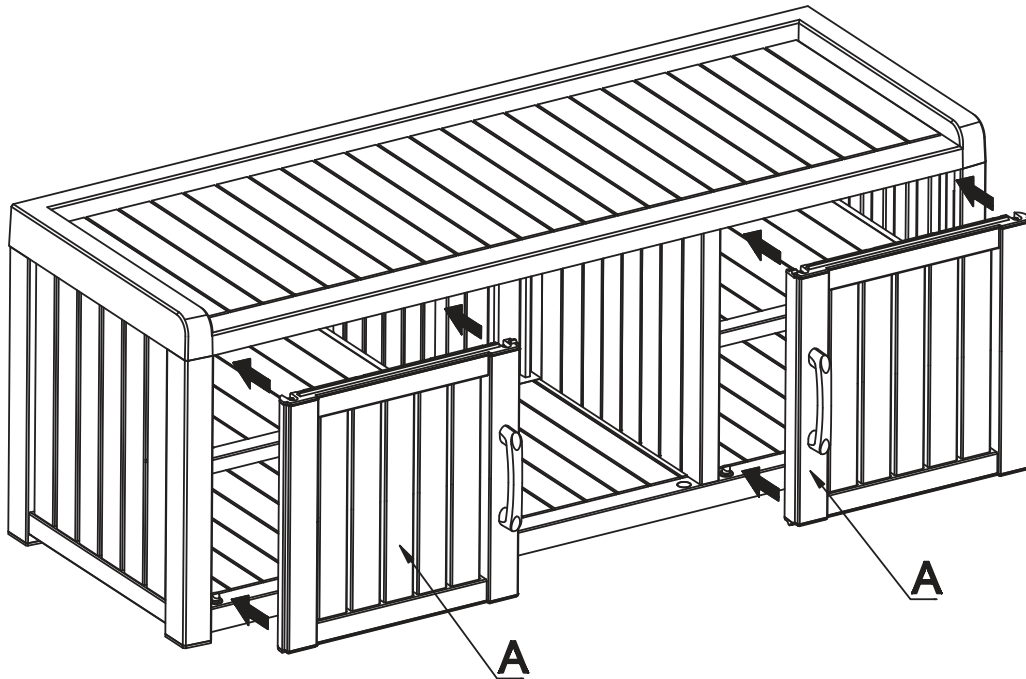


X2

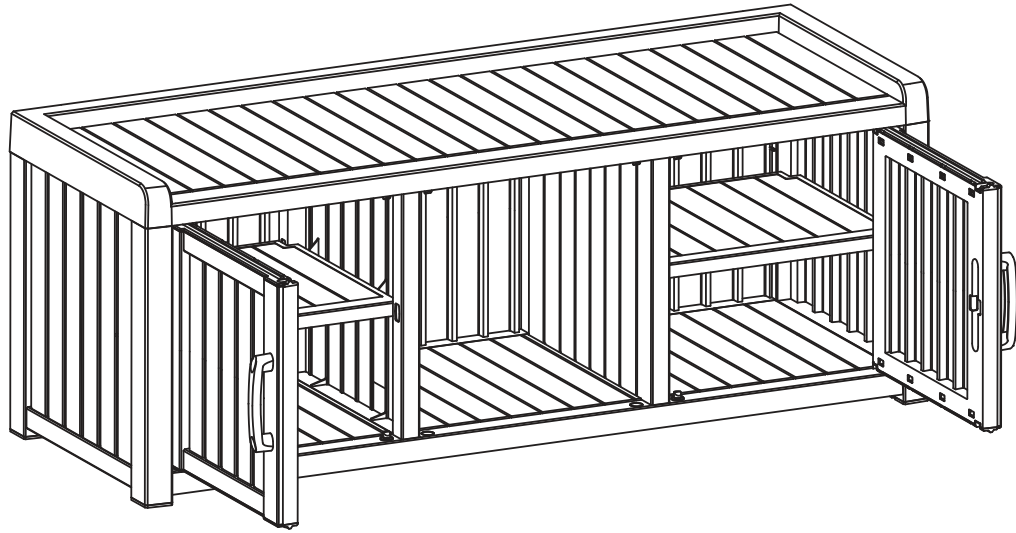
10



A(X2)



11



12

