

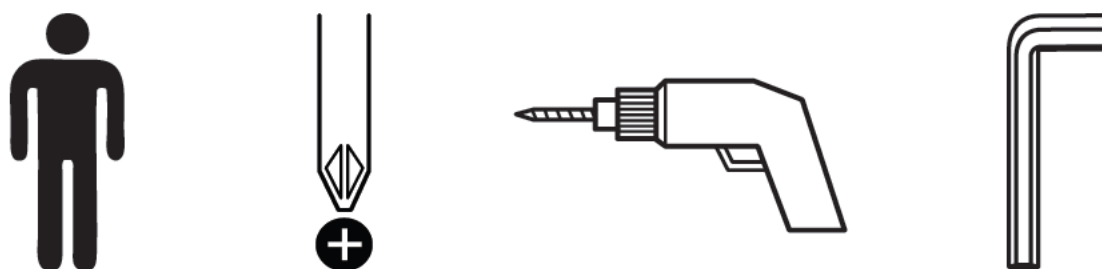


**Thank you for purchasing this desk. Please read the instructions carefully before use to ensure safe and satisfactory operation of this product.**

### **Pre-assembly preparation**

Please ensure instructions are read in full before attempting to assemble this product

### **Necessary Tools**



Note: Some of the tools shown here are optional and are required only for quick assembly of this product

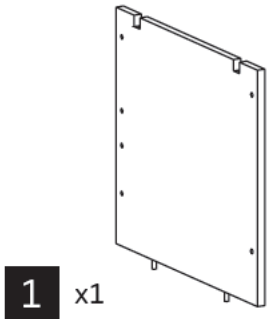
Please check the pack contents before attempting to assemble this product. A full checklist of components is given in this leaflet. If any components are missing, please contact the retailer from whom you bought this product.

This product is **HEAVY**, it should be assembled as near as possible to the point of use. **TAKE CARE WHEN LIFTING** to avoid personal injury and (or) damage to the product.

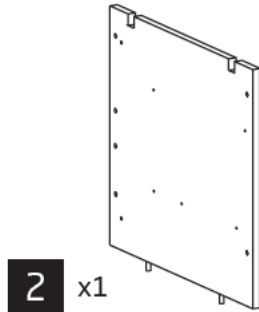
This product takes approximately **45 MINUTES** to assemble with **2 PEOPLE**.

The fittings pack contains **SMALL ITEMS** which should be **KEPT AWAY FROM YOUNG CHILDREN**.

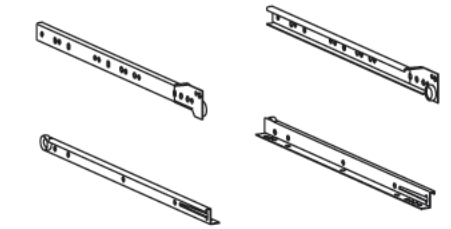
Read this leaflet in full before commencing assembly.



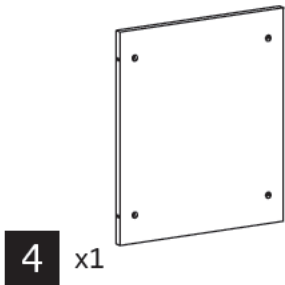
**1** x1



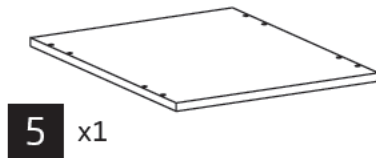
**2** x1



**3** 1 x Left set / 1 x Right set



**4** x1



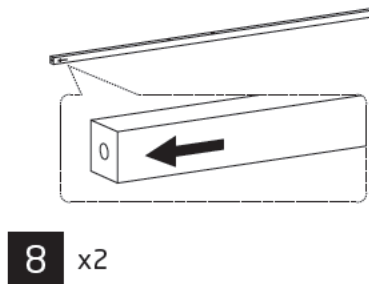
**5** x1



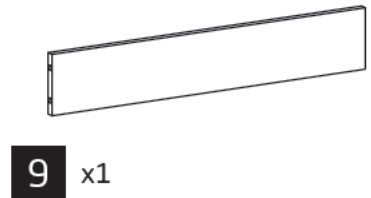
**6** x1



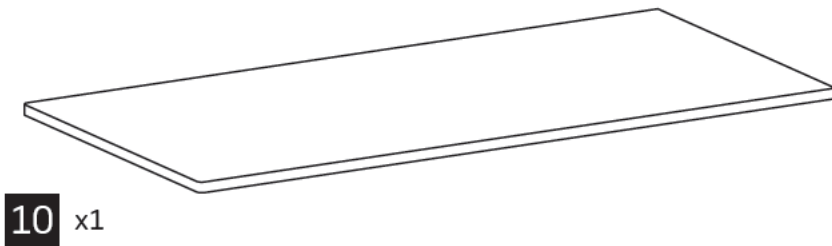
**7** x1



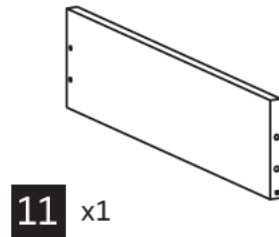
**8** x2



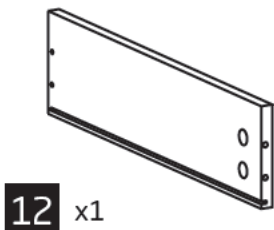
**9** x1



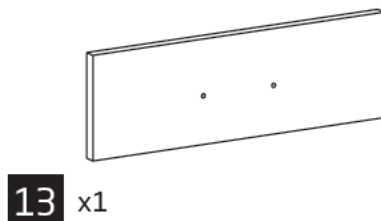
**10** x1



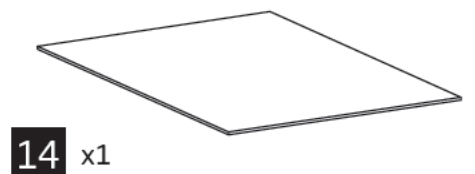
**11** x1



**12** x1



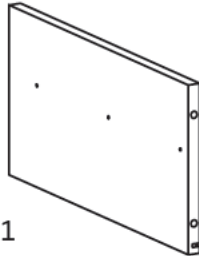
**13** x1



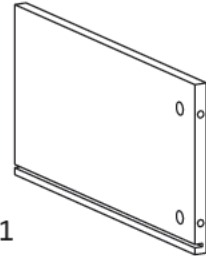
**14** x1



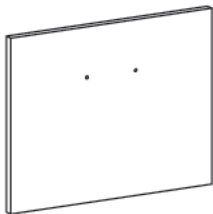
15 x1



16 x1



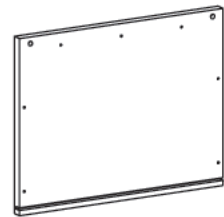
17 x1



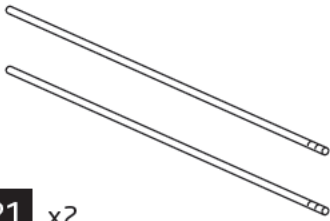
18 x1



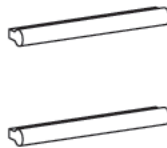
19 x1



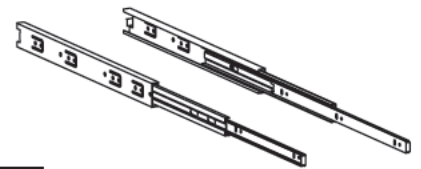
20 x1



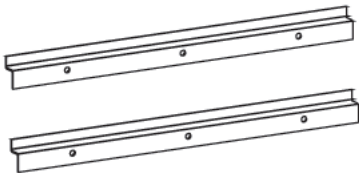
21 x2



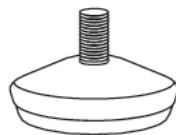
22 x2



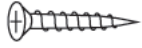
23 1 x Left set / 1 x Right set



24 x2



25 x4



**A** x26 (3x15mm)



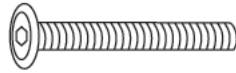
**B** x12 (6x40mm)



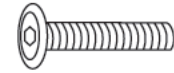
**C** x4 (5x40mm)



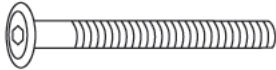
**D** x4 (4x20mm)



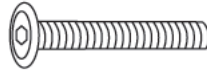
**E** x4 (6x50mm)



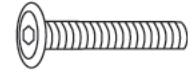
**F** x4 (6x25mm)



**G** x2 (6x65mm)



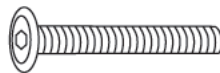
**H** x2 (6x40mm)



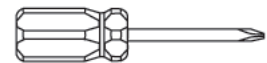
**I** x6 (6x30mm)



**J** x8 (4x30mm)



**K** x2 (6x45mm)

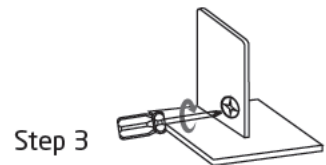
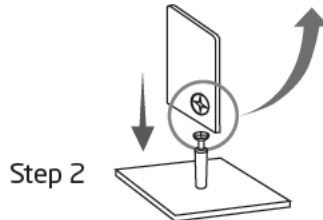
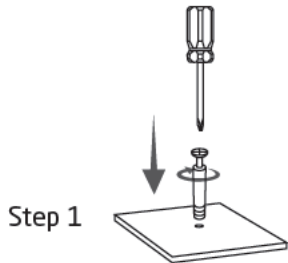
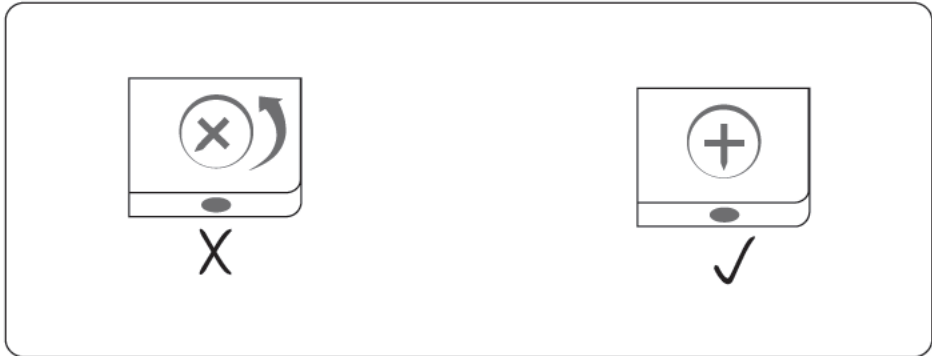
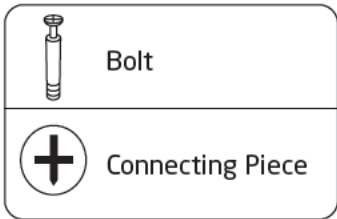


**L** x1

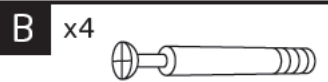
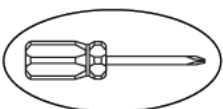
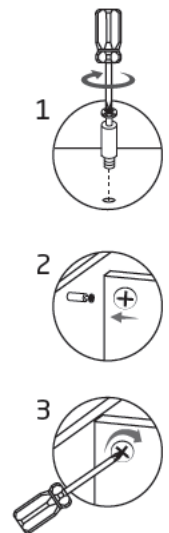
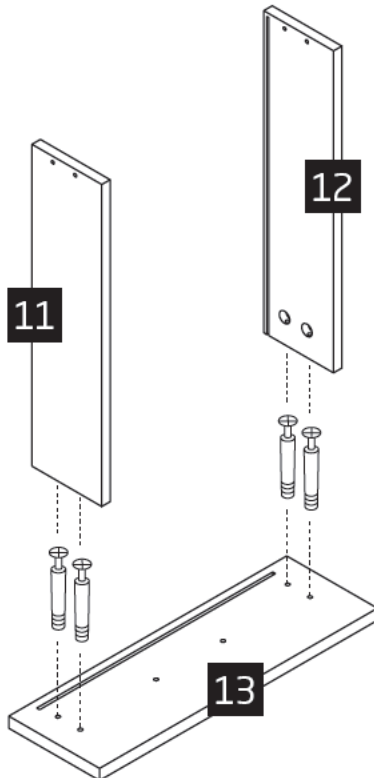


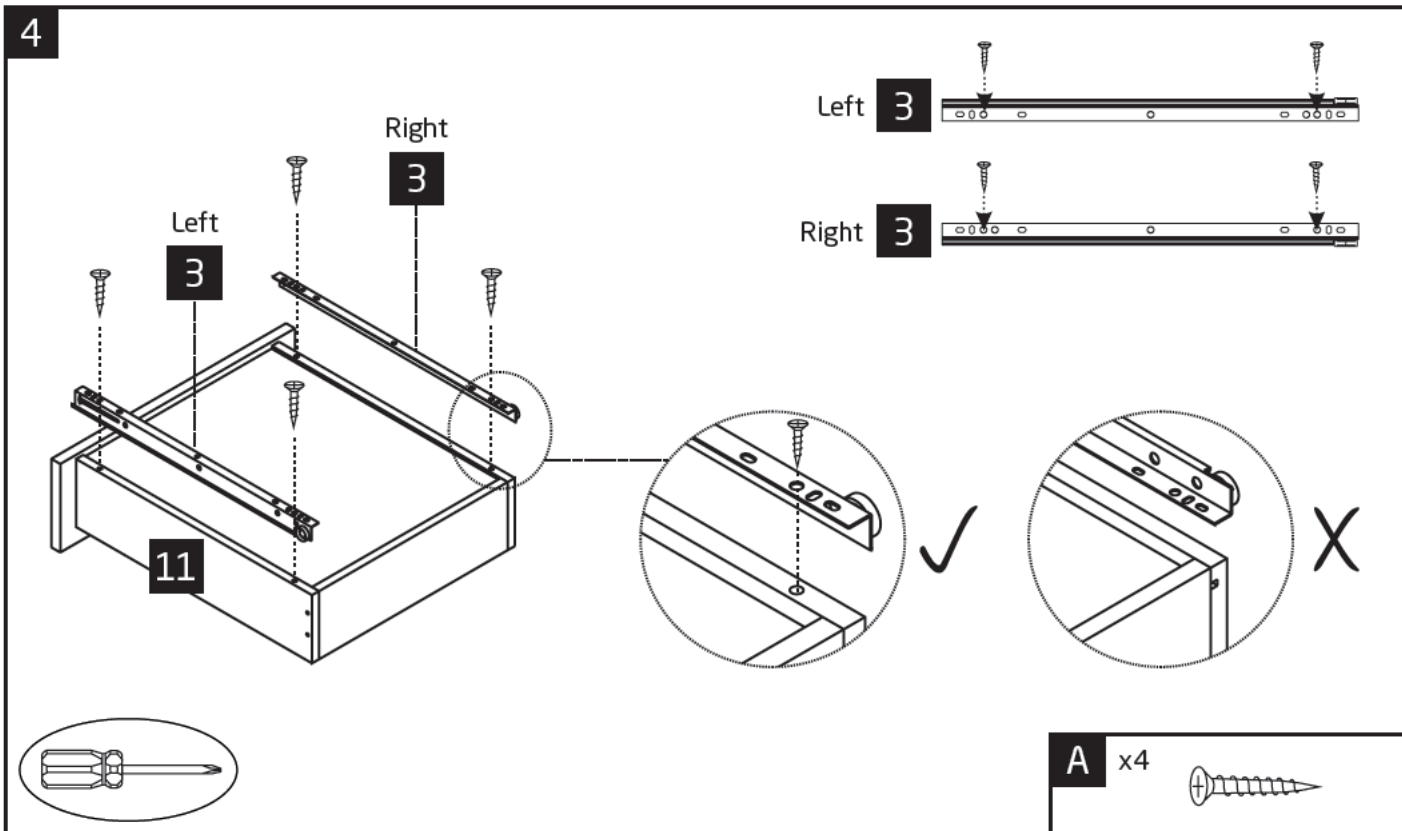
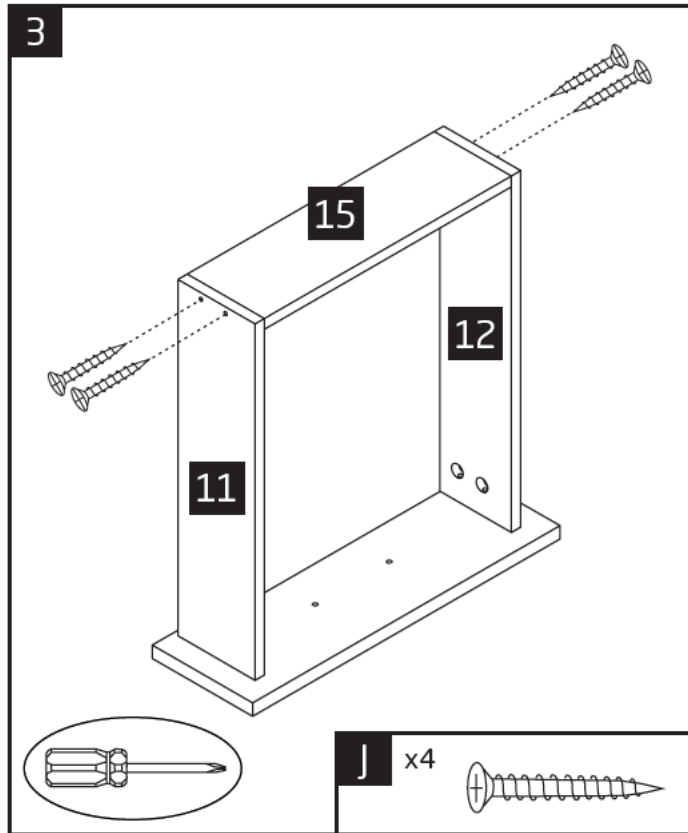
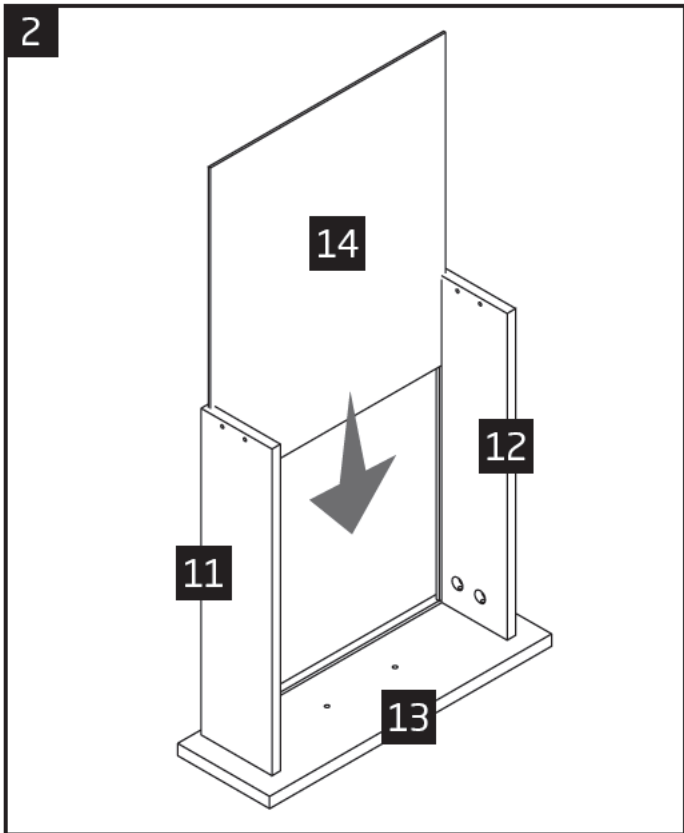
**M** x1

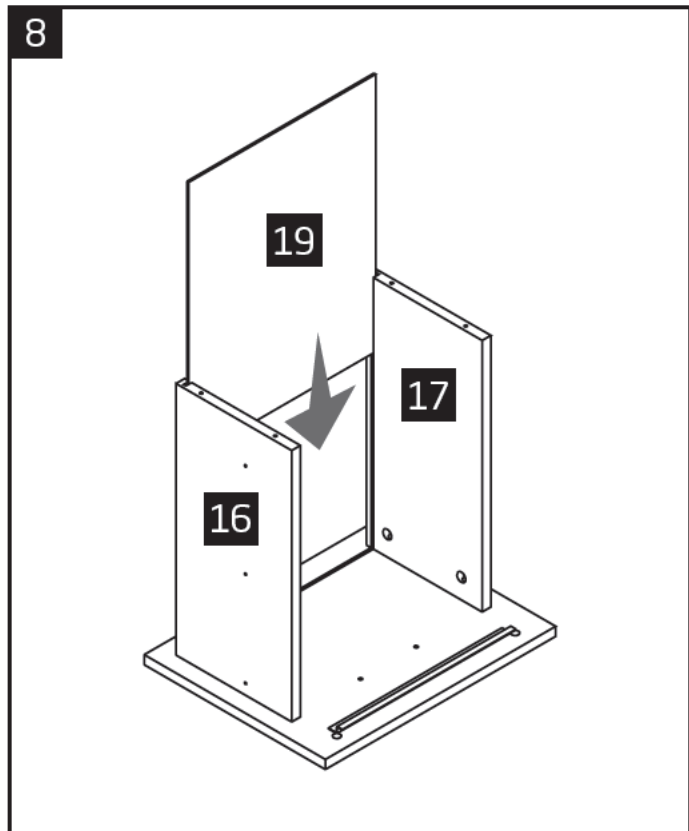
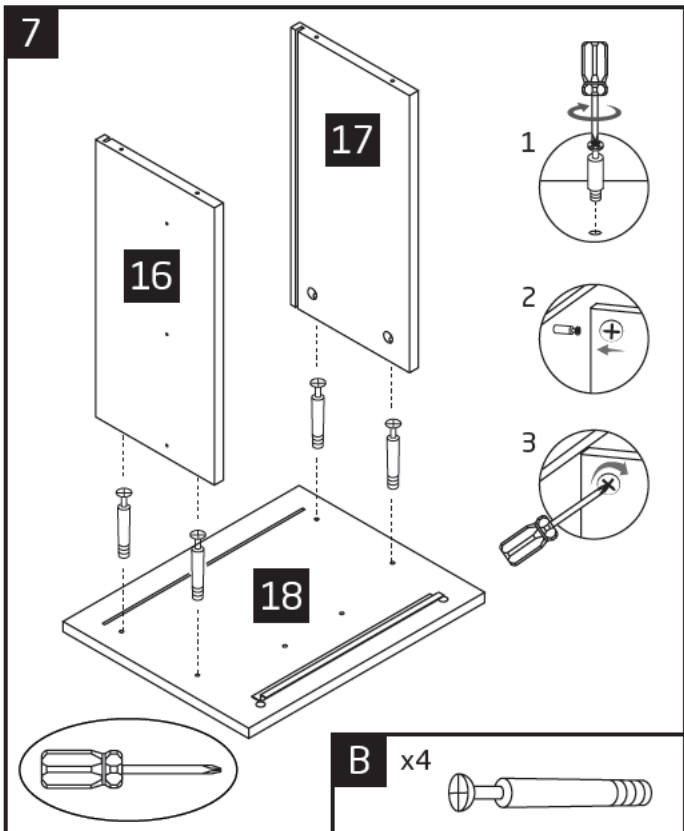
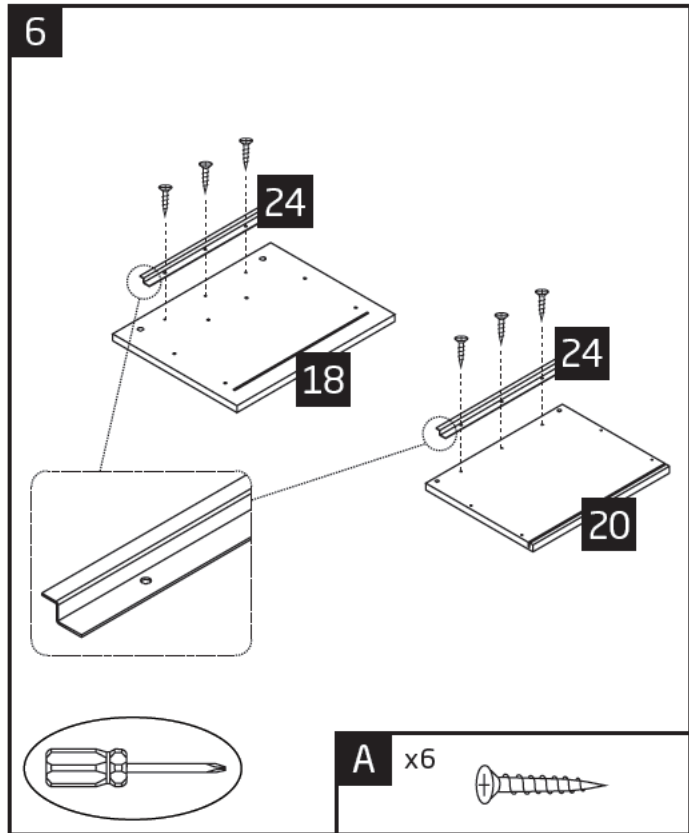
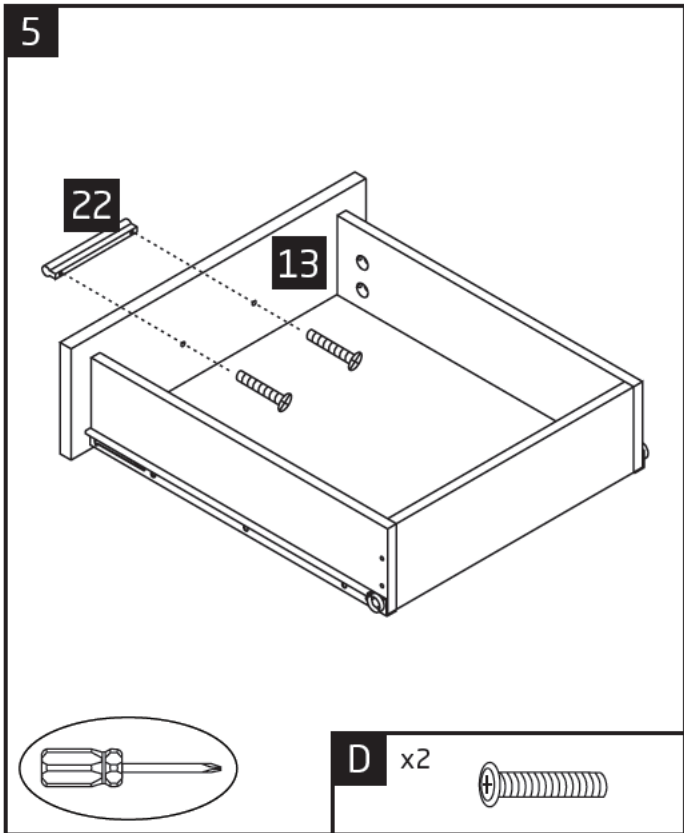
### 6x40MM bolt installation



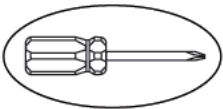
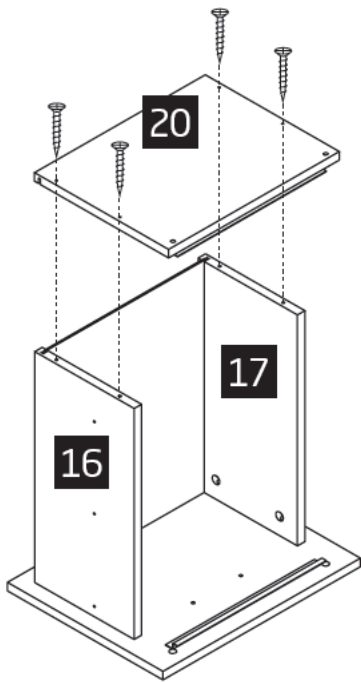
1



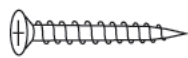




9



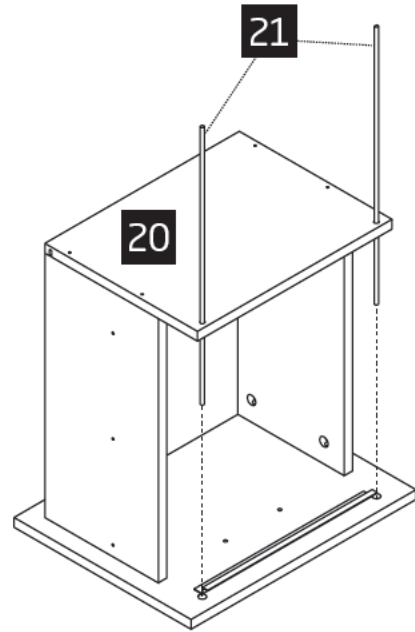
J x4



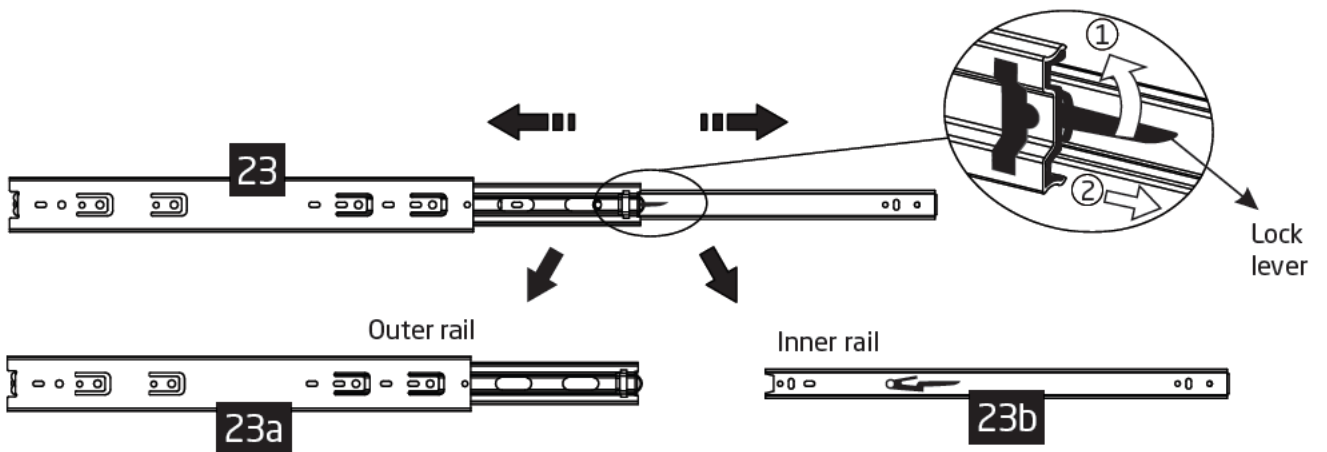
10



Be careful not to overtighten the metal rods

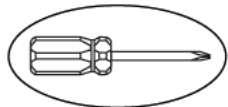
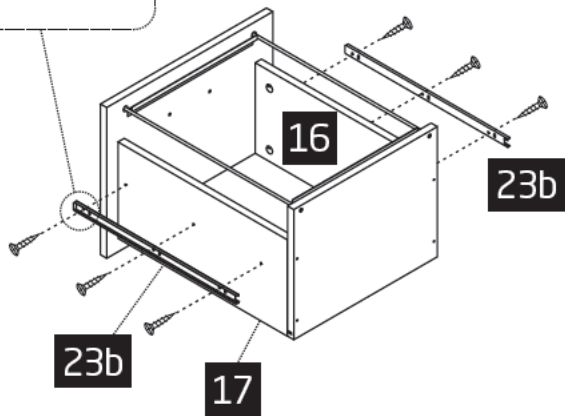
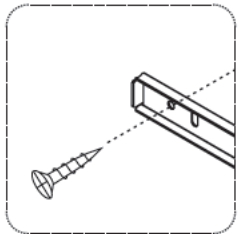


11



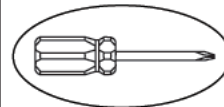
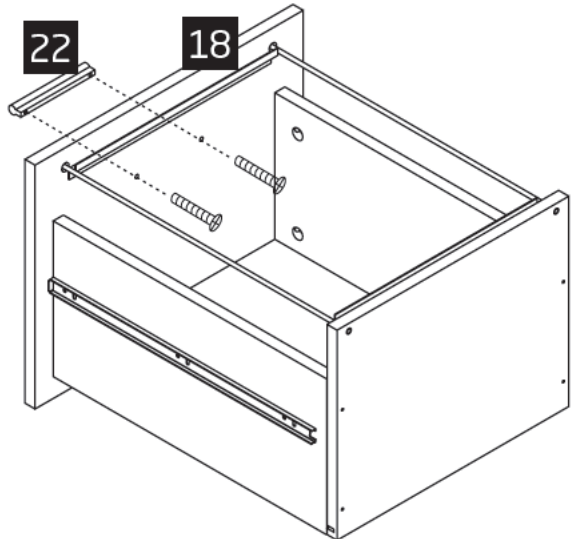
Move the lock lever on the inner rail as shown and separate the outer rail **23a** and inner rail **23b** from the two file drawer sides.

12



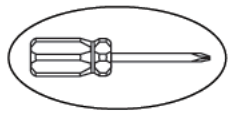
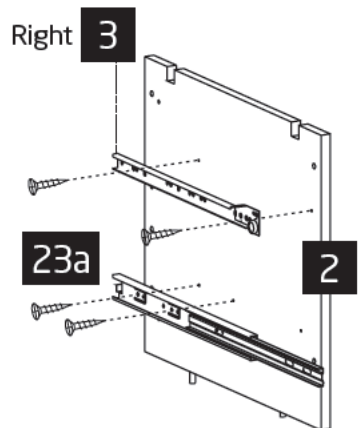
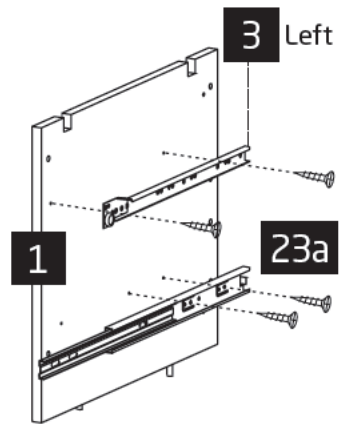
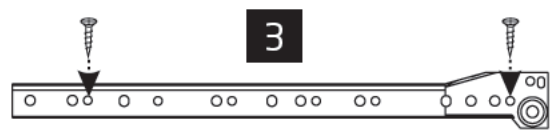
**A** x6

13



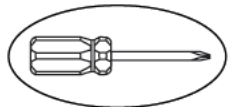
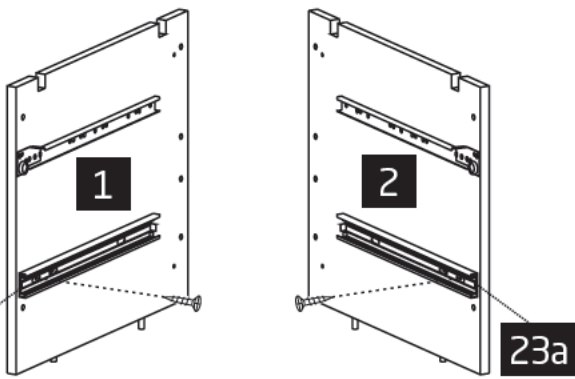
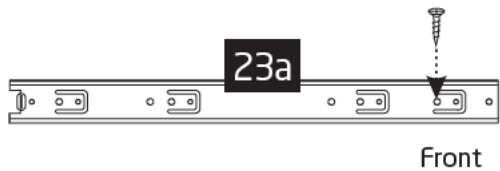
**D** x2

14



**A** x8

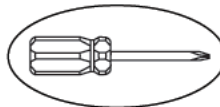
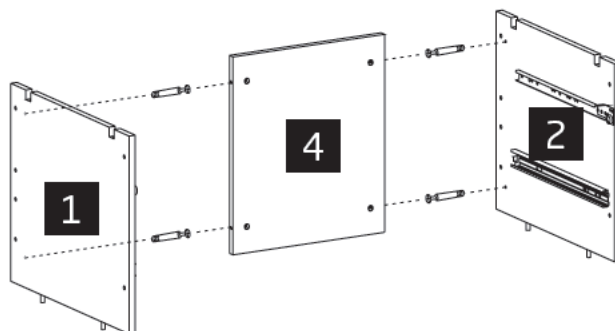
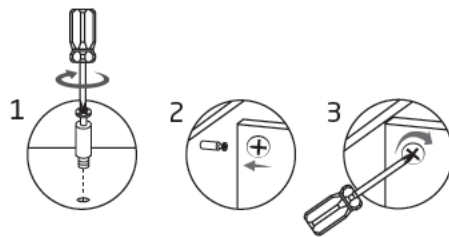
15



A x2



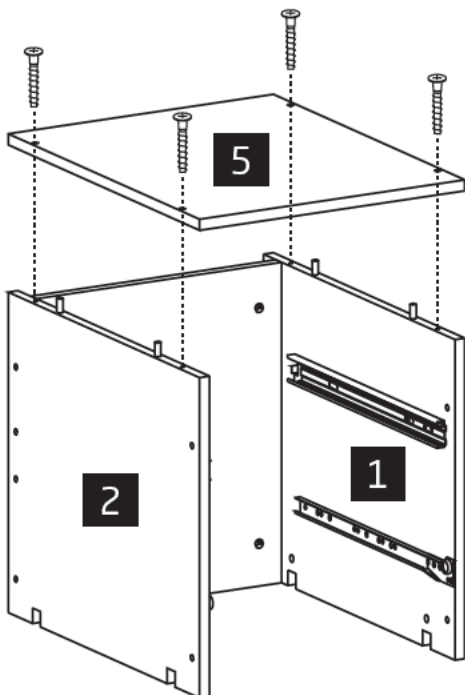
16



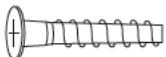
B x4



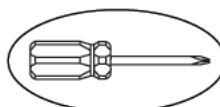
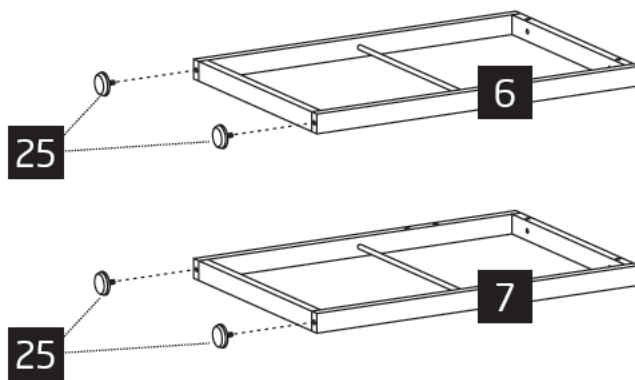
17



C x4



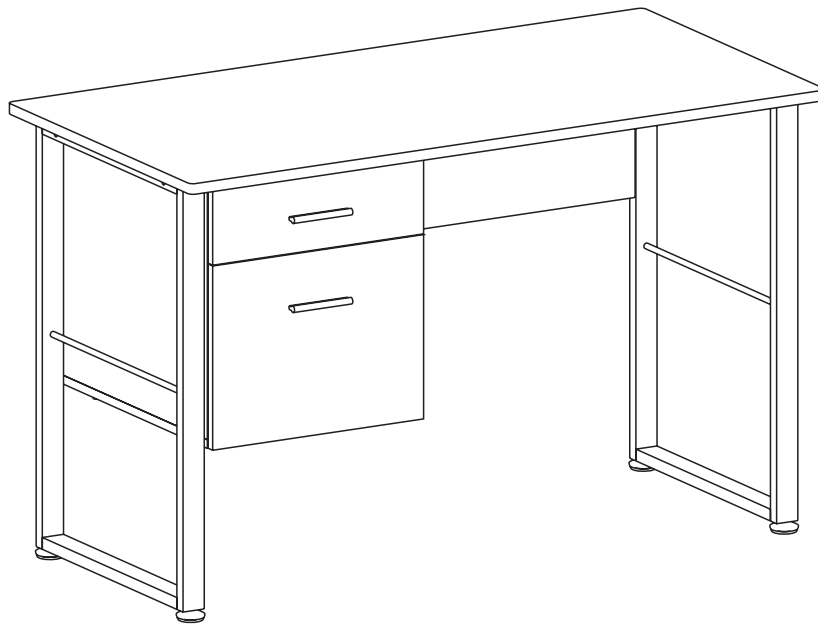
18



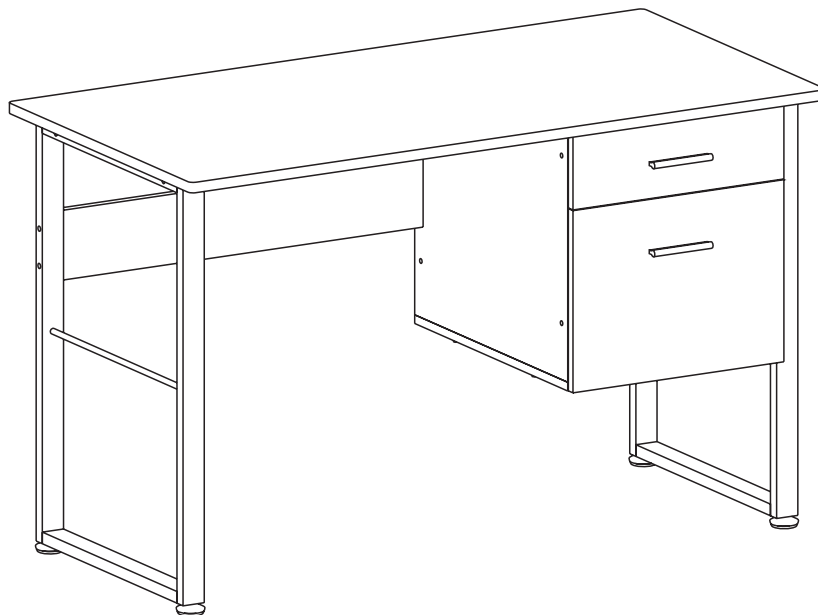
There are two options for the assembly of the Cabrini desk. You can choose to assemble the desk with the drawers on the left or the right as shown below.

Please select your preferred option and follow either steps A1 to A8 or steps B1 to B8 in order to complete the desk assembly.

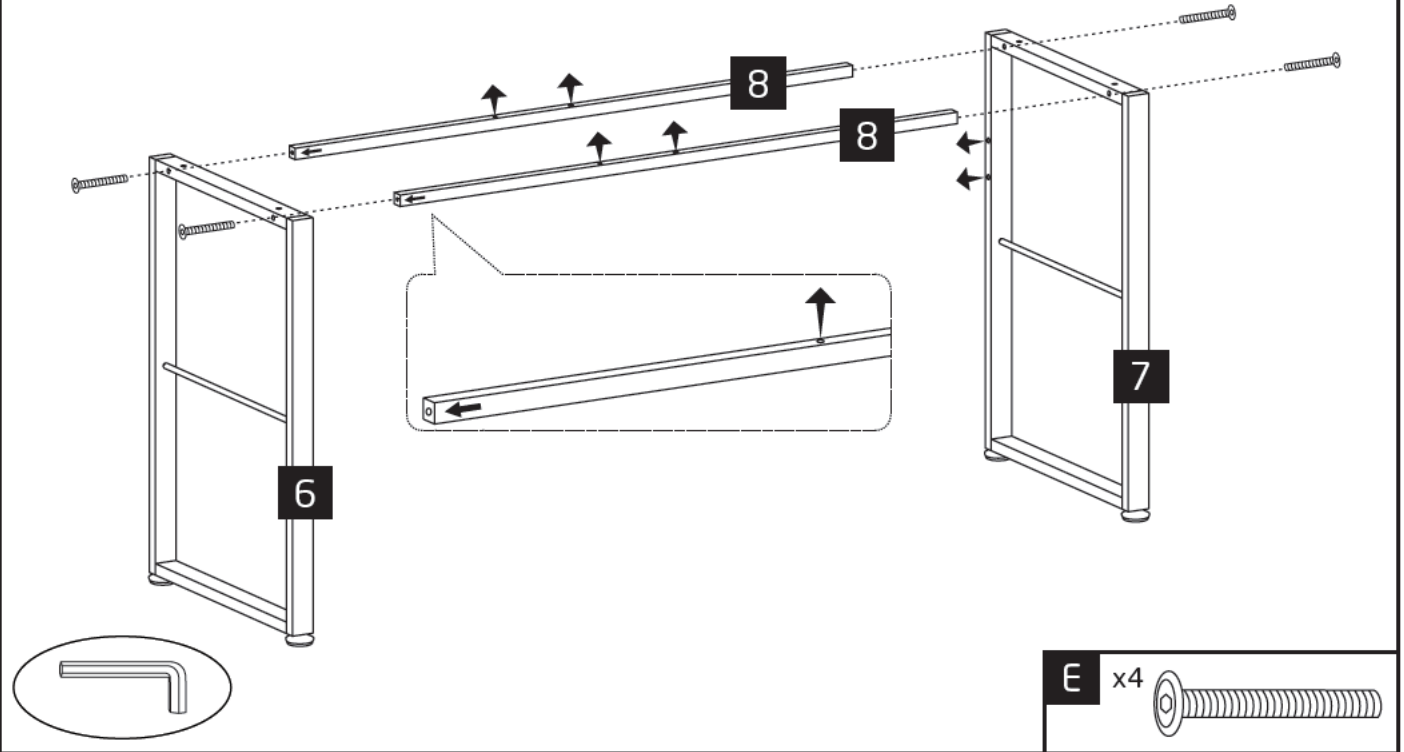
**A** Follow instructions A1 - A8



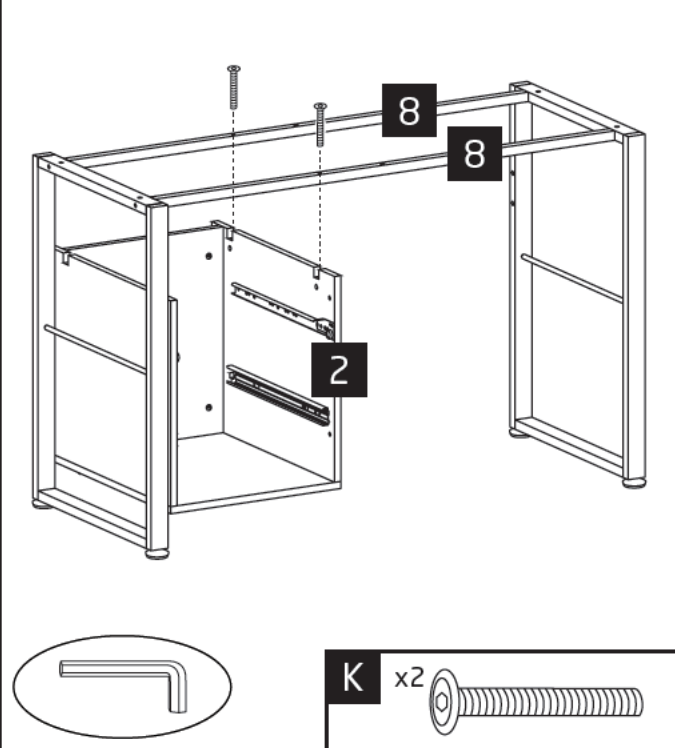
**B** Follow instructions B1 - B8



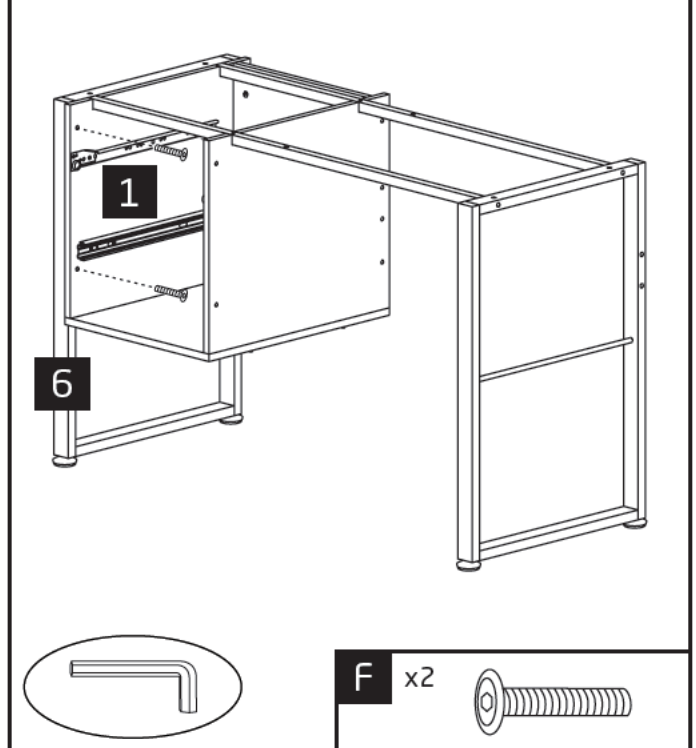
A1



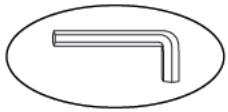
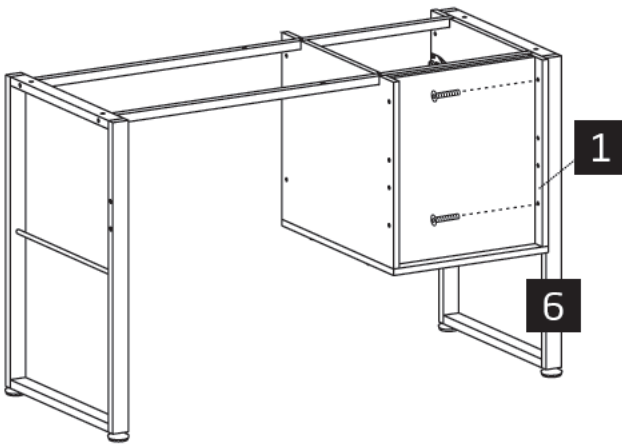
A2



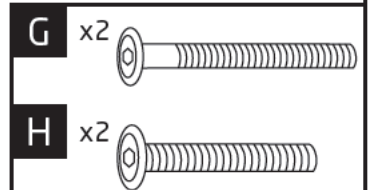
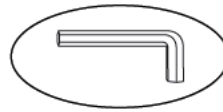
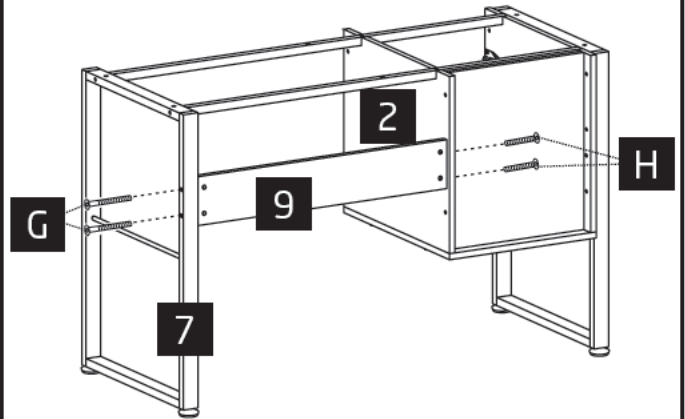
A3



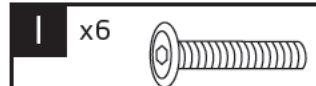
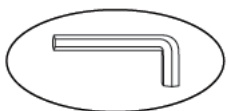
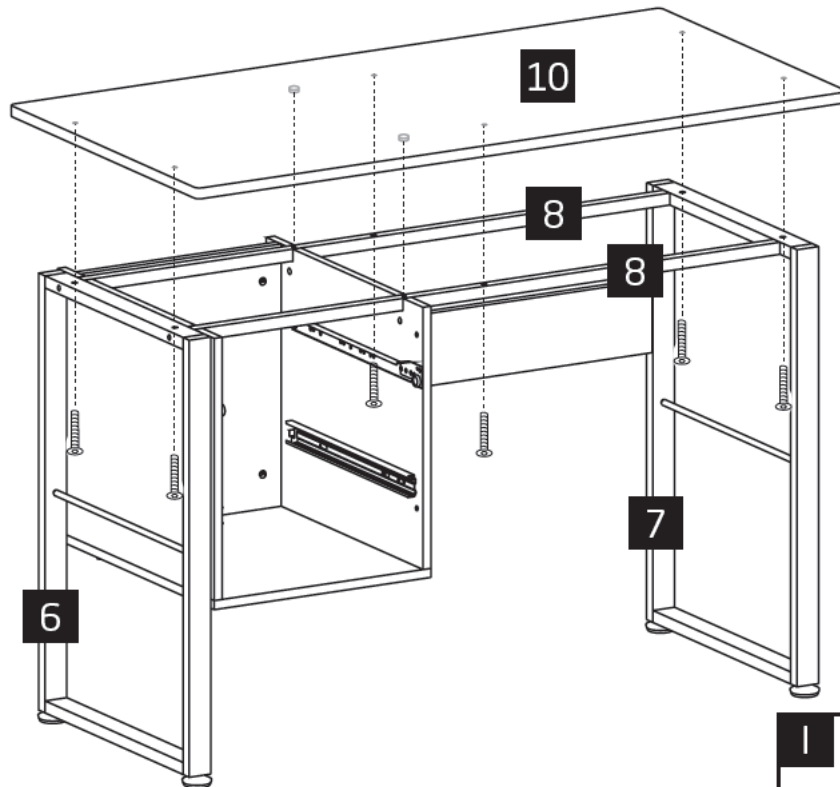
A4



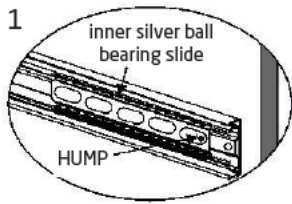
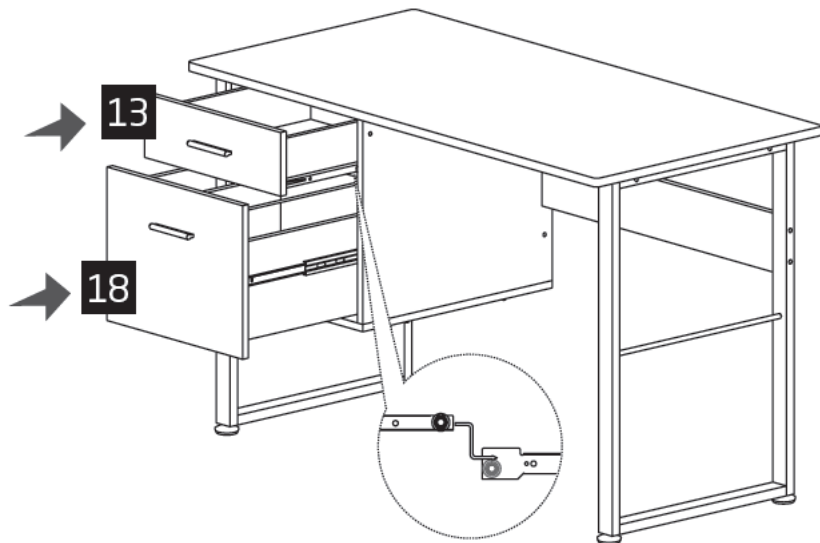
A5



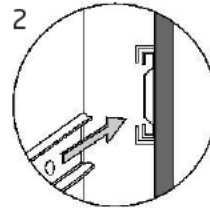
A6



A7

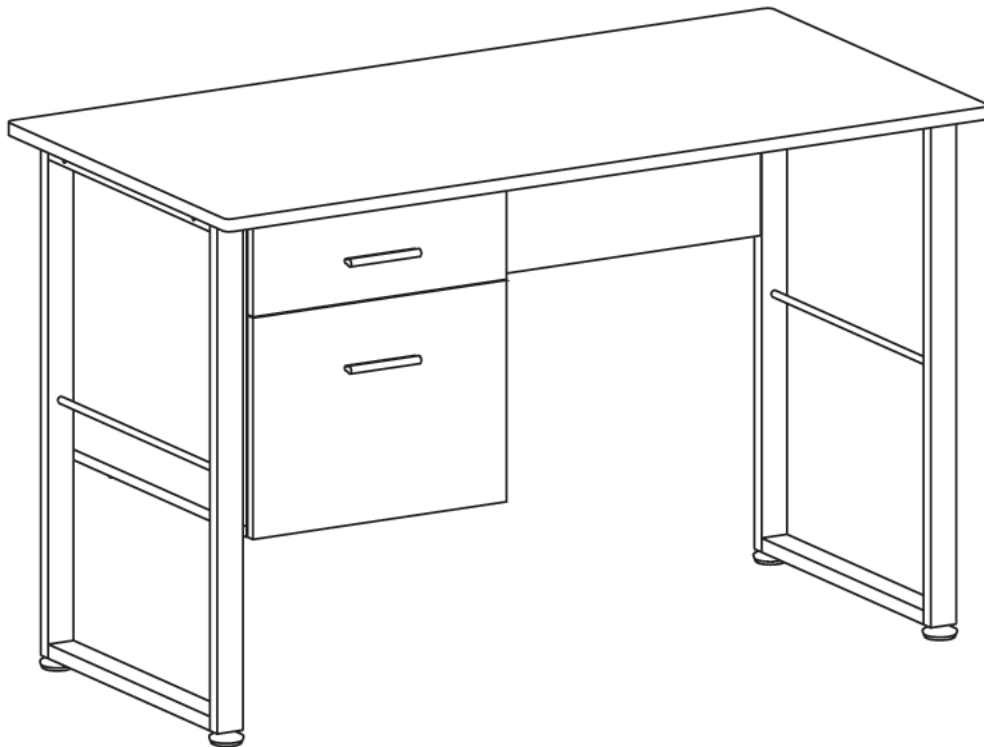


Make sure inner silver ball bearing slide is at the front of the slide mount and in locked position (over the hump) as shown.

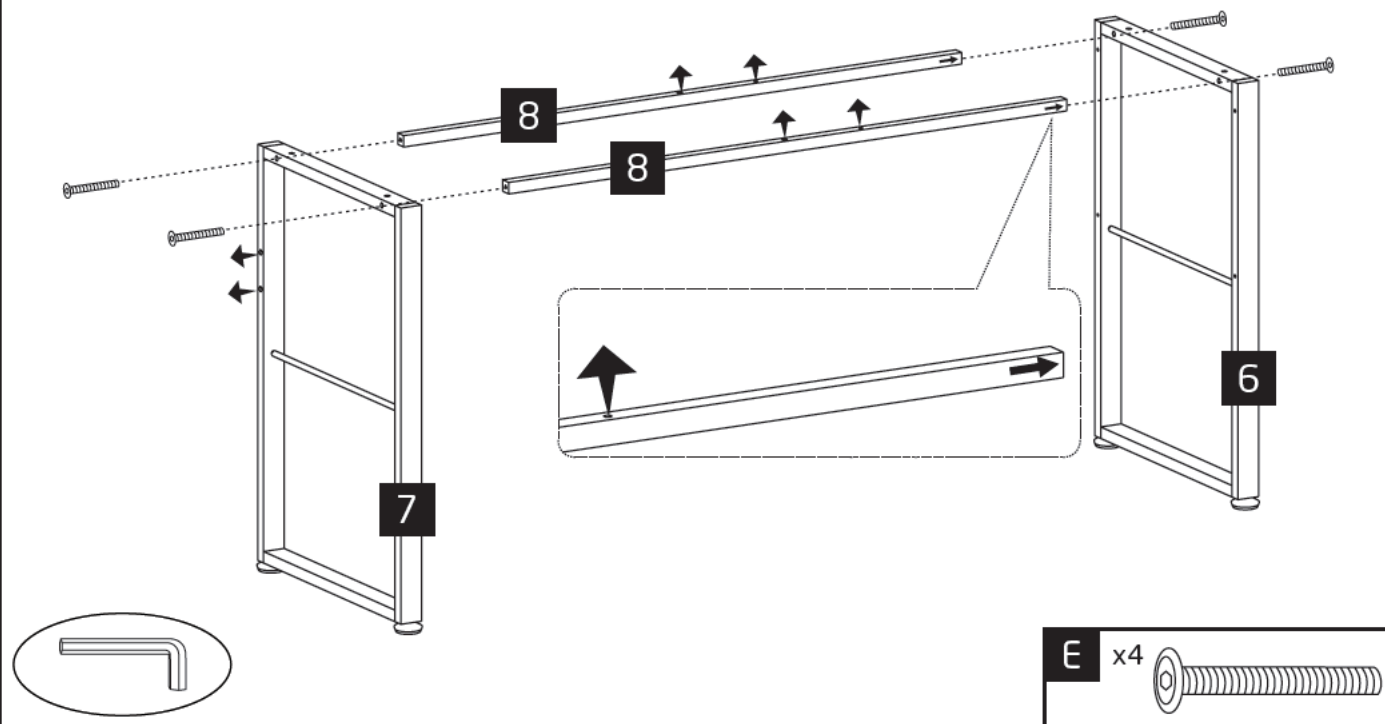


Align both sides of the runners to the slide mount then push all the way in. Apply a small force to insert completely if needed.

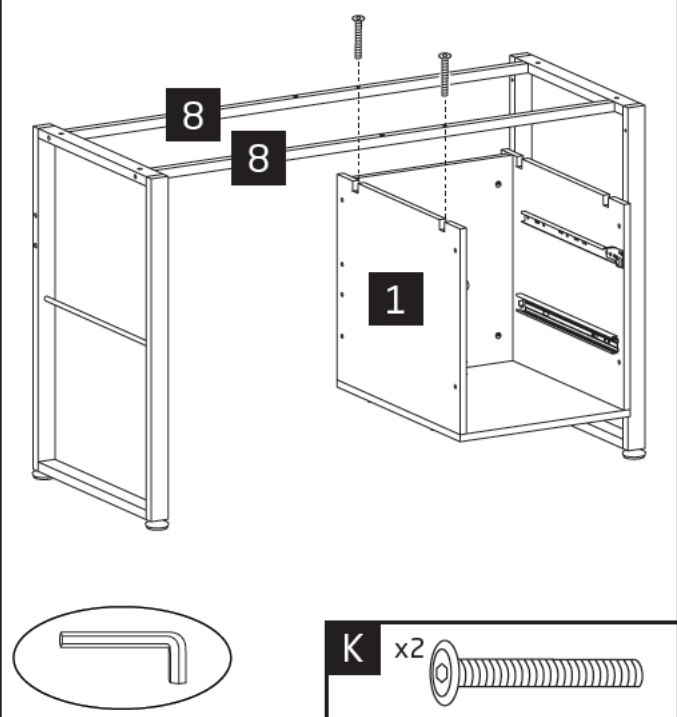
A8



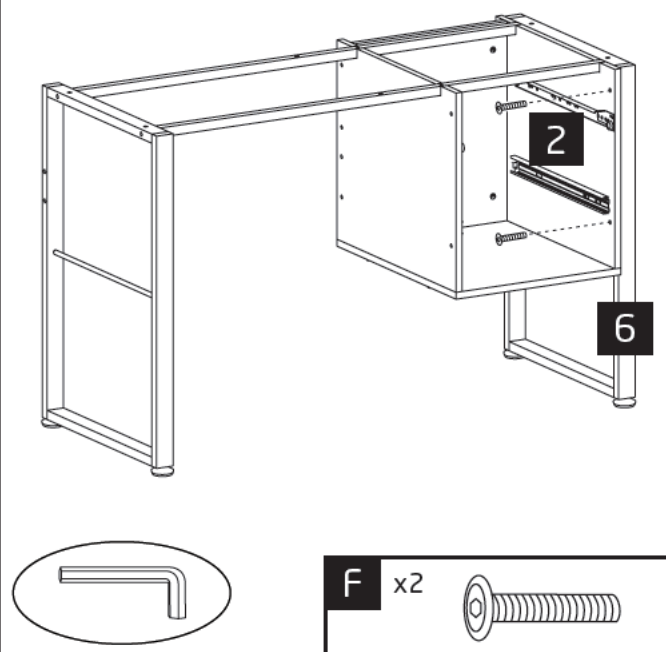
B1



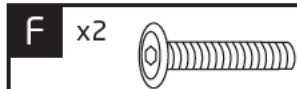
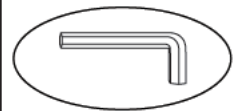
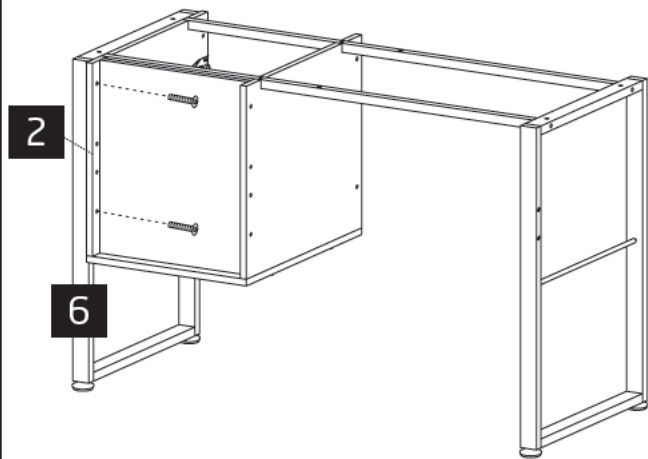
B2



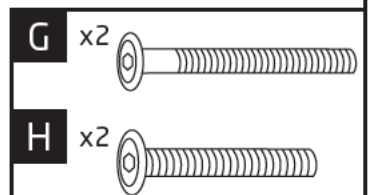
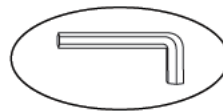
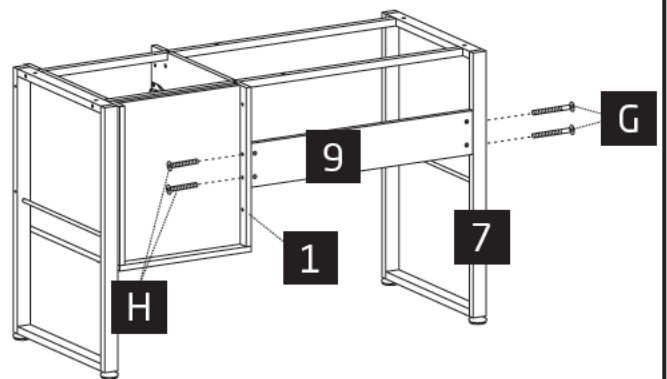
B3



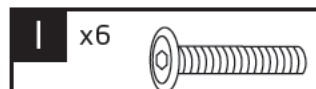
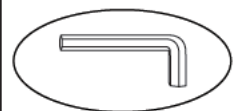
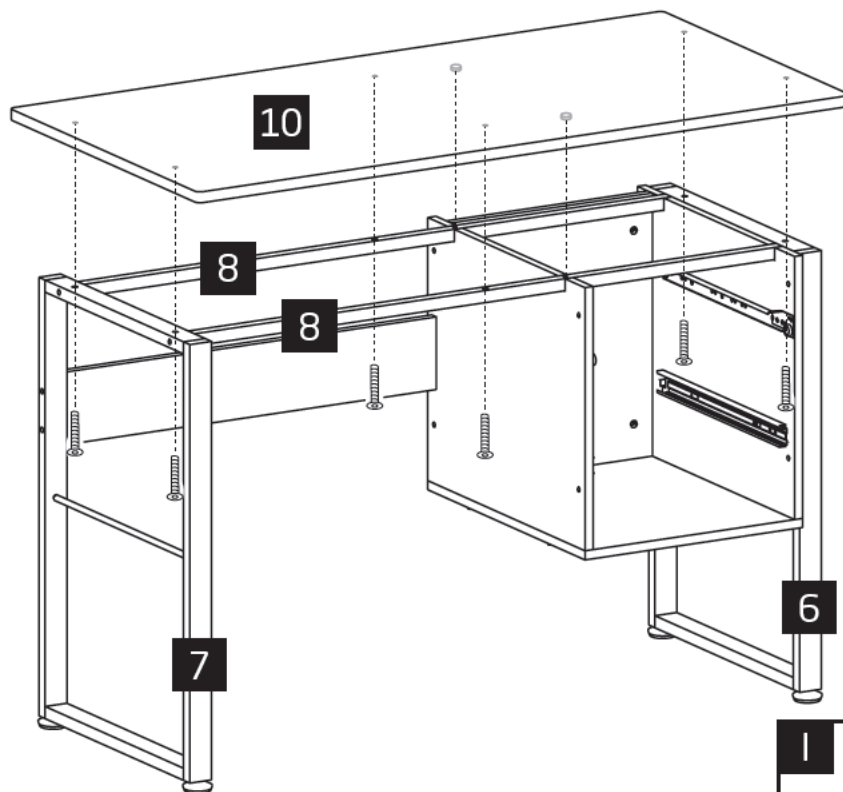
B4



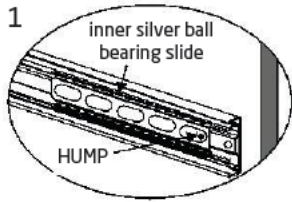
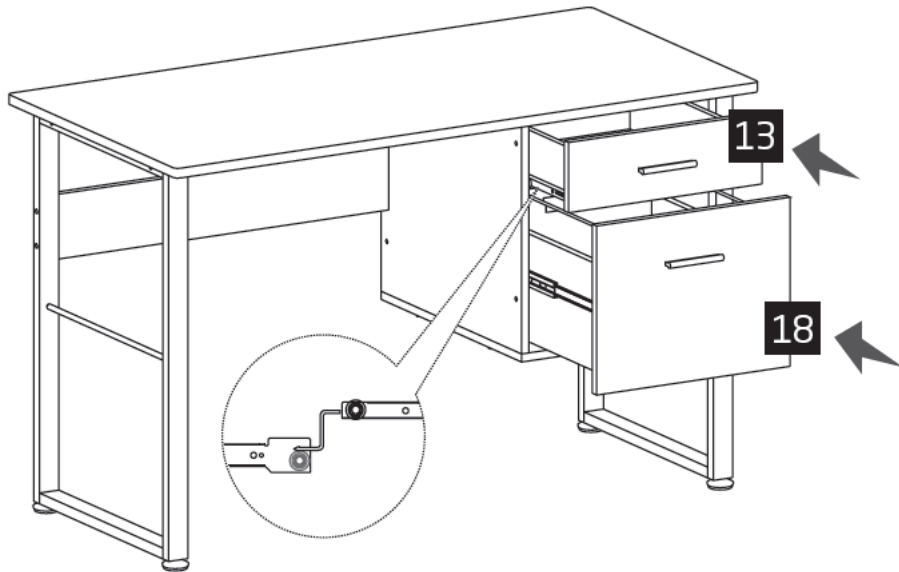
B5



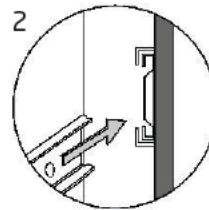
B6



**B7**

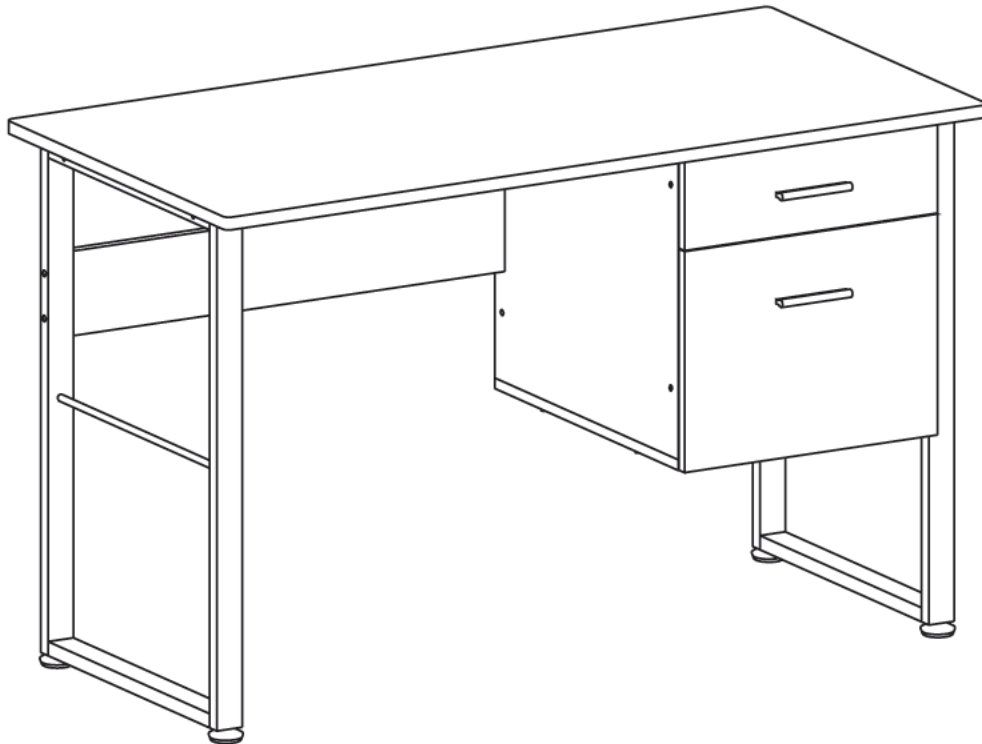


Make sure inner silver ball bearing slide is at the front of the slide mount and in locked position (over the hump) as shown.



Align both sides of the runners to the slide mount then push all the way in. Apply a small force to insert completely if needed.

**B8**



## **Metal parts**

A slightly damp cloth is the best cleaning agent for the metal parts.

## **Fixings**

Periodically check all fixings to ensure none have come loose and re-tighten where necessary.

## **Safety Instructions**

Never drag furniture when moving it, always lift it.

Please take care when handling or moving the furniture as careless handling may cause damage or injury.

Furniture can be dangerous if incorrectly installed. Assembly should be carried out by a competent person. No liability will be accepted for damage or injury caused by incorrectly installed or assembled furniture.

It is recommended that before moving heavy objects to a new location they are completely dis-assembled to avoid personal injury or damage to the furniture. Please be careful to retain all fittings when doing this.

**PLEASE KEEP THESE INSTRUCTIONS FOR FUTURE REFERENCE**