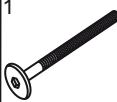



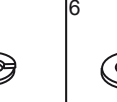










Assembly Instruction

PANEL BACK SIDE CHAIR

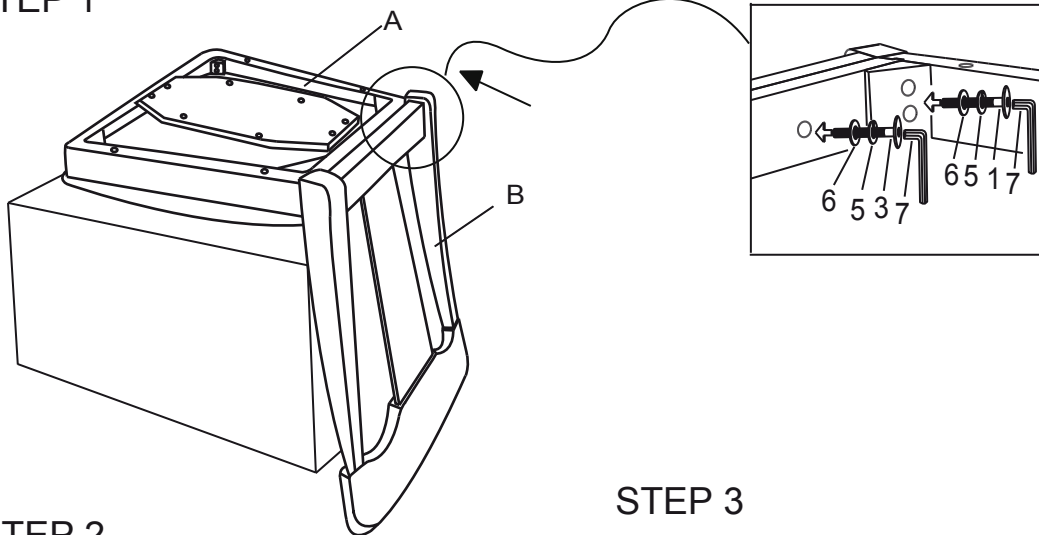
HARDWARE PARTS:

1	2	3	4	5	6	7
						
JCBC Bolt M6x70mm 4 pcs	JCBC Bolt M6x60mm 4 pcs	JCBC Bolt M6x40mm 2 pcs	JCBC Bolt M6x25mm 8 pcs	Lock Washer 18 pcs	Flat Washer 18 pcs	Allen Key 1 pc

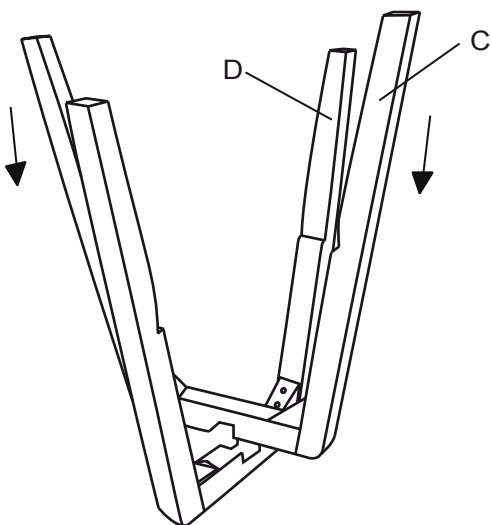
PARTS LISTS

SKETCH	DESCRIPTION	Q'TY
A 	Seat Frame	1 pc
B 	Chair Back	1 pc
C 	Upper Leg Cross Bar	1 pc
D 	Lower Leg Cross Bar	1 pc
E 	Stretcher Rail	1 pc
F 	Swivel	1 pc

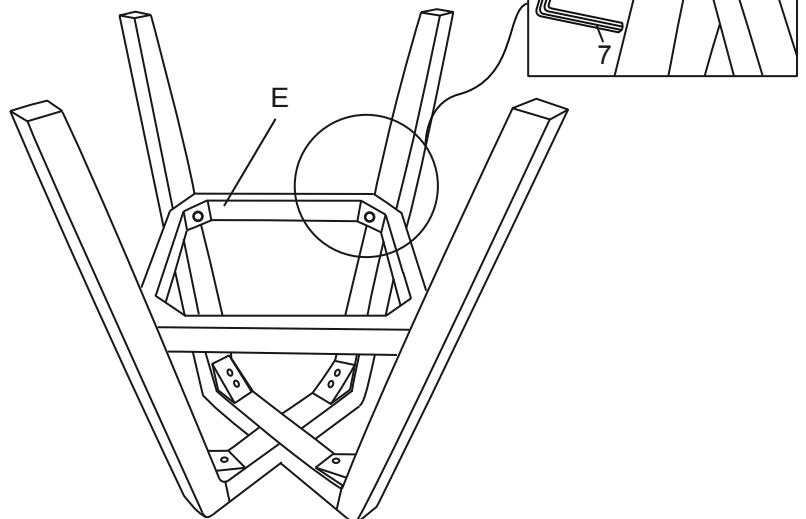
STEP 1



STEP 2



STEP 3



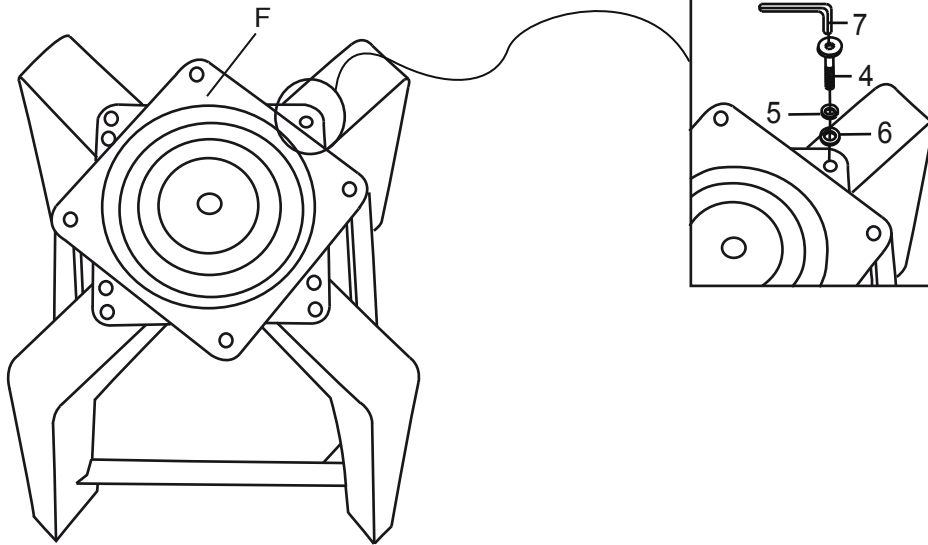
- USE THIS PRODUCT ONLY FOR SEATING ONE PERSON AT TIME
- DO NOT USE THIS PRODUCT AS A STEP STOOL / LADDER
- DO NOT SIT ON ANY PART OF THIS PRODUCT EXCEPT SEAT
- DO NOT USE THIS PRODUCT ON UNEVEN FLOOR SURFSACES
- DO NOT USE THIS PRODUCT UNLESS ALL SCREWS AND BOLTS ARE TIGHT. AT LEAST EVERY 6 WEEKS CHECK ALL SCREWS AND BOLTS TO MAKE SURE THEY ARE TIGHT.

- IF ANY PART ARE MISSING, BROKEN , DAMAGED OR WORN STOP USE OF THIS PRODUCT UNTIL REPAIRS ARE MADE.
- DISPOSE OF PACKAGING PROPERLY. PLASTIC BAG IS NOT A TOY. DO NOT USE PLASTIC BAG AS A HEAD COVERING. IT MAY CAUSE SUFFOCATION.
- FAILURE TO FOLLOW THESE WARNINGS COULD RESULT IN SERIOUS INJURY.

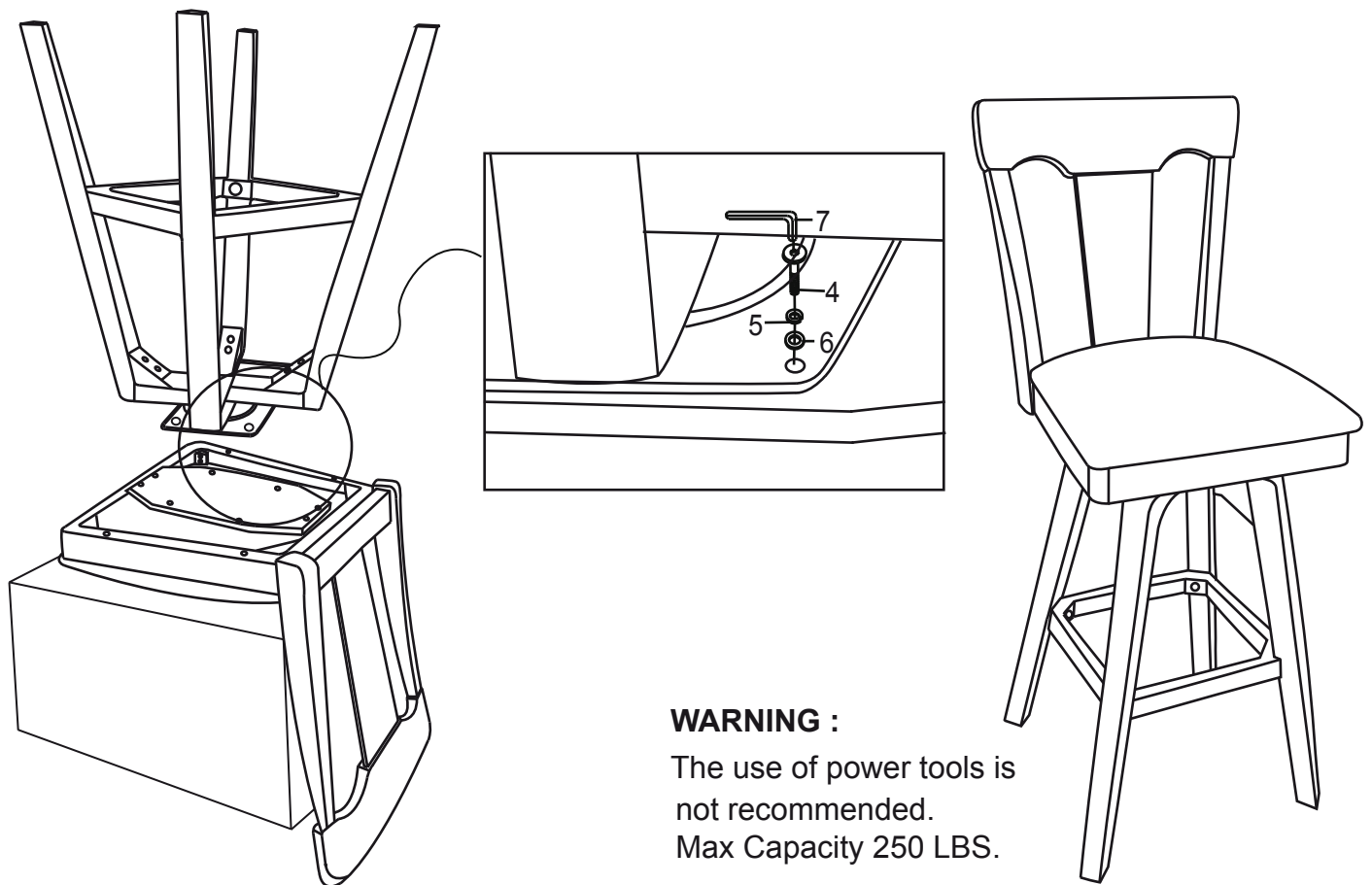
Assembly Instruction

X BACK COUNTER STOOL

STEP 4



STEP 5



WARNING :

The use of power tools is not recommended.
Max Capacity 250 LBS.

- USE THIS PRODUCT ONLY FOR SEATING ONE PERSON AT TIME
- DO NOT USE THIS PRODUCT AS A STEP STOOL / LADDER
- DO NOT SIT ON ANY PART OF THIS PRODUCT EXCEPT SEAT
- DO NOT USE THIS PRODUCT ON UNEVEN FLOOR SURFSACES
- DO NOT USE THIS PRODUCT UNLESS ALL SCREWS AND BOLTS ARE TIGHT. AT LEAST EVERY 6 WEEKS CHECK ALL SCREWS AND BOLTS TO MAKE SURE THEY ARE TIGHT.

- IF ANY PART ARE MISSING, BROKEN , DAMAGED OR WORN STOP USE OF THIS PRODUCT UNTIL REPAIRS ARE MADE.
- DISPOSE OF PACKAGING PROPERLY. PLASTIC BAG IS NOT A TOY. DO NOT USE PLASTIC BAG AS A HEAD COVERING. IT MAY CAUSE SUFFOCATION.
- FAILURE TO FOLLOW THESE WARNINGS COULD RESULT IN SERIOUS INJURY.