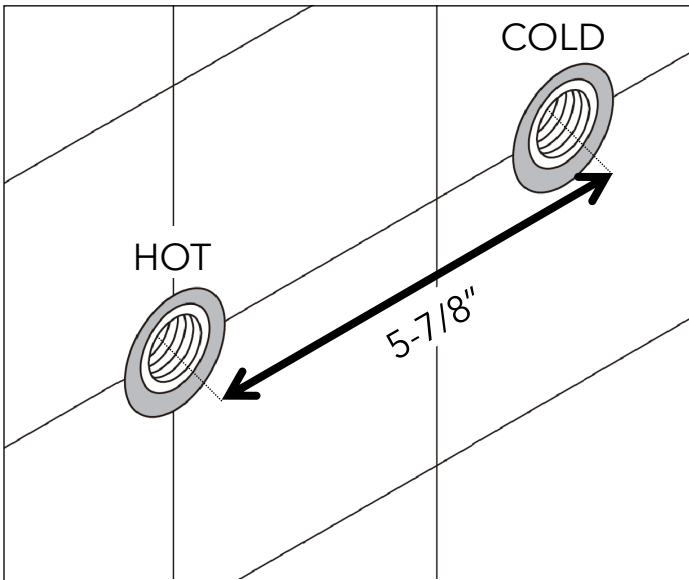
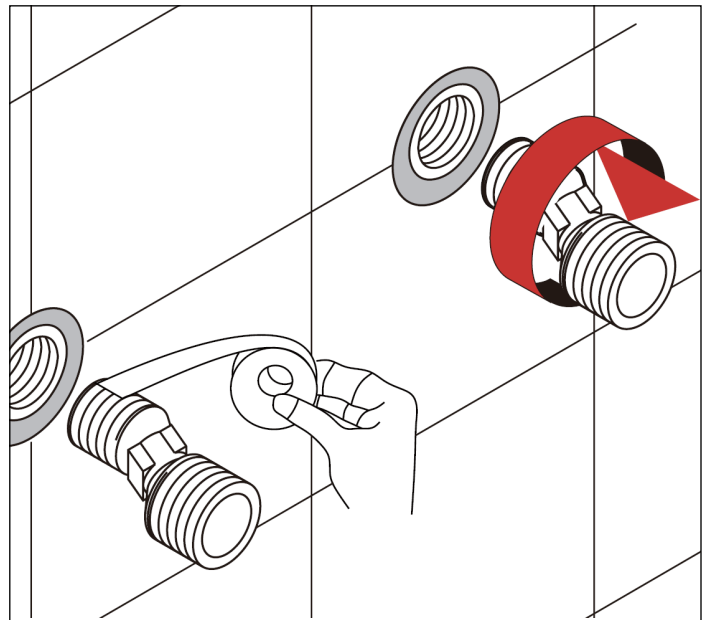


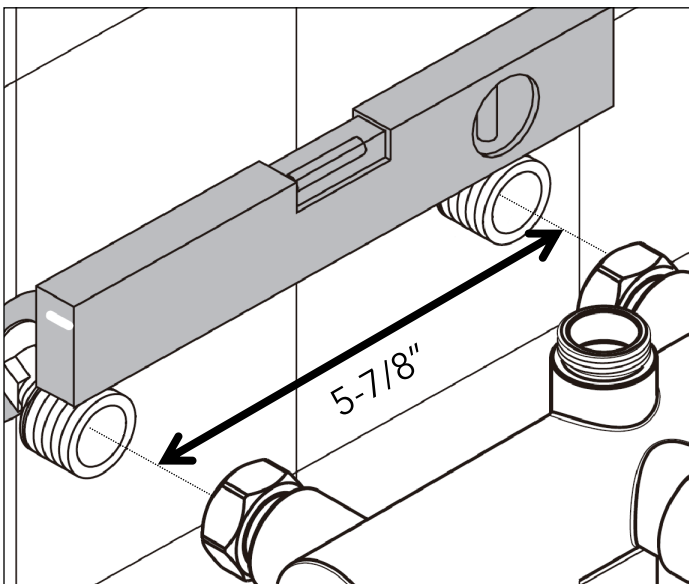
KENZO TRIPLE FUNCTION OUTDOOR SHOWER INSTALLATION MANUAL



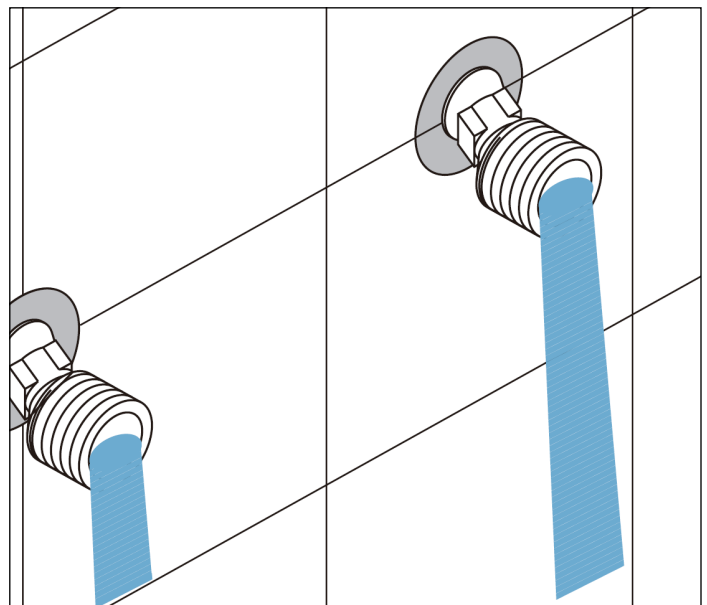
1. Provide 1/2" female hot and cold water supplies 5-7/8" apart on center.



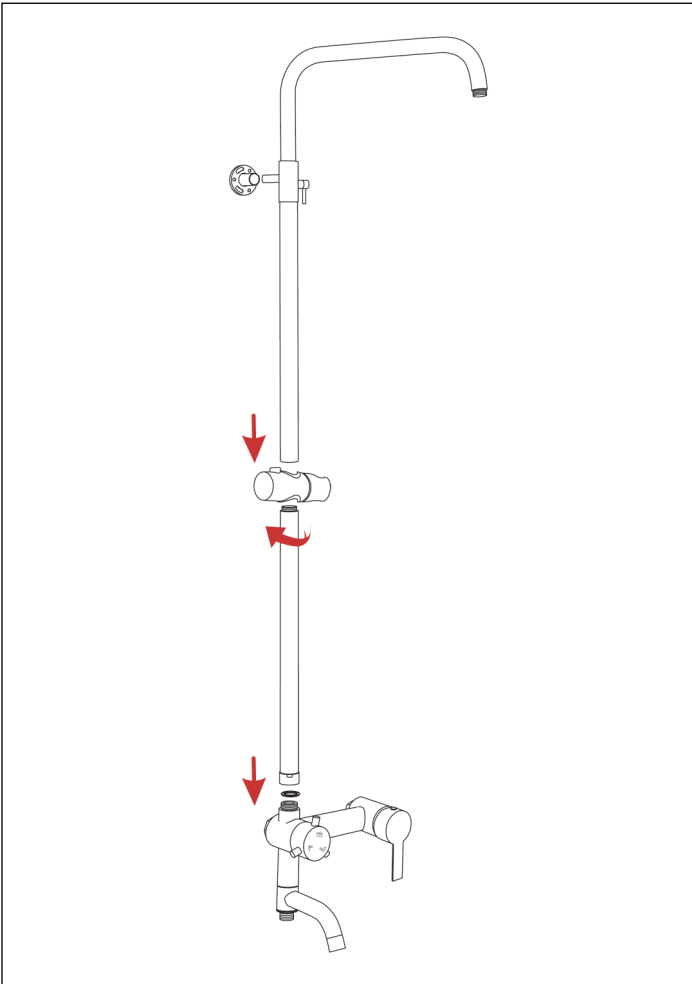
2. Connect the installation adapters to the water supplies. Use a small amount of teflon tape to ensure a watertight seal.



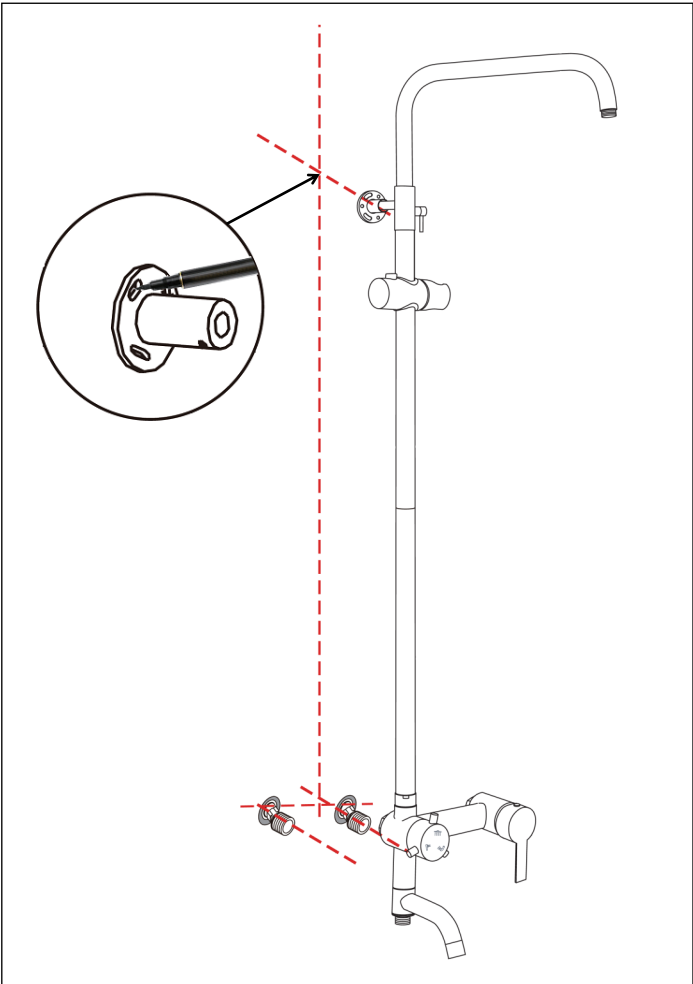
3. Adjust the adapters so they are level and exactly 5-7/8" apart on center.



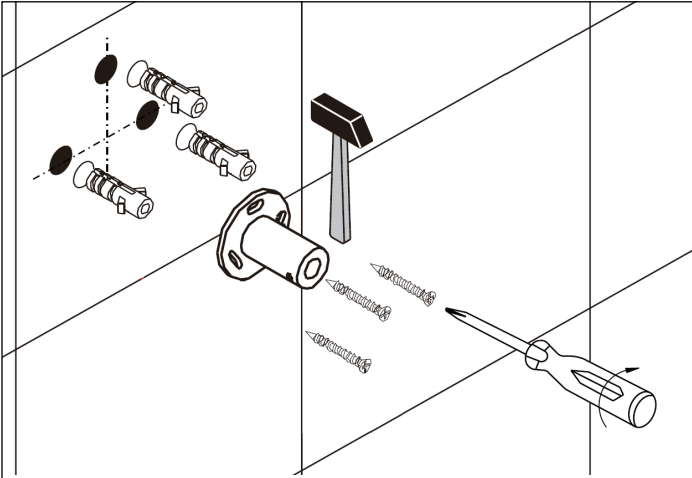
4. Turn the water on for several minutes to flush the supply lines. This will prevent dirt and impurities from entering the cartridge and reducing water pressure.



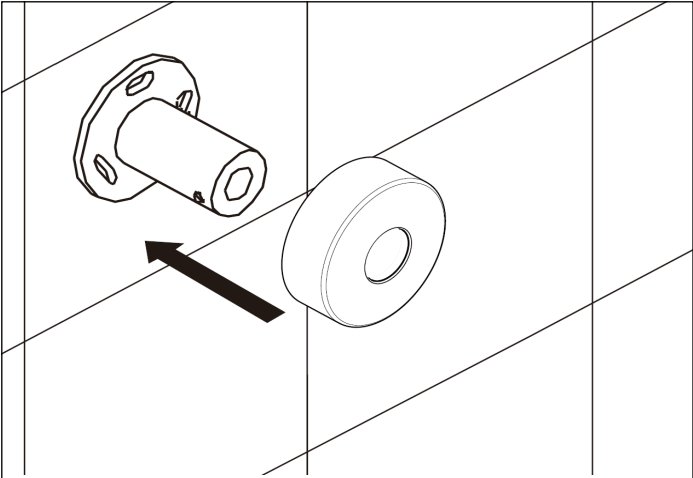
5. Assemble the shower set as shown. Use sealing washers where needed.



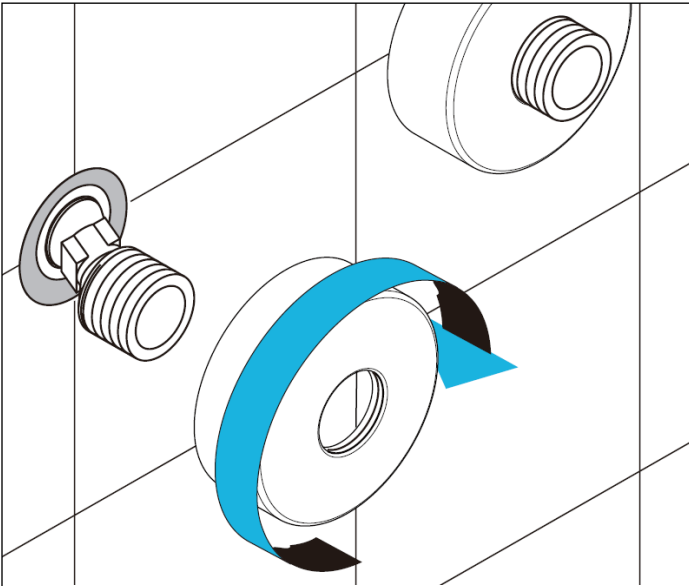
6. Hold the assembled shower set in its desired position and mark the location of the mounting bracket.



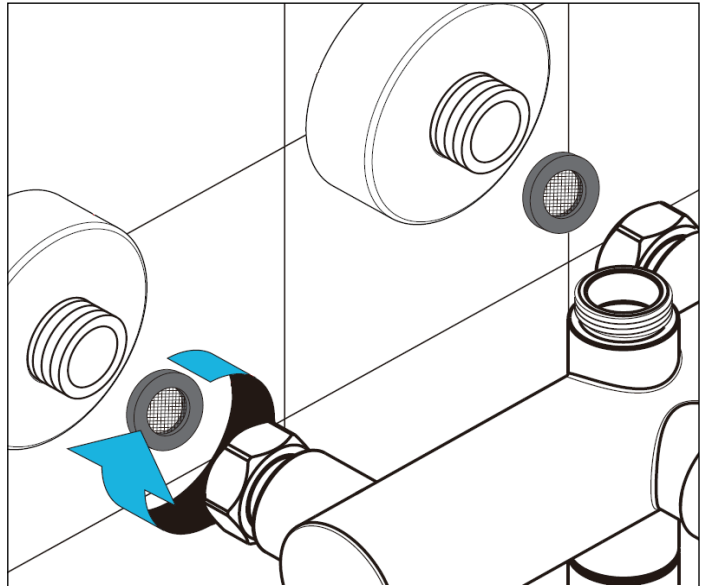
7. Install the mounting bracket.



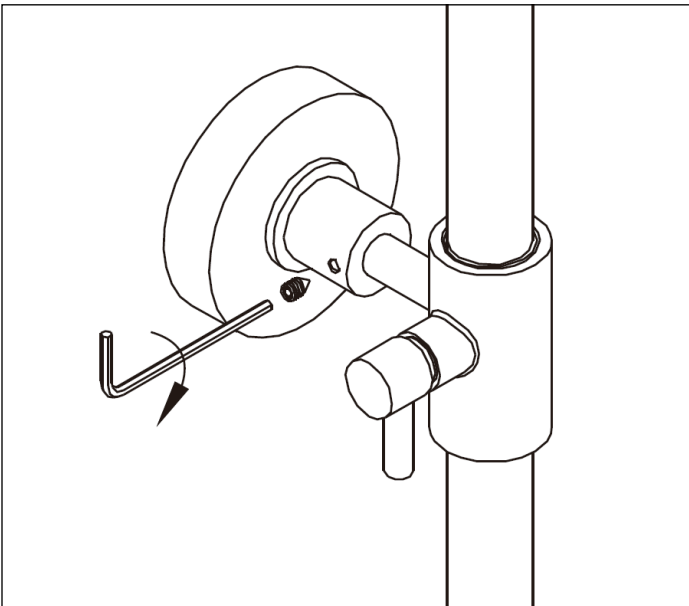
8. Install the mounting bracket cover.



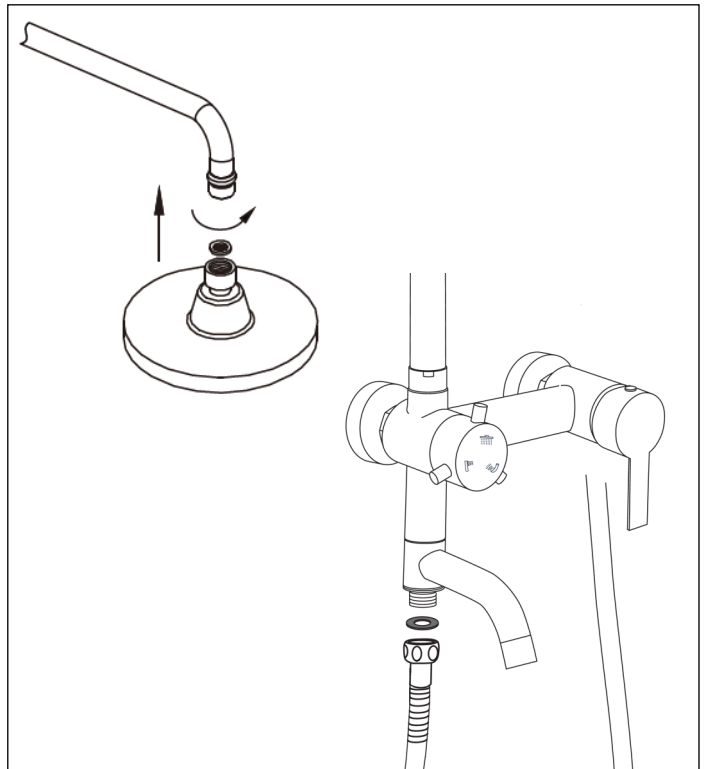
9. Place the covers over the installation adapters.



10. Connect the main body to the installation adapters. Make sure to use sealing washers.



11. Slide the shower set into the mounting bracket and secure into place with the set screw.



12. Install the rain shower head and hand shower. Make sure to use sealing washers.