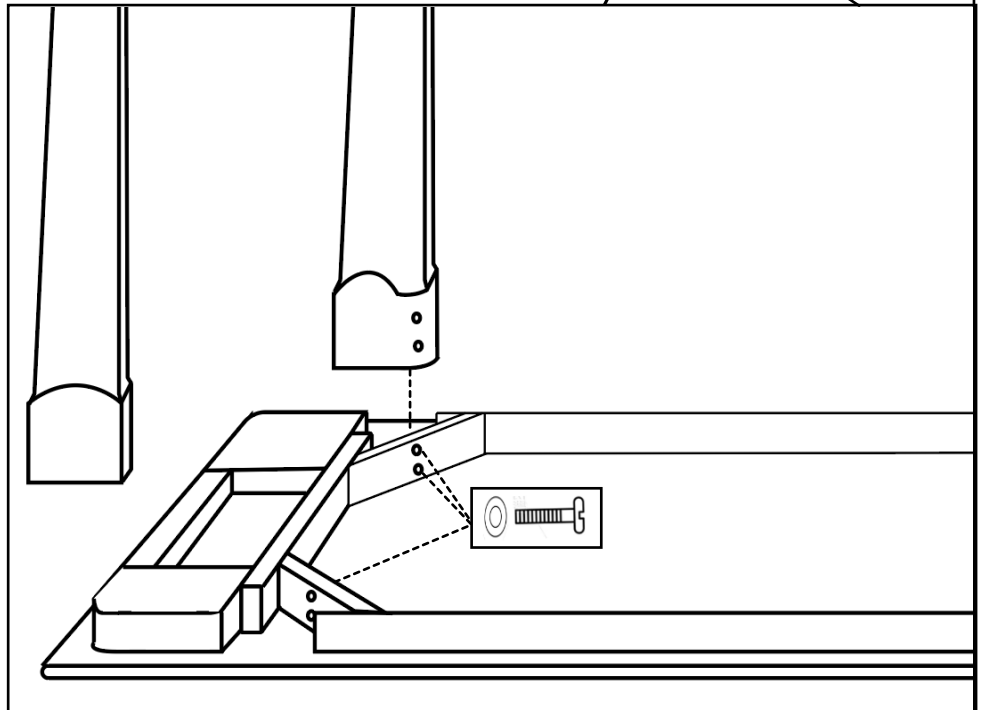
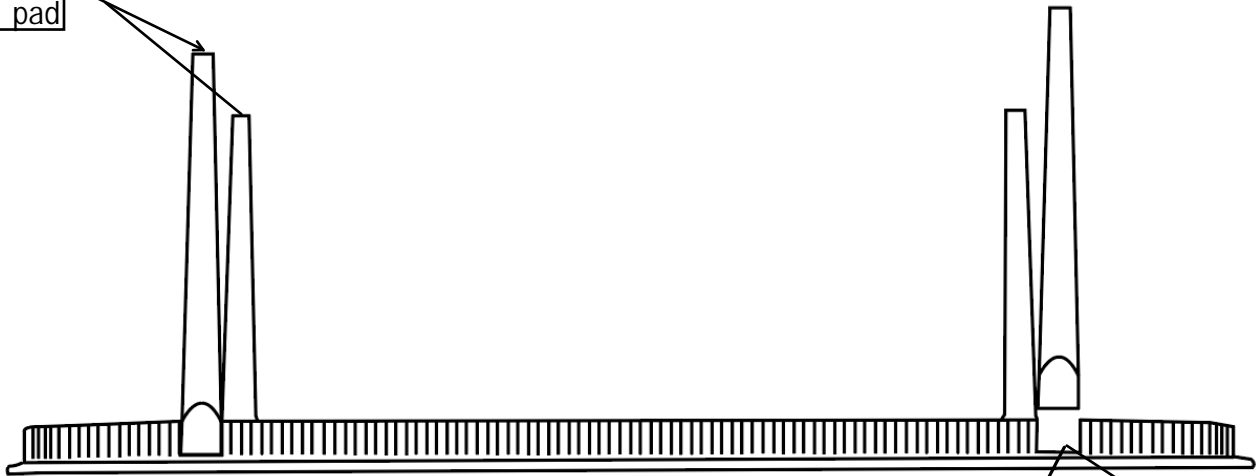


Installation guide

Parts list:

Table top *1 table leg *4 screws *8 gaskets *8 foot pads *4



Place a sponge or a cardboard box on the ground. Then, place the desktop upside down on the sponge for installation. The side of the table leg with the screw holes should be aligned with the empty slot with the screw holes at the bottom of the desktop. Fasten and fix it with washers and screws. Finally screw on four adjustable foot pads.