

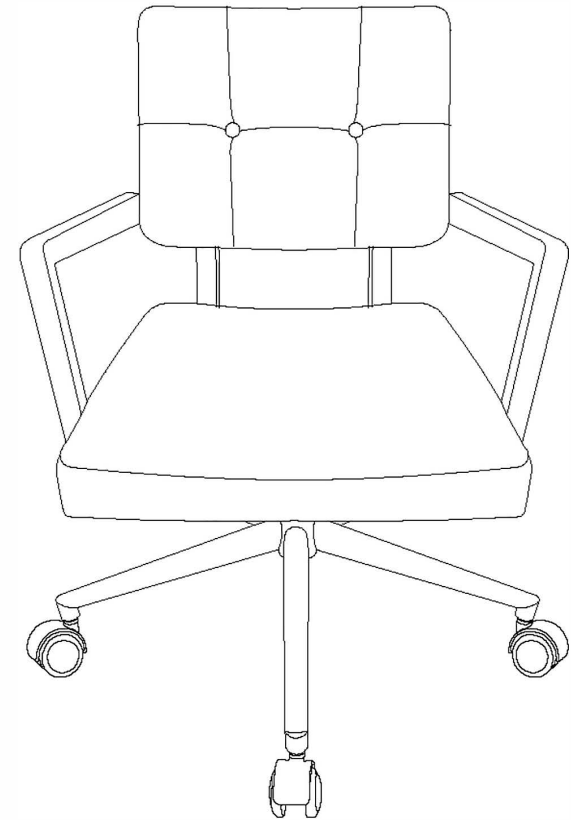
# ASSEMBLY INSTRUCTIONS

## LIVING ROOM CHAIR

### Be sure to keep spare parts.

---

If screws or nails of a product are damaged or lost, or screws or nails of a subsequent product are damaged or aged, spare parts can be used to replace them.



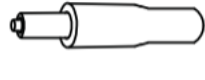
1



Cx1



Dx5

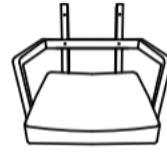


Fx1

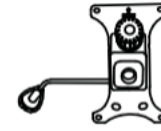


Kx1

2



Ax1



Ex1



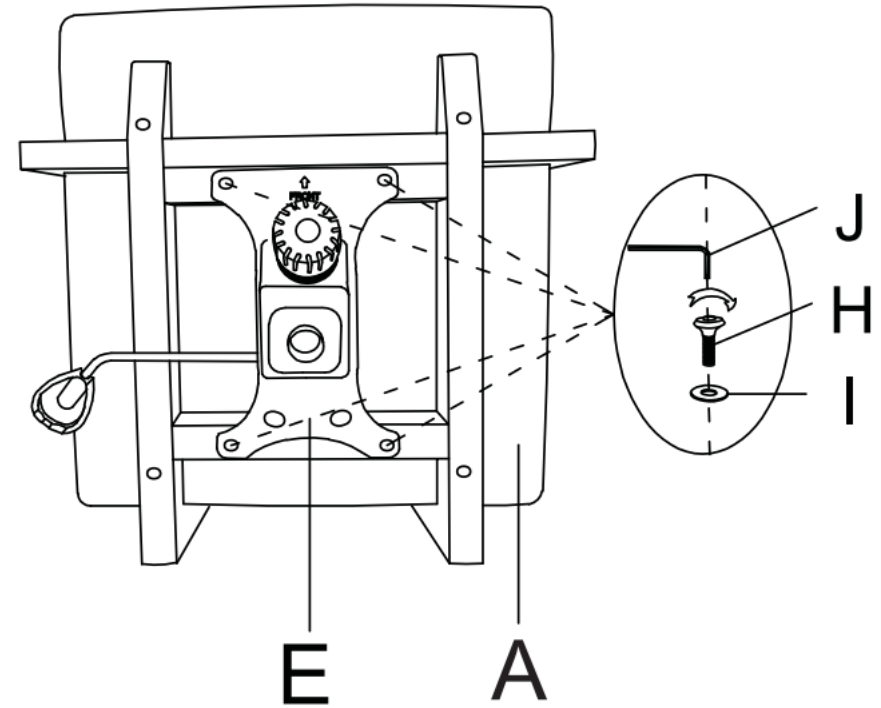
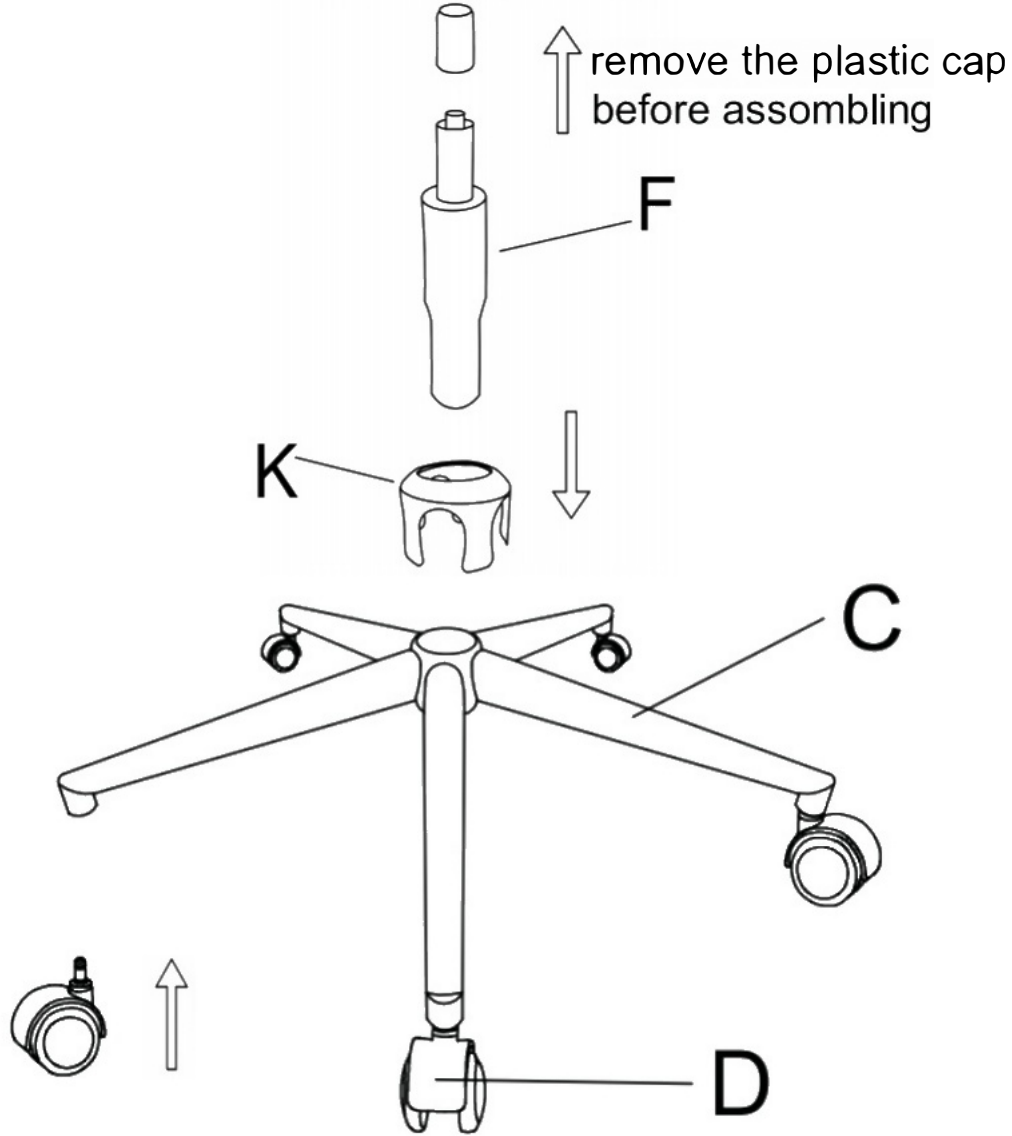
Hx4



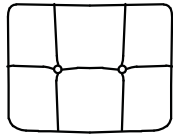
Ix4



Jx1



3



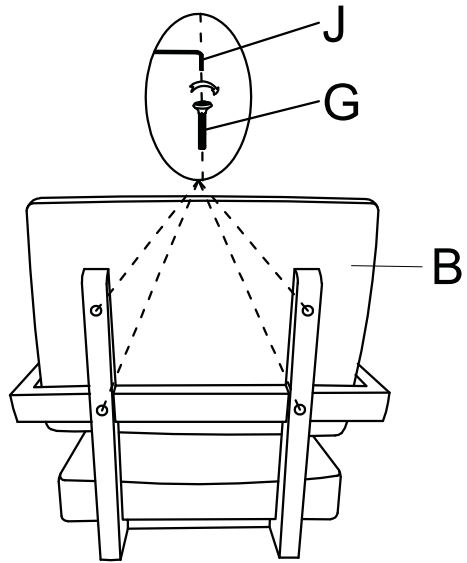
Bx1



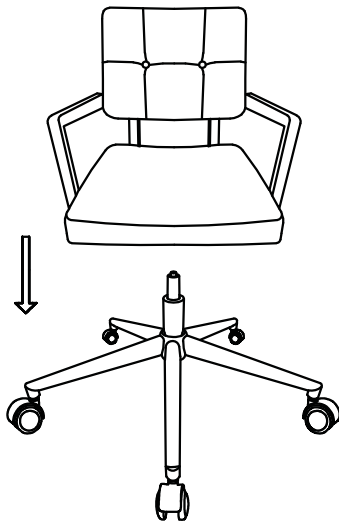
Gx4



Jx1

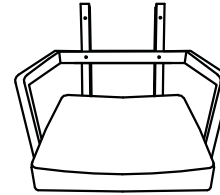


4

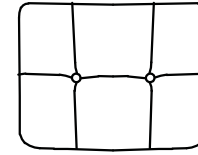


### SPARE PARTS

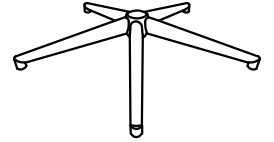
Ax1



Bx1



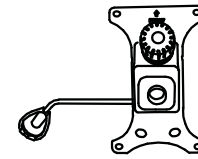
Cx1



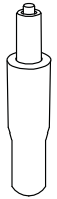
Dx5



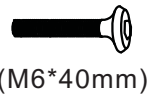
Ex1



Fx1



Gx4+1extra



Hx4+1extra



Ix4



Jx1



Kx1

