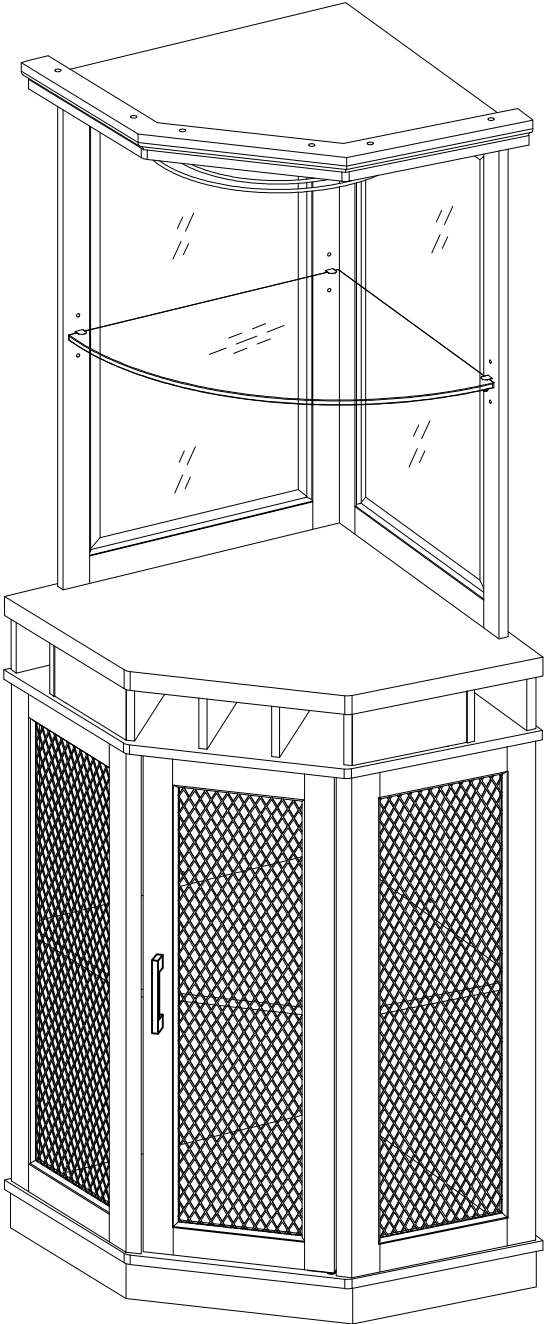
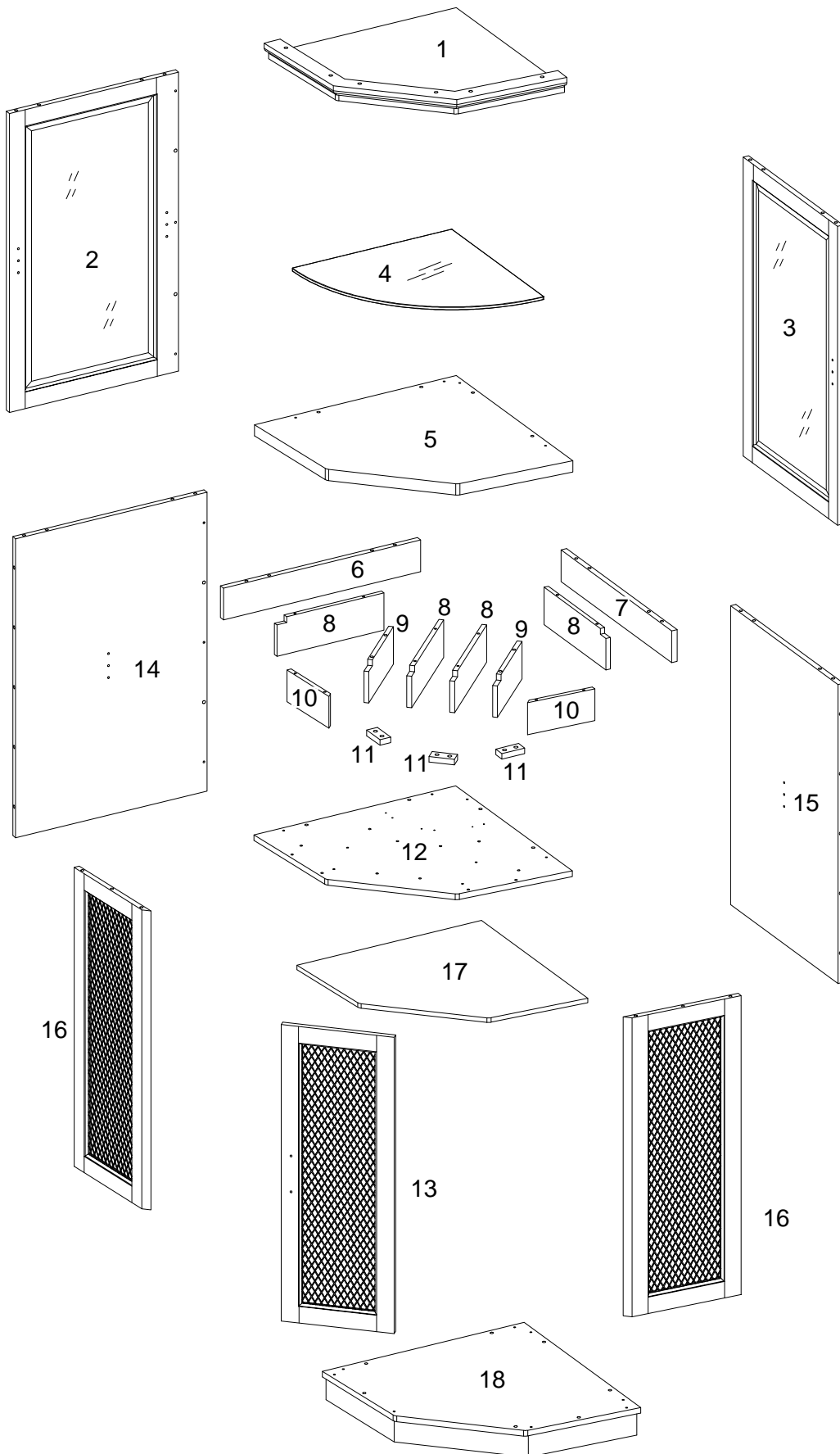




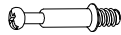



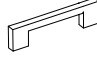

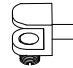



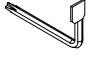
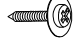
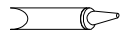
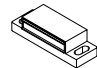

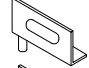
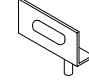




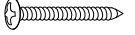

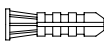
ASSEMBLY INSTRUCTION



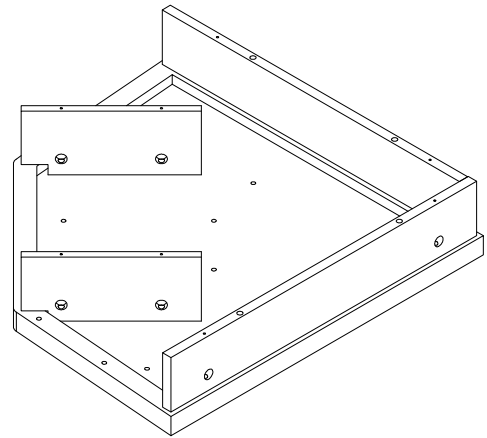
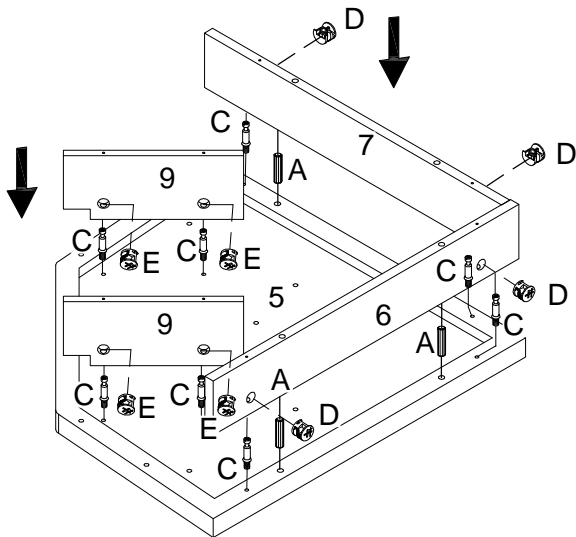
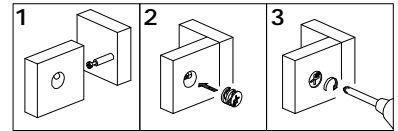
Parts List



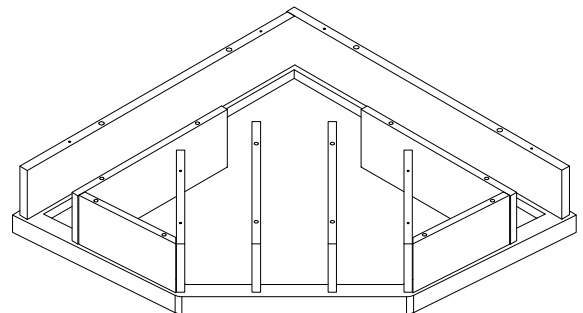
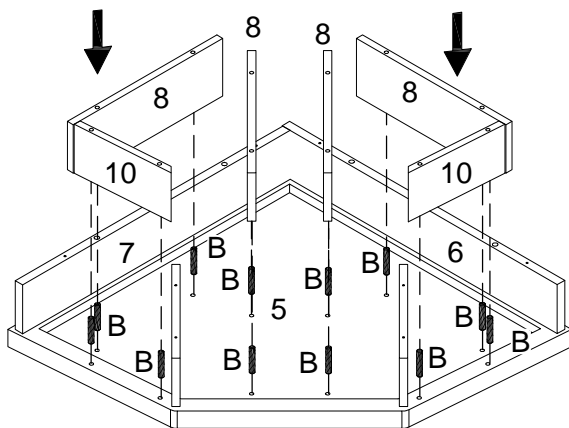
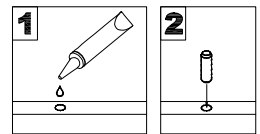
Hardware List

A		Ø8x30mm	Wooden dowel	36 pcs
B		Ø6x30mm	Wooden dowel	24 pcs
C		Ø6x35mm	Cam bolt	38 pcs
D		Ø15x11mm	Cam lock	34 pcs
E		Ø15x9mm	Cam lock	4 pcs
F		Ø5x16mm	Shelf support pin	4 pcs
G			Handle	1 pcs
H		Ø4x22mm	Handle bolt	2 pcs
I			Glass support	3 pcs
J		Ø8x12mm	Door shaft support	2 pcs
K			Sticker	38 pcs
L		Ø3.5x15mm	Screw	6 pcs
M		M4mm	Hexagon socket key	1 pcs
N		Ø3x15mm	Screw	4 pcs
O			Glue	1 pcs
P			Door stopper	1 pcs
Q			Metal plate	1 set
R		40x16.5x15mm	Hinge	1 pc
S		40x16.5x15mm	Hinge	1 pc
T			Wine rack	1 pcs
U		Ø4x44mm	Fast screw	14 pcs
V		Ø4x19mm	Fast screw	6 pcs
W		Ø4x12mm	Screw	2 pcs
X		Ø4x25mm	Screw	2 pcs
Y		150x25mm	Wall strap	2 pcs
Z		Ø7x30mm	Plug	2 pcs

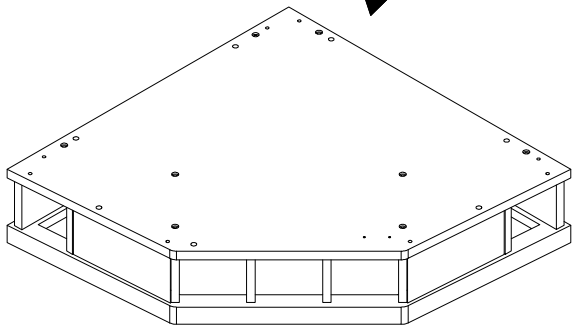
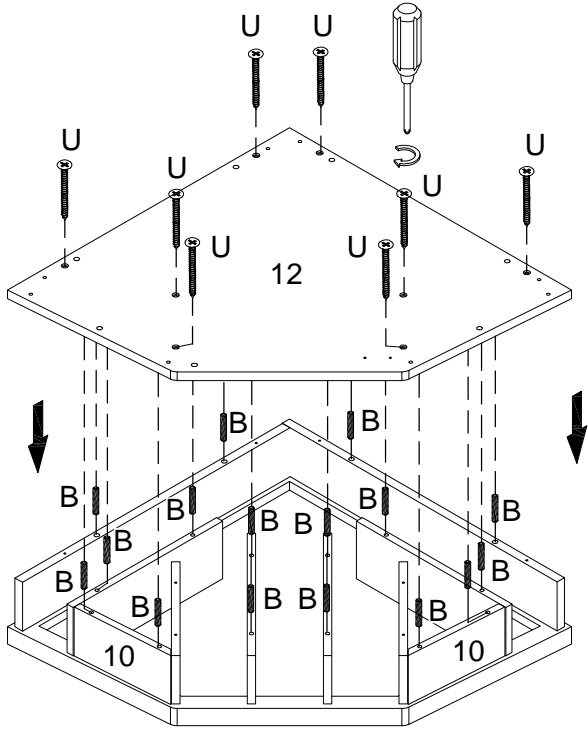
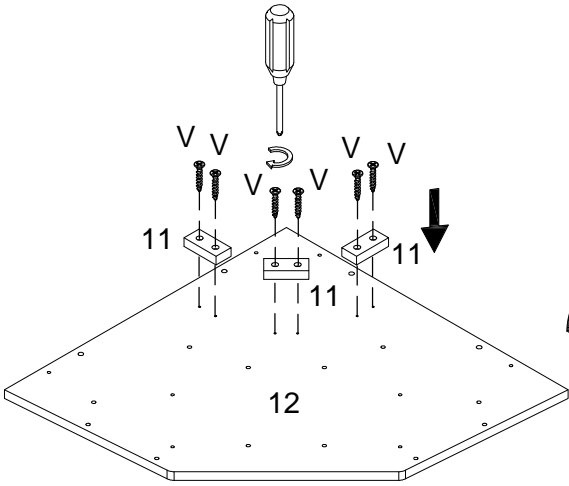
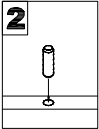
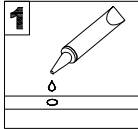
Step 1



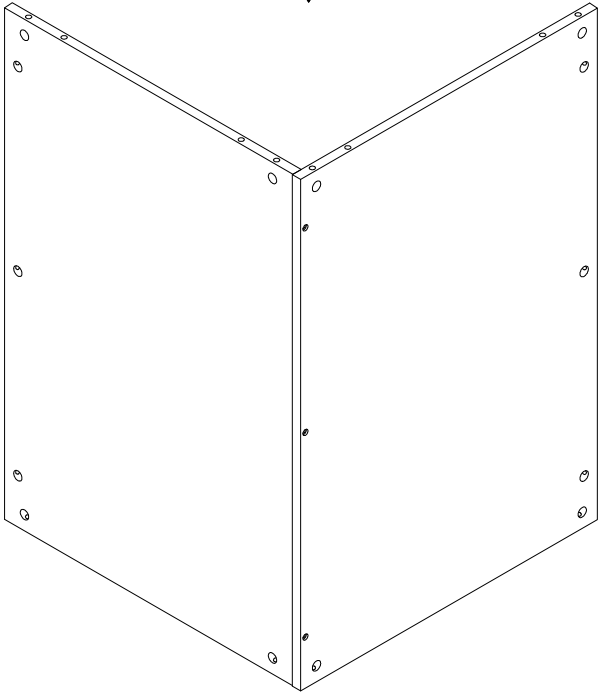
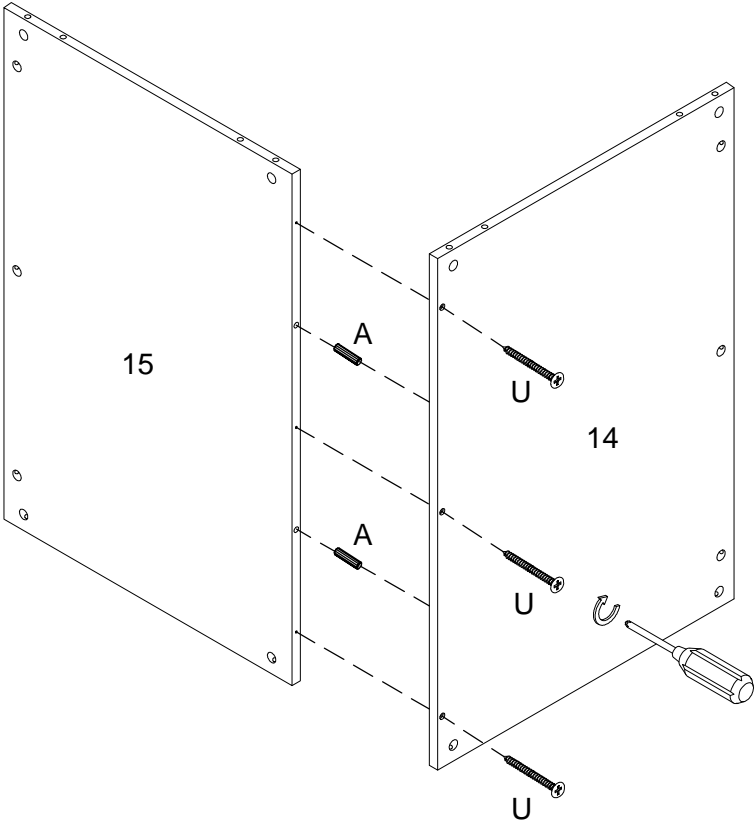
Step 2



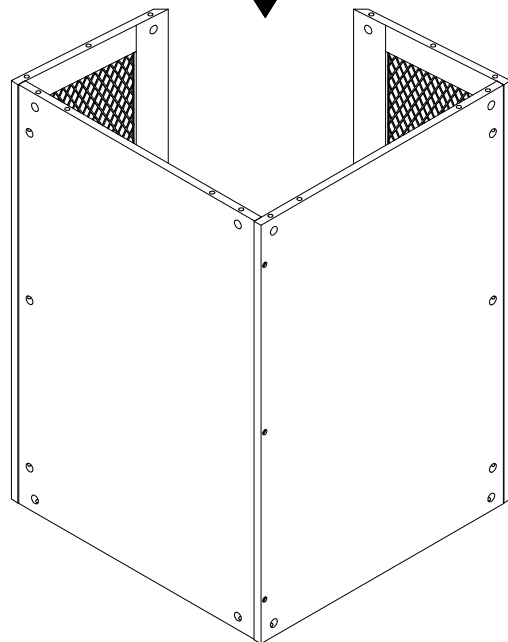
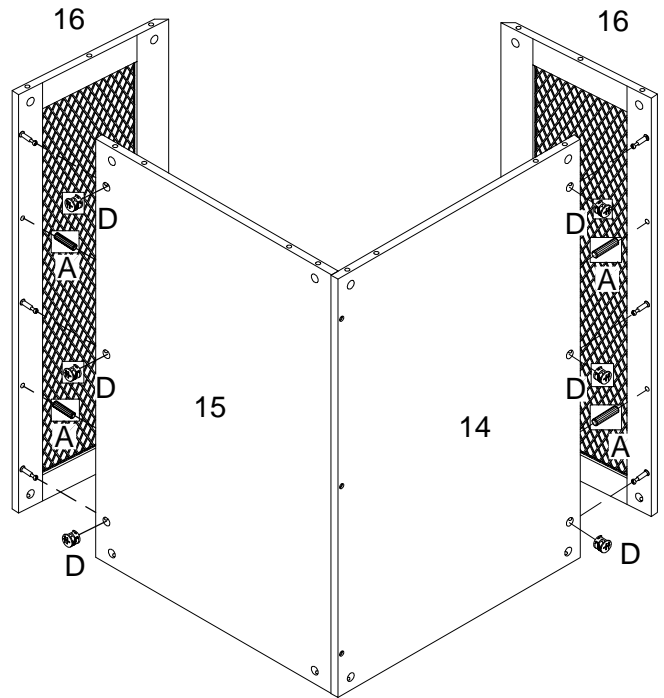
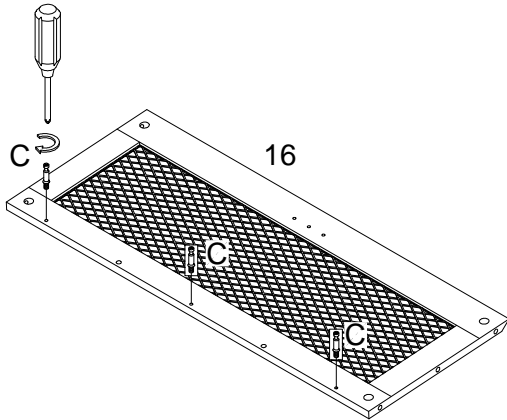
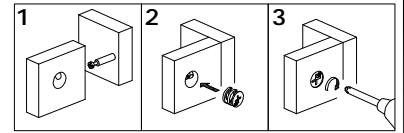
Step 3



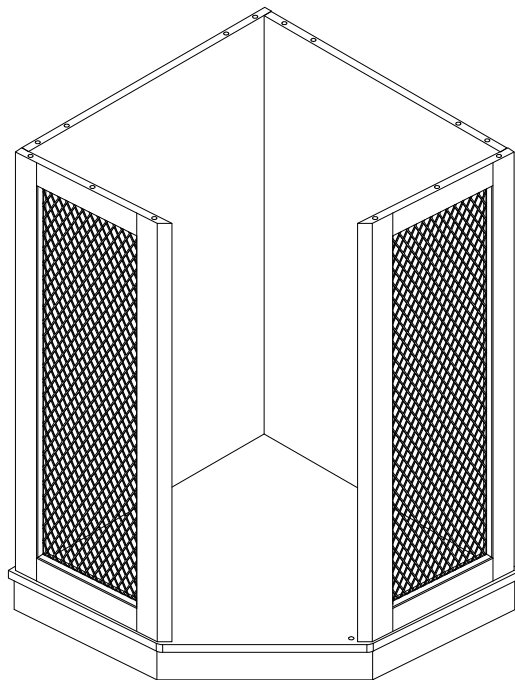
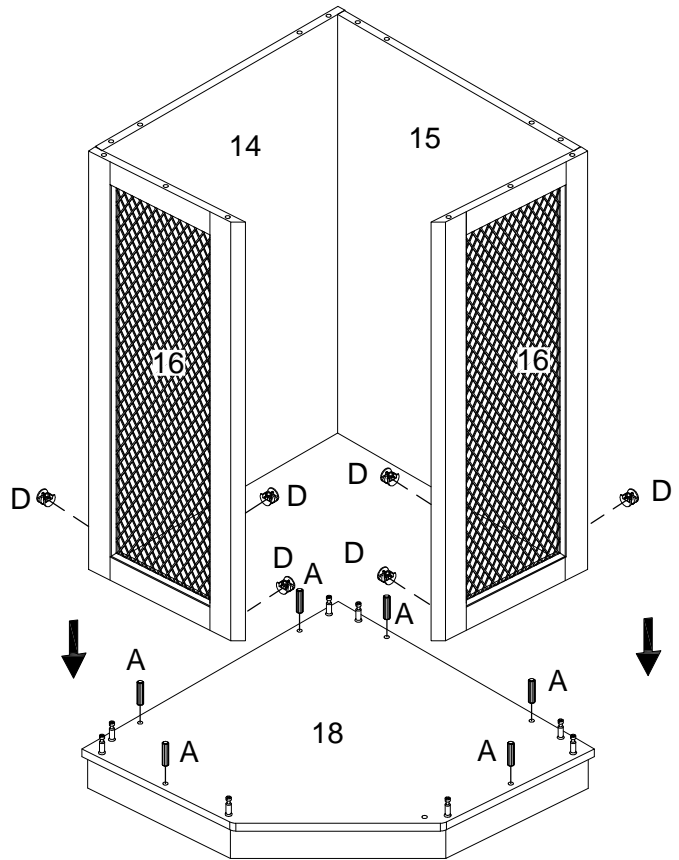
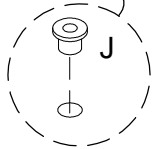
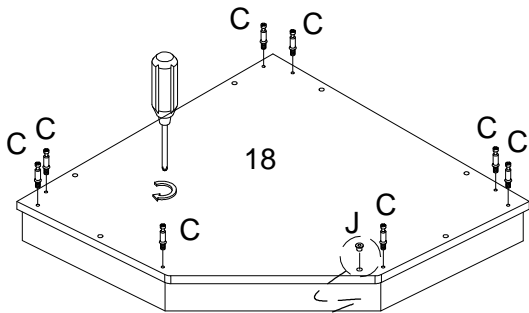
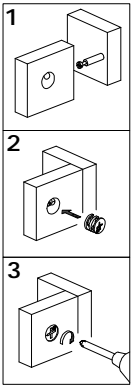
Step 4



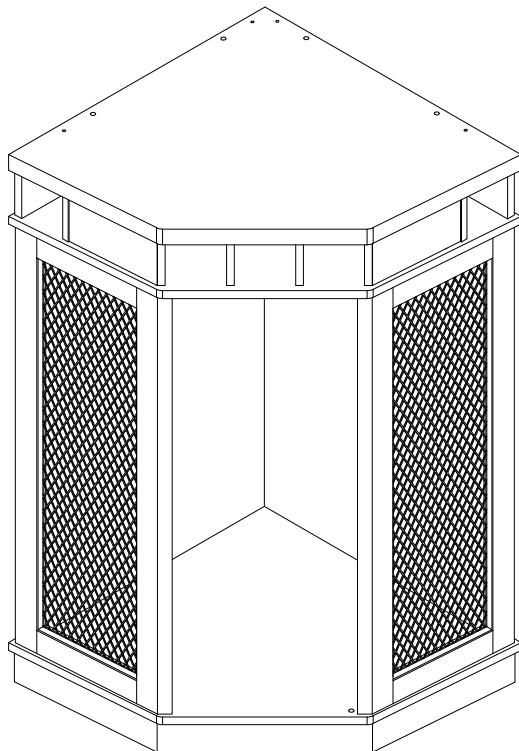
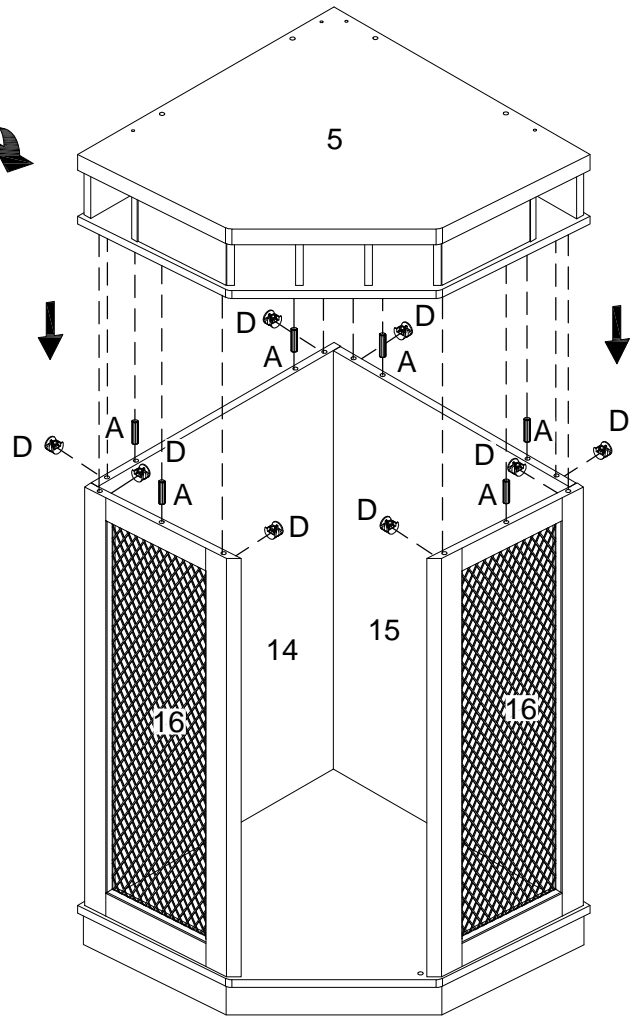
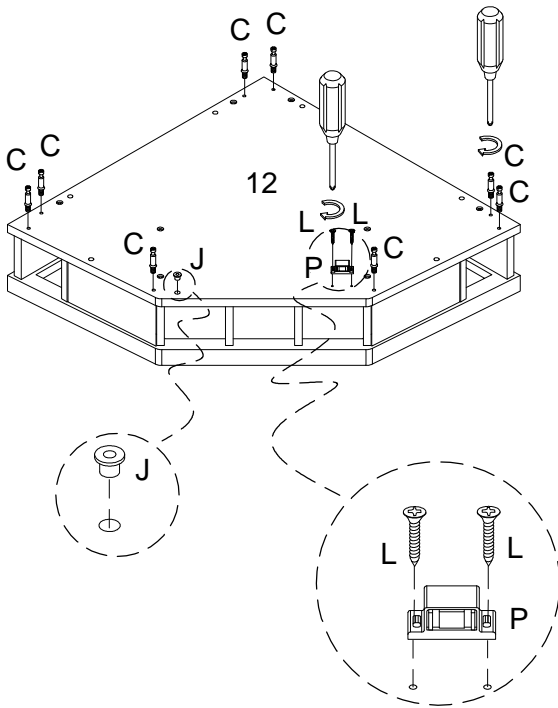
Step 5



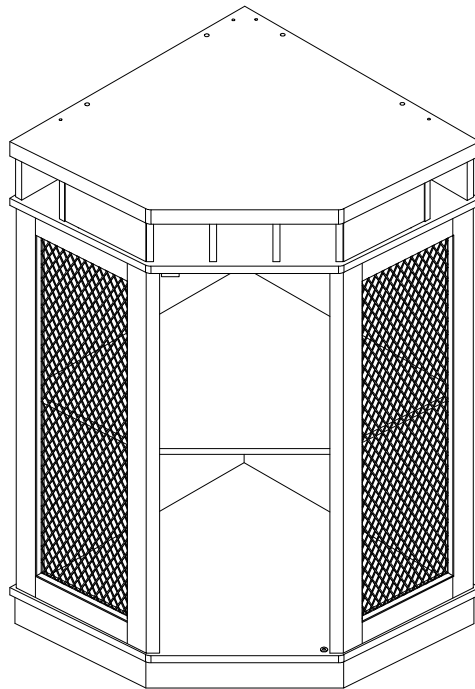
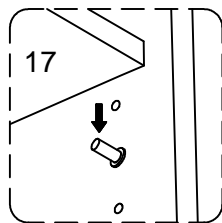
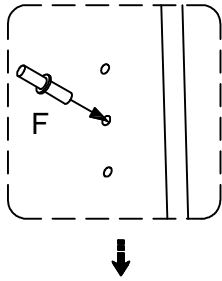
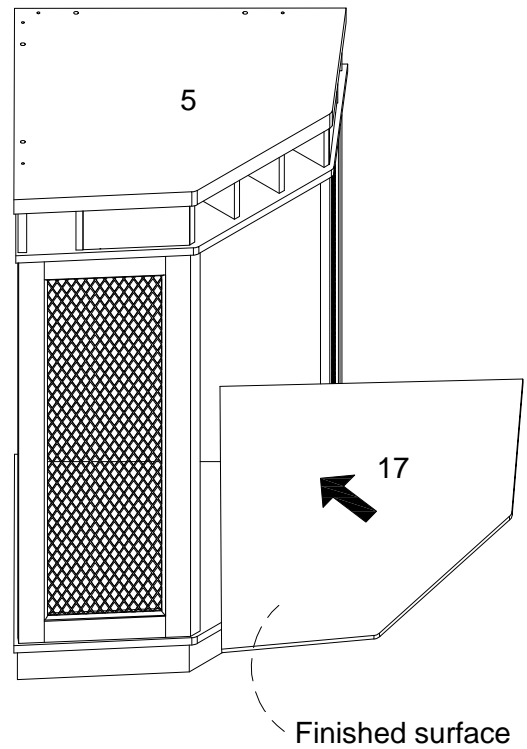
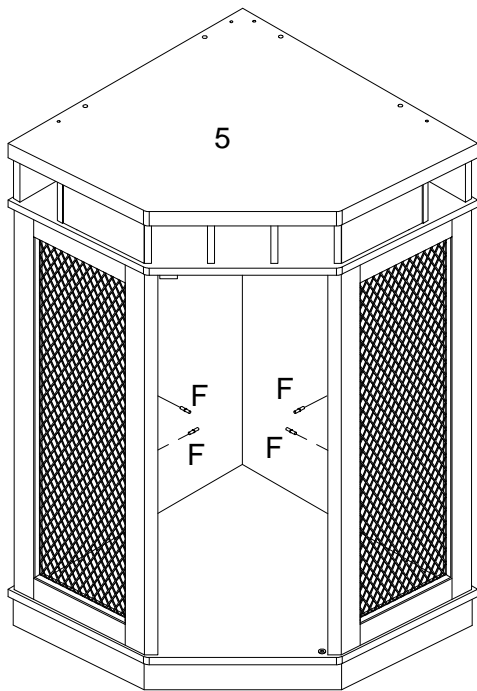
Step 6



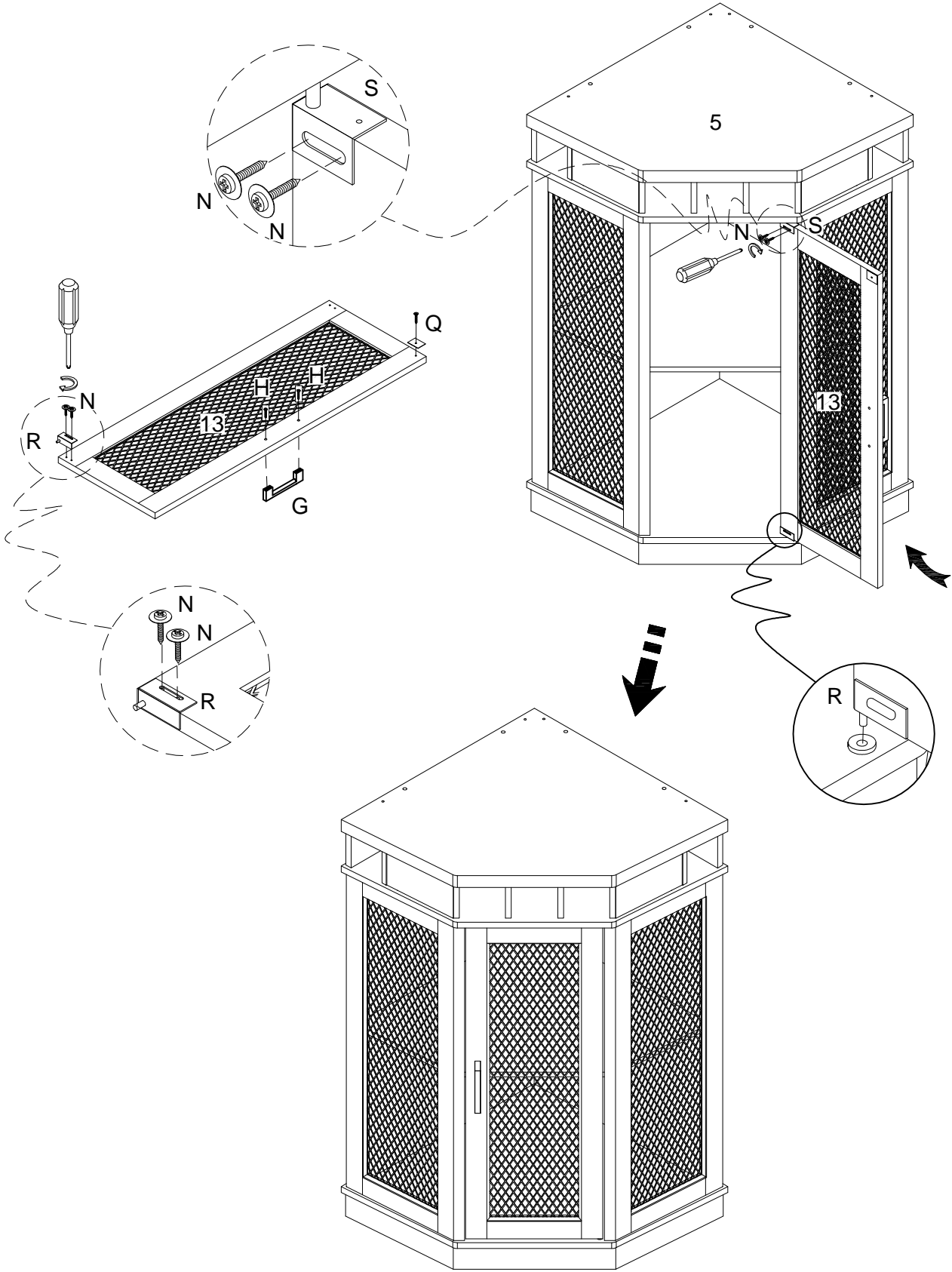
Step 7



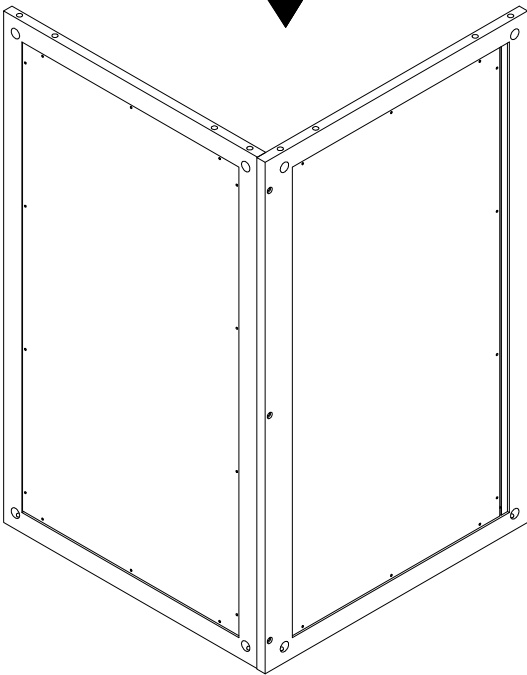
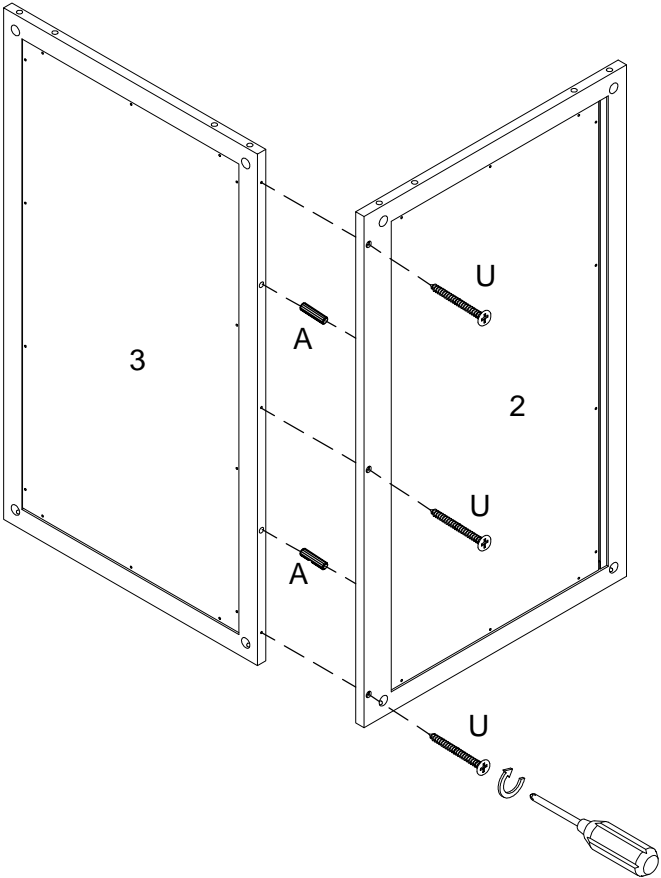
Step 8



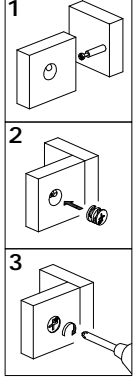
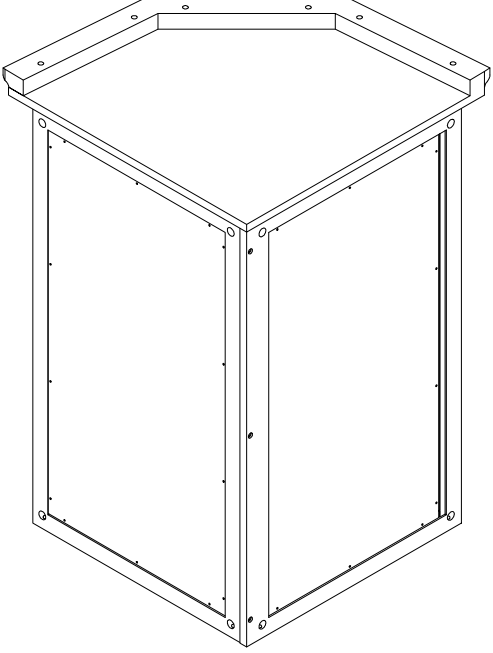
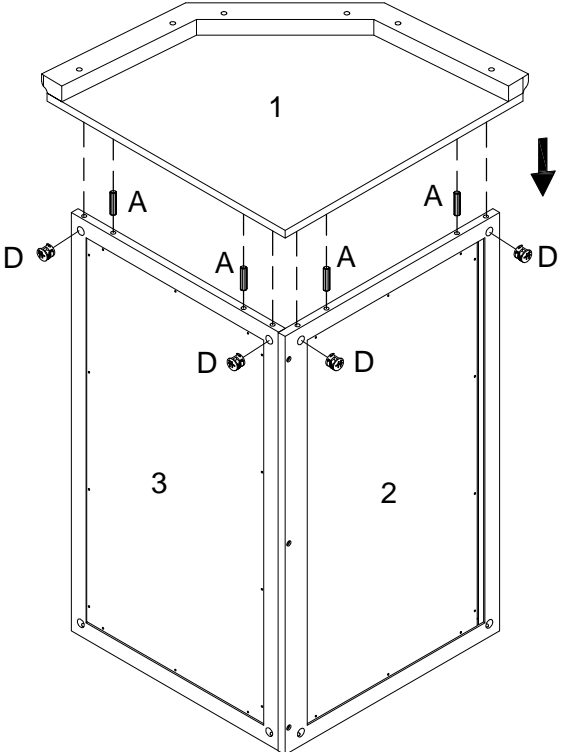
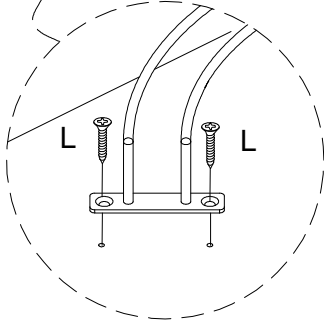
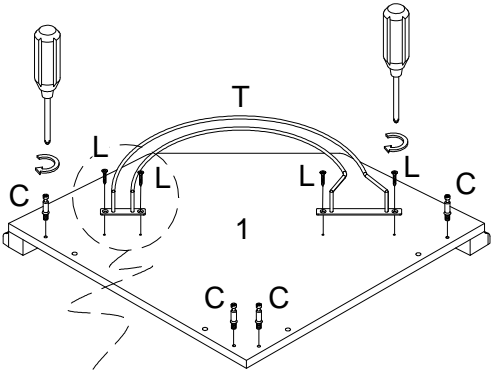
Step 9



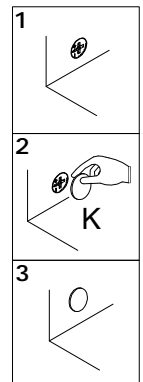
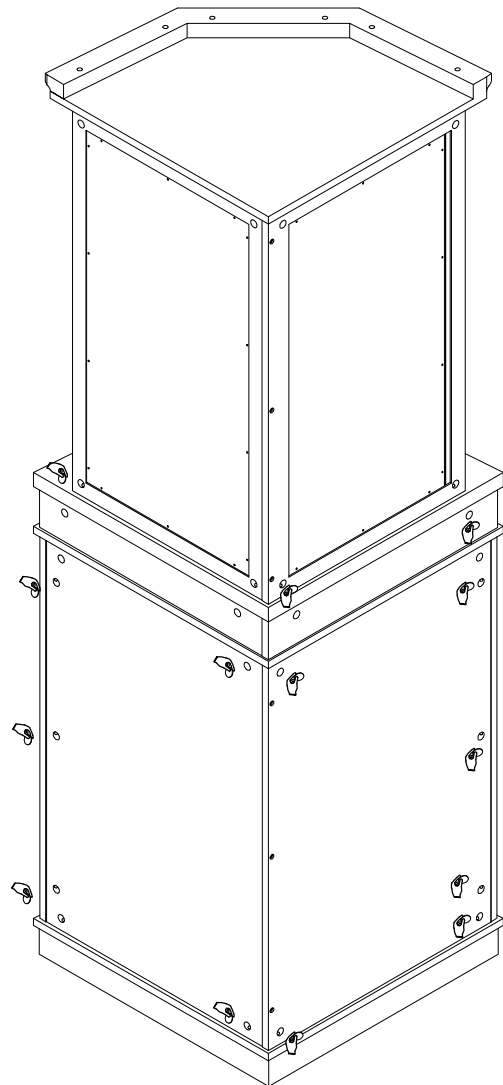
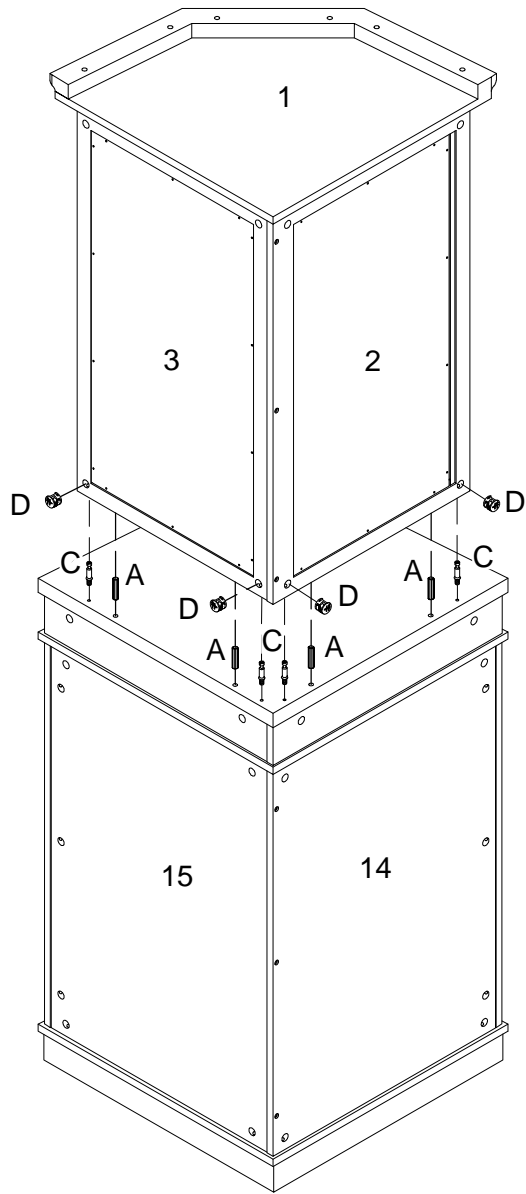
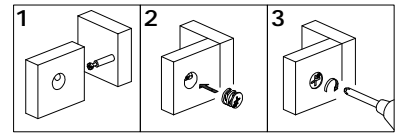
Step 10



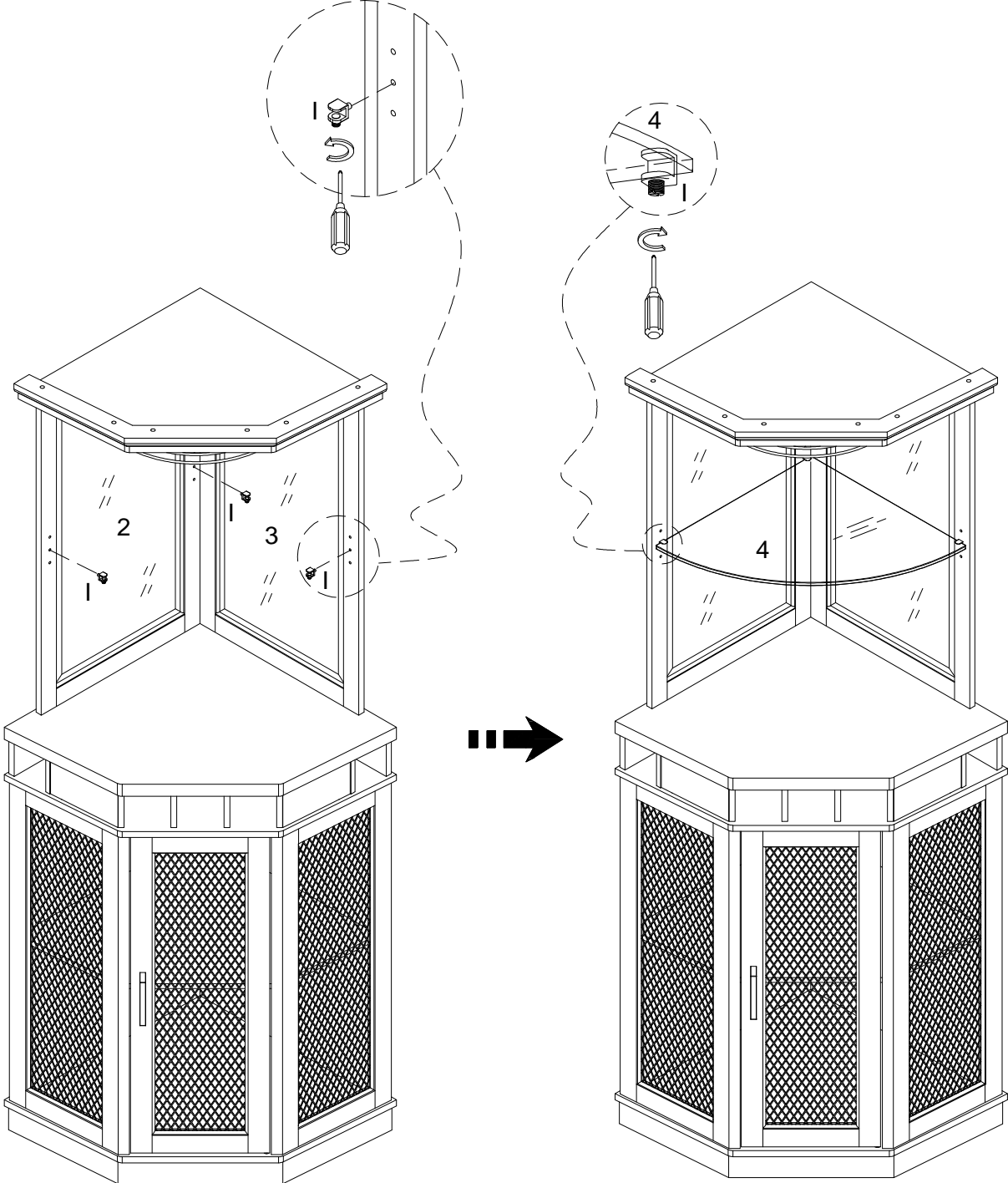
Step 11



Step 12

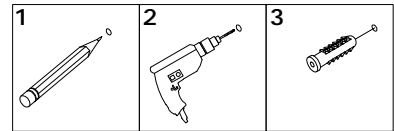


Step 13

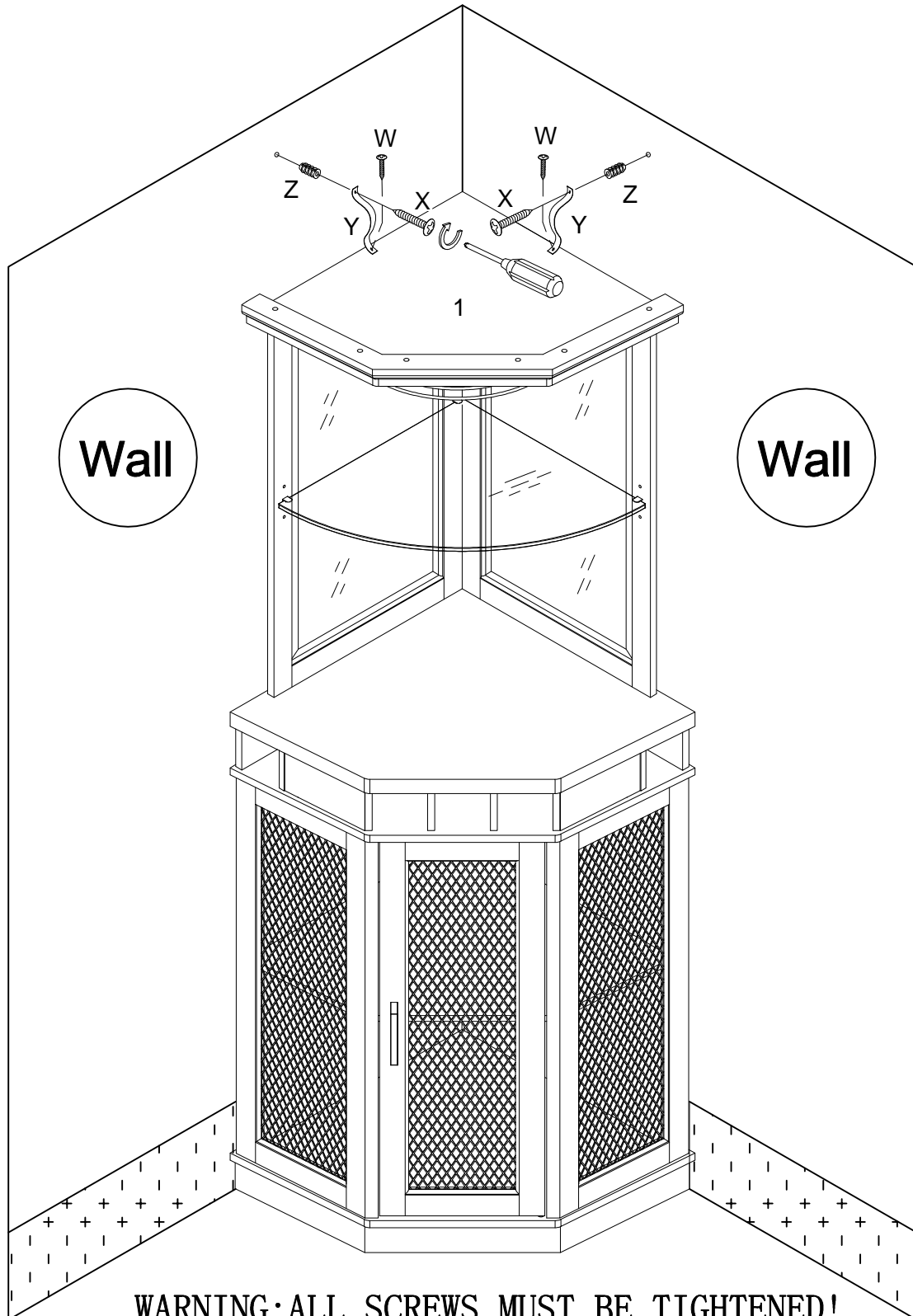


Step 14

WARNING



Serious or fatal injuries can occur from furniture tipping over. To prevent the furniture from tipping over we recommend that it is permanently fixed to the wall. Wall anchor and hardware are included with this product. Please make sure hardware is suitable for your walls before installing, as different wall materials may require different types of anchors.



WARNING: ALL SCREWS MUST BE TIGHTENED!