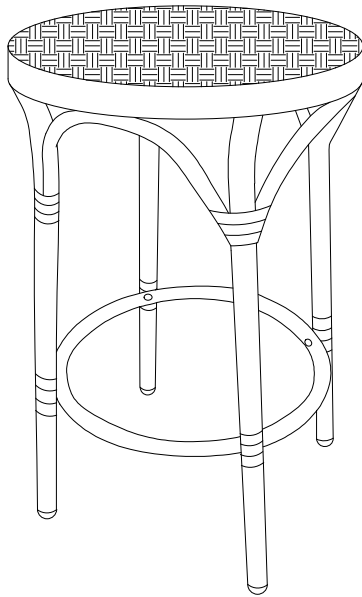


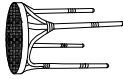
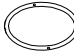
# ASSEMBLY INSTRUCTION

## Barstool






THANK YOU FOR PURCHASING

### Component List

LABEL		DESCRIPTION	QTY
A		Seat	1
B		Fixed frame	1

### Hardware List

LABEL		DESCRIPTION	QTY
C	 M6*30	Bolt	4
D	 M6	Washer	4
E	 M6	Hex wrench	1

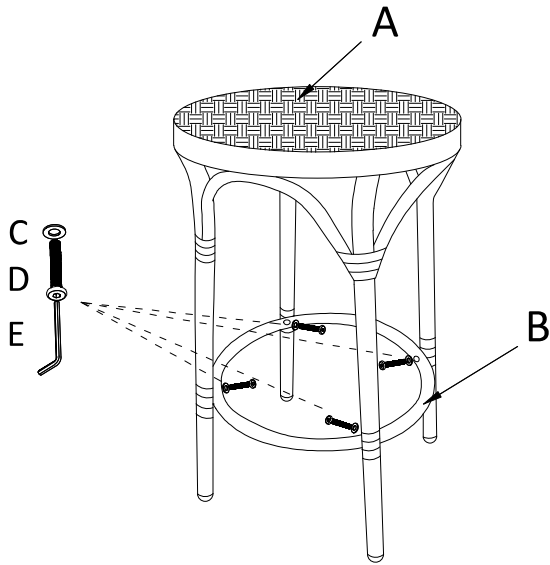
ATTENTION:

DO NOT tighten screws completely until assembly is completed;

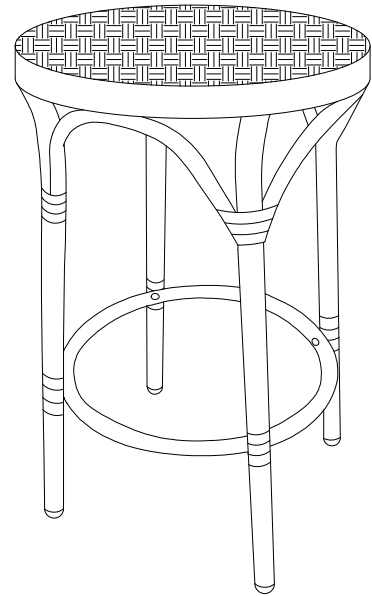
1

Cx4CS  
M6\*30(MM)

Dx4PCS  
M6



2



2

3