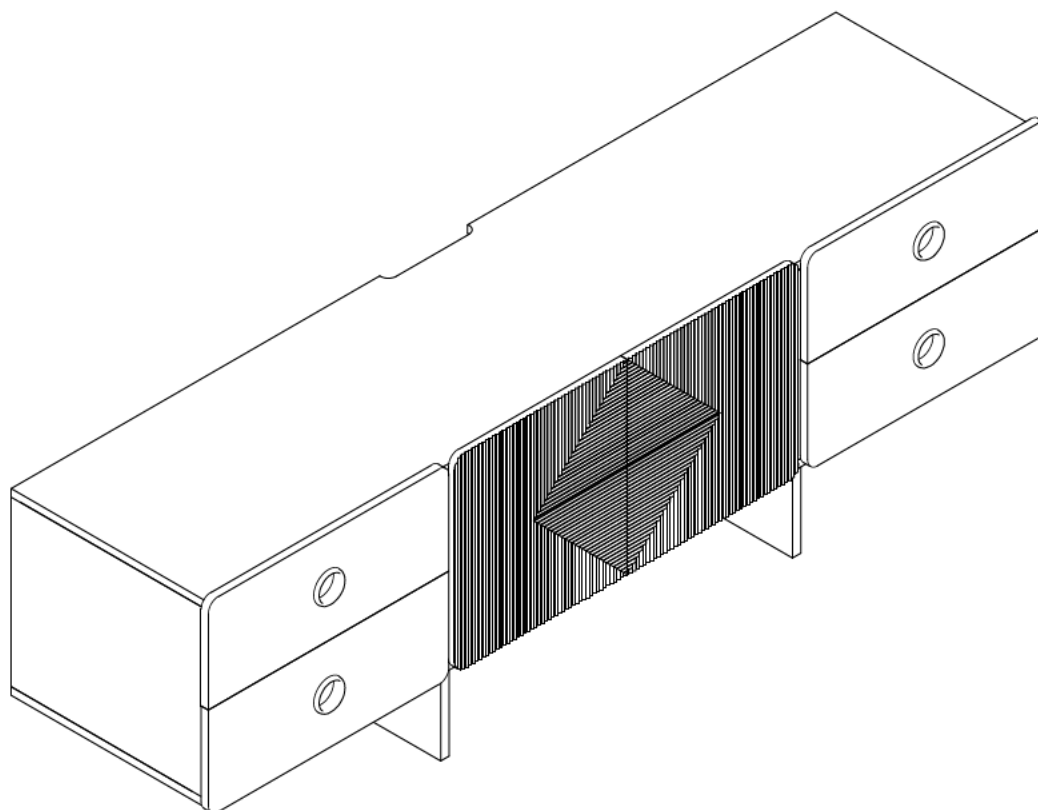


TV Stand



Do Not Return This Product!

Contact our customer service team
for help first.

WARNING

- Unit can tip over causing severe injury or death.
- Anchor unit to stud in wall (if instructed to)
- Do Not allow children to climb on unit.
- put heavy items on lower shelves or drawers.

**PEOPLE NEEDED
FOR ASSEMBL:2**

CONTACT US!

Do NOT return this product!

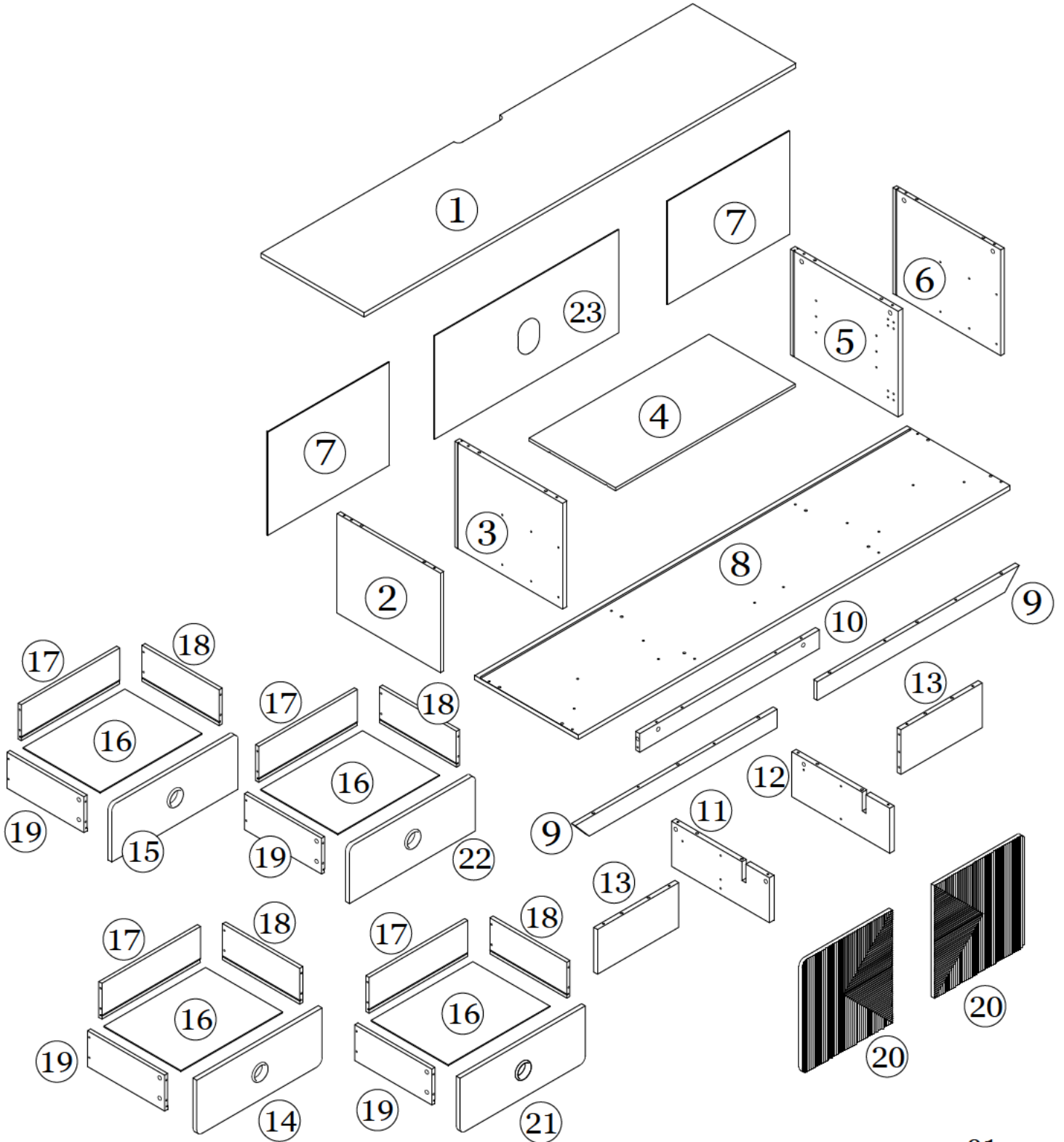
Contact our friendly customer service team first for help.

- Open your item in the area you plan to keep it to avoid excessive heavy lifting.
- Identify,sort and count the parts before attempting assembly.
- Back panel must be used to make sure your unit is sturdy.
- Do NOT use harsh chemicals or abrasive cleaners on this item.
- Never push,pull,or drag your furniture.

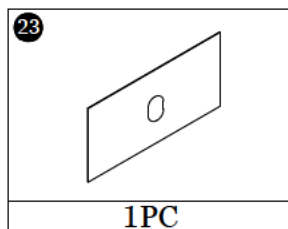
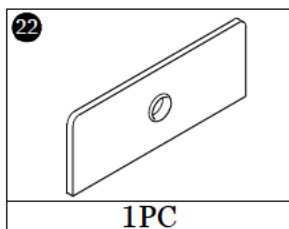
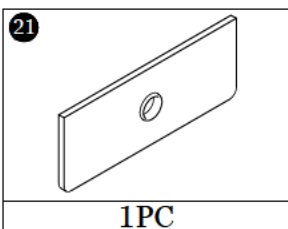
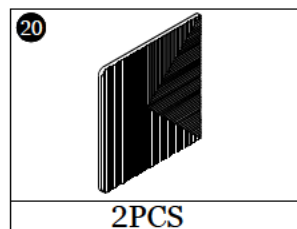
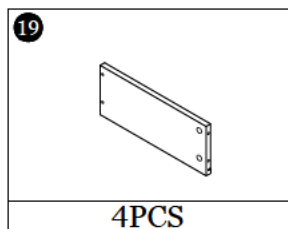
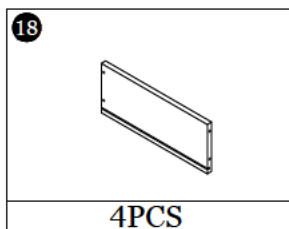
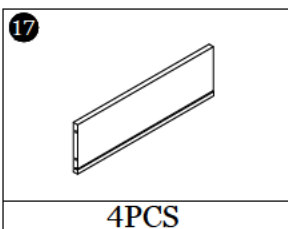
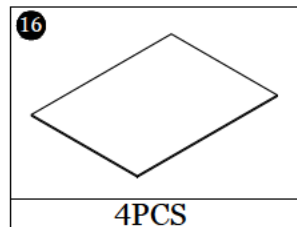
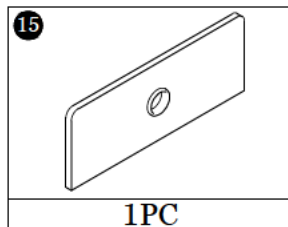
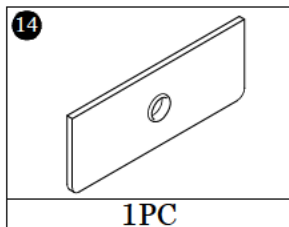
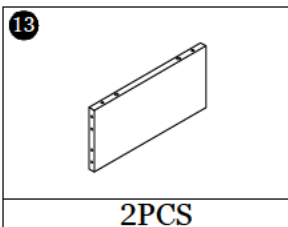
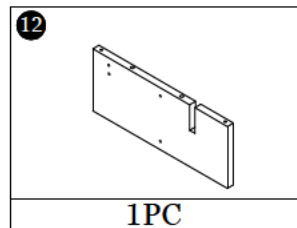
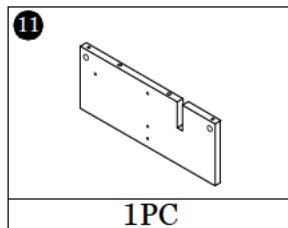
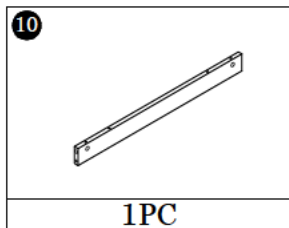
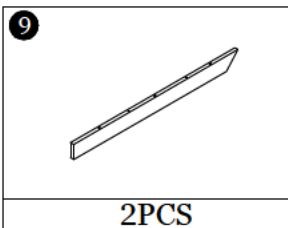
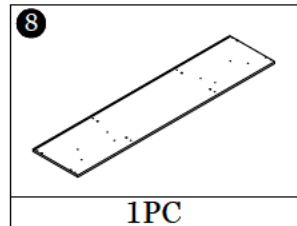
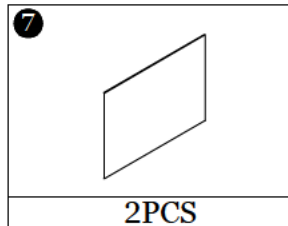
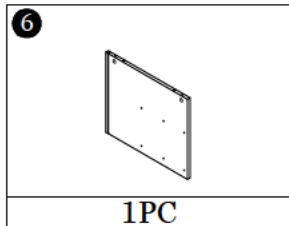
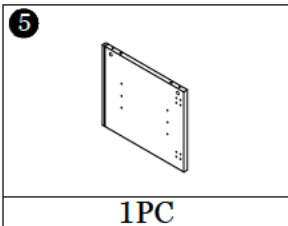
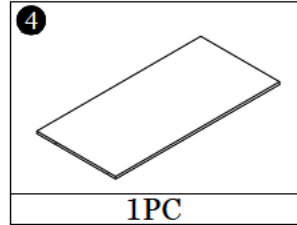
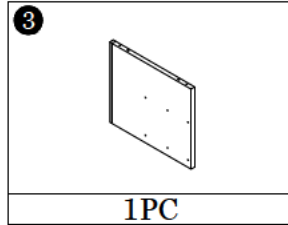
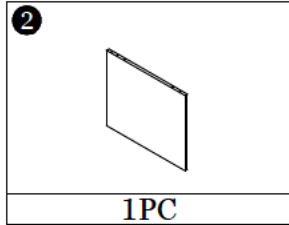
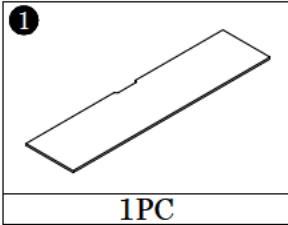
BEFORE YOU START

- ✓ Read through each step carefully and follow the proper order
 - ✓ Separate and count all your parts and hardware
 - ✓ Give yourself enough room for the assembly process
 - ✓ Have the following tools: Flat Head Screwdriver □ #2 Phillips Head Screwdriver and Hammer
 - ✓ Caution: IF using a power drill or power screwdriver for screwing □ please be aware to slow down and stop when screw is tight. Failure to do so may result in stripping the screw.
-

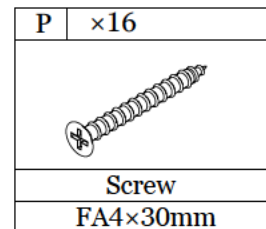
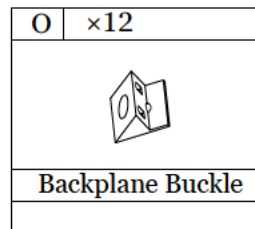
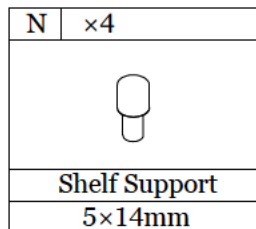
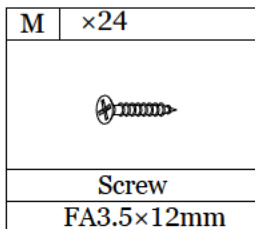
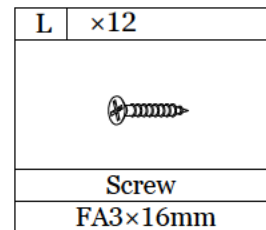
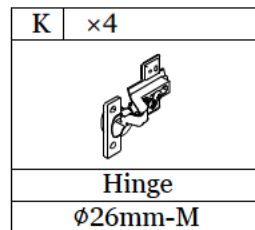
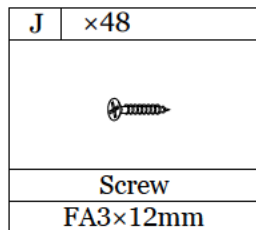
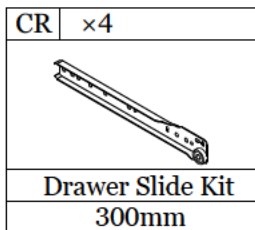
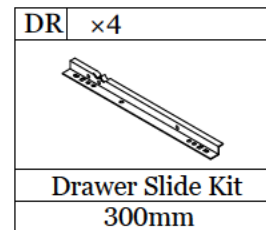
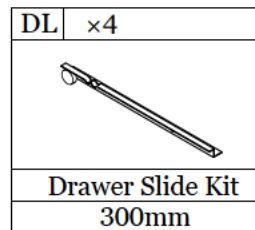
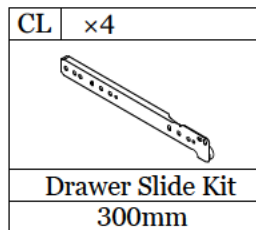
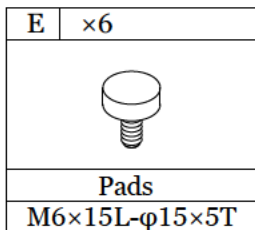
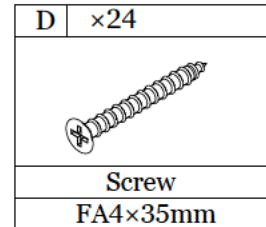
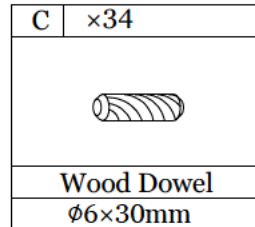
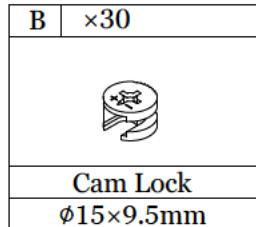
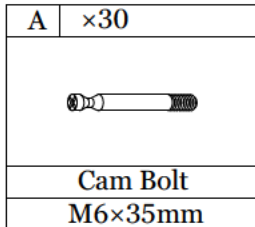
BOARD IDENTIFICATION



BOARD IDENTIFICATION



THE HARDWARES



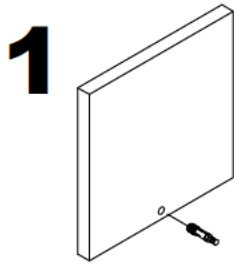
IMPORTANT :



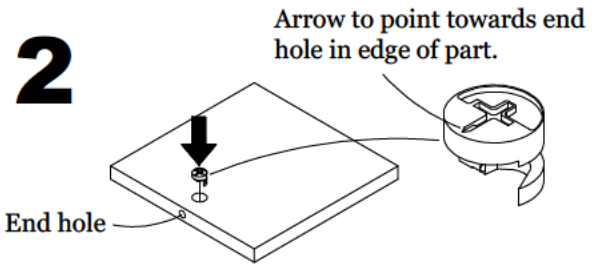
1. Do not tighten bolts / screws completely until all bolts / screws are lined up and inserted into holes.
2. Do not over tighten screws and bolts to avoid stripping.
3. Please use hand tools to assemble this product. Do not use power tools.

CAM LOCK FASTENING SYSTEM

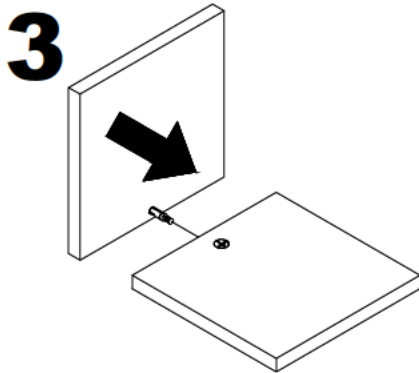
This Cam Lock Fastening System will be used throughout the assembly process.



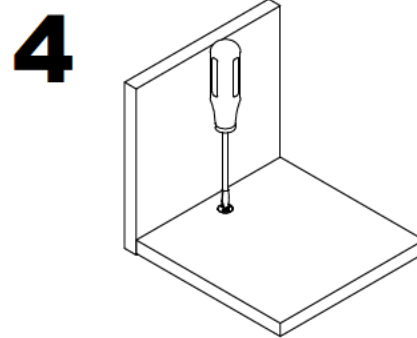
1
Press CAM BOLT into hole.



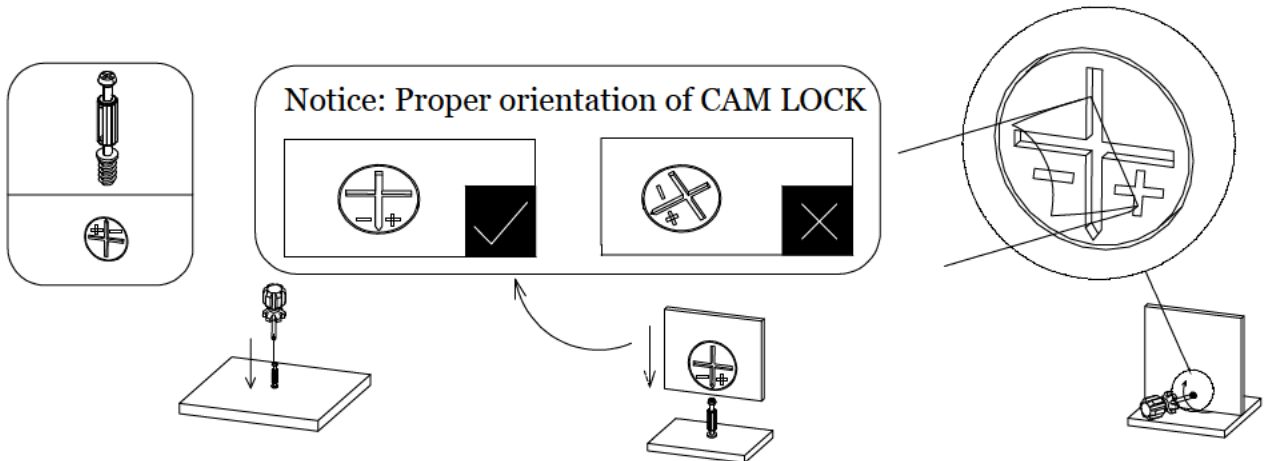
2
Press CAM LOCK into hole.



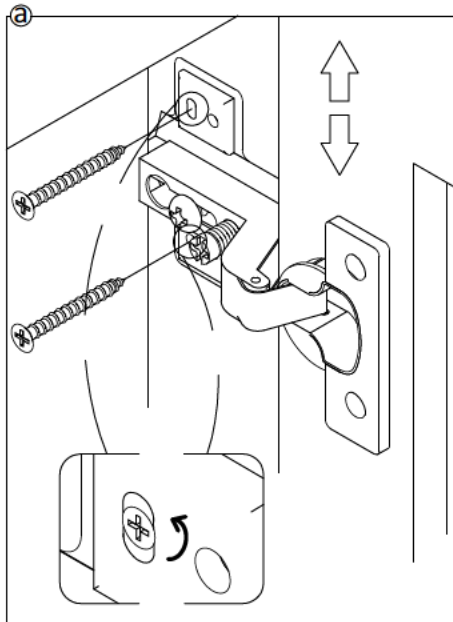
3
Press parts together so CAM BOLT inserts into edge hole.



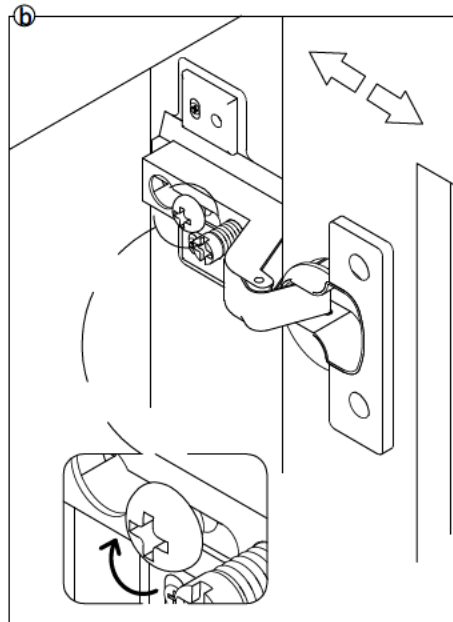
4
Using a screwdriver, turn the CAM LOCK clockwise to lock the CAM LOCK and CAM BOLT into their holes and fastening parts together.



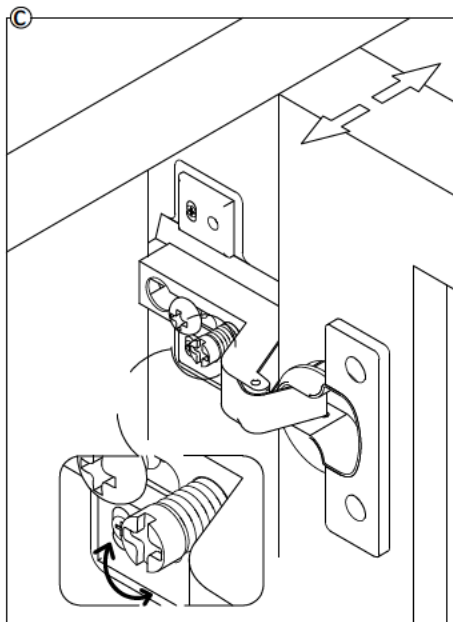
It may be necessary to adjust the hinges so that the doors align. Use the instructions below as a guide.



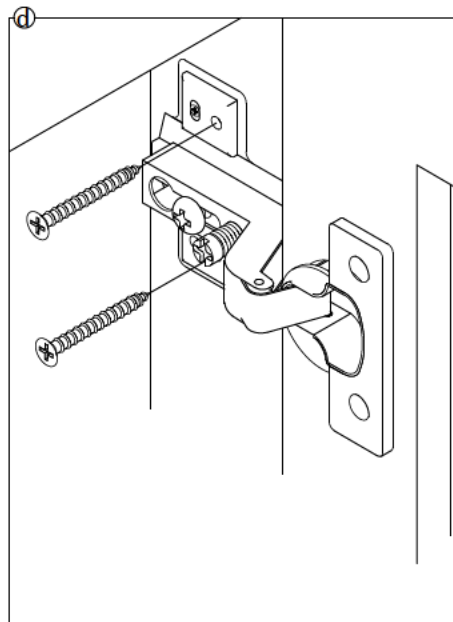
To adjust the door vertically loosen the screw as shown and move up and down as needed.



To adjust the gap from the door to the main frame turn the screw clockwise or anticlockwise as needed.



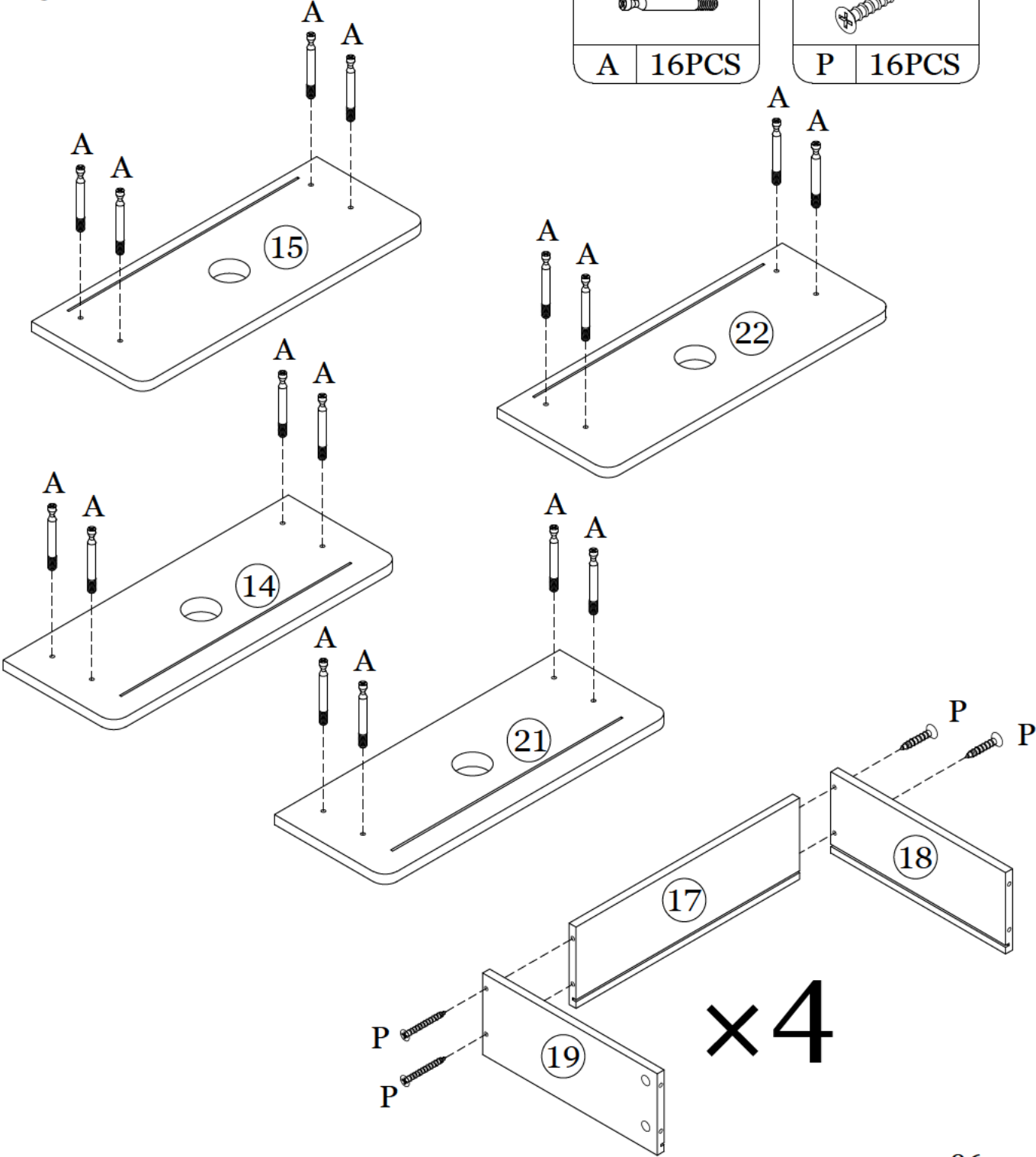
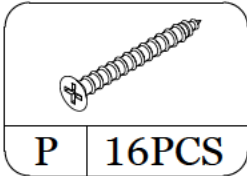
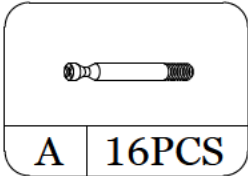
To adjust the door laterally (such as changing the gap between the two doors), please adjust the screw as shown by turning clockwise or anticlockwise.



Please fix other screws.


INSTALLATION STEPS

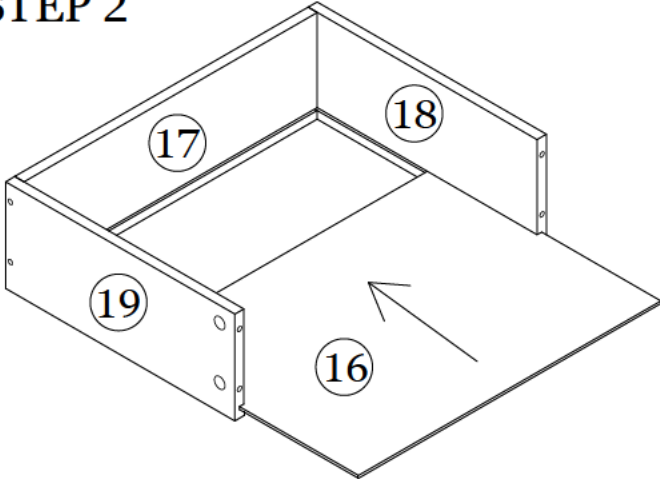
STEP 1



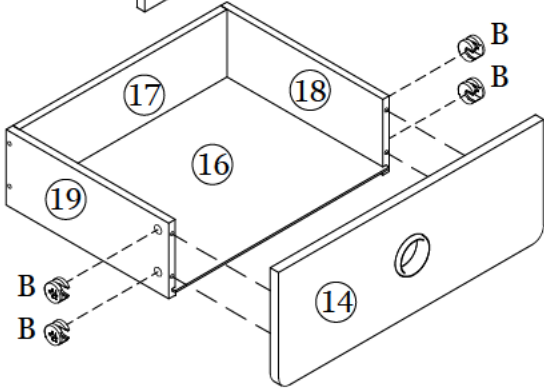
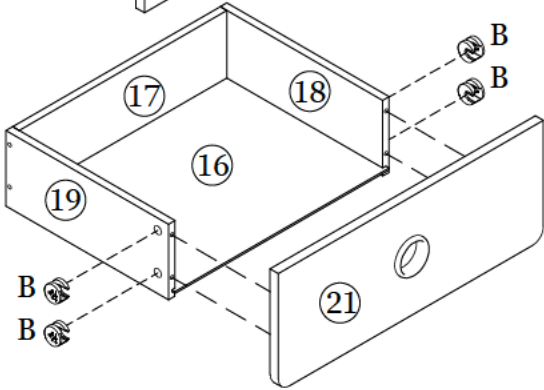
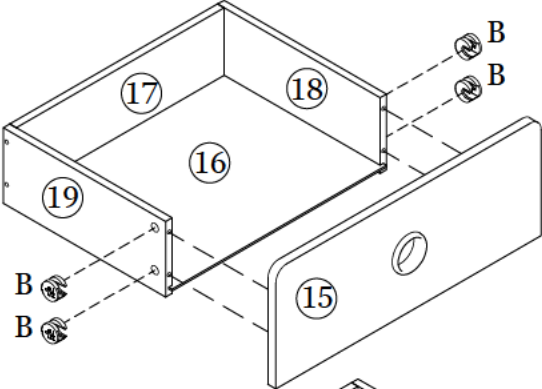
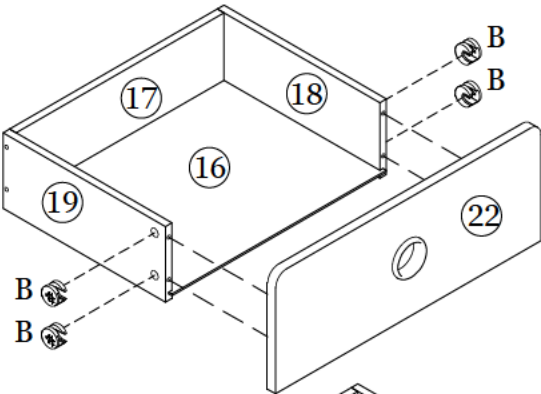
INSTALLATION STEPS

STEP 2

	
B	16PCS

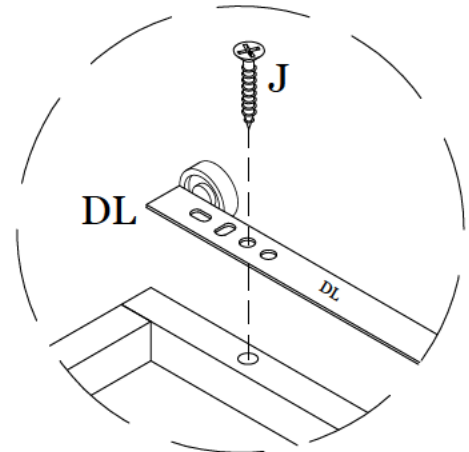
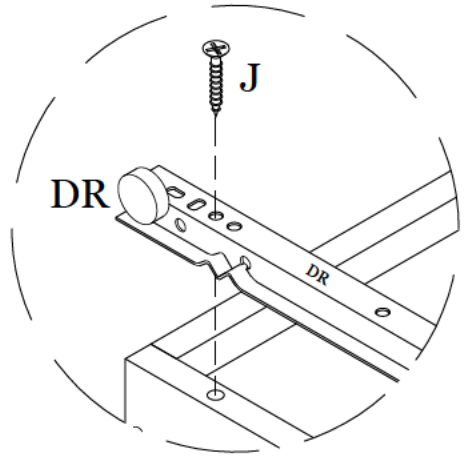
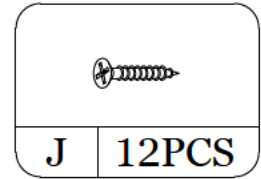
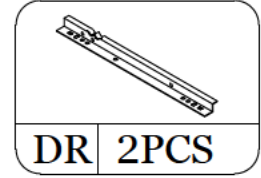
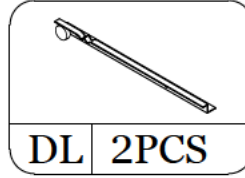
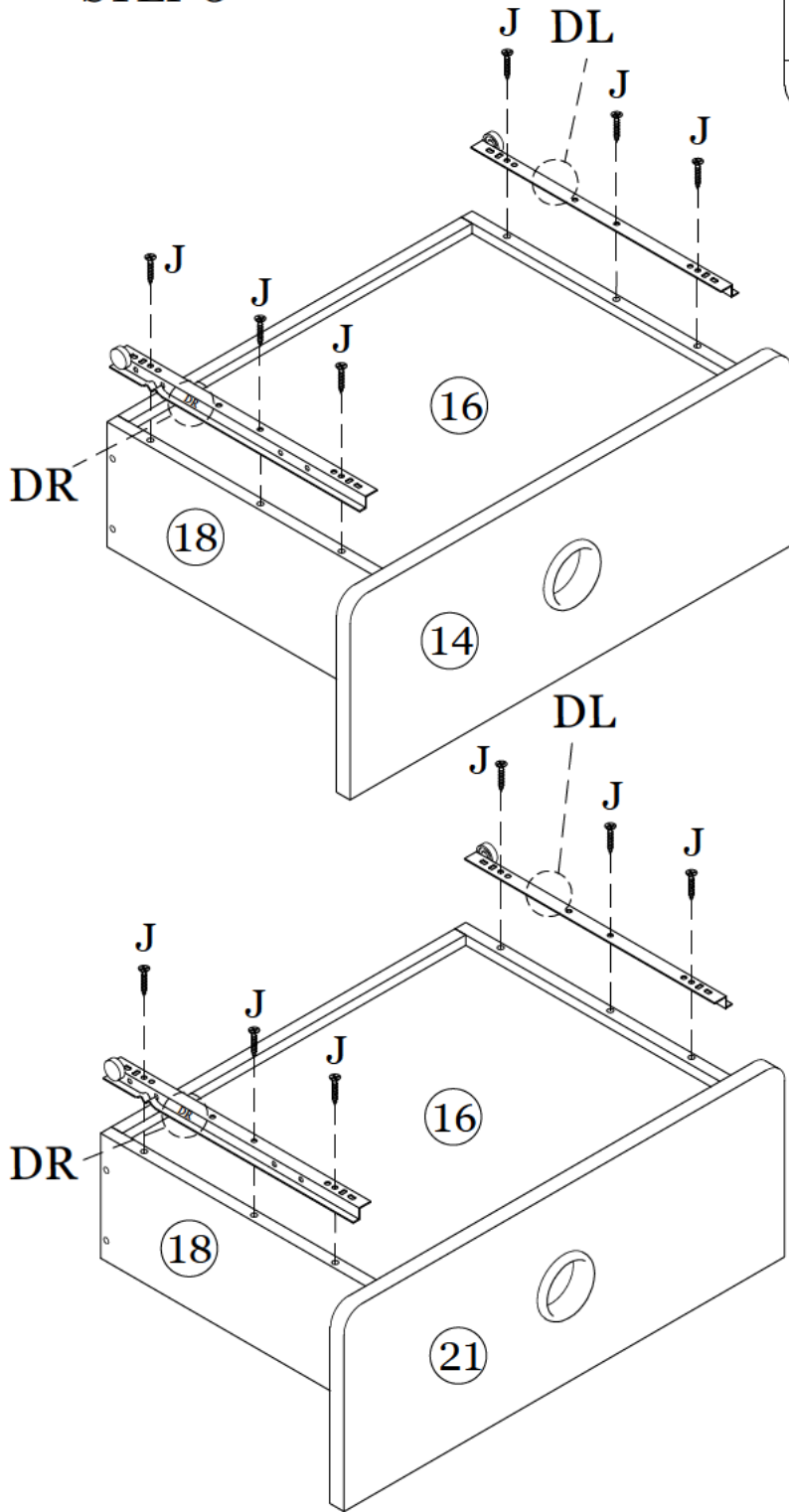


×4



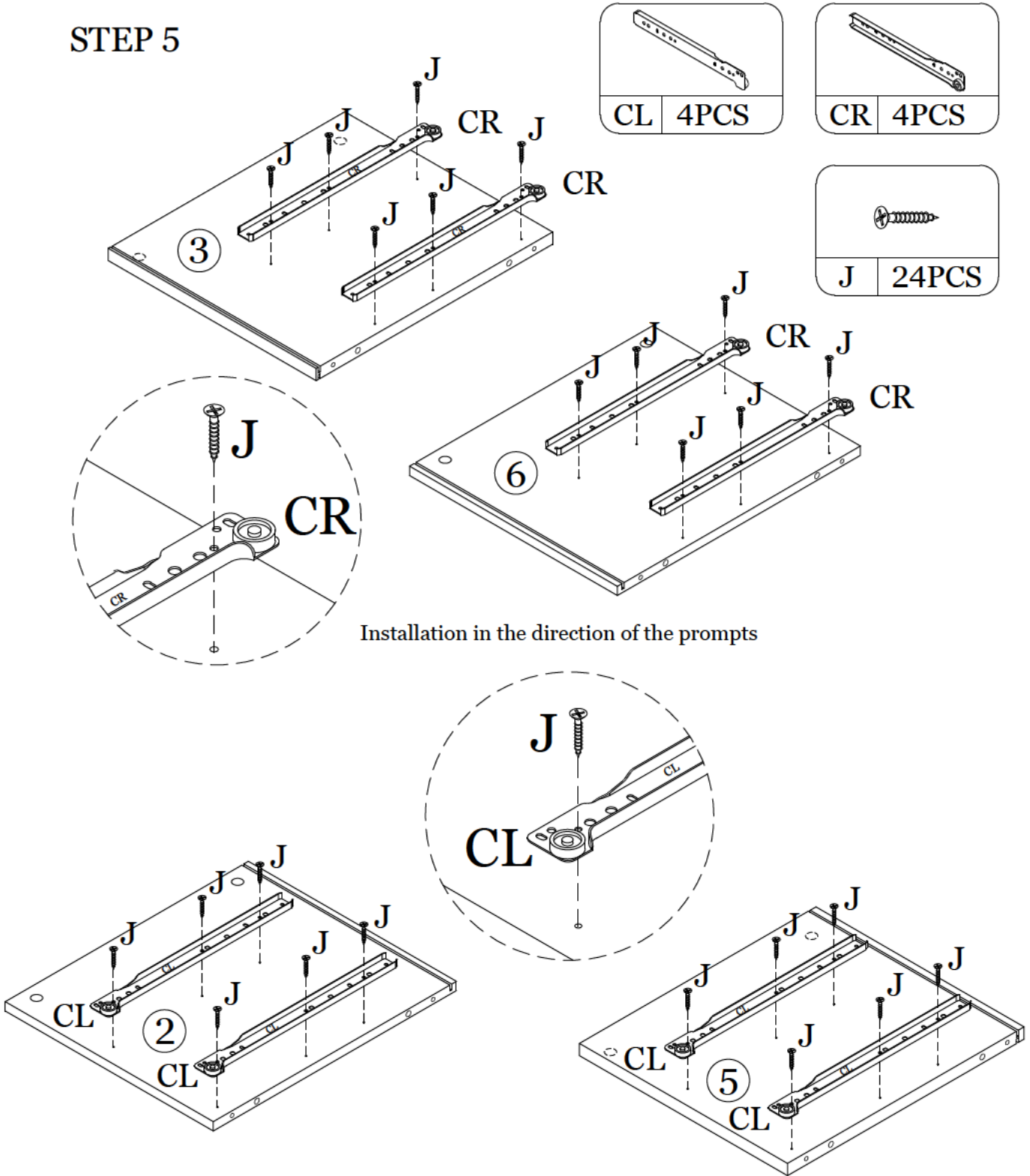
INSTALLATION STEPS

STEP 3



INSTALLATION STEPS

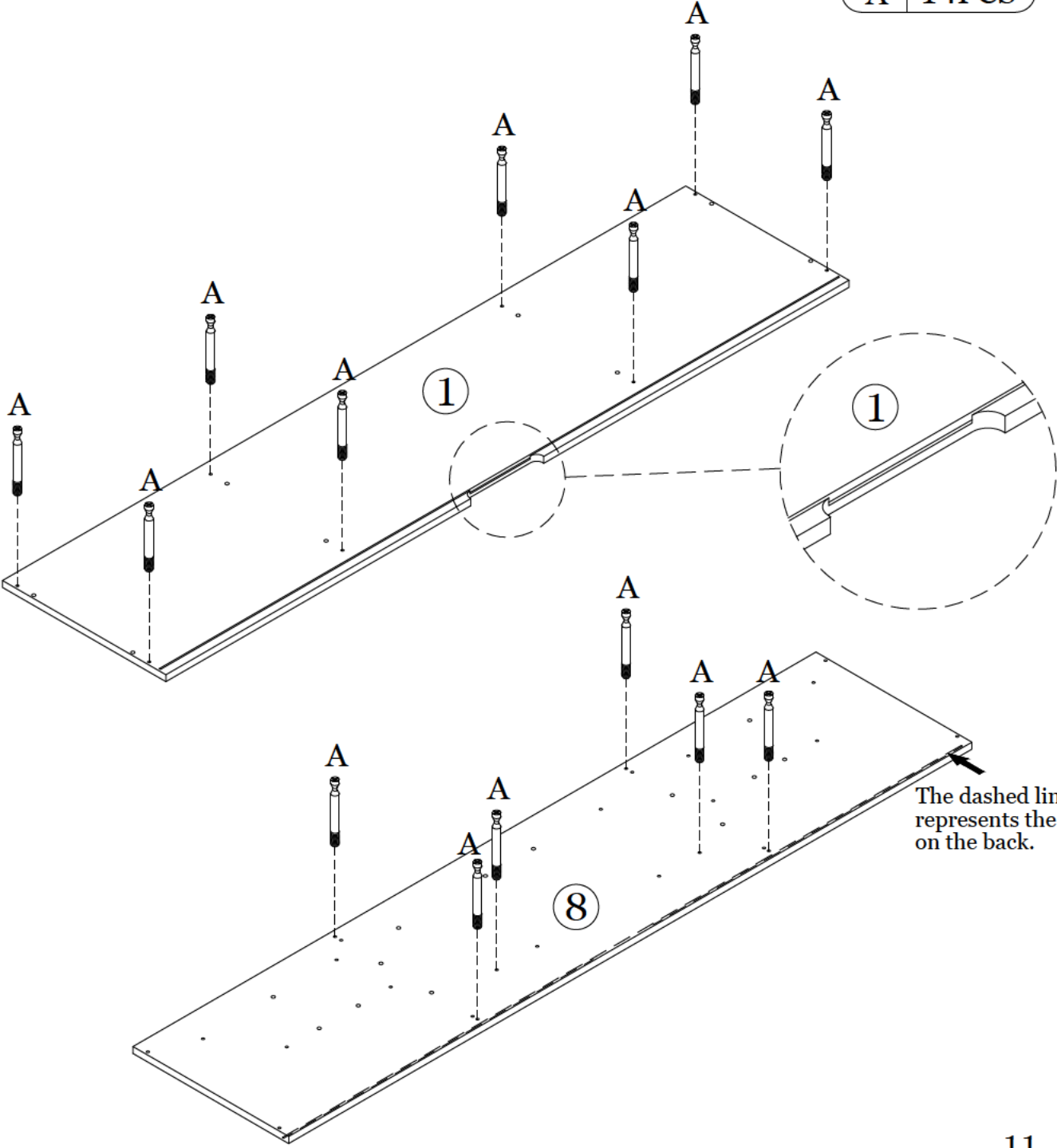
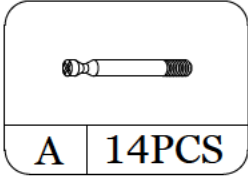
STEP 5



Installation in the direction of the prompts


INSTALLATION STEPS


STEP 6

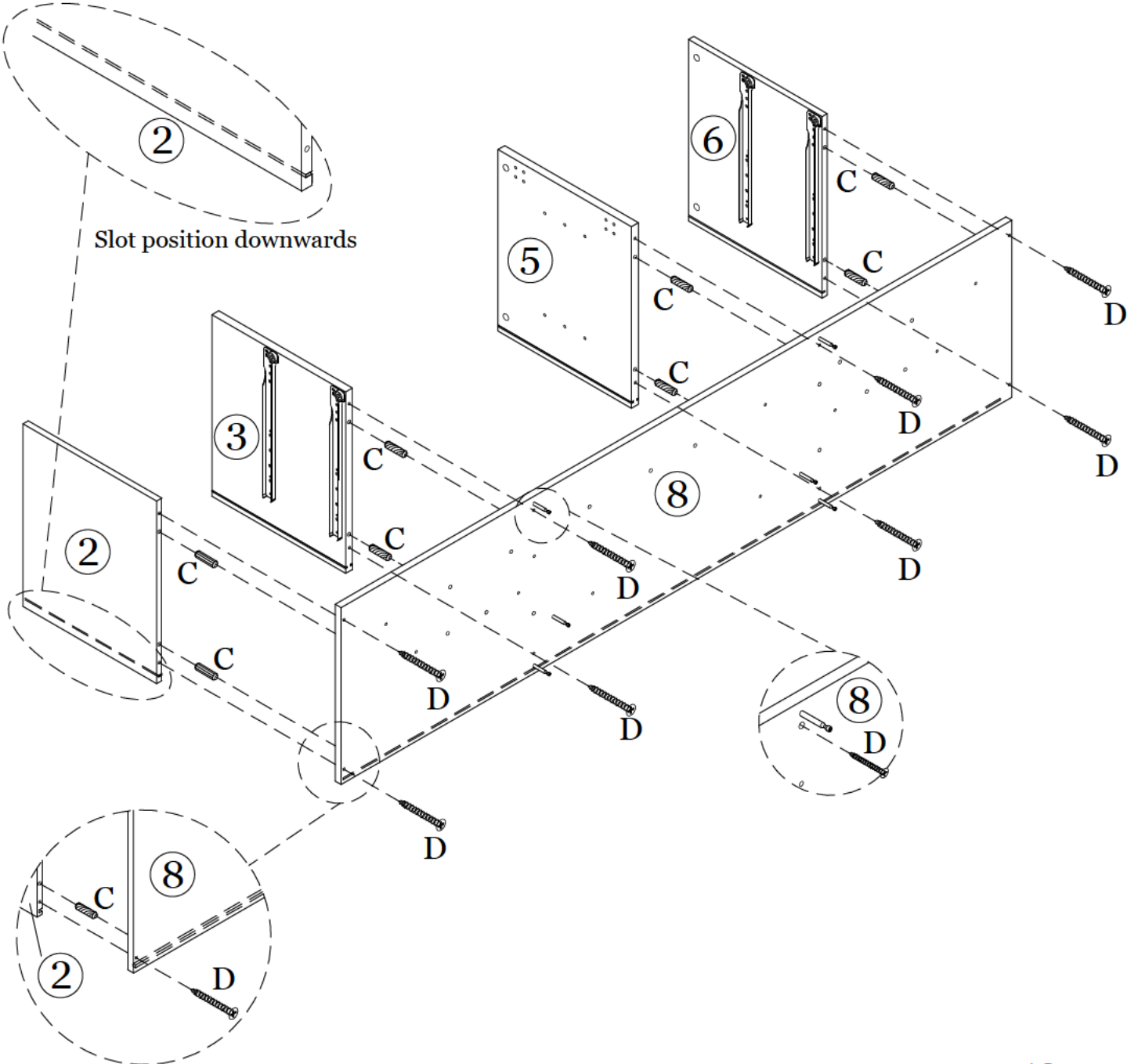


INSTALLATION STEPS

STEP 7

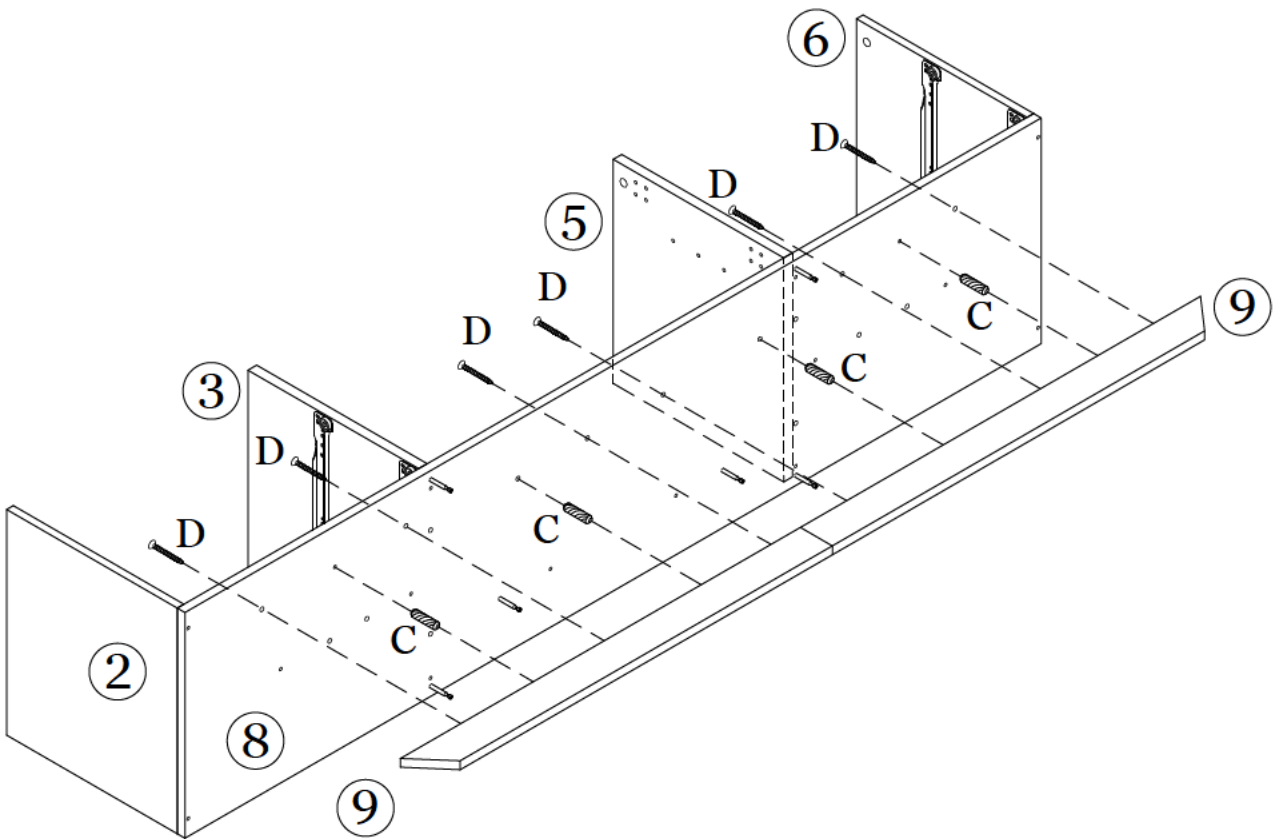
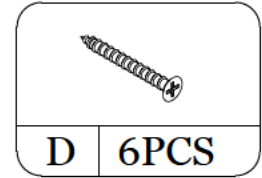
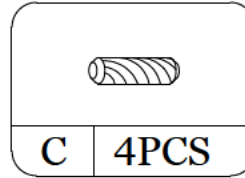

C 8PCS


D 8PCS



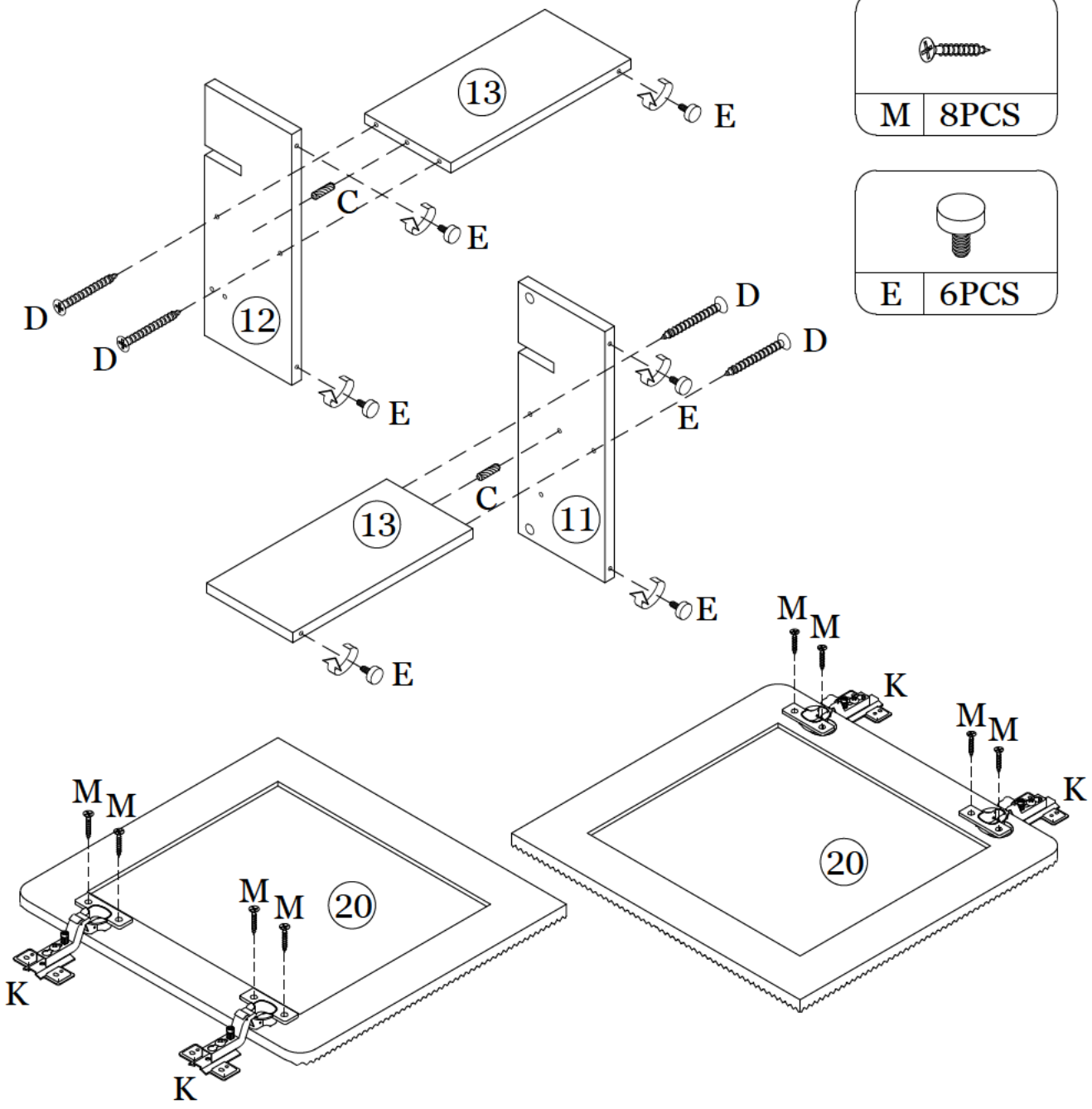
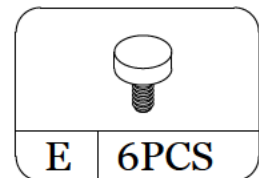
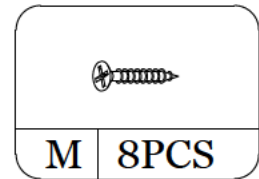
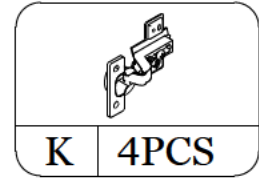
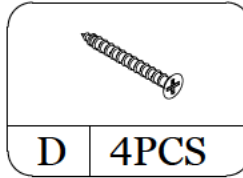
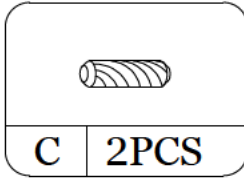
INSTALLATION STEPS

STEP 8



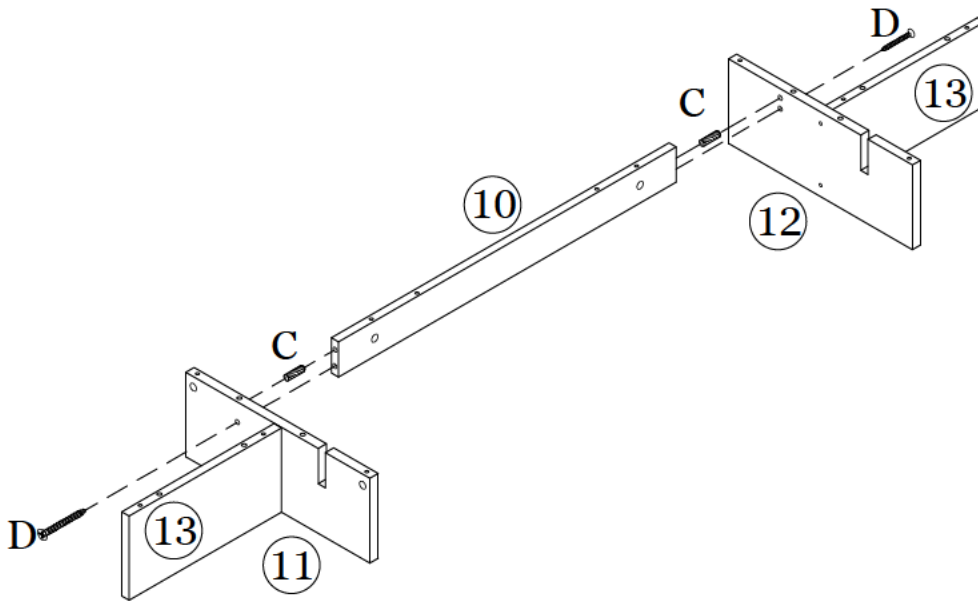
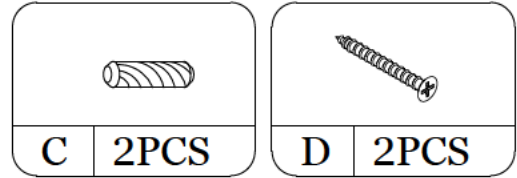
INSTALLATION STEPS

STEP 9



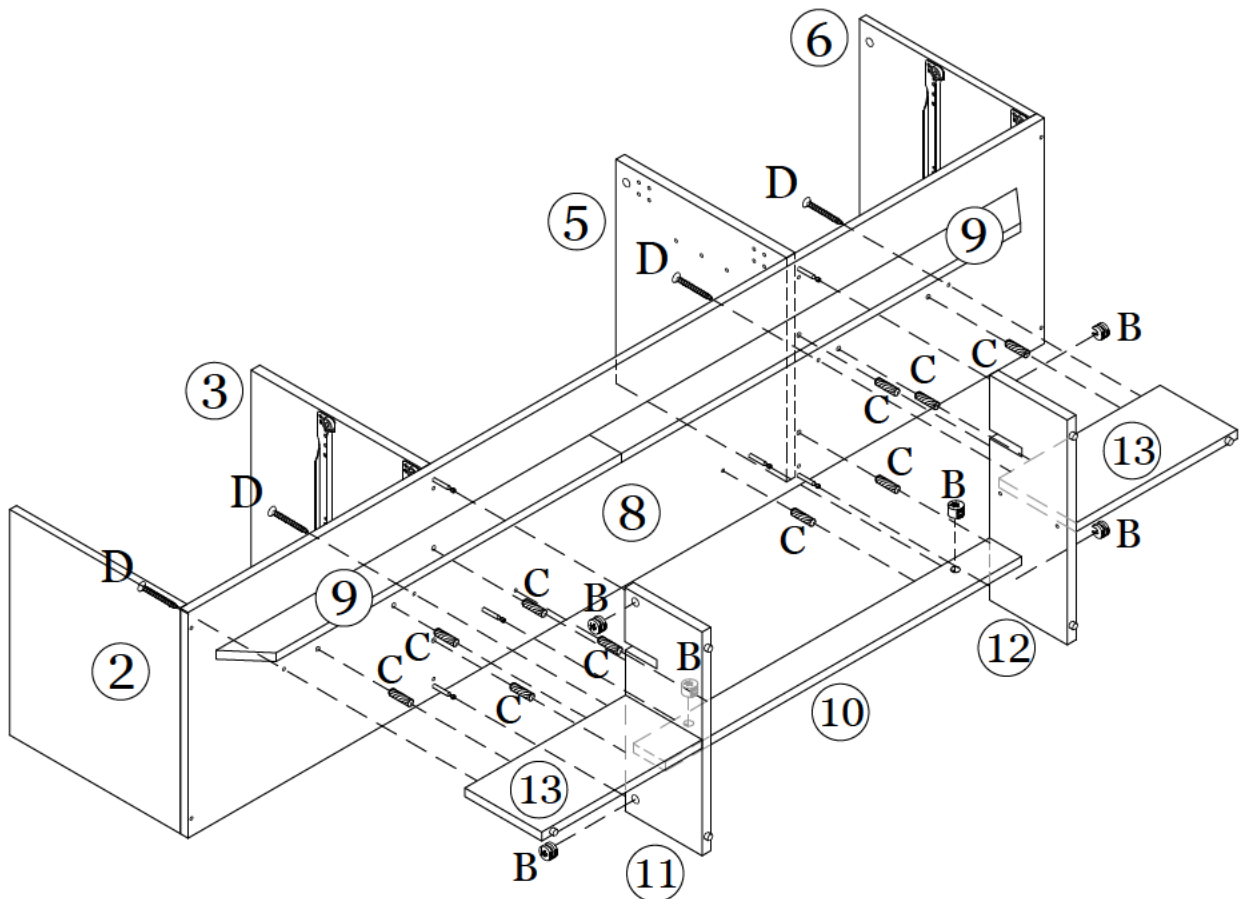
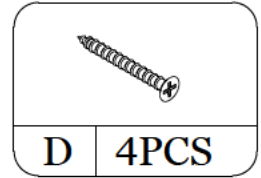
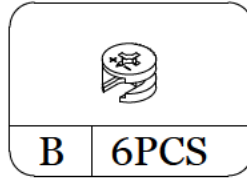
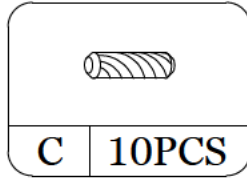
INSTALLATION STEPS

STEP 10



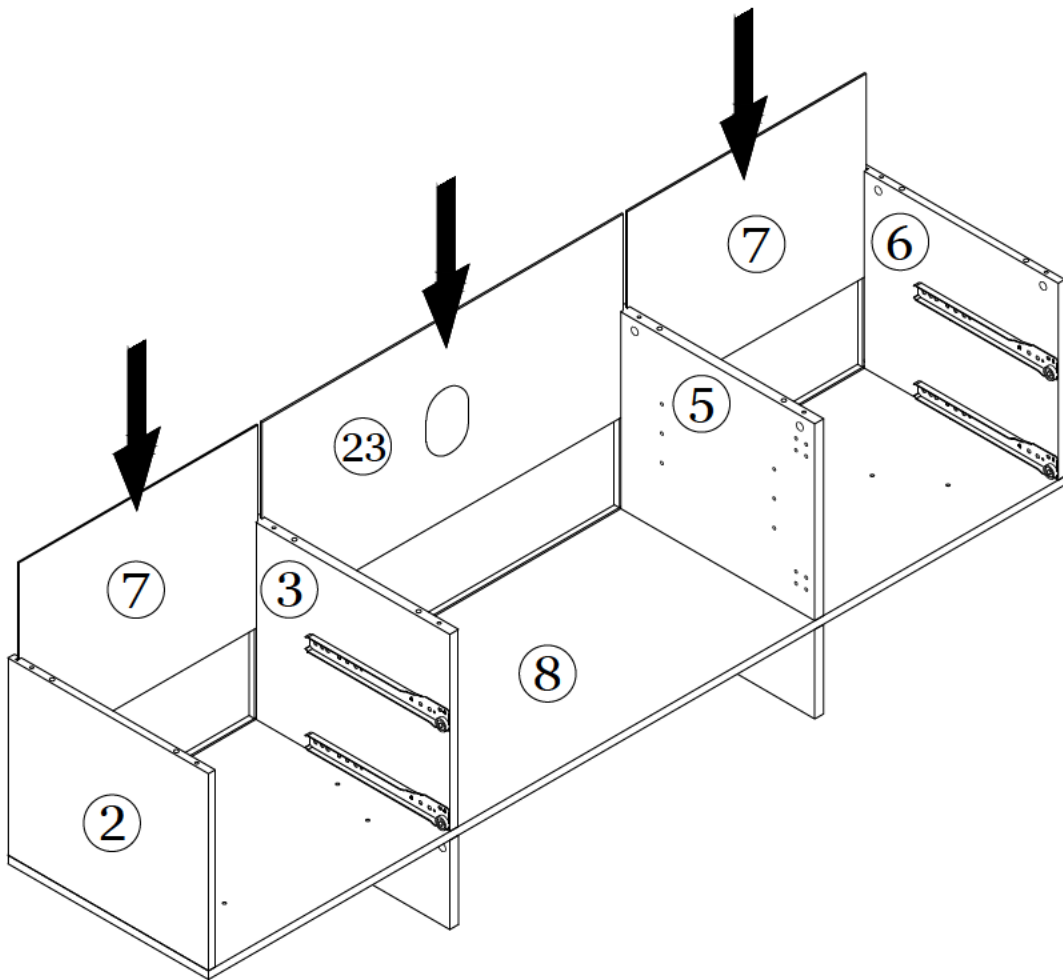
INSTALLATION STEPS

STEP 11



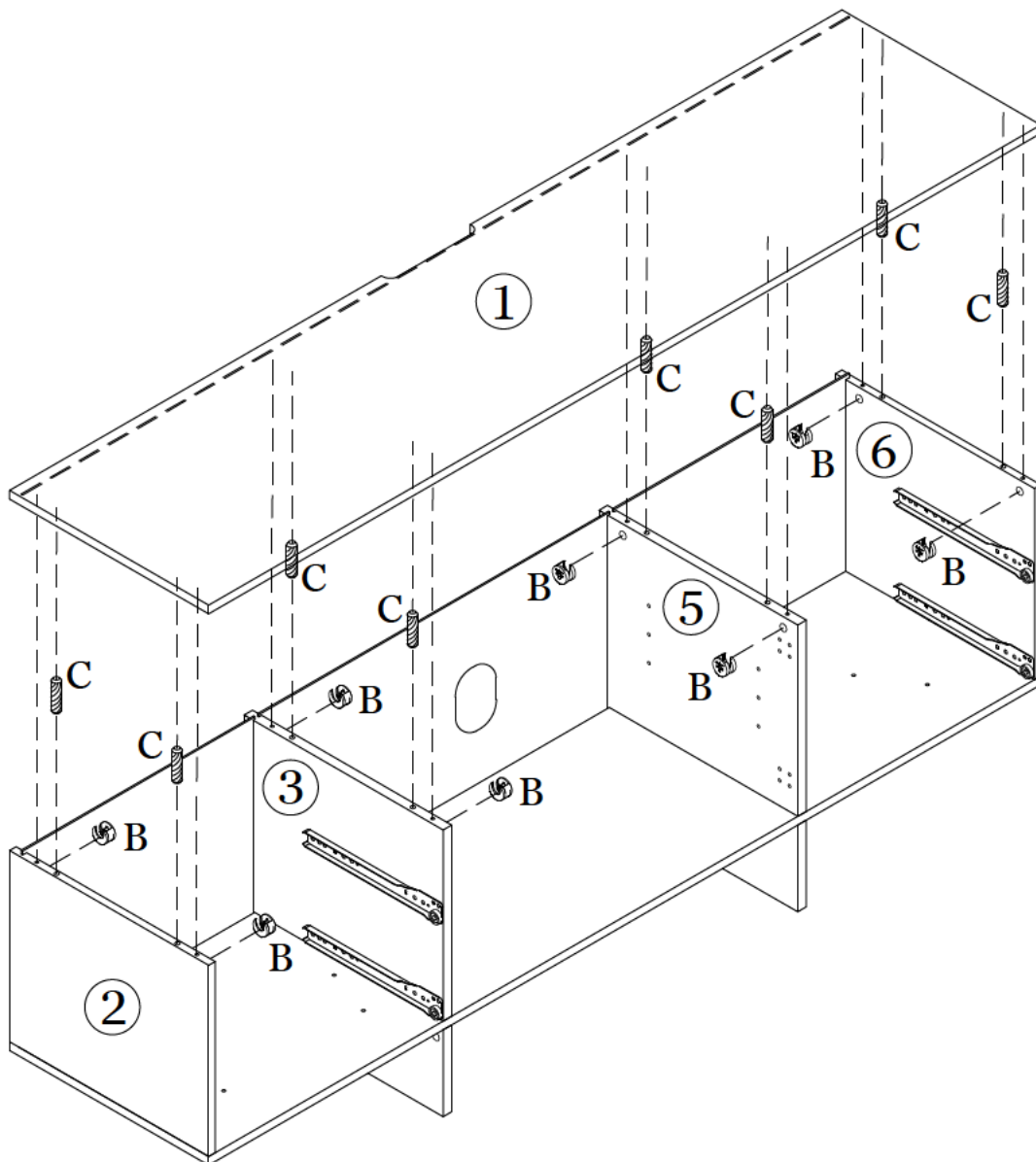
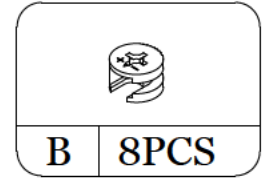
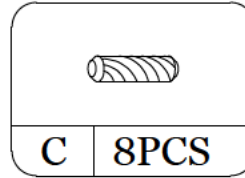
INSTALLATION STEPS

STEP 12




INSTALLATION STEPS

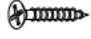
STEP 13

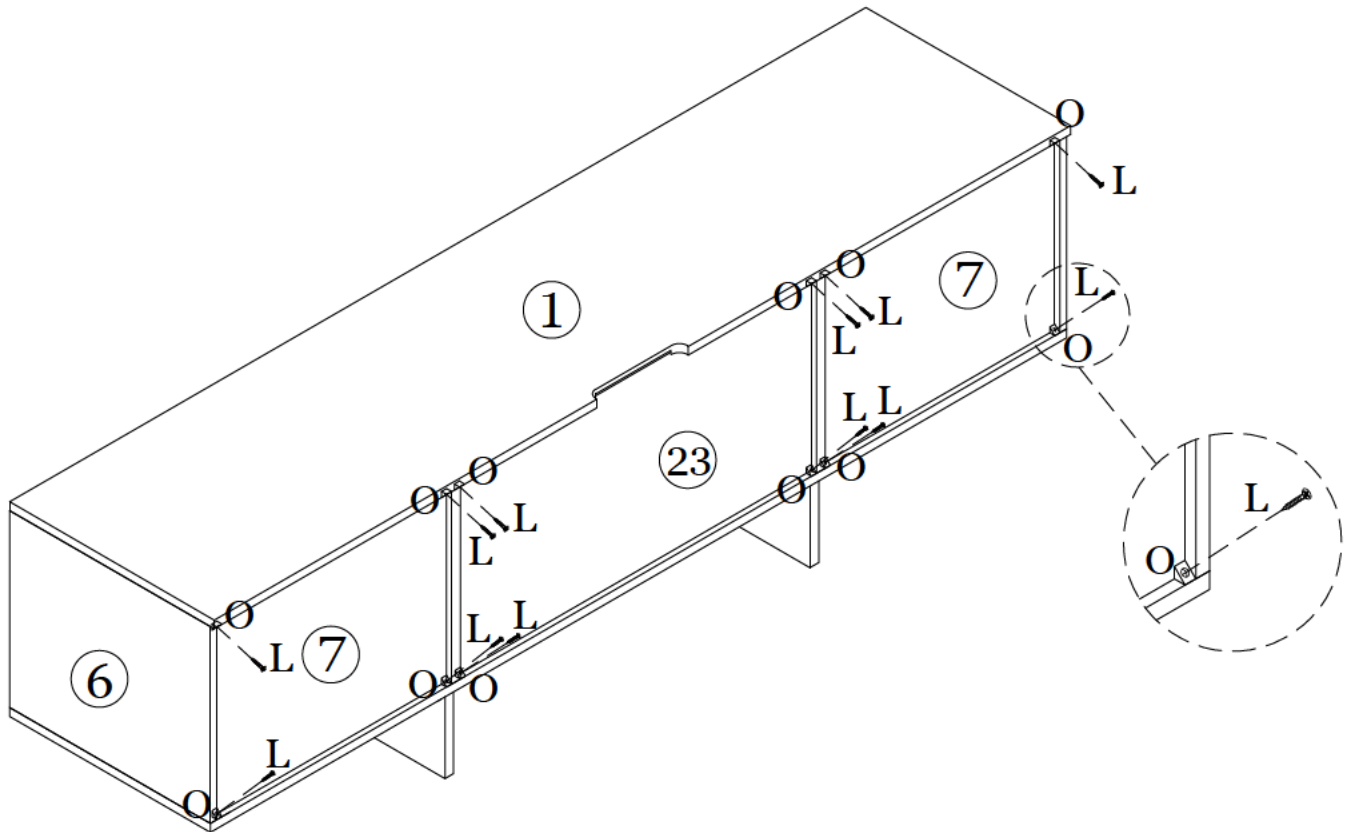


INSTALLATION STEPS

STEP 14

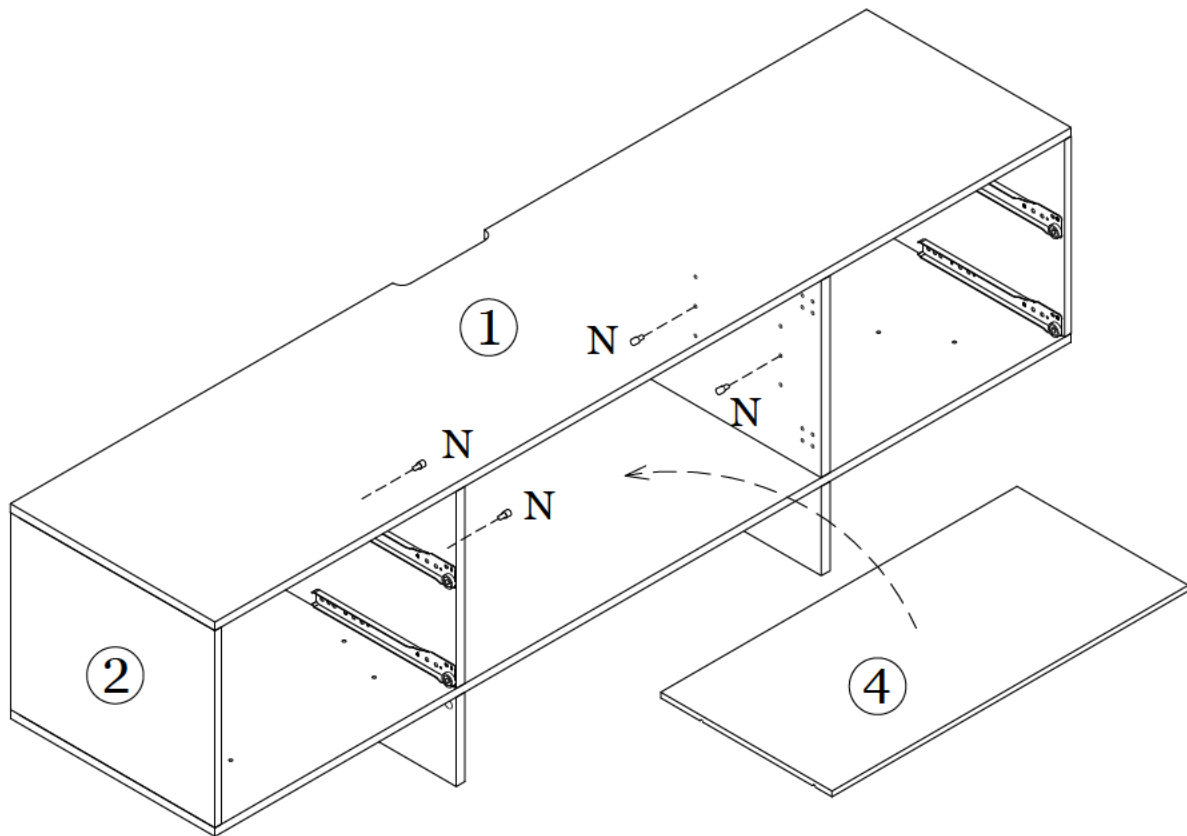
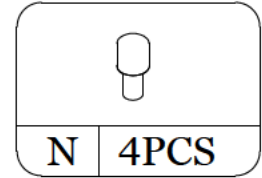
	
O	12PCS

	
L	12PCS



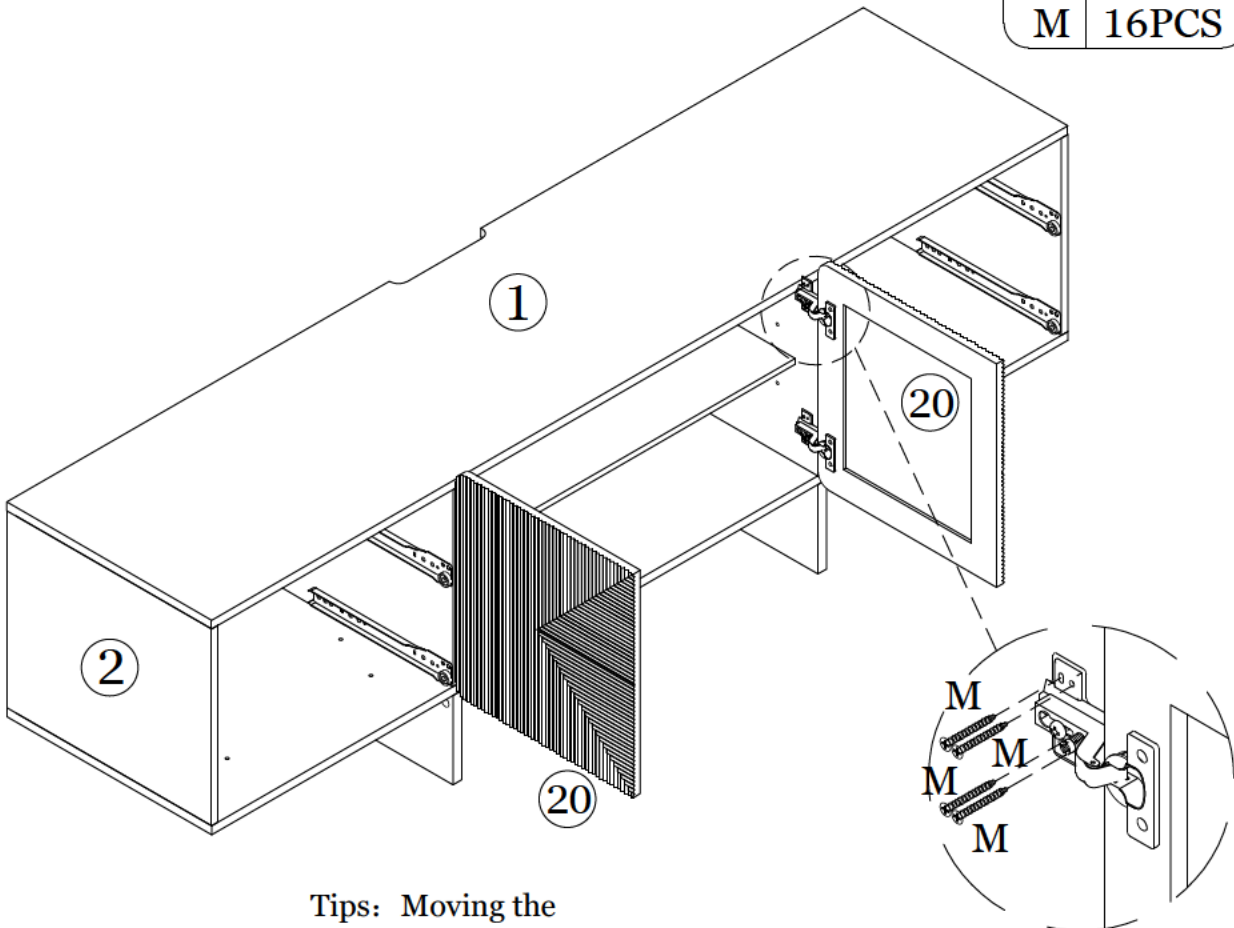
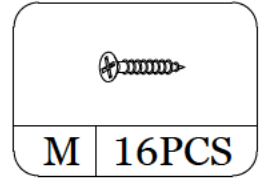
INSTALLATION STEPS

STEP 15



INSTALLATION STEPS

STEP 16

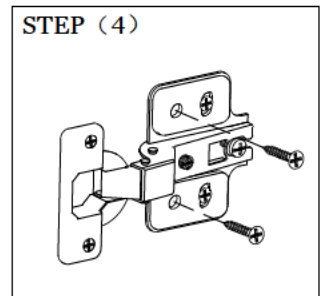
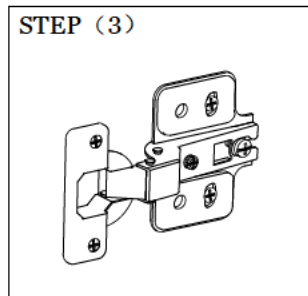
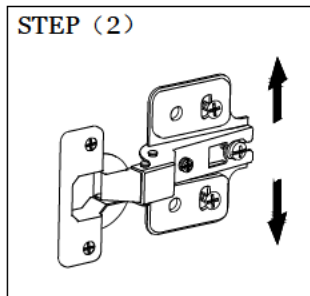
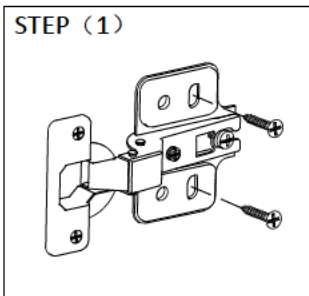


Tips: Turning the screw to approx 50% tightness, don't be fully tight.

Tips: Moving the hinges up or down appropriately to adjust the gap between the door with the cabinet top and bottom.

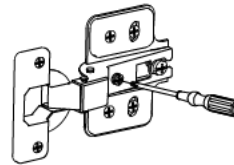
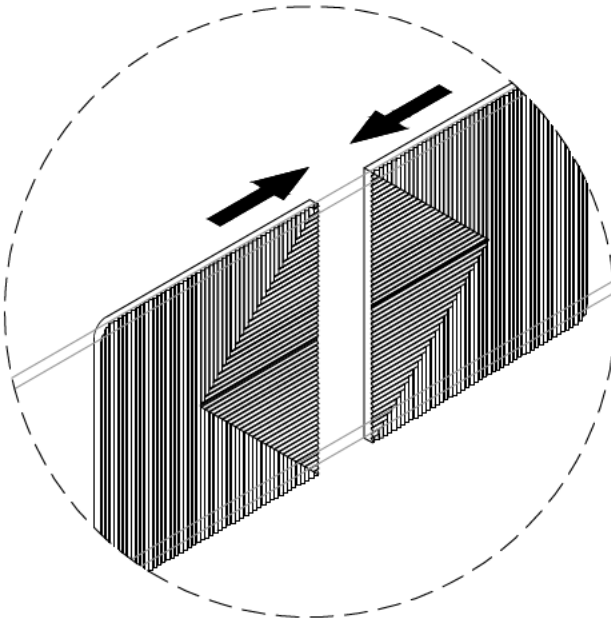
Tips: Tightening the screws completely.

Tips: Tightening the other screws completely.

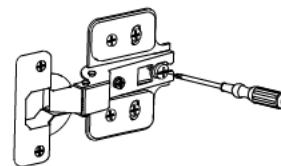
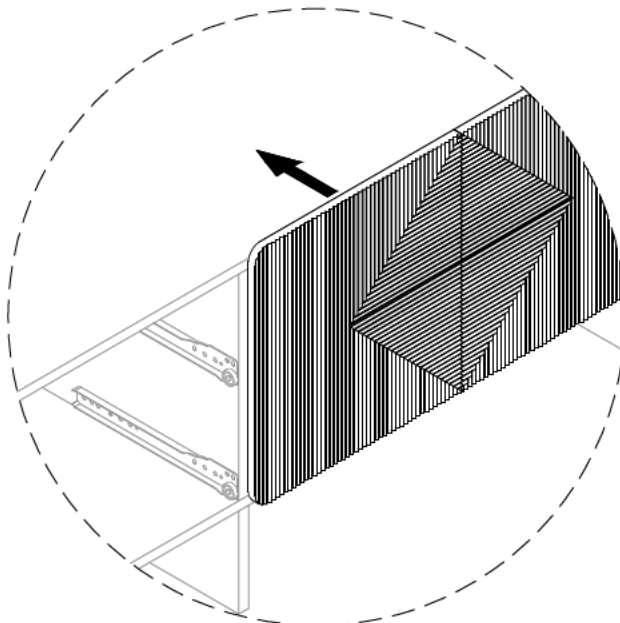


INSTALLATION STEPS

STEP 17



Tips: If the gap between the doors with the partition panel is too far or close, please turning the screw as shown below.



Tips: Adjusting the screw as shown in the following picture can make the door move forward or backward.

INSTALLATION STEPS

STEP 18

