



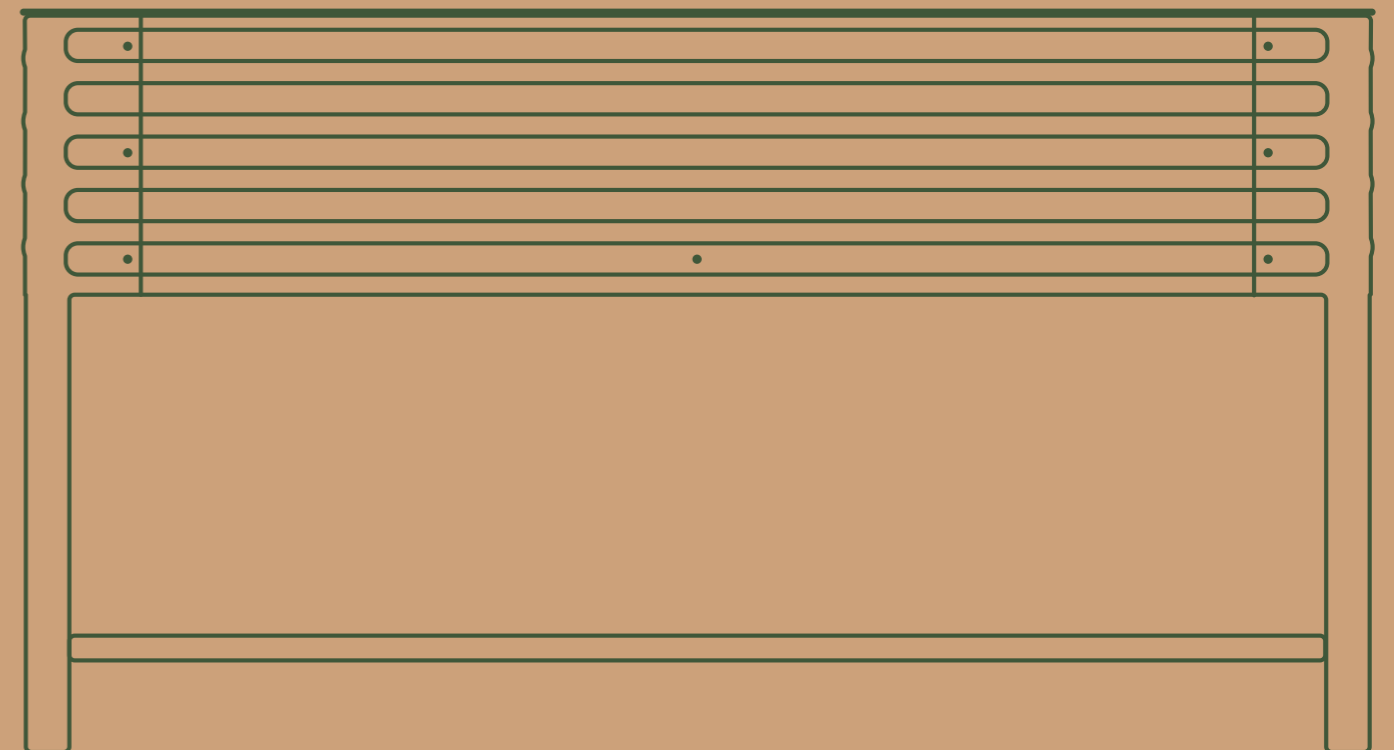
General Manual for Elevated Garden Bed 1.5ft x 5.5ft

Gardening Made Easier. Anytime, Anywhere.


Copyright © 2025 Vego



**Gardening
Made Easier.
Anytime,
Anywhere.**




Contact Us

 +1 (866) 597-1888

 Vego Garden Academy

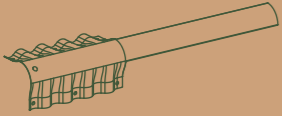
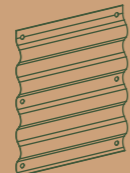
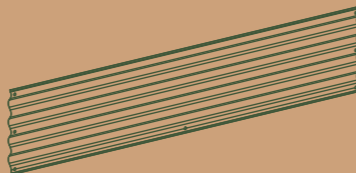
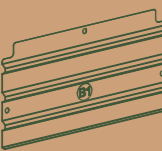


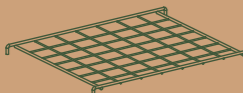

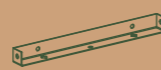



 hello@vegogarden.com







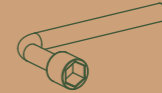

 vegogarden.com

 vego_garden

 Houston, TX

Parts List

		
P1 Qty: 4	P2 Qty: 2	P3 Qty: 2
		
B1 Qty: 2	B2 Qty: 3	B3 Qty: 1
		
B4 Qty: 5	H1 Qty: 2	H2 Qty: 2
		
H3 Qty: 2	H4 Qty: 2	F1 M6x10 Qty: 26

			
F2 M6 Qty: 16	F3 M6x8 Qty: 18	F4 M6x16 Qty: 16	F5 M6 Qty: 10
			
Z1 Qty: 8	T1 Qty: 1	T2 Qty: 1	SE Qty: 1

Safety Precautions

This product may contain sharp metal corners and edges. To prevent injury:

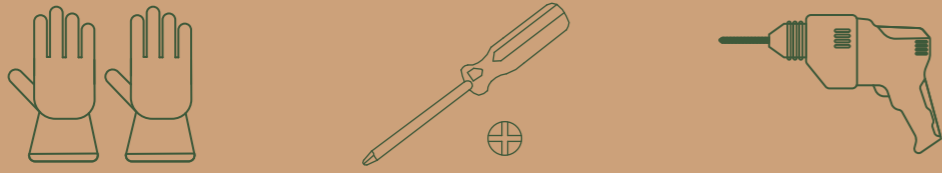
- Handle with care at all times
- Wear gloves, closed-toe shoes & long pants when handling
- Work on a stable, clean surface away from children and pets
- Follow all instructions carefully and use tools only as directed

If you are unsure about any step, pause and seek assistance.



Tips

- Additional tools are needed to complete this assembly:



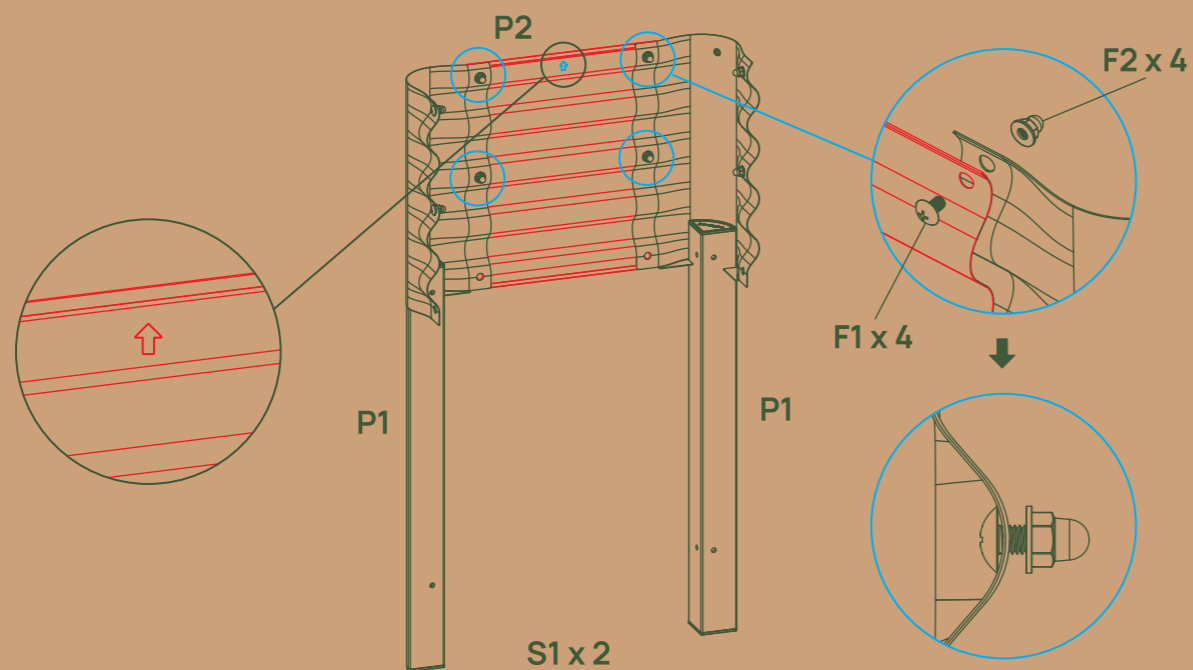
- We recommend two people work together to complete the assembly.
- During assembly, we recommend placing the unpacked box flat on the ground to serve as a protective mat.

Assembly Guide

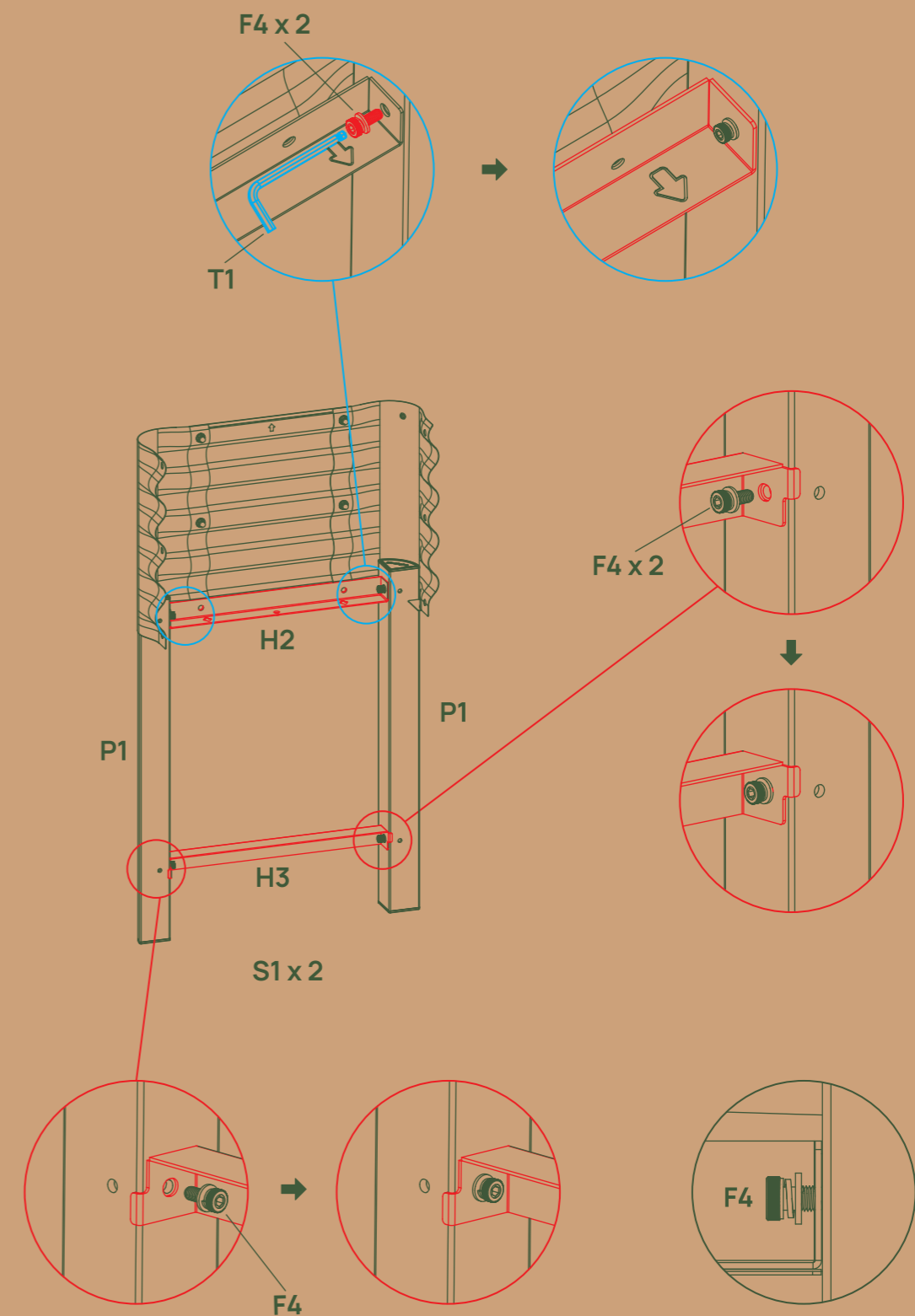
- 1 Assemble two S1s with the F1 bolts and F2 cap nuts, using them to attach the P1 legs and P2 panels. Install the top two rows only.

Notes:

- Make sure P2 panels are installed on the exterior side, with the "UP" labels positioned inside the panels and facing upward.
- Do not tighten the bolts fully to allow for easier final assembly.

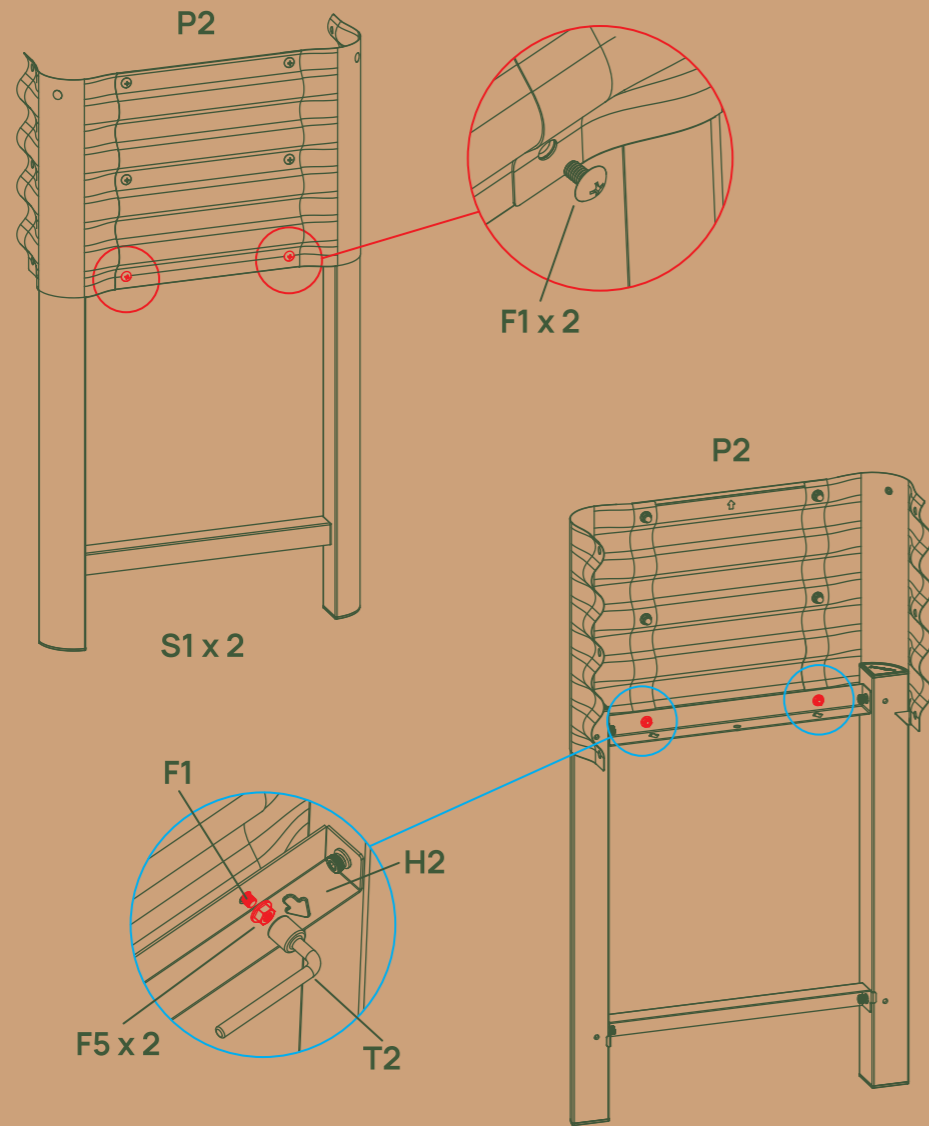


- 2 Use the T1 wrench and F4 bolts to attach H2 and H3 between the legs of each S1 assembly.

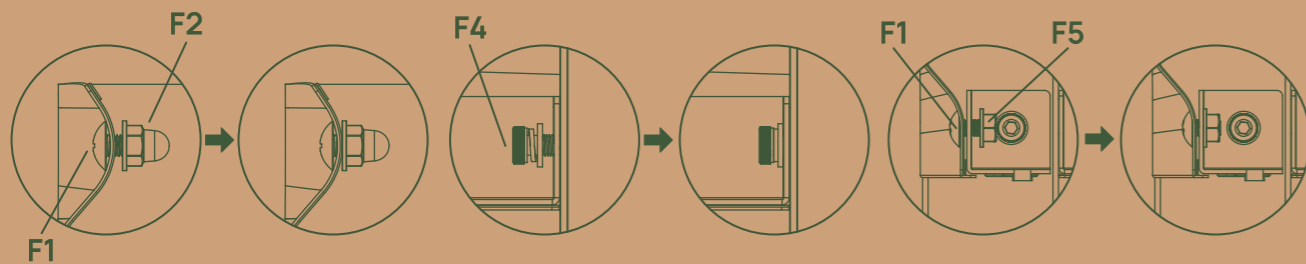


3 Using the T2 wrench, install F1 bolts through the pre-drilled holes in the P2 panels and H2 parts, securing with F5 nuts.

Note: If the holes do not align, slightly loosen the top two rows of bolts and cap nuts, and gently adjust P1, P2, and H2 to align the holes.



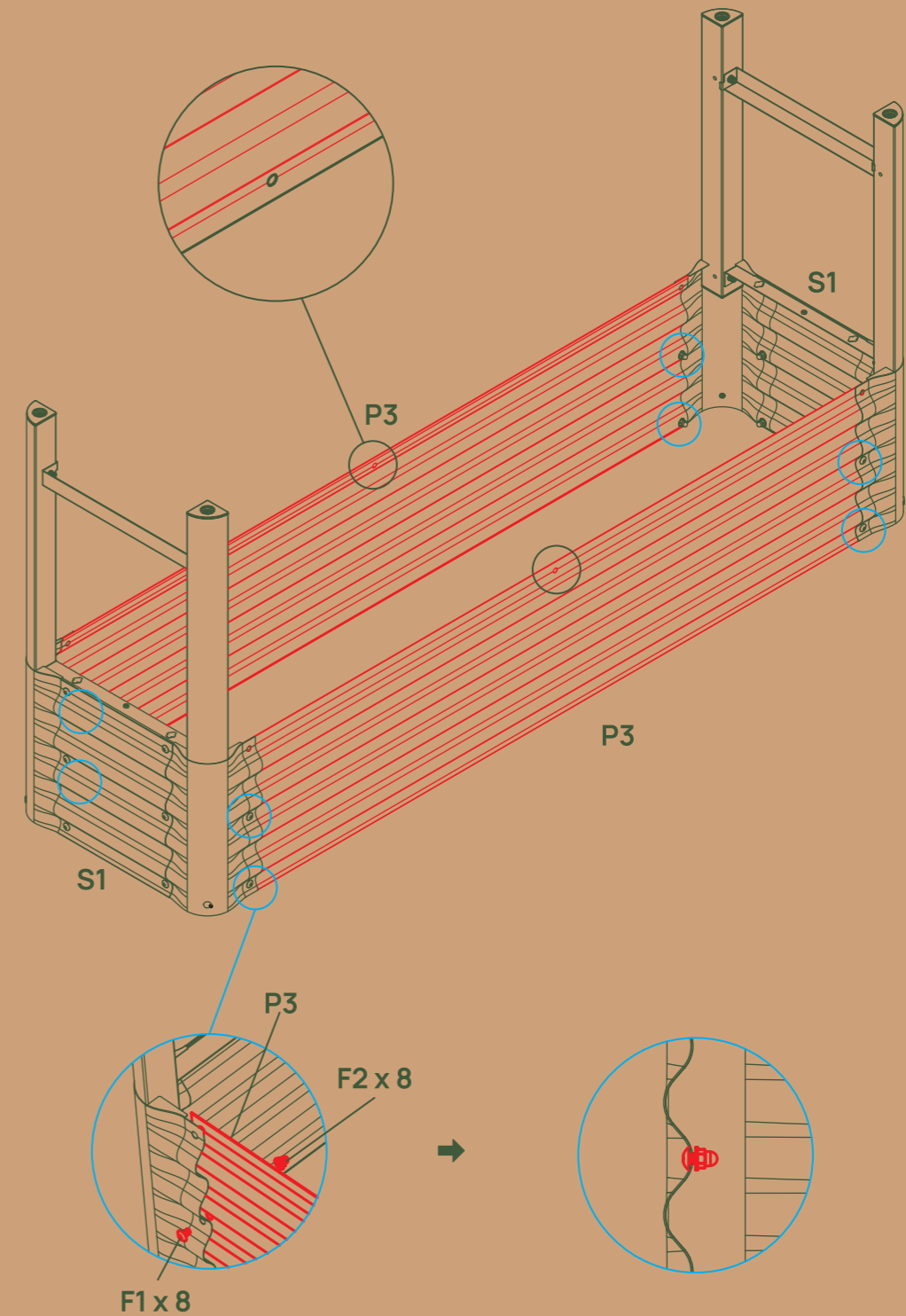
After completing this step, tighten all the bolts and nuts on S1.



4 Orient the P3 panels between two S1s so that the pre-drilled holes in the center of the panels face the bottom of the bed. Attach the P3 panels with F1 bolts and F2 cap nuts, using only the two holes closest to the top of the bed.

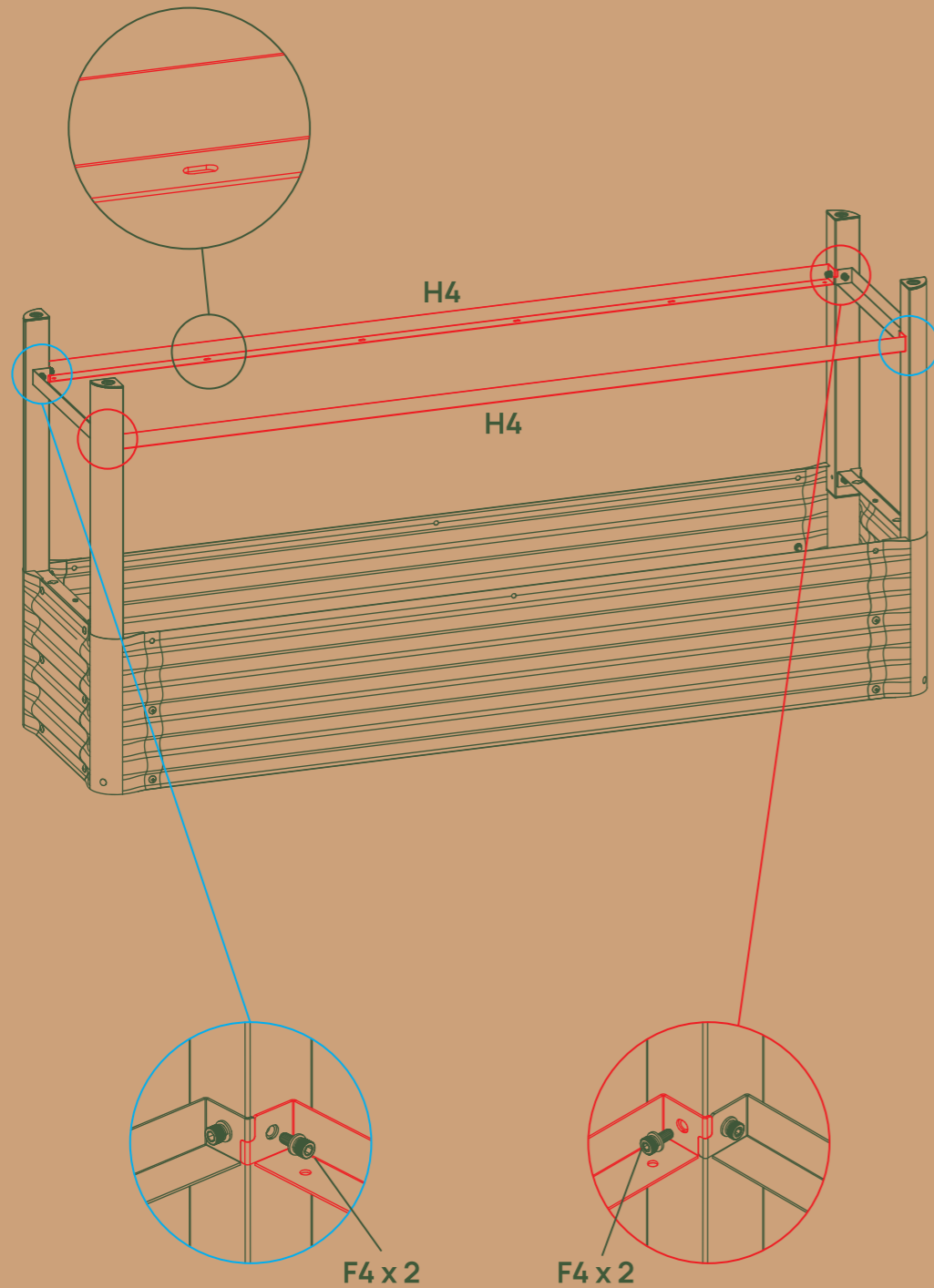
Notes:

- Make sure the P3 panels are installed on the interior side.
- Do not tighten the bolts fully to allow for easier final assembly.



- 5** Use the T1 wrench and F4 bolts to attach the two H4 pieces to the sides of the legs.

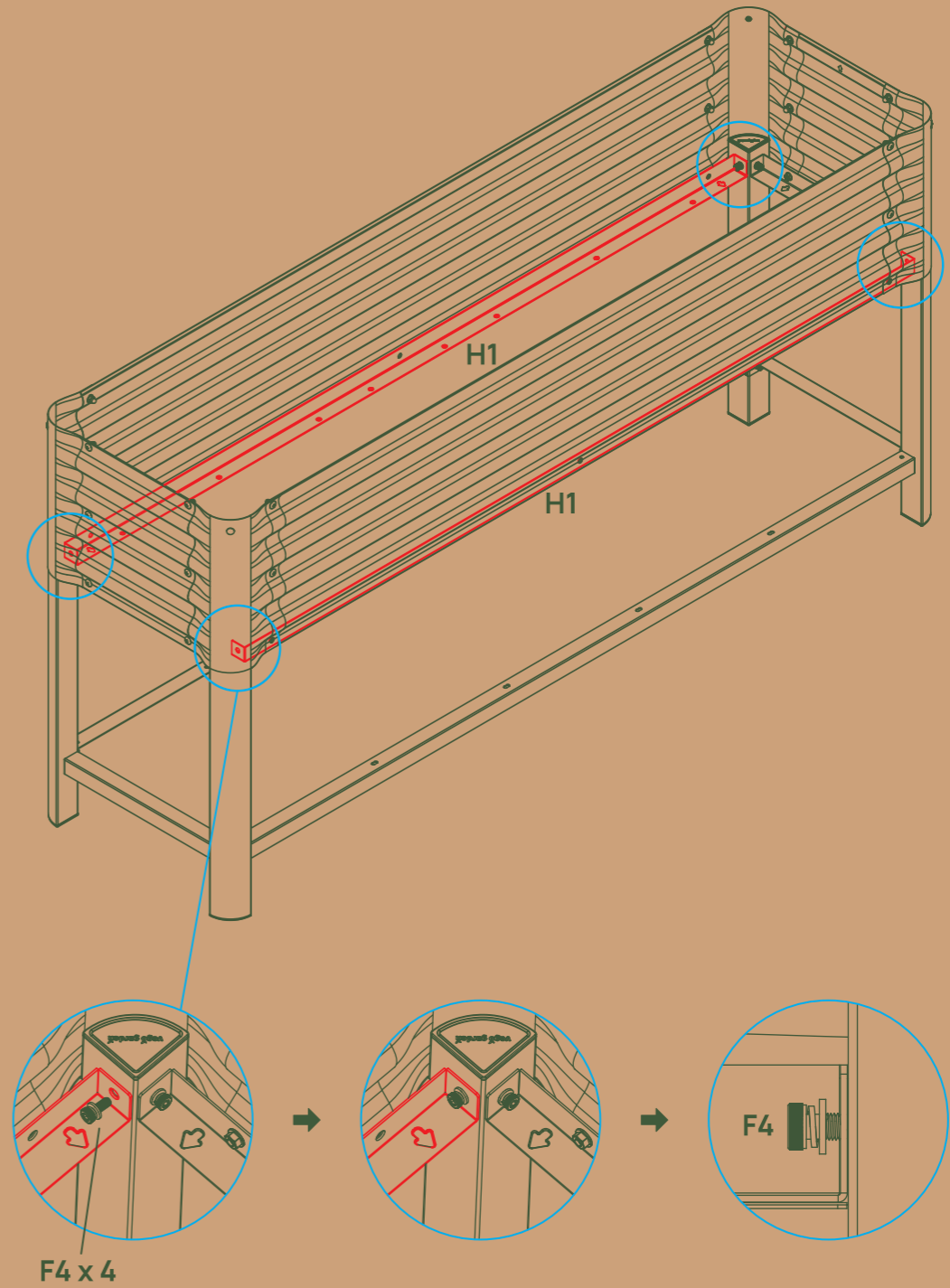
Note: Make sure the side of H4 with holes faces the top of the bed.



- 6** Use the T1 wrench and F4 bolts to attach the two H1 pieces to the sides of the legs. Do not tighten the bolts fully to allow for easier final assembly.

Note:

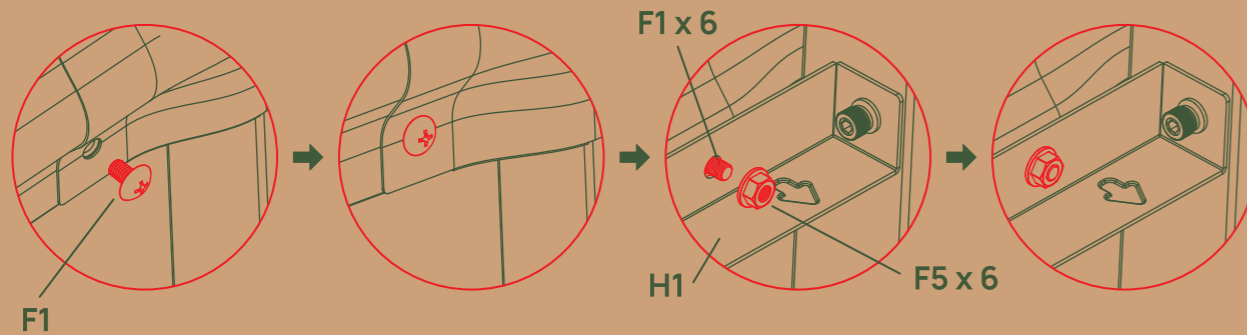
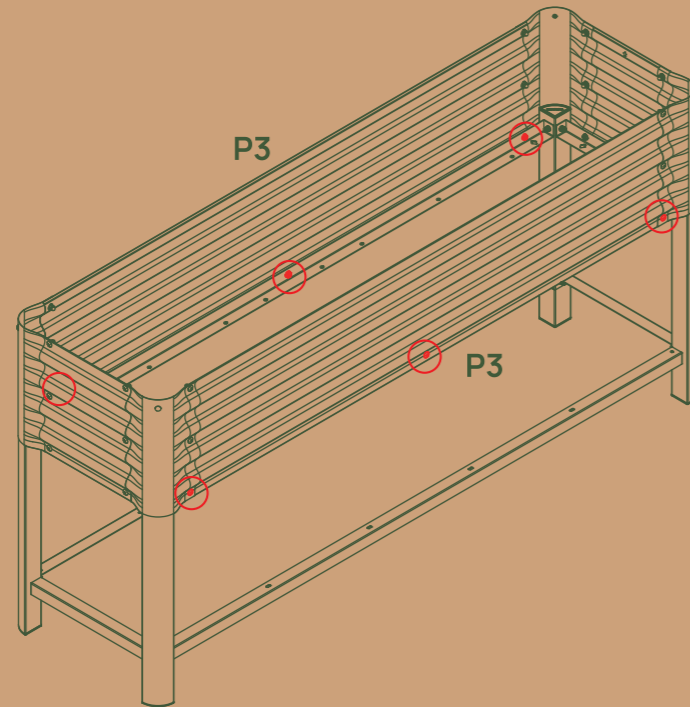
Make sure the arrows on both ends of H1 point toward the inside of the garden bed.



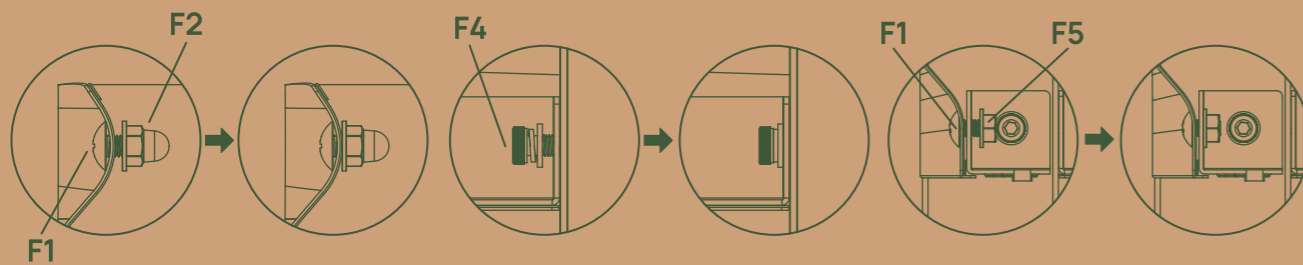
7 Use F1 bolts and F5 nuts to secure the bottom row of holes on the panels. First, hand-tighten all F1 bolts and F5 nuts by 2-3 turns, then fully tighten them using the T2 wrench.

Note:

If the holes on the P3 panels and H1s do not align easily during installation, slightly loosen the bolts on P3 and H1, then gently adjust both components to align the holes.

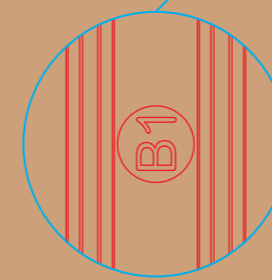
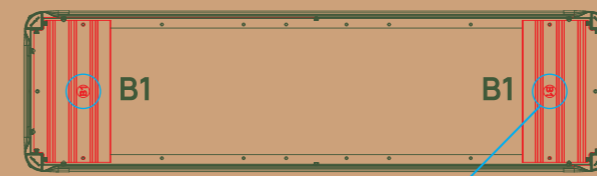


After completing this step, securely tighten all the bolts and nuts.

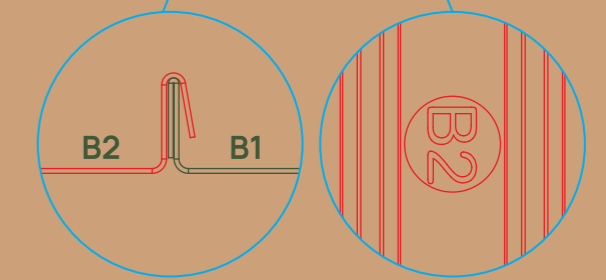
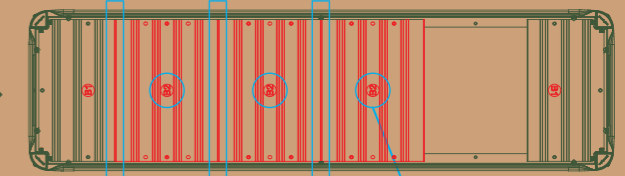


8 Install the TerraFlow floor.

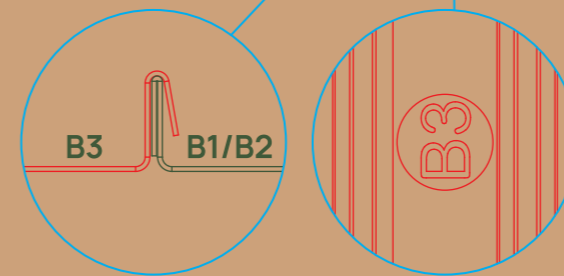
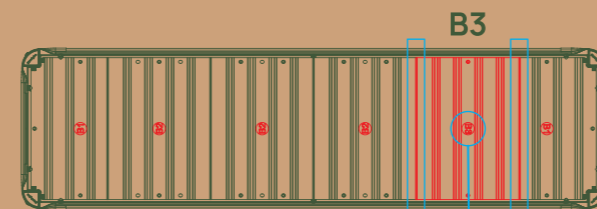
Insert the B1 panels, ensuring the labels face upward.



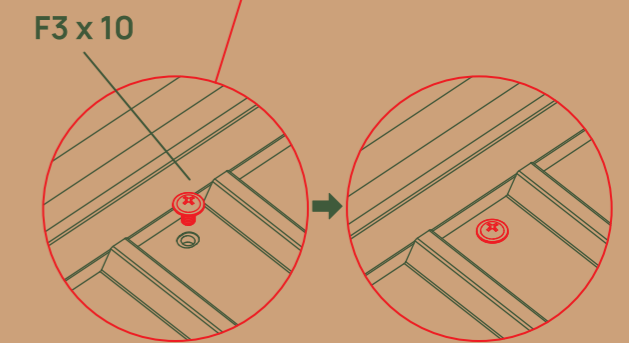
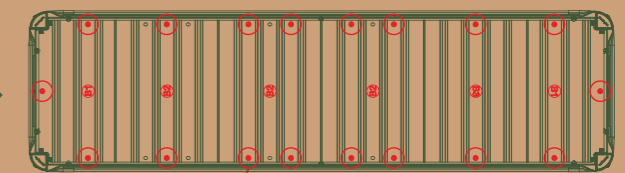
Insert the B2 panels, ensuring the labels face upward.



Insert the B3 panels, ensuring the labels face upward.



Use a phillips screwdriver and F3 bolts to secure the TerraFlow floor in place.



Note: To make installation easier, first thread all F3 bolts 2-3 turns, then fully tighten.

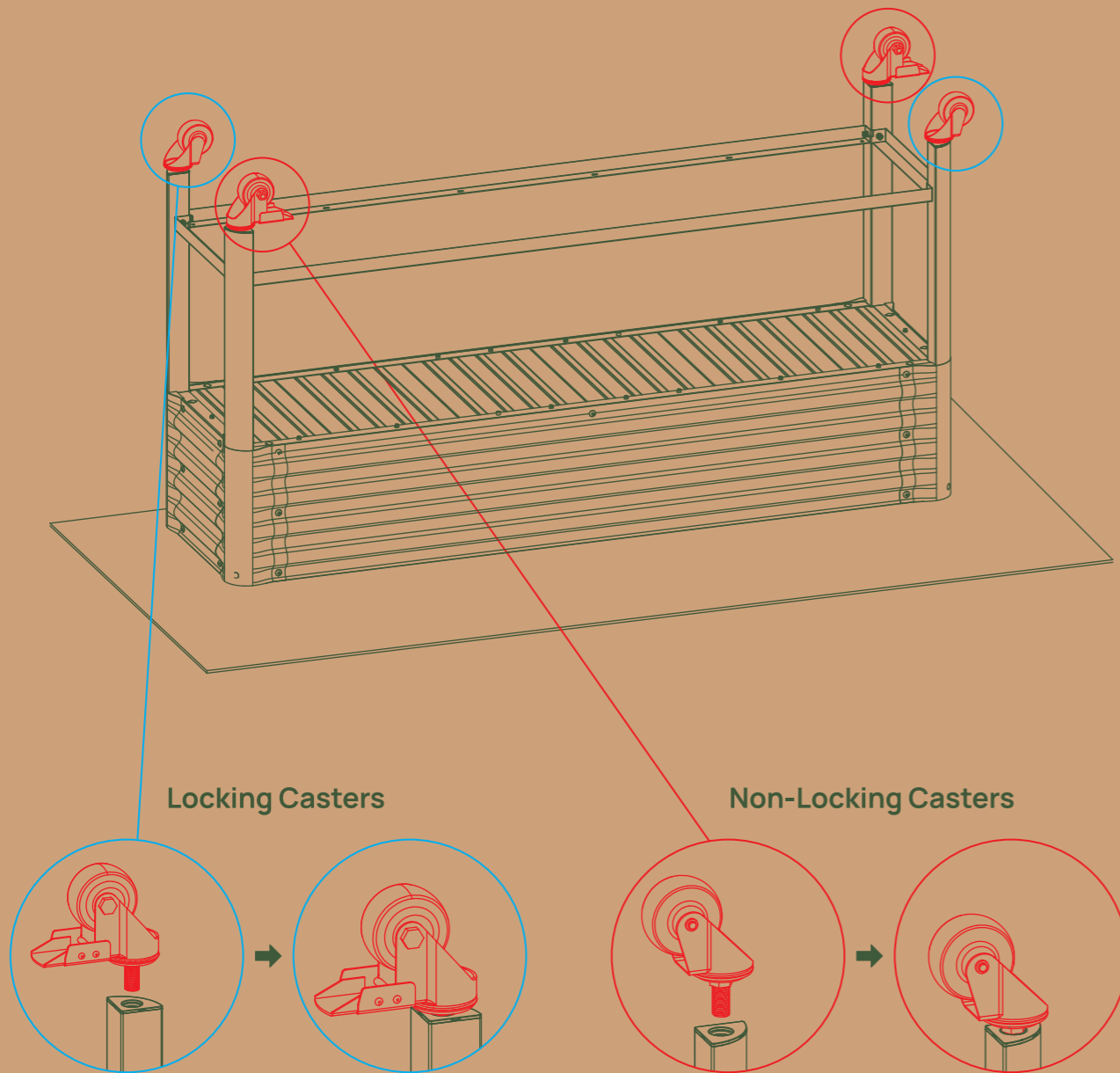
Attach The Casters

If you purchased the Elevated Garden Bed with casters, please follow the steps below to install them. If not, you can skip this step.

First turn the bed upside down, on a piece of cardboard or protective surface. Next, hand-tighten the casters' bolts into the holes on the bottom of the legs until they can no longer turn.

Notes:

- Make sure both locking casters are installed diagonally from each other.
- The casters are shipped separately, and are not included in the Elevated Garden Bed packaging.



Important Caster Note

For optimal use, safety, and to prolong the lifespan of the casters please adhere to the follow guidelines:

- Always engage the casters' brakes when the garden bed is stationary to prevent unintended movement.
- Avoid depressions or grooves deeper than 0.4 inches, as they may cause the casters to become unstable.
- Remove any small stones, debris, or obstacles that could hinder movement or damage the casters over time.
- Use only on the suitable surfaces listed below:

Suitable Surfaces

- Flat, stable surfaces
- Concrete
- Wooden & composite decks
- Pavers & tile

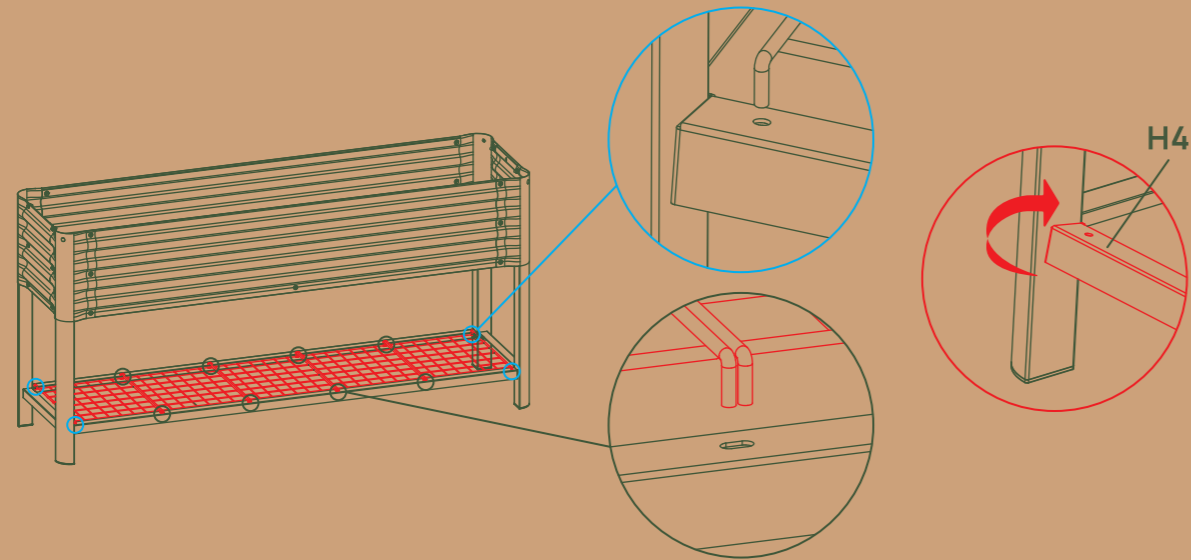
Unsuitable Surfaces

- Slopes or inclines
- Soft ground such as grass, soil, or sand
- Uneven gravel or rocky areas

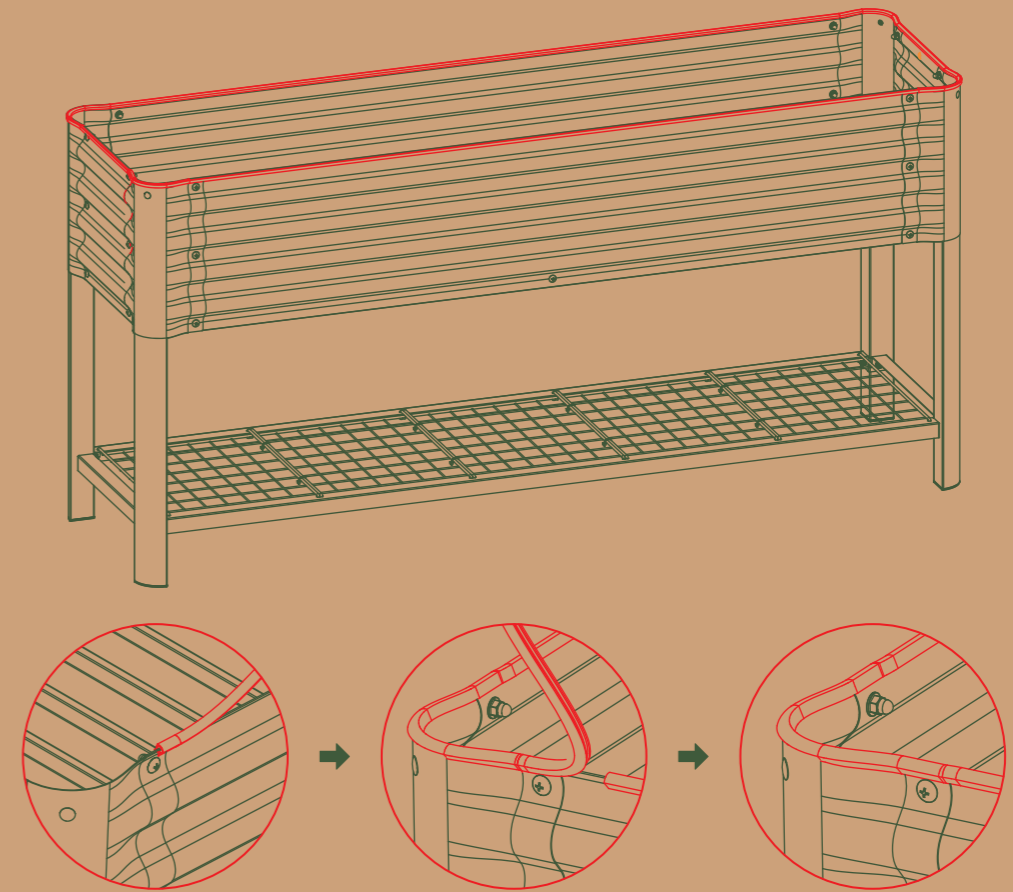
9 Insert the metal rack into the holes on H4.

Note:

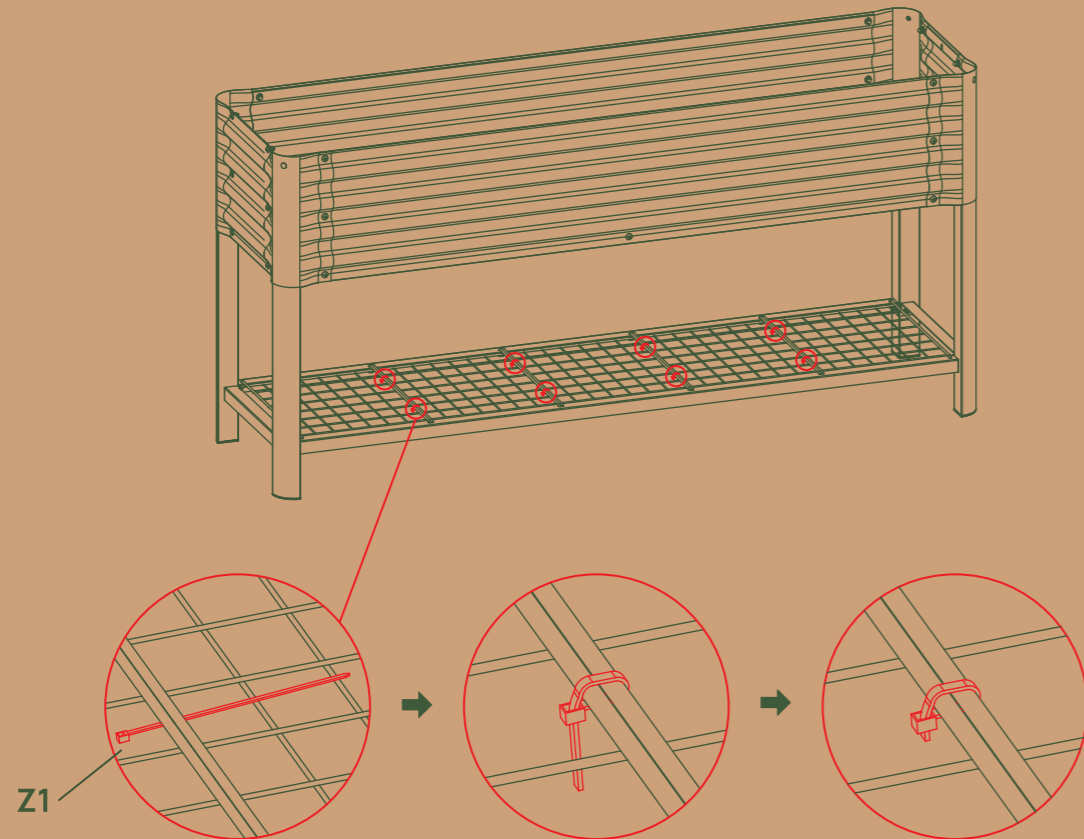
If the holes are misaligned, gently rotate H4 and try again.



11 Press the safety edging along the top edge of the bed to secure.



10 Use the Z1 cable ties to secure the rack pieces to each other as shown.



**Gardening
Made Easier.
Anytime,
Anywhere.**

