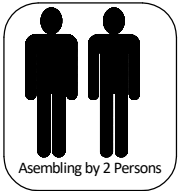
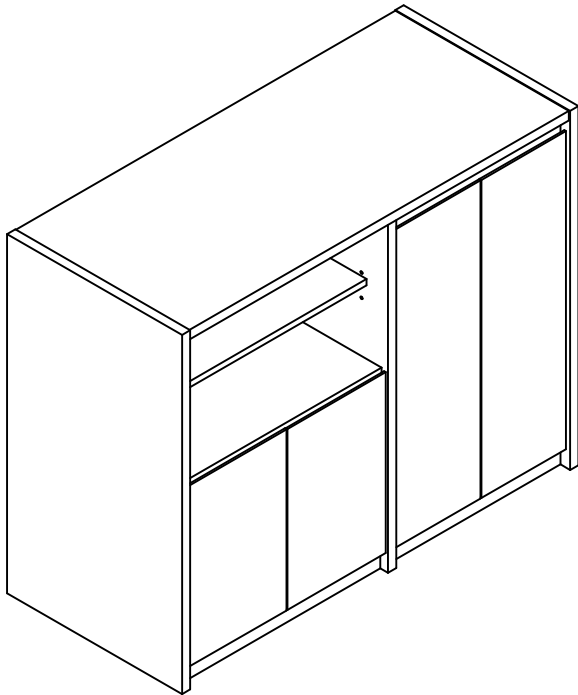


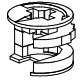
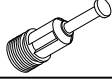
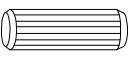

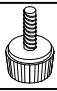
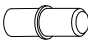
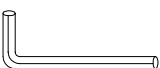


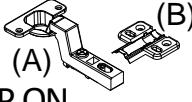
TI21-1373-22 DOOR CABINET

AI-RD-2652
REV 4 11.7.25



Please use the manual from the beginning until the end to assemble your newly bought furniture without troubles.



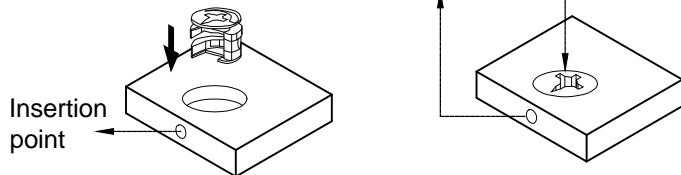
| HARDWARE LIST | | |
|---------------|---|--------|
| NO | DESCRIPTION | QTY |
| 1 | 5654 QUICKFIT CAM  | 18 PCS |
| 3 | 5570 QUICKFIT POST  | 18 PCS |
| 20 | M8 X 25MM PVC DOWEL  | 45 PCS |
| 31 | SCREW M3.5 X 16MM  | 48 PCS |
| 64 | ADJUSTABLE LEVELLER M6 X 15MM  | 6 PCS |
| 85 | SHELF PIN M5 X 16MM  | 16 PCS |
| 140 | M4 ALLEN KEY  | 1 PC |
| 171 | COLOR STICKER Ø20MM  | 20 PCS |
| 210 | COMFIRMAT SCREW M7 X 60MM  | 21 PCS |
| 211 | SOFT CLOSING HINGES 7/8" M10A-DHT15LB04S-CLIP ON  | 8 SETS |



ASSEMBLY HARDWARE

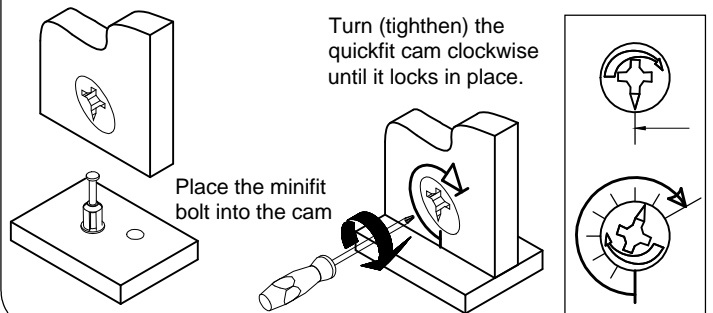
QUICKFIT CAM

Place the quick fit cam into the specific holes with the arrow pointing towards the insertion point



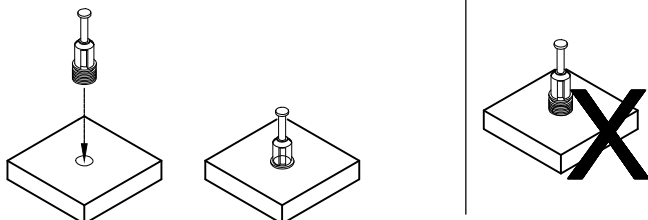
ASSEMBLY AND ADJUSTMENT OF THE CAM

Arrow pointing towards the quick fit dowel

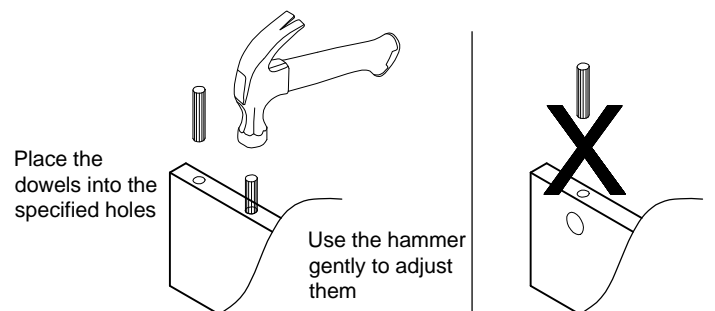


QUICKFIT POST

Place the quick fit dowel into the specified holes



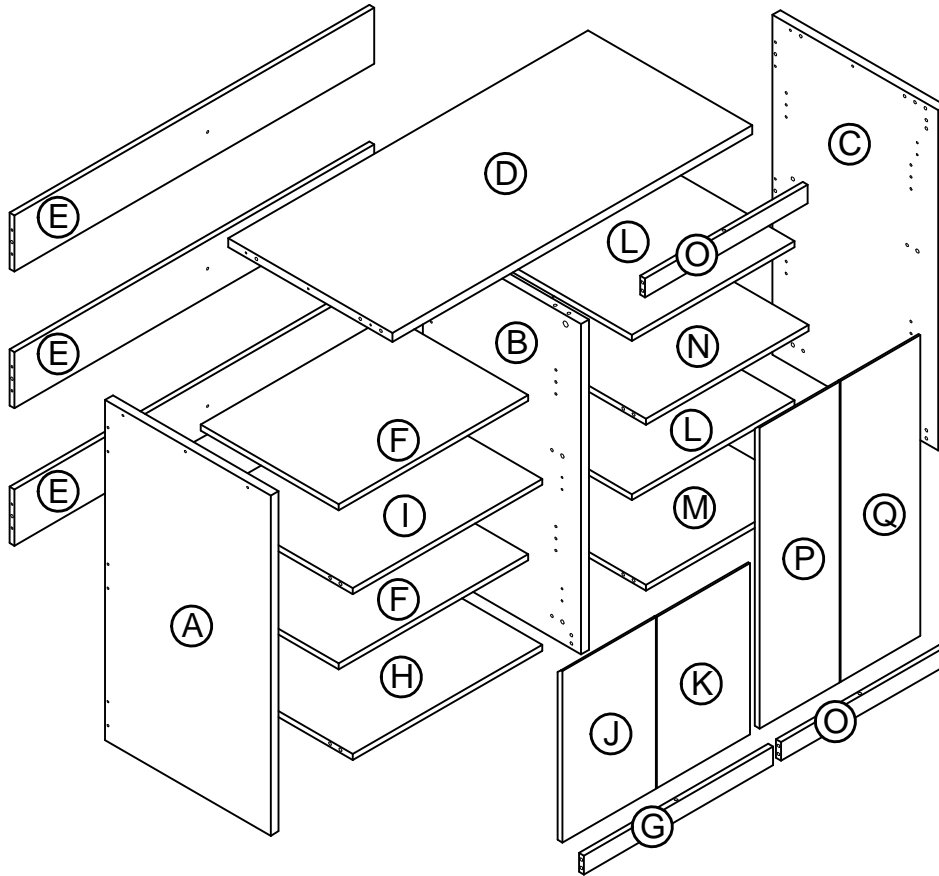
Place the dowels into the specified holes



Use the hammer gently to adjust them

1

ALL PANELS

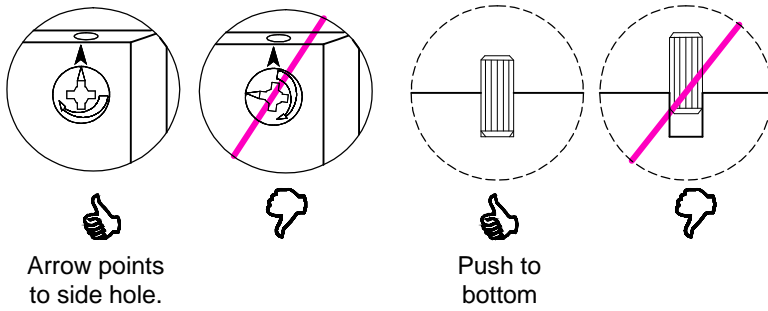


| PARTS LIST | | |
|------------|----------------------|-----|
| NO | DESCRIPTION | QTY |
| A | SIDE PANEL-LEFT | 1 |
| B | CENTER PANEL | 1 |
| C | SIDE PANEL - RIGHT | 1 |
| D | TOP PANEL | 1 |
| E | BACK RAIL | 3 |
| F | ADJUSTABLE SHELF B | 2 |
| G | BOTTOM RAIL B | 1 |
| H | BOTTOM FIXED SHELF B | 1 |
| I | CENTER FIXED SHELF B | 1 |
| J | DOOR S PANEL - LEFT | 1 |
| K | DOOR S PANEL - RIGHT | 1 |
| L | ADJUSTABLE SHELF S | 2 |
| M | BOTTOM FIXED SHELF S | 1 |
| N | CENTER FIXED SHELF S | 1 |
| O | BOTTOM/FRONT RAILS | 2 |
| P | DOOR B PANEL - LEFT | 1 |
| Q | DOOR B PANEL - RIGHT | 1 |

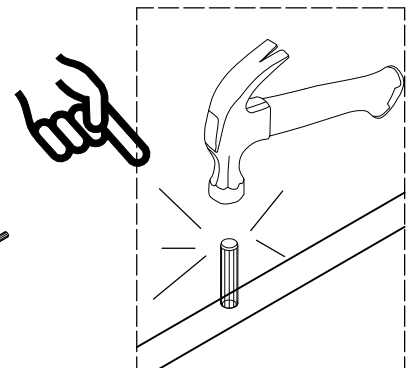
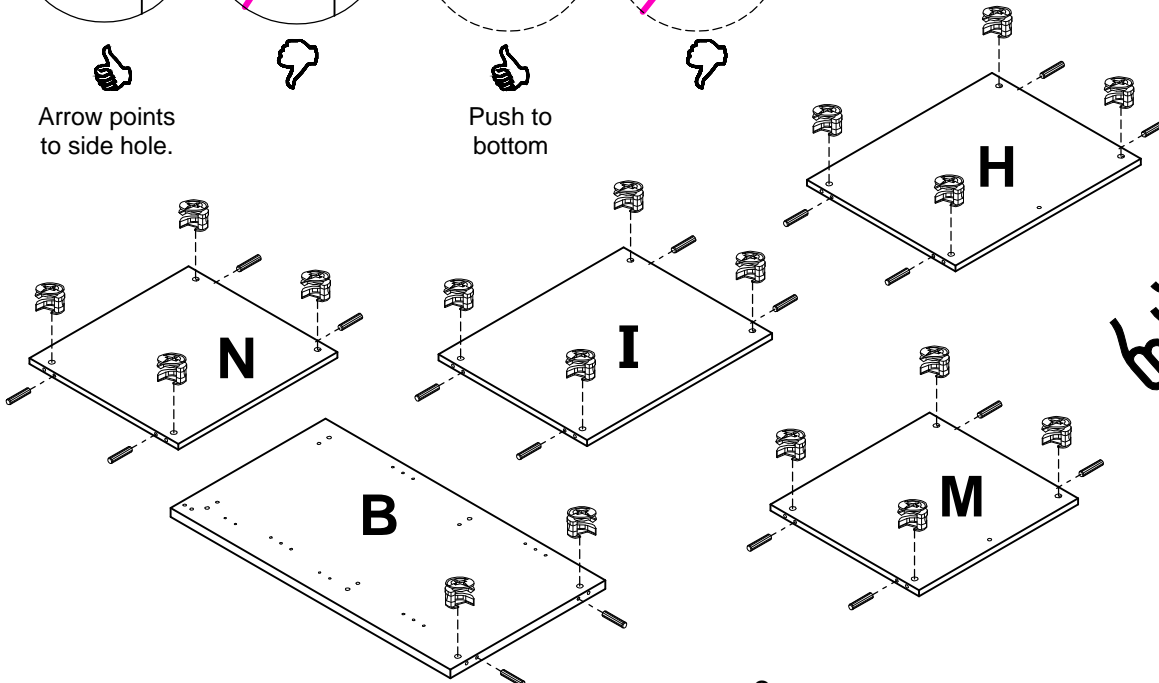
Note 1: Each panel has an identification label sticker.

Note 2: Use provided Allen Key to tighten quickfit cam and to tighten comfirmat screw.

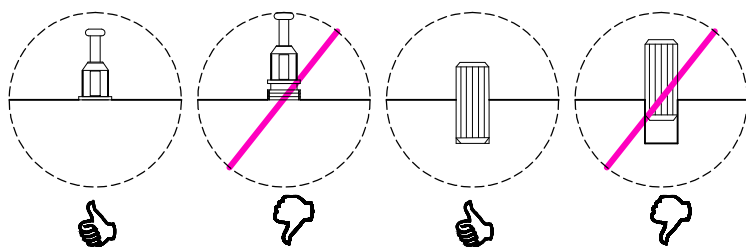
2



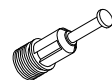
Part # 1 (18pcs)
 Part # 20 (18pcs)



3



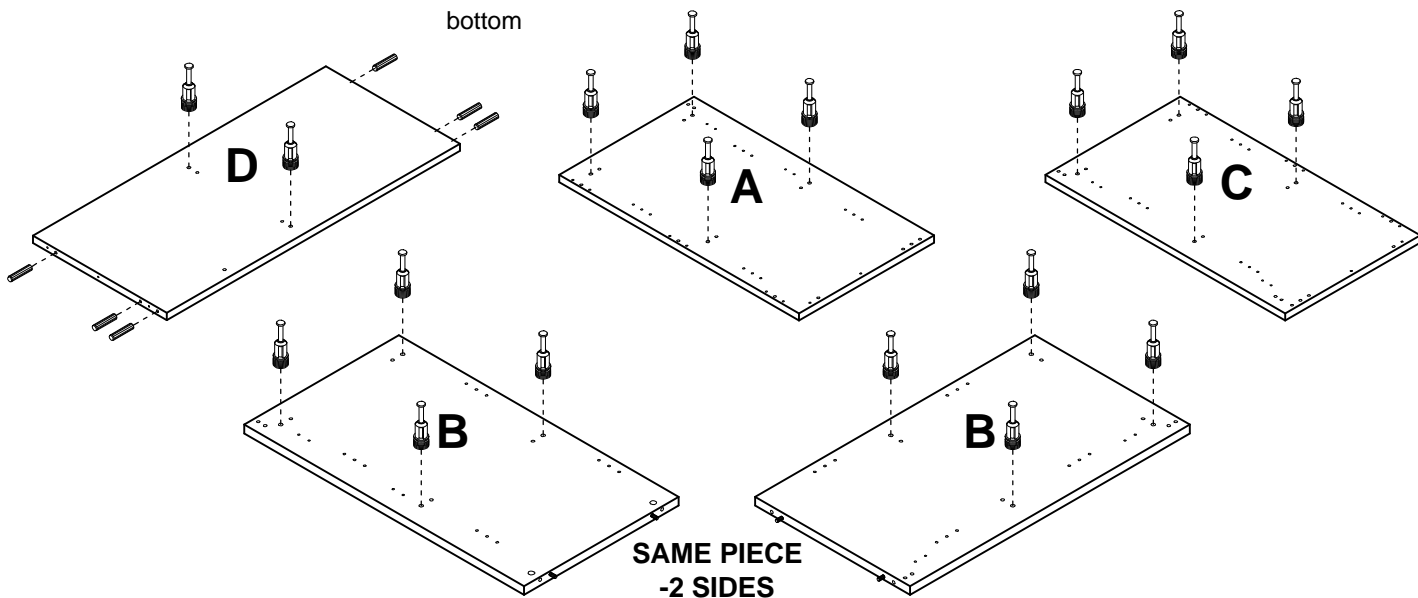
Push to bottom



Part # 3 (18pcs)



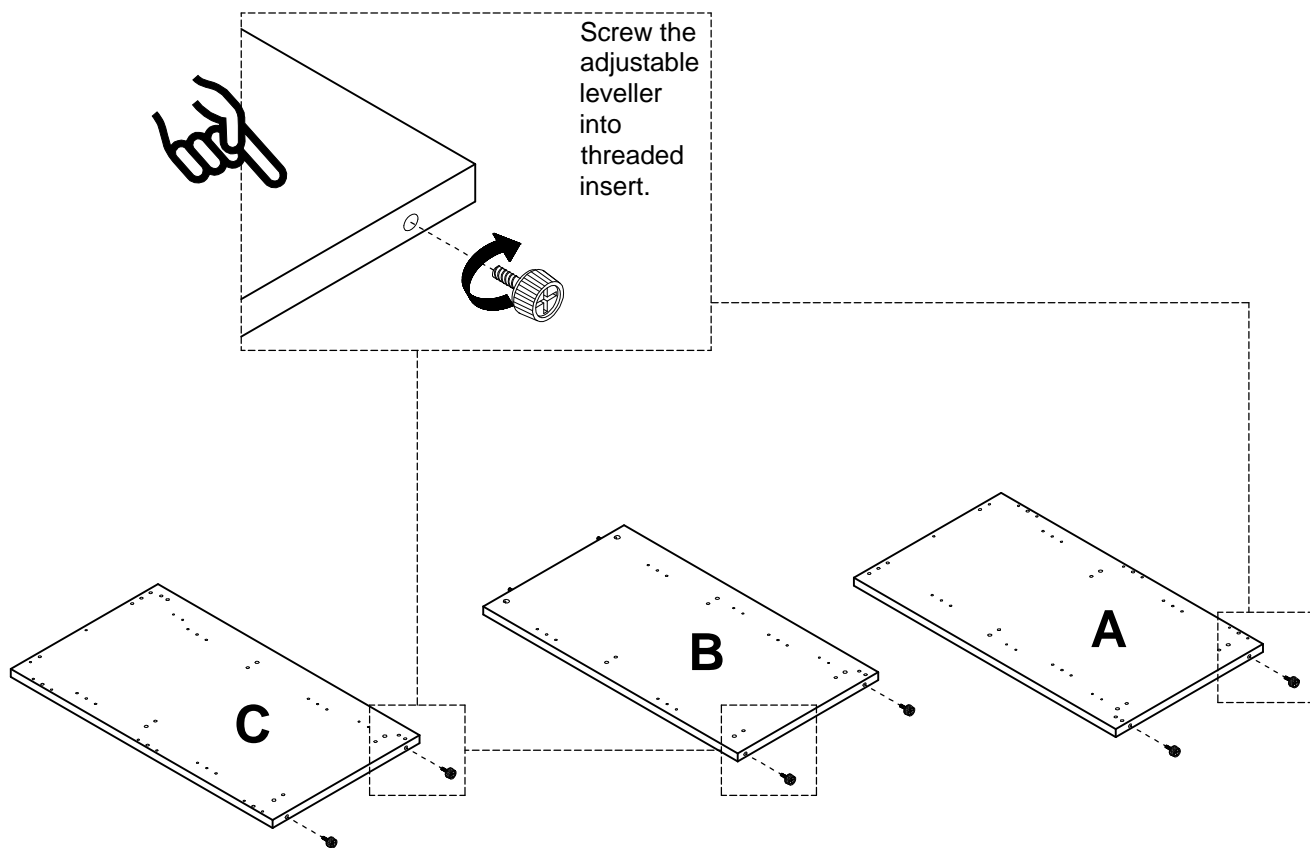
Part # 20 (6pcs)



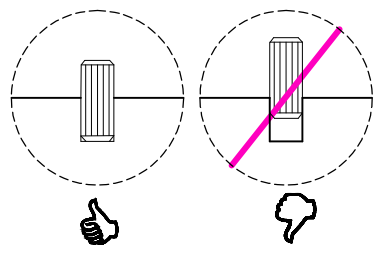
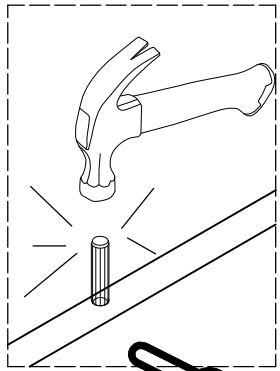
4



Part # 64 (6pcs)



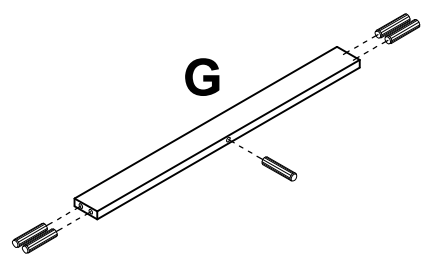
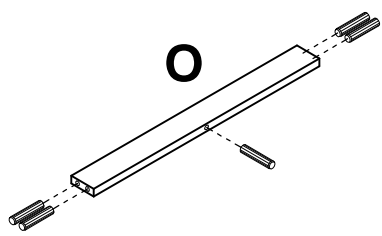
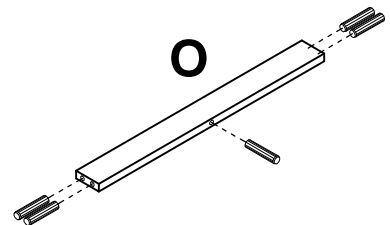
5



Push to bottom

E (x3)

Part # 20 (21pcs)

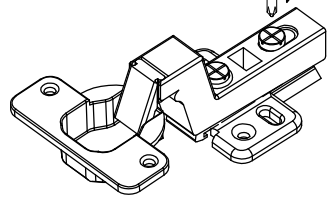


6

TO SEPARATE THE HINGE IN 2 PARTS

(1)

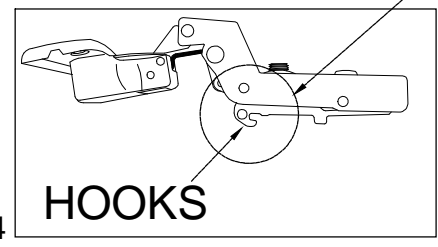
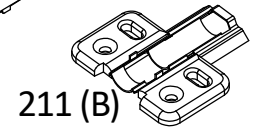
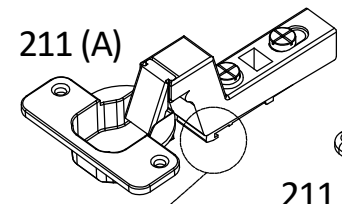
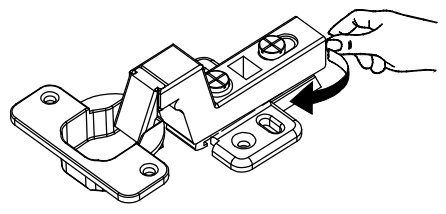
Slightly Loosen Screw



Part # 211 (SET)

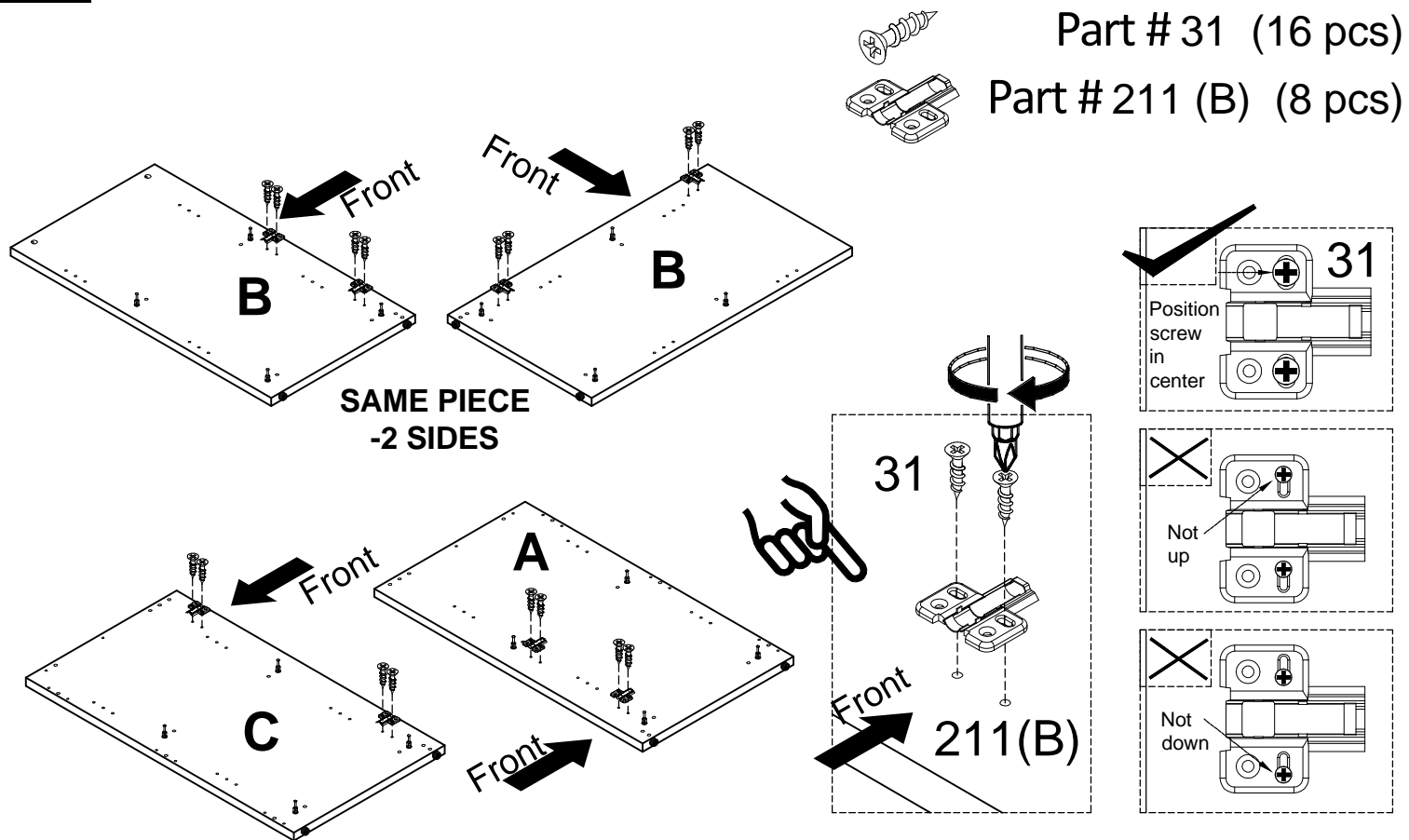
(2)

PUSH SPRING TO OPEN

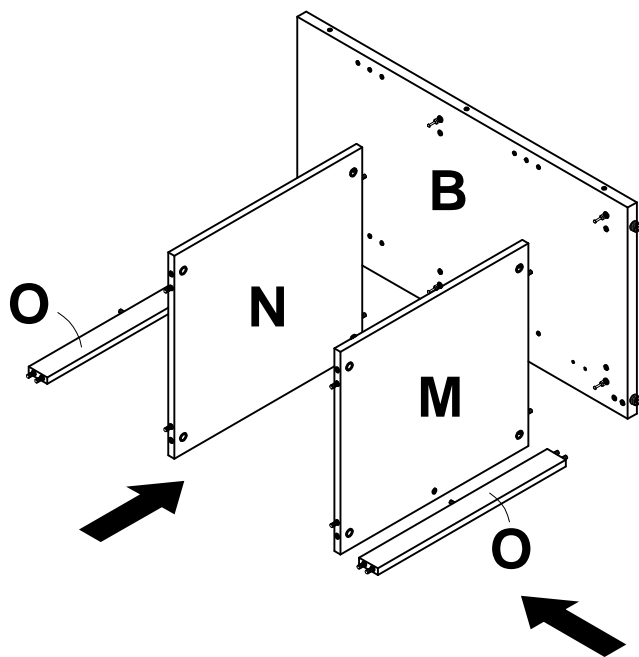


4

7



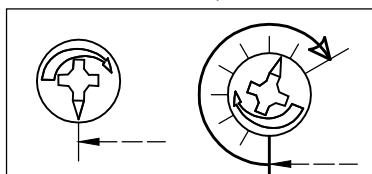
8



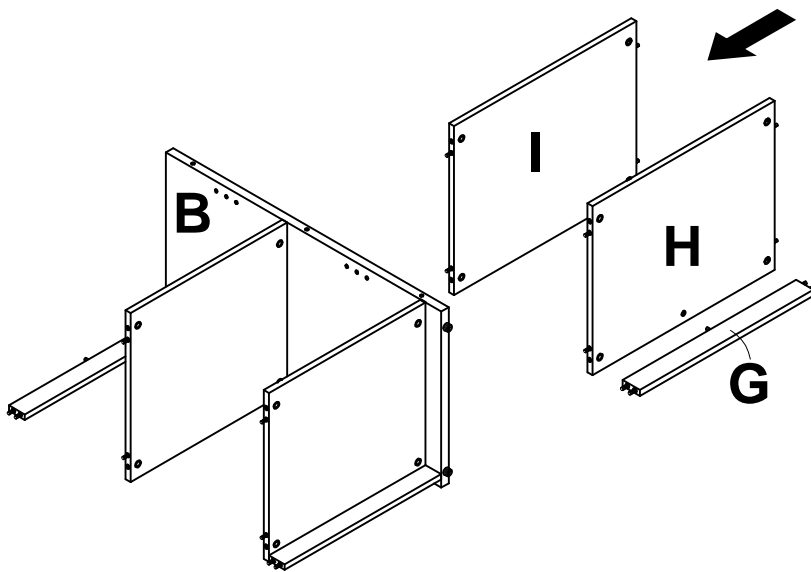
Install the N first and lock the Quickfit cam (1).

Then install O+M and lock the Quickfit cam (1).

* How to lock Quickfit Cam

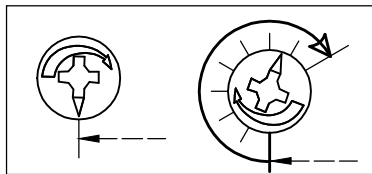


9



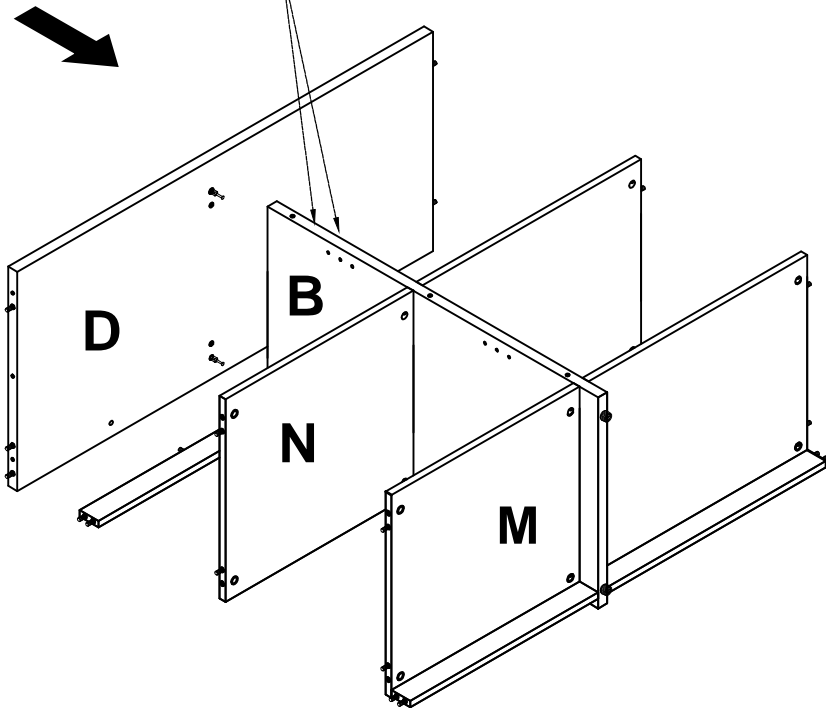
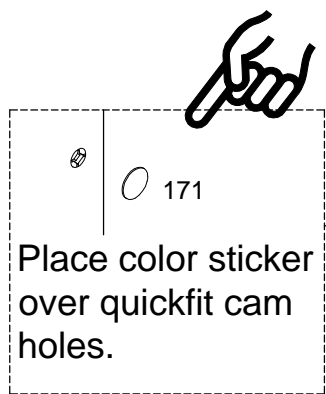
Install panel I first and lock the Quickfit cam (1).
Then install G+H and lock the Quickfit cam (1)

* How to lock Quickfit Cam

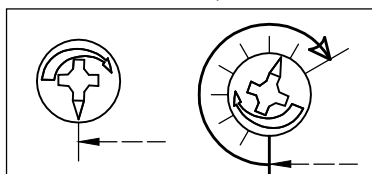


10

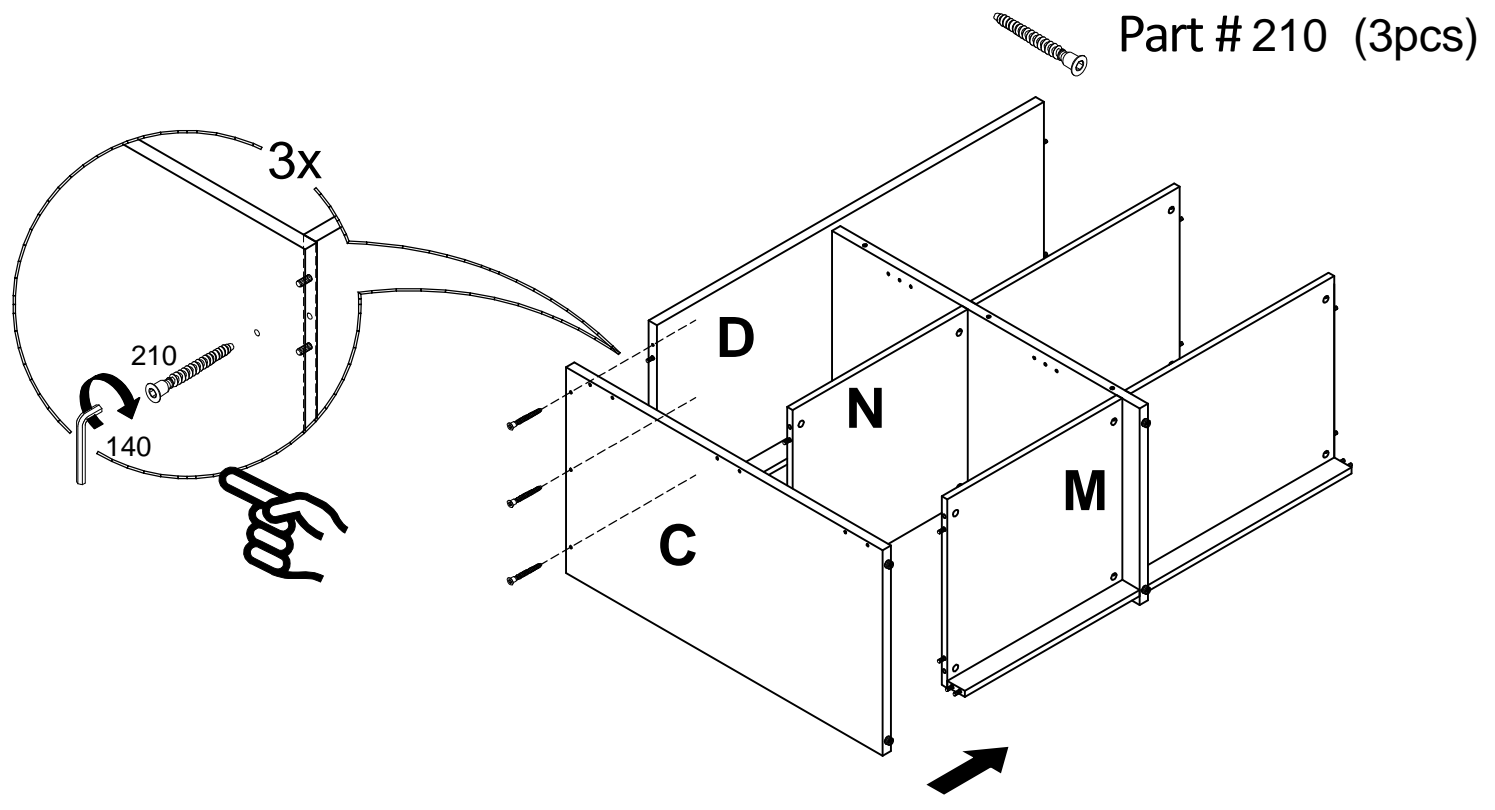
○ Part # 171 (2 pcs)



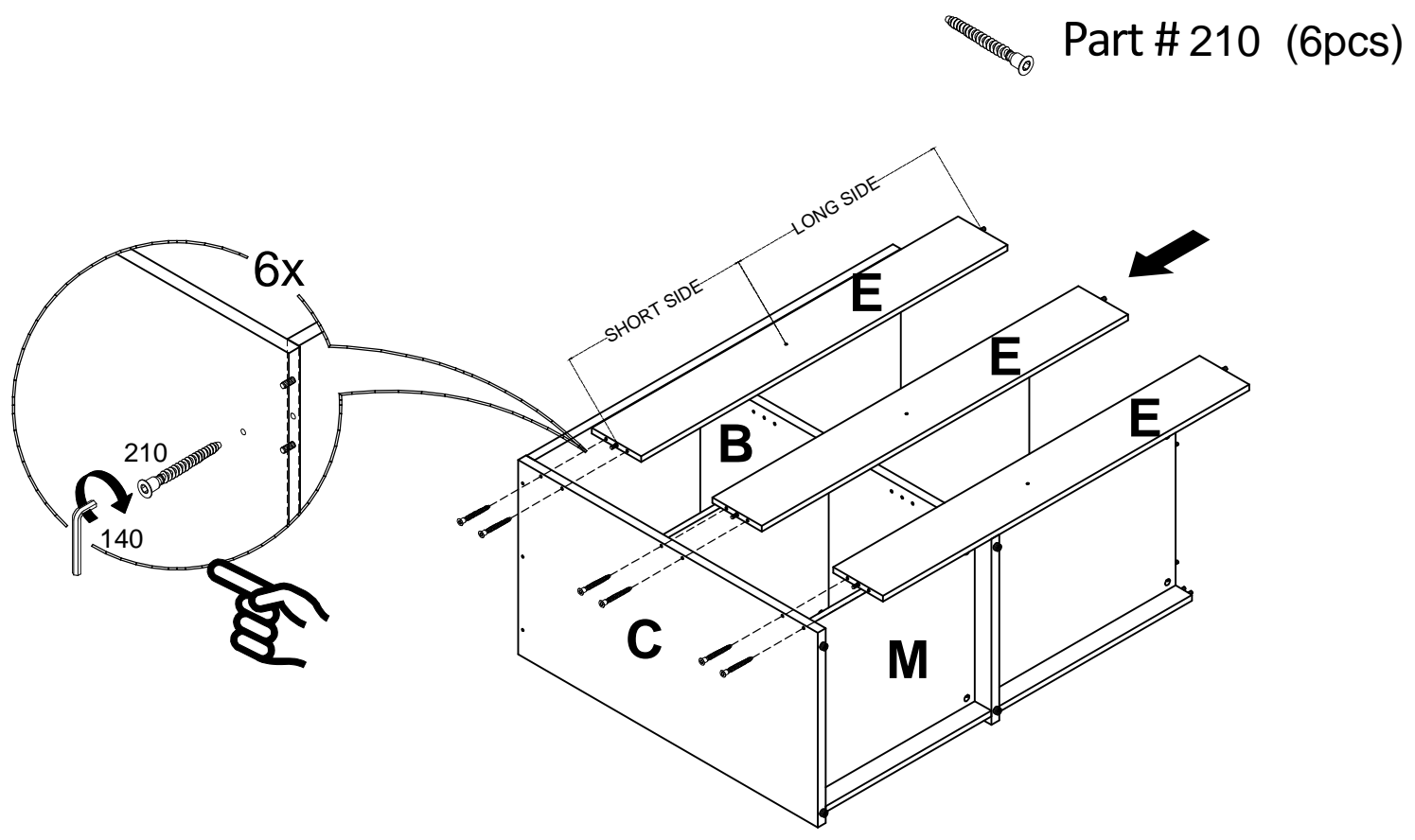
* How to lock Quickfit Cam



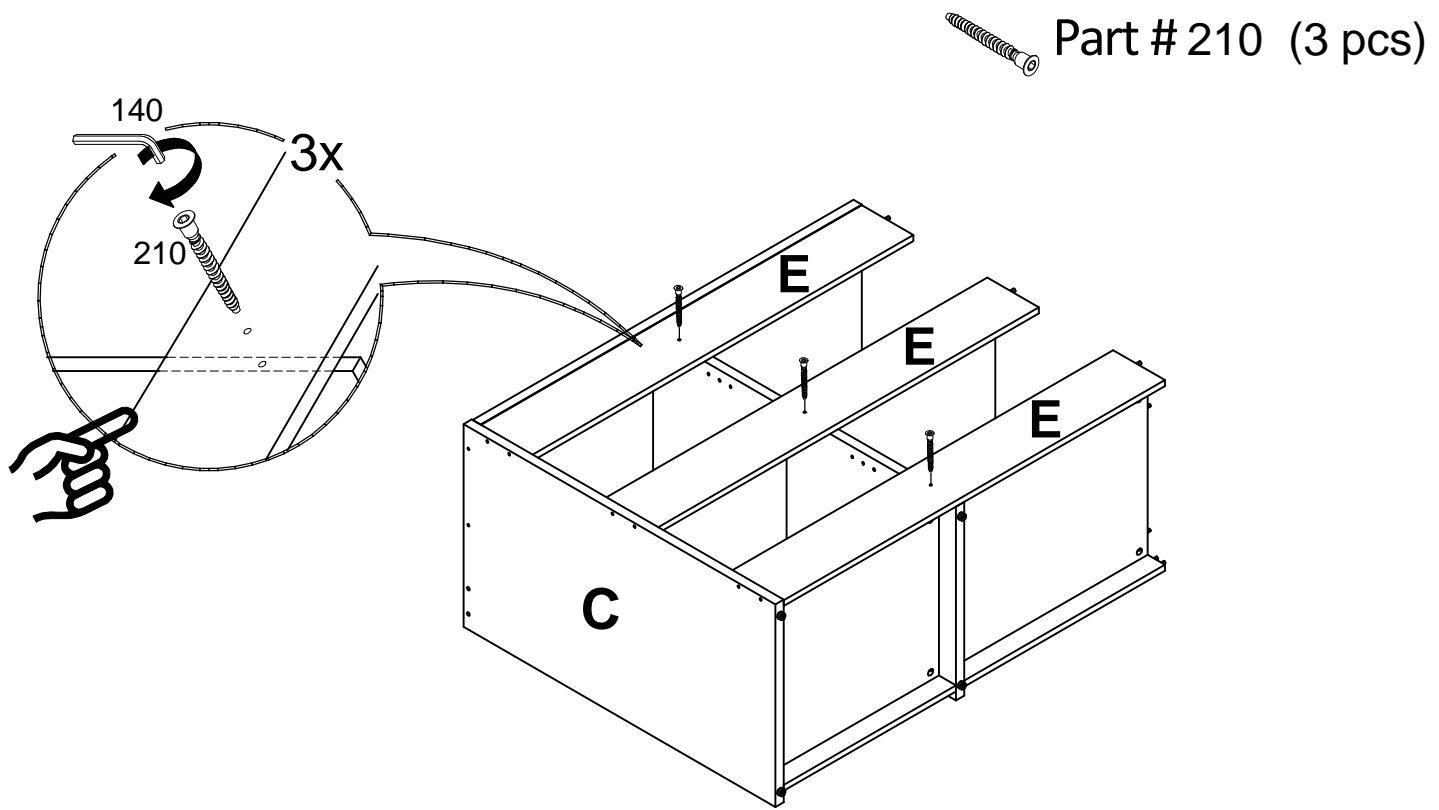
11



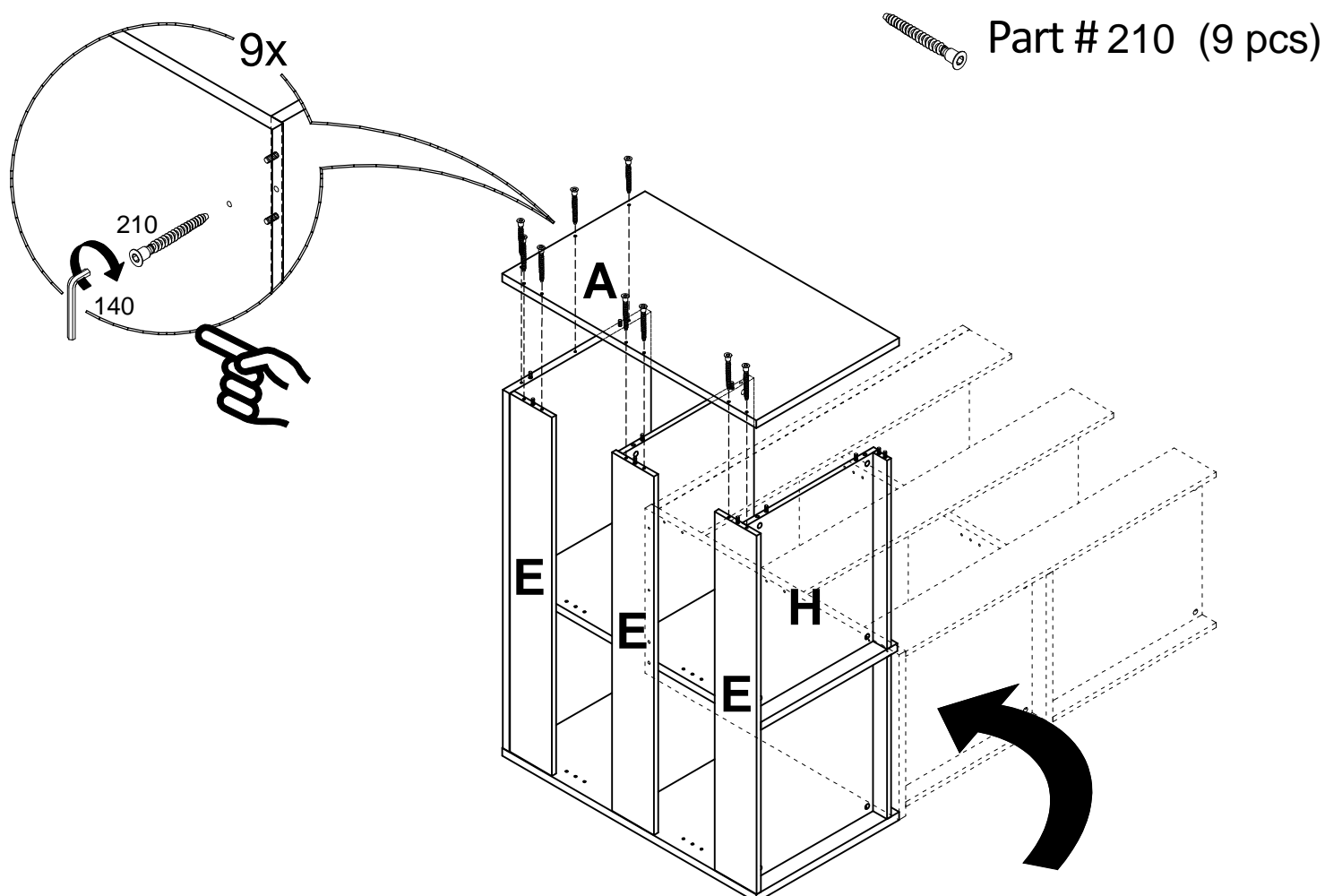
12



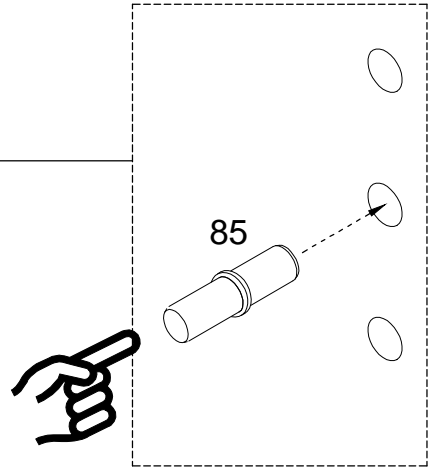
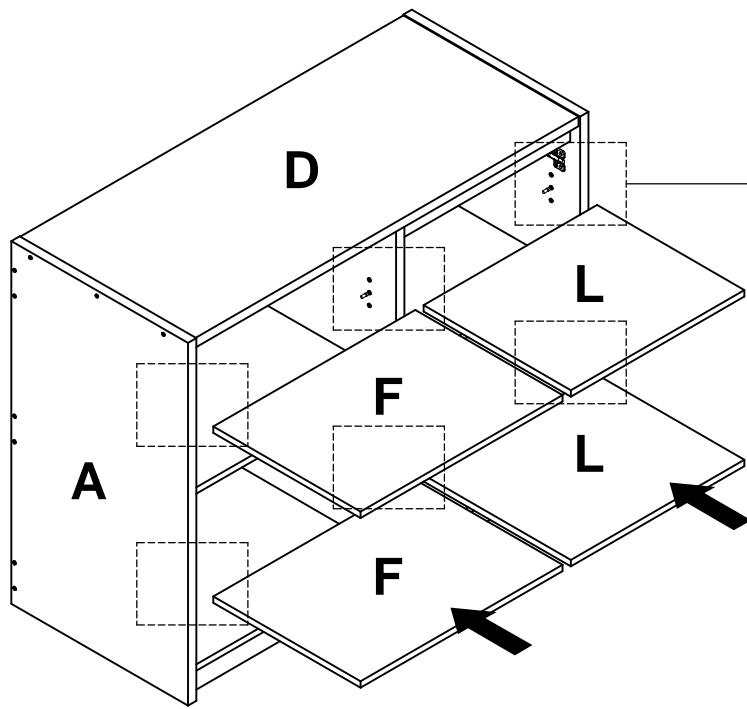
13



14



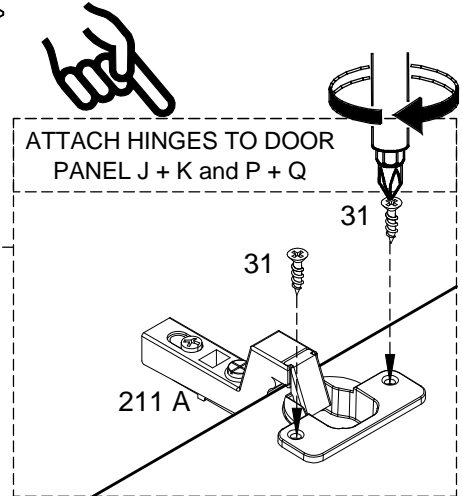
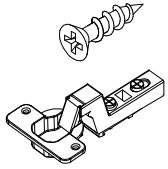
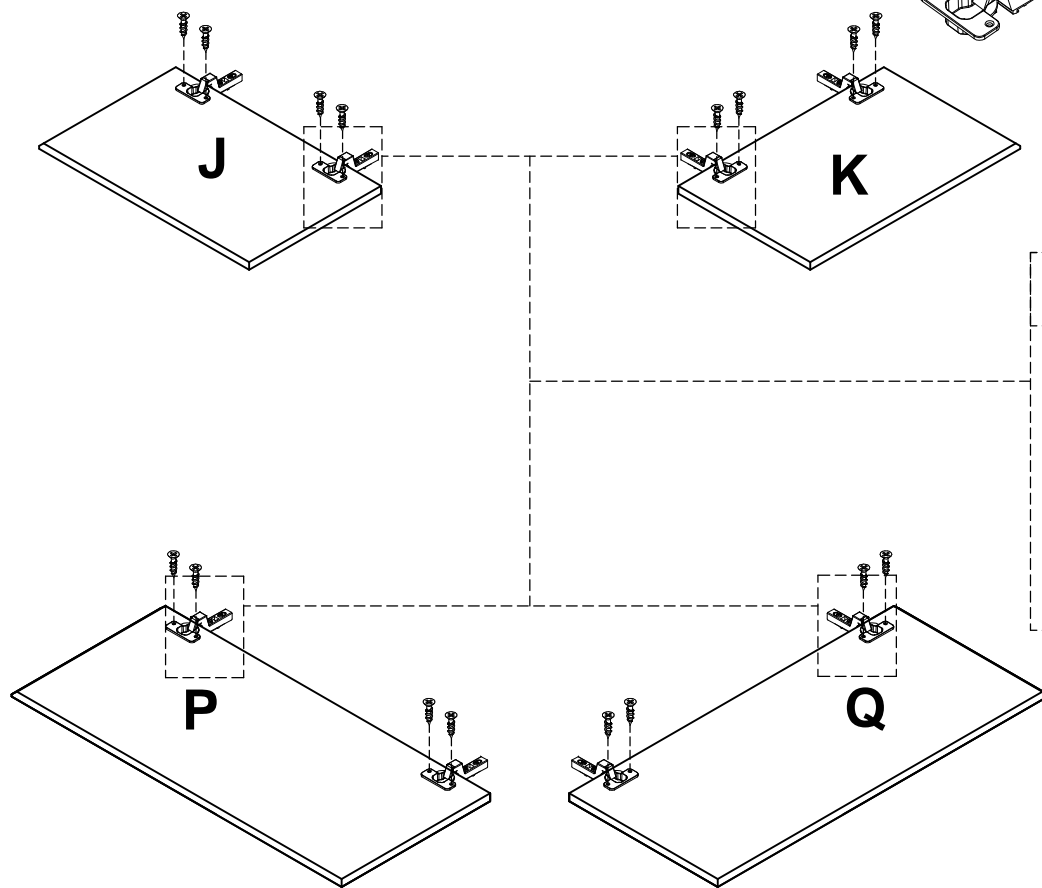
Part # 85 (16 pcs)



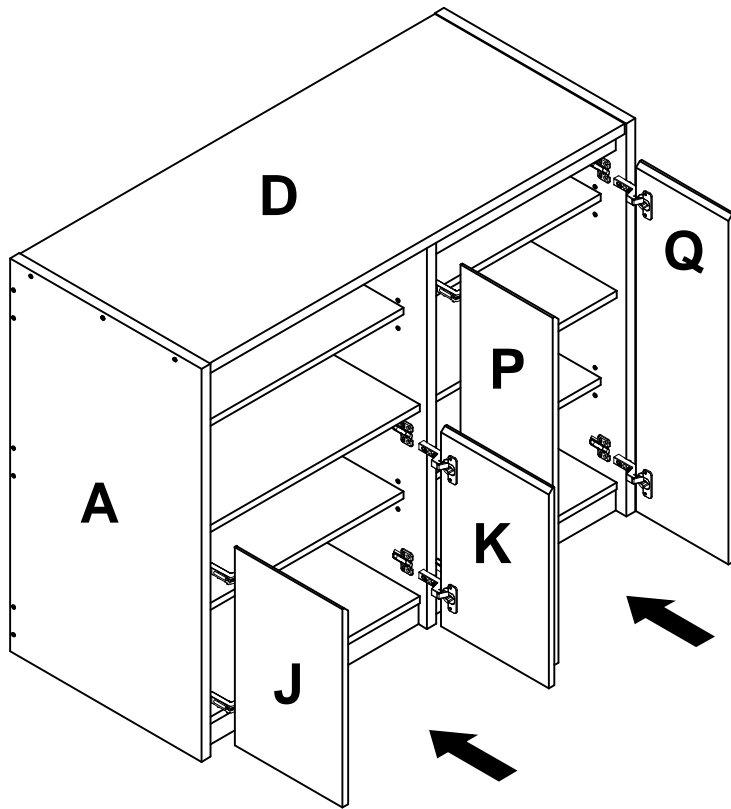
1: Install 16 shelf pins in center hole of each set of 3 holes.

2: Place both panels F and L on shelf pins.

Part # 31 (16 pcs)
Part # 211 A (8 pcs)

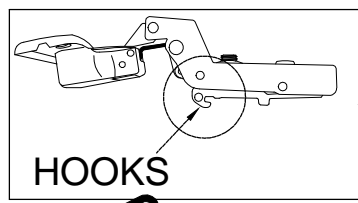


ATTACH HINGES TO DOOR
PANEL J + K and P + Q

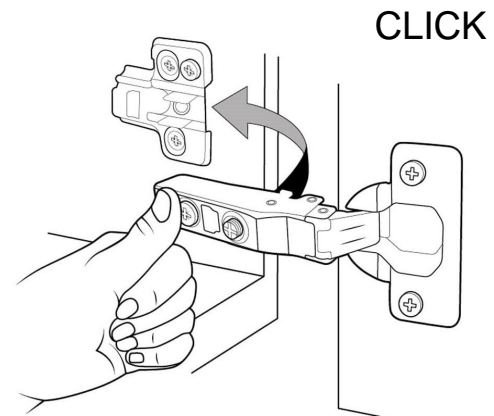


Door Installation

To install, place the 2 hooks of hinge (211A) on the mounting plate (211B) and push the back of the hinge arm down with finger pressure. The "click" sound confirms a secure attachment.



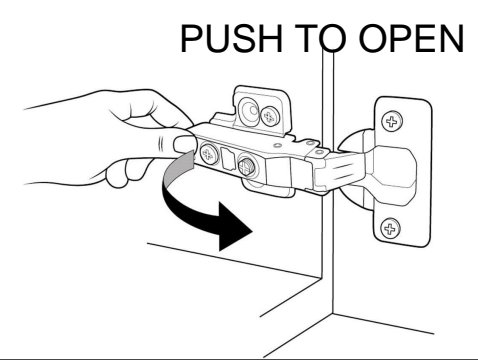
HOOKS



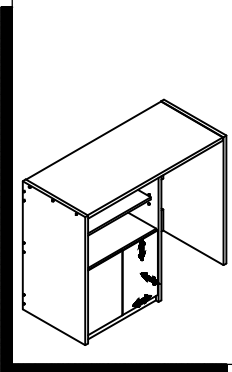
CLICK

Door Removal

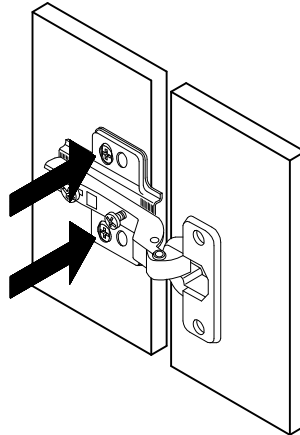
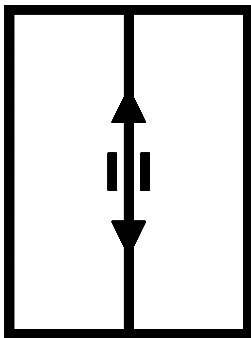
Release the lever under the hinge arm to remove.



PUSH TO OPEN

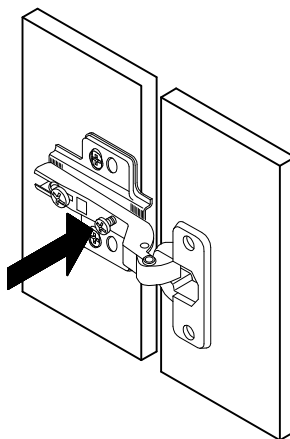
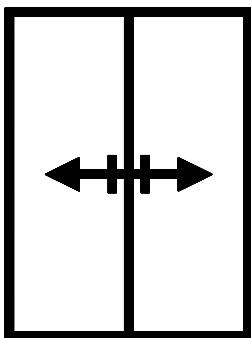


1 VERTICAL ADJUSTMENT To move the door up or down



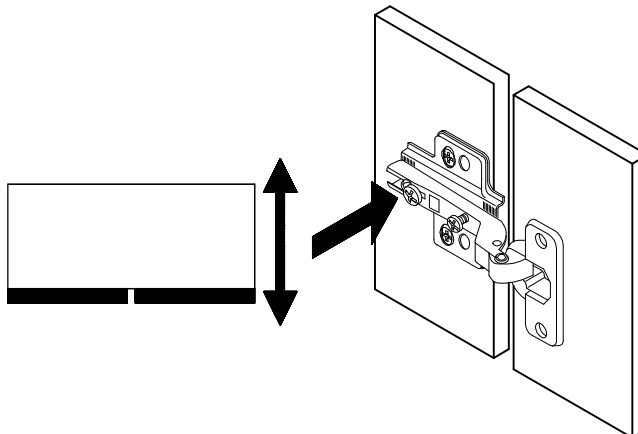
Loosen the screws enough to move the door. Manually lift the door up or down to center of door opening

2 HORIZONTAL ADJUSTMENT To move the door right or left



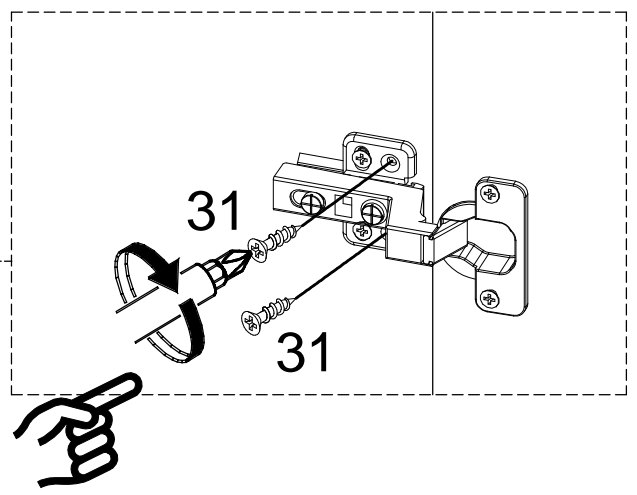
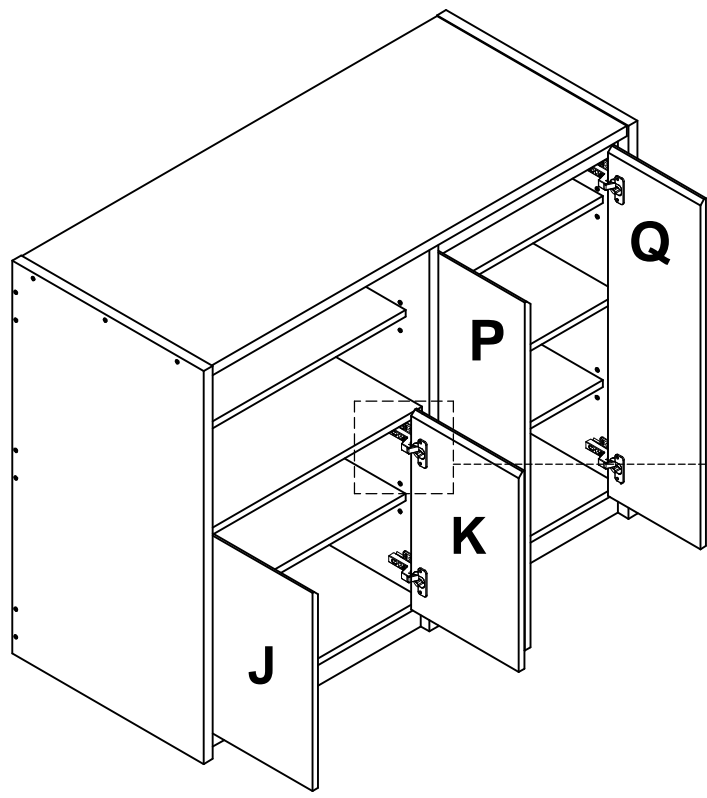
Tighten the screw (clockwise) to move the door away from the middle and loosen the screw (counter-clockwise) to move the door toward the middle.

3 DEPTH ADJUSTMENT To move the forward or backward

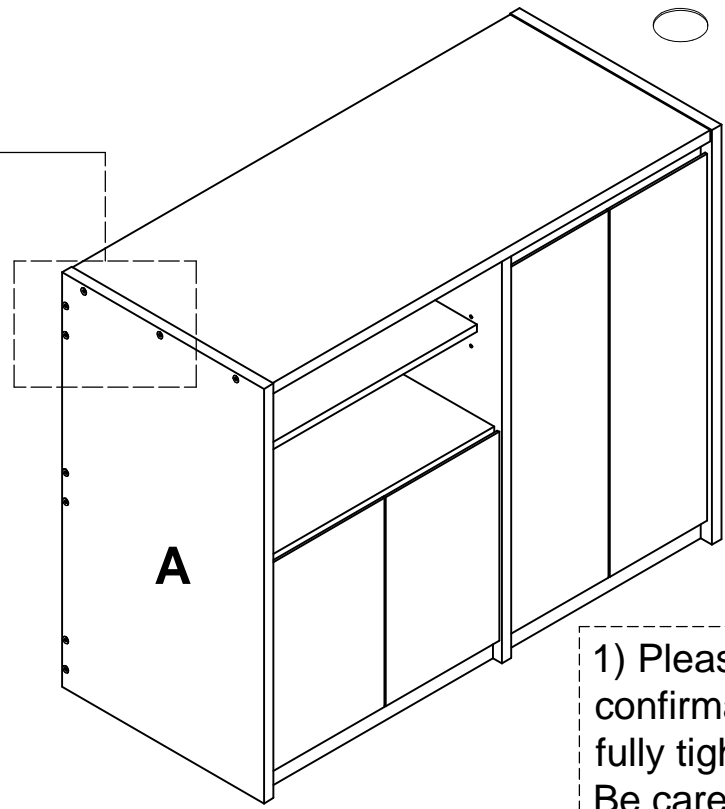
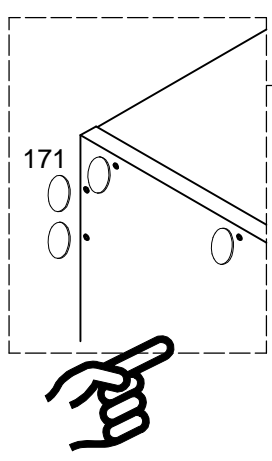


Loosen the screws on each door hinge and manually push or pull the door into the correct position. Use the depth of other doors or drawers, if there are any, as a guide for the depth of the door.

Part # 31 (16 pcs)



Part # 171 (18 pcs)



- 1) Please double check that all confirmat screws (210) are fully tightened. Be careful not to over-tighten the screws.
- 2) Place color sticker (171) on the top of confirmat screw head (210).