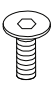
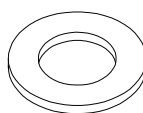
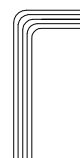
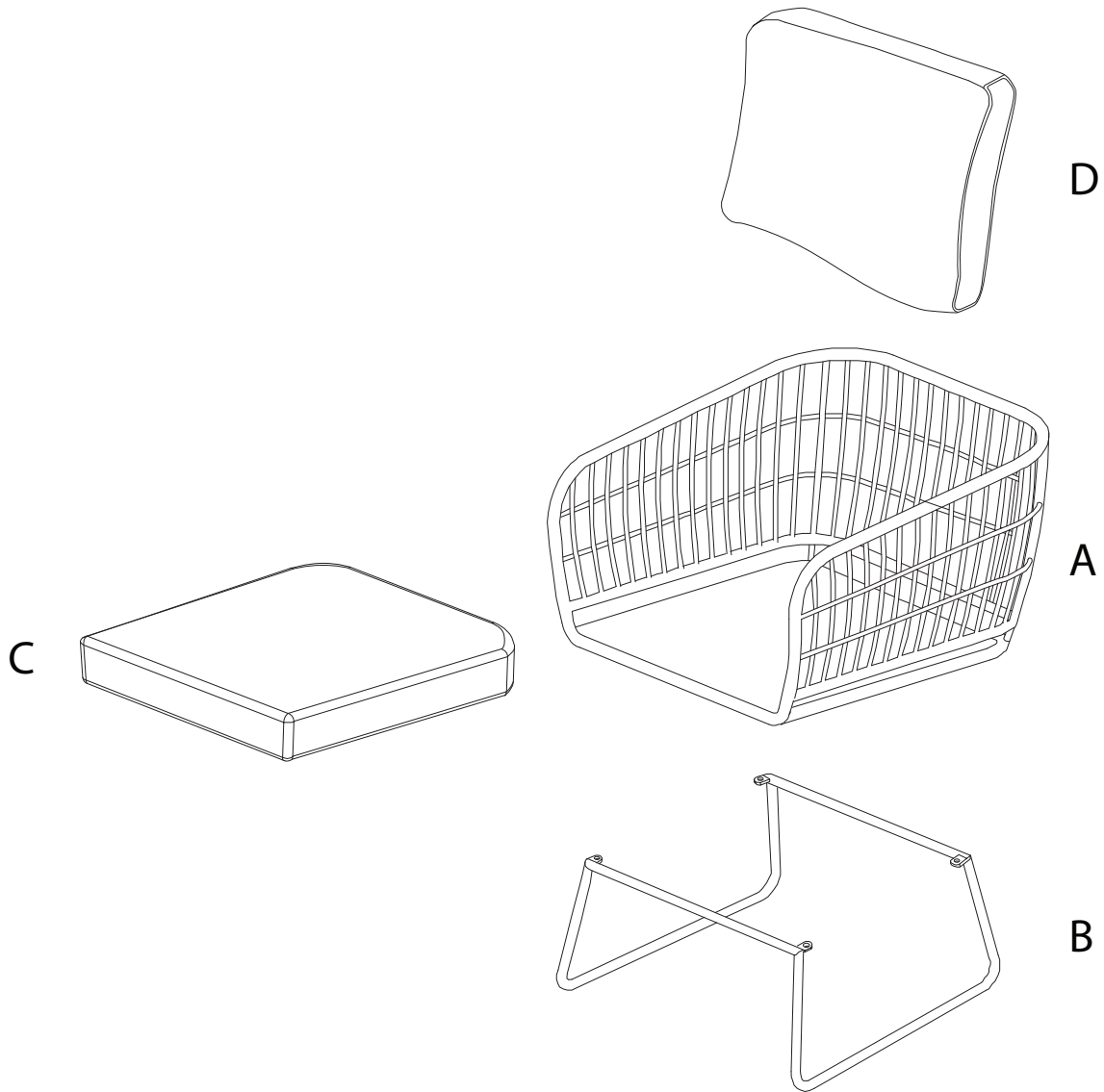
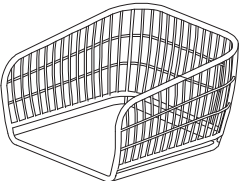
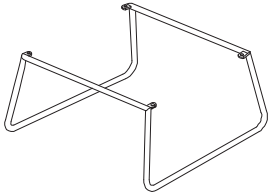
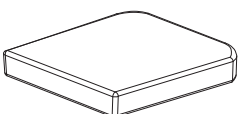
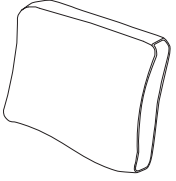


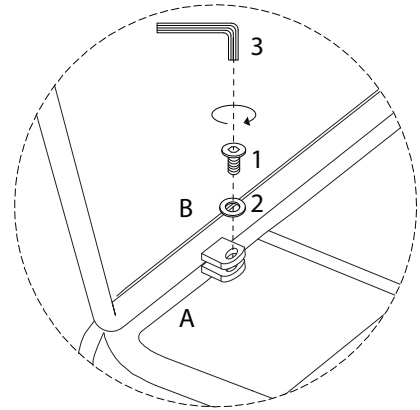
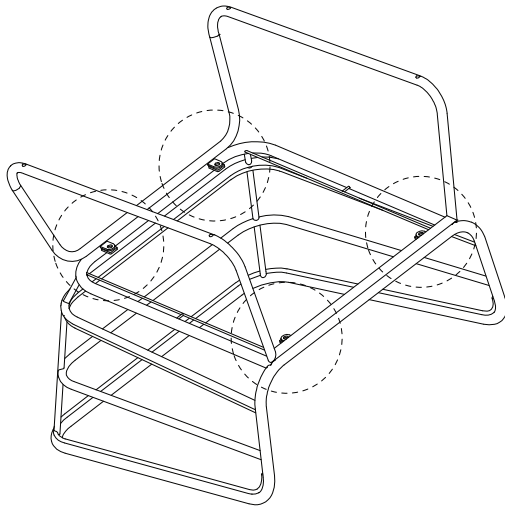
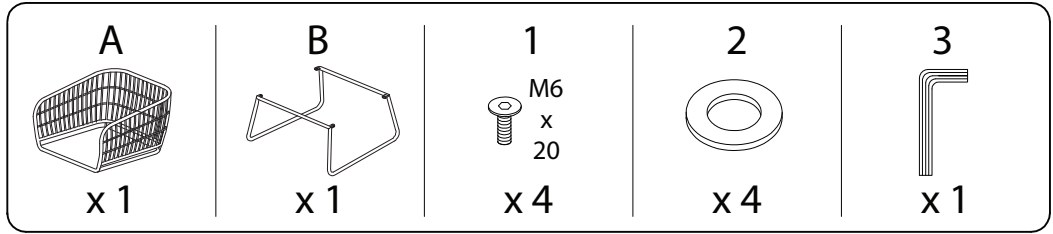
A x 2

<p>1</p>  <p>M6 x 20</p> <p>x 4</p>	<p>2</p>  <p>x 4</p>	<p>3</p>  <p>x 1</p>
------------------------------------------------------------------------------------------------------------------------------	-------------------------------------------------------------------------------------------------------	---------------------------------------------------------------------------------------------------------

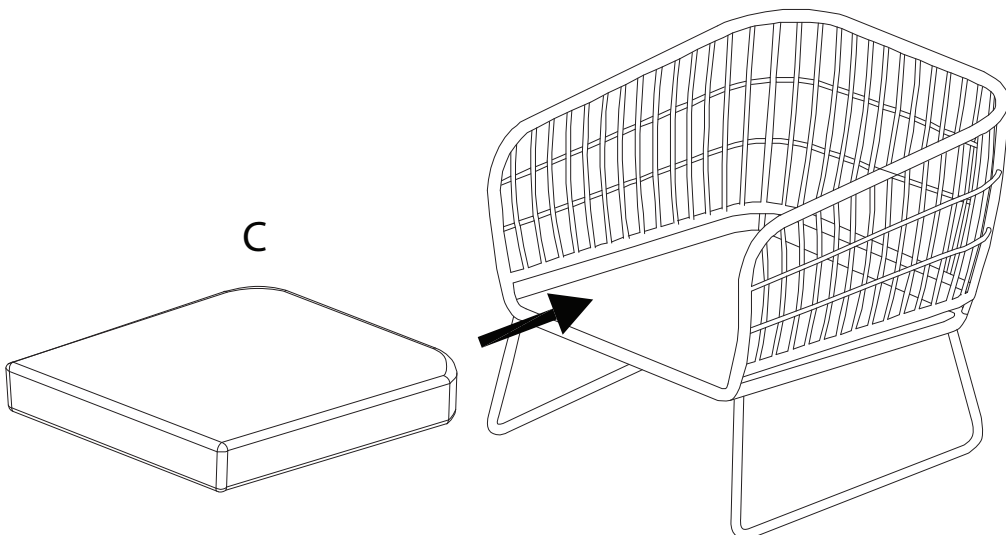
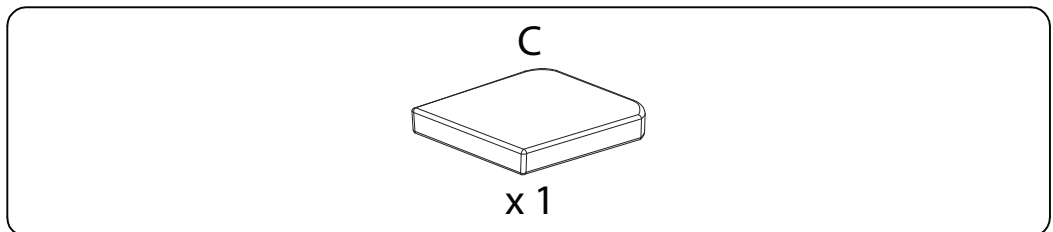


<p>A</p>  <p>x 1</p>	<p>B</p>  <p>x 1</p>	<p>C</p>  <p>x 1</p>	<p>D</p>  <p>x 1</p>
---------------------------------------------------------------------------------------------------------	---------------------------------------------------------------------------------------------------------	----------------------------------------------------------------------------------------------------------	-----------------------------------------------------------------------------------------------------------

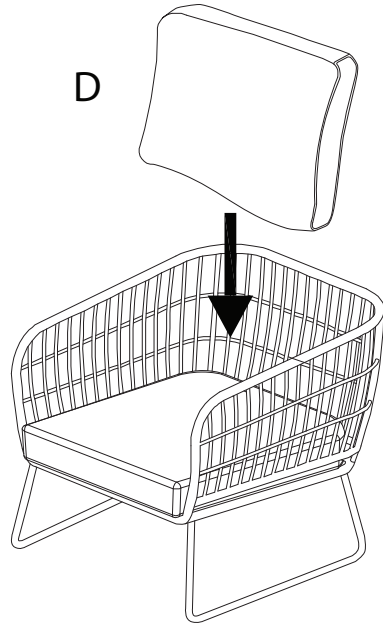
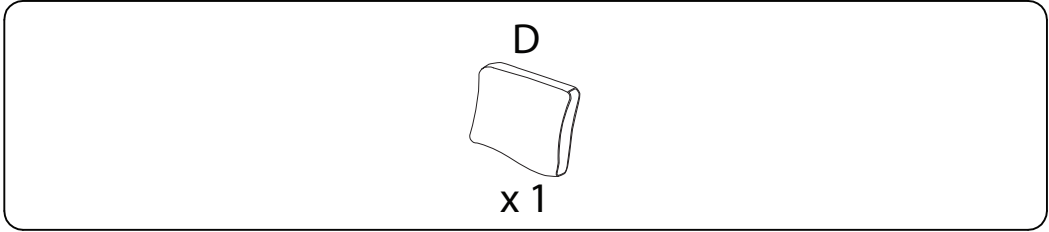
1




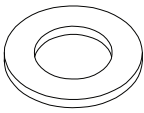

2

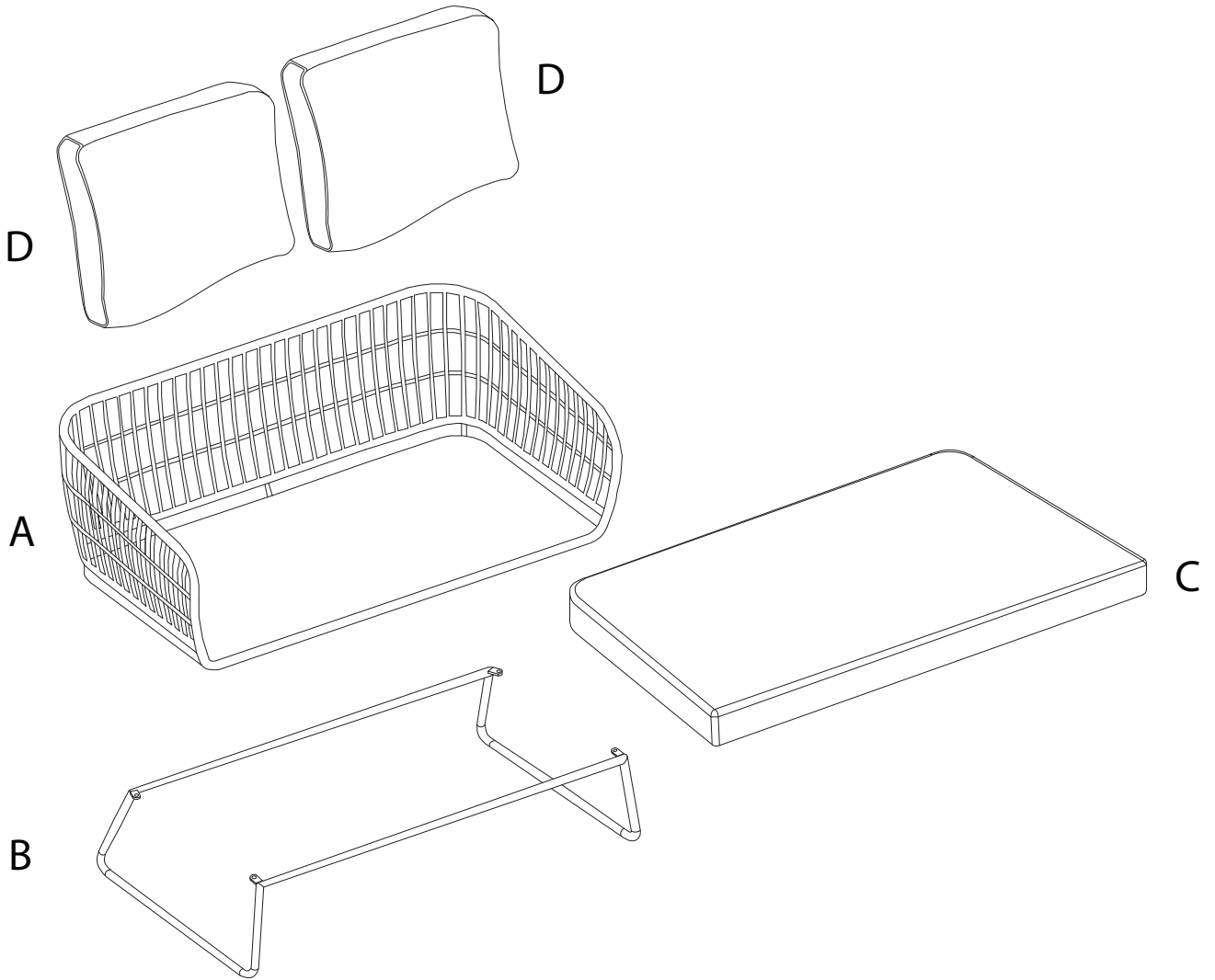


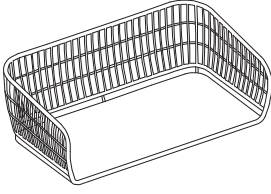
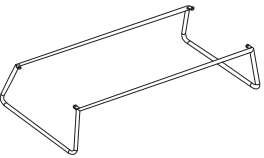
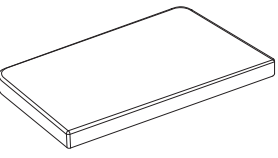
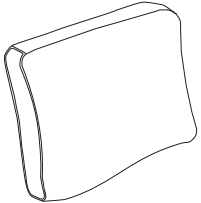
3



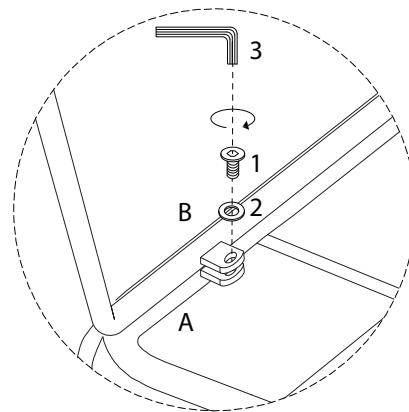
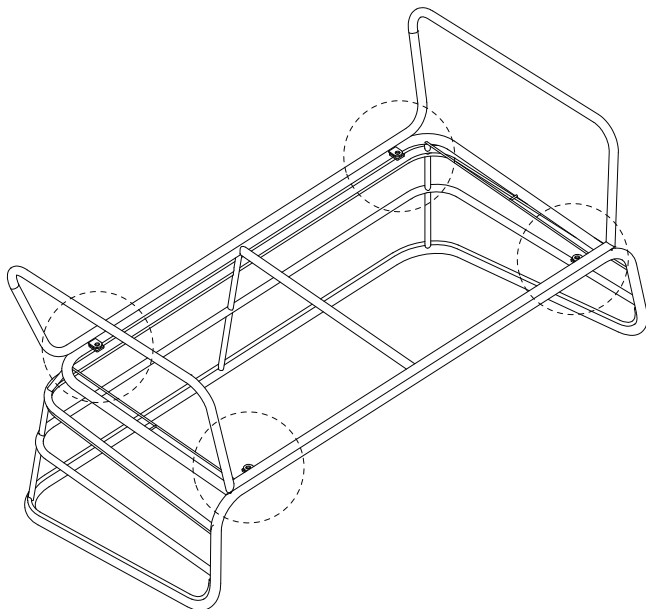
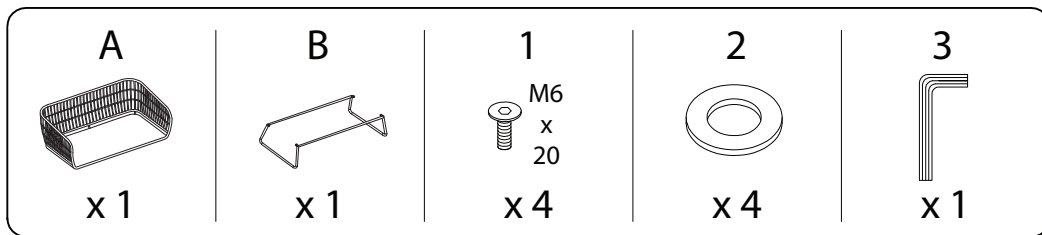
B

<p>1</p>  <p>M6 x 20</p> <p>x 4</p>	<p>2</p>  <p>x 4</p>	<p>3</p>  <p>x 1</p>
------------------------------------------------------------------------------------------------------------------------------	-------------------------------------------------------------------------------------------------------	---------------------------------------------------------------------------------------------------------

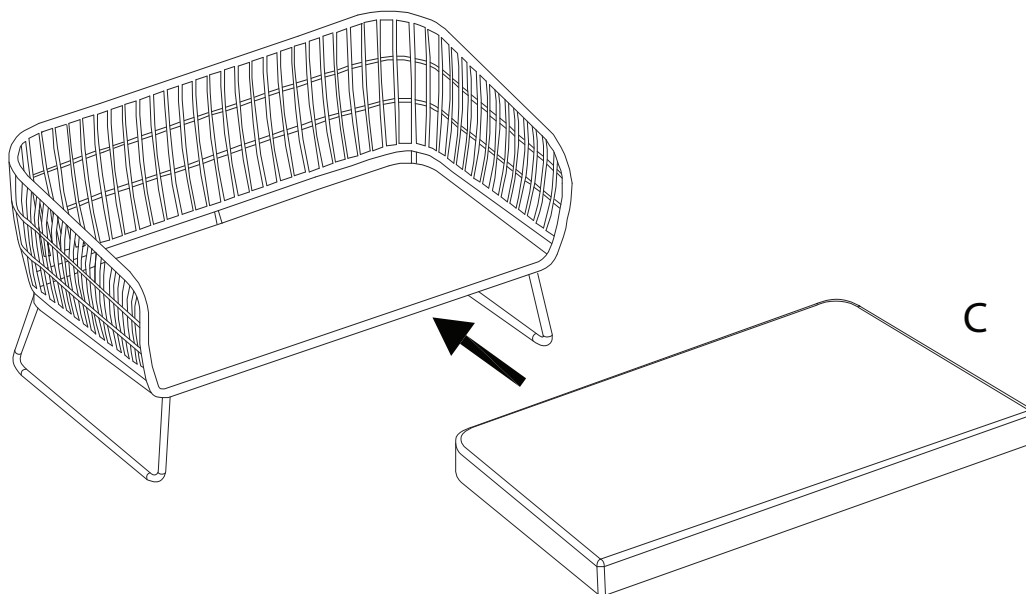
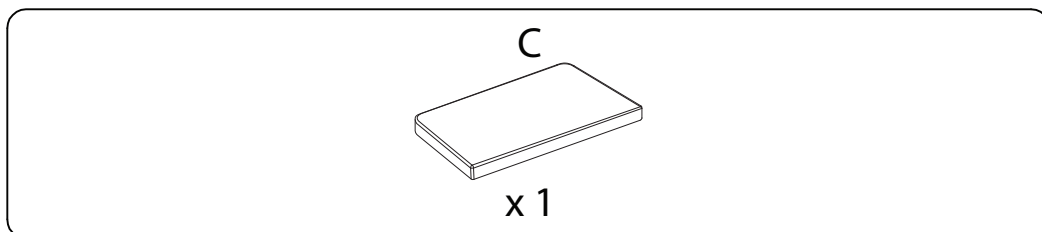


<p>A</p>  <p>x 1</p>	<p>B</p>  <p>x 1</p>	<p>C</p>  <p>x 1</p>	<p>D</p>  <p>x 2</p>
---------------------------------------------------------------------------------------------------------	---------------------------------------------------------------------------------------------------------	----------------------------------------------------------------------------------------------------------	-----------------------------------------------------------------------------------------------------------

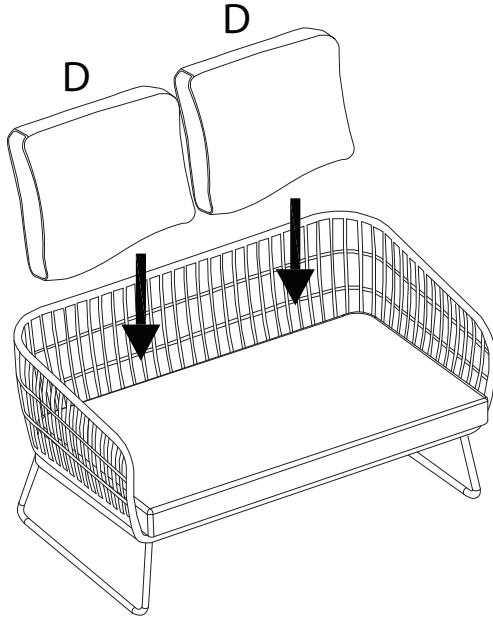
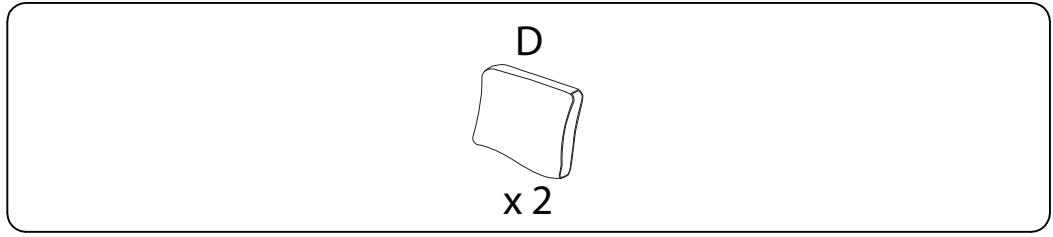
1



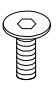
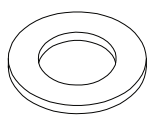
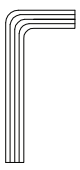
2

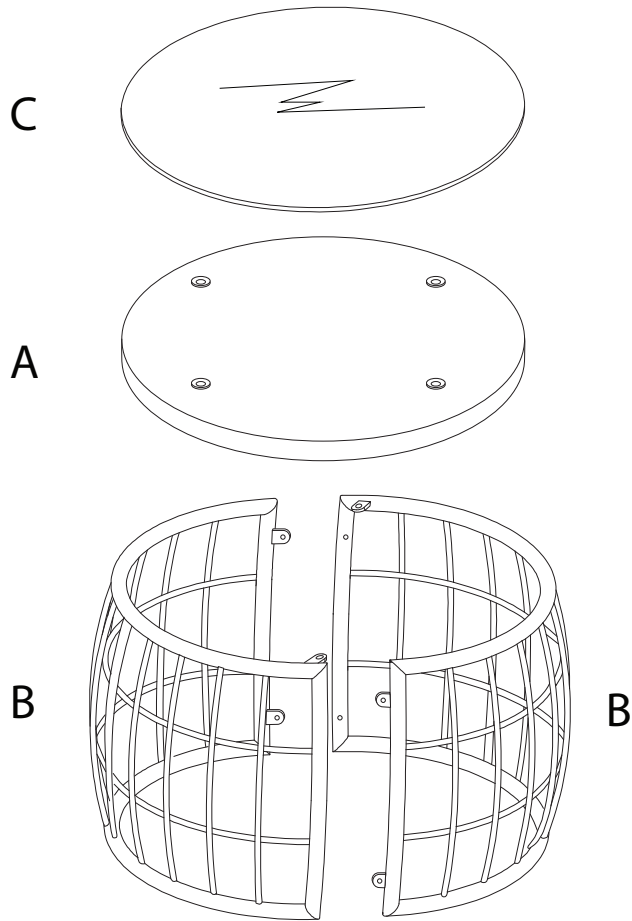


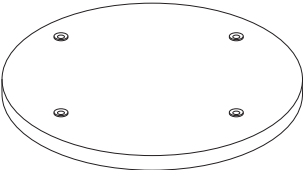
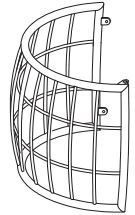
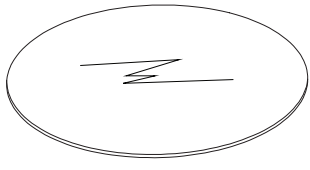
3



C

<p>1</p>  <p>M6 x 20</p> <p>x 6</p>	<p>2</p>  <p>x 6</p>	<p>3</p>  <p>x 1</p>
------------------------------------------------------------------------------------------------------------------------------	-------------------------------------------------------------------------------------------------------	---------------------------------------------------------------------------------------------------------



<p>A</p>  <p>x 1</p>	<p>B</p>  <p>x 2</p>	<p>C</p>  <p>x 1</p>
---------------------------------------------------------------------------------------------------------	---------------------------------------------------------------------------------------------------------	-----------------------------------------------------------------------------------------------------------

1

B



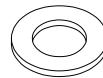
x 2

1



x 4

2

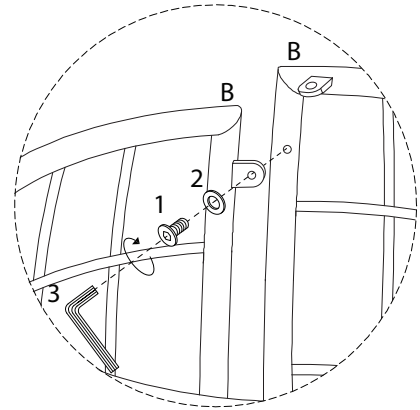
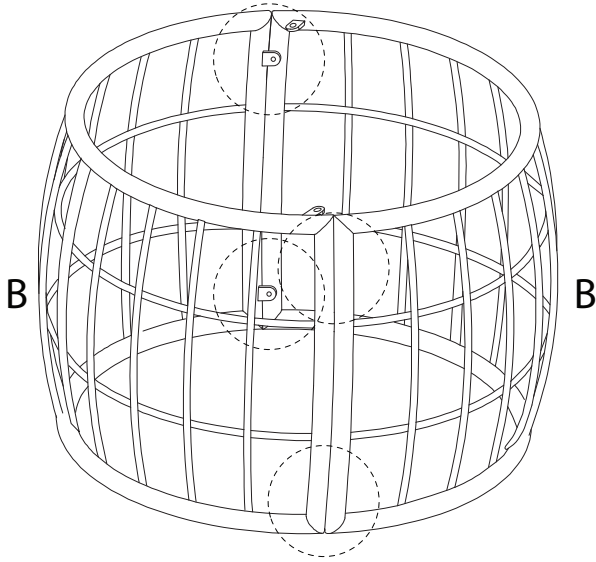


x 4

3

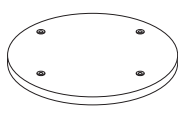


x 1



2

A



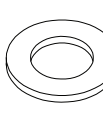
x 1

1



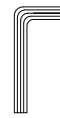
x 2

2

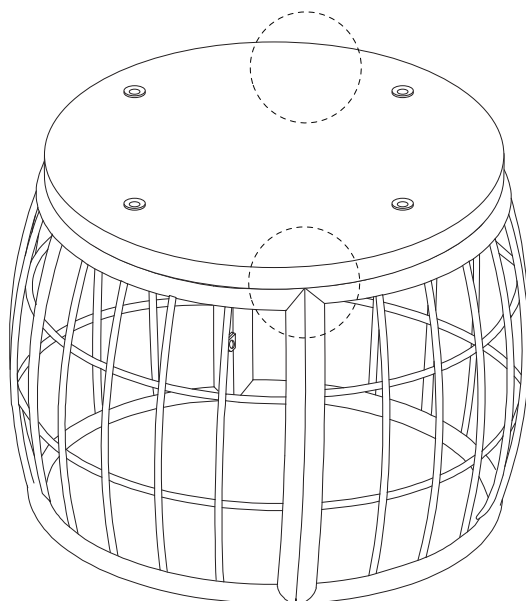


x 2

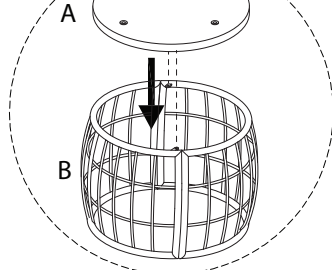
3



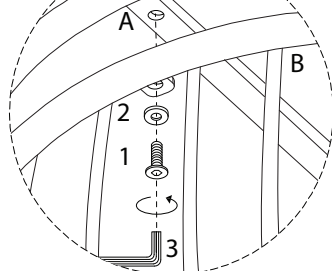
x 1



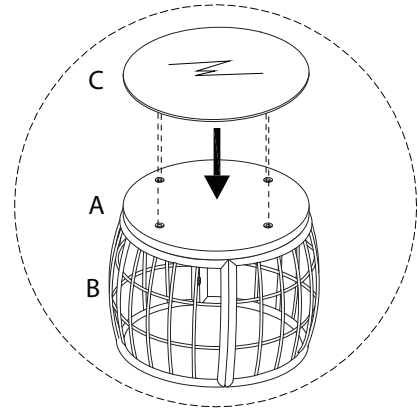
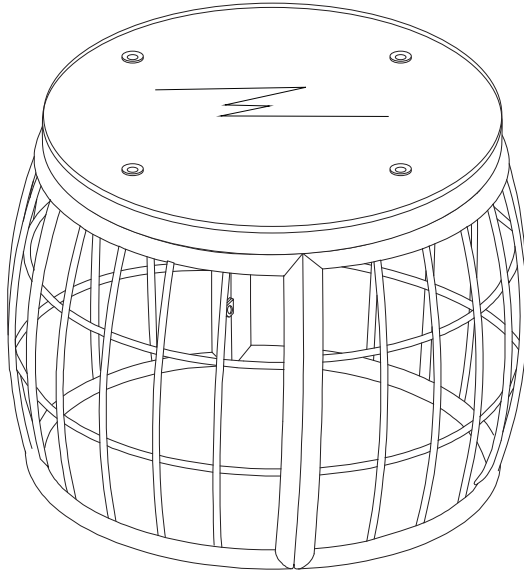
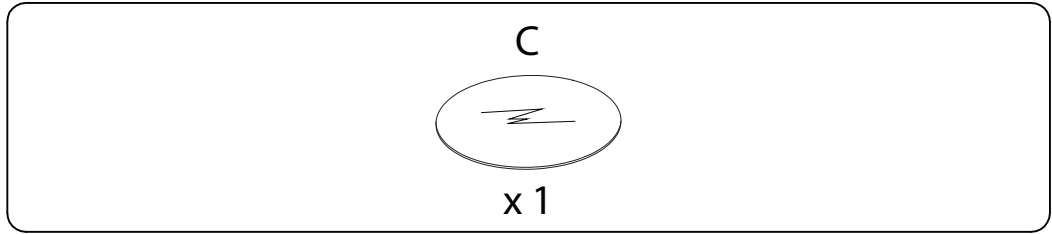
1a



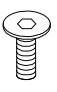
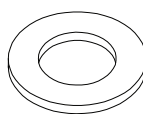
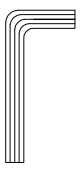
1b

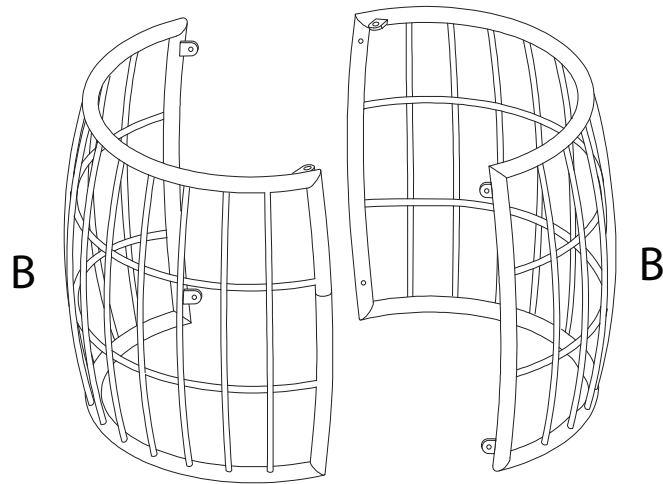
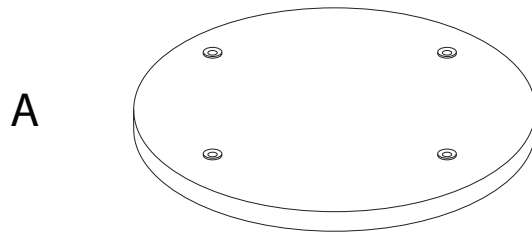
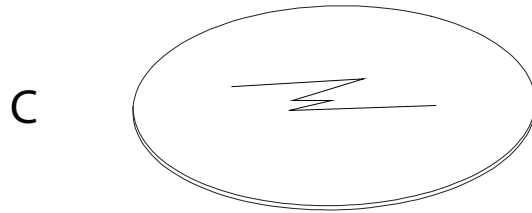


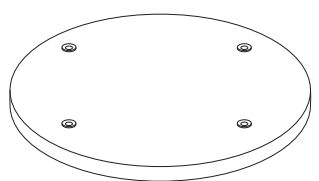

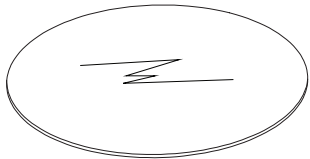
3



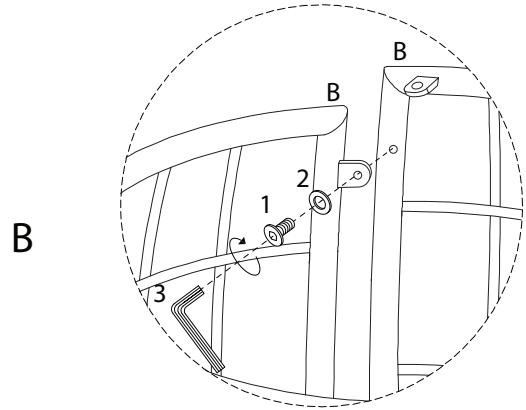
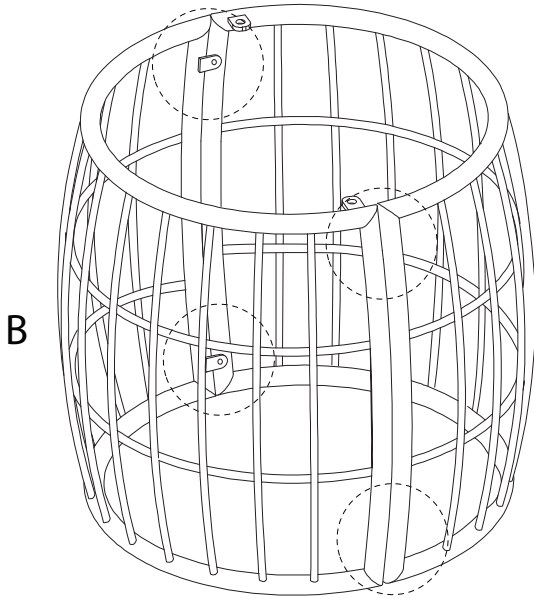
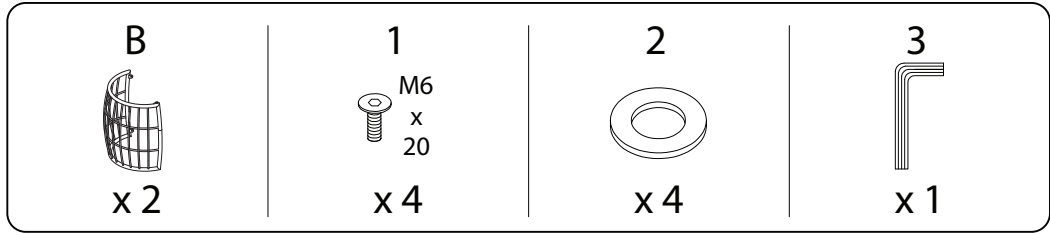
D

<p>1</p>  <p>M6 x 20</p> <p>x 6</p>	<p>2</p>  <p>x 6</p>	<p>3</p>  <p>x 1</p>
------------------------------------------------------------------------------------------------------------------------------	-------------------------------------------------------------------------------------------------------	---------------------------------------------------------------------------------------------------------

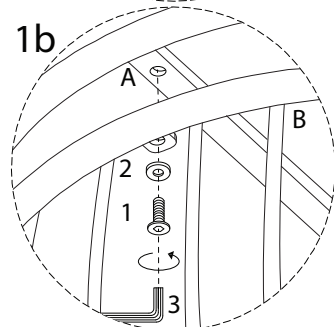
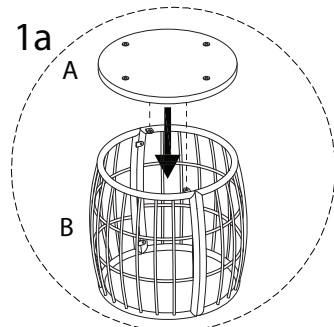
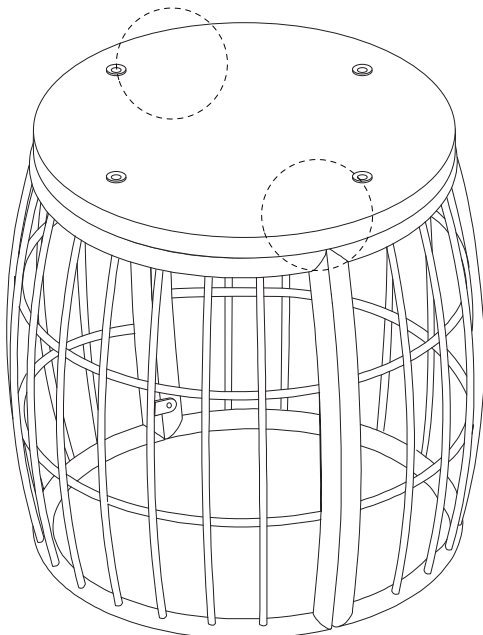
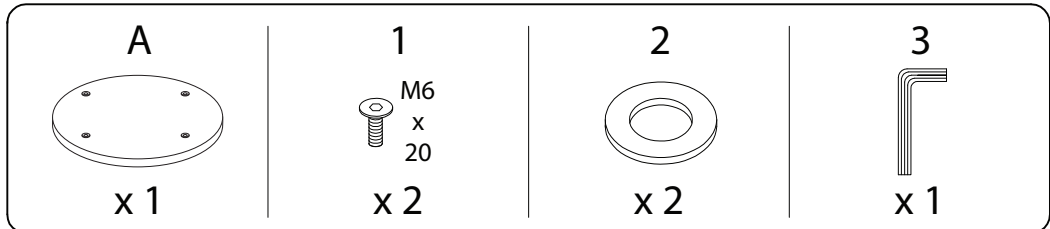


<p>A</p>  <p>x 1</p>	<p>B</p>  <p>x 2</p>	<p>C</p>  <p>x 1</p>
---------------------------------------------------------------------------------------------------------	---------------------------------------------------------------------------------------------------------	-----------------------------------------------------------------------------------------------------------

1



2



3

