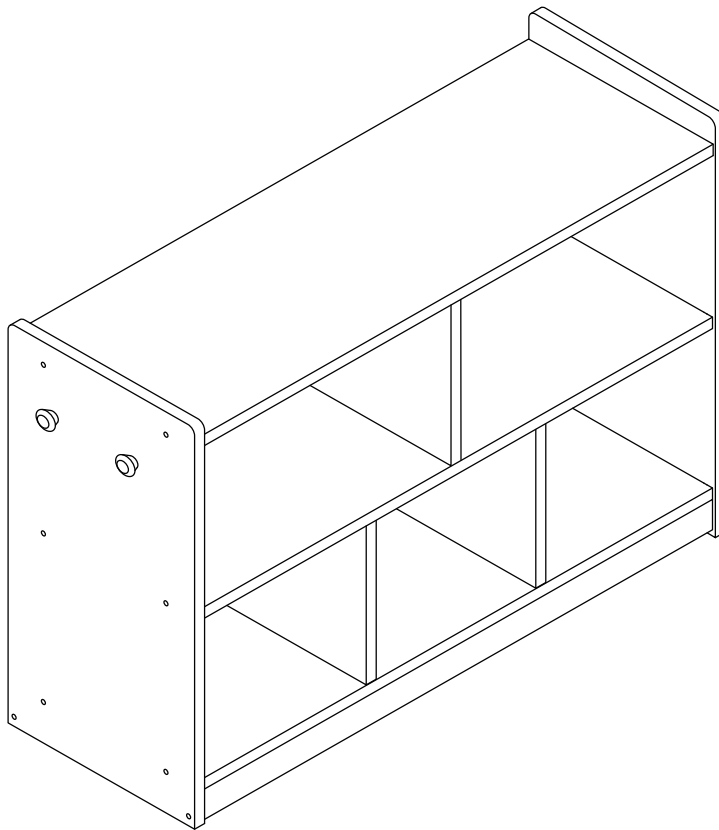


INSTRUCTION

3+

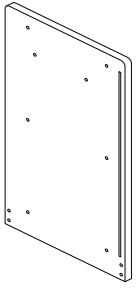


Product name: Toy Storage
Model: JYCW001/JYCW002
Manufacturer: Ningbo Joy Kids Products Co.,Ltd
Address: Ningbo,Zhejiang,CHINA
E-mail:lininyhao@outlook.com

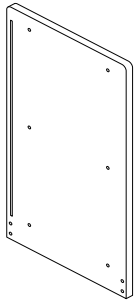
NOTE : Please read instructions before assembly
If incorrect assembly, could reasonably result in the creation of a hazard

⚠ WARNING:
Assembly by an Adult

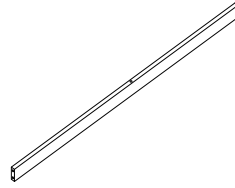
⚠ WARNING:
CHOKING HAZARD-Small parts.
Not for children under 3 years



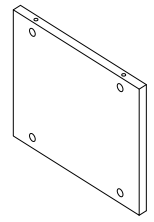
1 x1pcs



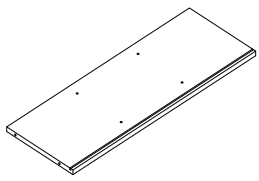
2 x1pcs



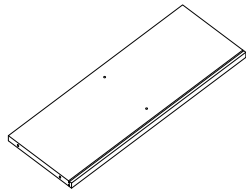
3 x2pcs



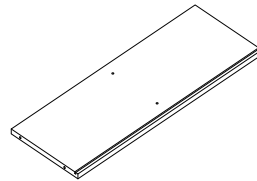
4 x3pcs



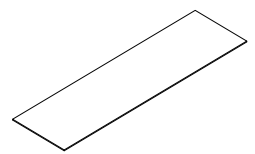
5 x1pcs



6 x1pcs



7 x1pcs



8 x2pcs



φ 5X40mm

9 x16pcs



φ 4X40mm

10 x2pcs



11 x12pcs



12 x12pcs



φ 4X25mm

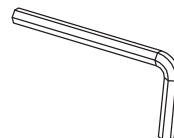
13 x2pcs



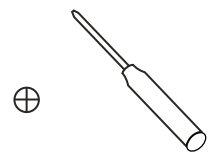
14 x4pcs



15 x2pcs

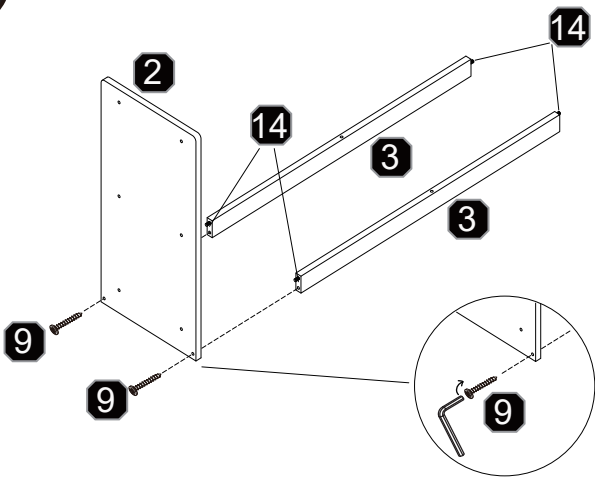


16 x1pcs

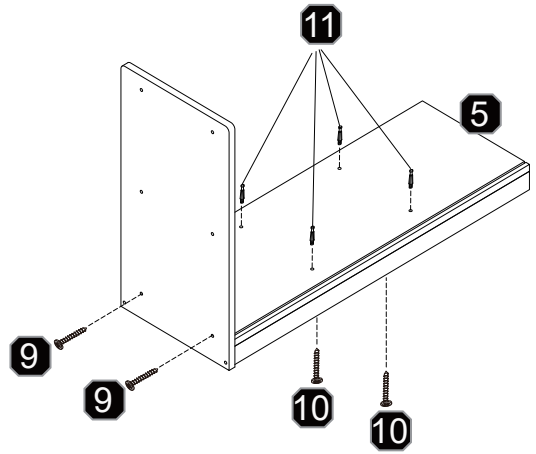


TOOL REQUIRED
(NOT INCLUDED)

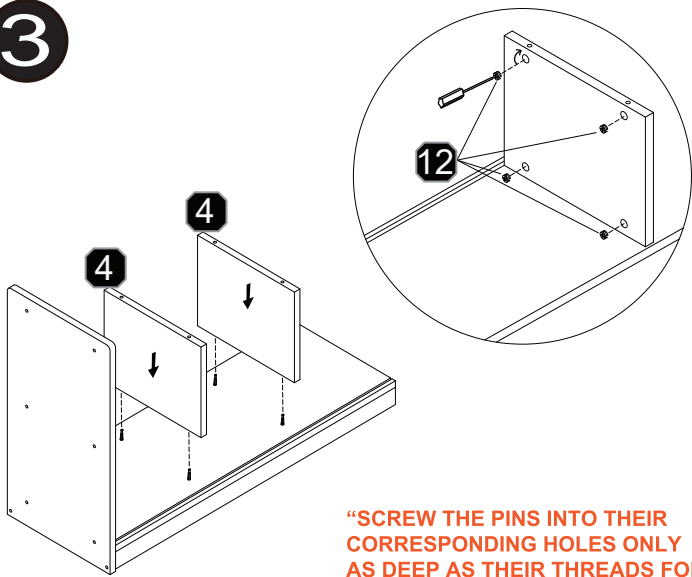
1



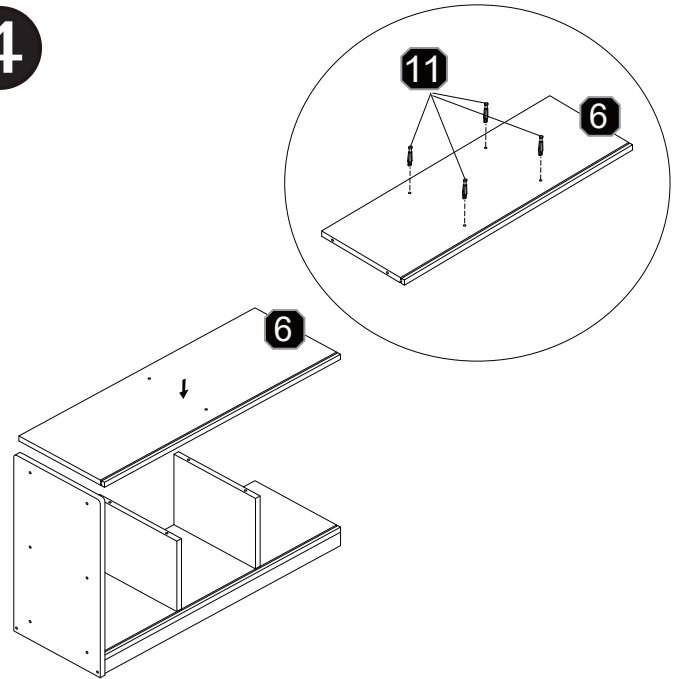
2



3

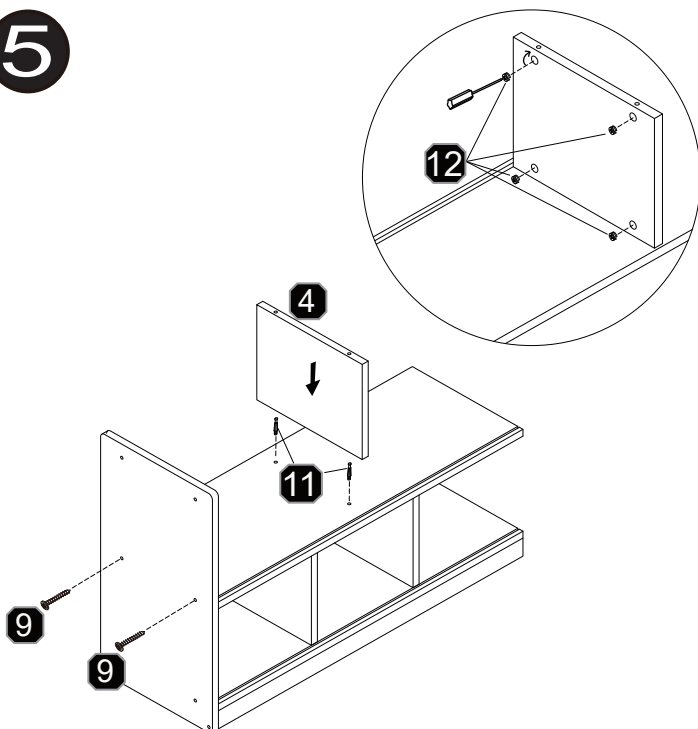


4

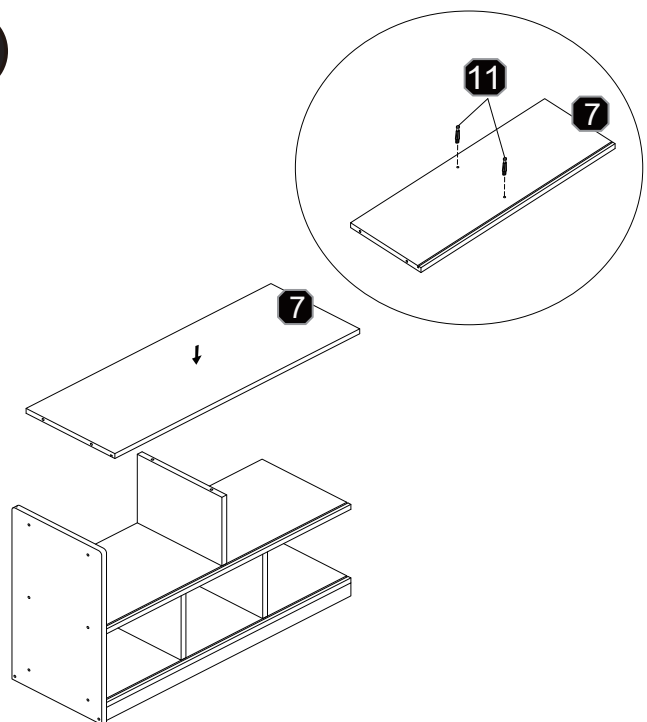


"SCREW THE PINS INTO THEIR CORRESPONDING HOLES ONLY AS DEEP AS THEIR THREADS FOR STEPS 3,4,5 AND 6. INSERT THE CAMS INTO THEIR HOLES. SECURE THE CAM AROUND THE HEAD OF THE PIN BY TURNING CLOCKWISE UNTIL IT IS TIGHT."

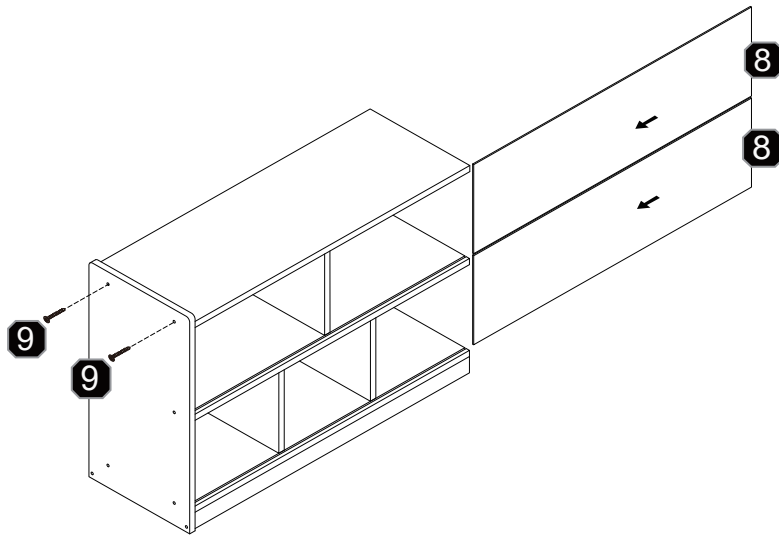
5



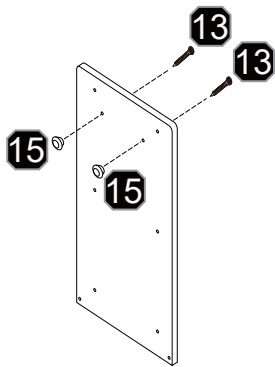
6



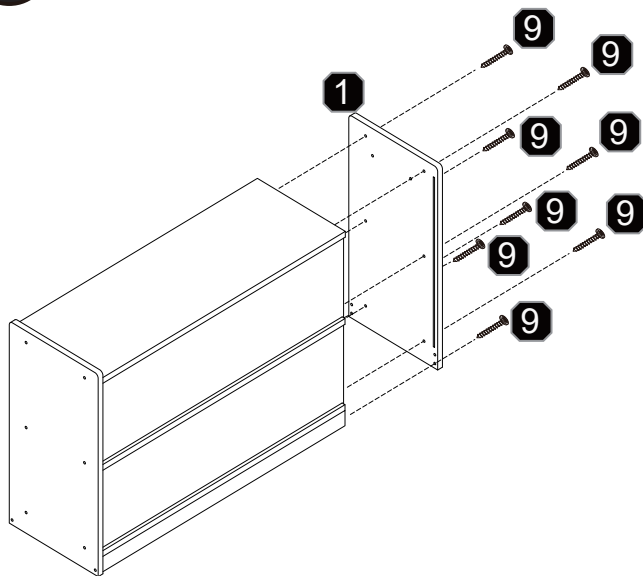
7



8



9



10

