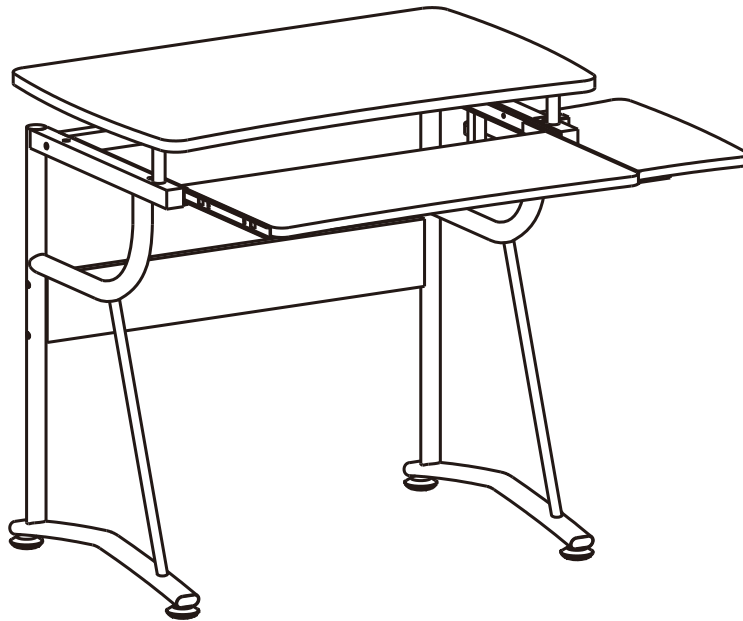
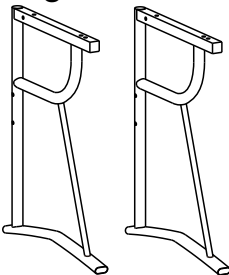

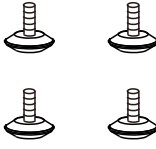
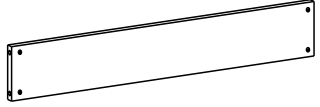
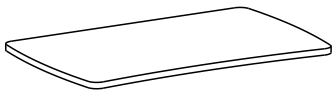
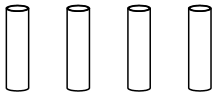
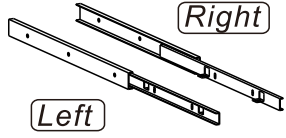

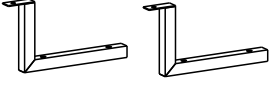
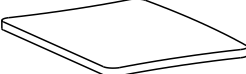
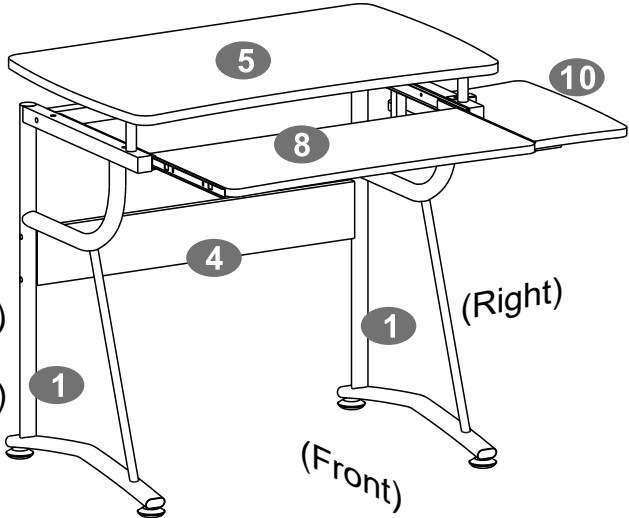



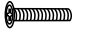
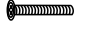
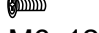
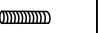


## ASSEMBLY INSTRUCTIONS

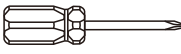

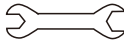


Thank you for purchasing our product!

## MAIN PARTS LIST

<p><b>#1</b> Legs x2</p> 	<p><b>#2</b> Long tube</p> 	<p><b>#3</b> Glide studs x4</p> 	<p><b>#4</b> Back</p> 
<p><b>#5</b> Tabletop</p> 	<p><b>#6</b> Support tubes x4</p> 	<p><b>#7</b> Sliders x1 Set</p> 	<p><b>#8</b> Keyboard tray</p> 
<p><b>#9</b> Side supports x2</p> 	<p><b>#10</b> Side shelf</p> 	<p><b>Main parts Layout</b> (For Reference and orientation)</p> 	

Hardware		
No.	Item	Qty.
A	 M6x60	6
B	 M6x40	4
C	 M4x33	4
D	 M6x12	2
E	 M6x25	4
F	 M4x14	4
G	 M6x30	4

Included Tools	
Phillips Screwdriver	 
Hex key (Spanner)	

For support with assembly questions & replacement parts please email us



Free shipping within **the 48 Contiguous United States.**



For international customers & **AK-HI-PR** orders, **the customer is responsible for shipping costs plus any International local taxes or duties.**

### ASSEMBLY STEPS

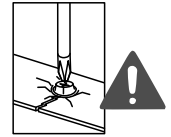
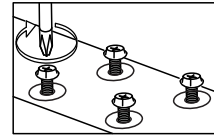
- Use sheets or blankets to protect the product's finish during assembly.



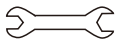
- Some of the steps might require 2 people.



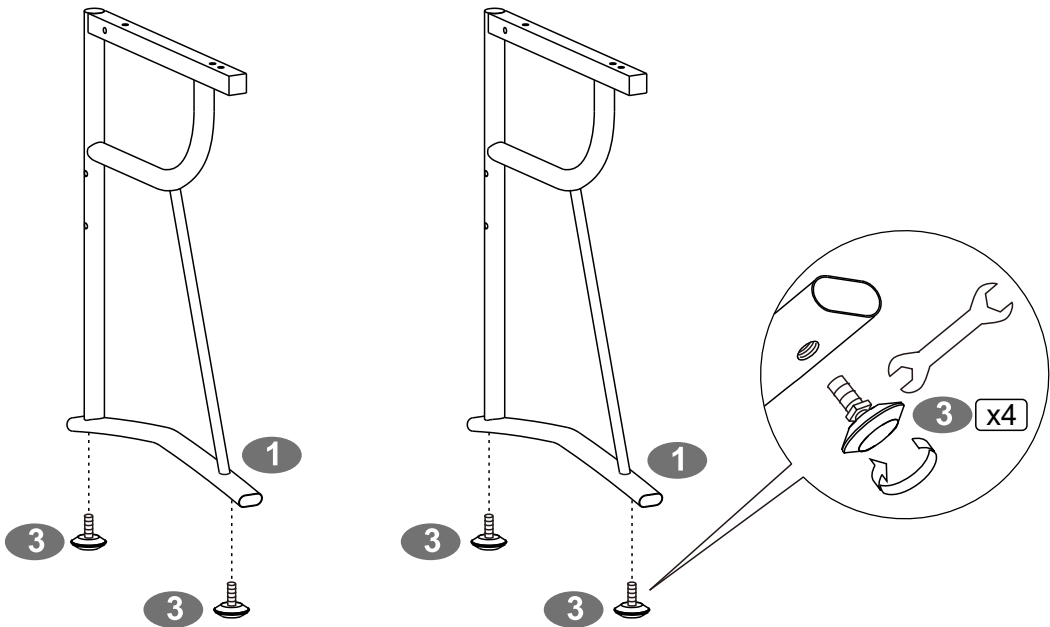
- Install the screws loosely, tighten after all are positioned, and DO NOT overtighten.



#### STEP 1



Install #3 into the bottom holes of the legs #1.

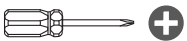


#### STEP 2

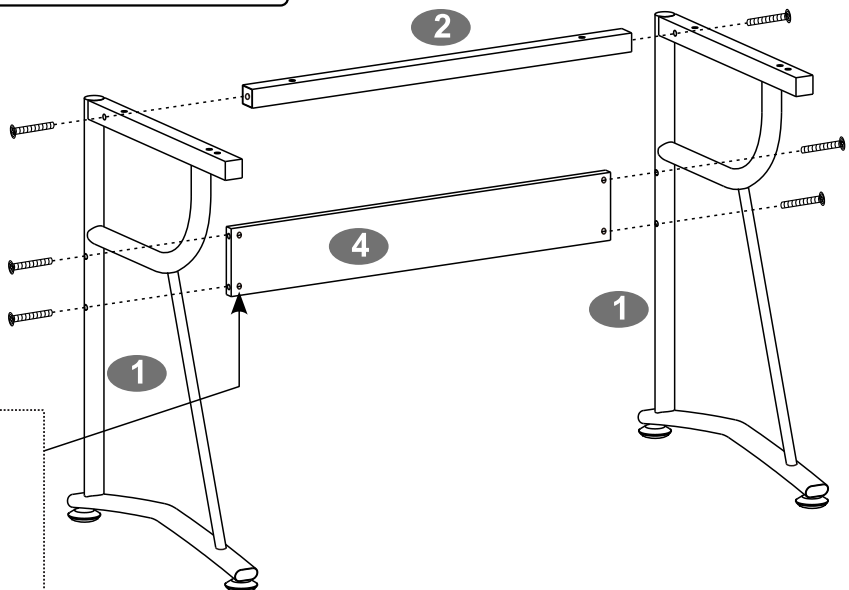
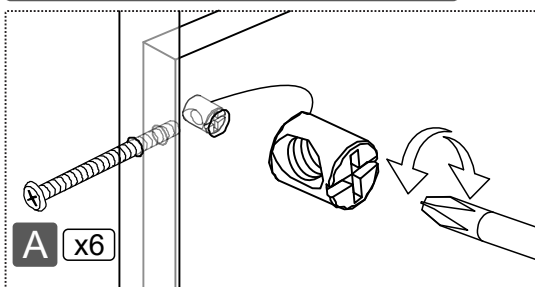


Use A to assemble #2 and #4 to #1.

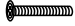
A  6  
M6x60



**⚠ PAY ATTENTION!**  
On #4, you might need to align the nuts by turning them so their holes can receive the screws.

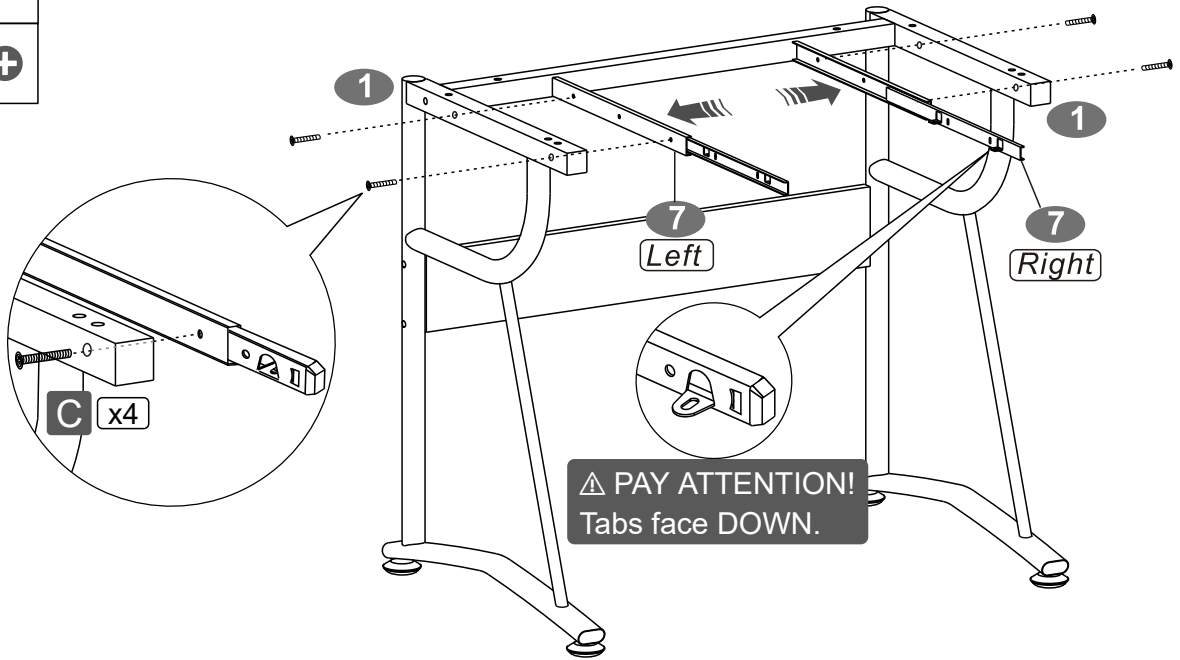


**STEP 3**

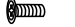
**C**  4  
M4x33



Use C to install #7 to #1.

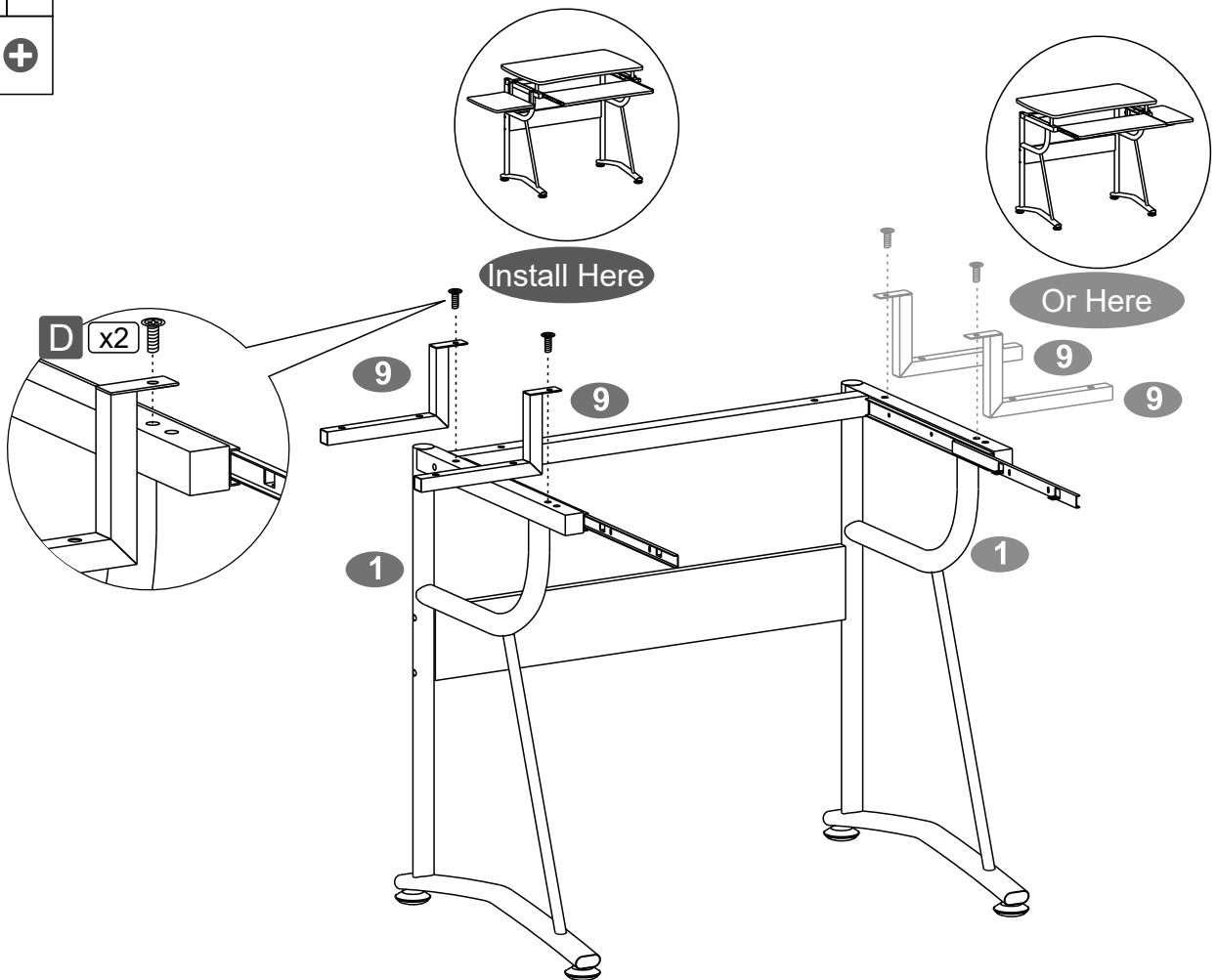


**STEP 4**

**D**  2  
M6x12



Use D to assemble #9 to #1 on the side of your preference.

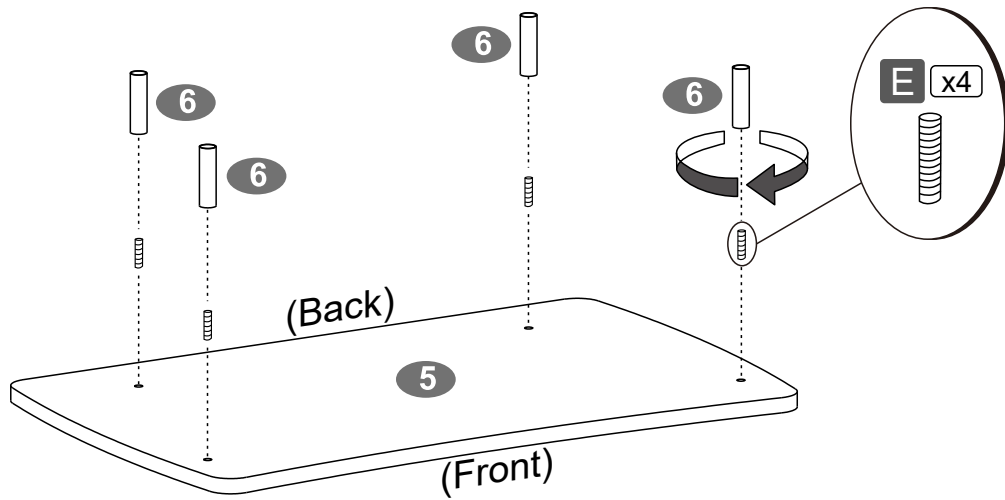


**STEP 5**

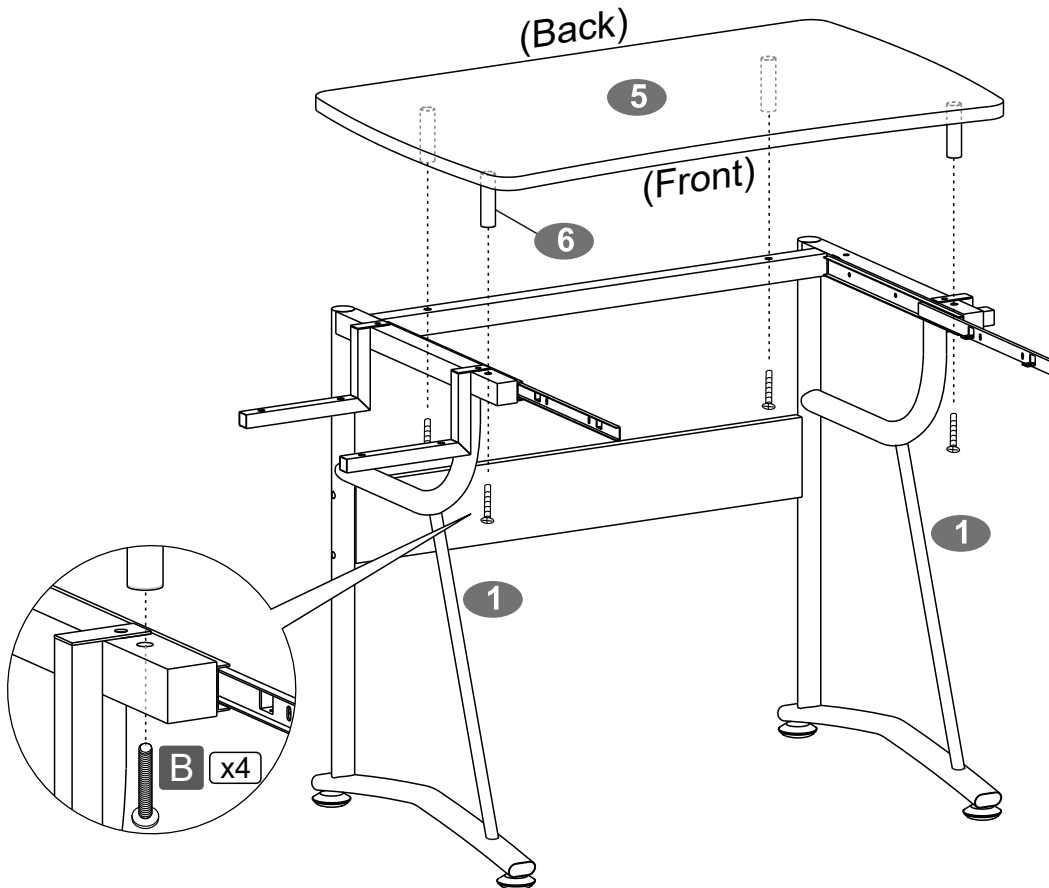


1st: Install #6 to #5 with E.

<b>B</b>	M6x40	4
<b>E</b>	M6x25	4
<b>+</b>		



2nd: Carefully place the tabletop over the frame, and use B to secure the tubes #6 to #1.

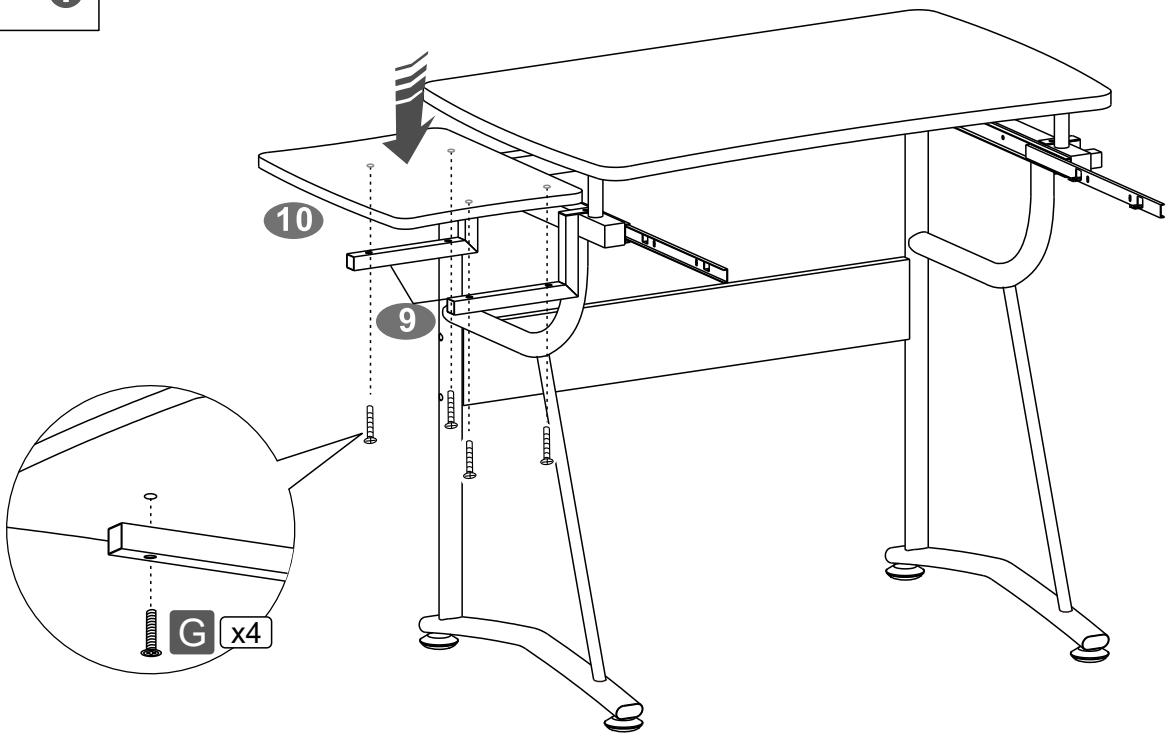


**STEP 6**

**G**  4  
M6x30



Use G to attach #10 to #9.

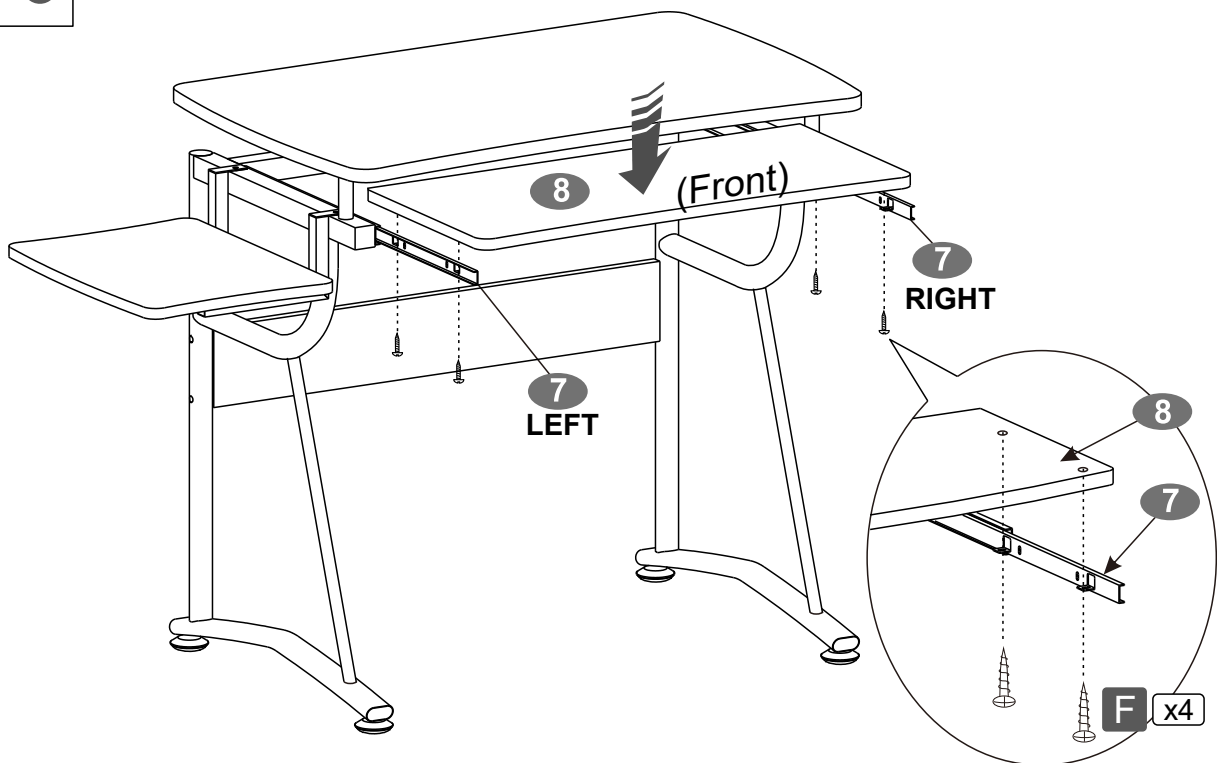


**STEP 7**

**F**  4  
M4x14



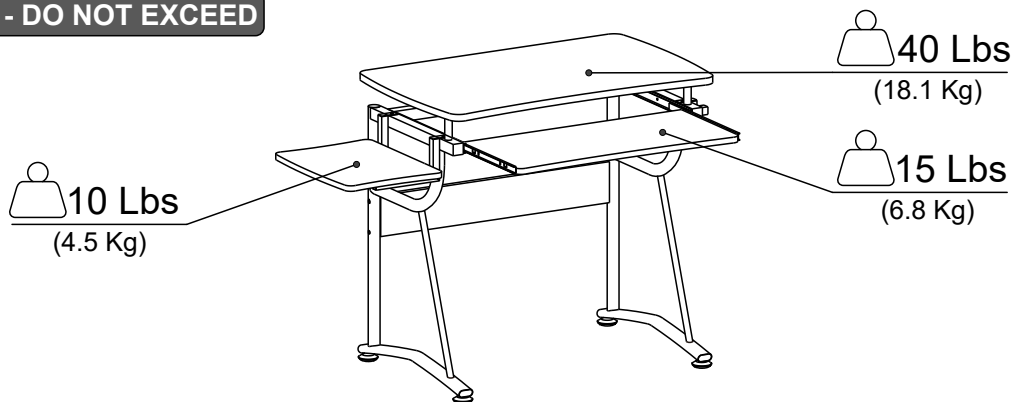
FINALLY, use F to attach #8 to #7.



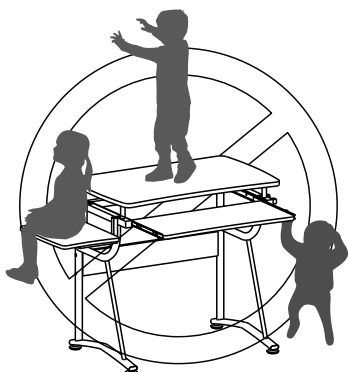
## WARNINGS

Not paying attention to the following warnings could result in injuries.

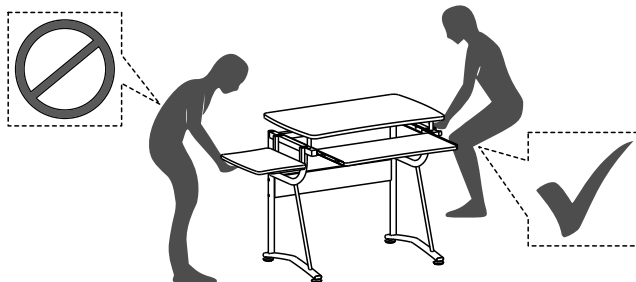
### WEIGHT LIMITS - DO NOT EXCEED



- Do not sit, climb or stand on the Unit.
- Do not allow children to play over or below the unit.



- 2 persons are required for moving the unit at distances longer than 2 feet.
- Remove or secure any objects that are heavy or might fall off during moving.
- Lift by bending your knees, not your backs.

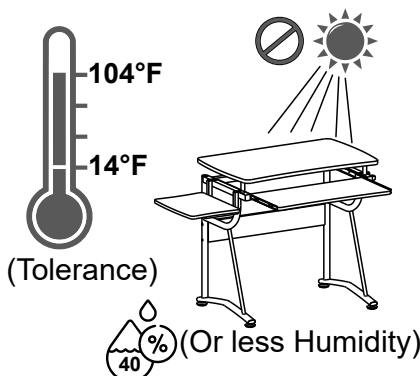


## CARE AND MAINTENANCE

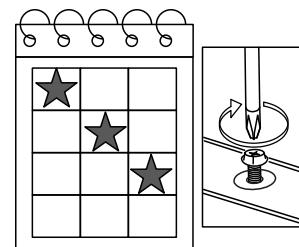
- Clean with a cloth lightly dampened in a solution of mild soap and water.
- Do not use solvents or abrasive materials.



Do not expose to direct sunlight or extreme environmental conditions.



Inspect and re-tighten any loose screws every 4 months.



## LIMITED WARRANTY

To file a claim or request information, please email to us