

ASSEMBLY INSTRUCTIONS



BAR TABLE

ASSEMBLY INSTRUCTIONS

ASSEMBLY TIPS:

1. Remove hardware from box and sort by size.
2. Please check to see that all hardware and parts are present prior to start of assembly.
3. Please follow attached instructions in the same sequence as numbered to assure fast & easy assembly.



Warning!

1. Don't attempt to repair or modify parts that are broken or defective. Please contact the store immediately.
2. This product is for home use only and not intended for commercial establishments.



| | |
|---------------|-----------|
| ASSEMBLY TIME | 5 MINUTES |
|---------------|-----------|

PARTS IDENTIFICATION

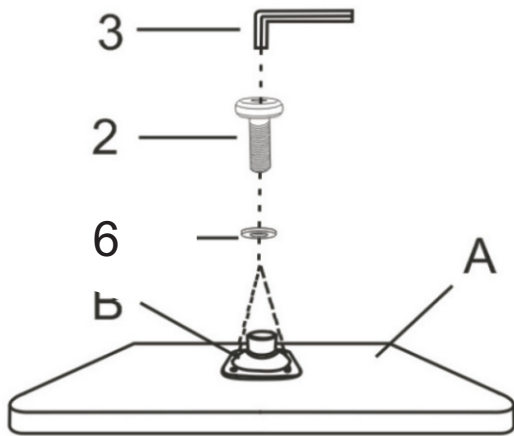
| | PART NAME | FIGURE | QTY |
|---|------------|--------|-----|
| A | BAMBOO TOP | | 1PC |
| B | SAIVER | | 1PC |
| C | BASE | | 1PC |
| D | MAIN POST | | 1PC |

HARDWARE IDENTIFICATION

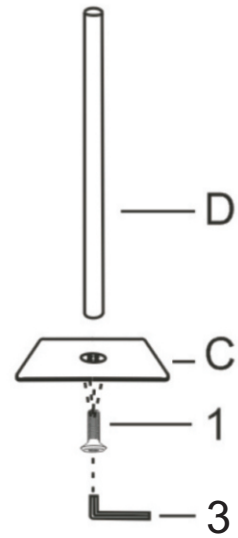
| | HARDWARE NAME | FIGURE | QTY |
|---|-----------------|--------|------|
| 1 | BOLTS M8x32MM | | 3PCS |
| 2 | BOLTS M6x14MM | | 4PCS |
| 3 | ALLEN WRENCH M6 | | 1PC |
| 4 | ALLEN WRENCH M4 | | 1PC |
| 5 | BOLT 6 MM | | 2PCS |
| 6 | WASHER | | 4PCS |
| | | | |

ASSEMBLY INSTRUCTIONS

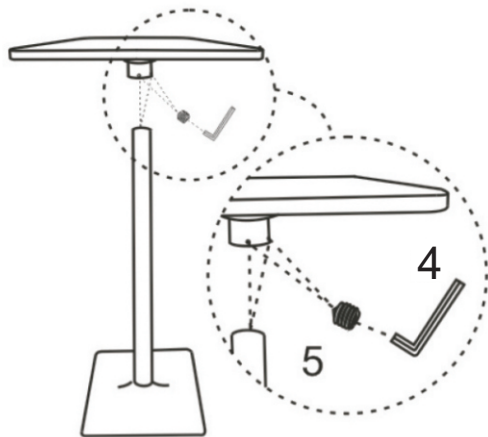
STEP1



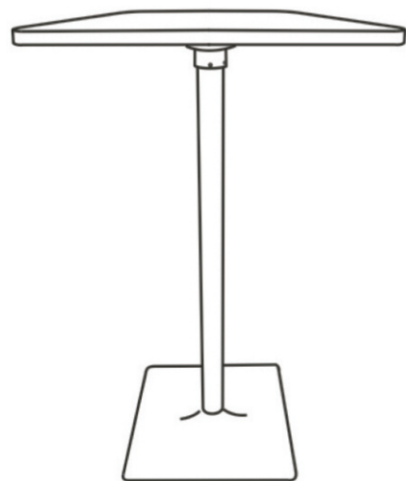
STEP2



STEP3



STEP4



ASSEMBLY INSTRUCTIONS

