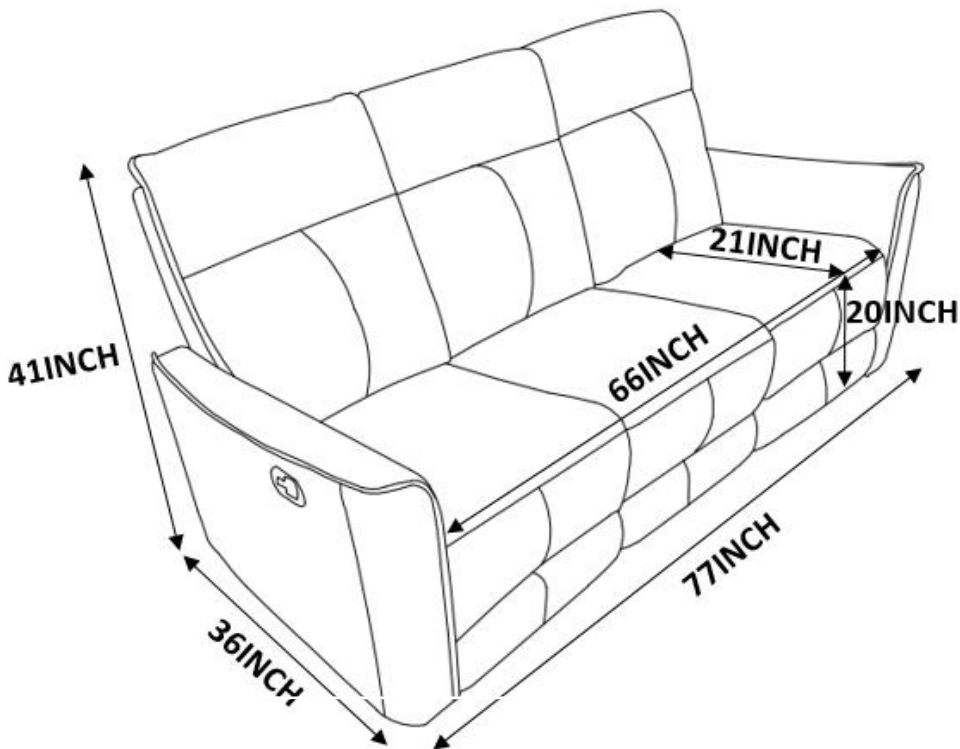
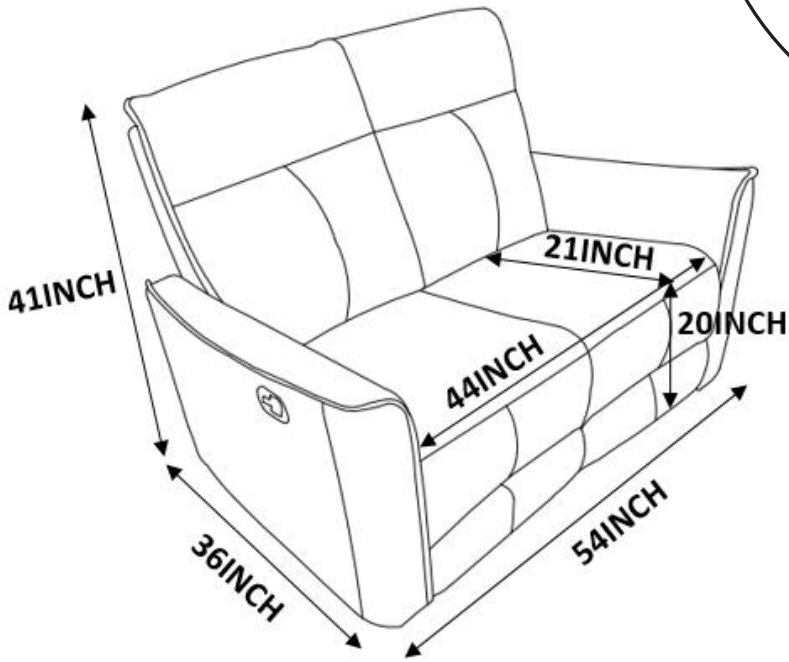


# Assembly Instructions

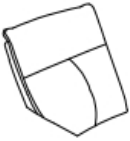
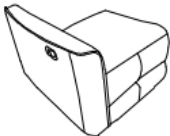




Your loveseat and sofa comes in three kinds of packages. Carefully remove all of components from the packaging and set aside for assembly.

## CAUTION

**DO NOT** use any sharp objects to open plastic-wrapped components as this may result in damage to the product or components.  
**Please select your installation method based on your actual purchasing needs.**

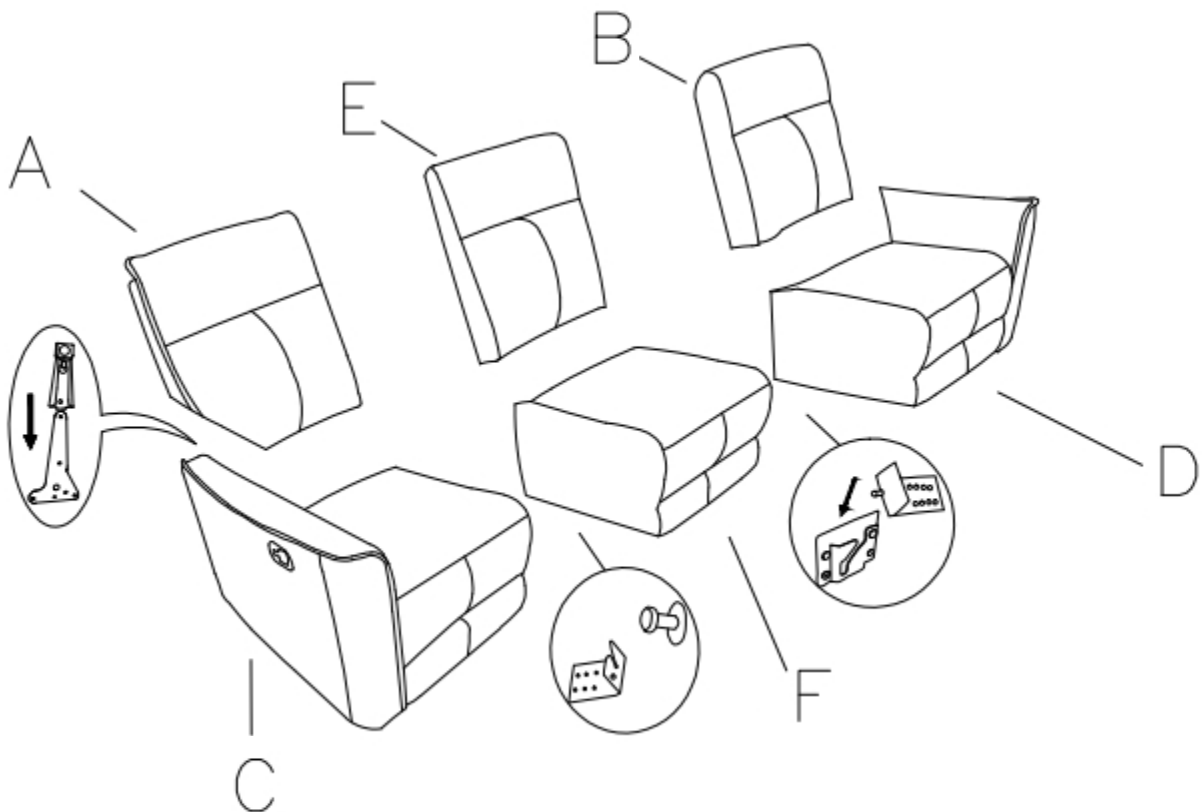
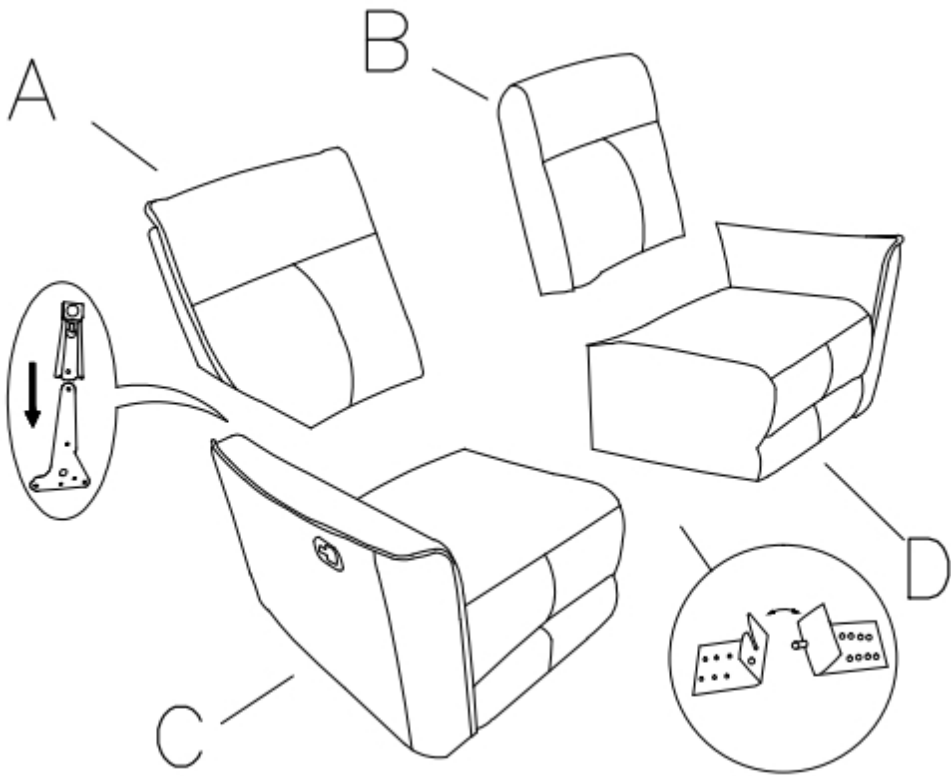


# Package Contents

				BOX 01
A*1	C*1			
				BOX 02
E*1	F*1			
				BOX 03
B*1	D*1			

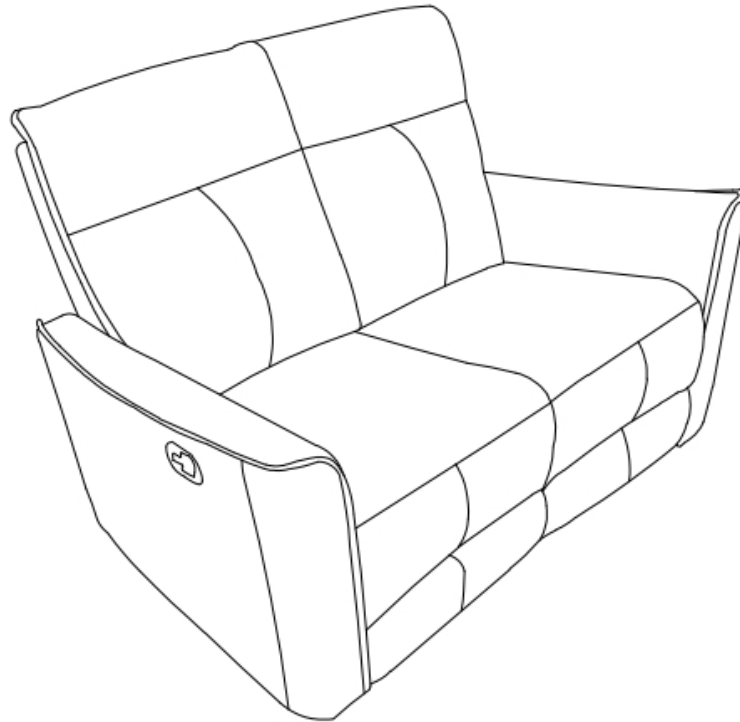
**STEP1:**

Assemble the **Back(A&B&E)** to its **Seat(C&D&F)**, making sure it is securely installed before use. Next Connect the parts of the loveseat and sofa assembly by means of the metal clips at the bottom.

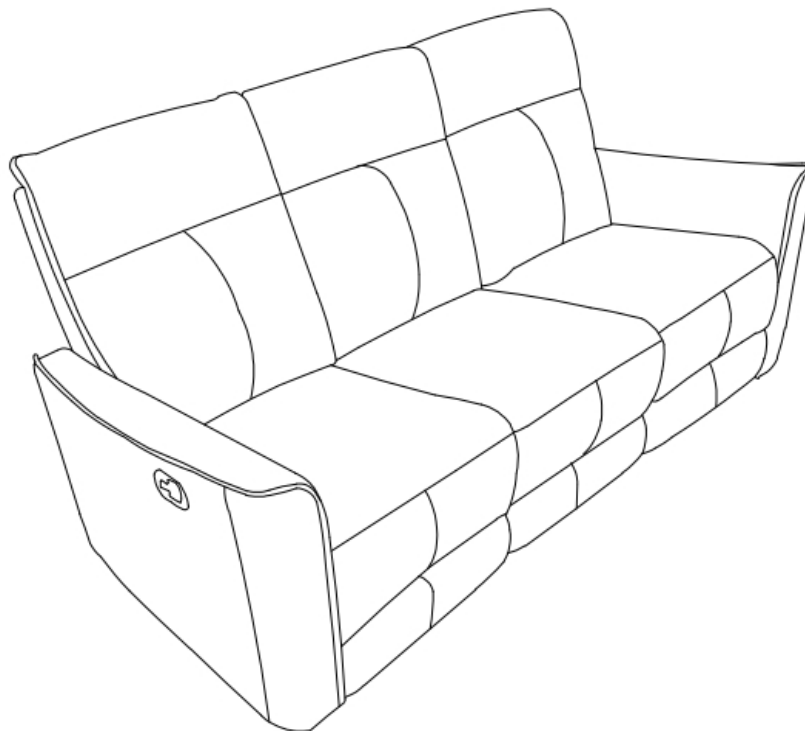


# ASSEMBLY COMPLETED

**Loveseat**



**Sofa**



## Warnings

1. Please check if the components of the chair are all included and can be used normally.
2. Assemble all components according to the instruction correctly before you connect the chair to the power.
3. Please DO NOT sit on the armrests or footrest to eliminate the risk of tipping over.
4. If the chair is damaged or doesn't match the website description, please send clear pictures of the product and label of the carton to our service team for further help.
5. If the recliner doesn't work, you may try the following measures for self-checking firstly:
  - a) Check if all the cables are connected;
  - b) Check if the light of transformer is on.

If the chair still doesn't work, please feed the information back to our customer service in time and we'll help you solve the matter as soon as possible.

