

6 Drawer Dresser

Congratulations on the purchase of your 6 Drawer Chest of Drawers. This chest of drawers has been crafted to the highest standards of quality and safety and will give you many years of enjoyment and practical use.

Since this is a natural bamboo / wood product there will be variations in color and grain, and minor wood grain checking may occur. This is normal and does not compromise the integrity of your dresser. Variation in the character of wood is integral to the beauty and appeal of this furniture, and distinguishes it from lower quality materials.

On this insert you will find a list of the hardware and parts necessary for assembly, as well as detailed instructions. Assembly is quite simple and requires only a screwdriver.

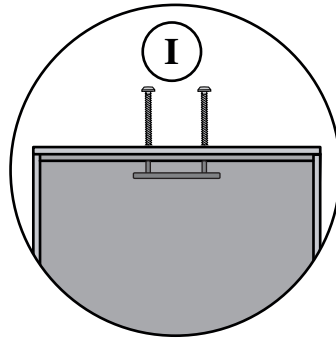
If you should require assistance with assembly, part replacement or any other matter, contact the toll-free Service Center

Thank you and Enjoy



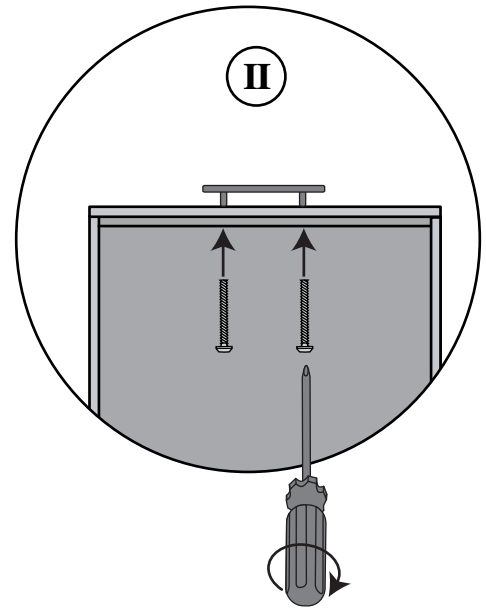
STEP I

Hold the handle, remove the screws on the inside of the drawer.
(As Shown in Diagram I)



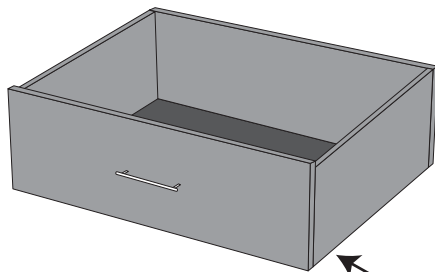
STEP II

Now, hold the handle tight to the drawer face with one hand. Twist the screw with one hand. Use a Phillip Head screwdriver to finish tightening the screw.
(As Shown in Diagram II)

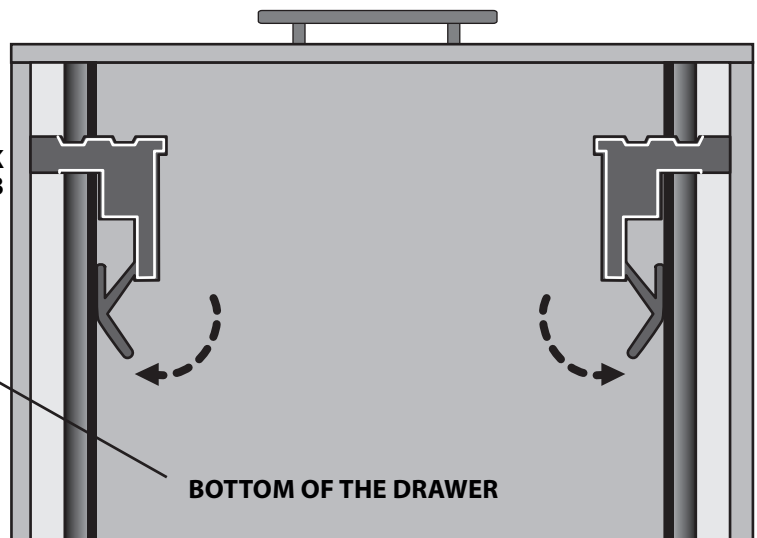


If you find you need to remove a drawer, push and hold the track tabs outward and pull the drawer out the rest of the way.

(As Shown in Diagram III)



TRACK
TAB



TRACK
TAB

NOTE: Each drawer is made only for its original location so make sure if you remove more than one they go back in the proper order.

PARTS



Metal Drawer Handle 6



Panhead Machine Screw 12

Have a question?? need a part ASAP?? call or email us!