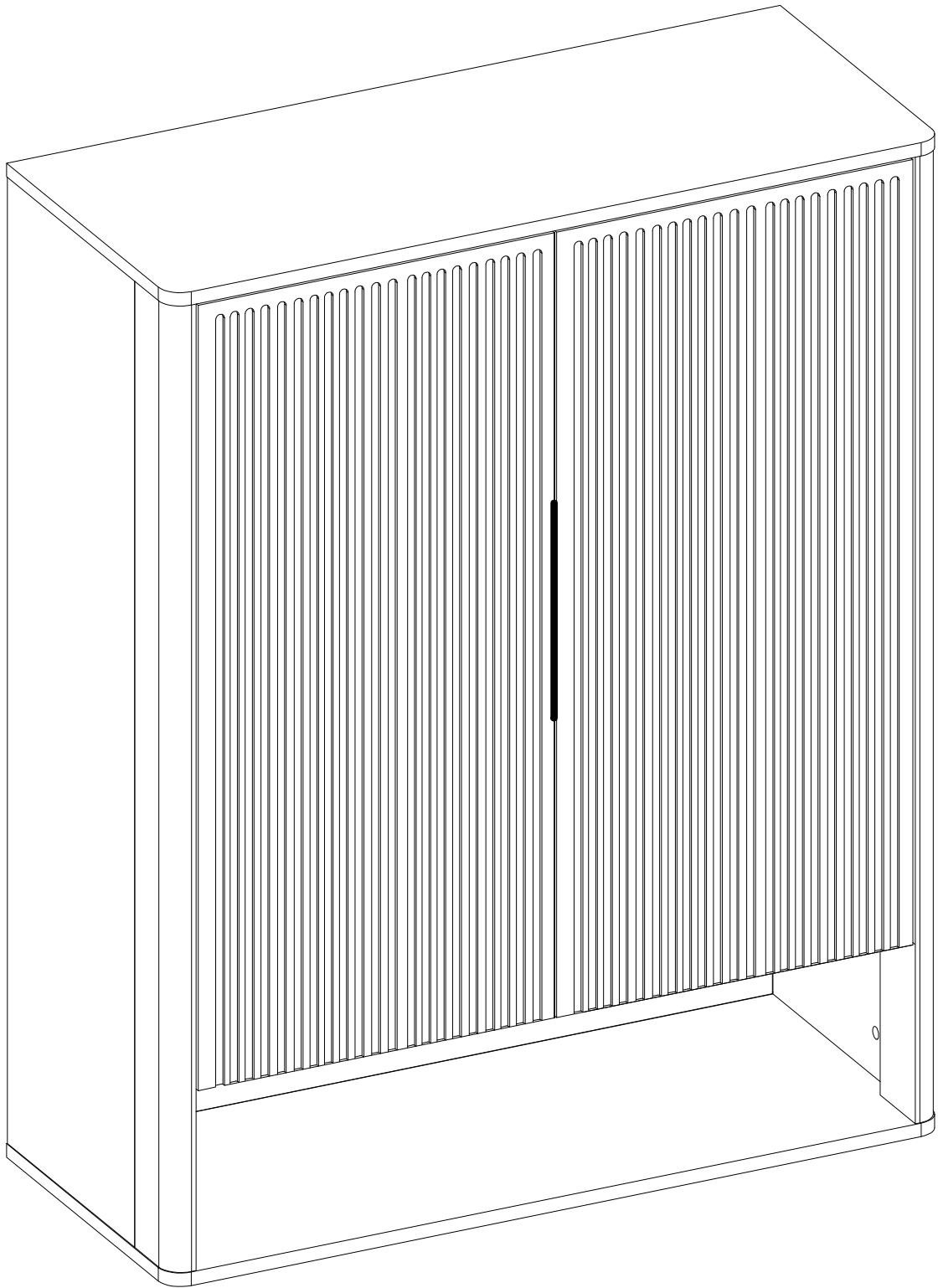
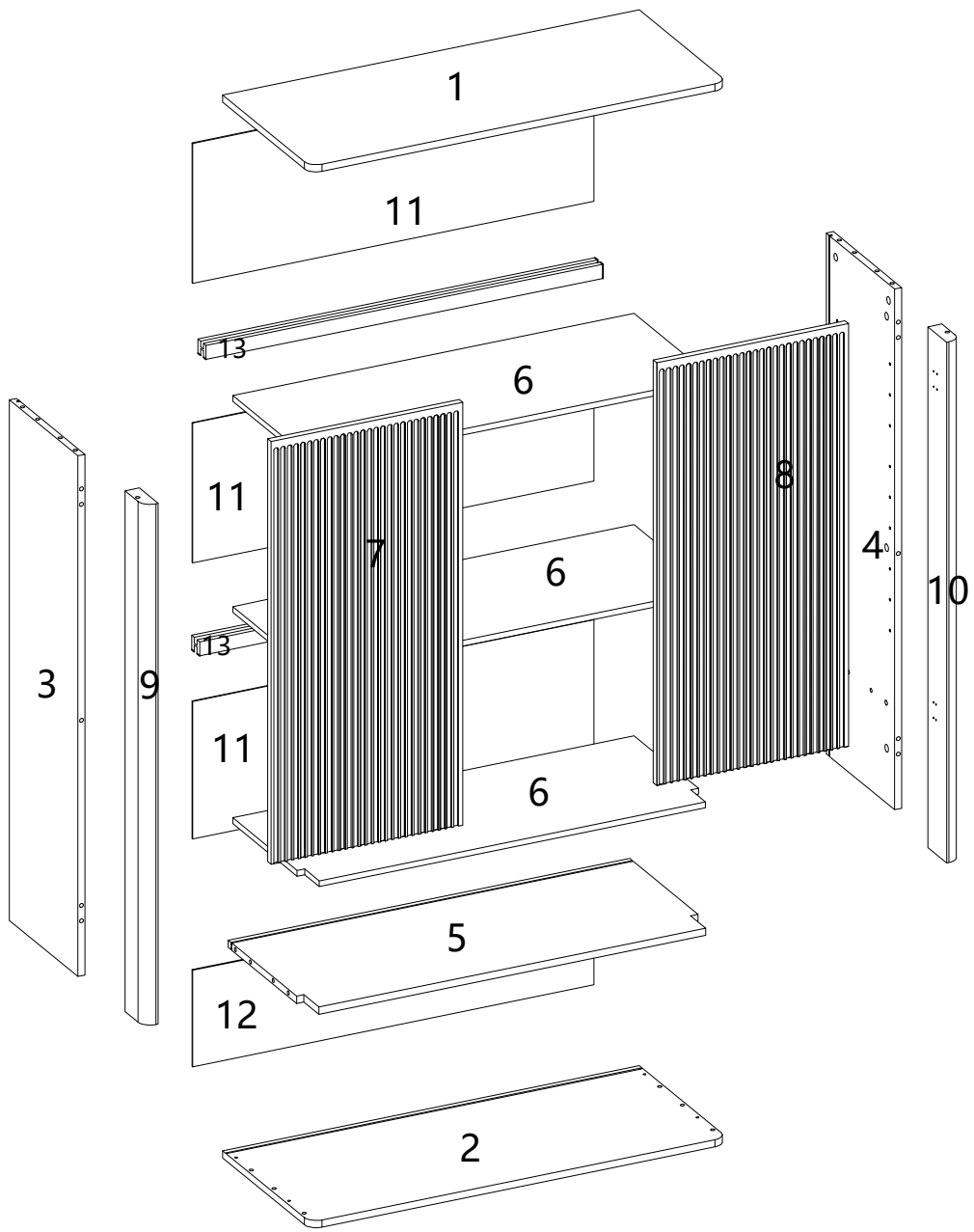
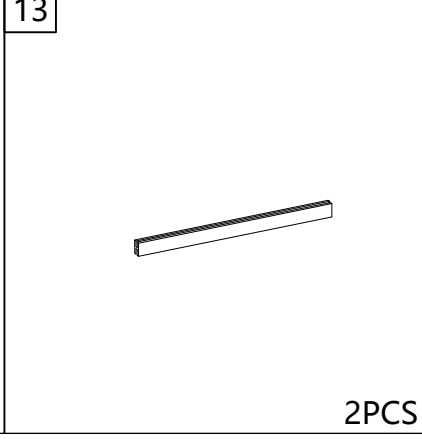
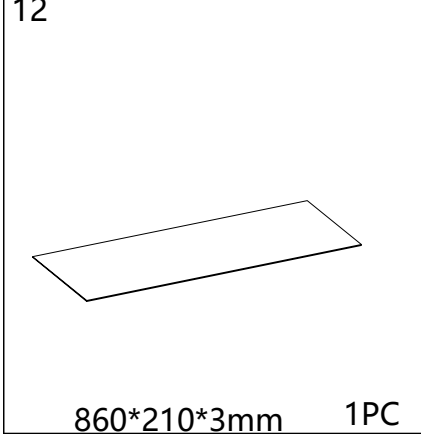
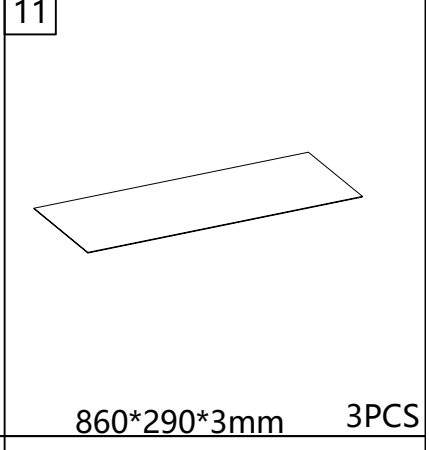
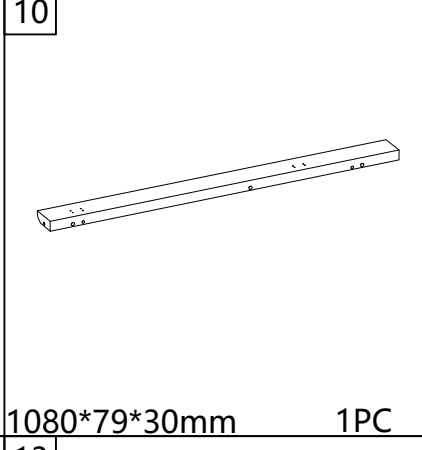
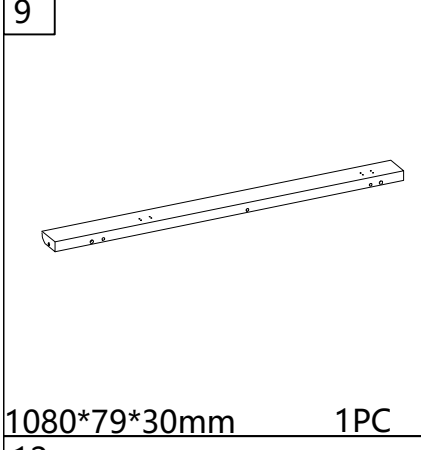
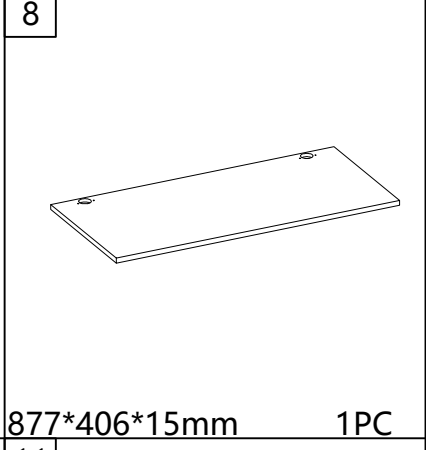
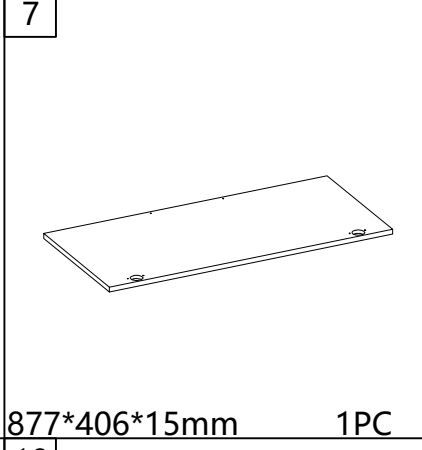
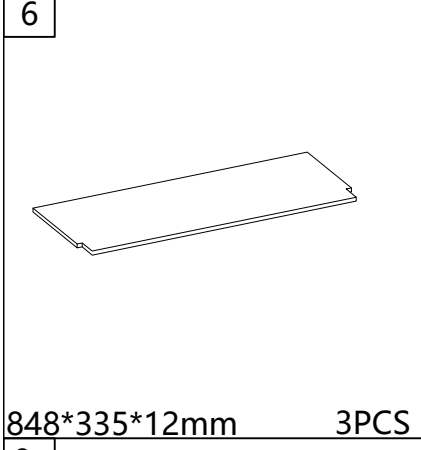
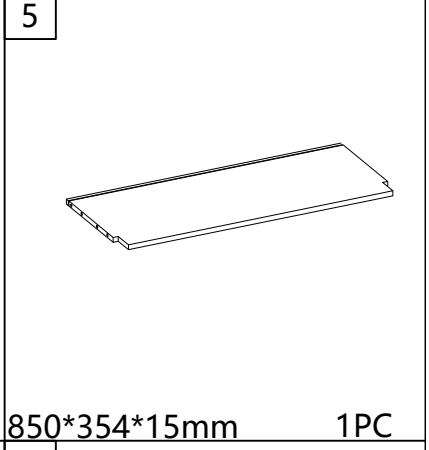
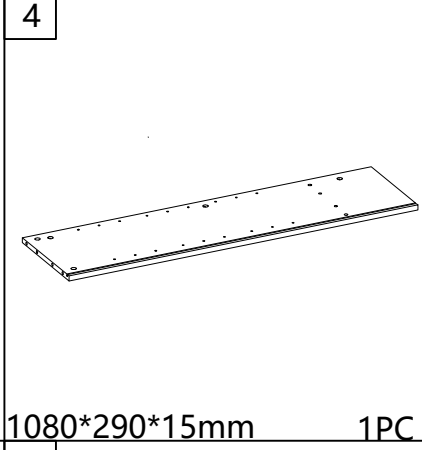
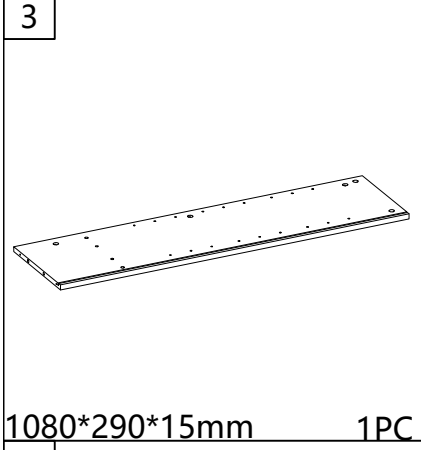
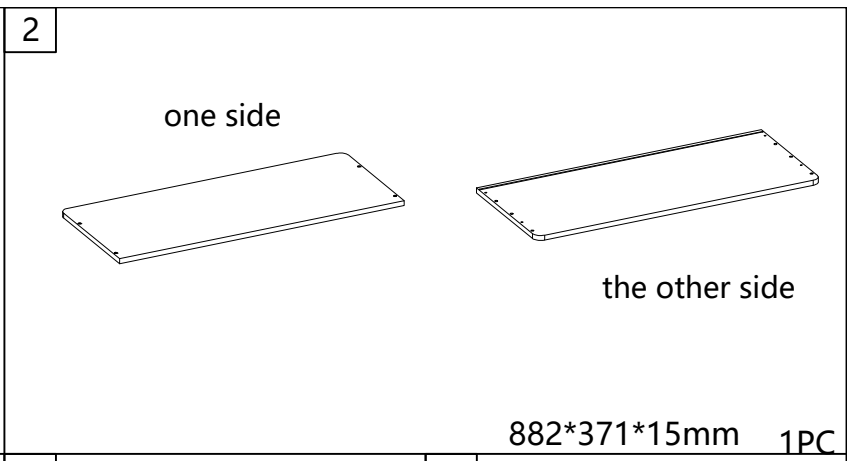
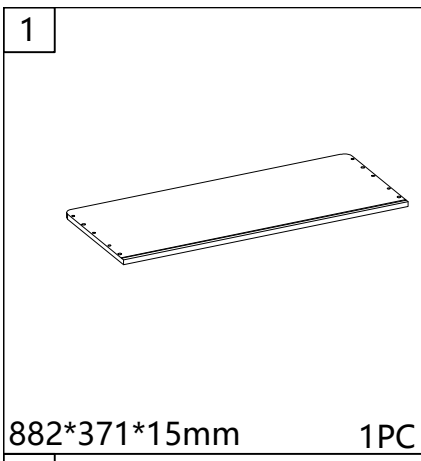


DS-SC001

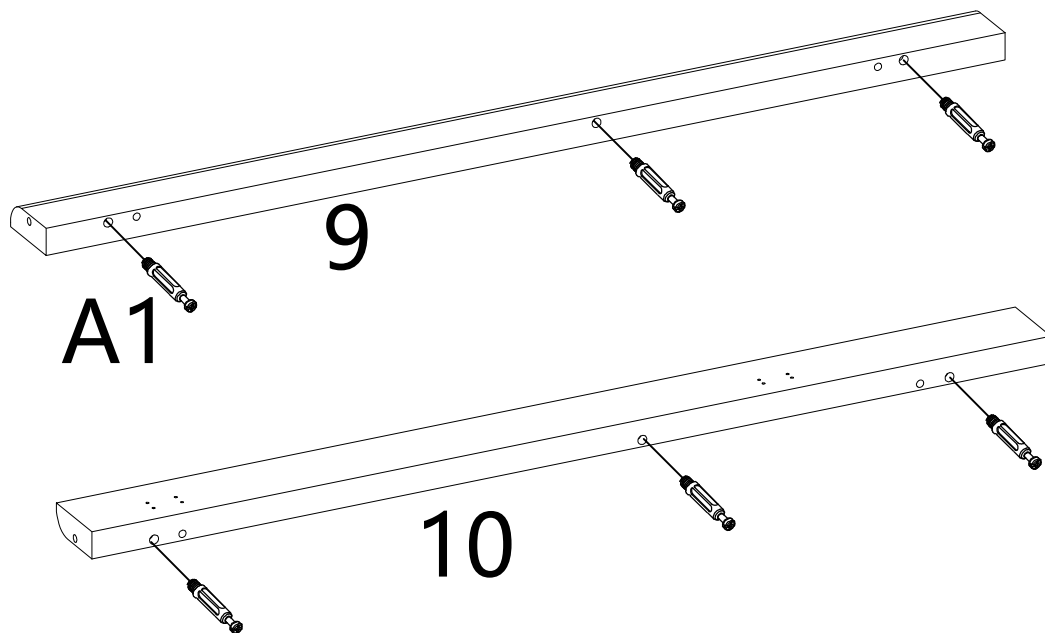
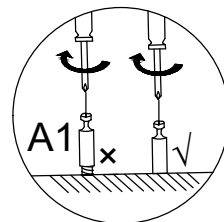
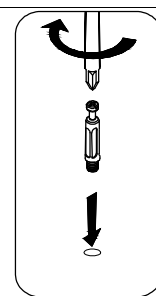





A 14PCS	B #8*30mm 20PCS	C M5*40mm 4PCS	D M3.5*12mm 38PCS	E 4PCS	F 1PCS	G 12PCS	H 14PCS	I 2PCS
J 14PCS	K 4PCS							

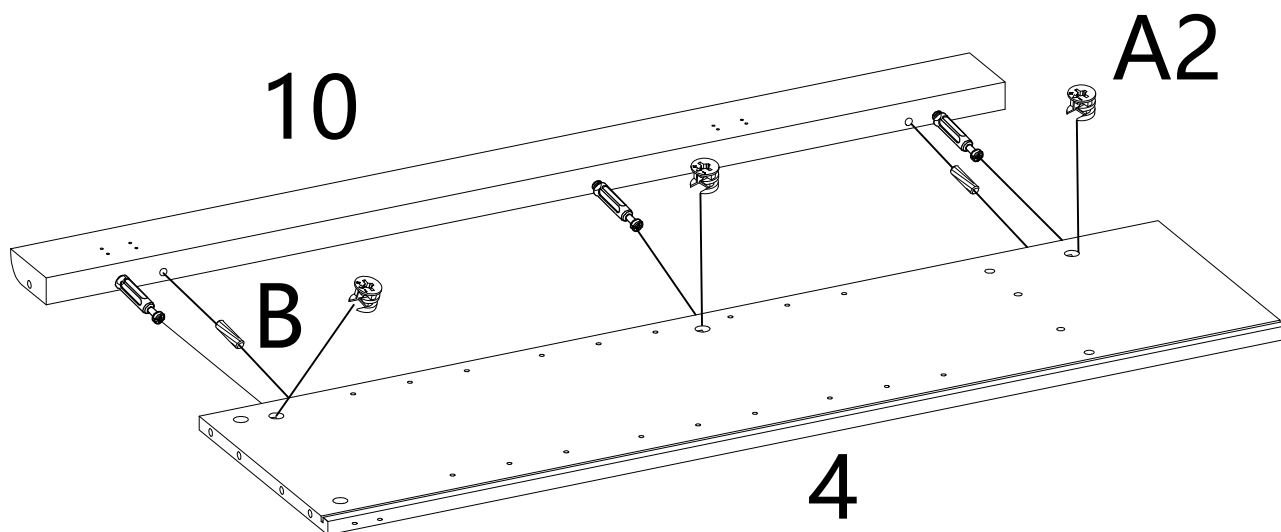
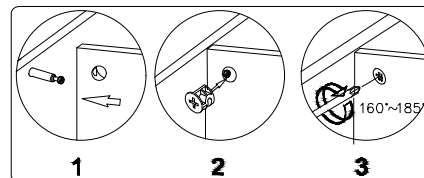



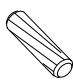
STEP 1



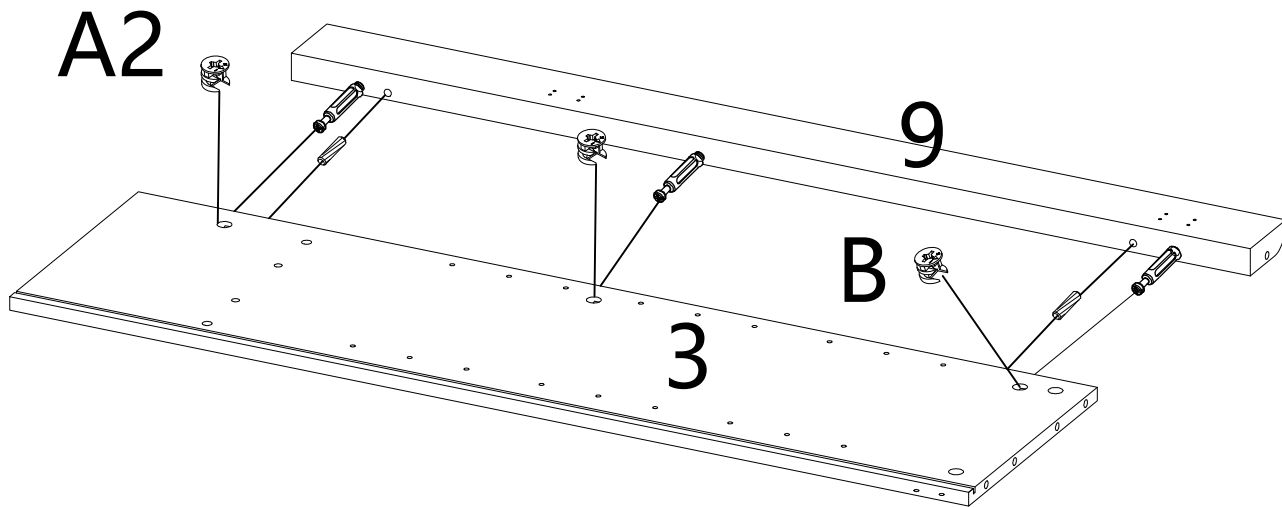
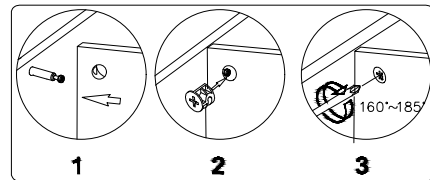
	A1 × 6PCS
---	-----------

STEP 2



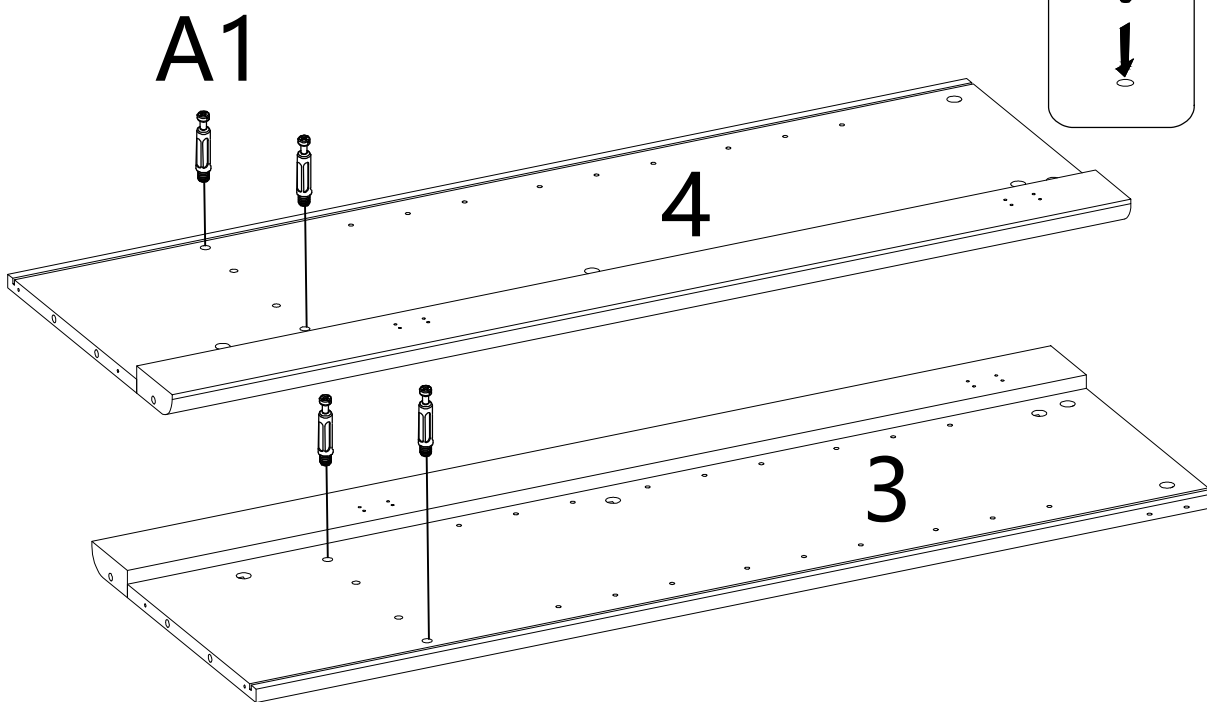
	A2 × 3PCS		B × 2PCS
---	-----------	---	----------

STEP 3



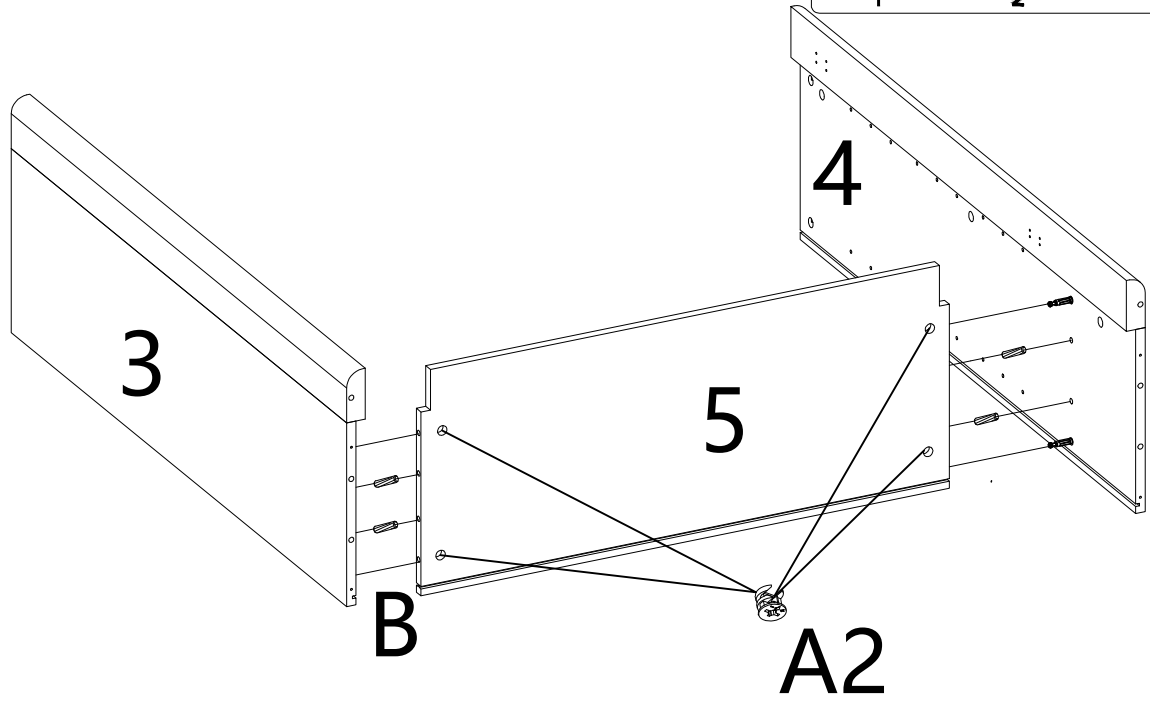
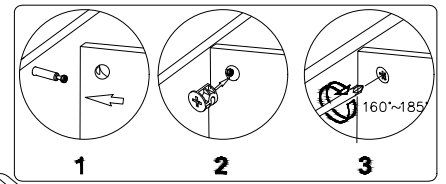
	A2 × 3PCS		B × 2PCS
--	-----------	--	----------


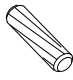
STEP 4



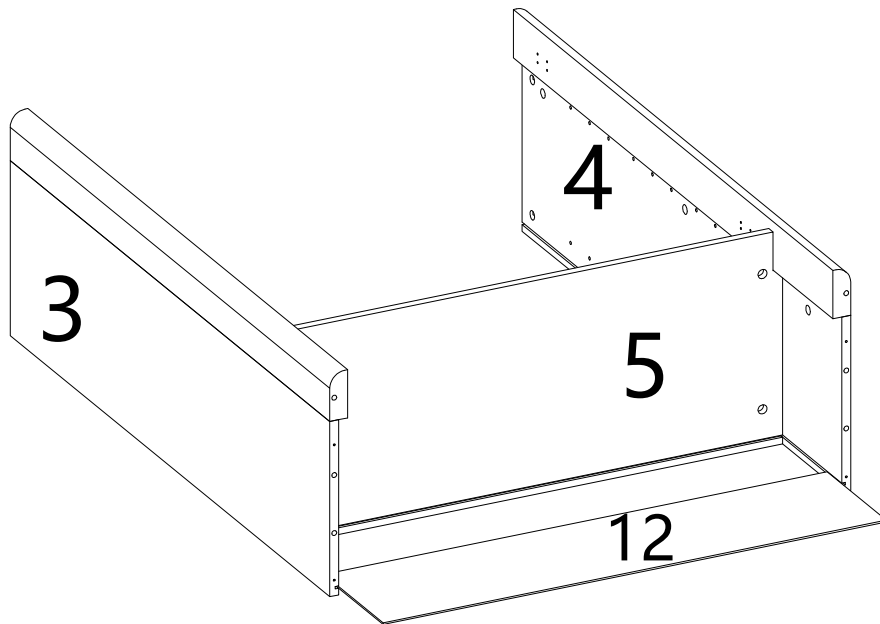
	A1 × 4PCS
--	-----------

STEP 5

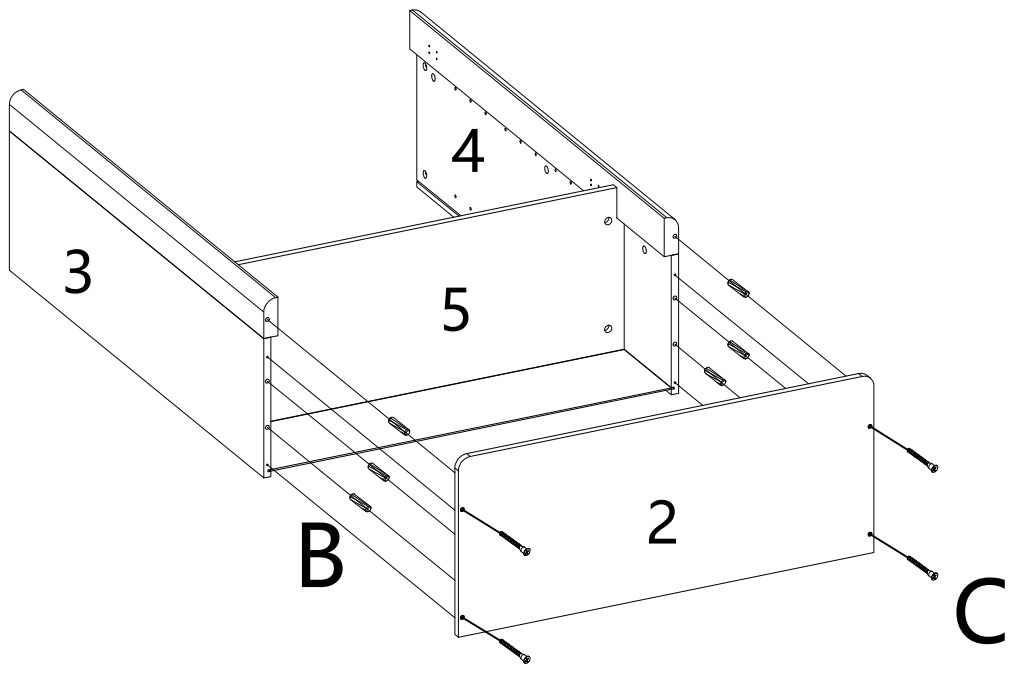


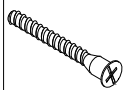
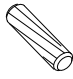
	A2 × 4PCS		B × 4PCS
---	-----------	---	----------

STEP 6

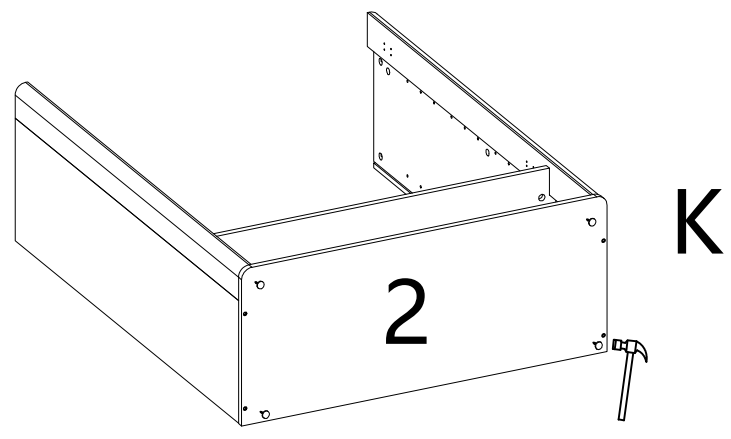



STEP 7



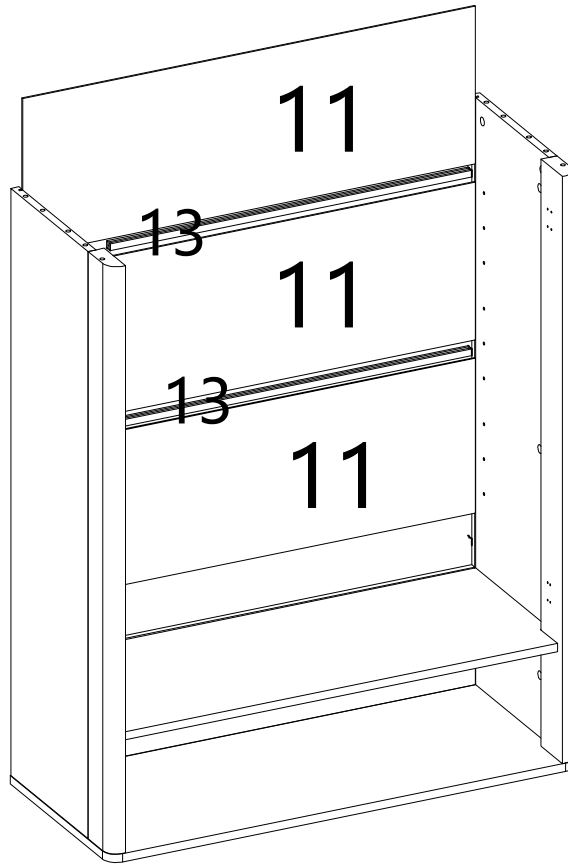
	C × 4PCS		B × 6PCS
---	----------	---	----------

STEP 8

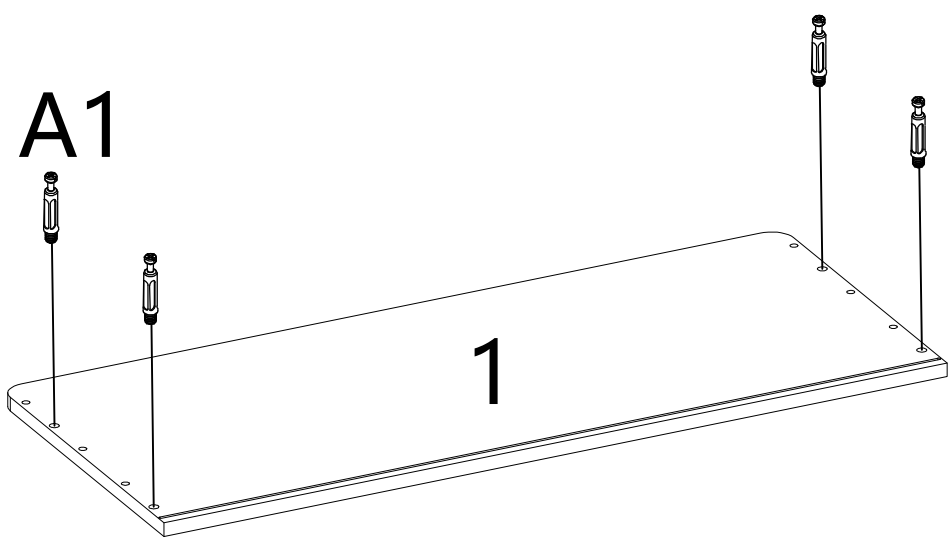
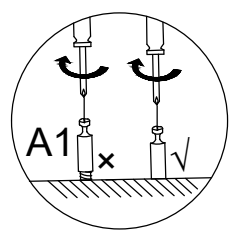
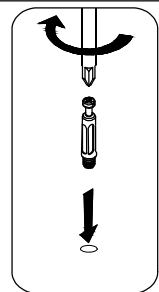



	K × 4PCS
---	----------

STEP 9

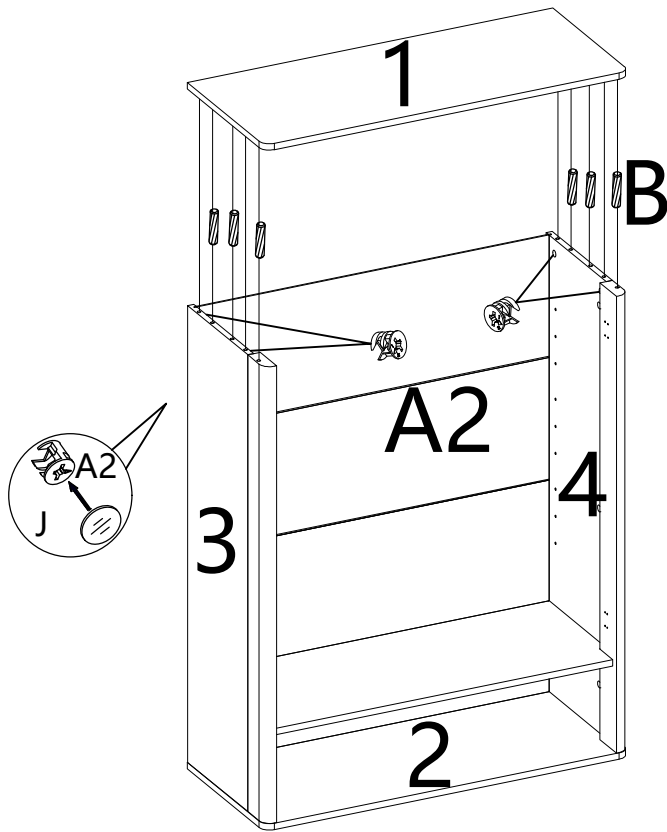
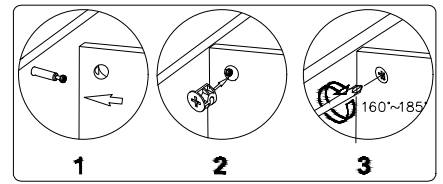




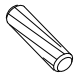
STEP 10



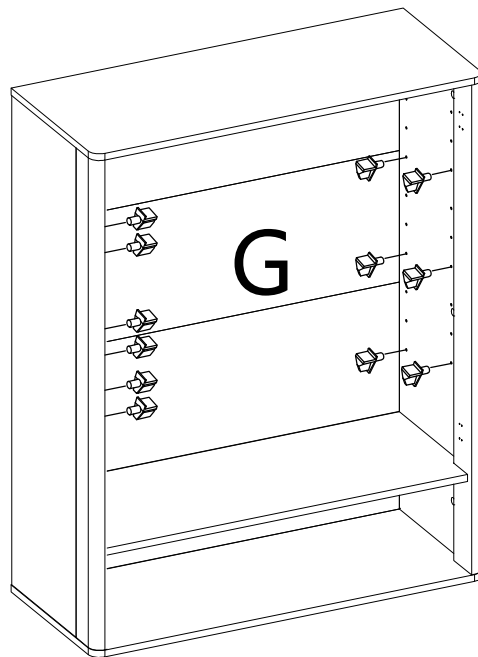
	A1 × 4PCS
---	-----------

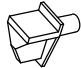
STEP 11



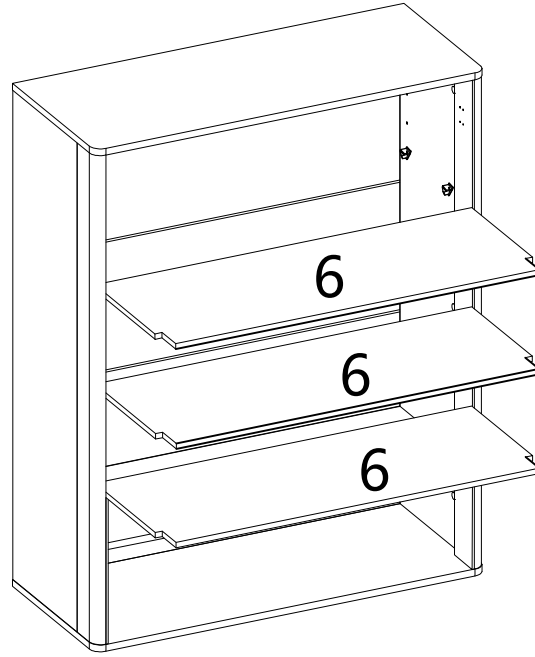
	J × 14PCS		A2 × 4PCS		B × 6PCS
---	-----------	---	-----------	---	----------

STEP 12

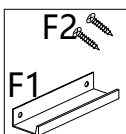
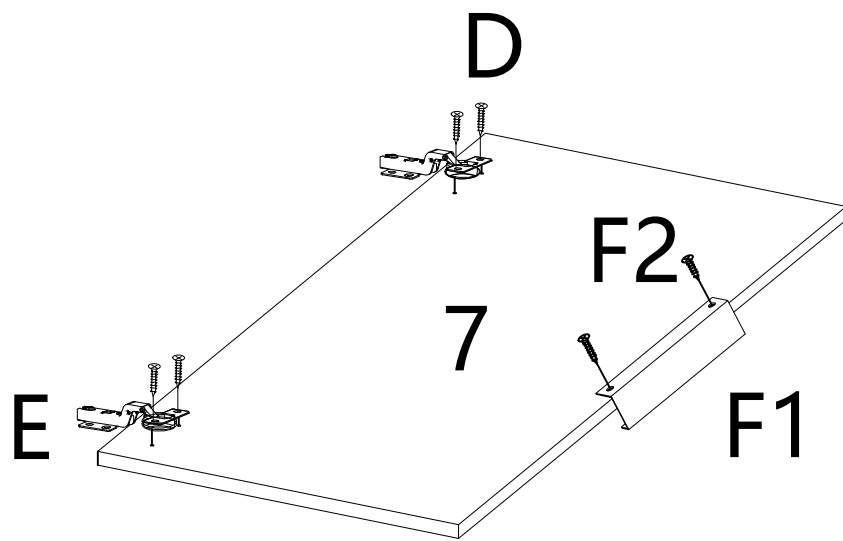


	G × 12PCS
---	-----------

STEP 13



STEP 14



F × 1PC

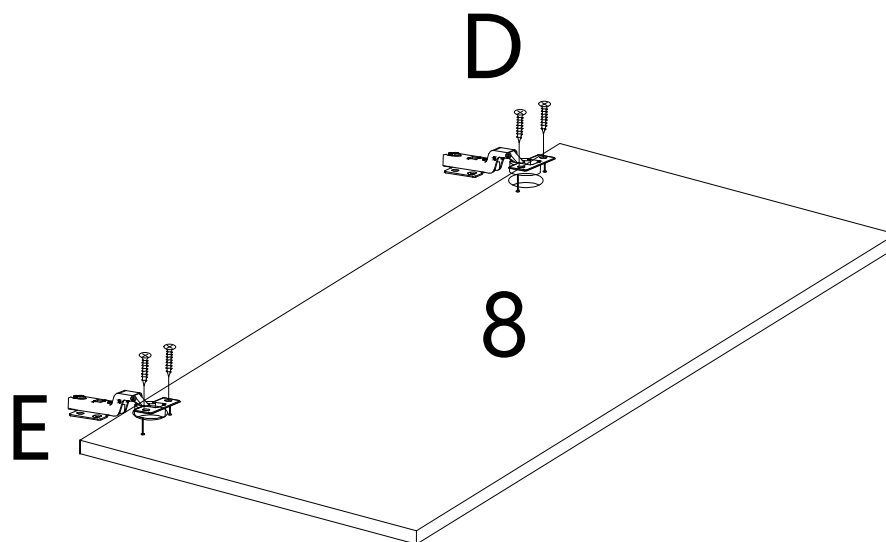


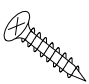

D × 4PCS



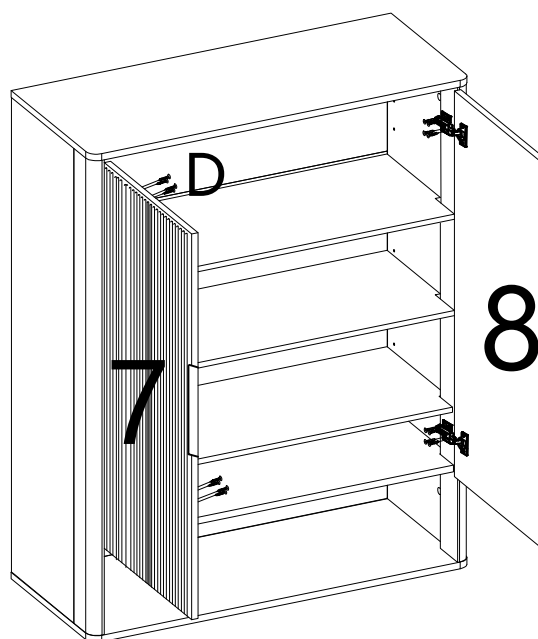
E × 2PCS

STEP 15



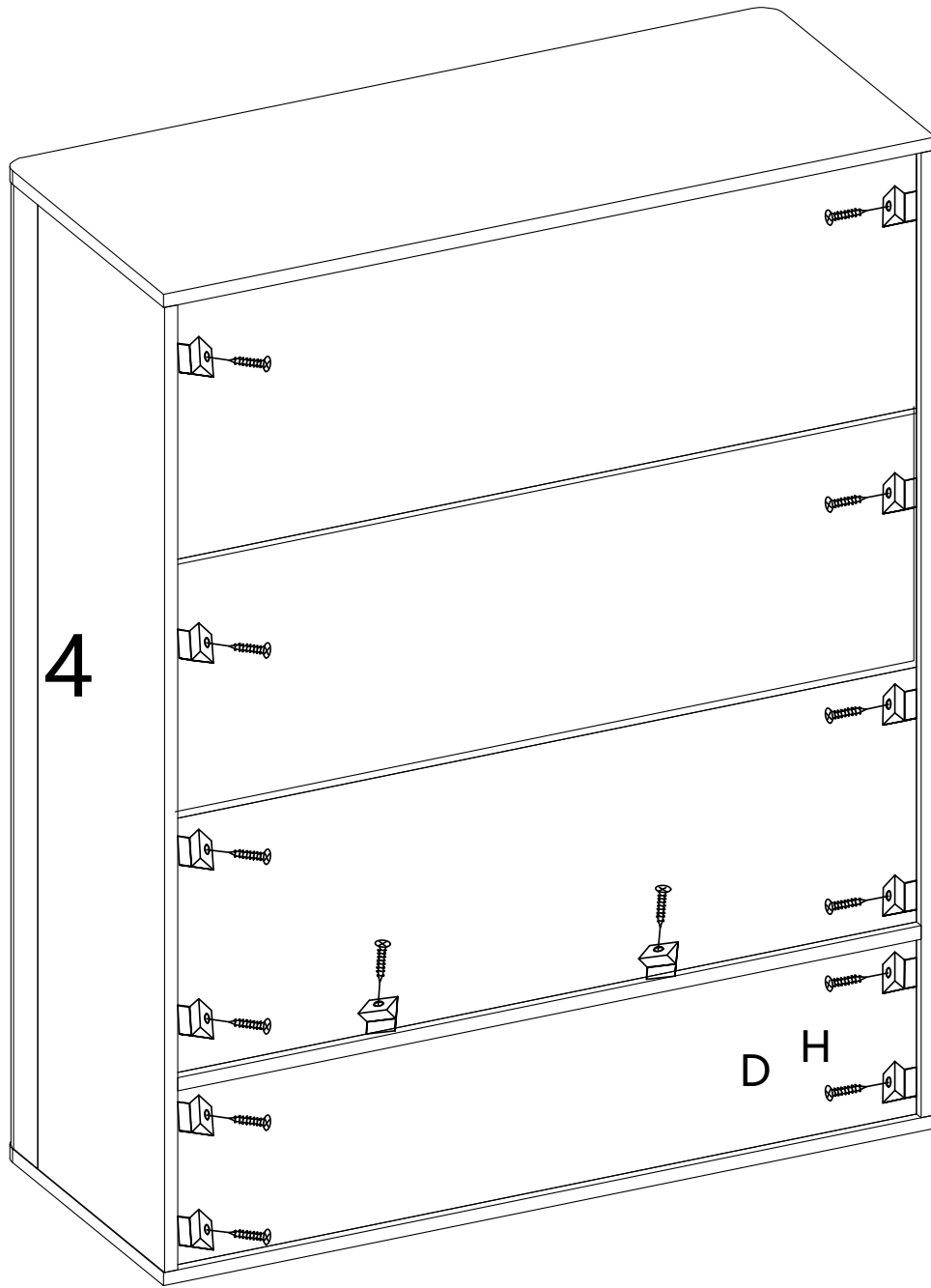
	D × 4PCS		E × 2PCS
---	----------	---	----------


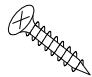
STEP 16



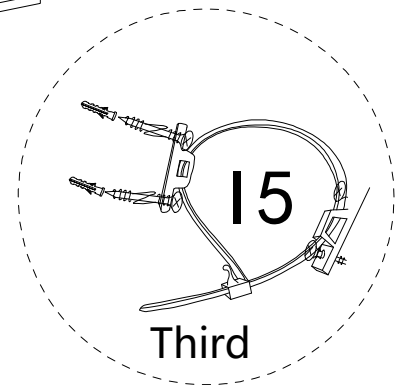
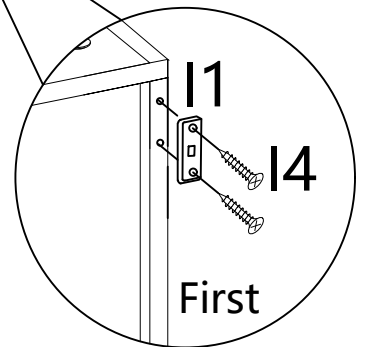
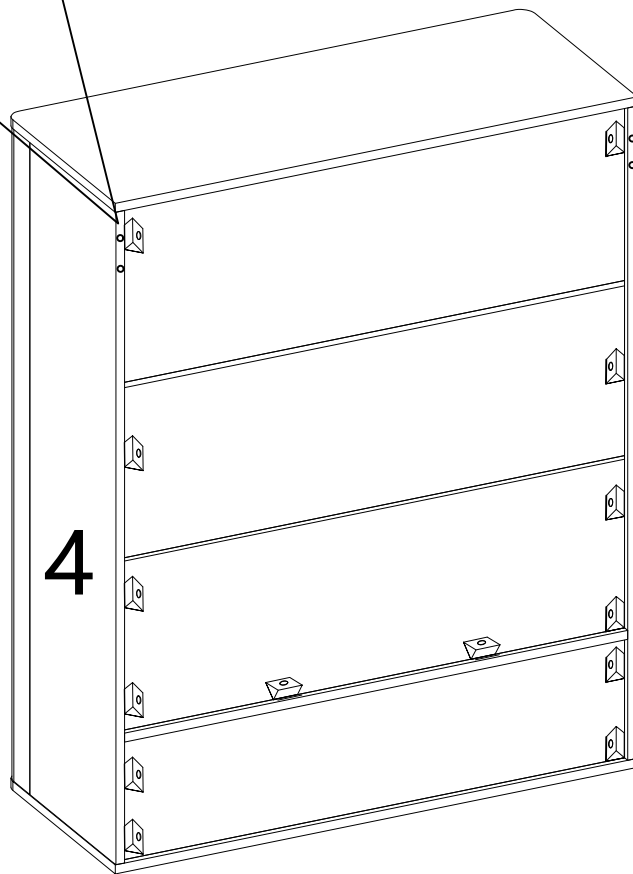
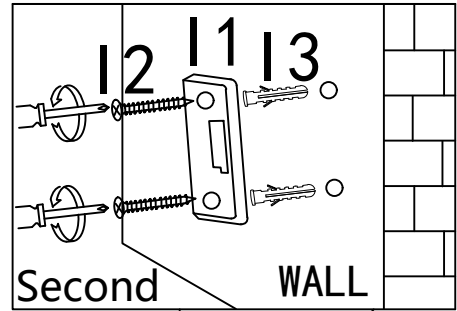
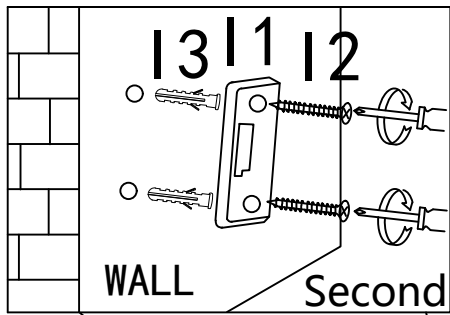
	D × 16PCS
---	-----------

STEP 17



	H × 14PCS		D × 14PCS
---	-----------	---	-----------

STEP 19



	11		12	I × 2PCS
			15	
	14		13	