

ASSEMBLY INSTRUCTIONS

MODEL :FBKHFK-135A+FBKSRR-135A

REVISION :B

ASSEMBLY TIPS :

1. Remove hardware from box and sort by size.
2. Please check to see that all hardware and parts are present prior to start of assembly.
3. Please follow attached instructions in the same sequence as numbered to assure fast and easy assembly.

Part List


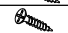






Headboard & Footboard

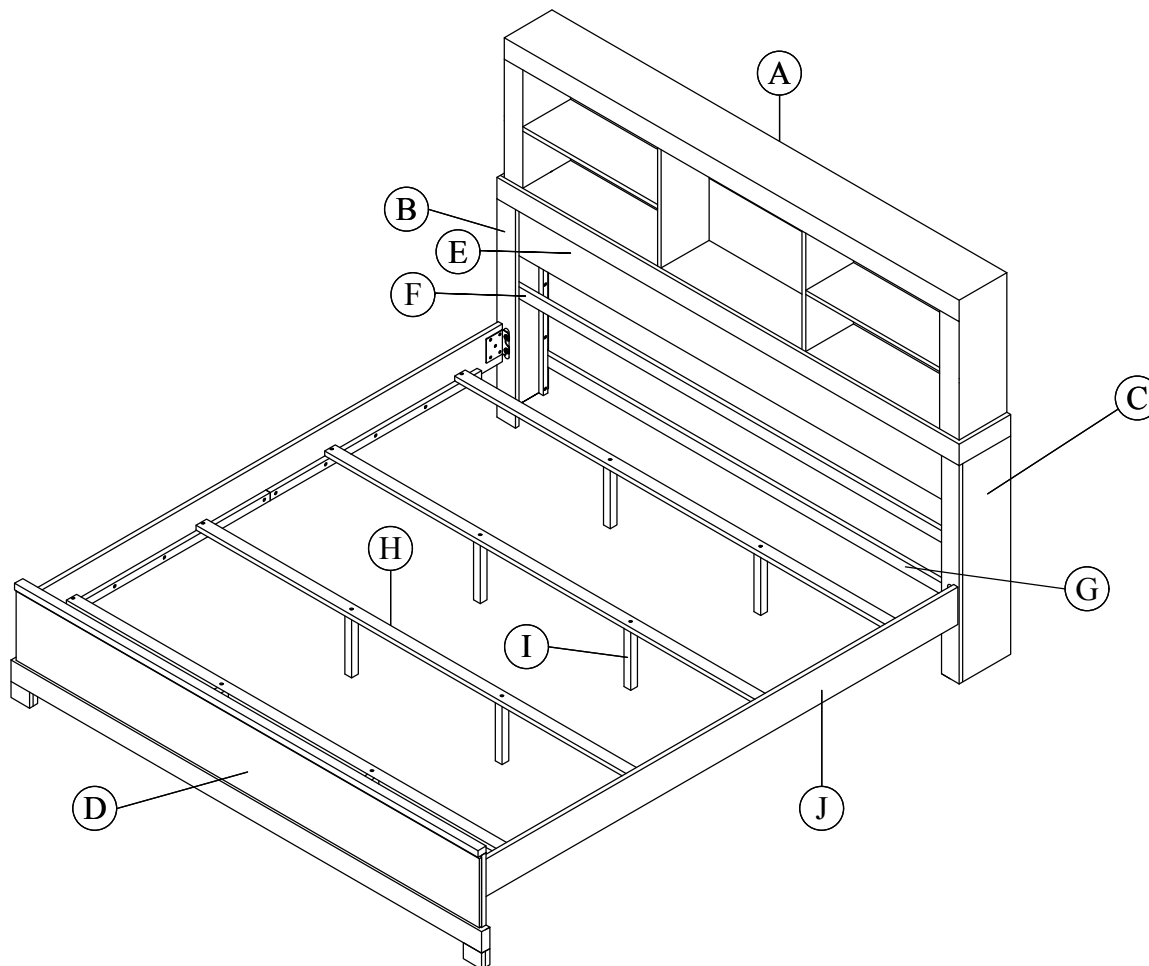
No	Descriptions	Qty
A	Headboard Panel	1
B	Headboard Leg Right (R)	1
C	Headboard Leg Left (L)	1
D	Footboard	1
E	Front Panel Bottom Cover	1
F	Headboard Support Rail Front	1
G	Headboard Support Rail Back	1
H	Bed Slat	4
I	Bed Slat Support	8

Side Rail Only

No	Descriptions	Qty
J	Side Rail	2

Hardware List In Headboard & Footboard

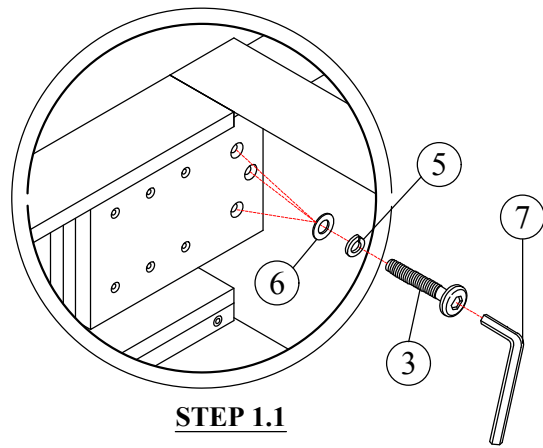
No	Descriptions	Qty
1	CSK M4 x 32mm 	8
2	CSK M4 x 25mm 	8
3	JCBC Screw M6 x 35mm 	6
4	PHCB Screw M4 x 20mm 	10
5	Spring Washer Ø1/4" 	6
6	Flat Washer Ø1/4" x 20mm 	6
7	L Key M4 x 65mm 	1
8	L Key M5 	1



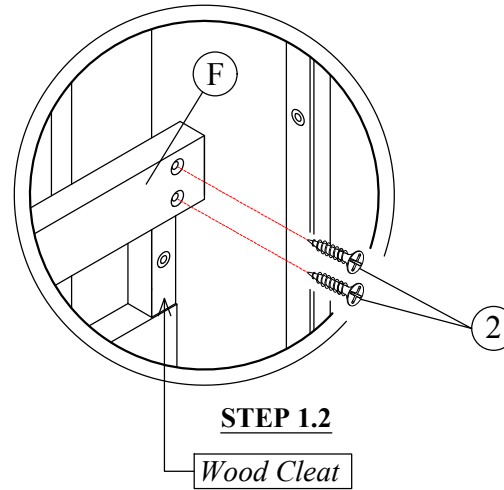
STEP 1.1: Attach & tighten the headboard leg (B) & (C) to the headboard (A). Affix headboard & headboard leg using JCBC screw M6 x 35mm (3), spring washer (5), flat washer (6) using L key M4 x 65mm (7).

STEP 1.2: Attach headboard support rail front (F) & affix using CSK screw M4 x 25mm (2). (Attach at the top of wood cleat as shown in diagram.)

STEP 1.3: Attach headboard support rail back (G) & affix using CSK screw M4 x 25mm (2). (Attach at the top of wood cleat as shown in diagram.)

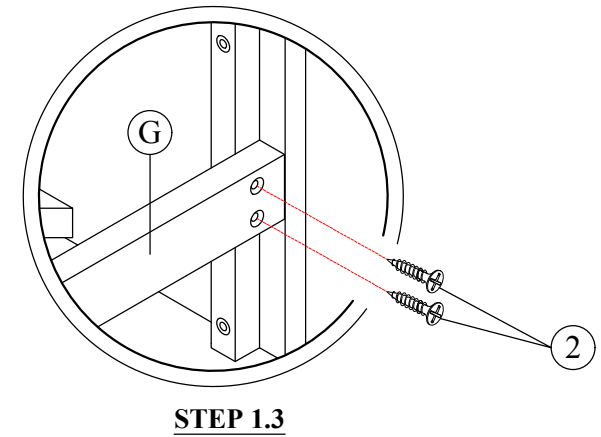


STEP 1.1

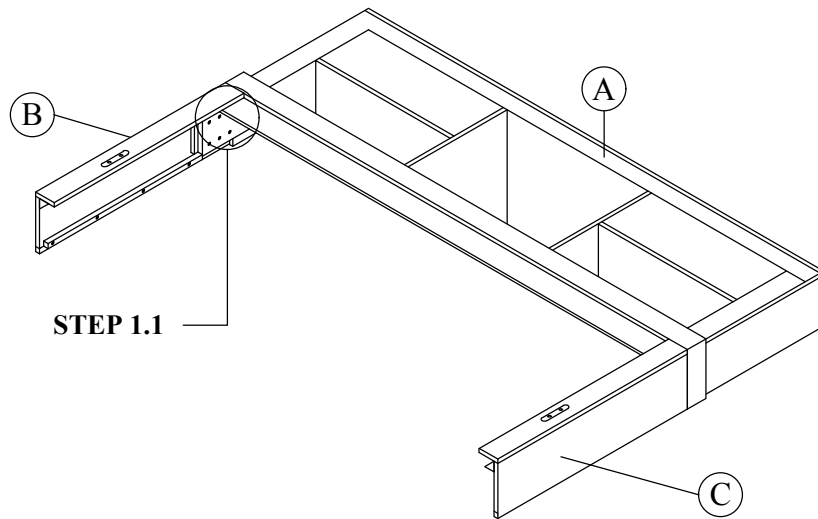


STEP 1.2

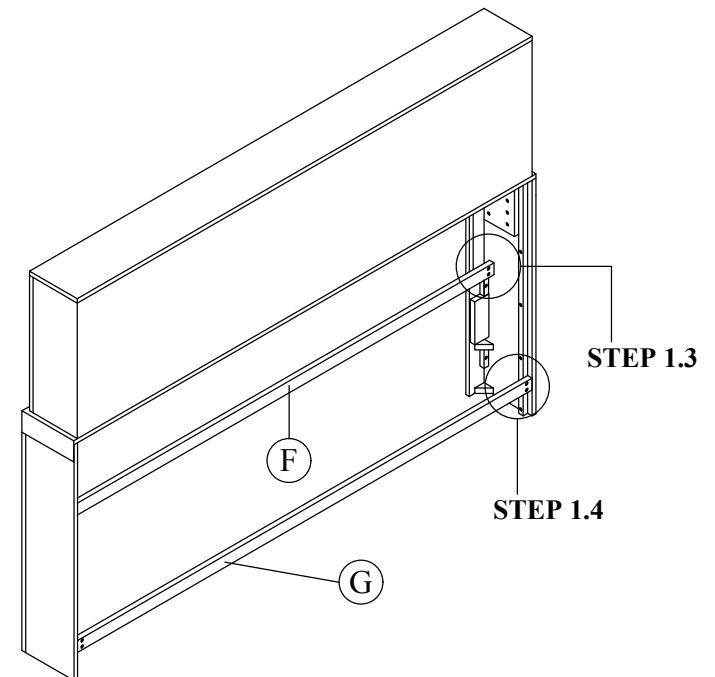
Wood Cleat



STEP 1.3



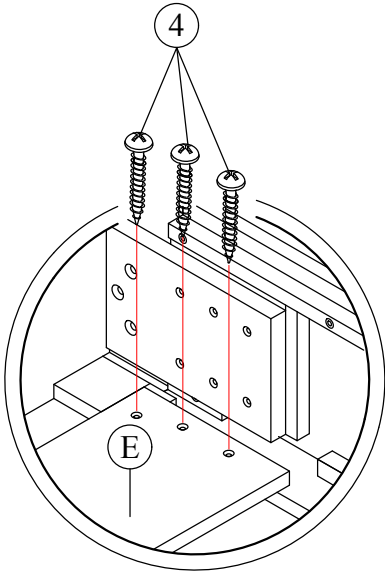
STEP 1.1



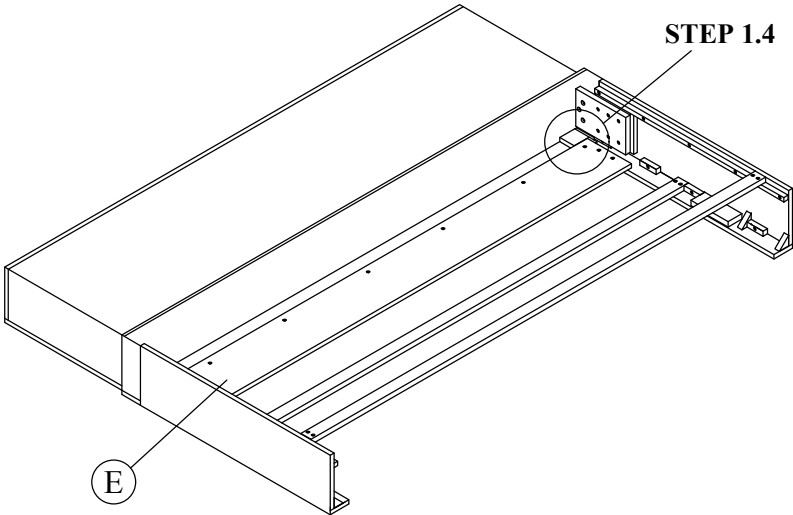
STEP 1.3

STEP 1.4

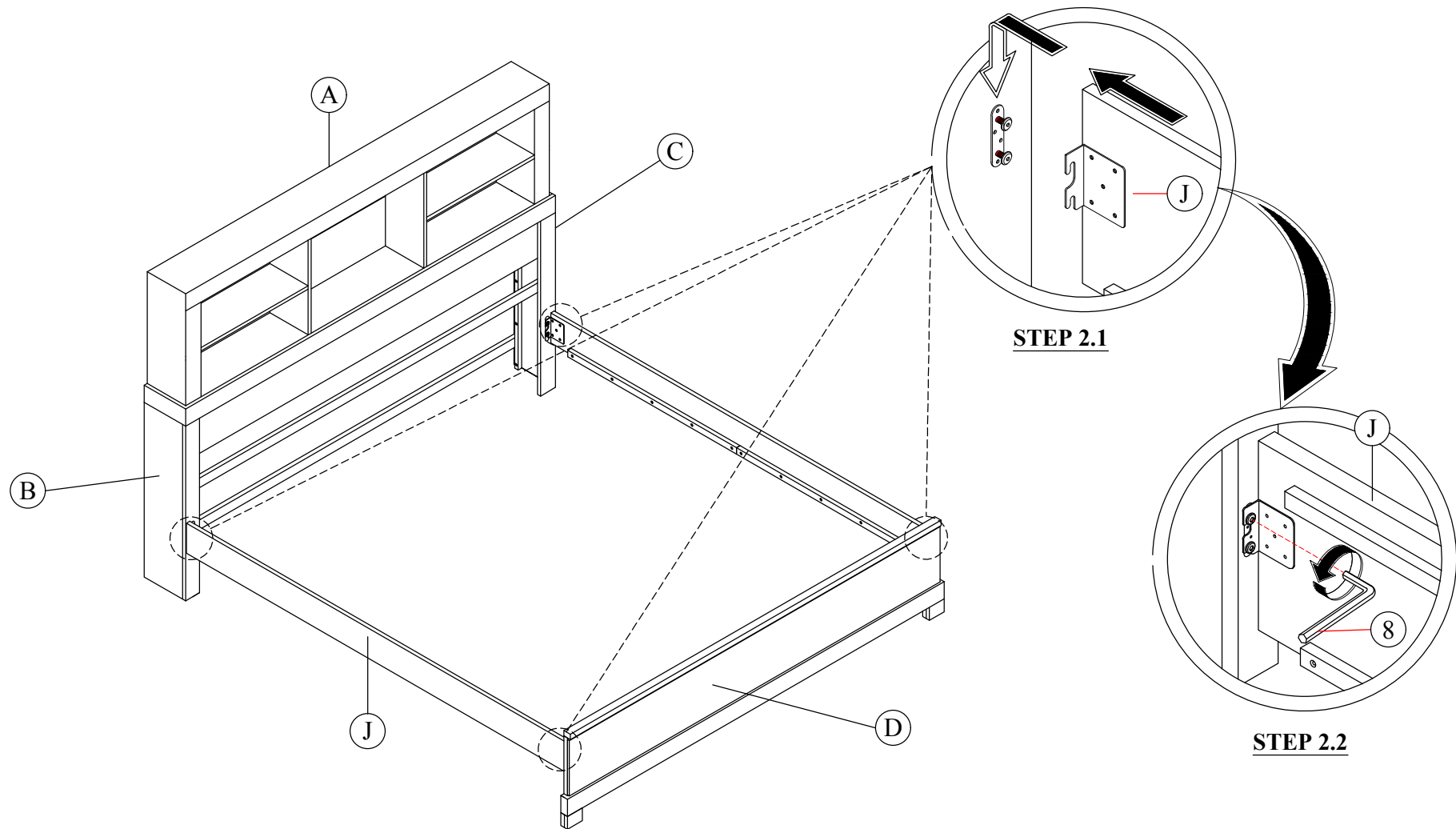
STEP 1.4: Attach hb front panel bottom cover (E) & affix using PHCB screw M4 x 20mm (4)



STEP 1.4



STEP 2.1: Attach the side rail (J) headboard leg (B) and (C)
STEP 2.2: Tighten screw on headboard leg by using L key M5 (8) & repeat the same step on footboard (D).



STEP 2.3: Attach the bed slat (H) to bed slat support (I). Adjust the adjuster until stable.
STEP 2.4: Adjuster the bed slat support (I) closes tightly.
STEP 2.5: Attach bed slat (H) and tighten to side rail (J) with CSK M4 x 32mm (1).

