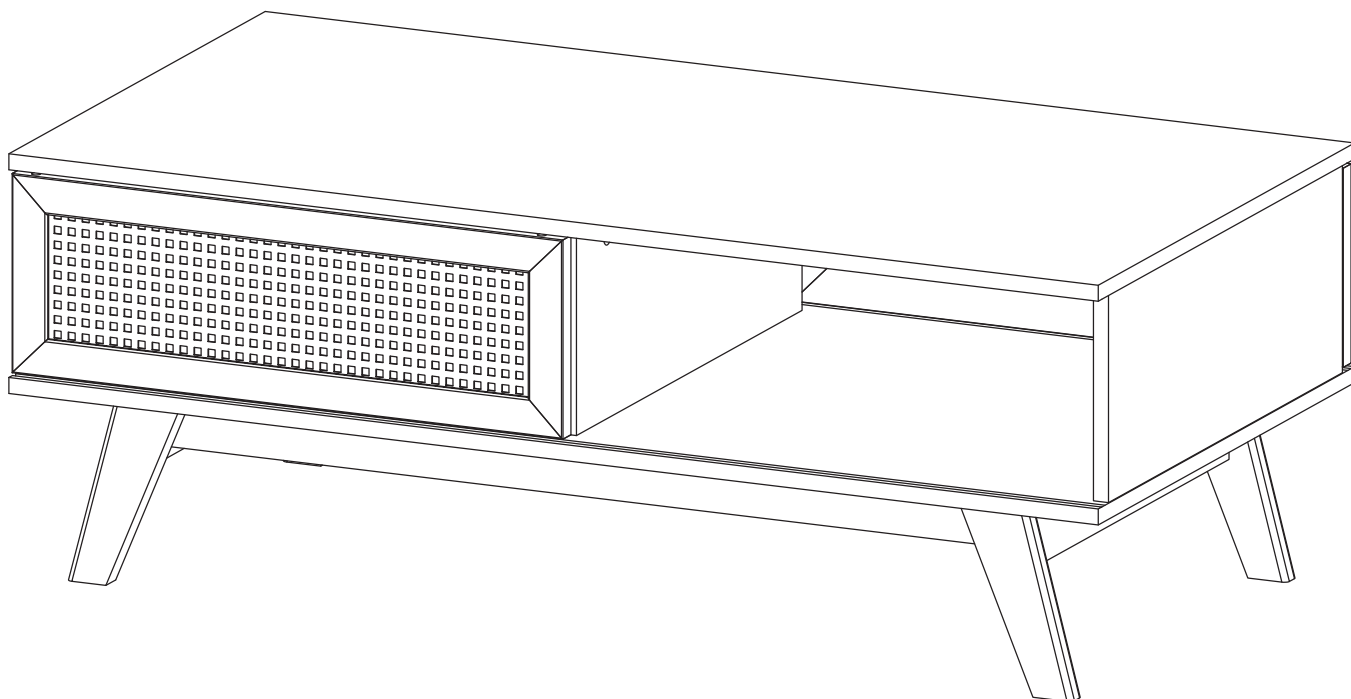


ASSEMBLY INSTRUCTIONS

EEI-6041

V0.03.14.22



Questions? Contact us!

609.256.9000 • cs@modway.com
www.modway.com

*modway



Read through all of the instructions before starting



Care instructions are listed in the last step of this manual



Approx. 60 minutes assembly time



Make sure you have all parts and components before discarding any packing materials



2 people recommended for assembly

Only use hand tools to assemble this item. Do not use power tools. Do not tighten bolts or screws completely until all hardware is lined up and inserted into the holes.

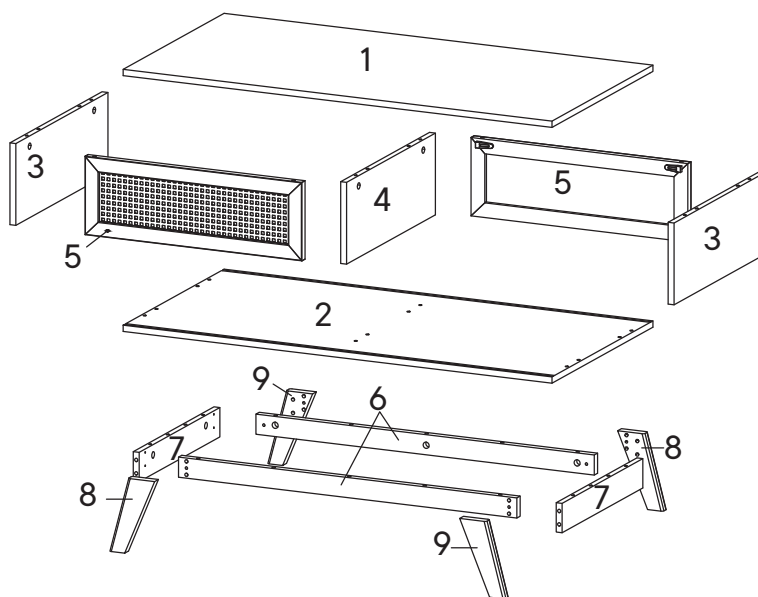
Do not over-tighten screws and bolts to avoid stripping the hardware or cracking the item.

Assemble your item on a flat, carpeted area, with plenty of space to work. This will prevent damage and scratches to your floors or the item while you're assembling the product.

Keep all components and packaging out of reach of children or animals to avoid risk of choking or suffocation.

Furniture components:

1	Top Board	x1
2	Bottom Board	x1
3	Side Board	x2
4	Center Board	x1
5	Frame Door	x2
6	Bottom Skirt 1	x2
7	Bottom Skirt 2	x2
8	Leg 1	x2
9	Leg 2	x2



Provided hardware:

A		Cam Bolt $\varnothing 6 \times 35$ mm	x16
B		Cam Lock $\varnothing 15$ mm	x16
C		Wood Dowel $\varnothing 8 \times 30$ mm	x36
D		Allen Key	x1
E		Screw M 7 x 50 mm	x6
F		Screw M 6 x 12.5 mm	x12
G		Floor Protector	x4
H		Screw M 6.4 x 35 mm	x4
I		Pin Sliding Top	x4

J		Pin Sliding Bottom	x4
K		Bracket	x4
L		Screw M 4.5 x 12.5 mm	x8
M		Stopper	x4
N		Screw Cap $\varnothing 15$ mm	x6
US70		Anti - Deflection Bar	x1

What you need:



Wait!

Missing parts or hardware? Need assistance?
Contact us before returning your item. We're here to help!
609.256.9000 • cs@modway.com

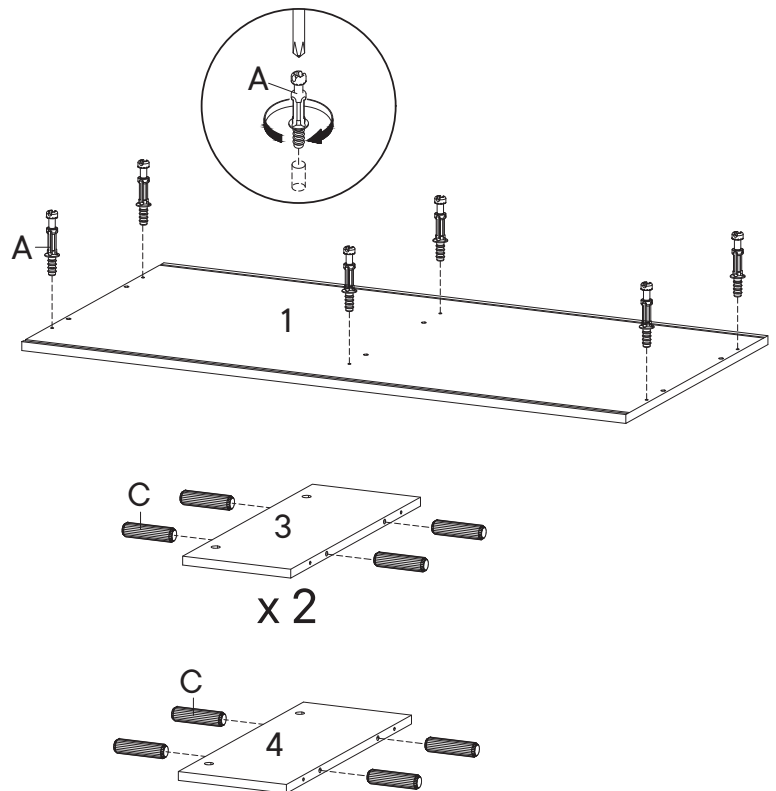
Step 1

HARDWARE

- A** Cam Bolt Ø6 x 35 mm x6
- C** Wood Dowel Ø8 x 30 mm x12

COMPONENTS

- 1** Top Board x1
- 3** Side Board x2
- 4** Center Board x1



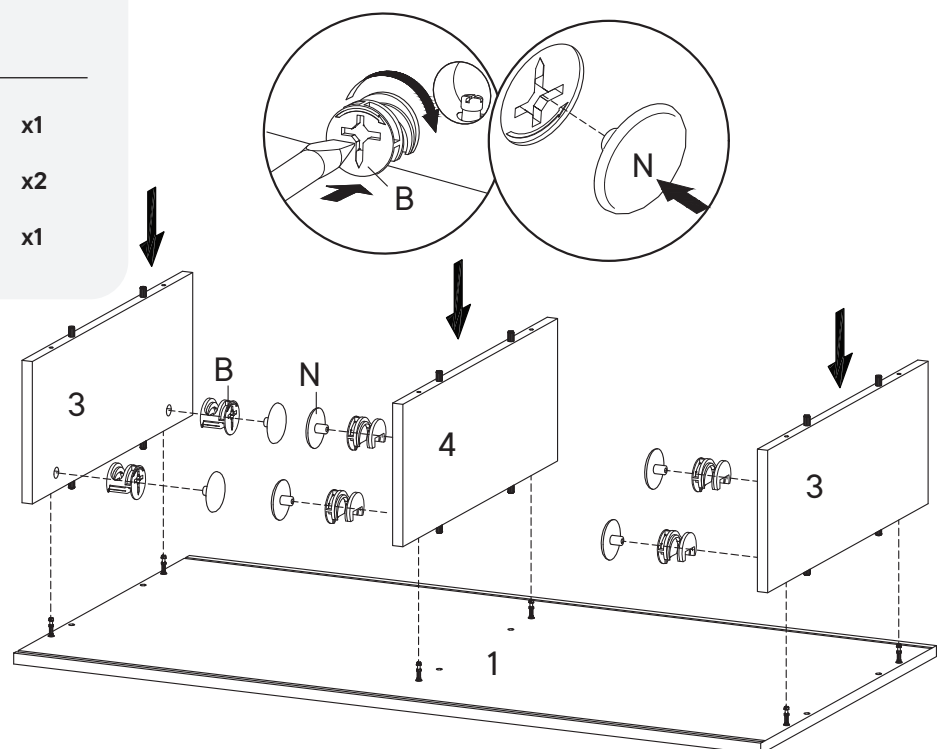
Step 2

HARDWARE

- B** Cam Lock Ø15 mm x6
- N** Screw Cap Ø15 mm x6

COMPONENTS

- 1** Top Board x1
- 3** Side Board x2
- 4** Center Board x1



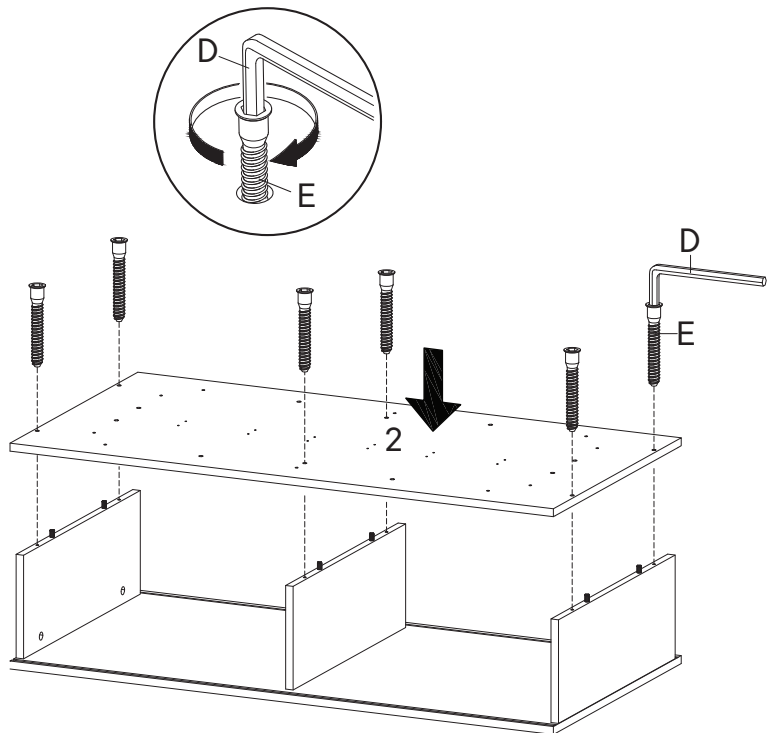
Step 3

HARDWARE

- D** Allen Key x1
- E** Screw M 7 x 50 mm x6

COMPONENTS

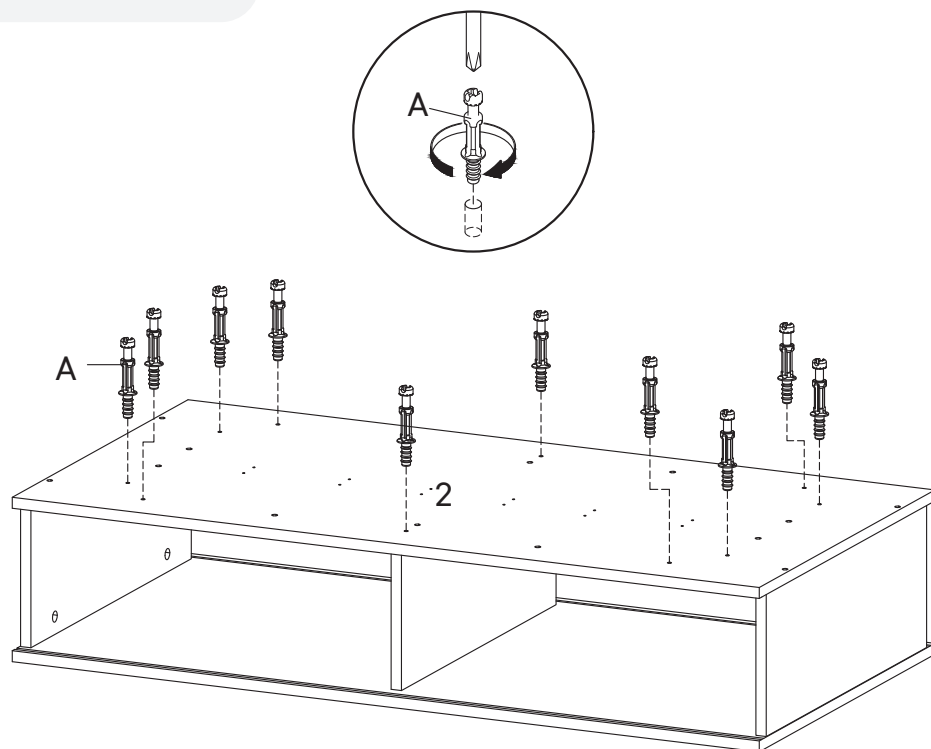
- 2** Bottom Board x1



Step 4

HARDWARE

- A** Cam Bolt $\varnothing 6$ x 35 mm x10



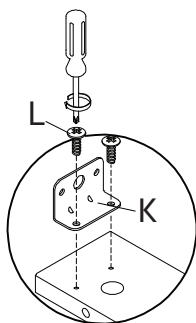
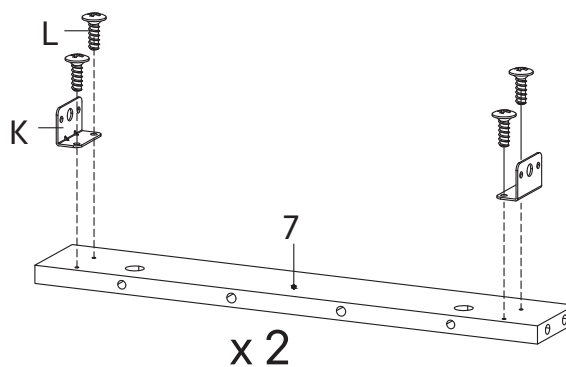
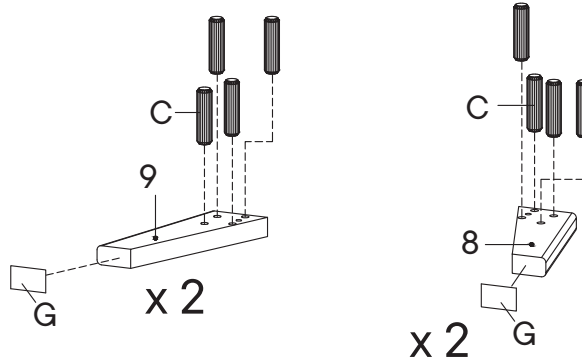
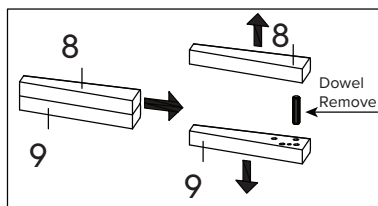
Step 5

HARDWARE

- C** Wood Dowel Ø8 x 30 mm x16
- G** Floor Protector x4
- K** Bracket x4
- L** Screw M 4.5 x 12.5 mm x8

COMPONENTS

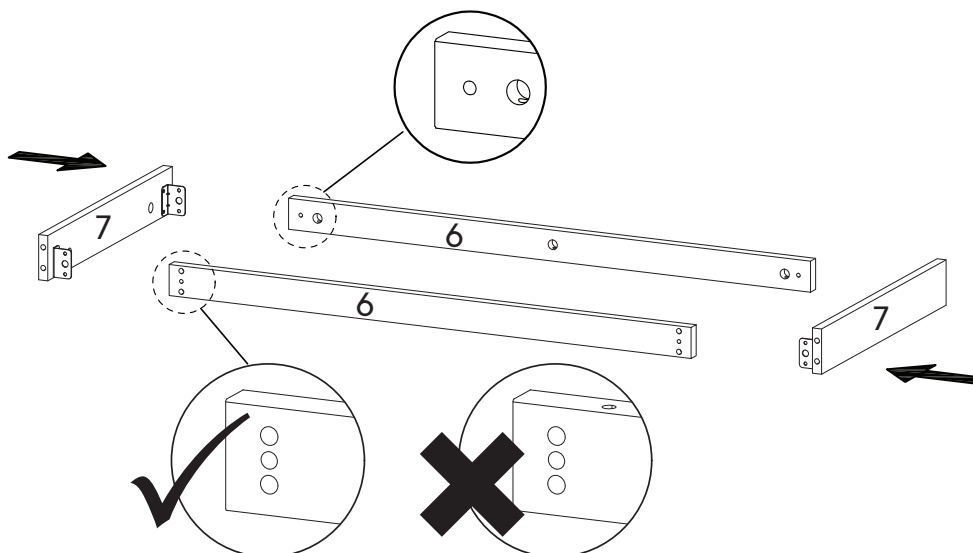
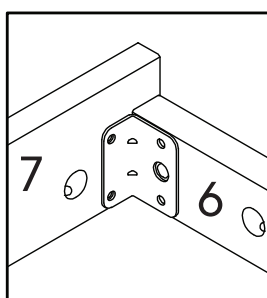
- 7** Bottom Skirt 2 x2
- 8** Leg 1 x2
- 9** Leg 2 x2



Step 6

COMPONENTS

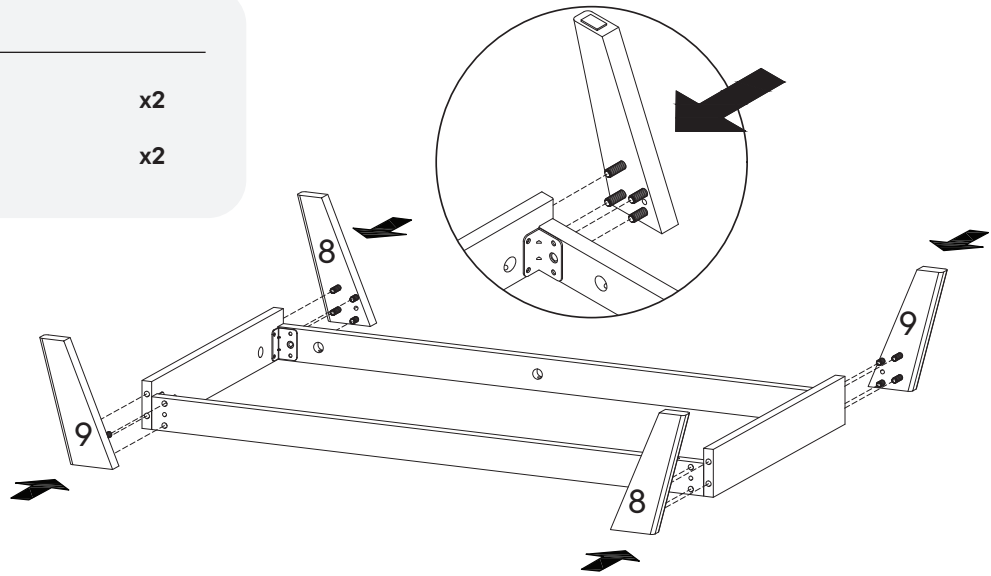
- 6** Bottom Skirt 1 x2
- 7** Bottom Skirt 2 x2



Step 7

COMPONENTS

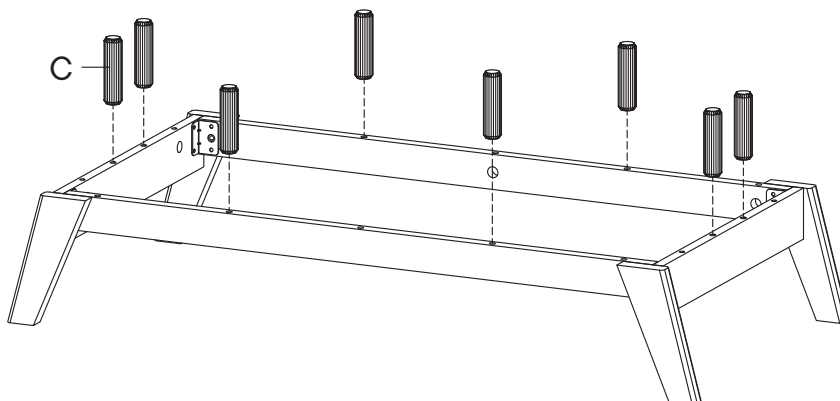
- 8 Leg 1 x2
- 9 Leg 2 x2



Step 8

HARDWARE

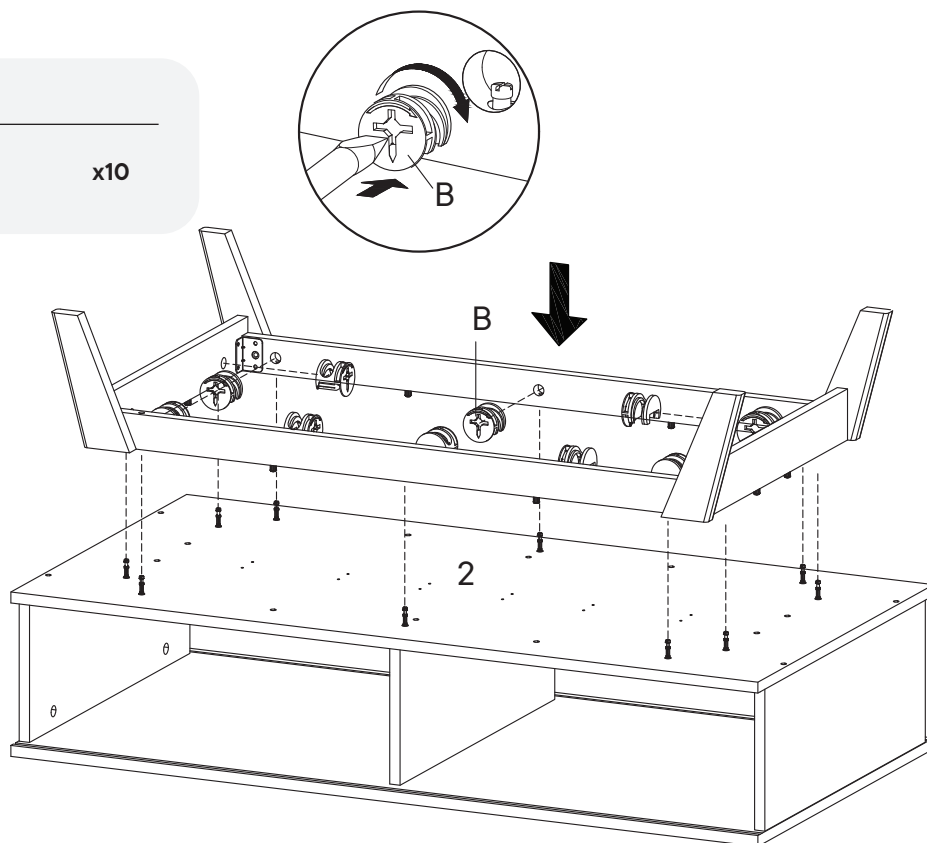
- C Wood Dowel Ø8 x 30 mm x8



Step 9

HARDWARE

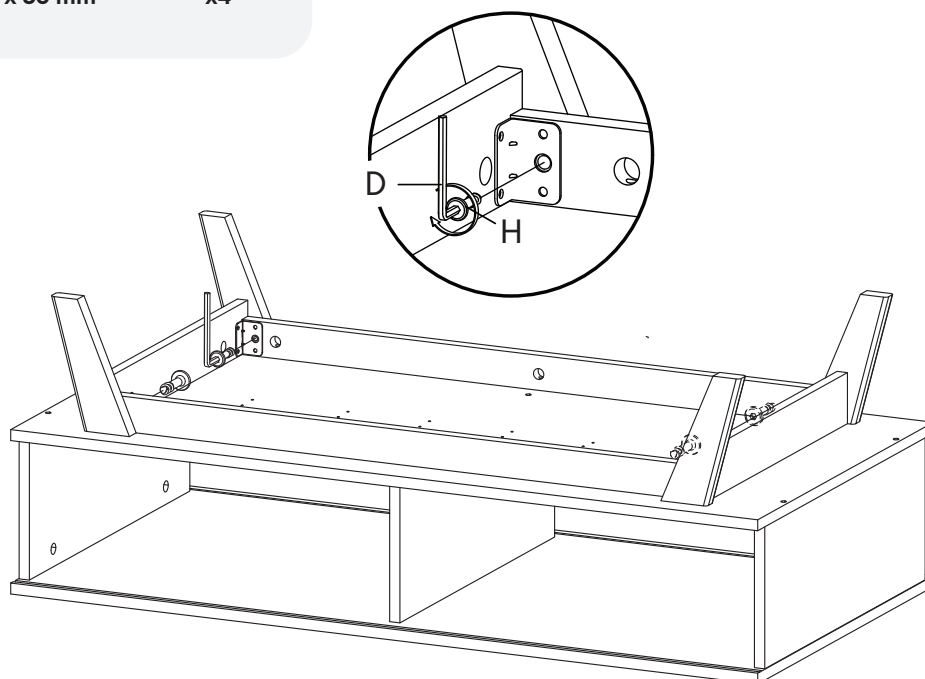
- B** Cam Lock $\varnothing 15$ mm x10



Step 10

HARDWARE

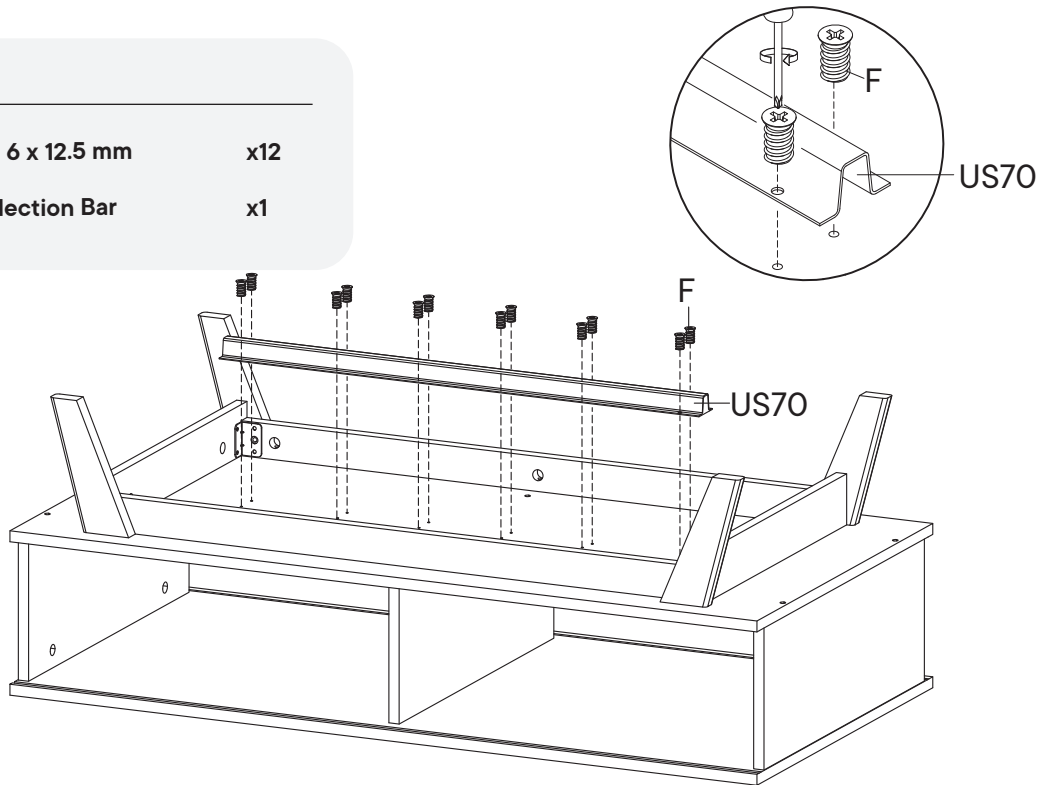
- D** Allen Key x1
- H** Screw M 6.4 x 35 mm x4



Step 11

HARDWARE

- F** Screw M 6 x 12.5 mm x12
- US70** Anti-Deflection Bar x1



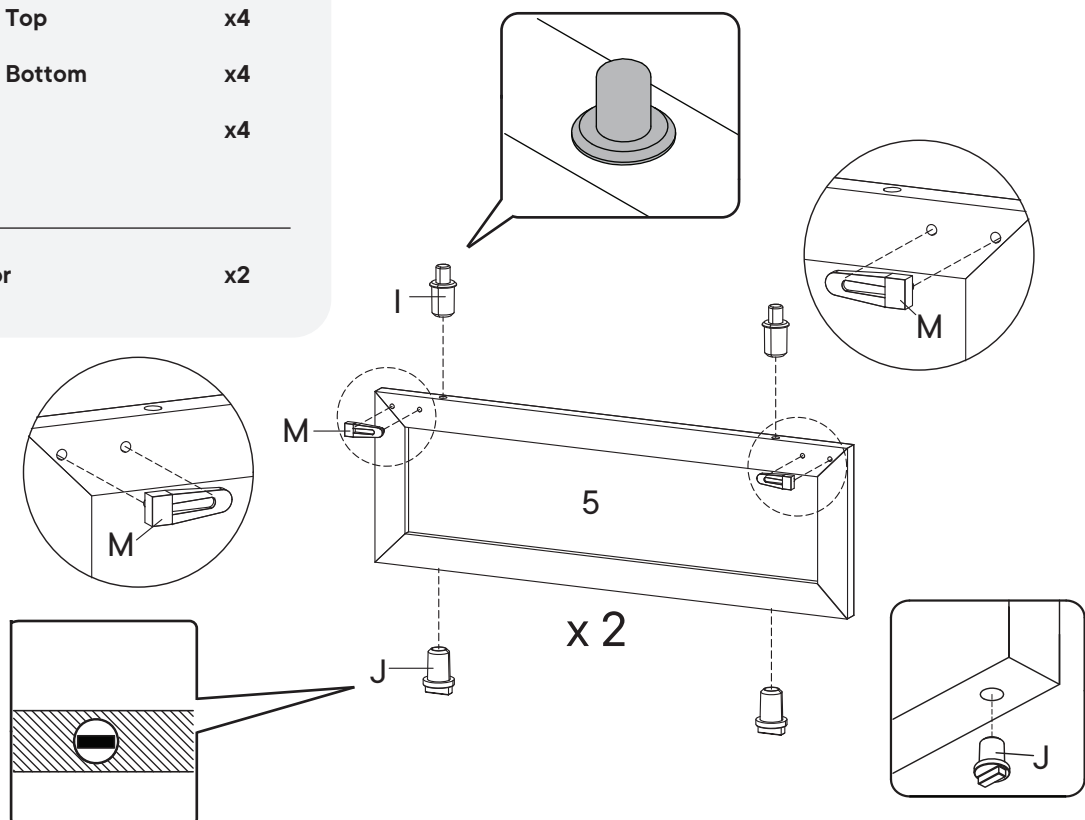
Step 12

HARDWARE

- I** Pin Sliding Top x4
- J** Pin Sliding Bottom x4
- M** Stopper x4

COMPONENT

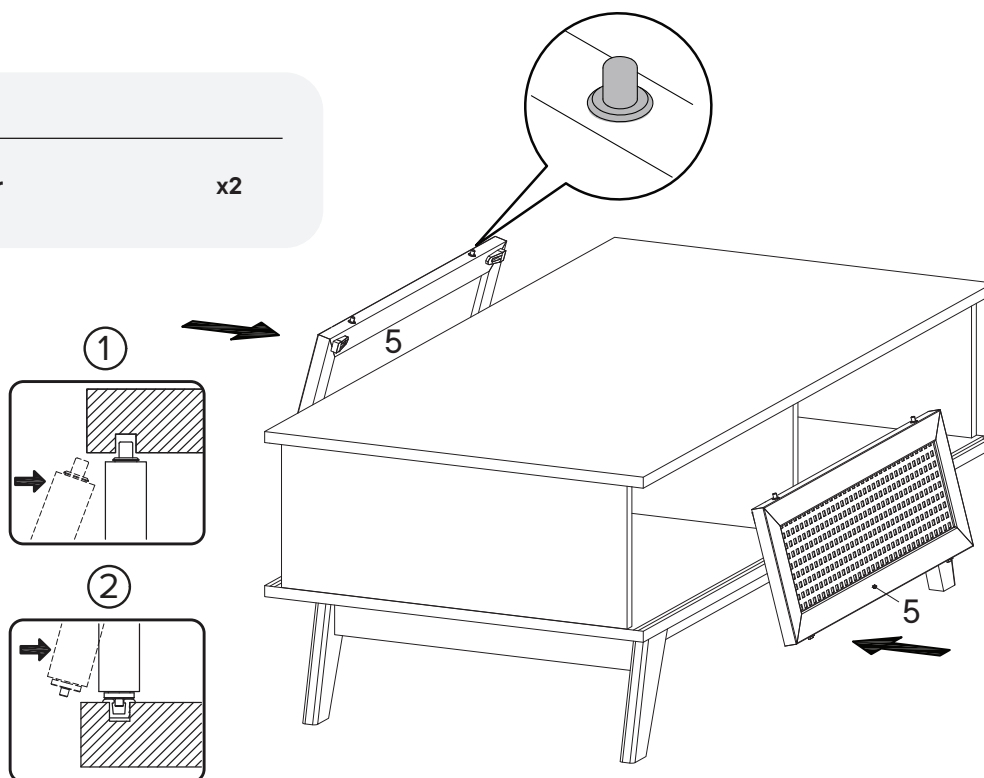
- 5** Frame Door x2



Step 13

COMPONENT

5 Frame Door x2



Great job!

Coffee Table assembly is complete.

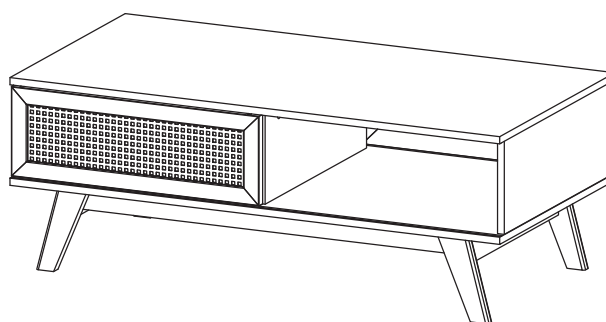
♥ CARING FOR YOUR ITEM

Indoor use only.

Not contract grade.

Clean using a non-abrasive cloth and a mild cleaner.

Never use harsh chemicals, as they could damage the finish or integrity of the item.



CONNECT WITH US!   

Tag us @modway_furniture and #modway for a chance to be featured.