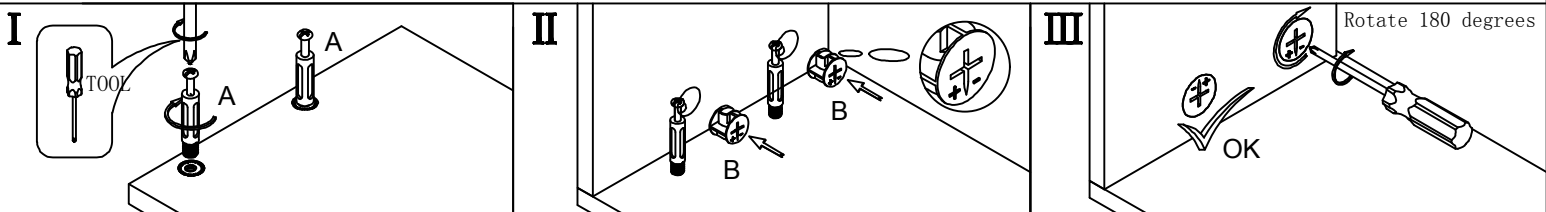
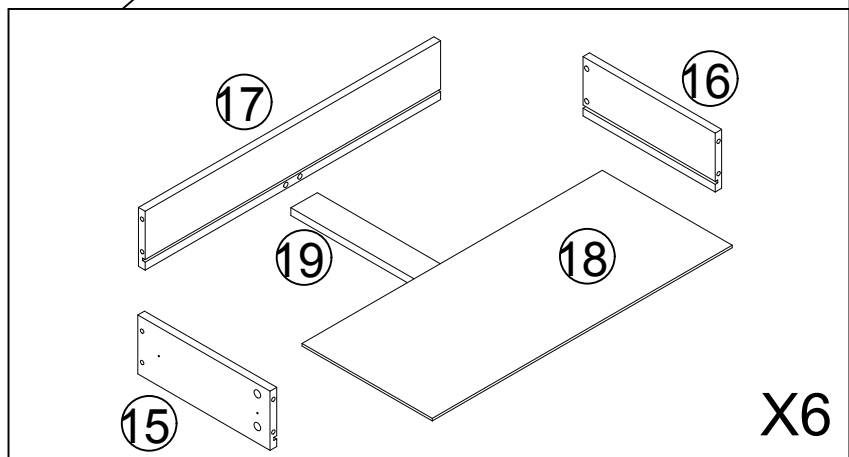
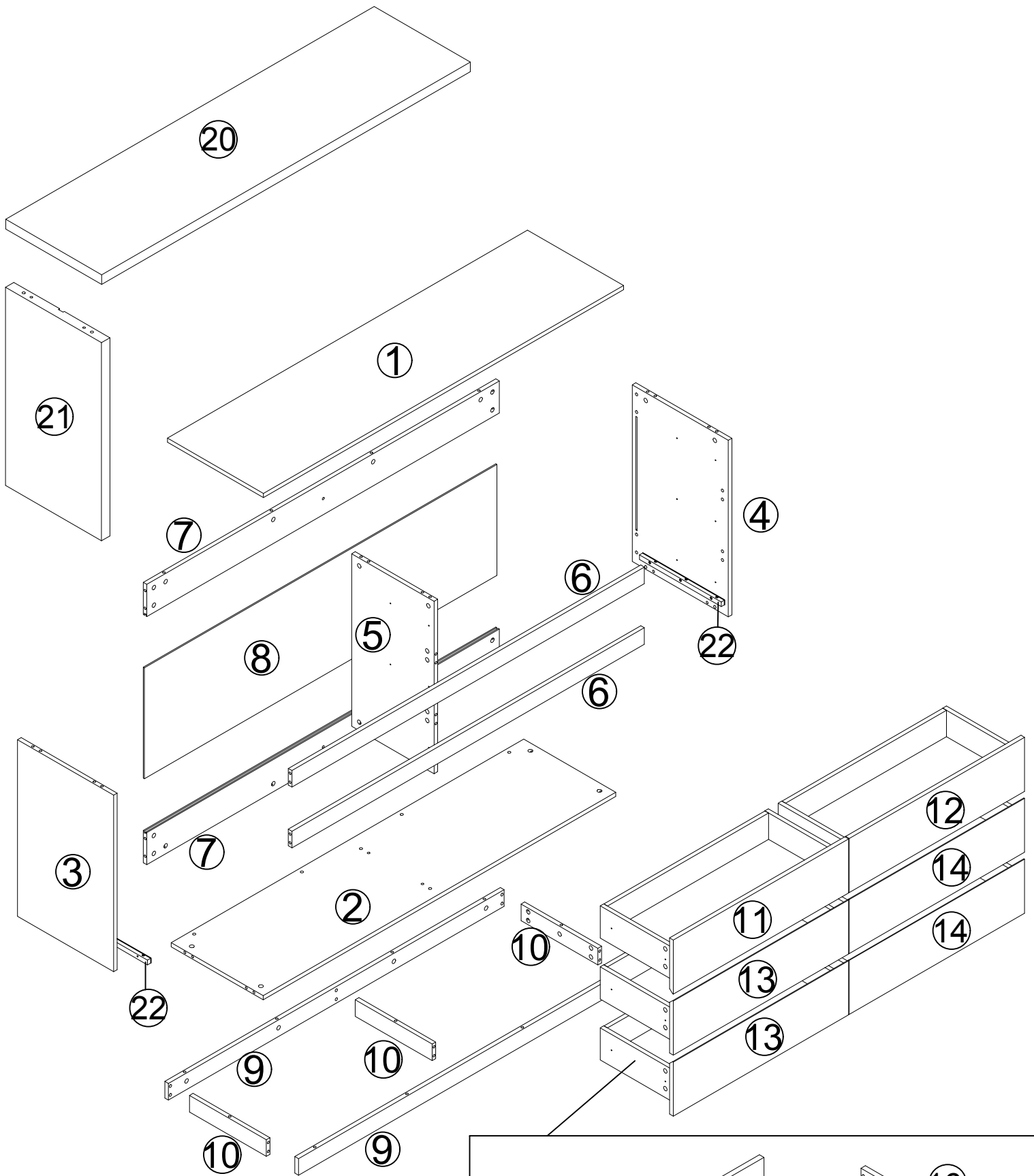


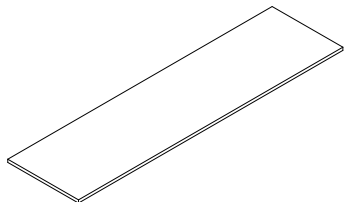
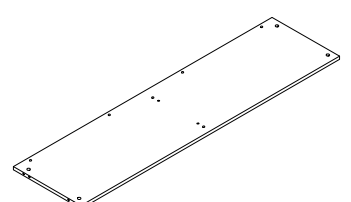
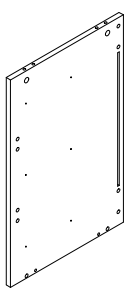
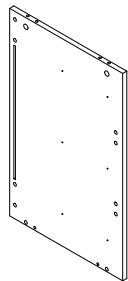
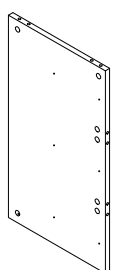
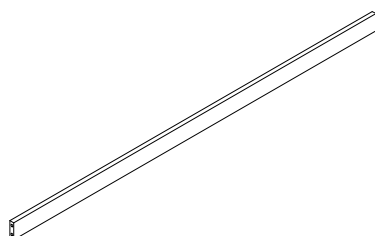
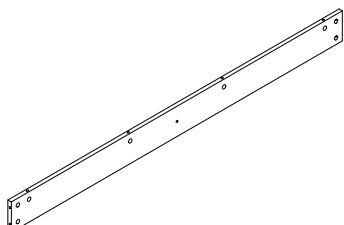
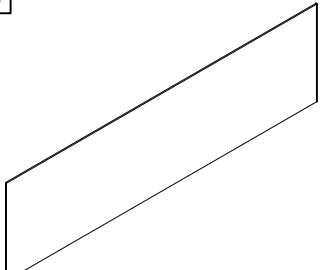
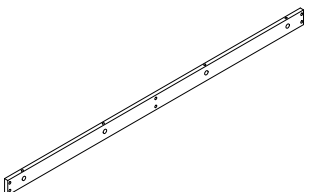
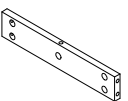
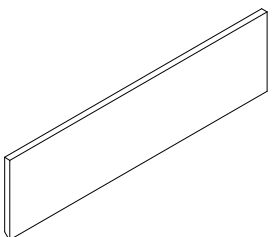
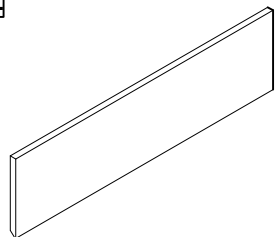
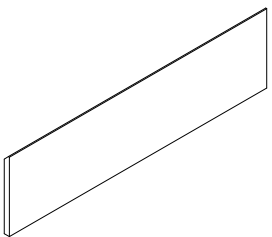
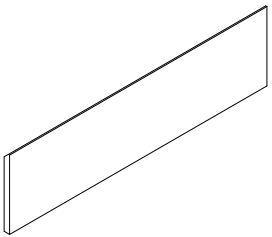
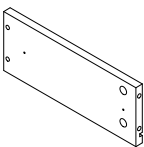
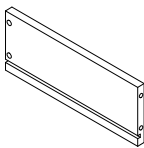
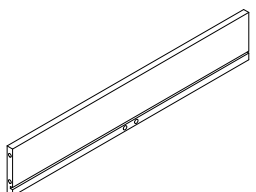
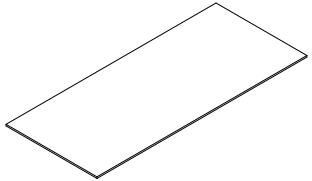
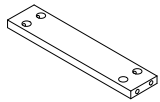
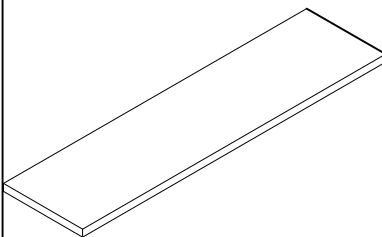
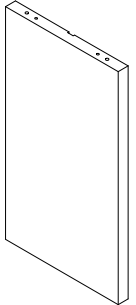
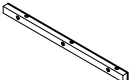
Disassembly and installation of accessories



A 135+3 Ø6*35mm	B 135+3 Ø15*11.5mm	C 14 Ø8*40mm	D 72+3 M3.5*12mm	E 2 Ø6*38mm	F 4 Ø40*3mm	G 12 G ₁ G ₂ 12"
H 16 M3.5*16mm	I 10 	J 8 	K 1 	L 12 M3.5*25mm	M 2 M8	N 2 M8
O 2 M8*75mm	P 1 	Q 1 	R 2 			

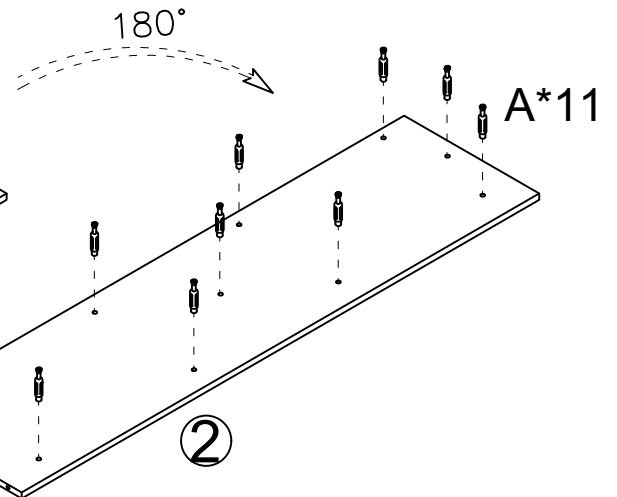
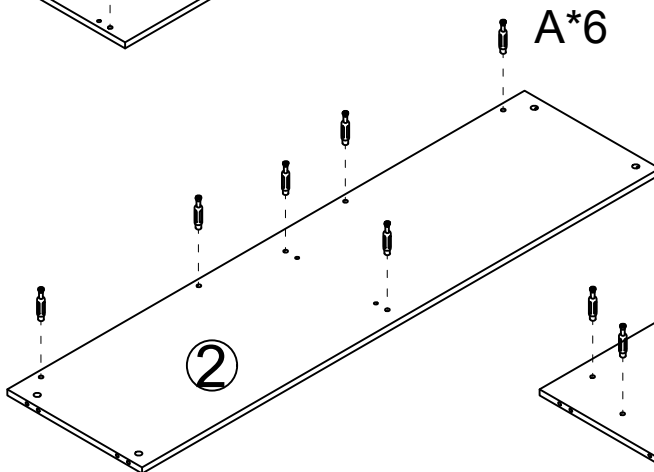
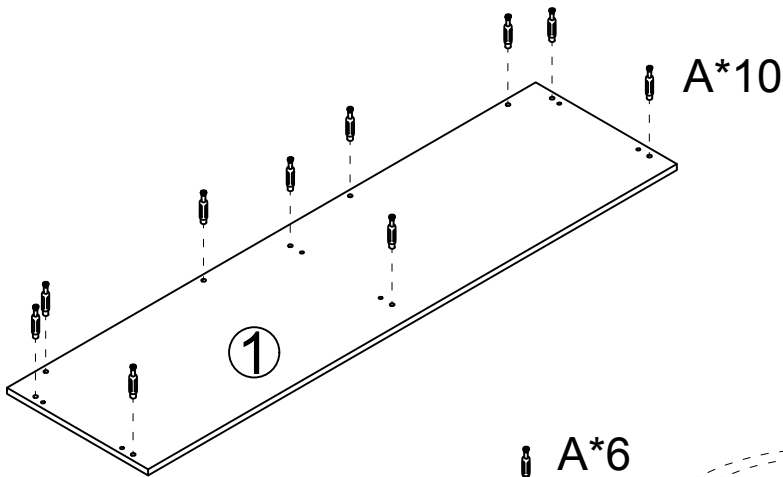
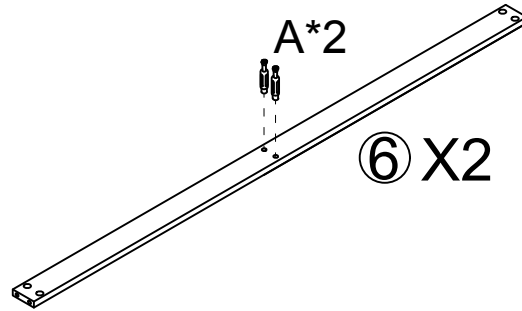
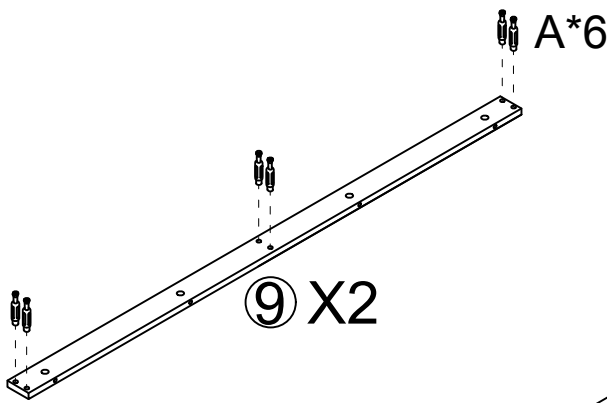
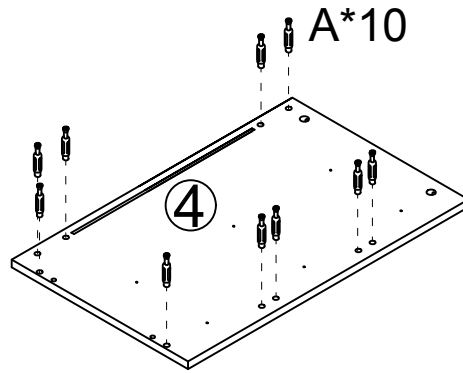
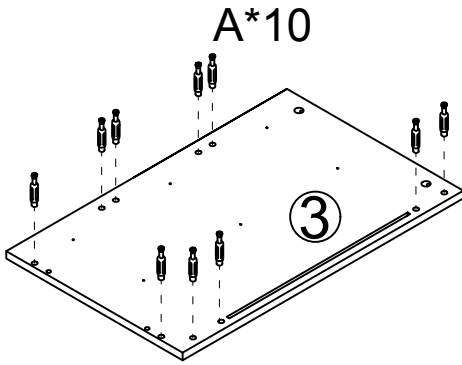
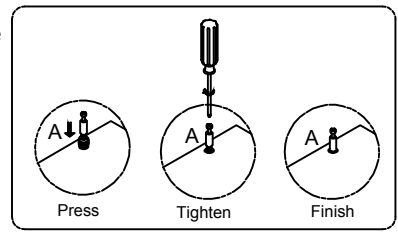
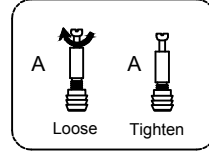


X6

<p>1</p>  <p>1PCS</p>	<p>2</p>  <p>1PCS</p>	<p>3</p>  <p>1PCS</p>	<p>4</p>  <p>1PCS</p>
<p>5</p>  <p>1PCS</p>	<p>6</p>  <p>2PCS</p>	<p>7</p>  <p>2PCS</p>	<p>8</p>  <p>1PCS</p>
<p>9</p>  <p>2PCS</p>	<p>10</p>  <p>3PCS</p>	<p>11</p>  <p>1PCS</p>	<p>12</p>  <p>1PCS</p>
<p>13</p>  <p>2PCS</p>	<p>14</p>  <p>2PCS</p>	<p>15</p>  <p>6PCS</p>	<p>16</p>  <p>6PCS</p>
<p>17</p>  <p>6PCS</p>	<p>18</p>  <p>6PCS</p>	<p>19</p>  <p>6PCS</p>	<p>20</p>  <p>1PCS</p>
<p>21</p>  <p>1PCS</p>	<p>22</p>  <p>2PCS</p>		

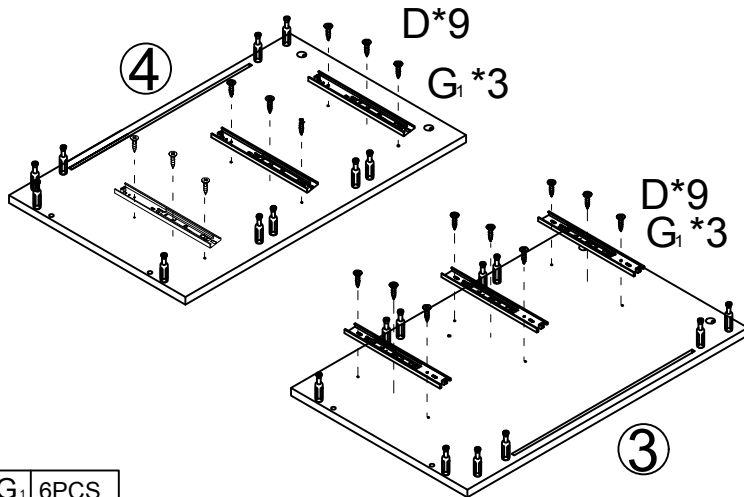
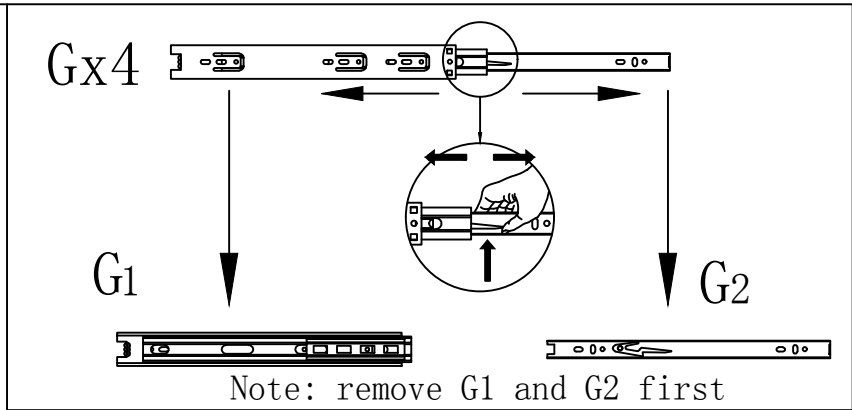
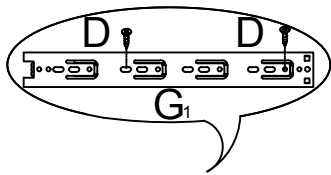
STEP 1


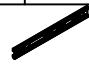
Make sure the screws are loose before pressing



A	63PCS
	
Ø6*35mm	

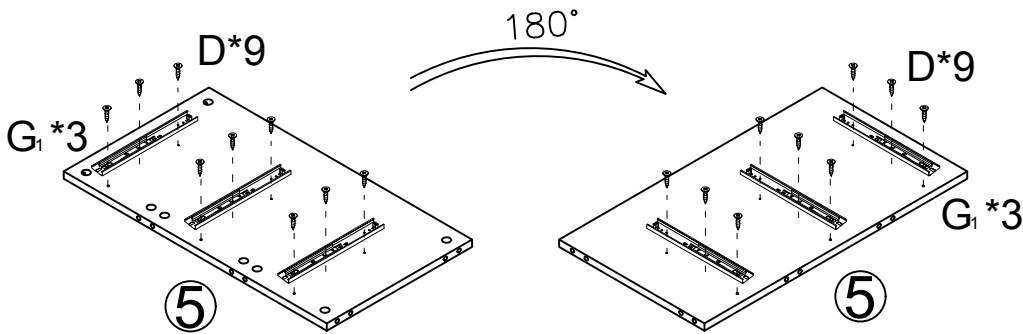
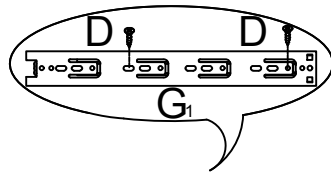
STEP 2


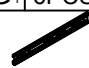


D 18PCS	G ₁ 6PCS
	
M3.5*12mm	12"



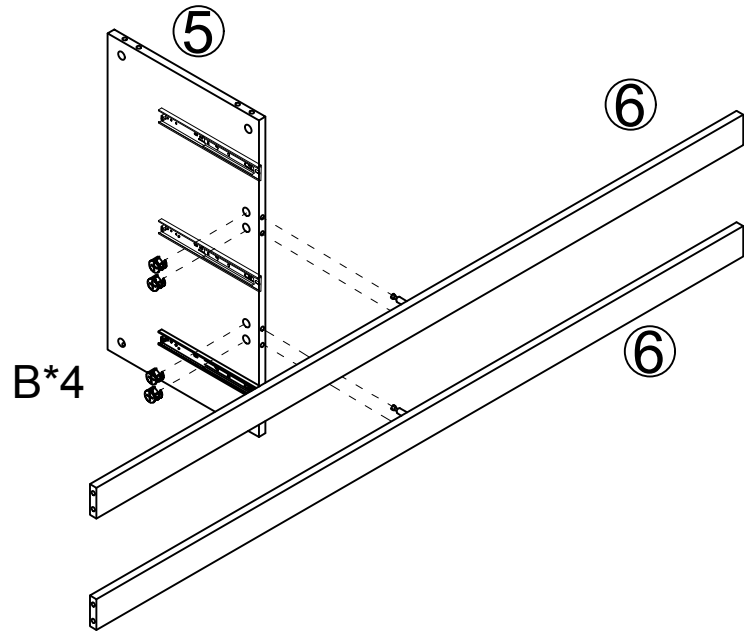
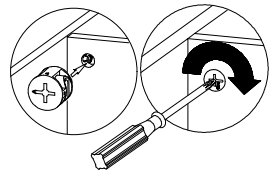
STEP 3



D 18PCS	G ₁ 6PCS
	
M3.5*12mm	12"

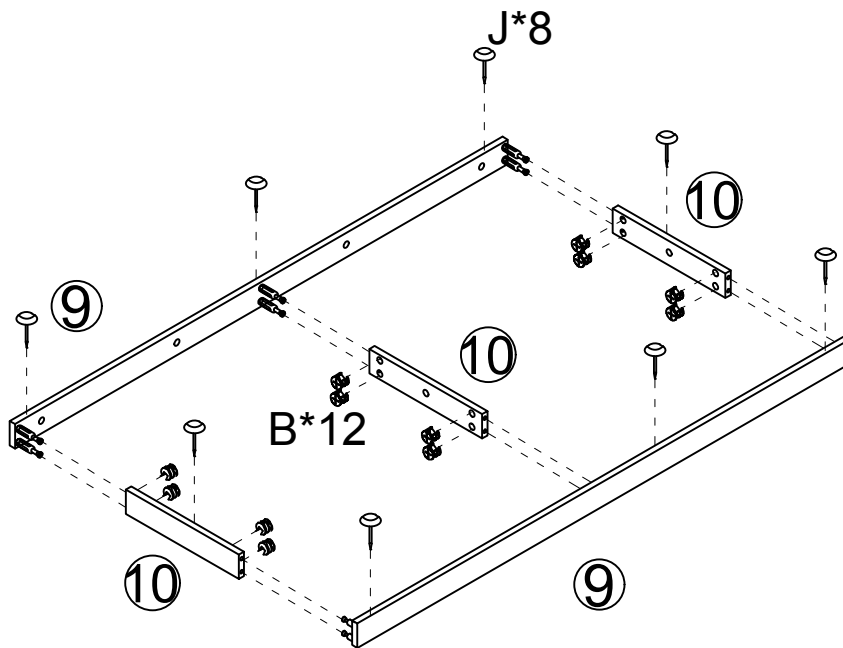
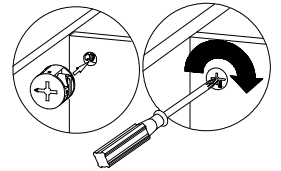


STEP 4



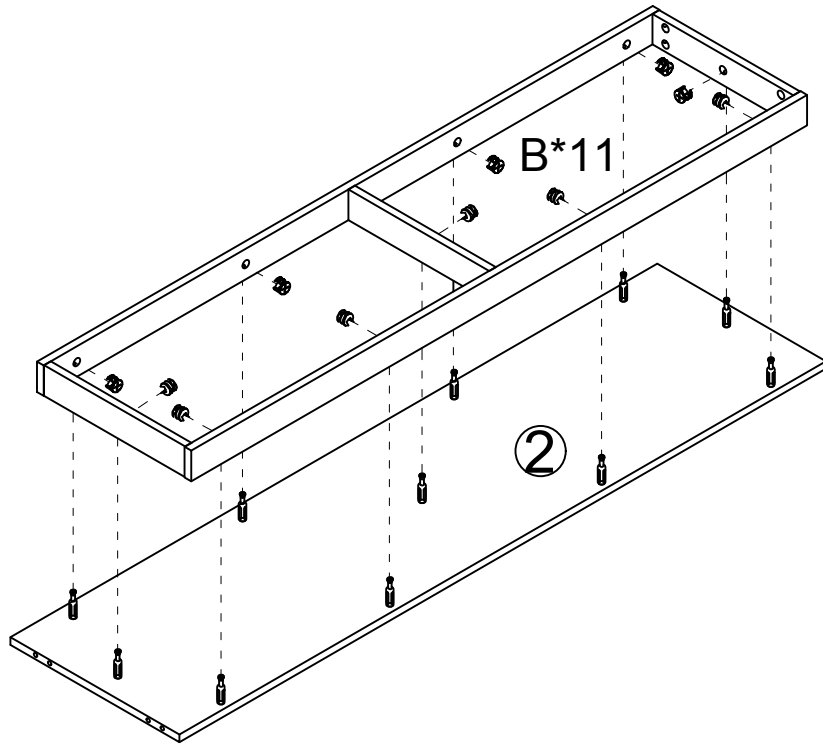
B	4PCS
Ø 15*11.5mm	


STEP 5



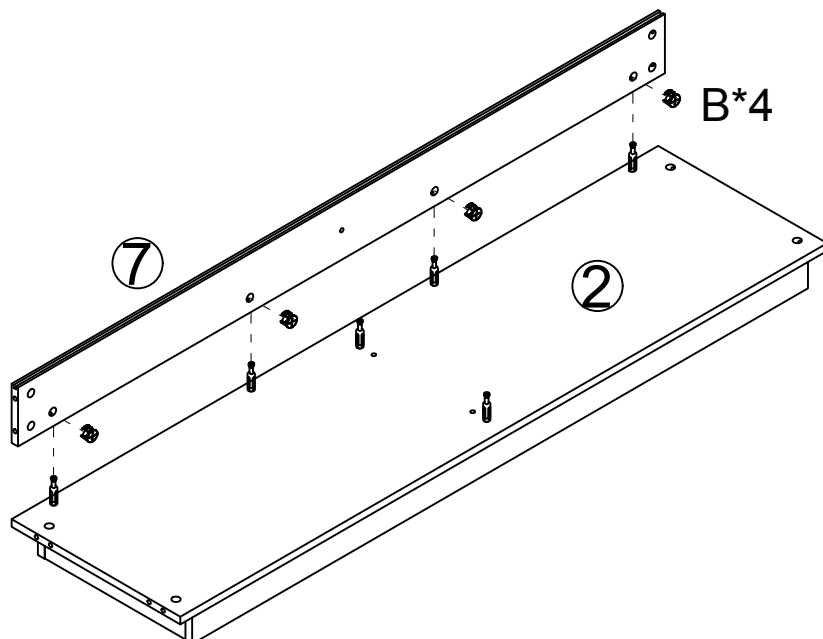
B	12PCS	J	8PCS
Ø 15*11.5mm			


STEP 6

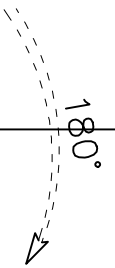


B	11PCS
	
Ø 15*11.5mm	

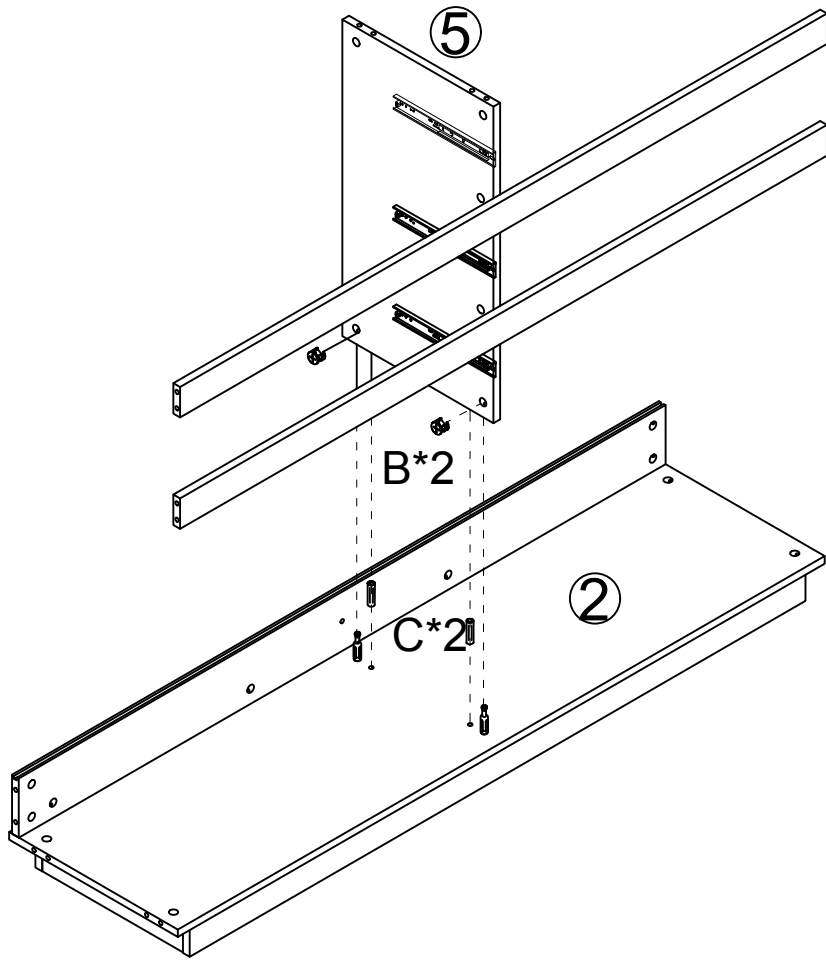
STEP 7





B	4PCS
	
Ø 15*11.5mm	

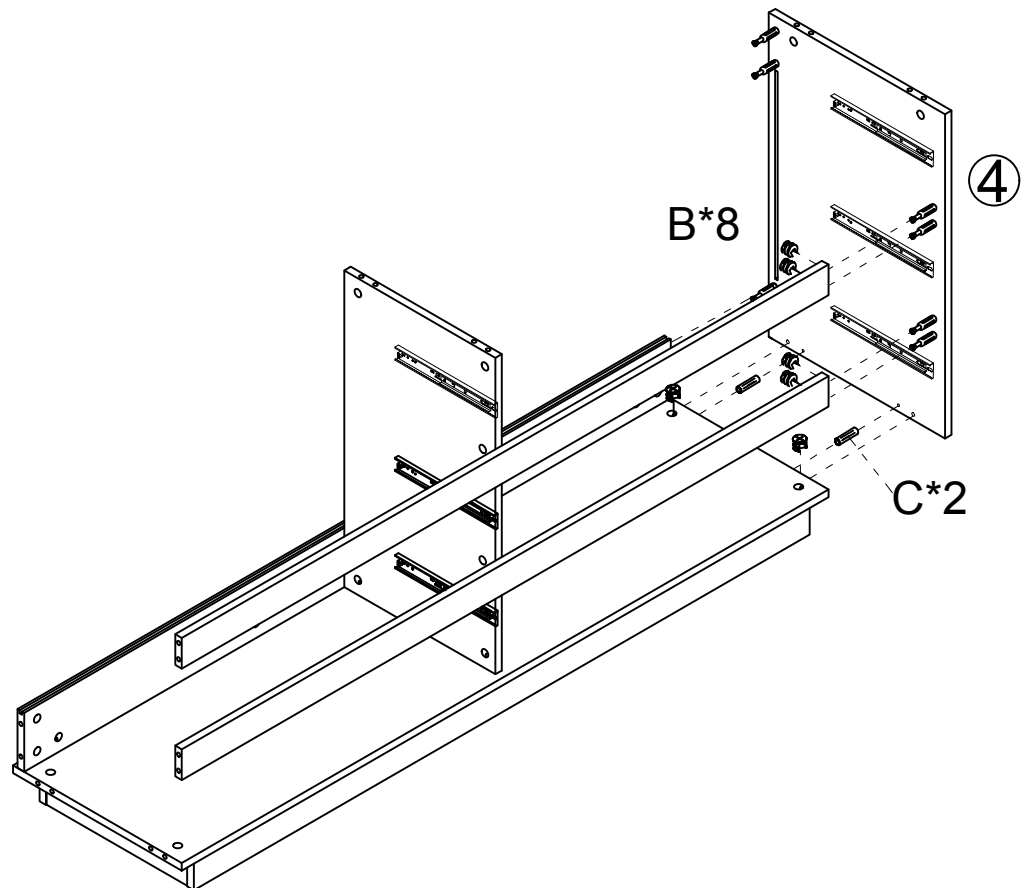




STEP 8



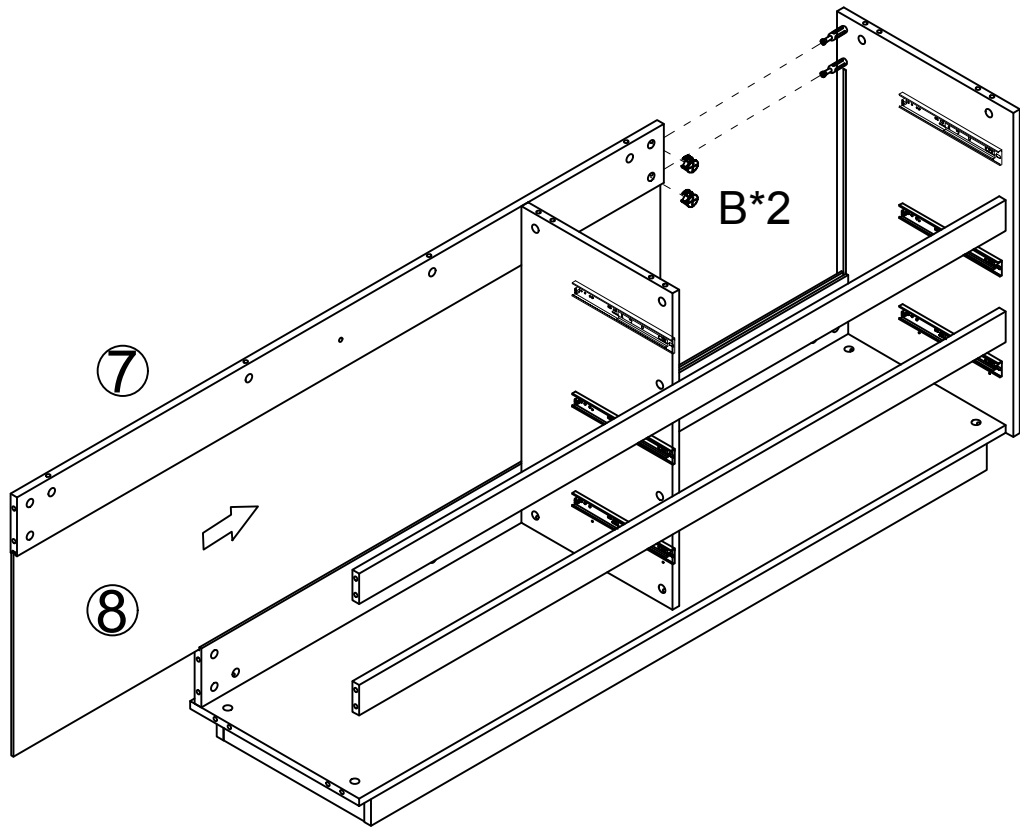
B 2PCS	C 2PCS
	
Ø 15*11.5mm	Ø8*40mm


STEP 9



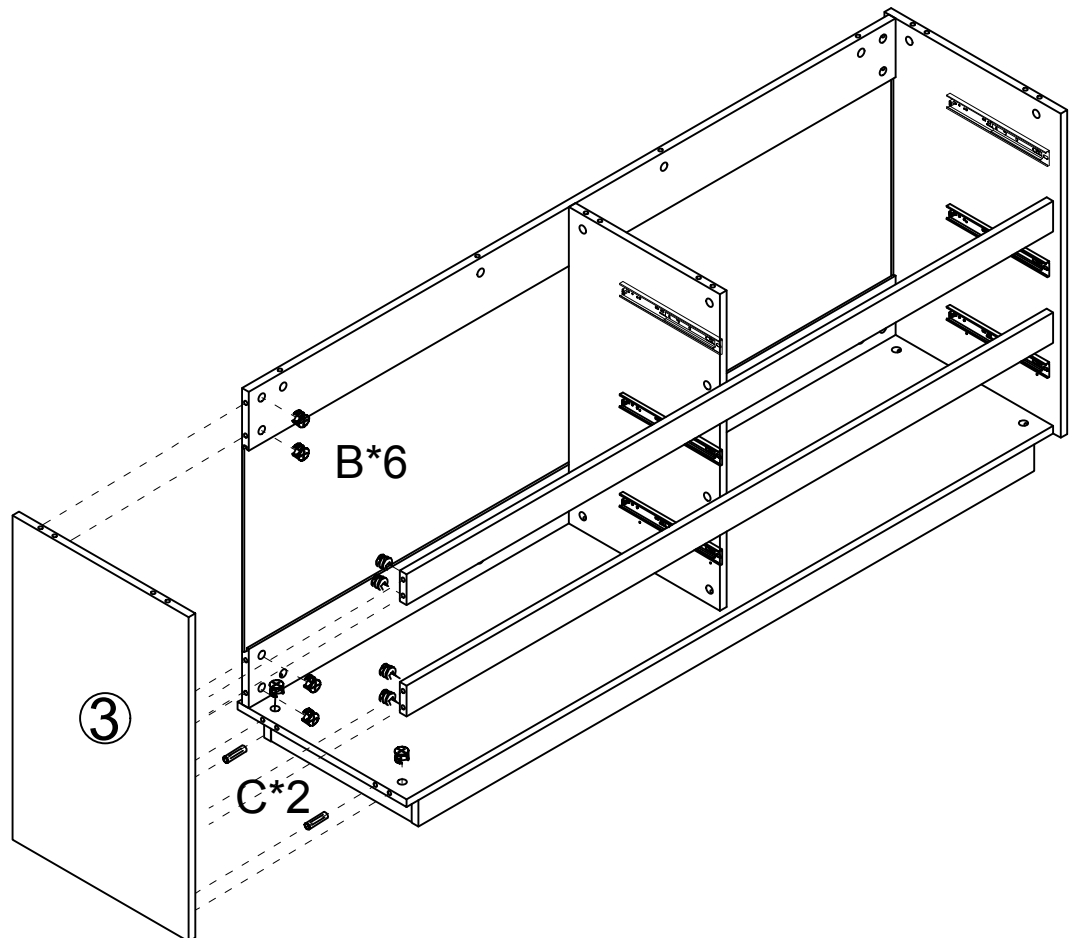
B 8PCS	C 2PCS
	
Ø 15*11.5mm	Ø8*40mm



STEP 10



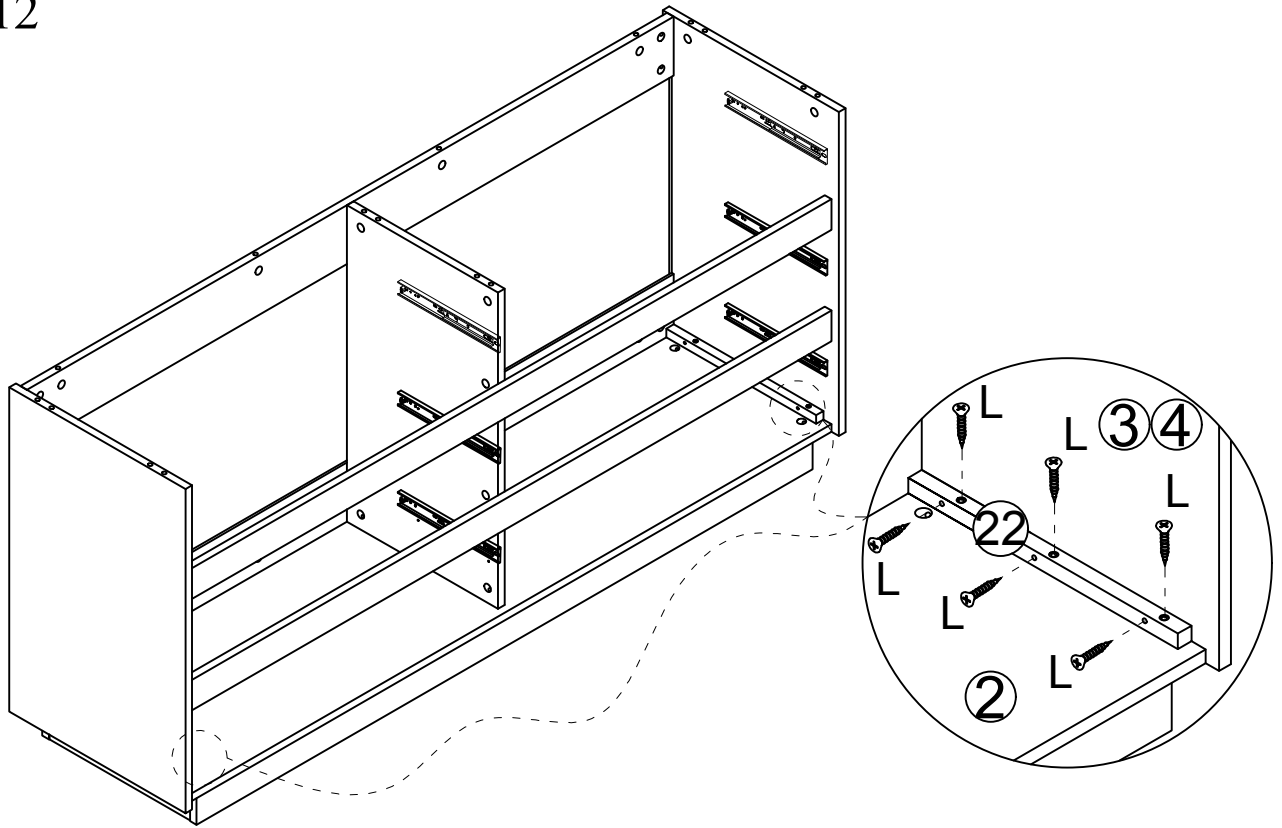
B	2PCS
	
Ø 15*11.5mm	


STEP 11



B	10PCS	C	2PCS
			
Ø 15*11.5mm		Ø8*40mm	

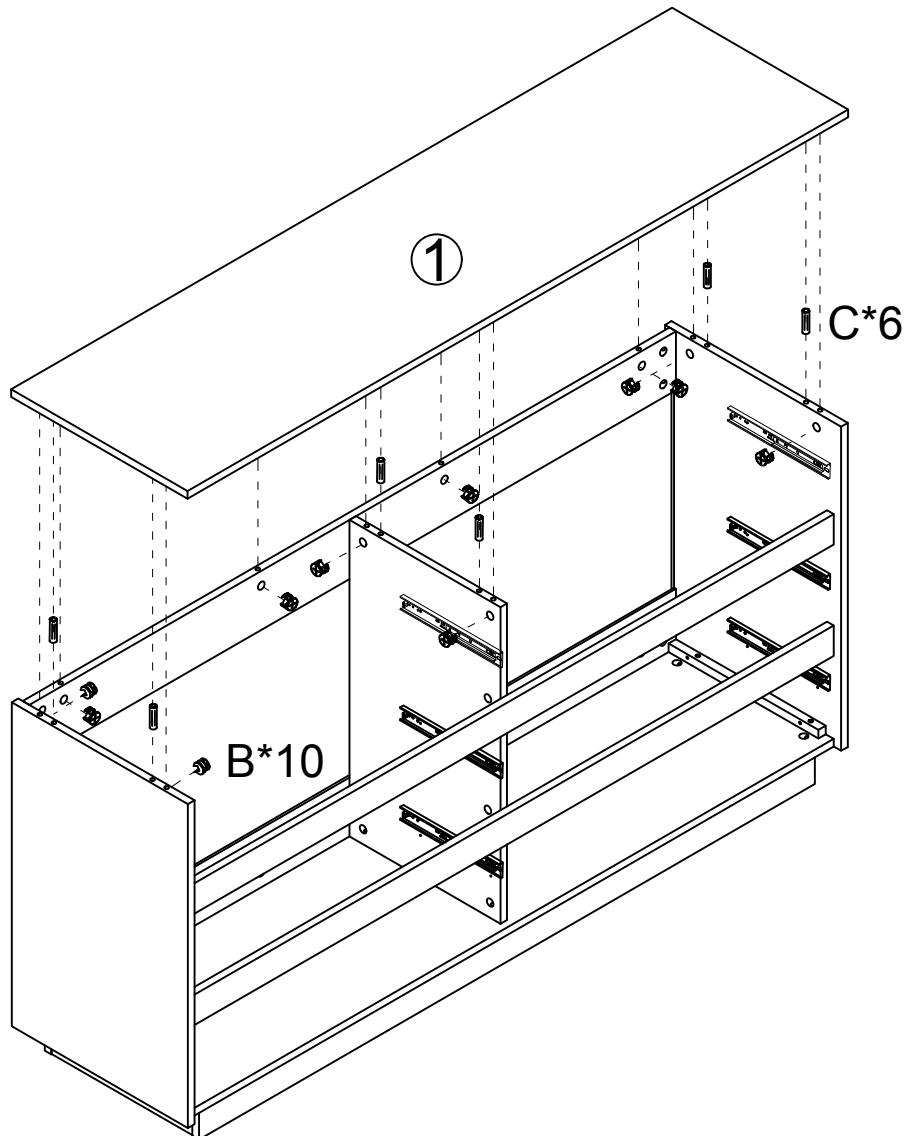
STEP 12





L	12
	
M3.5*25mm	

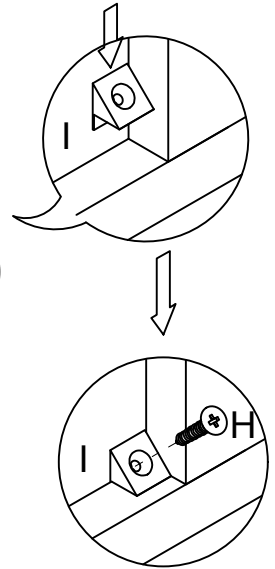
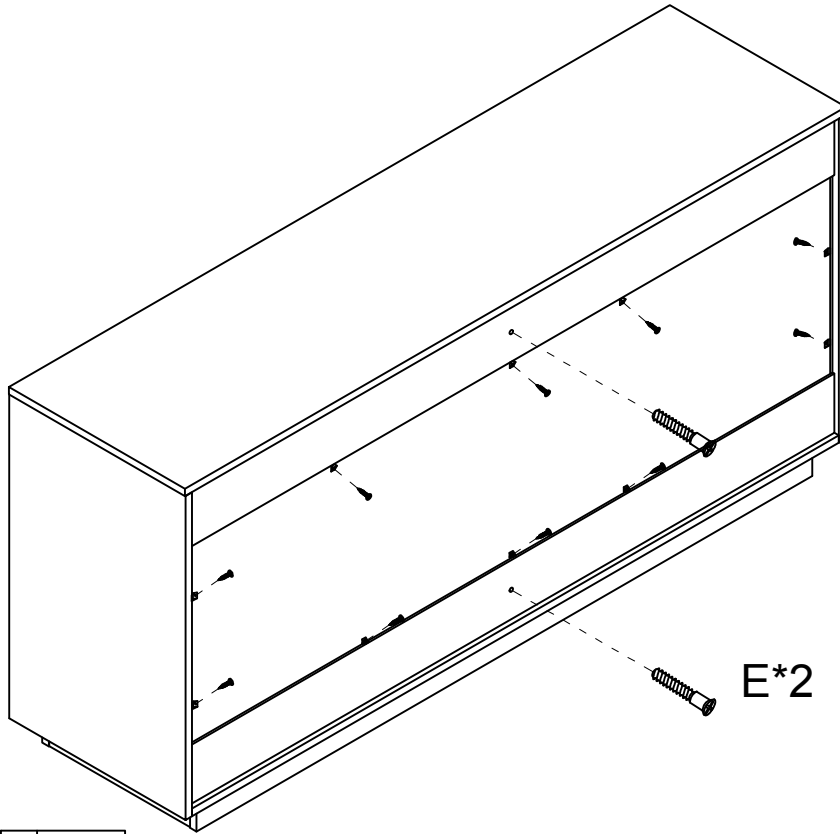


STEP 13



B	10PCS	C	6PCS
			
Ø15*11.5mm		Ø8*40mm	

STEP 14



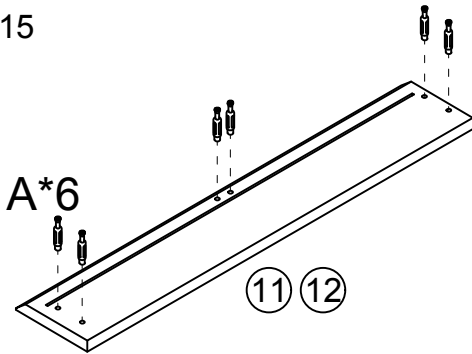
H*10
I*10

E*2

E 2PCS	H 10PCS	I 10PCS
Ø6*38mm	M3.5*16mm	

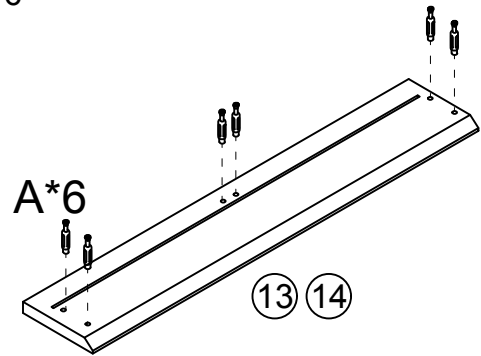


STEP 15



A 12PCS
Ø6*35mm

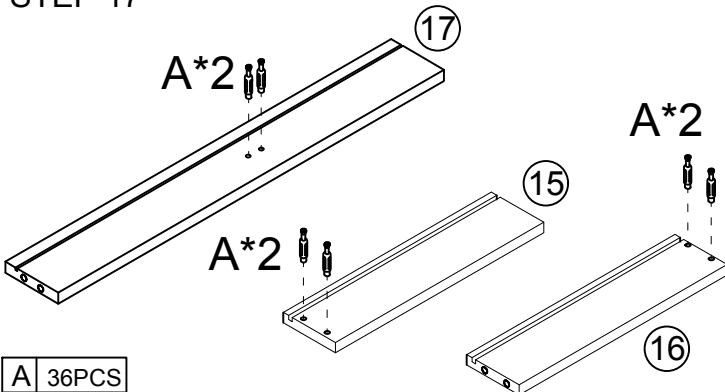
STEP 16



A 24PCS
Ø6*35mm

X2

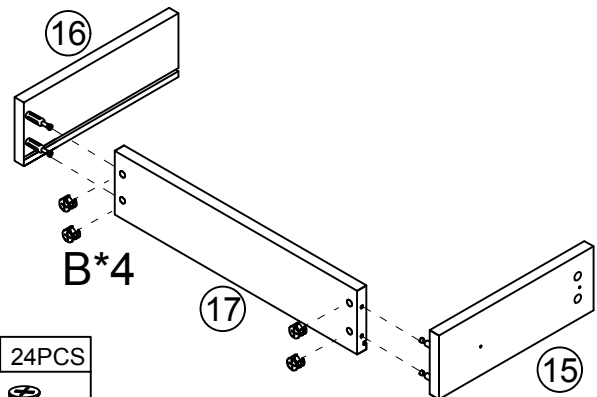
STEP 17



A 36PCS
Ø6*35mm

X6

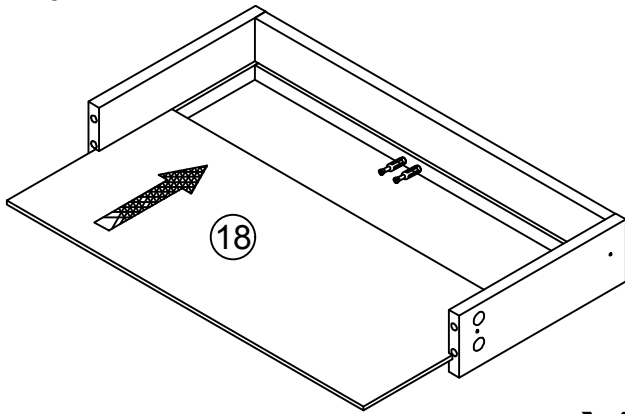
STEP 18



B 24PCS
Ø 15*11.5mm

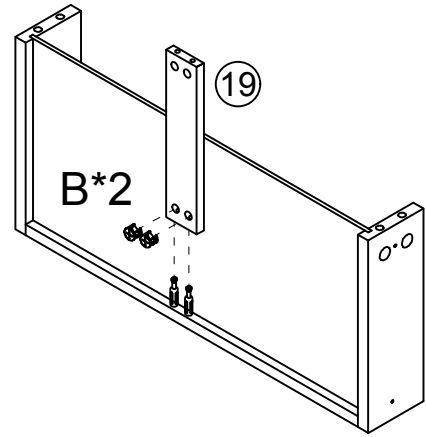
X6

STEP 19



X6

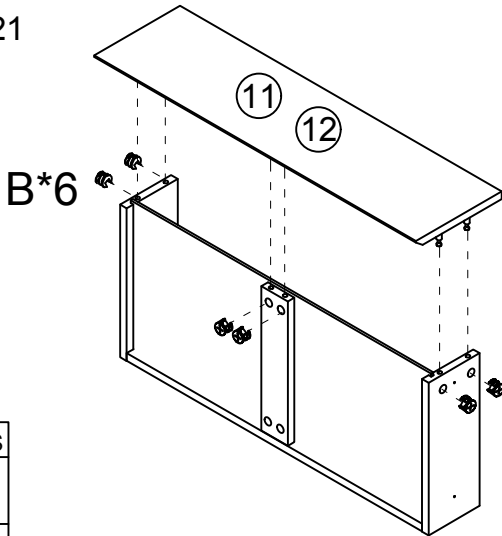
STEP 20



X6

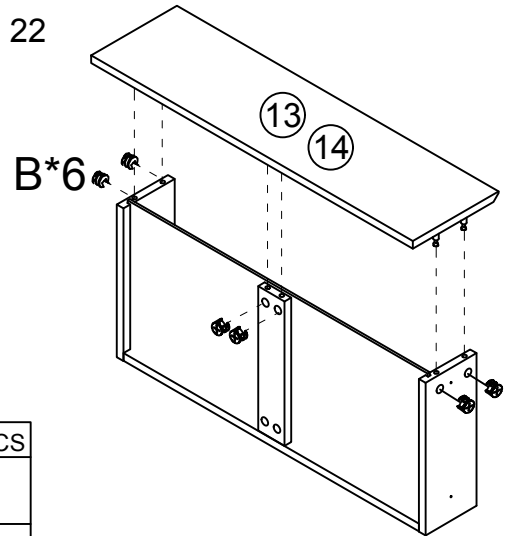
B	12PCS
Ø 15*11.5mm	

STEP 21



B	12PCS
Ø 15*11.5mm	

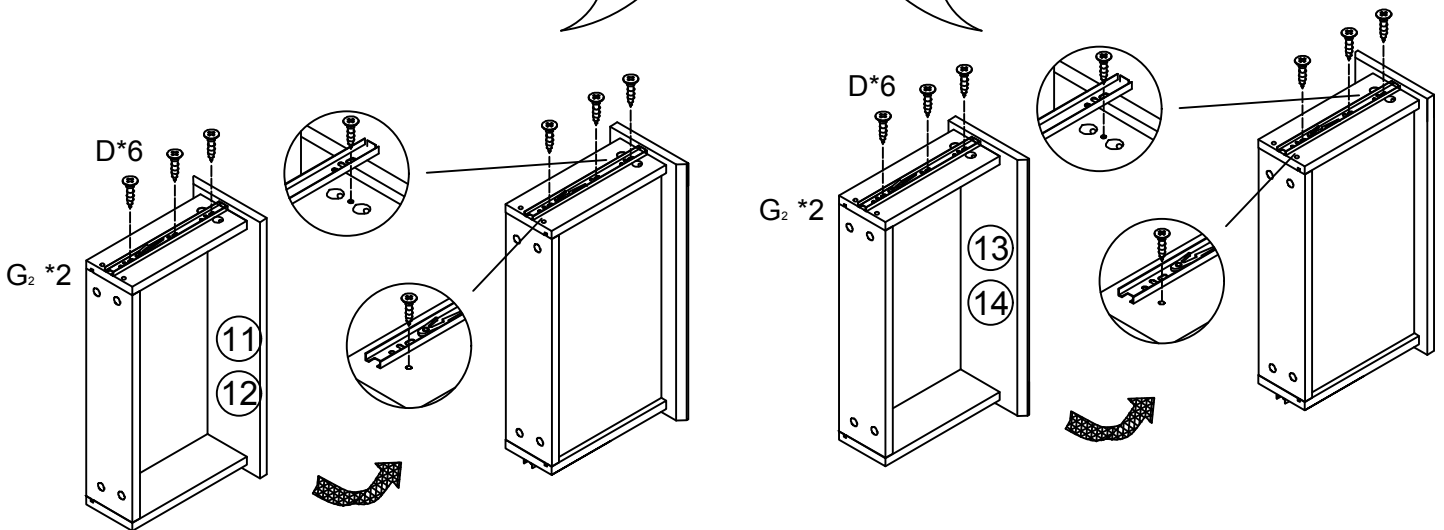
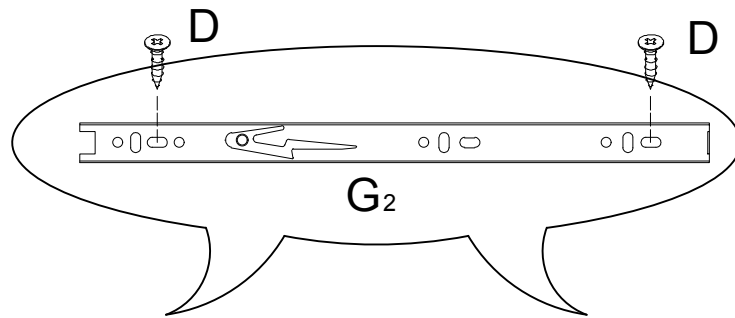
STEP 22



X2

B	24PCS
Ø 15*11.5mm	

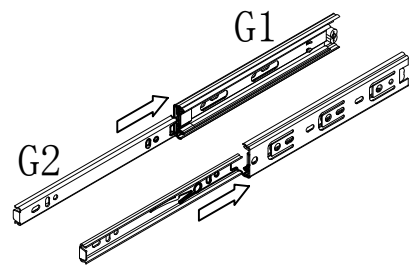
STEP 23



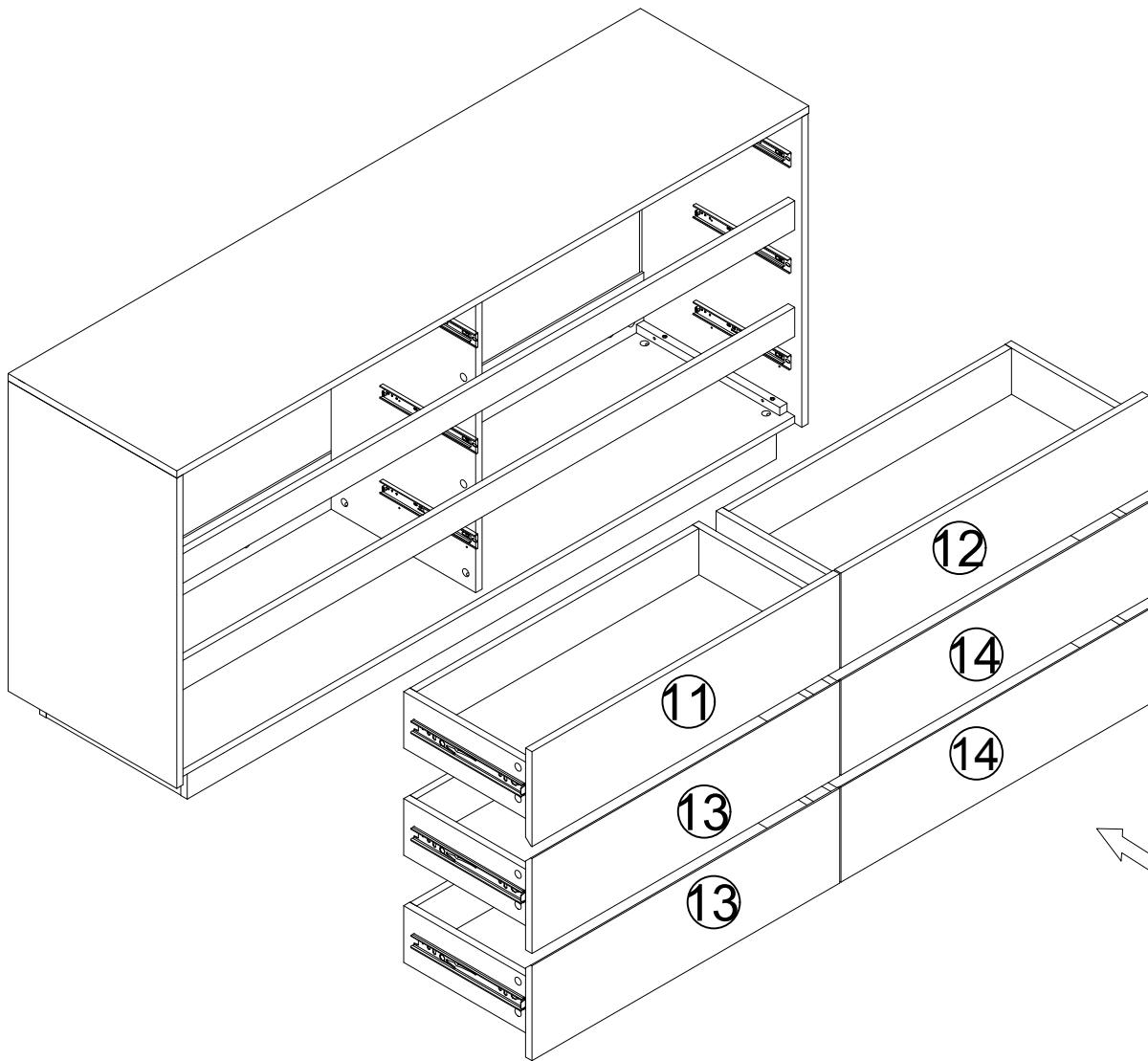
D	36PCS	G ₂	12PCS
M3.5*12mm		12"	



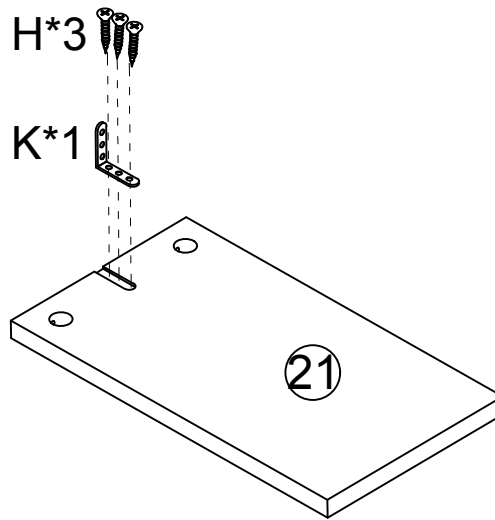
STEP 24





Note: align G1 with G2
and push it in



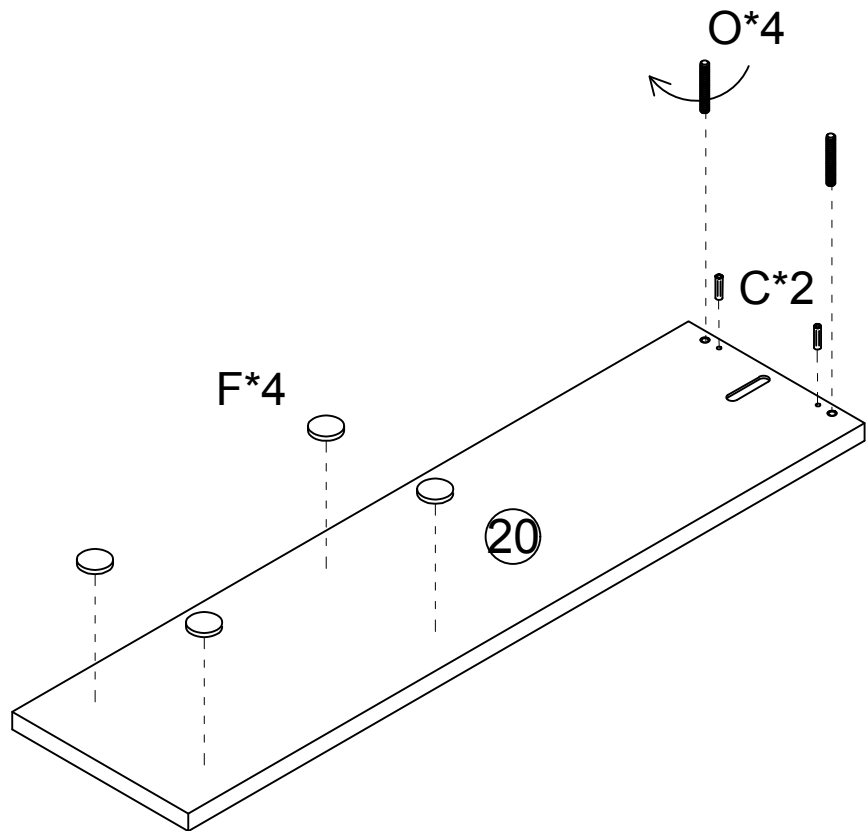
STEP 25






K	1PCS	H	3PCS
			
		M3.5*16mm	

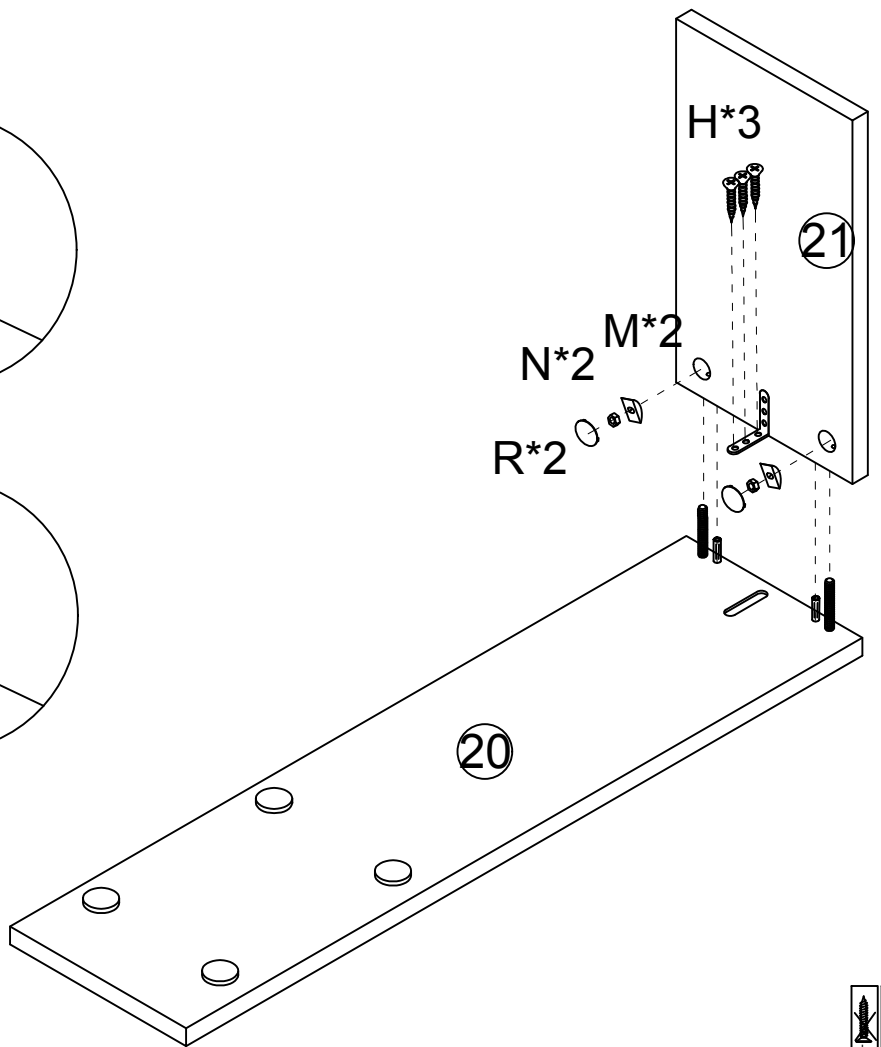
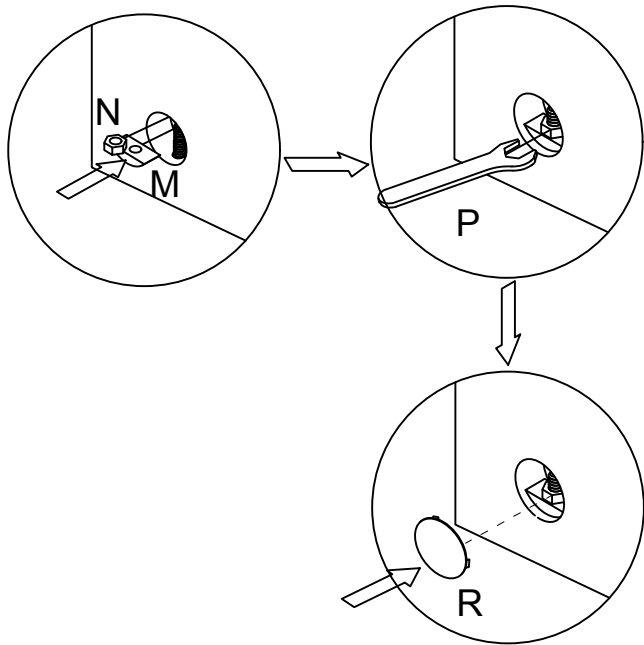


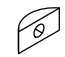



STEP 26



C	2	F	4	O	2
					
Ø8*40mm		Ø40*3mm		M8*75mm	

STEP 27



M 2	N 2	R 2	H 3PCS
			
M8	M8		M3.5*16mm



STEP 28

