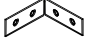




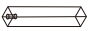






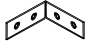




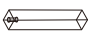




## Hardware

## Tools Required

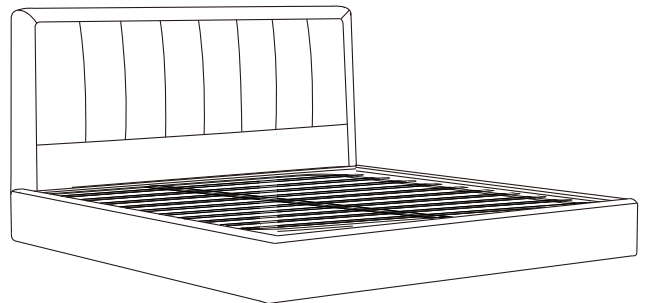
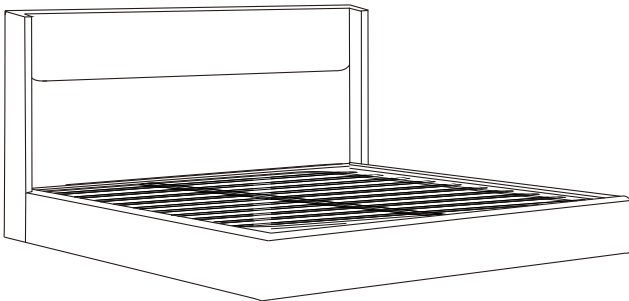
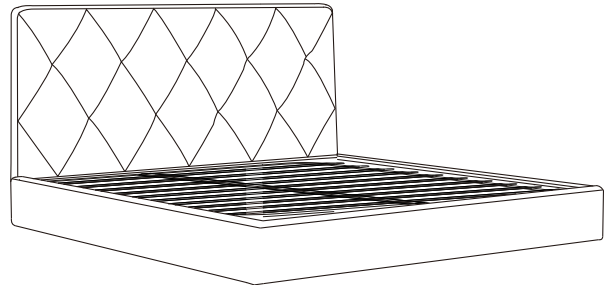
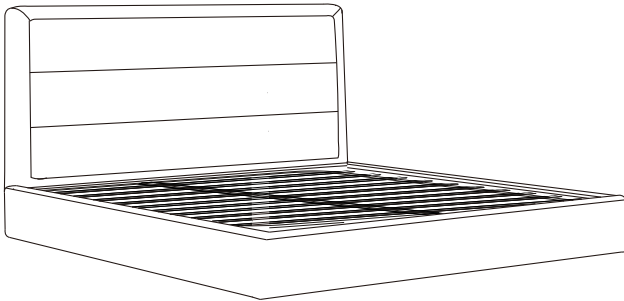
Power tools NOT recommended

NO.	Quantity	K Accessory
A	4	
B	4	
C	32	
F	12	
G	1	
H	3	
I	6	
L	6	
M	4	
X	1	

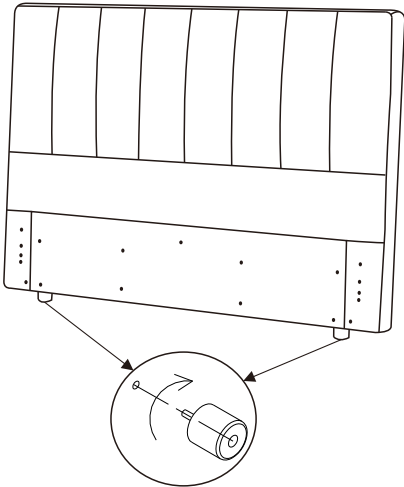
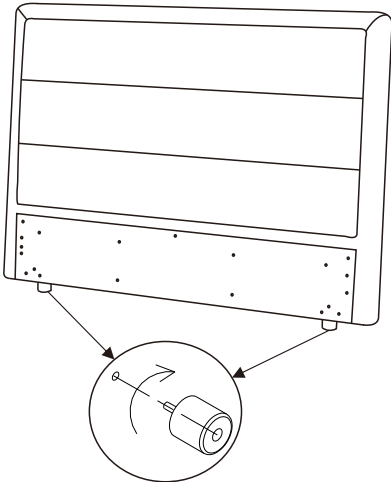
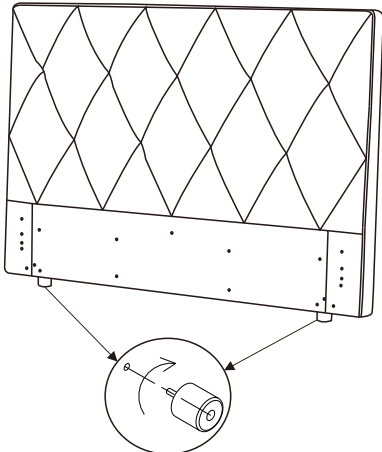
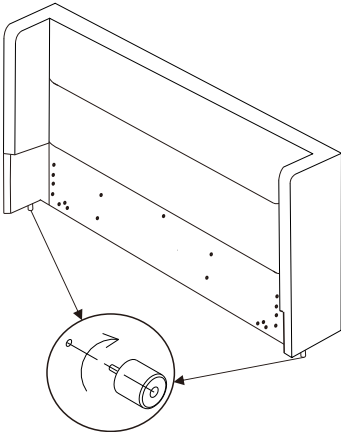
King Bed

NO.	Quantity	K Accessory
A	4	
B	4	
C	32	
F	12	
G	1	
H	3	
I	6	
L	6	
M	4	
X	1	

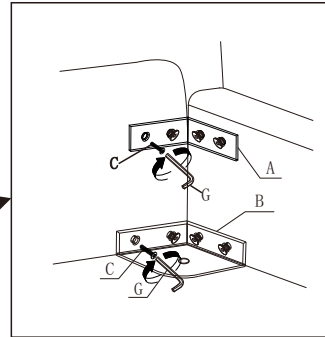
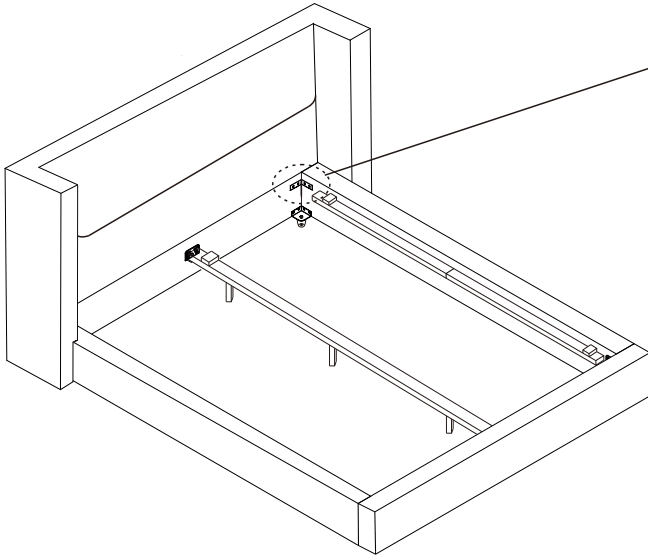
Queen Bed



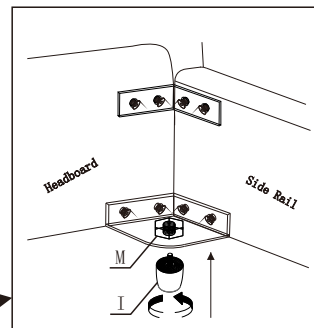
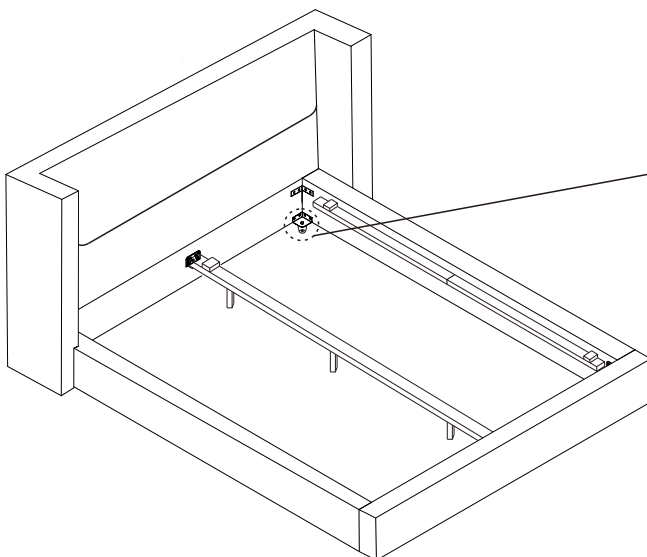
1 Install plastic foot G to headboard, siderails



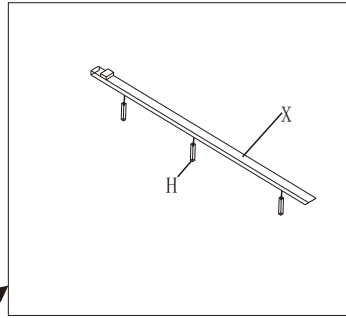
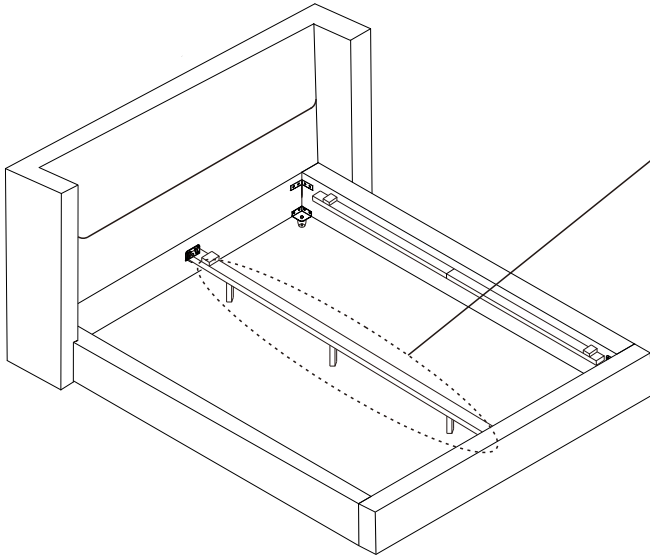
- 2 Install Metal support A with screw D to fix headboard, siderails and footboard.



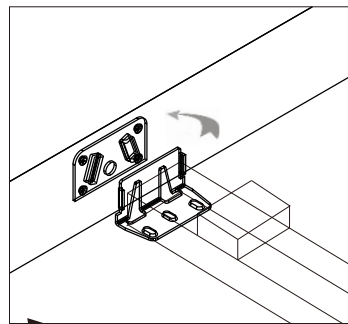
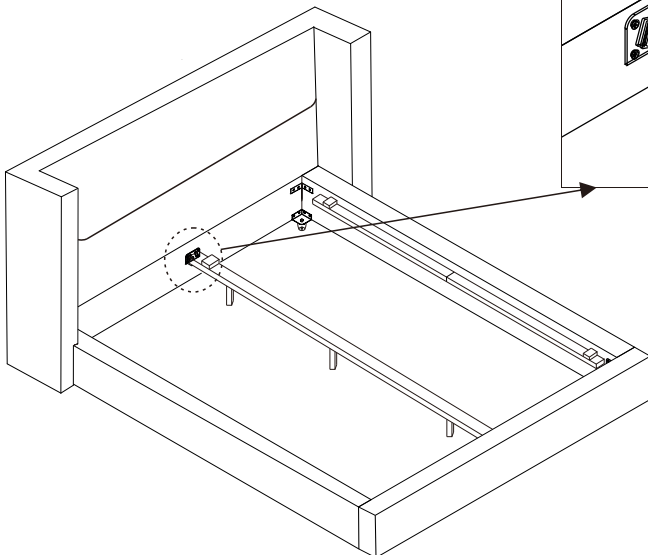
- 3 Install Metal support B with screw D to fix headboard, siderails and footboard.



- ④ Fix metal support C with screw E and stick Gasket E.



- ⑤ Install H legon slat and put the slat on the bed.



6

