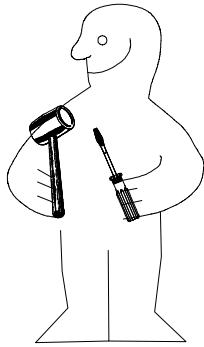
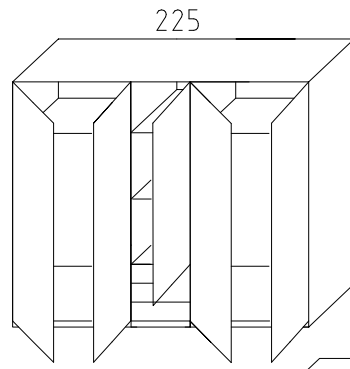


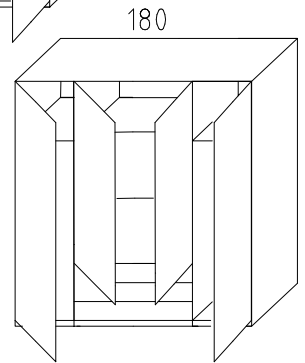
980562



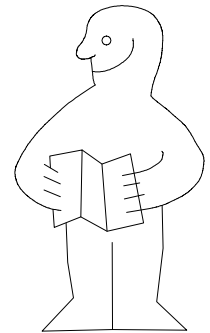
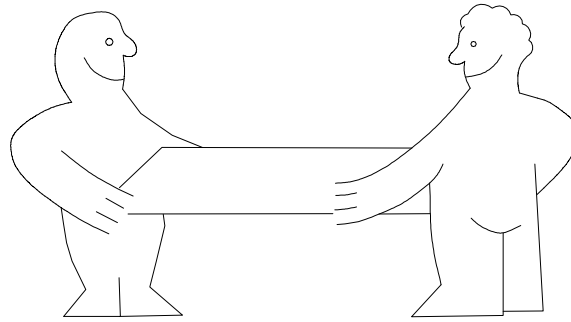
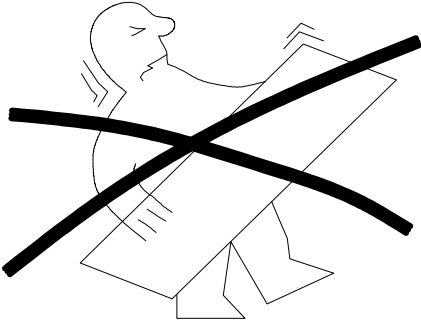
A



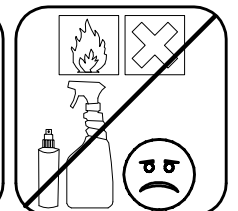
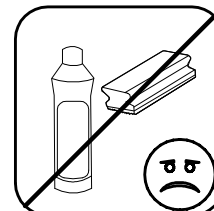
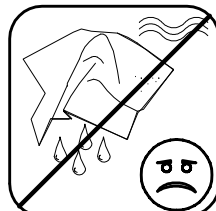
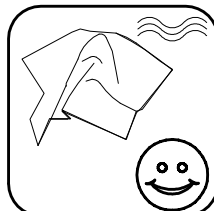
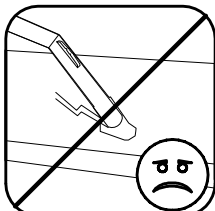
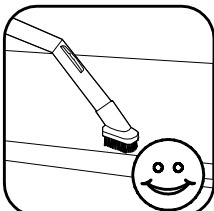
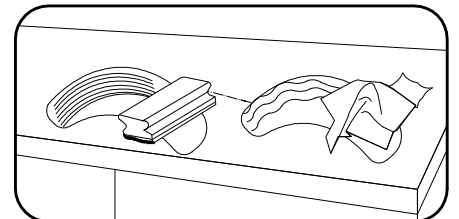
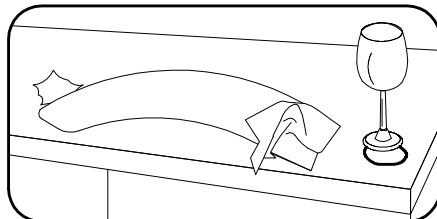
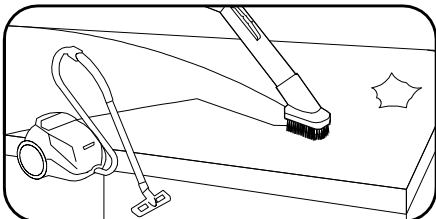
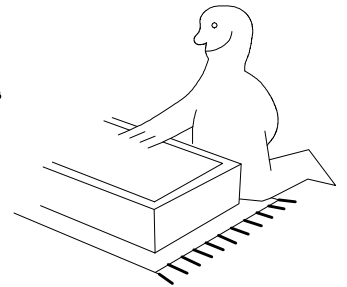
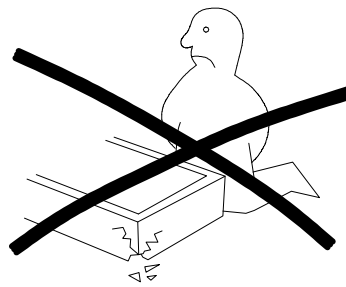
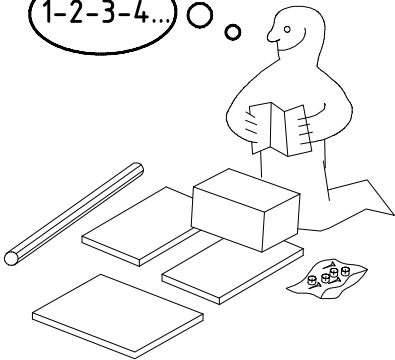
B



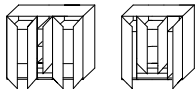
NSP



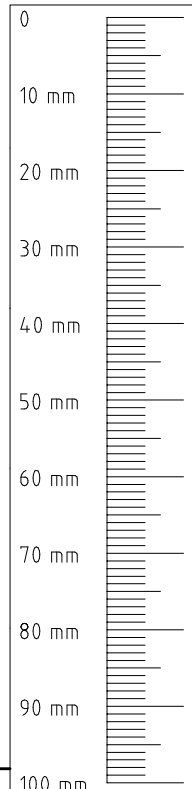
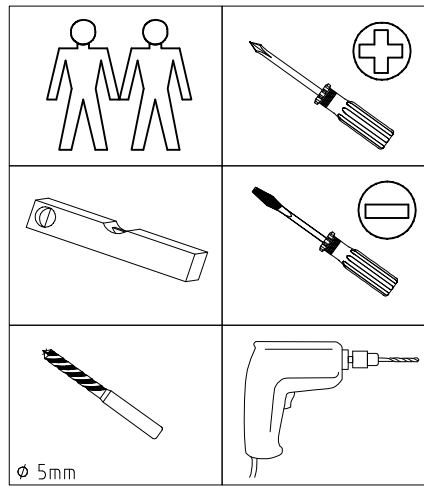
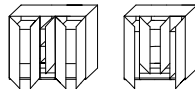
1-2-3-4... ○

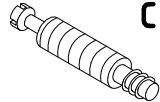
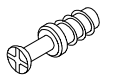
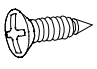
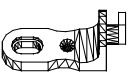



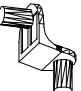
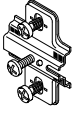
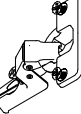
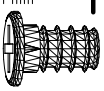
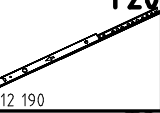

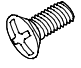





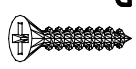
A **B**

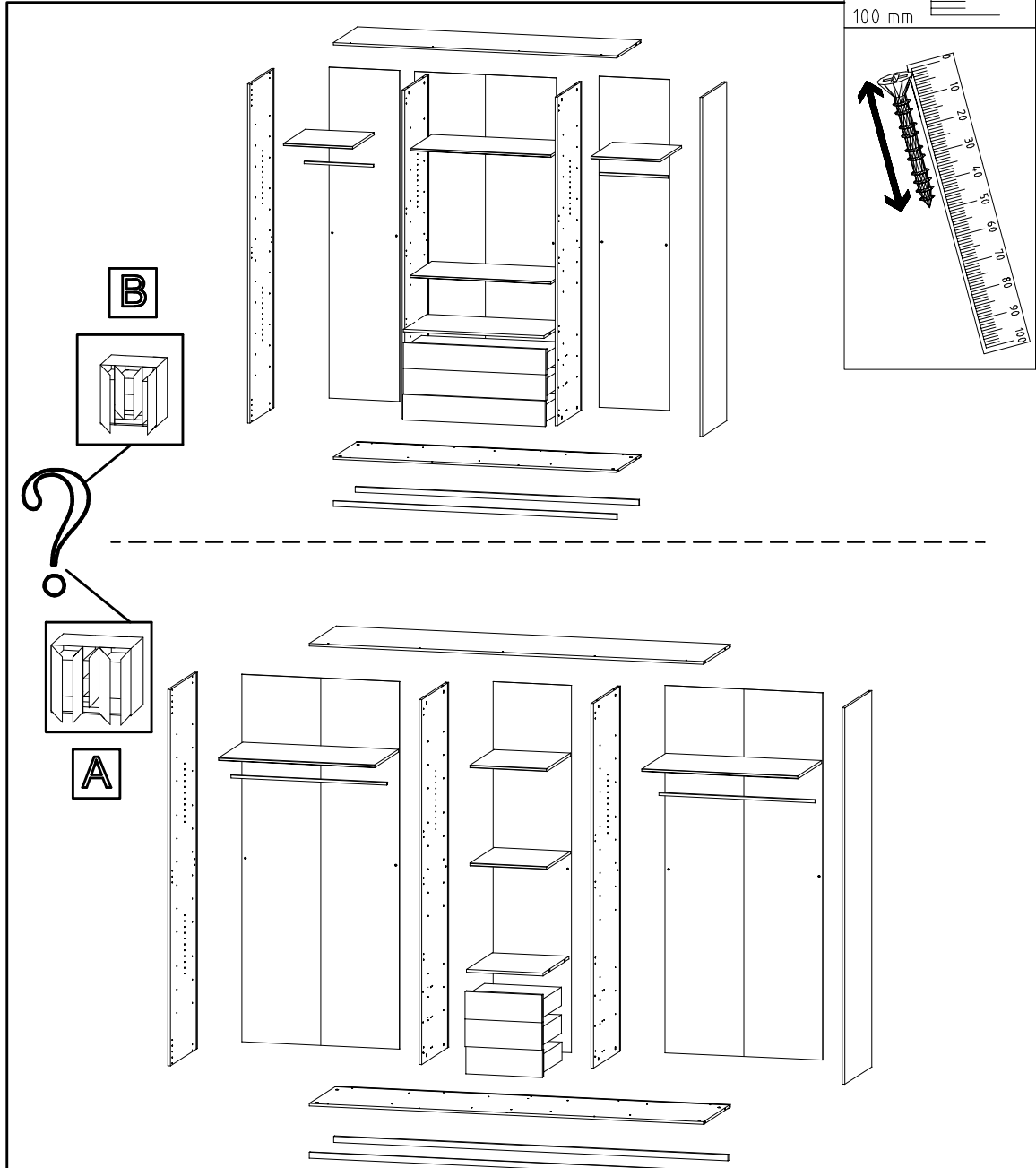


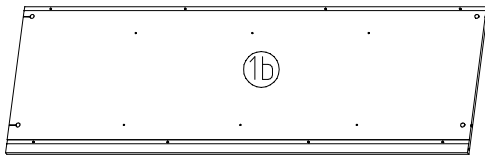
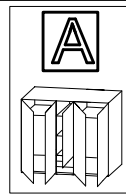
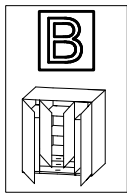
A **B**



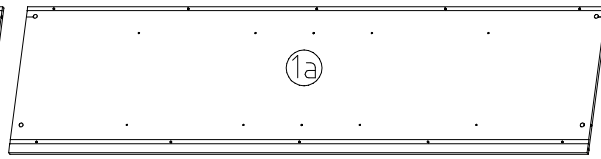
 111 103	C 16x 16x	16x 16x
 111 229 3,5 x 15 mm	F 4x 4x	4x 4x
 121 370	G1 10x 10x	10x 10x
 111 174	J1 6x 6x	6x 6x
 117 001	K1 4x 4x	4x 4x
 112 402 870mm	K20 2x	2x
 112 403 424mm	K21 2x	2x
 111 610	L7 16x 16x	16x 16x
 112 268	M 15x 12x	15x 12x
 112 267 M6 x 11 mm	N 15x 12x	15x 12x
 121 181	T6 6x 6x	6x 6x
 112 190 M6 x 10	Y20 6x 6x	6x 6x
 112 616 M4 x 9 mm	T3 12x 12x	12x 12x
 111 015	G8 6x 6x	6x 6x

 111 252	VB23 4x 4x	4x 4x
 163 007	Z 1x 3x	1x 3x
 111 102 3,5 x 35 mm	A 16x 16x	16x 16x
 121 375	G14 10x 8x	10x 8x





1761x560x15



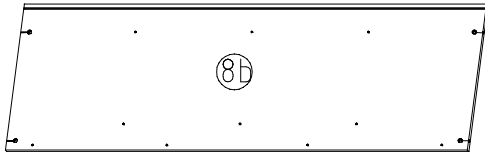
2205x560x15

②

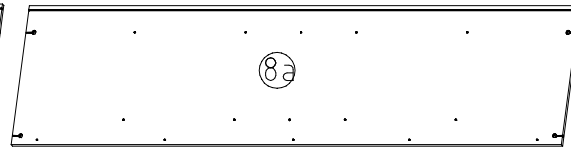
1760 / 2204 x 33 x 15

③

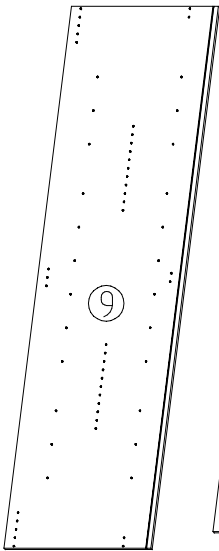
1760 / 2204 x 33 x 15



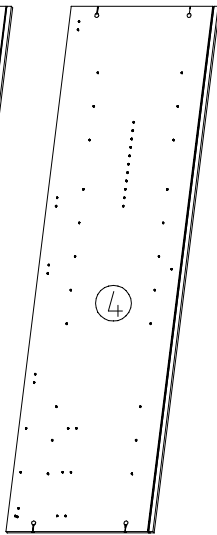
1761x560x15



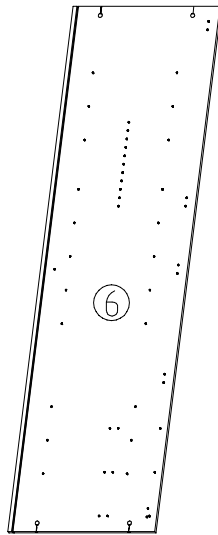
2205x560x15



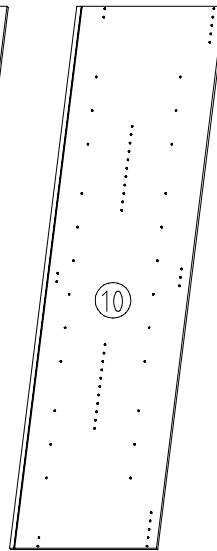
2064x560x15



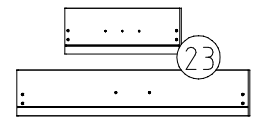
2001x560x15



2001x560x15



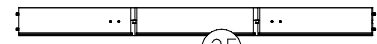
2064x560x15



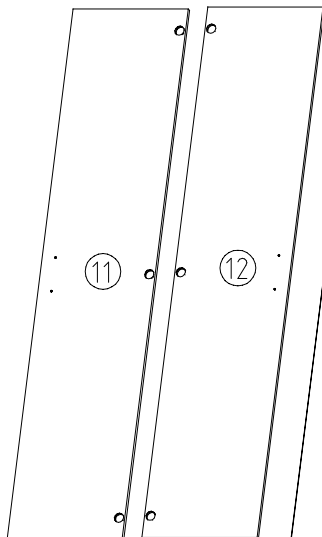
439 / 883 x 164mm



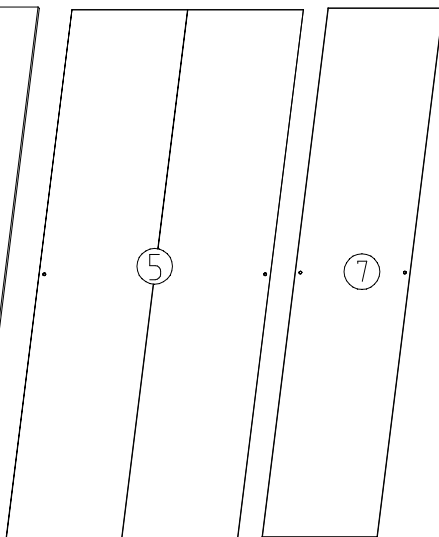
408/852 x 439 x 2,5



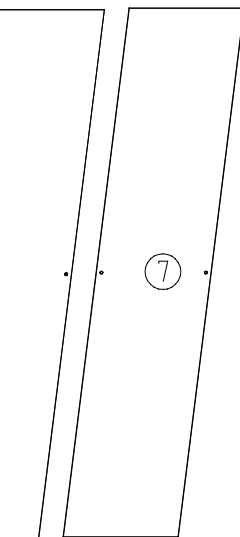
439x866 / 422 x 439



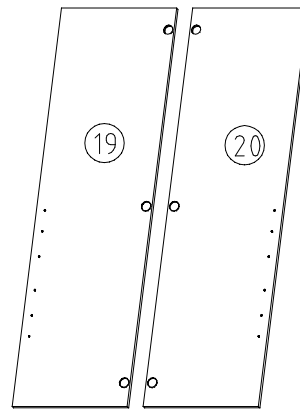
2021x439x15



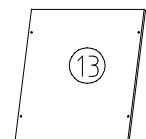
2015x882x2,5



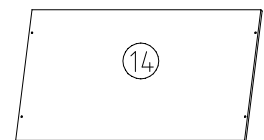
2015x438x2,5



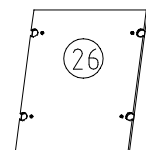
1518 x 439 x 15



429x500x15

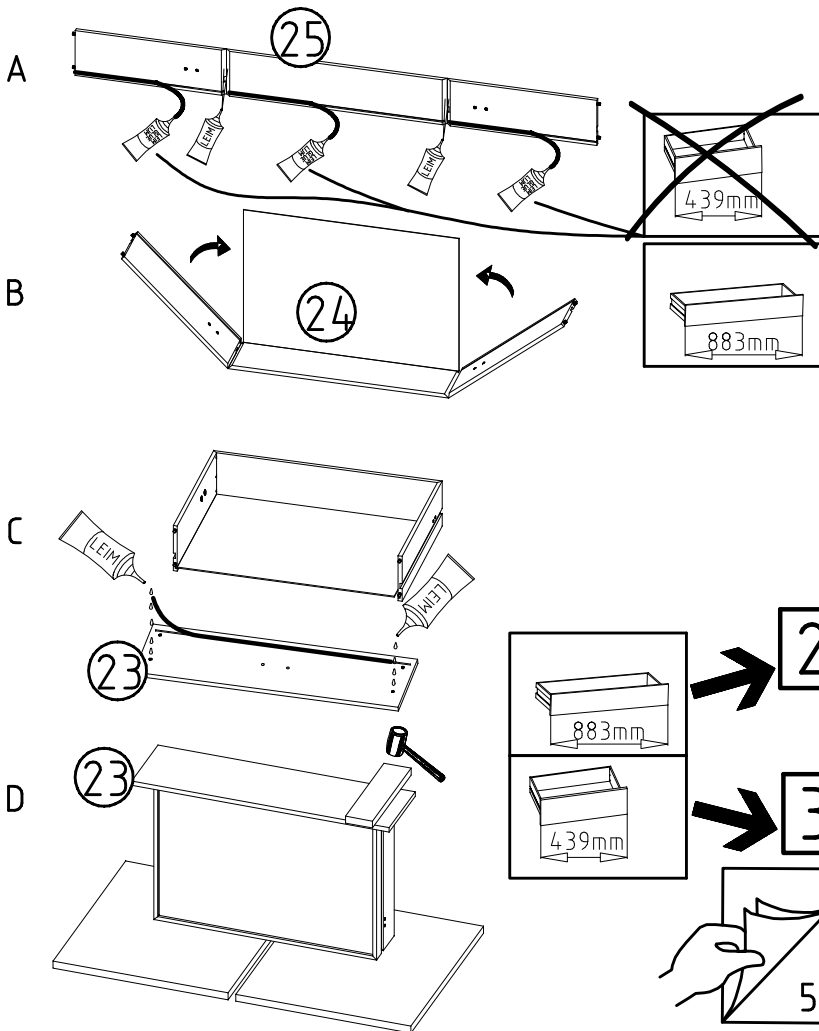
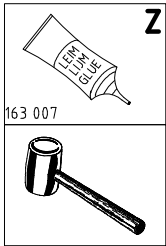
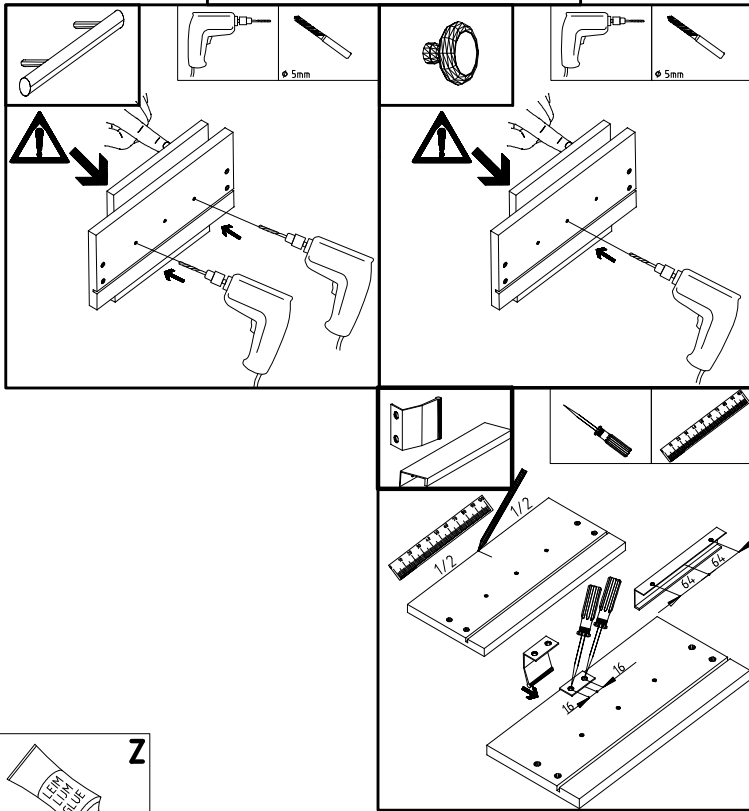
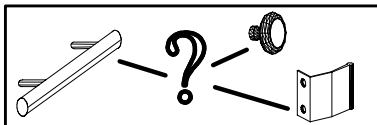


873x500x15

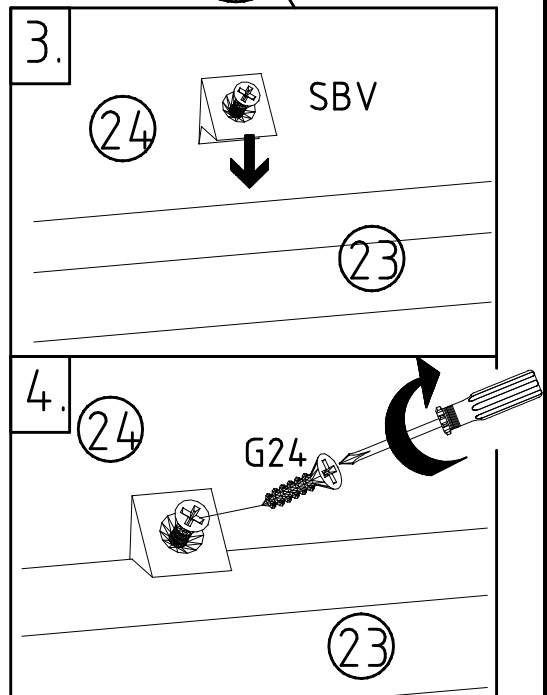
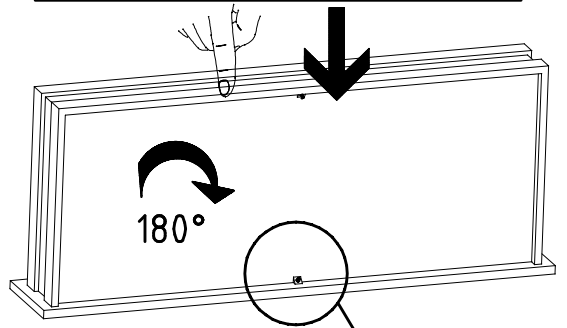
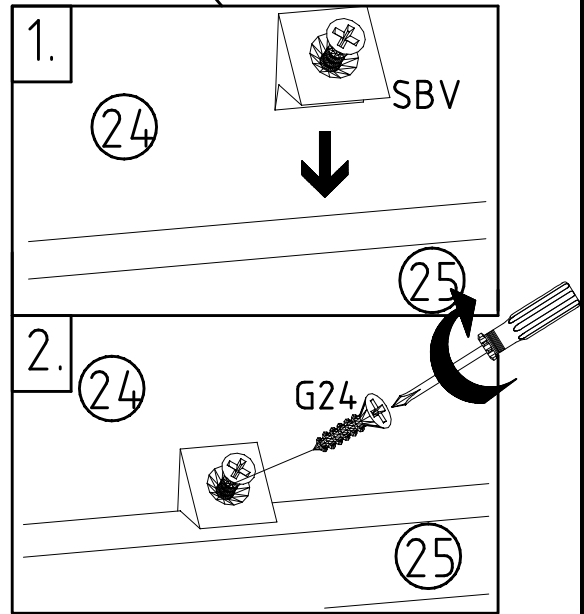
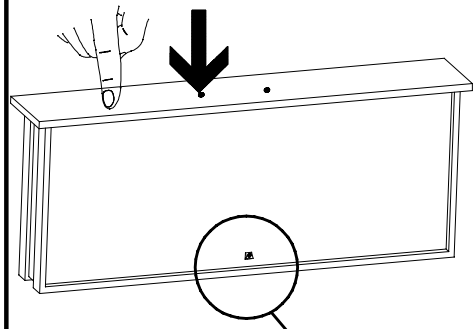
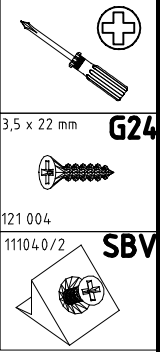
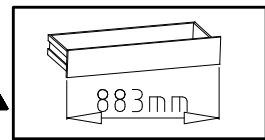


429/873x540x18

1

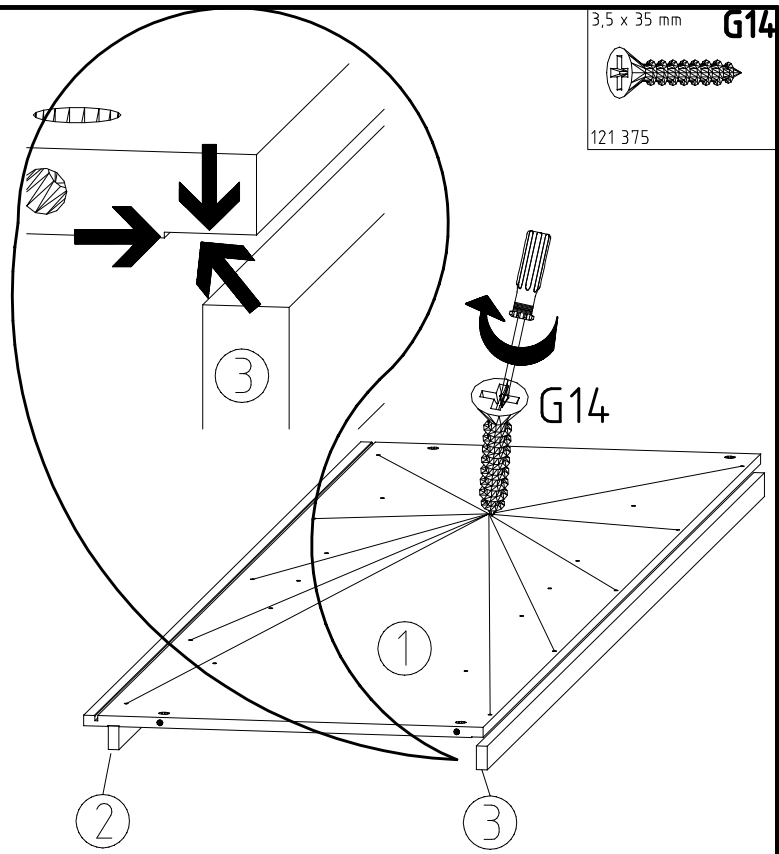
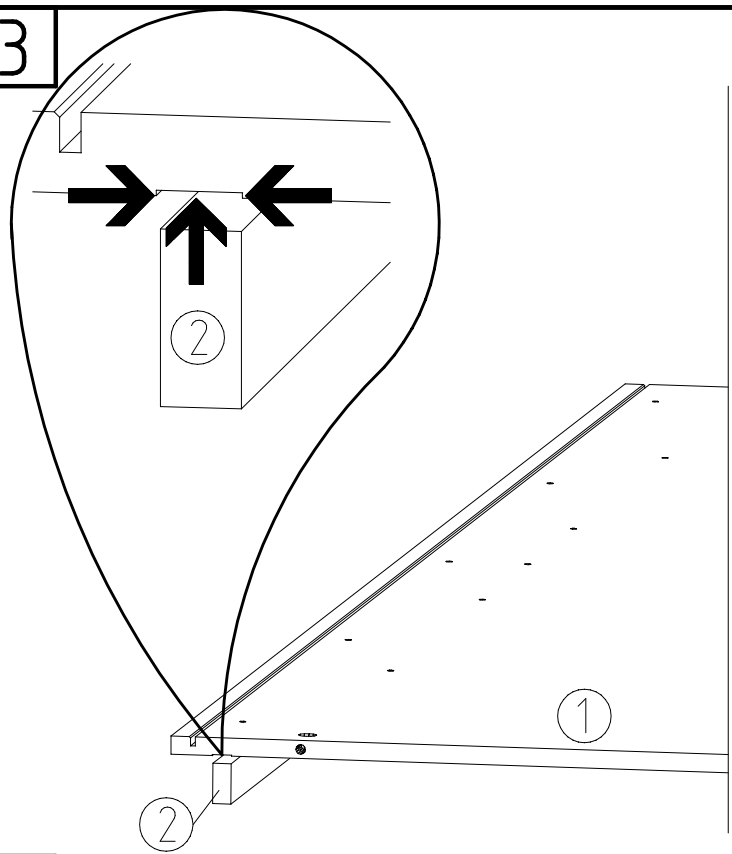


2

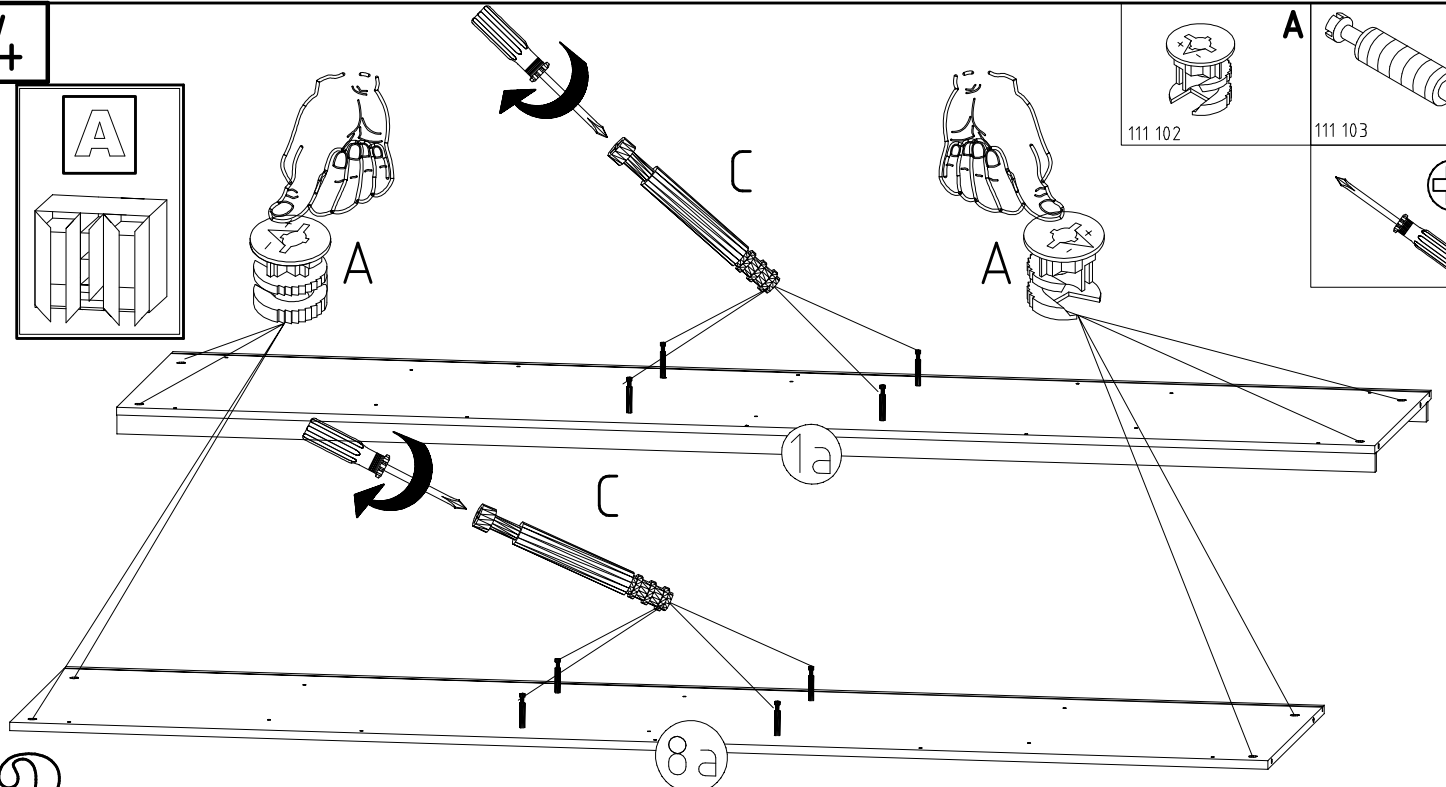
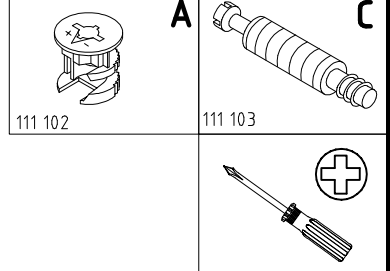
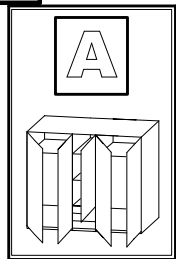


3

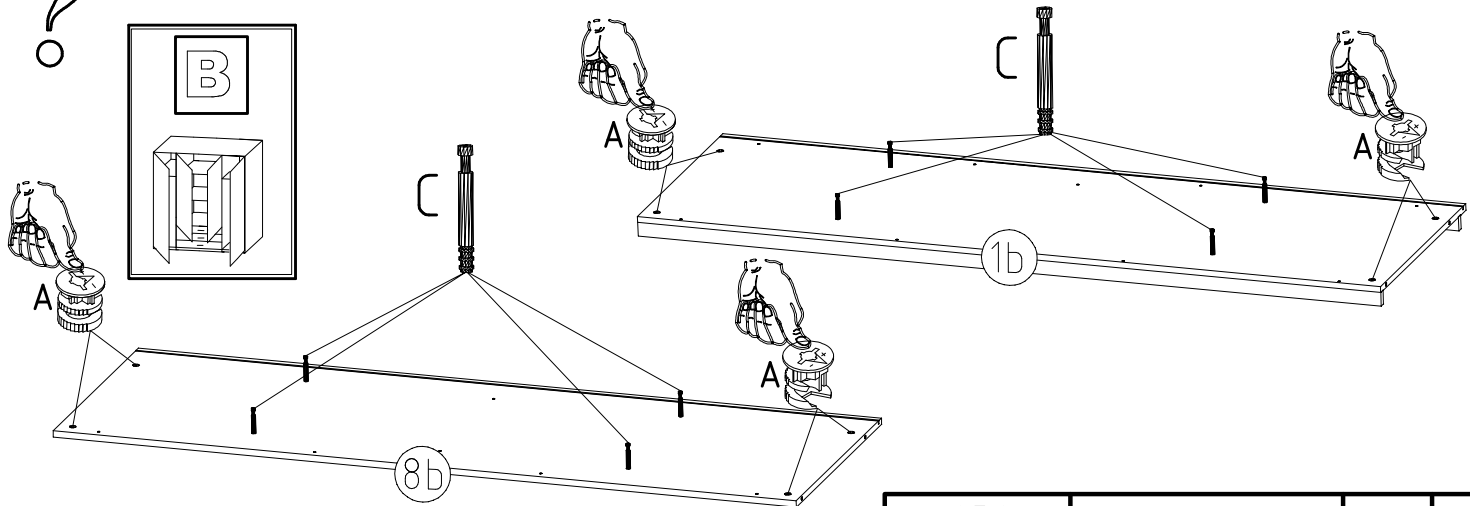
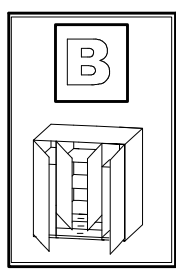
3,5 x 35 mm G14
121 375

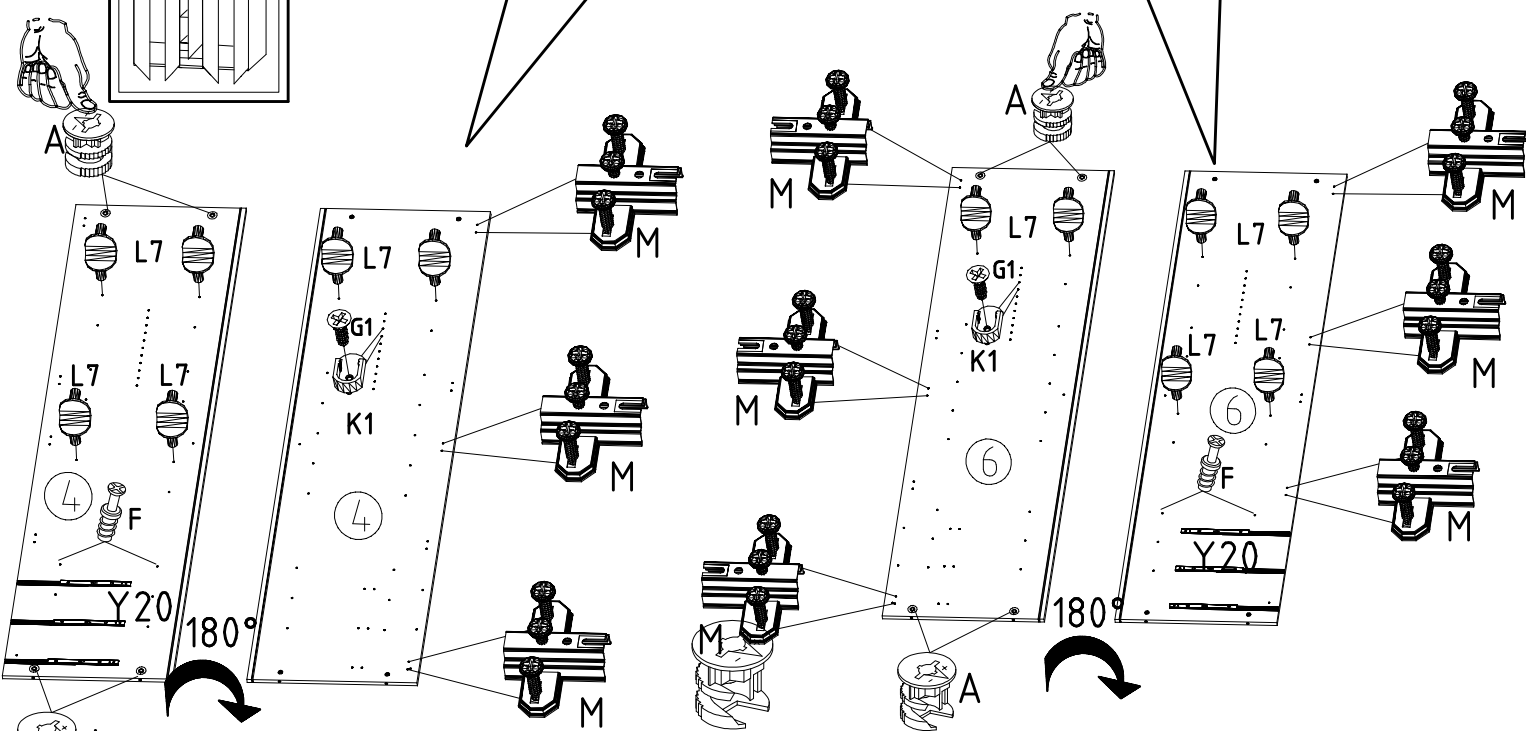
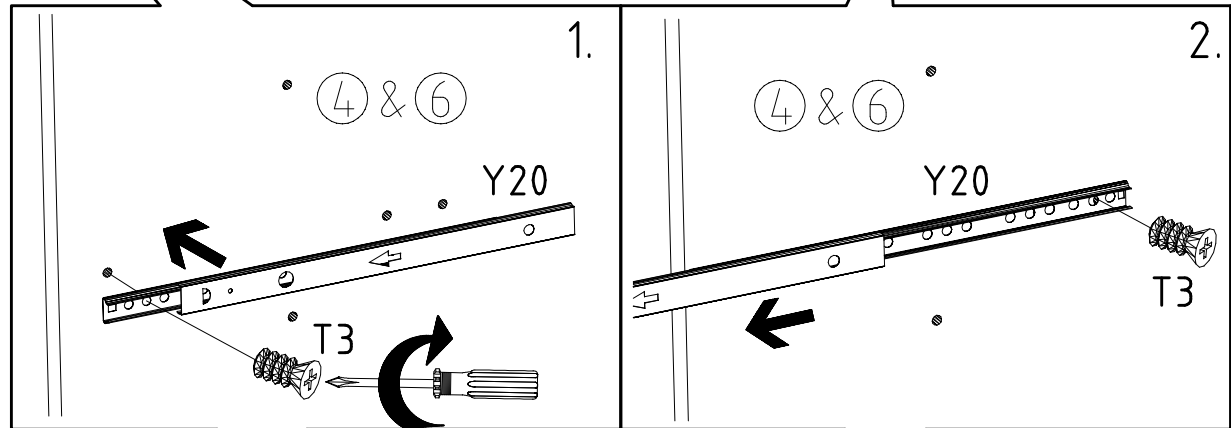
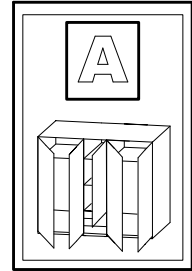
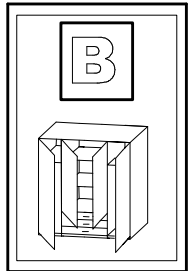
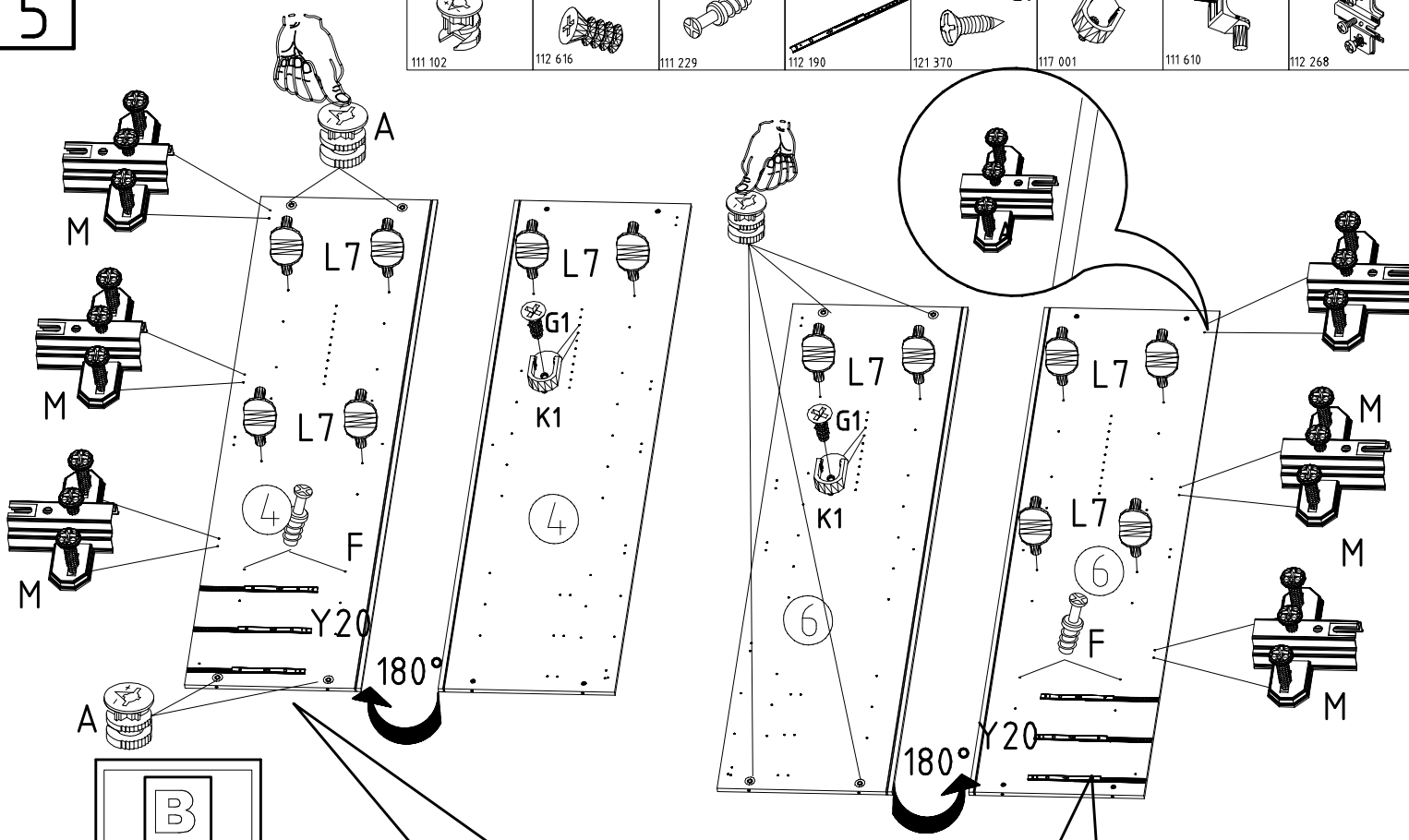
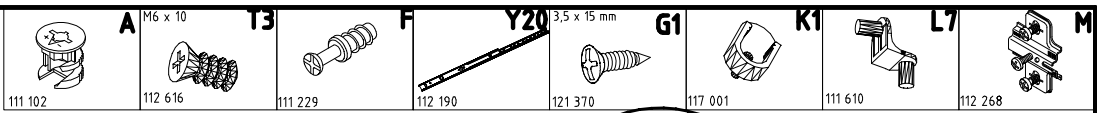


4

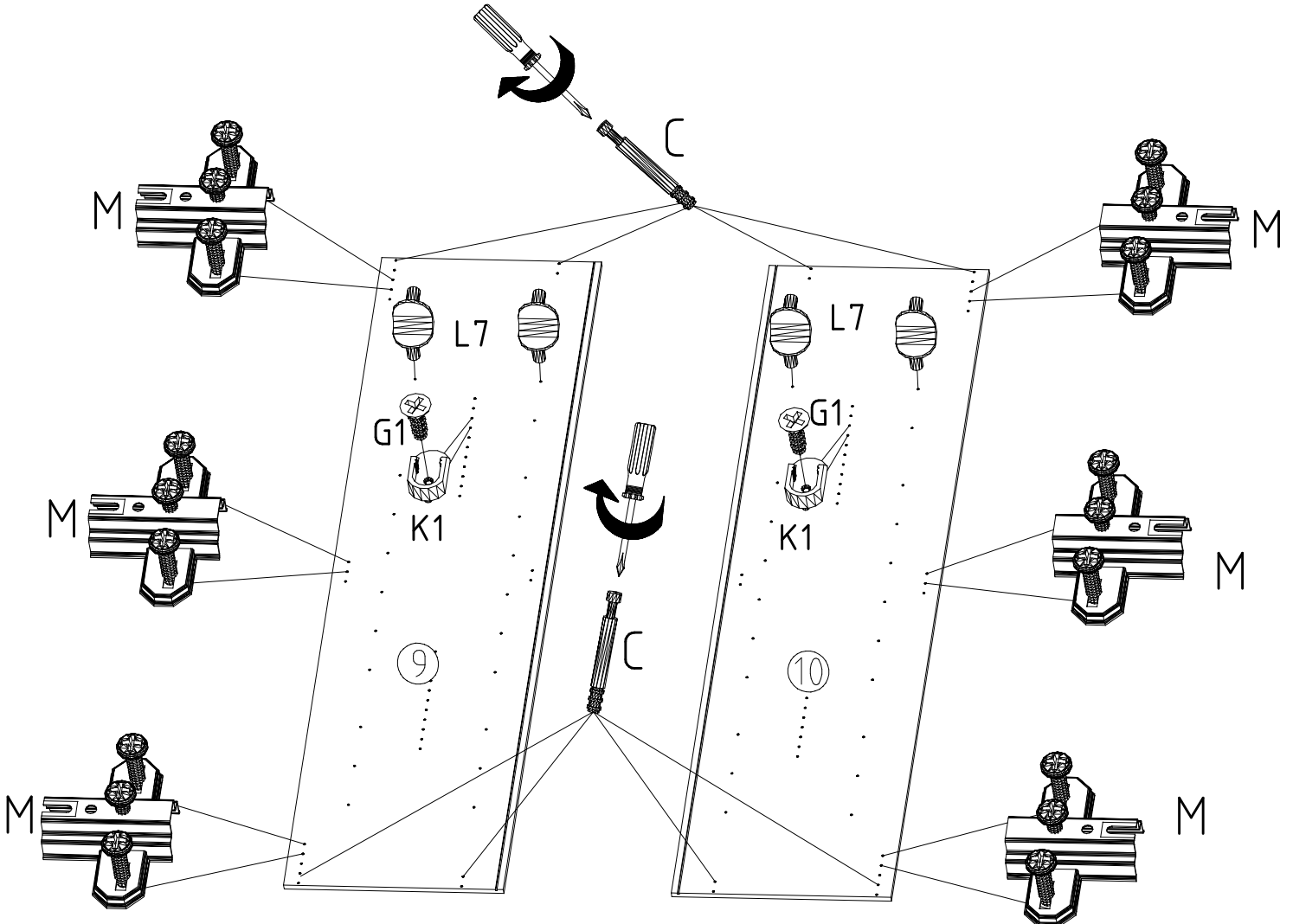
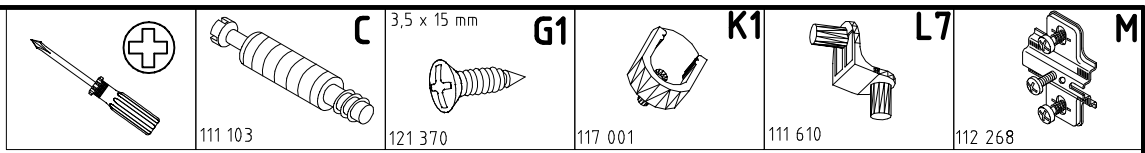


?

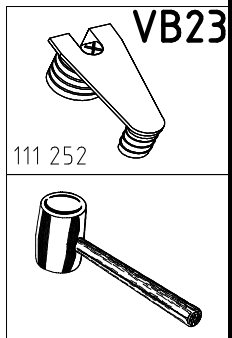
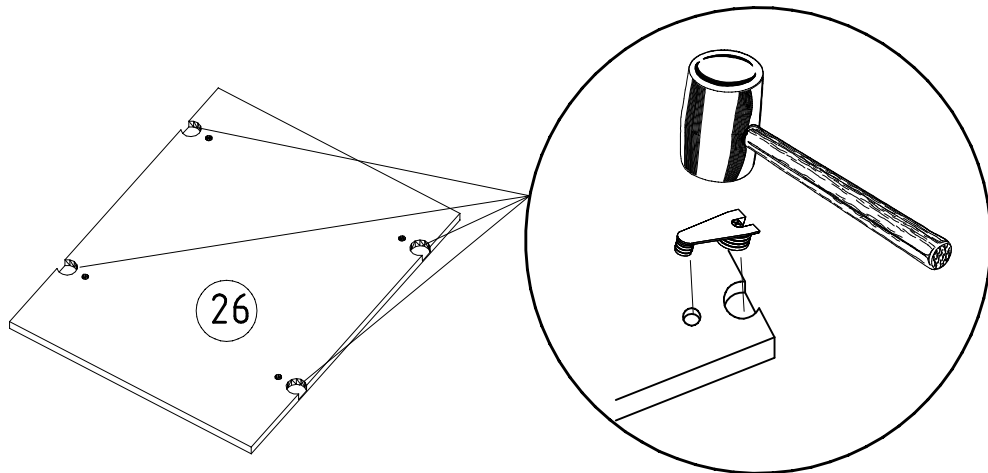




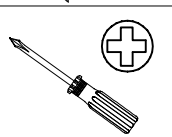
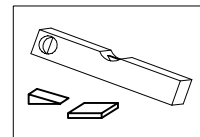
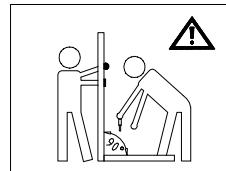
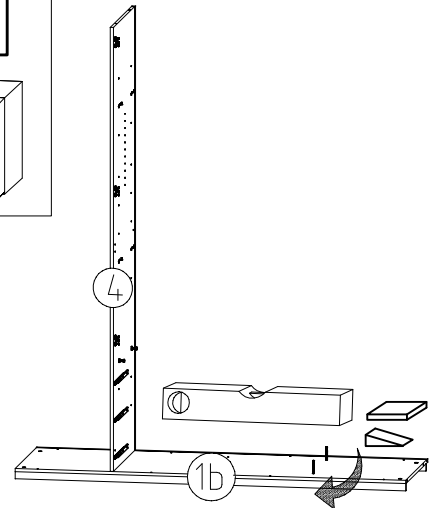
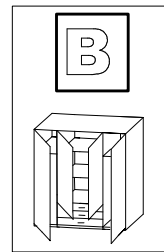
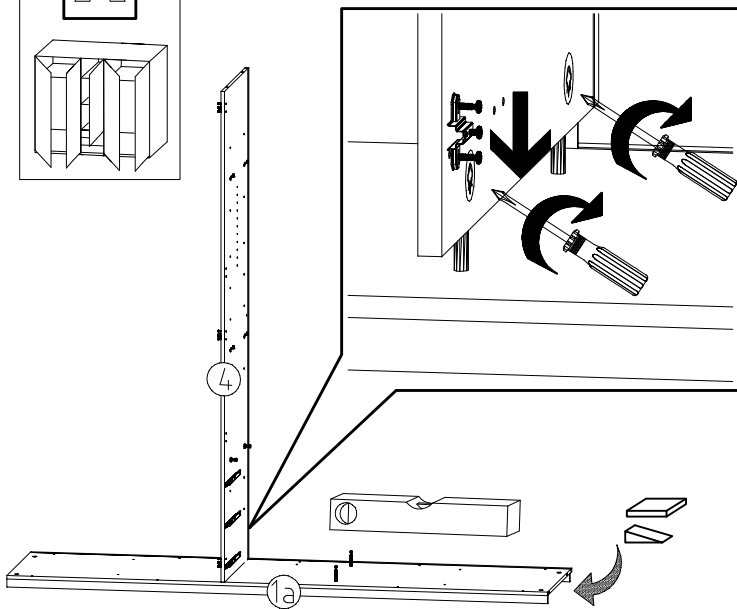
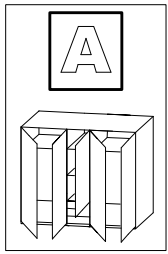
6



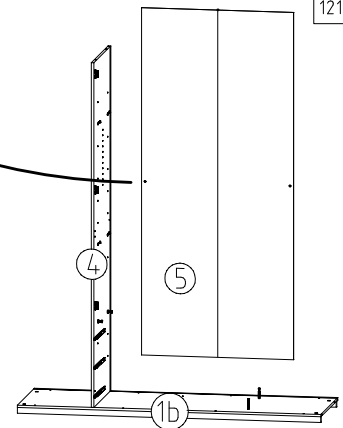
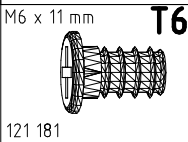
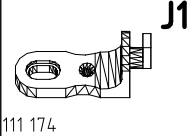
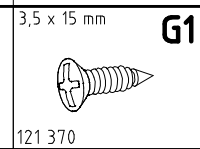
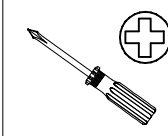
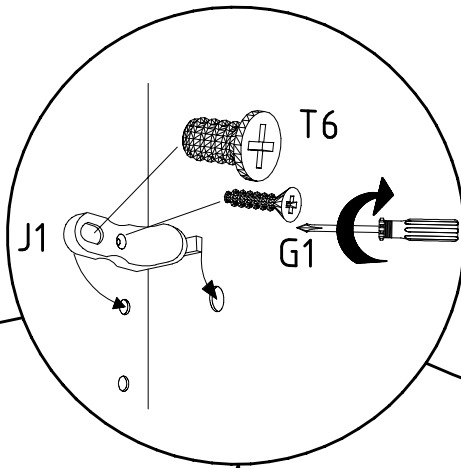
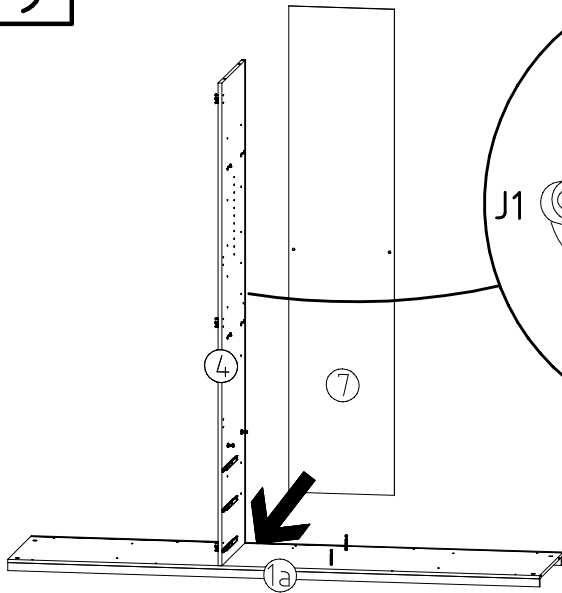
7



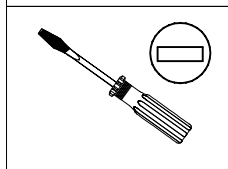
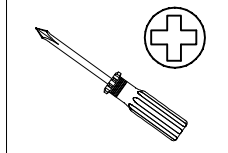
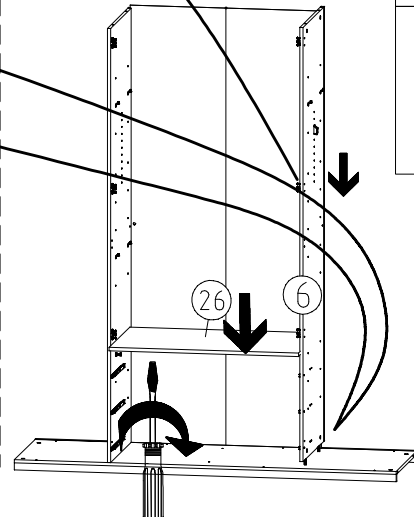
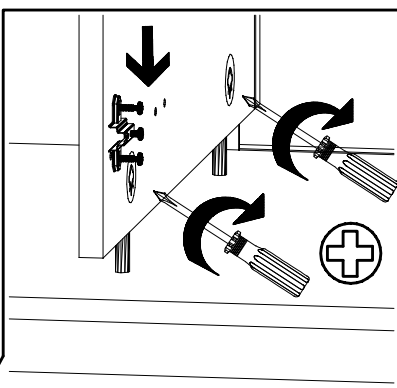
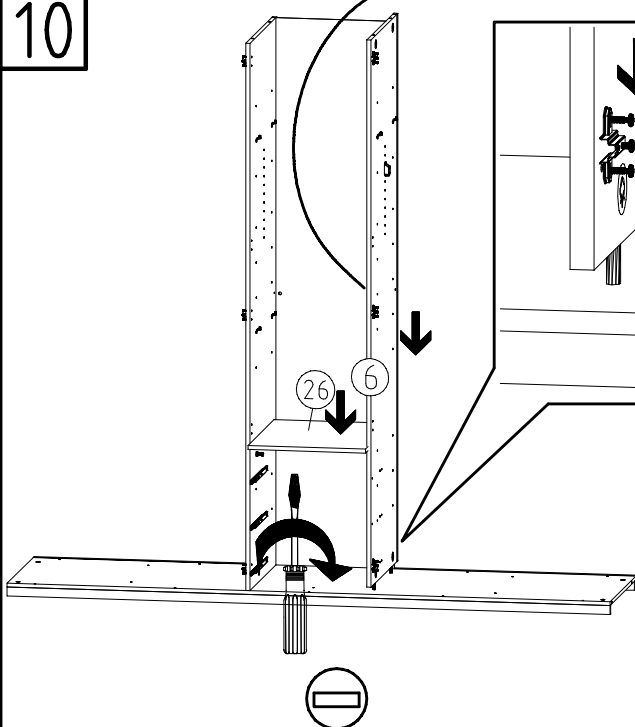
8



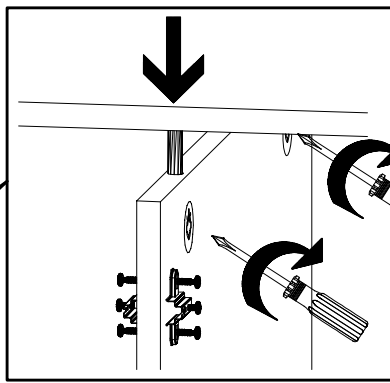
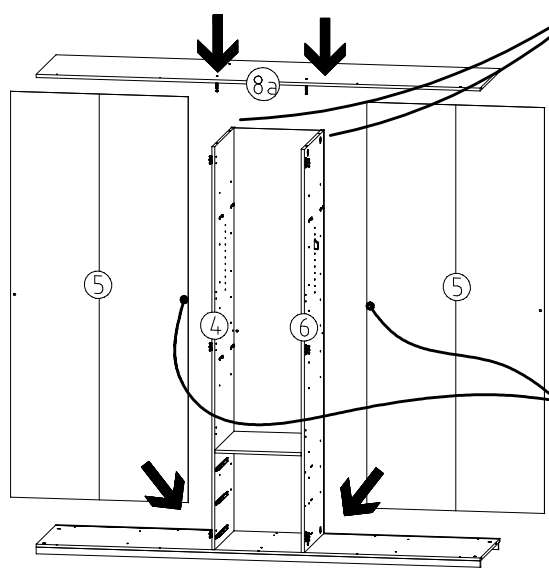
9

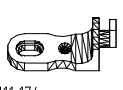
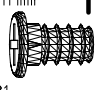
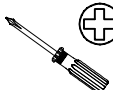

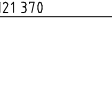


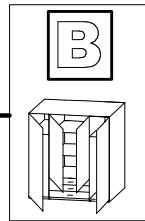
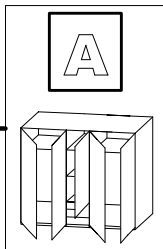
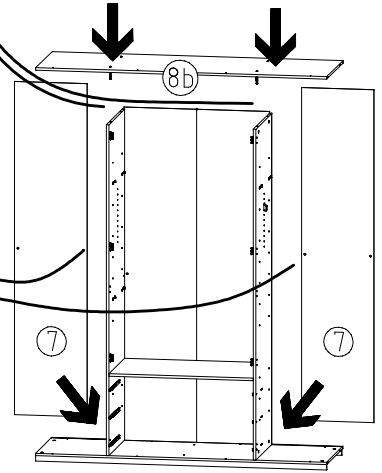
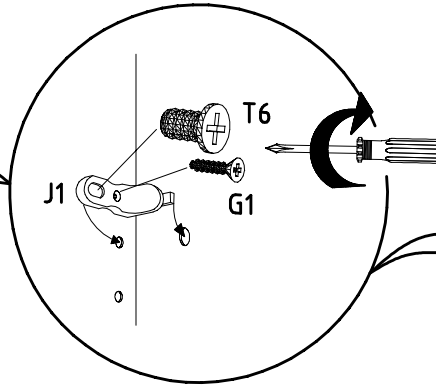
10



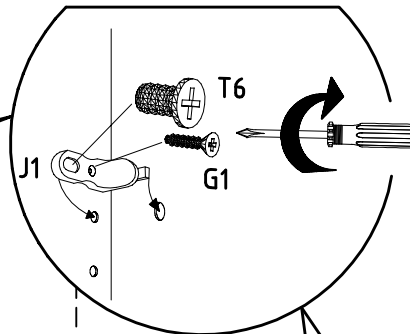
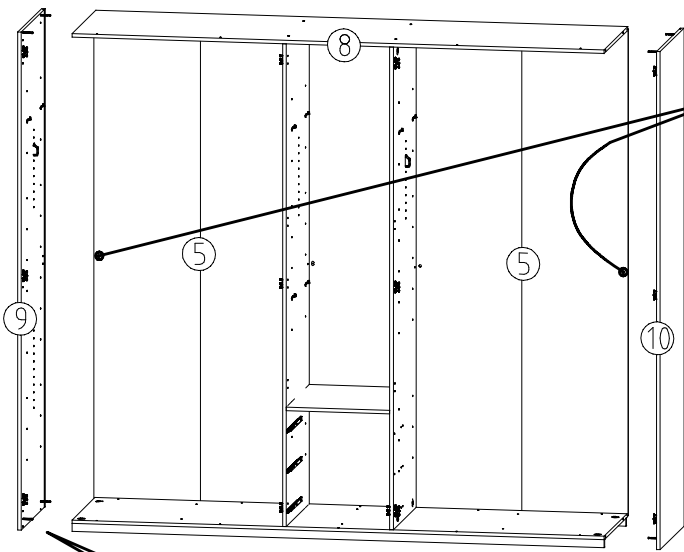
11


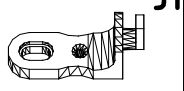
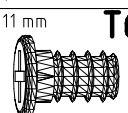
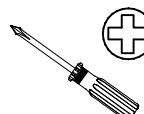
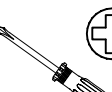


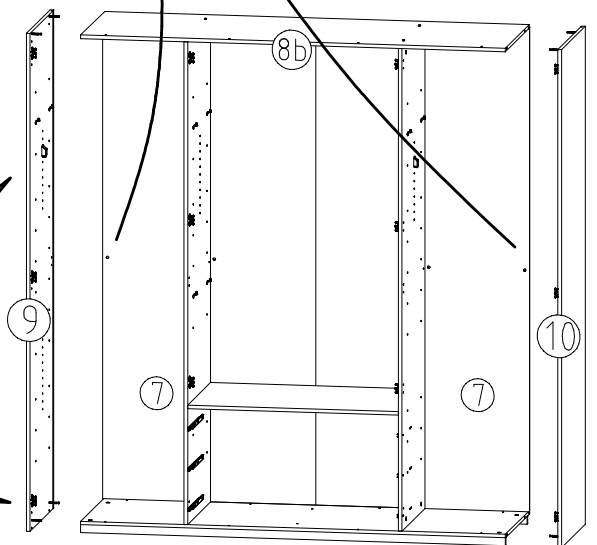
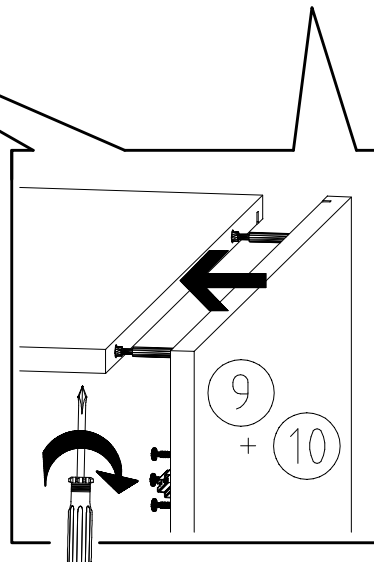
 111 174	J1 M6 x 11 mm	 121 181	T6
	 3,5 x 15 mm	 121 370	G1



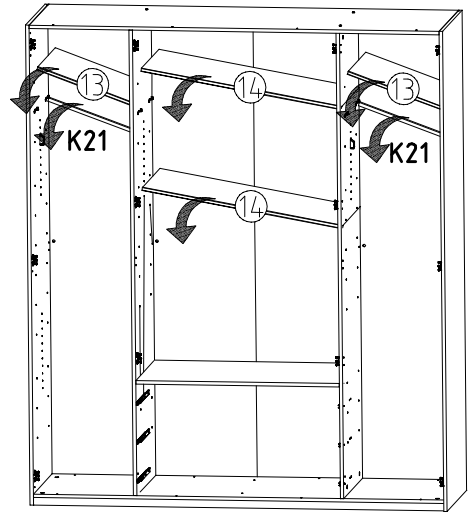
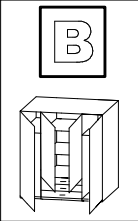
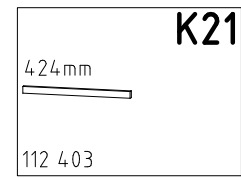
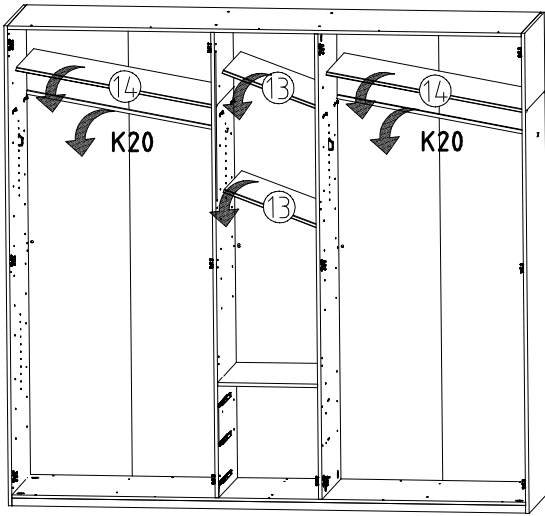
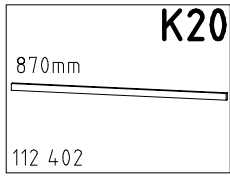
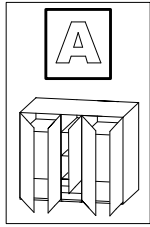
12



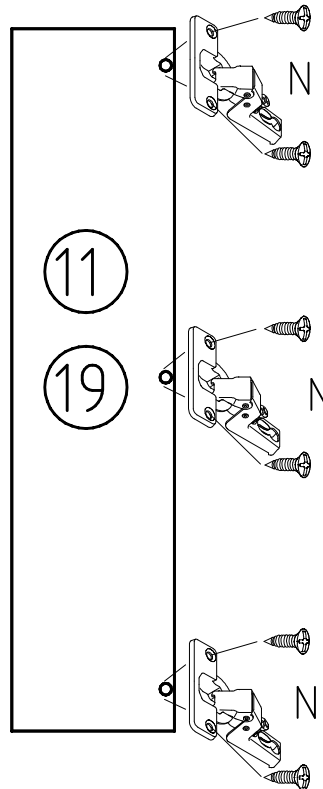
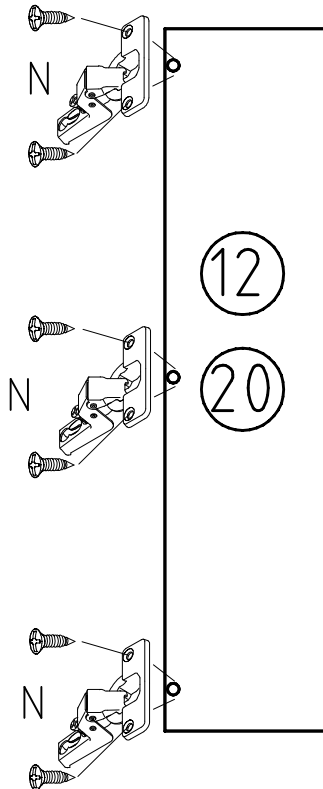
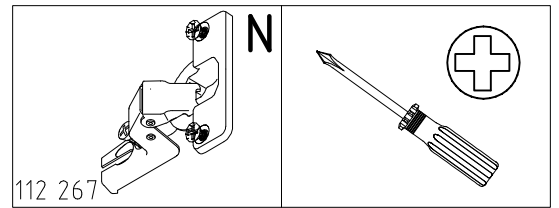
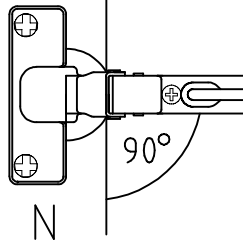
 121 370	3,5 x 15 mm	G1
 111 174	J1	M6 x 11 mm
 121 181	T6	
		G1

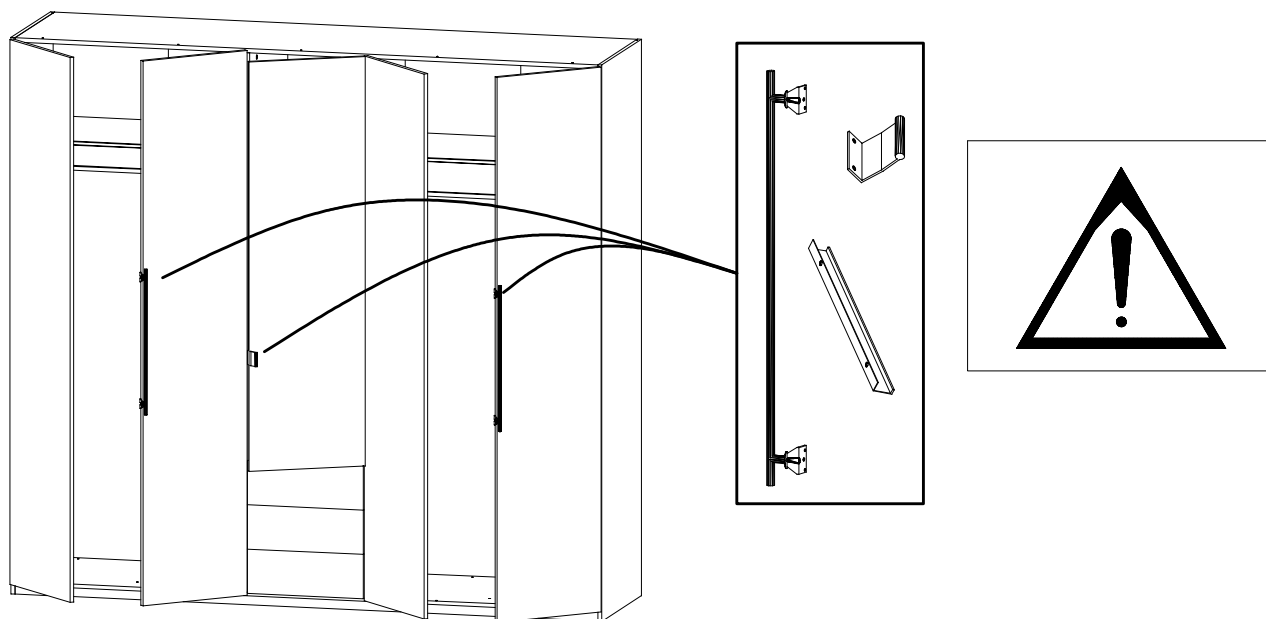
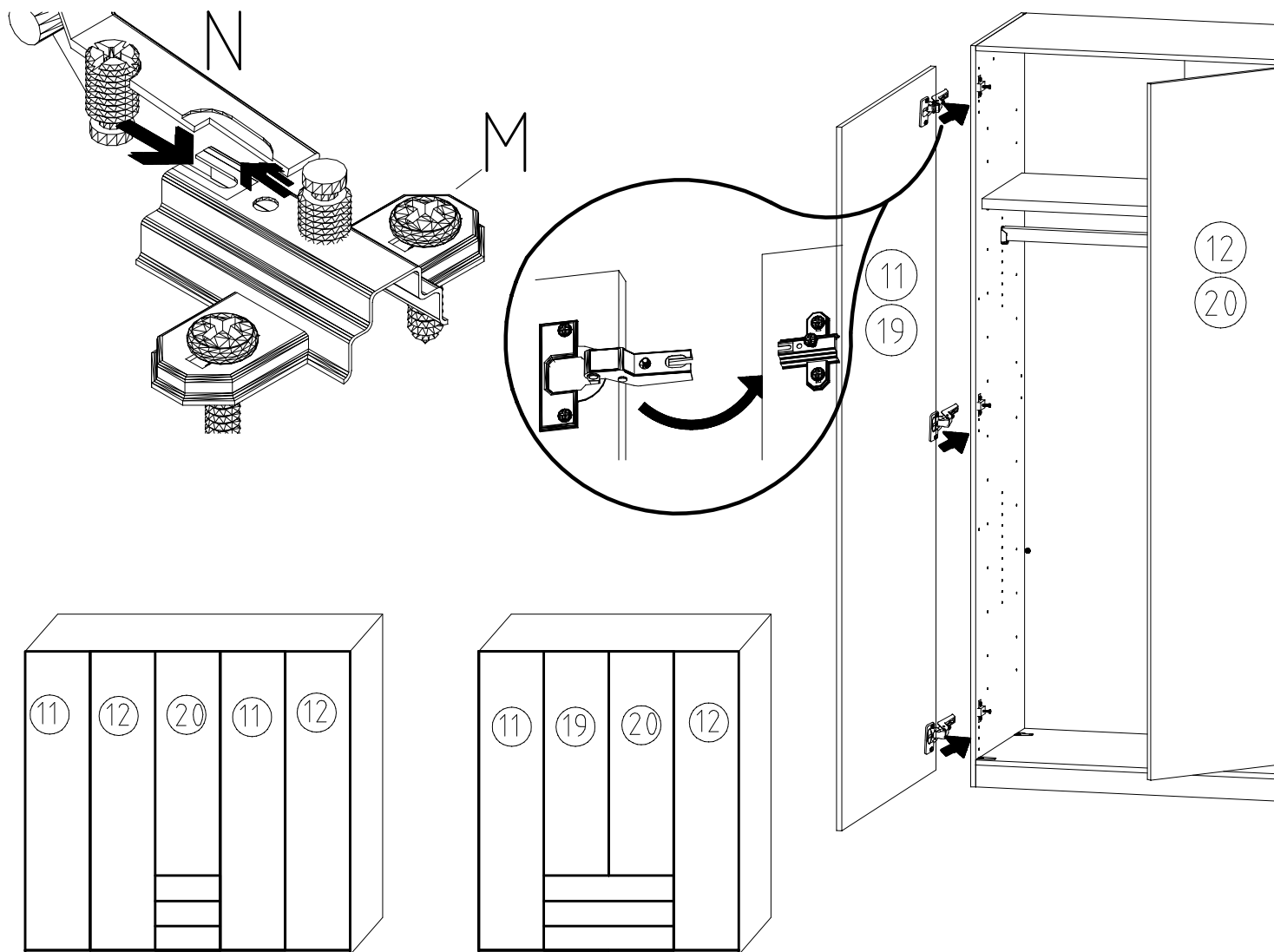


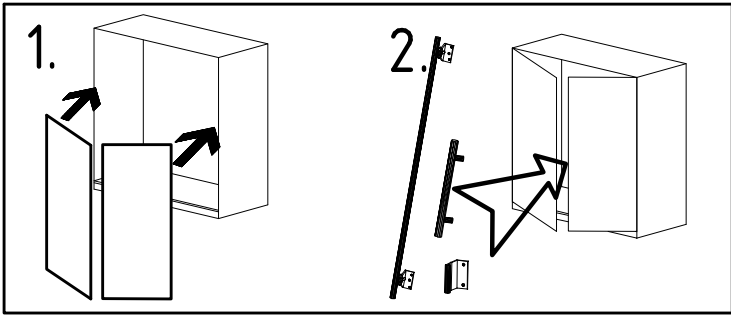
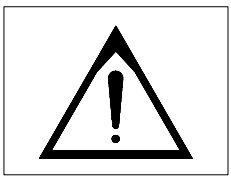
13



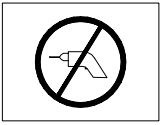
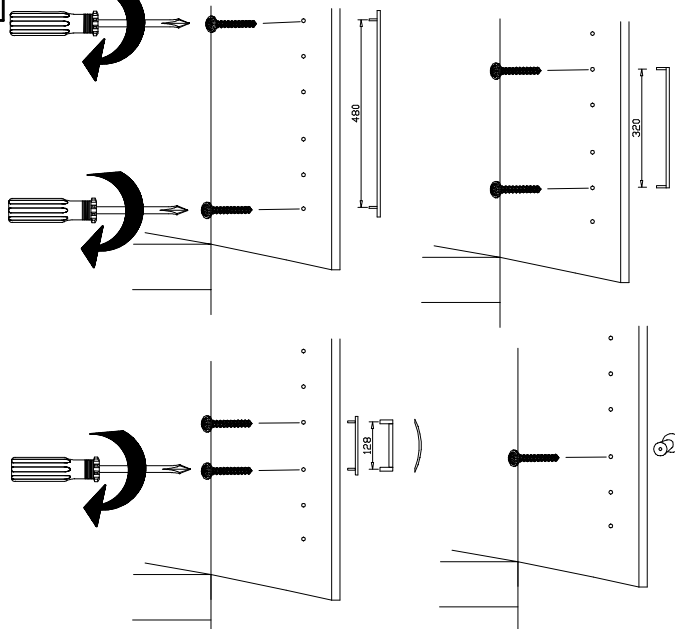
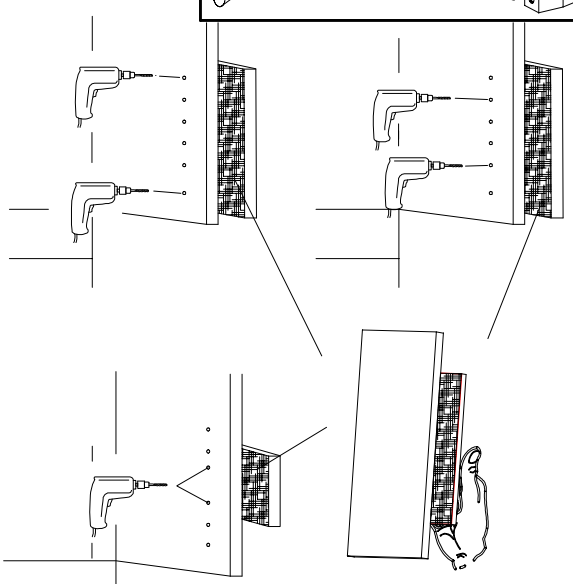
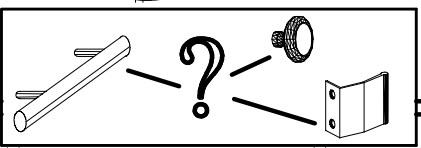
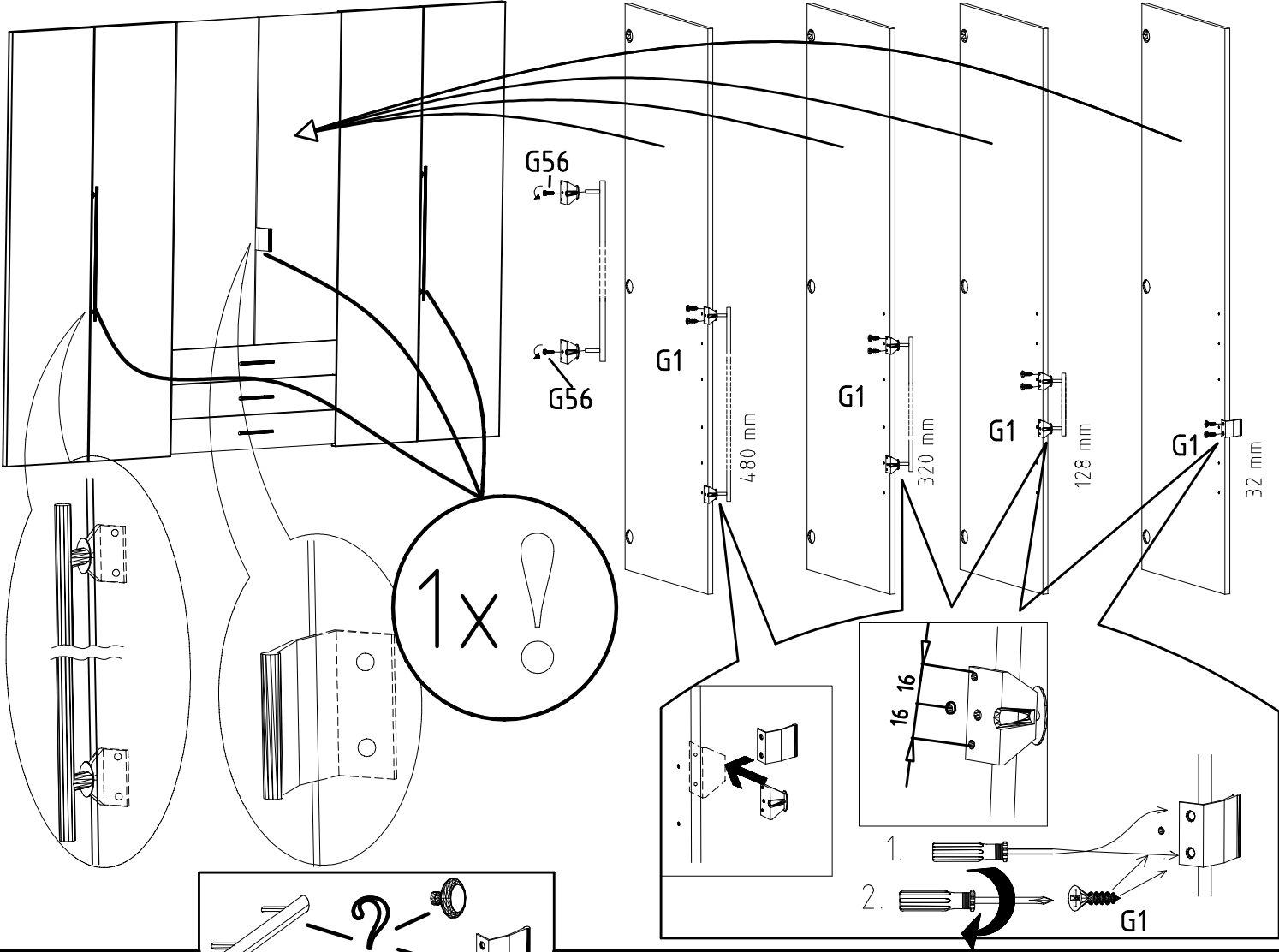
14







3,5 x 15 mm 121 370	G1	4,0 x 12 mm 122 625	G56
----------------------------	----	----------------------------	-----



 SP27 4 X 27mm 122620 4,0x22 G49 122 609

