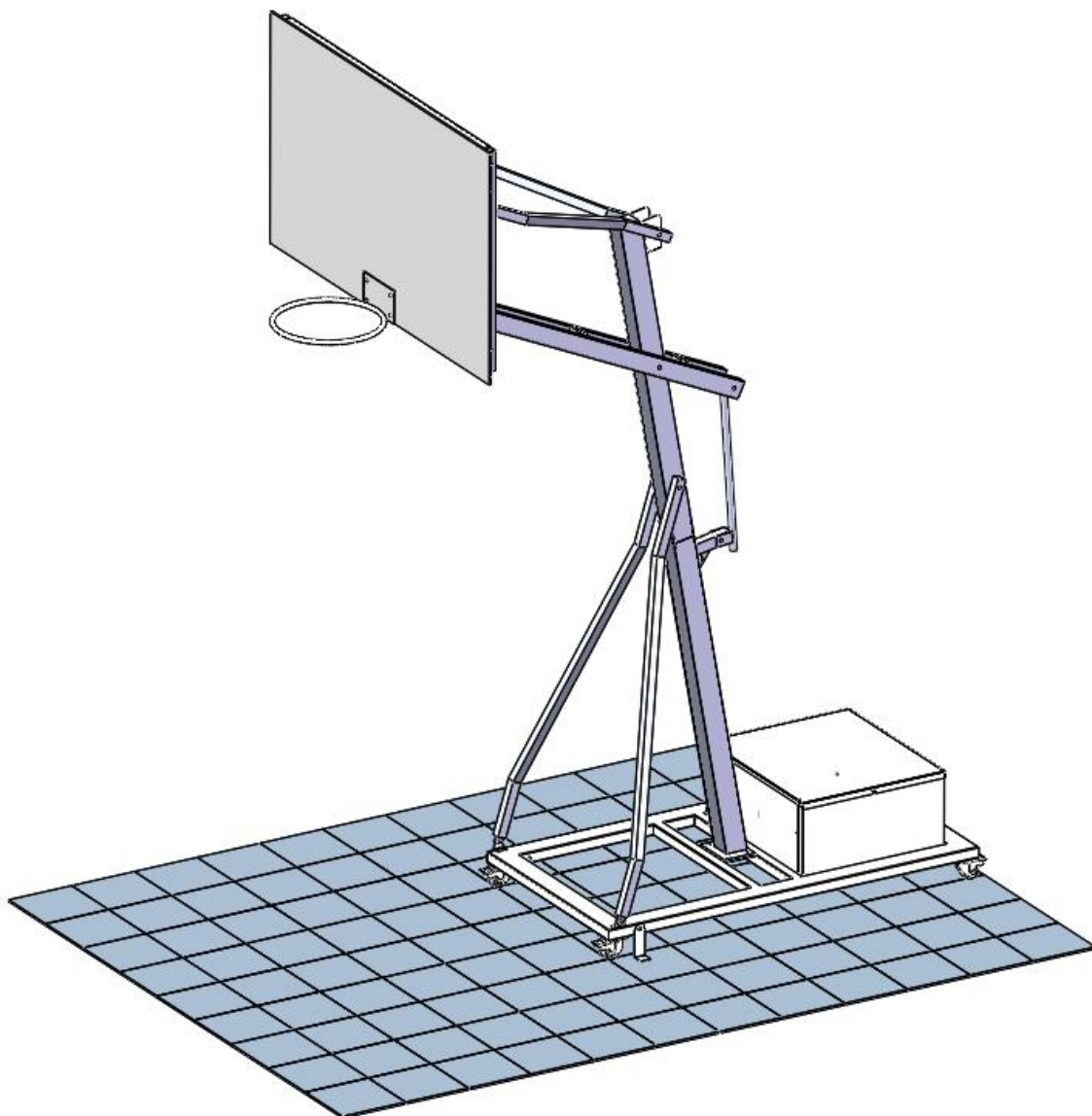

Assembly instructions for mobile basketball stand

Modle: K1824-M



Before You Start

Before installation, please confirm that the installation location complies with local safety regulations and site requirements. Carefully read this manual; the important information and tips contained therein will make your installation process more convenient and efficient.

This manual contains complete installation instructions for the corresponding model of basketball hoop. Please read all steps thoroughly before installation and strictly follow the sequence during assembly. At the same time, check the quantity of all parts to ensure they match the parts list.

Choose a dry and windless day for installation. Do not operate in severe weather such as strong winds or heavy rains; take anti-slip measures when the ground is wet and muddy, and lay anti-slip mats if necessary.

It is recommended that at least two people work together for installation: one person positions the parts (such as the backboard, bracket, etc.), and the other operates the fasteners and tools to improve efficiency and reduce risks.

SAFETY FIRST!

Safety precautions must be strictly followed throughout the installation process.

Be careful when handling and installing parts. Some parts (such as metal brackets and backboard edges) may have sharp corners. Please wear gloves, goggles, and long-sleeved clothing during installation and maintenance to prevent scratches.

Do not concentrate your entire weight on the backboard, basketball hoop, or unfixed brackets; when using a ladder, ensure it is fully extended and placed stably. Maintain balance when climbing and never place heavy objects on the ladder.



























Use installation tools with caution and be familiar with the operation methods of electric drills, wrenches, etc.

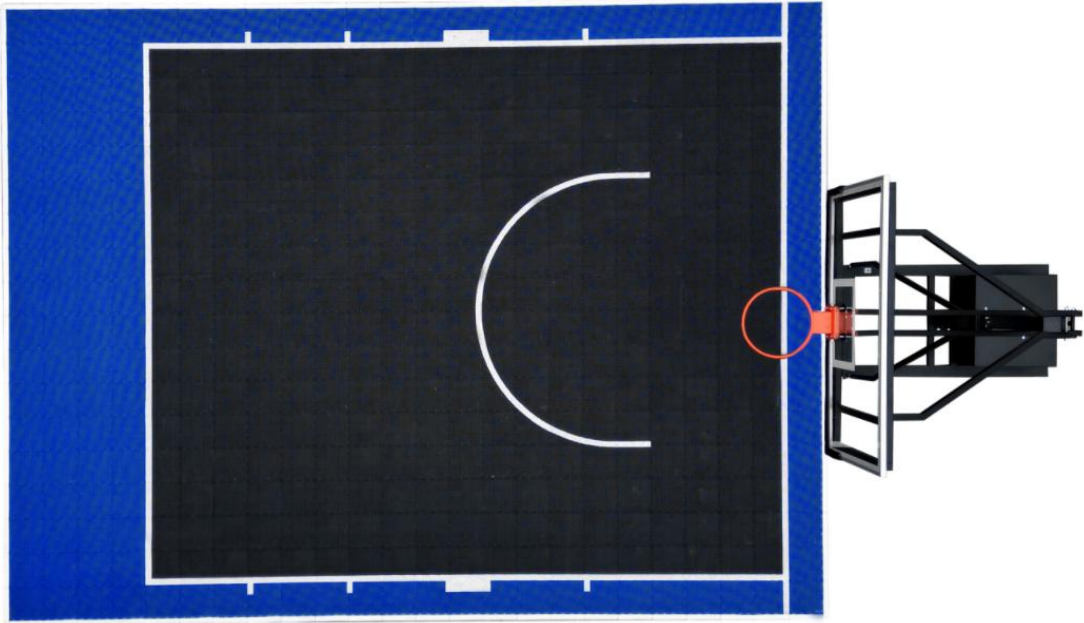
Do not proceed with installation if parts are missing or damaged (unfinished basketball hoops have poor stability and may topple over due to slight winds, causing accidents). Contact the supplier in a timely manner to supplement or replace the parts.

Never install the basketball hoop on a windy day. Parts such as the backboard and brackets are prone to shaking due to wind, which increases installation difficulty and may cause parts to fall off or personnel injury.

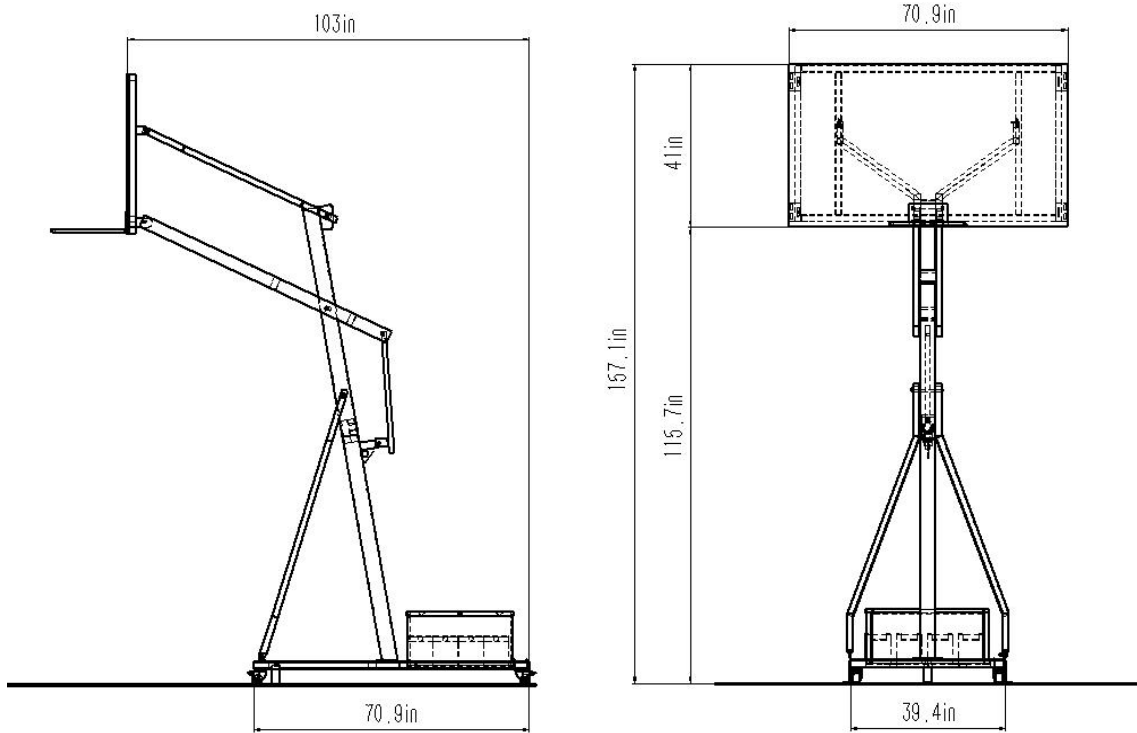
Warranty Requirements

Clean the surface of the basketball hoop with a water pipe and a soft nylon brush every year to remove dust and stains and extend its service life.

Item no.	Reference Image	Qty.	Item no.	Reference Image	Qty.
01	 39.4*70.9"	1	14	 28*13.8"	2
02	 Foot with wheels	4	15	 31*27"	1
03	 Connecting plate	3	16	 27*31"	1
04	 7.8*63"	1	17	 M8*1.18"	8
05	 70.8"	2	18	 M10*4.72"	3
06	 3.9*59"	1	19	 M14*1.18"	4
07	 7.3*70"	1	20	 M10*1.18"	4
08	 1	1	21	 M14*8"	4
09	 41.3*70.8"	1	22	 M14*4.7	3
10	 39.3*67.8"	1	23	 M10*2.36"	14
11	 5.9*9.8"	1	24	 M12*5.5"	4
12	 53"	2	25	 M6*0.47"	22
13	 27*13.78"	2	26	 suspended floor	1








The size of the suspended floor configuration is 24.4FT in length and 18.4FT in width.

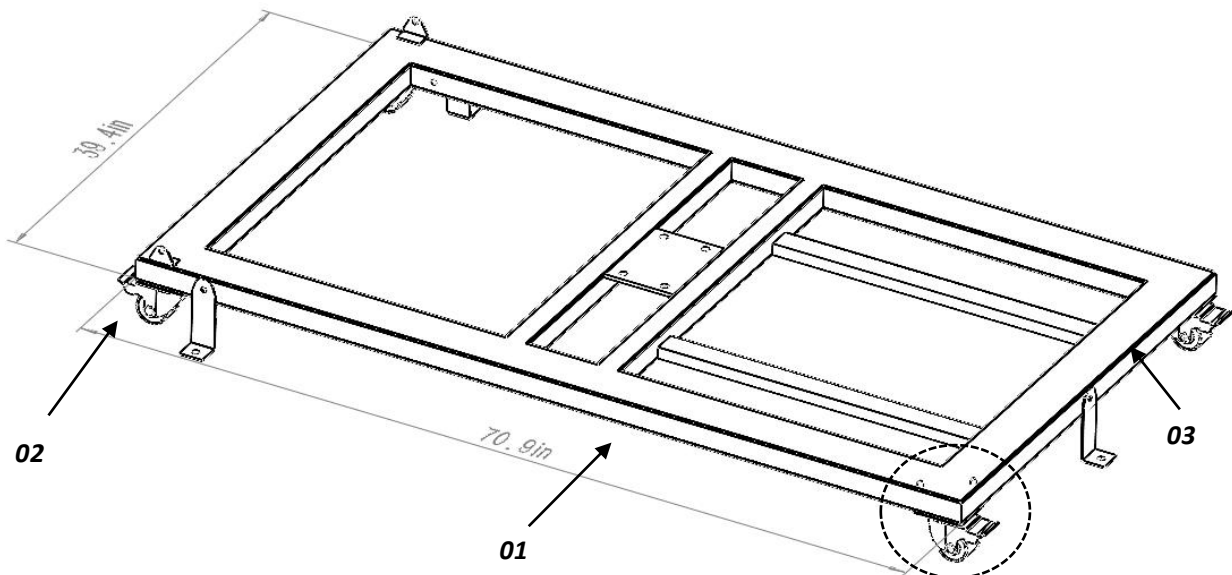


STEP 1

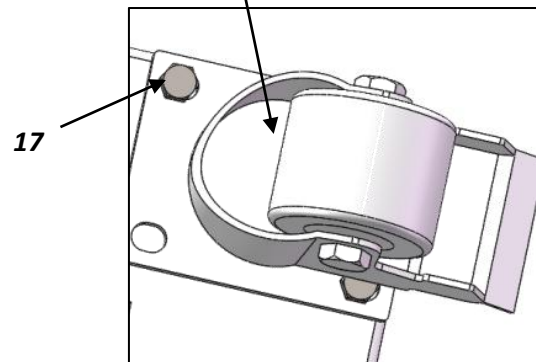
Base installation and fixation

Item no.	Reference Image	Qty.
01		1
02		4
03		3
17		8
18		3

This is a mobile basketball hoop. First, connect the casters to the bottom frame. The casters at the bottom can help us move it to the appropriate position more conveniently. The bottom of the casters is equipped with a fixing device, which can be used for temporary fixation.





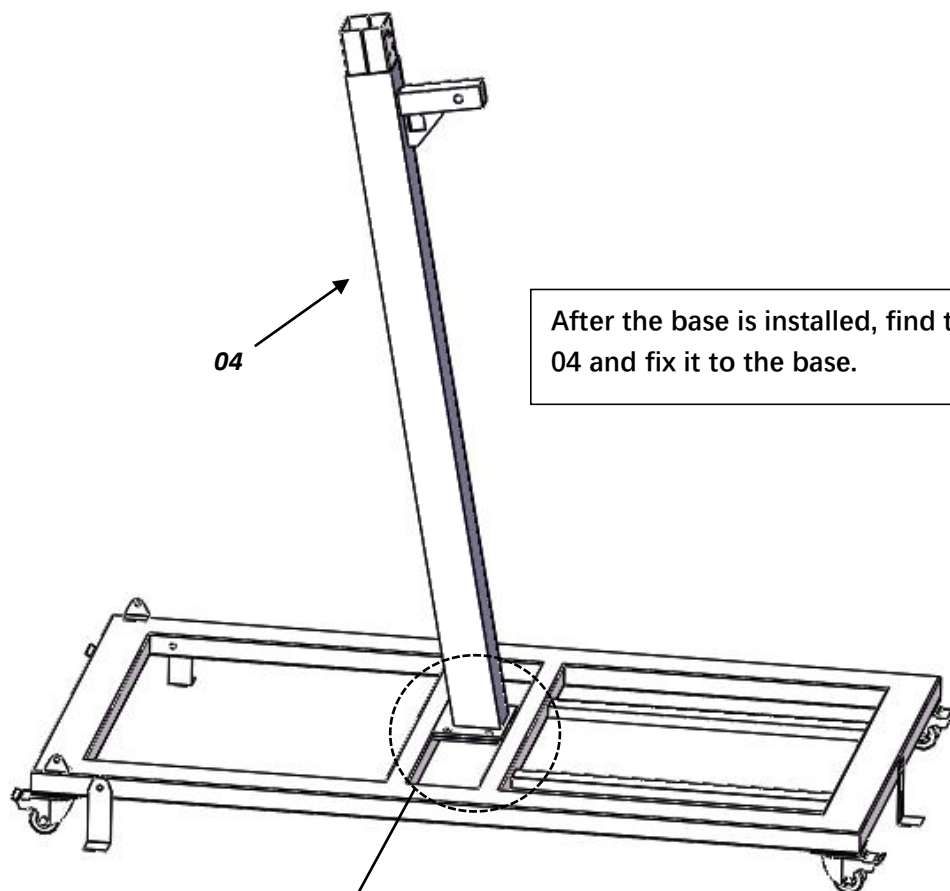
To ensure the basketball stand is safer to use, we have equipped Part No. 03. If necessary, it can be used to fix it to the ground. Install the base on the already laid foundation and level it with a spirit level. Tighten the nuts on the anchor bolts and fix the base to the foundation.



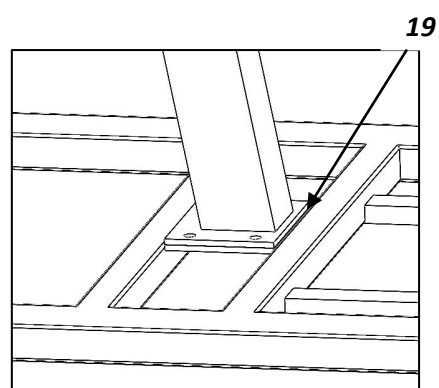
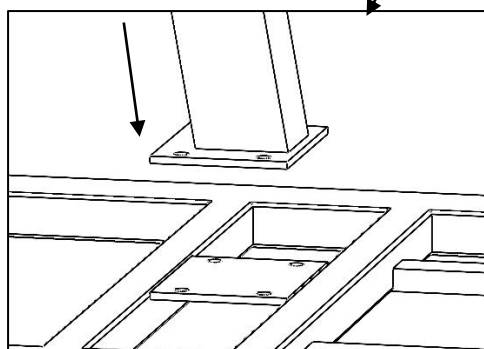
STEP 2

Installation and fixation of the lower

Item no.	Reference Image	Qty.
04		1
19		4








After the base is installed, find the number 04 and fix it to the base.

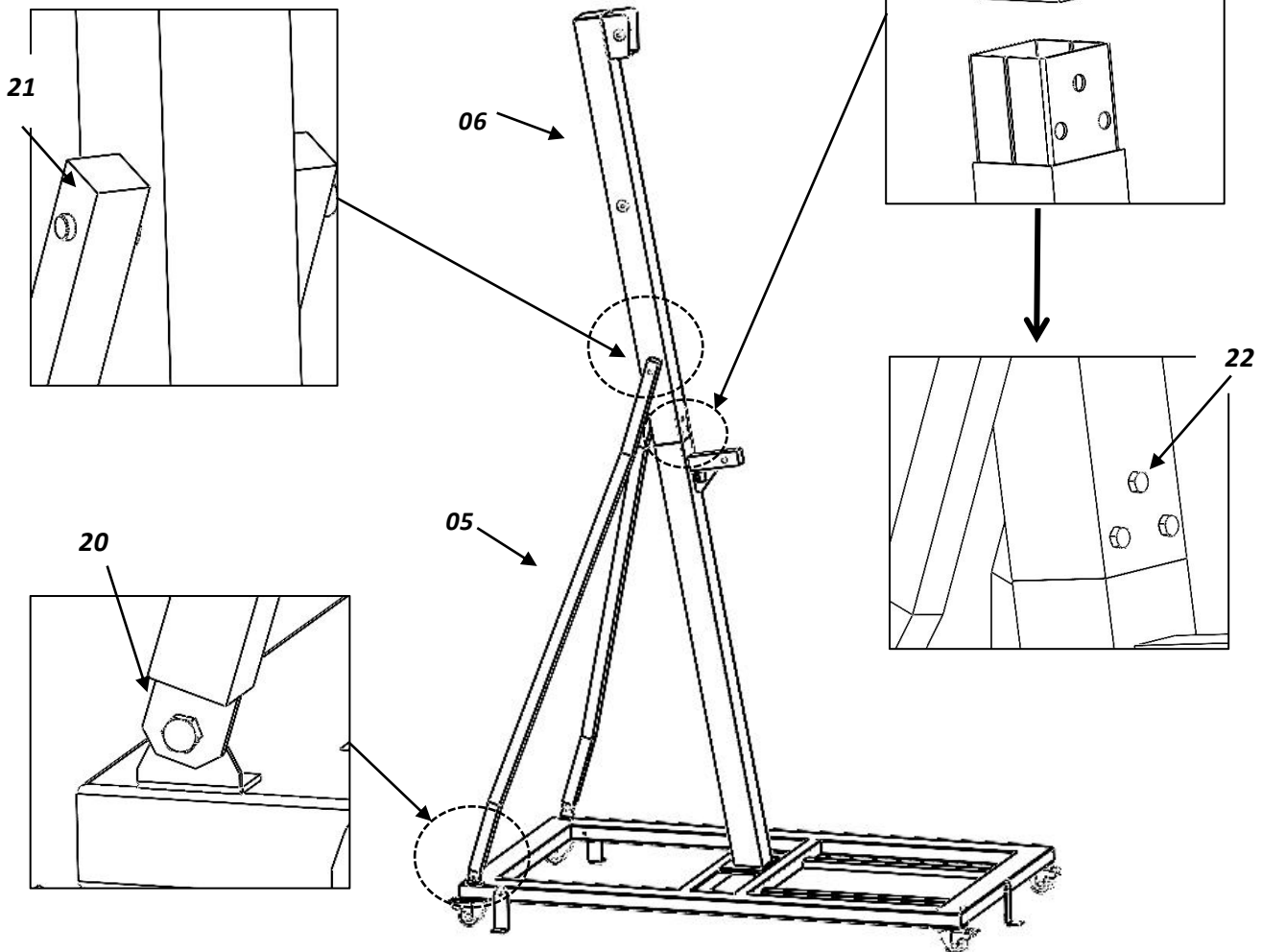


STEP 3

Installation and fixation of the upper column and the support feet




Item no.	Reference Image	Qty.
05		2
06		1
20		2
21		1
22		3

Next, install the upper support column and the inclined support column. First, install No. 06, and then install two No. 05 inclined support columns.

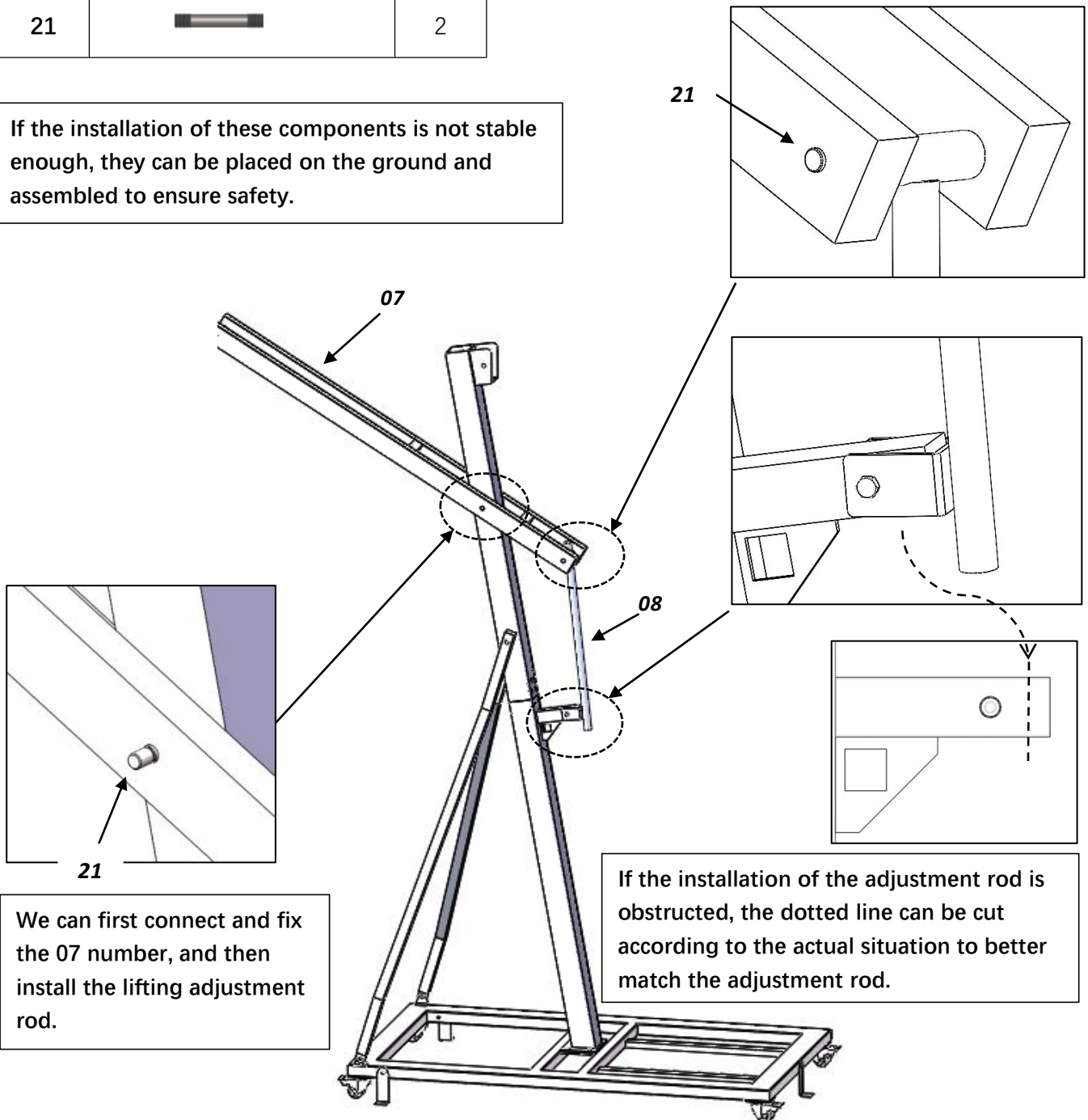


STEP 4

Installation and fixation of the lifting rod and the support structure

Item no.	Reference Image	Qty.
07		1
08		1
21		2

If the installation of these components is not stable enough, they can be placed on the ground and assembled to ensure safety.








We can first connect and fix the 07 number, and then install the lifting adjustment rod.

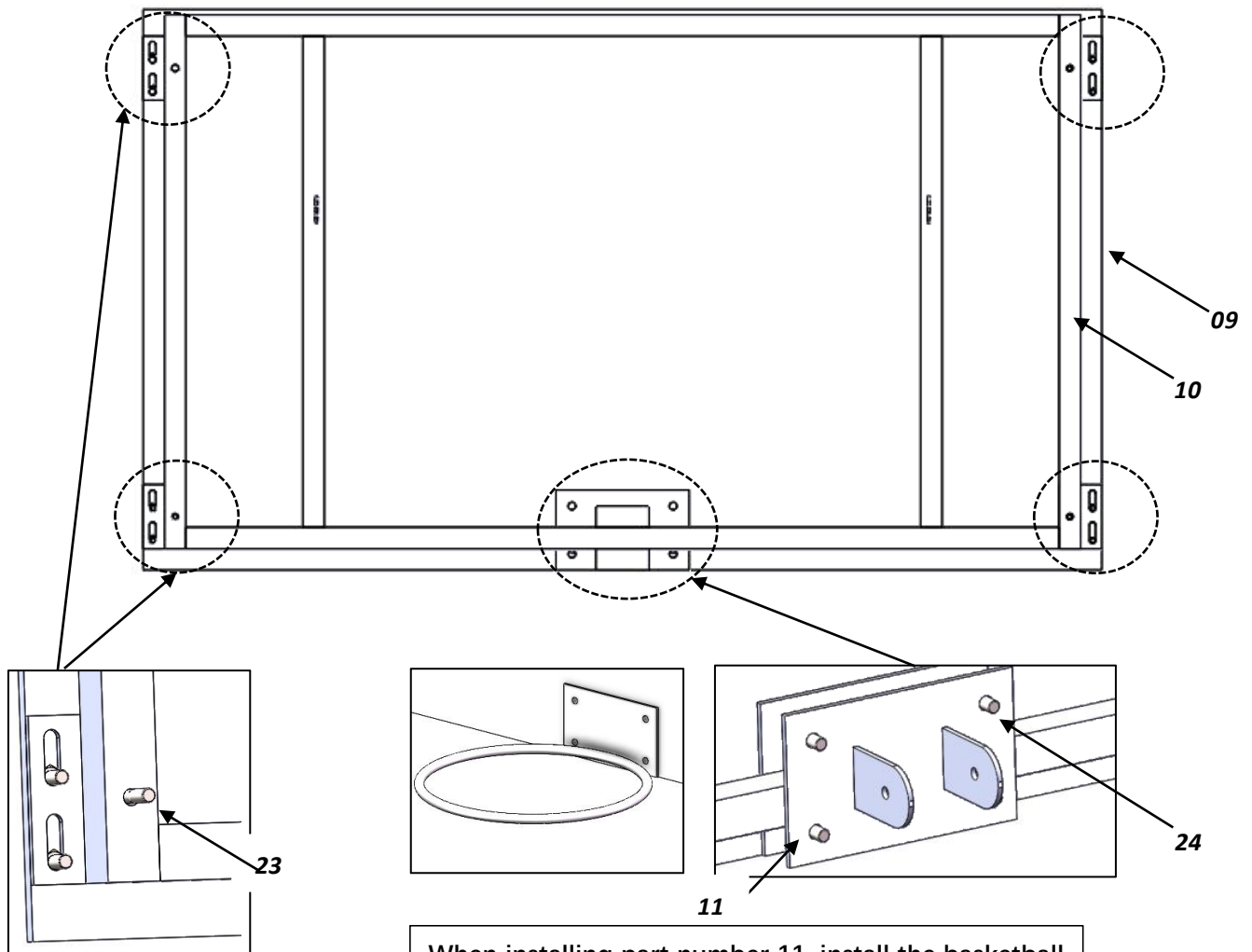
If the installation of the adjustment rod is obstructed, the dotted line can be cut according to the actual situation to better match the adjustment rod.

STEP 5

The fixation of the basketball hoop and the backboard

Item no.	Reference Image	Qty.
09		1
10		1
11		1
23		12
24		4





Next, install the glass backboard. Locate the parts numbered 09 and 10 and install them together. During the installation and transportation process, pay attention to protecting the glass backboard to prevent it from breaking.



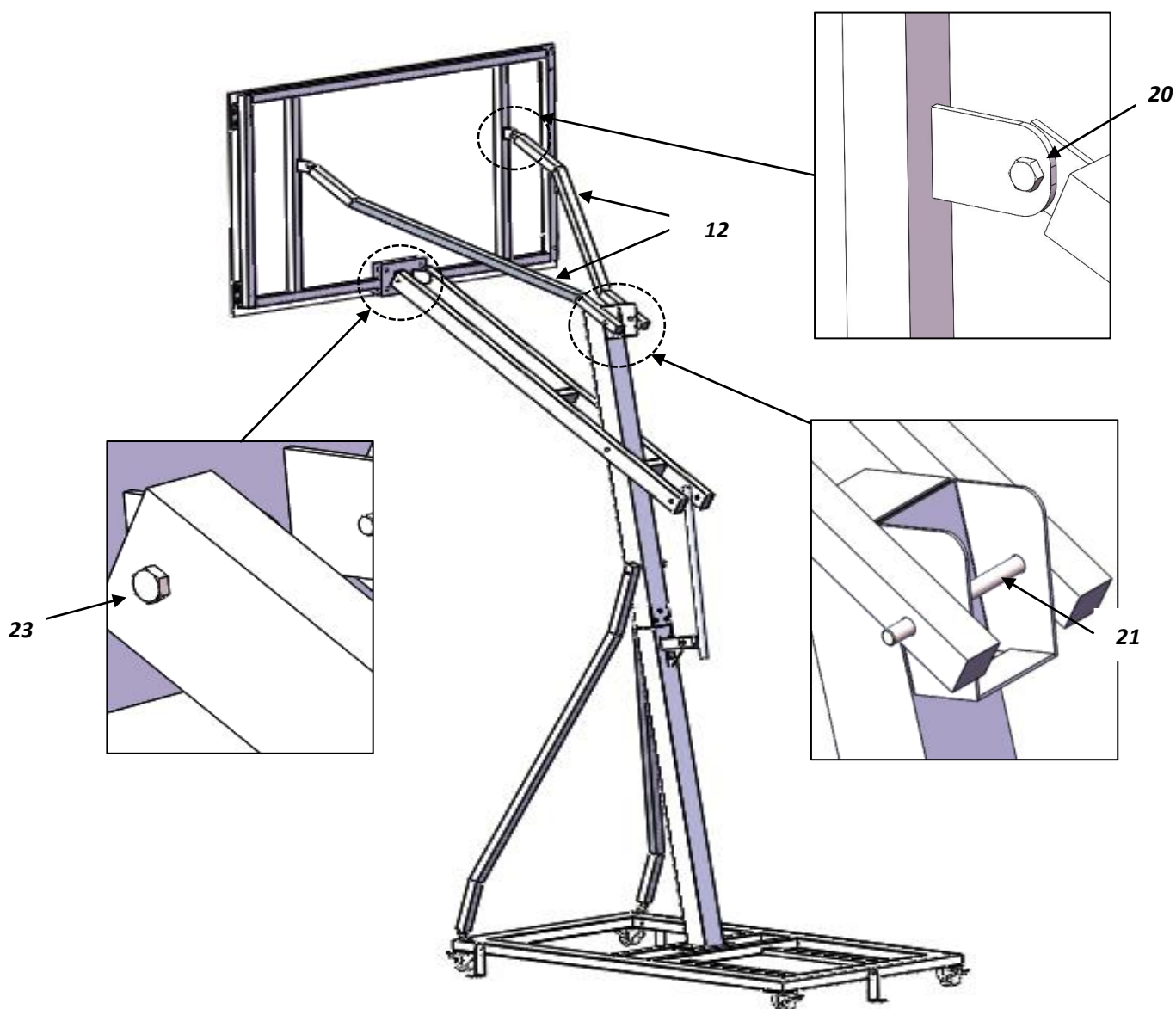
When installing part number 11, install the basketball hoop simultaneously.

STEP 6

Installation and fixation of the backboard and basketball hoop






Item no.	Reference Image	Qty.
12		1
20		2
21		1
23		2

After the glass backboard is installed, at least two people are needed to connect and fix the backboard to the main frame. The lifting adjustment rod can be adjusted to a suitable position to facilitate installation. When installing, make sure the base is firmly fixed first to prevent the backboard from being unstable and prone to toppling over after installation.



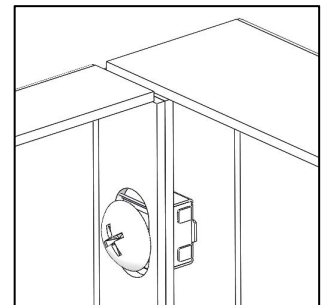
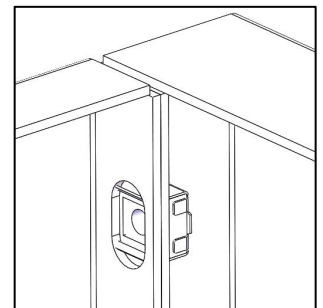
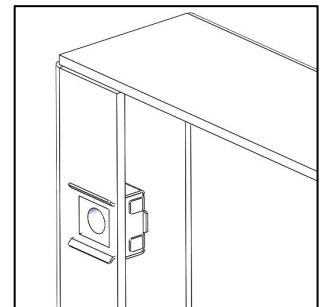
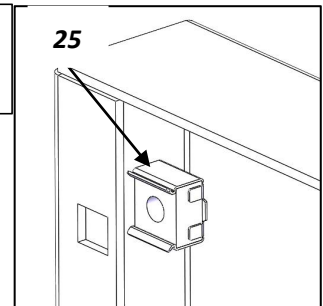
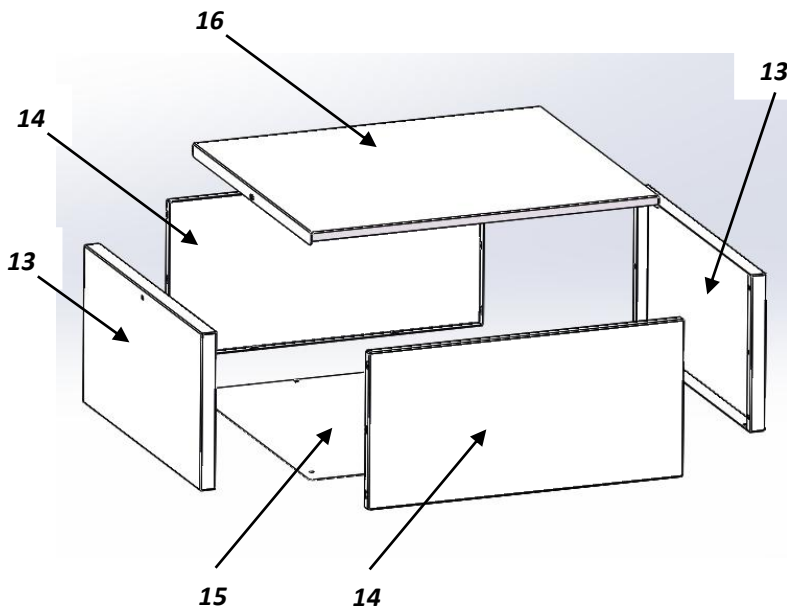
STEP 7

Install the weight box

Item no.	Reference Image	Qty.
13		2
14		2
15		1
16		1
25		22


This is the installation of the weight box. If there was no appropriate fixing method when installing the basketball hoop in the previous step, you can first assemble this one and place approximately 250kg (573lb) of weight in it to provide protection for the basketball hoop.

Demonstration of installing snap-on screws.

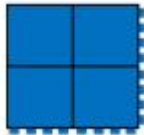
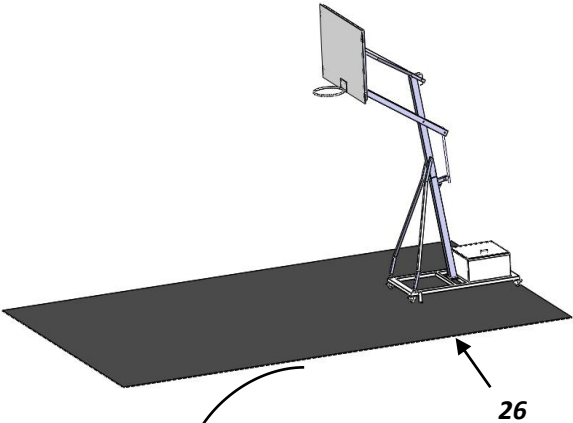
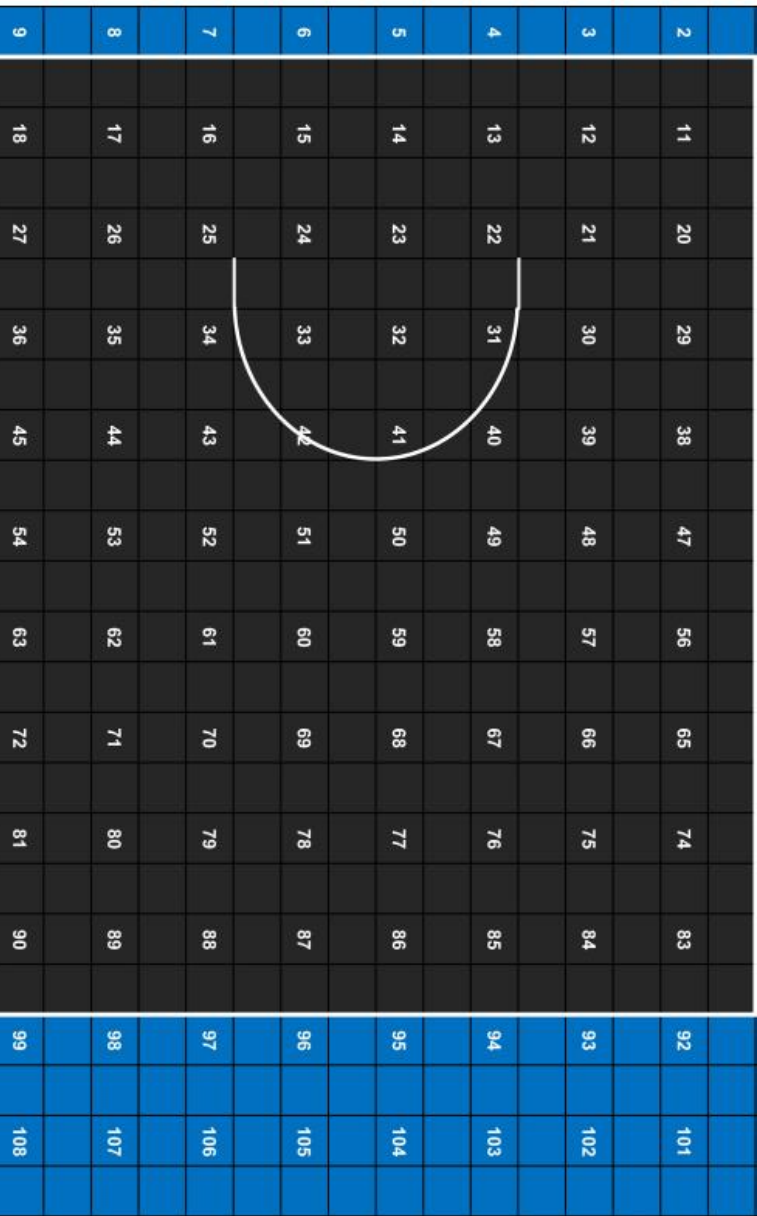


STEP 8

Laid flooring

Item no.	Reference Image	Qty.
26		1

Schematic diagram of the installation sequence for suspended floor panels.



When laying the floor, place it in the direction indicated above, install it in the order of the serial numbers, and make appropriate adjustments.