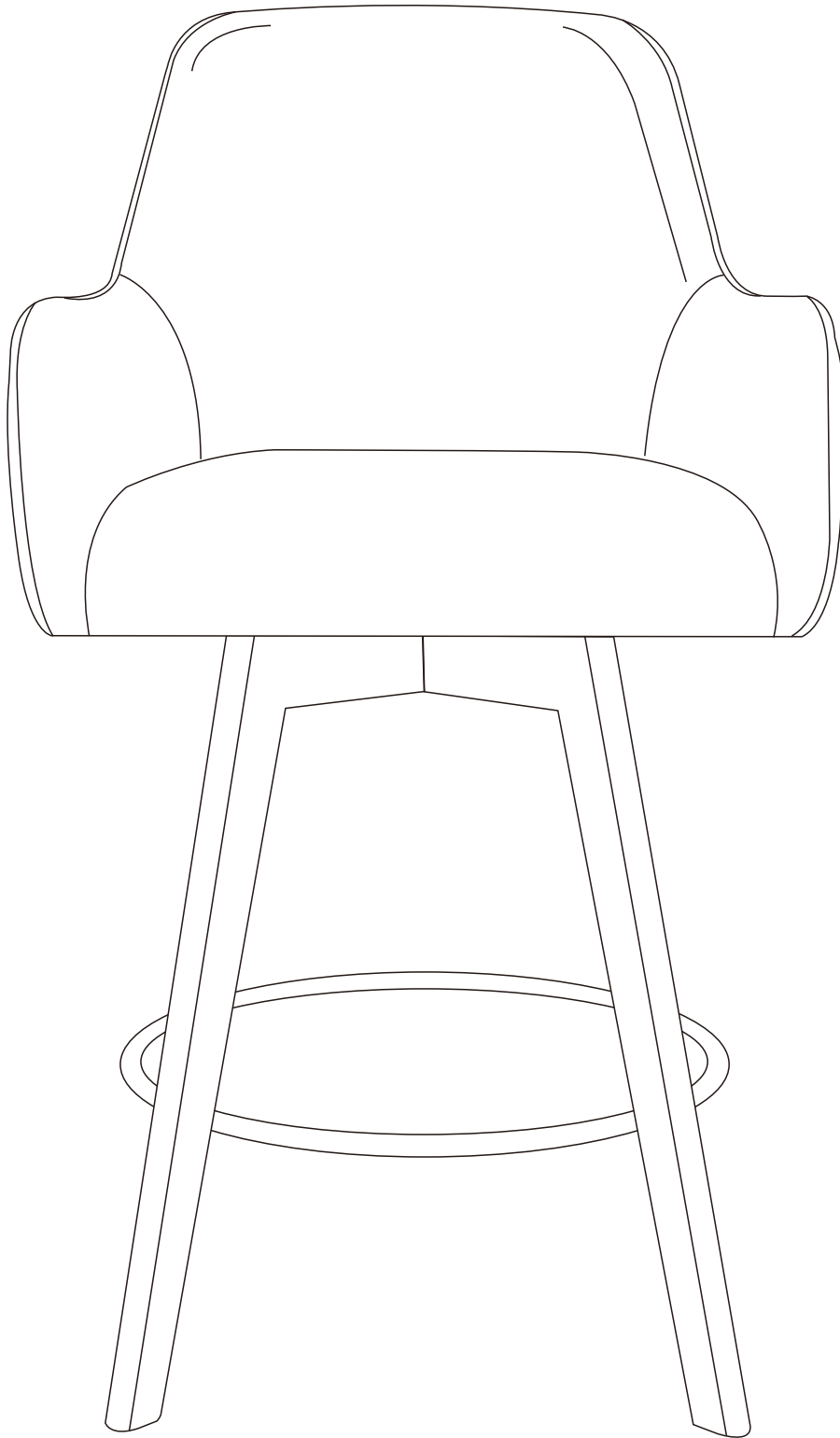


Assembly Instruction

Counter & Bar Height Swivel Stool



Thank you for choosing our product.

We are committed to delivering exceptional customer service to ensure your satisfaction.

Parts Confirmation:

- Upon unpacking, verify that all parts listed in the manual are present.
- If any parts are missing or incorrect, please notify us immediately. We will promptly arrange replacements, or other solutions to ensure the issue is resolved.

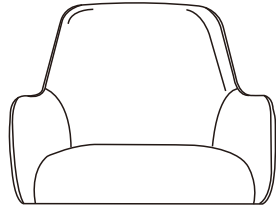

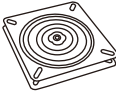

Assembly Guidance:


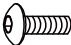
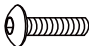
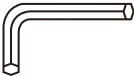
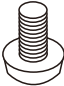

- Carefully review the instruction manual before assembly.
- The manual has detailed steps, but it might not cover all situations. If you need help or have questions, contact us and we'll respond quickly.

Shipping Note

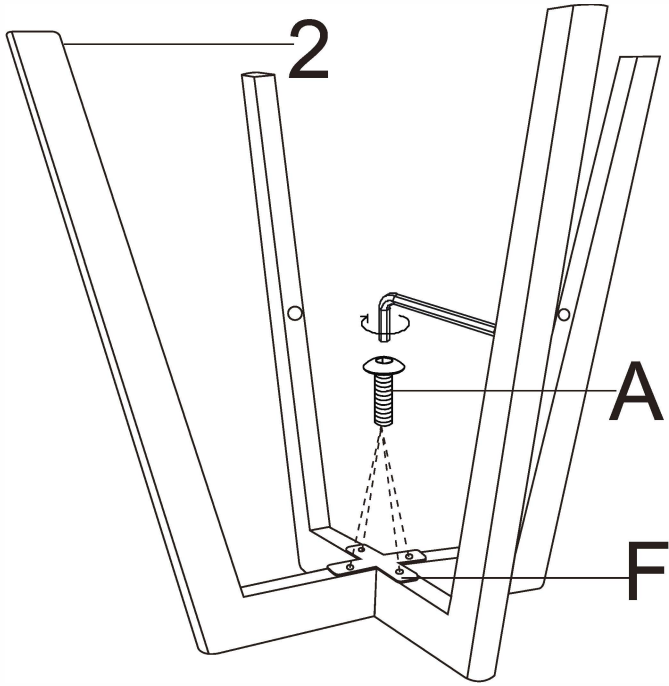
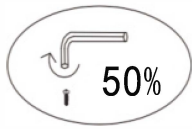
- If you purchased multiple packs, kindly note that the items in your order might come in separate packages. We appreciate your patience during delivery.

Parts List

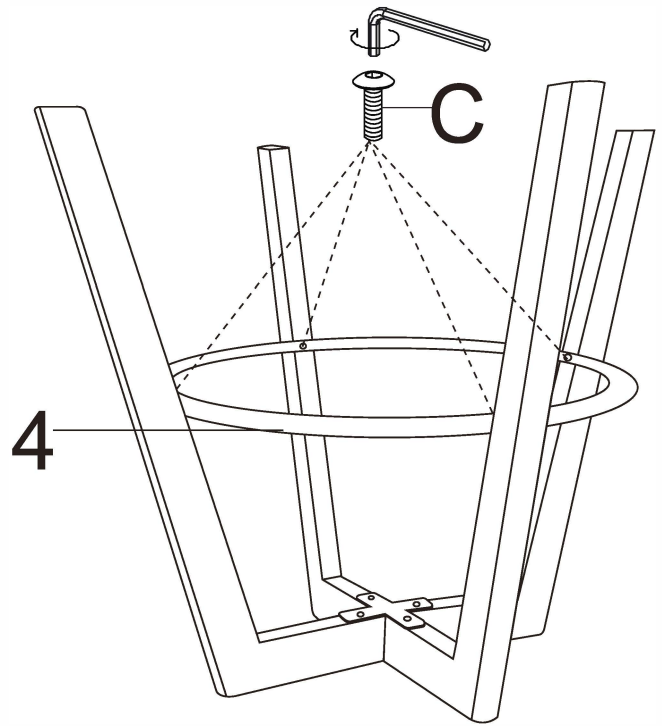
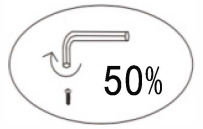
Number	Name	Part	Qty
1	Seat Back		X1PC
2	Wood Legs		X4PC
3	Swivel Gear		X1PC
4	Footrest		X1PC

Number	Hardware	Part	Qty
A	M6x13mm		X8+1EXT
B	M6x16mm		X4+1EXT
C	M6x25mm		X4+1EXT
D	Washer		X1PC
E	Adjustable Foot		X4+1EXT
F	Metal Plate		X1PC

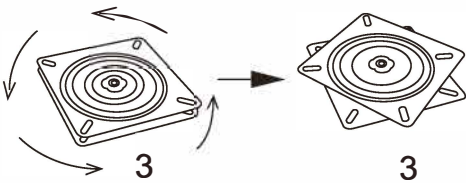
01



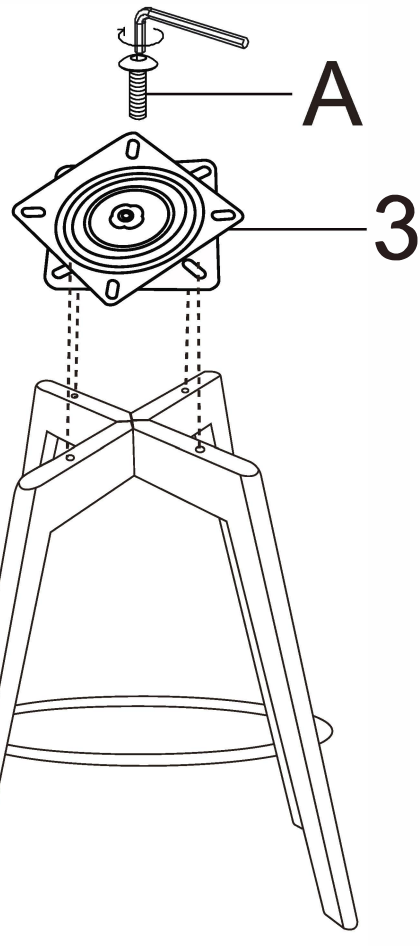
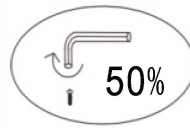
02



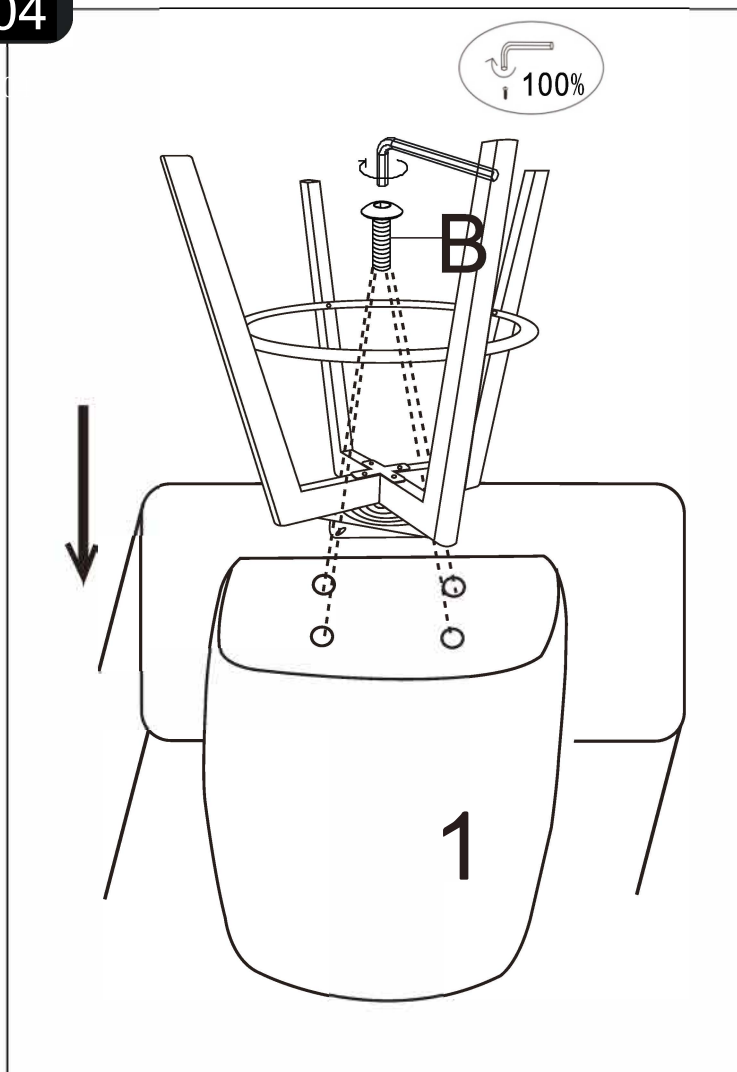
03



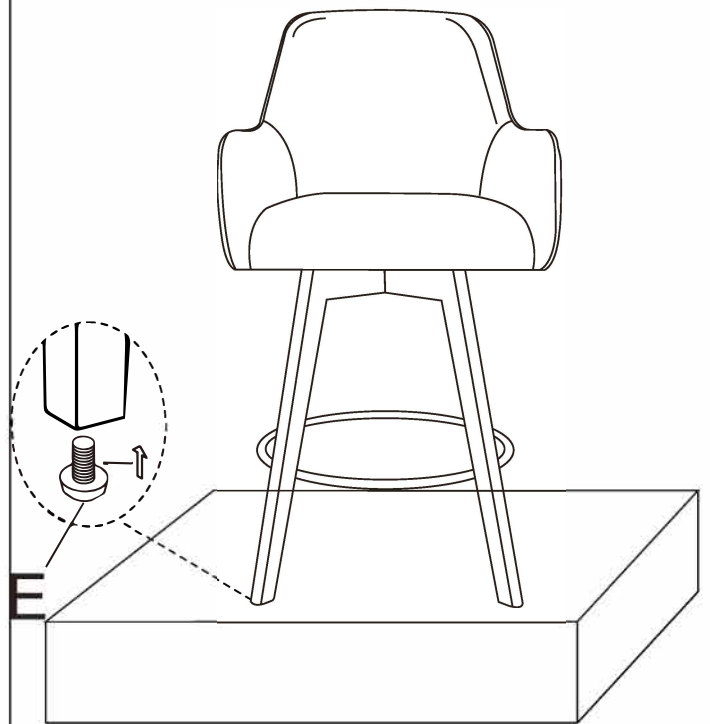
Swivel part (3) before install



Finally tighten all screws to a depth of 100%.






Assembly complete







Note:

Each leg has an adjustable foot leveler to help level your chair. Rotate it to ensure the chair is flat on the floor!

Safety Guidelines

-  Periodically inspect and tighten bolts to prevent loosening during use.
-  Ensure all hardware remains securely fastened before using.
-  Do not allow children to climb or jump on the stool.

Care Instructions

-  Avoid placing hot items, direct sunlight, or harsh chemicals on the furniture
-  Wipe dust with a soft, clean, lint-free cloth.
-  Use adjustable foot levelers on each leg to stabilize the chair on uneven floors.
-  Note: Indoor Use Only: Do not place the furniture outdoors or in damp environments.

Thank you for your purchase